

6  
5  
4  
3  
2  
1

No.01

Oki Data CONFIDENTIAL

**[CAUTION]**  
**This document is 'Oki-Data-CONFIDENTIAL'.**  
**It is prohibited to move the data of this document to another media from a device to read this document.**  
 Only the authorized members of Oki Data have the right to access this document.  
 Please do not allow anyone who is not authorized by the Oki Data document manager to access this document.

# Pro1050/Pro1040 series Color LED Page Printer Disassembly for Maintenance

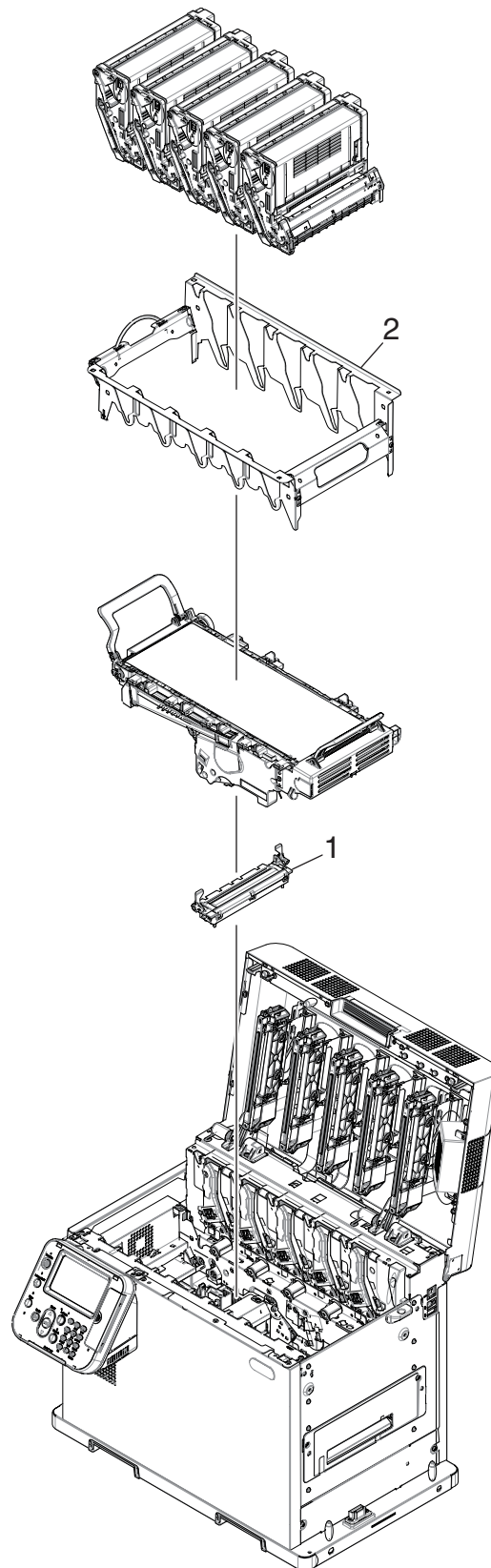
[Rev. 8]

Related drawings

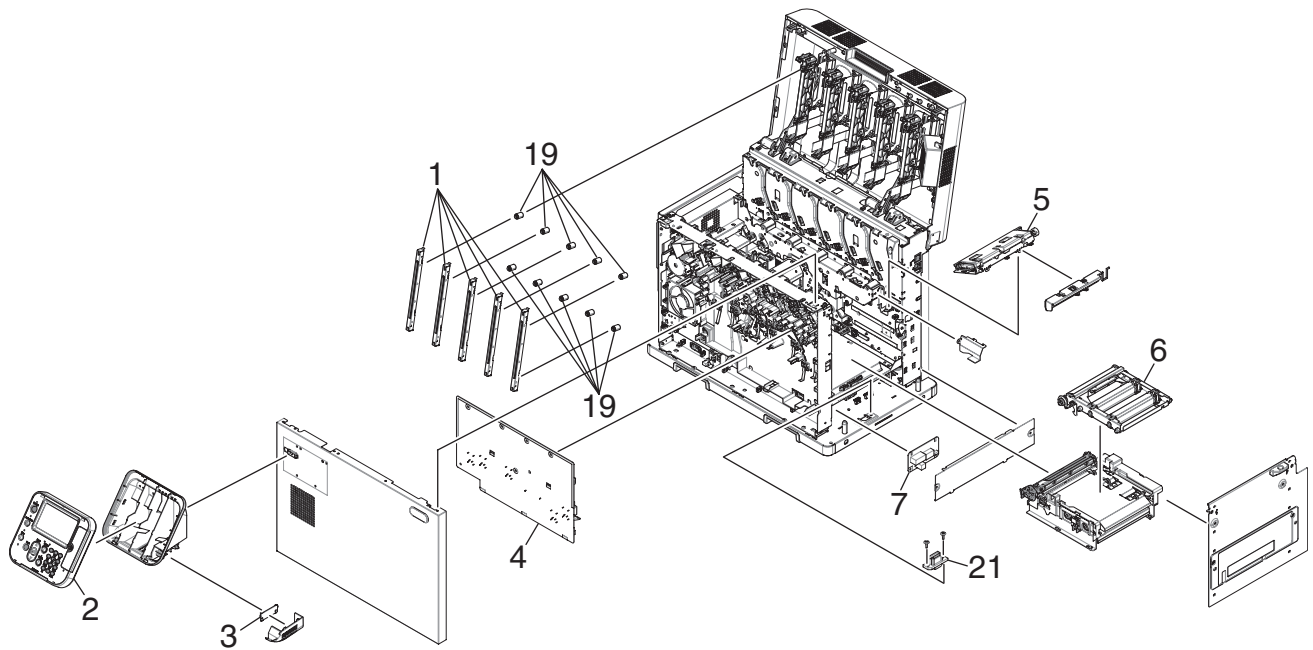
Drawing No.	Name
46672001TH	Pro1050/Pro1040 Maintenance Manual
46672001TR	Pro1050/Pro1040 RSPL

BOM		Use for		Certification Body	
Rev	Date	DCO No.	Contents	Design	Approval
4	2020-12-18	SFP-1077	Add General Assembly etc	Osamu Sato	Hidenori Ueda
5	2021-09-03	SK4-0018	Drawing Update	Osamu Sato	Hidenori Ueda
6	2022-03-28	SK4-0290	Add Guide-Assy,etc	Masaaki Sato	Hidenori Ueda
7	2022-07-07	SK4-0431	Add No.7 for [Unwinder] Unwinder-Unit	Masaaki Sato	Hidenori Ueda
8	2022-11-21	SK4-0600	Add No.4 for [Printer] Plate-Open-Side-Assy	Yoshitomo Sato	Hidenori Ueda
Approval			Design		Name
Yoshifumi Igari			Yoshifumi Igari		Pro1050/Pro1040 series Disassembly for Maintenance
Check					
Date			Drawing No.		
2018-11-14			Oki Data Corporation		46672001TL

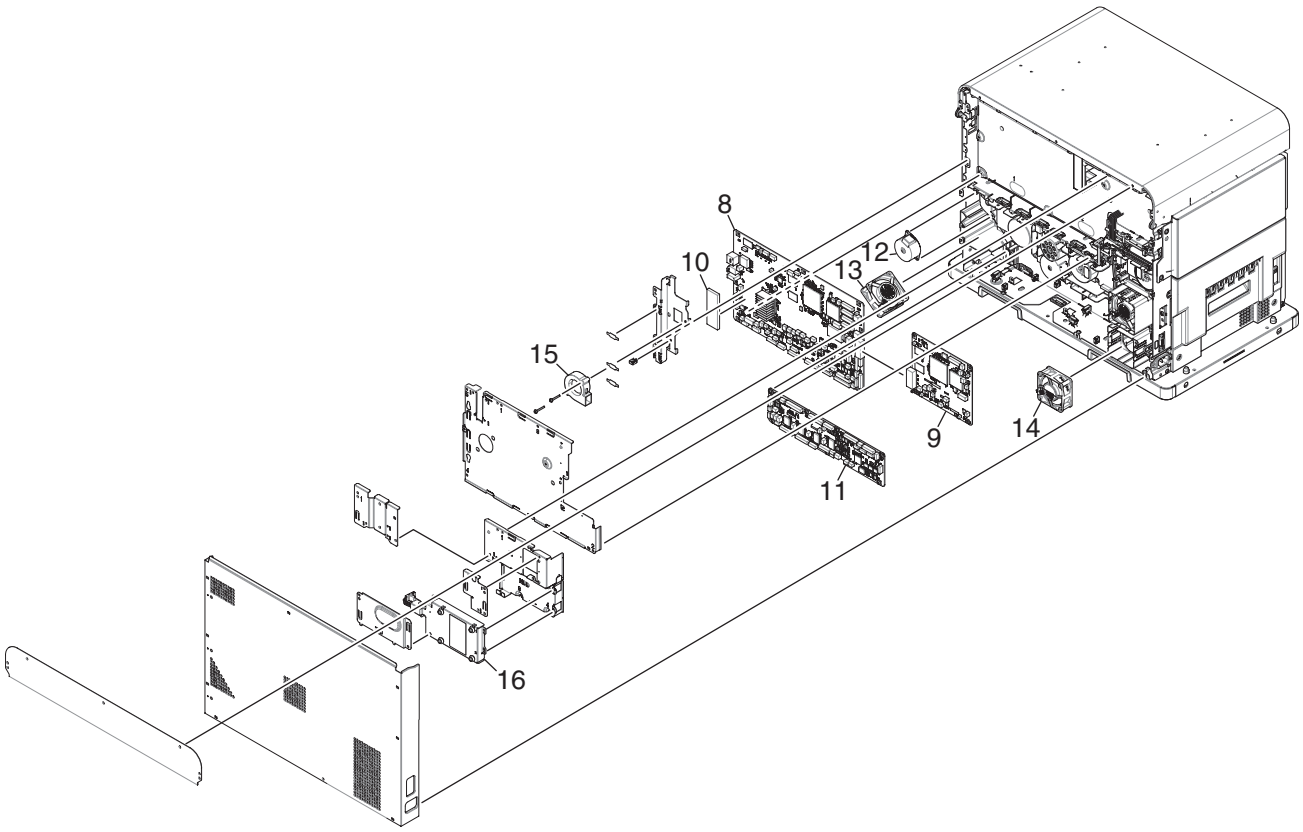
# [Printer] General Assembly



# [Printer] Printer Unit-1

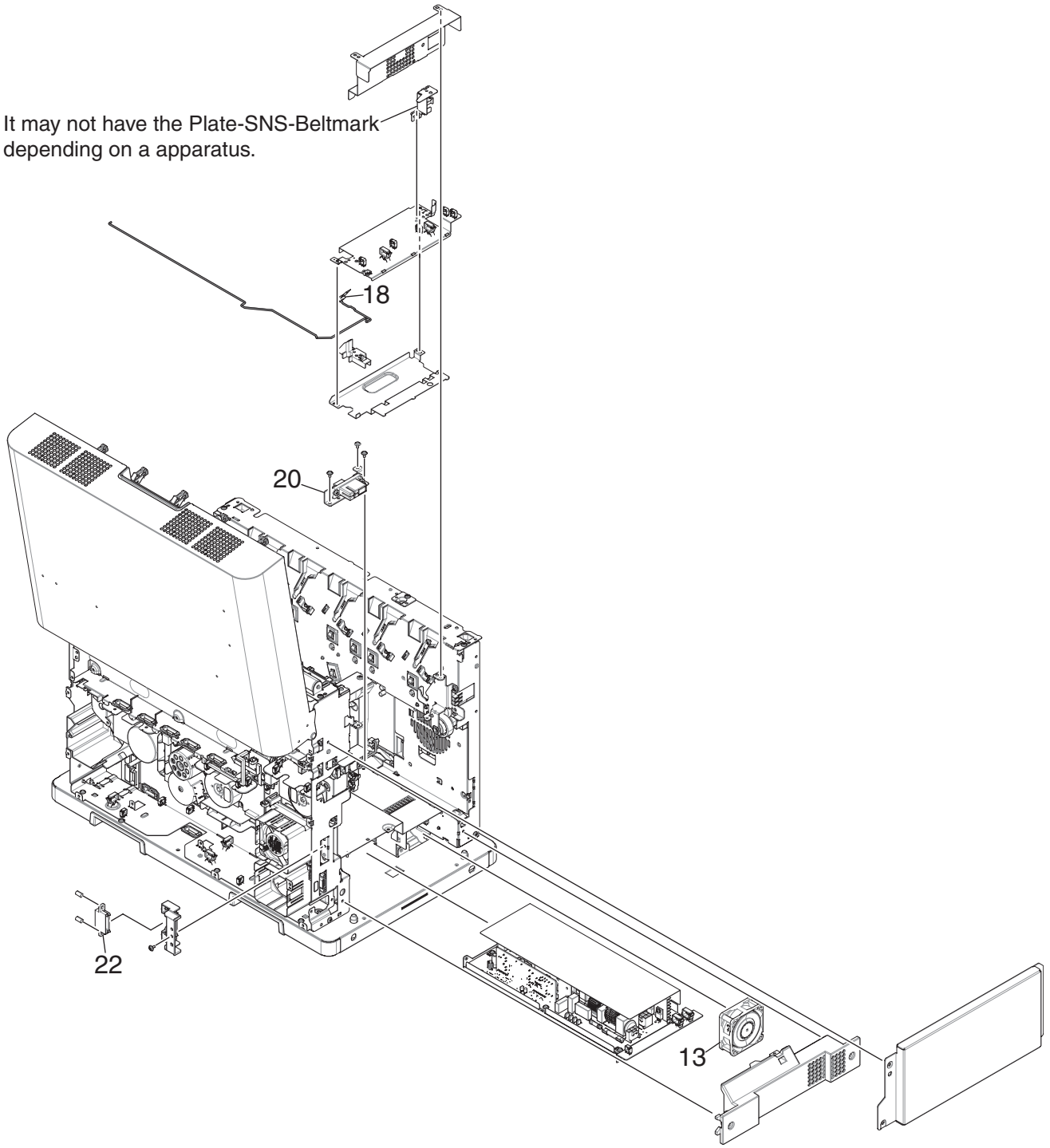


# [Printer] Printer Unit-2

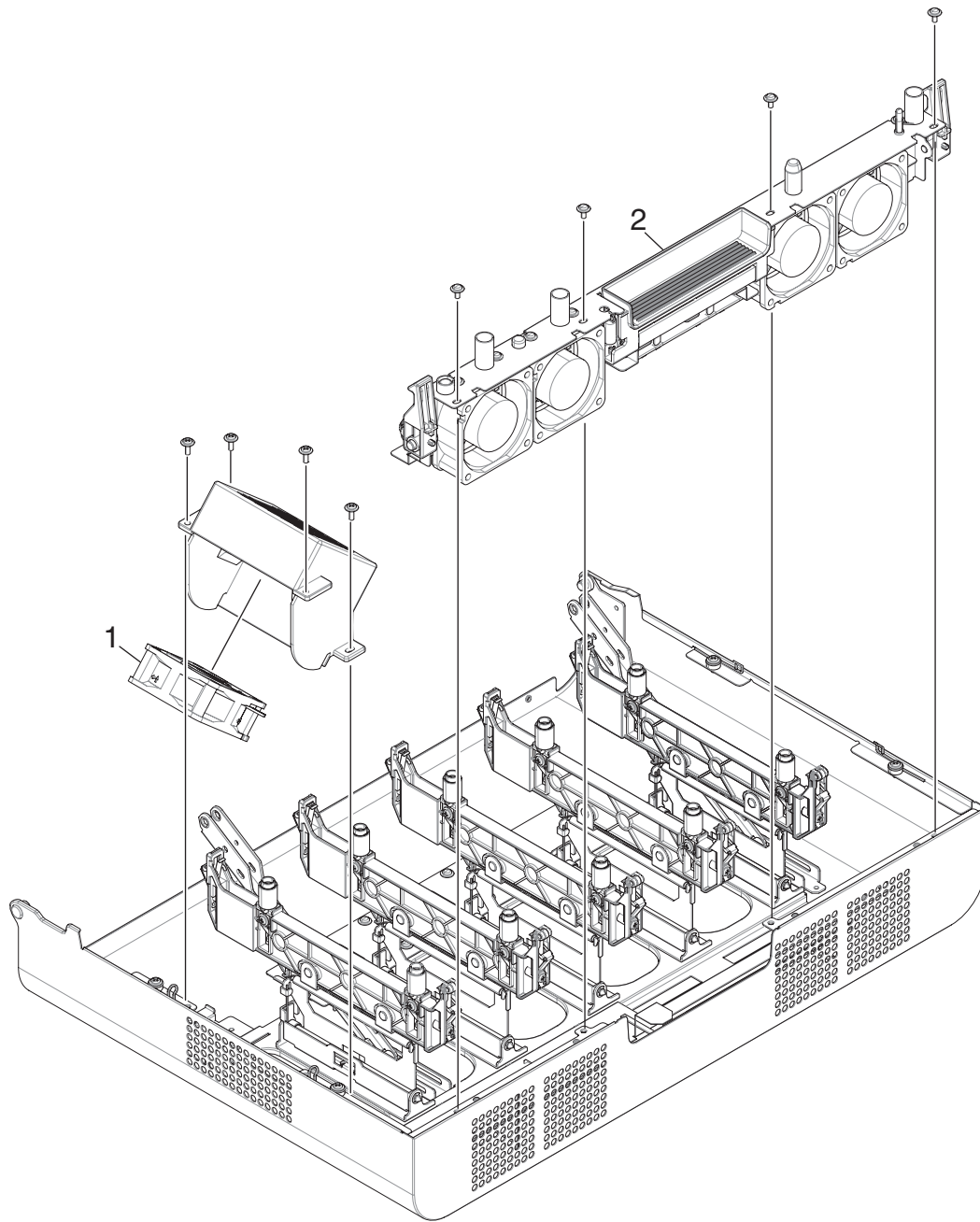


### [Printer] Printer Unit-3

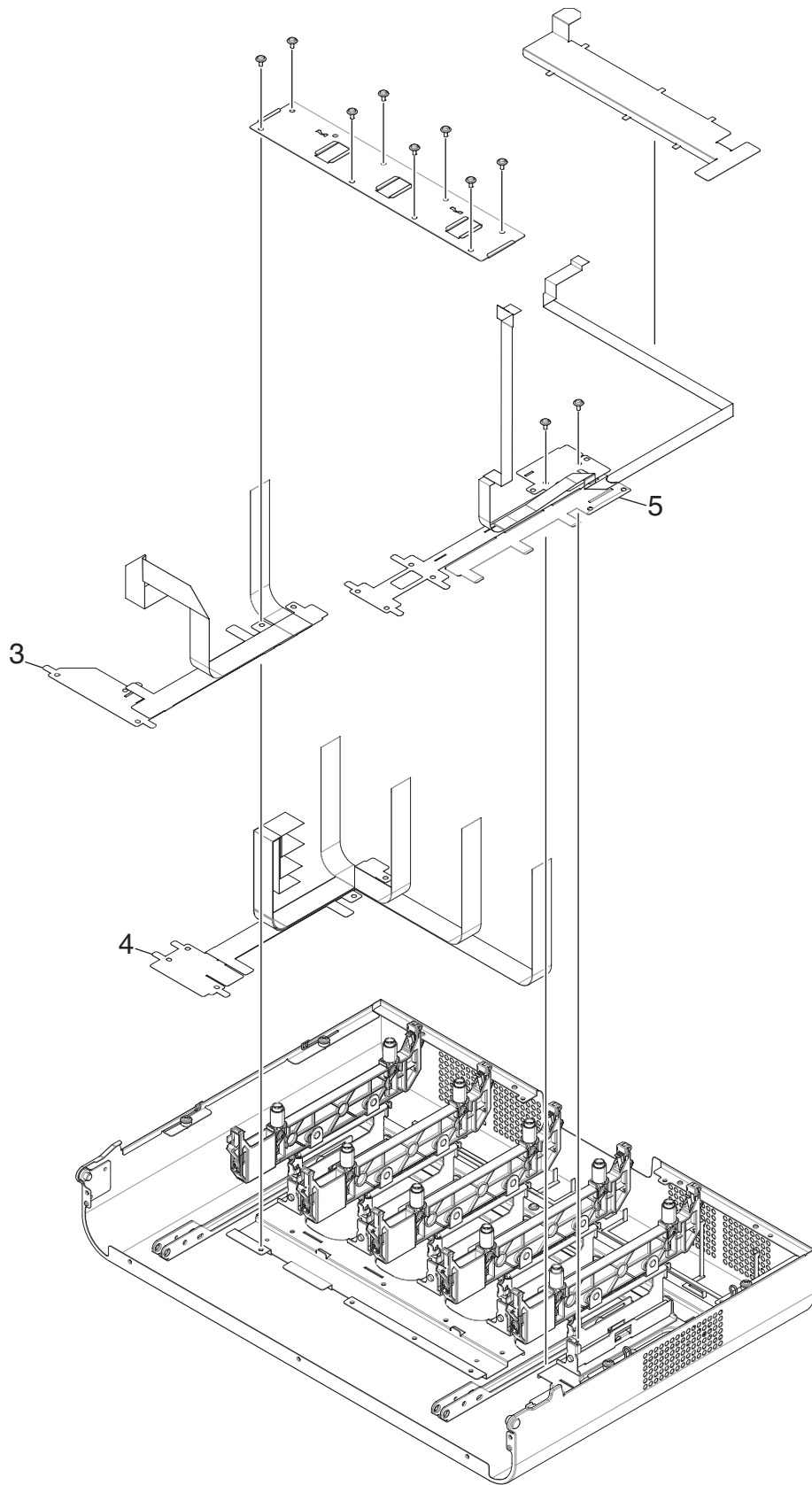
It may not have the Plate-SNS-Beltmark depending on a apparatus.



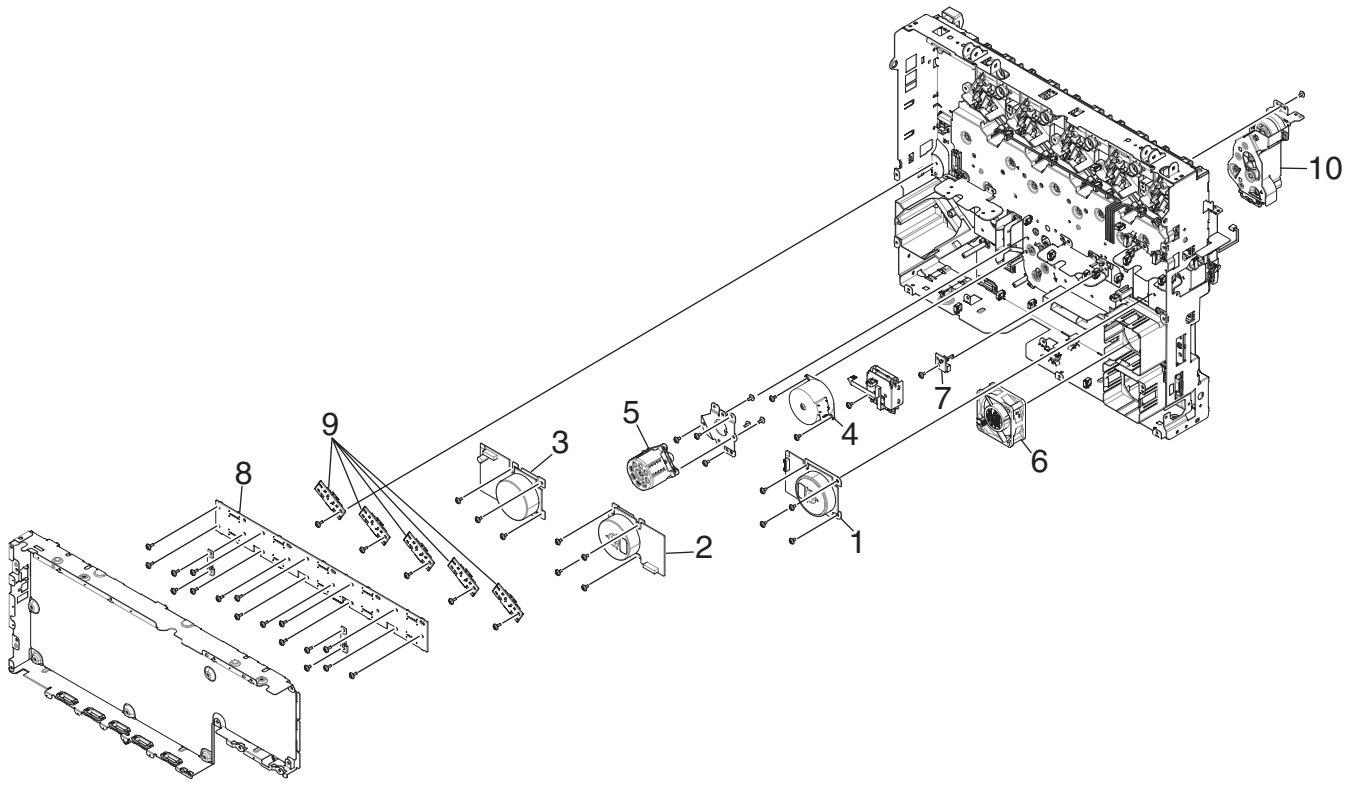
# [Printer] Cover-Top-Assy-1



### [Printer] Cover-Top-Assy-2

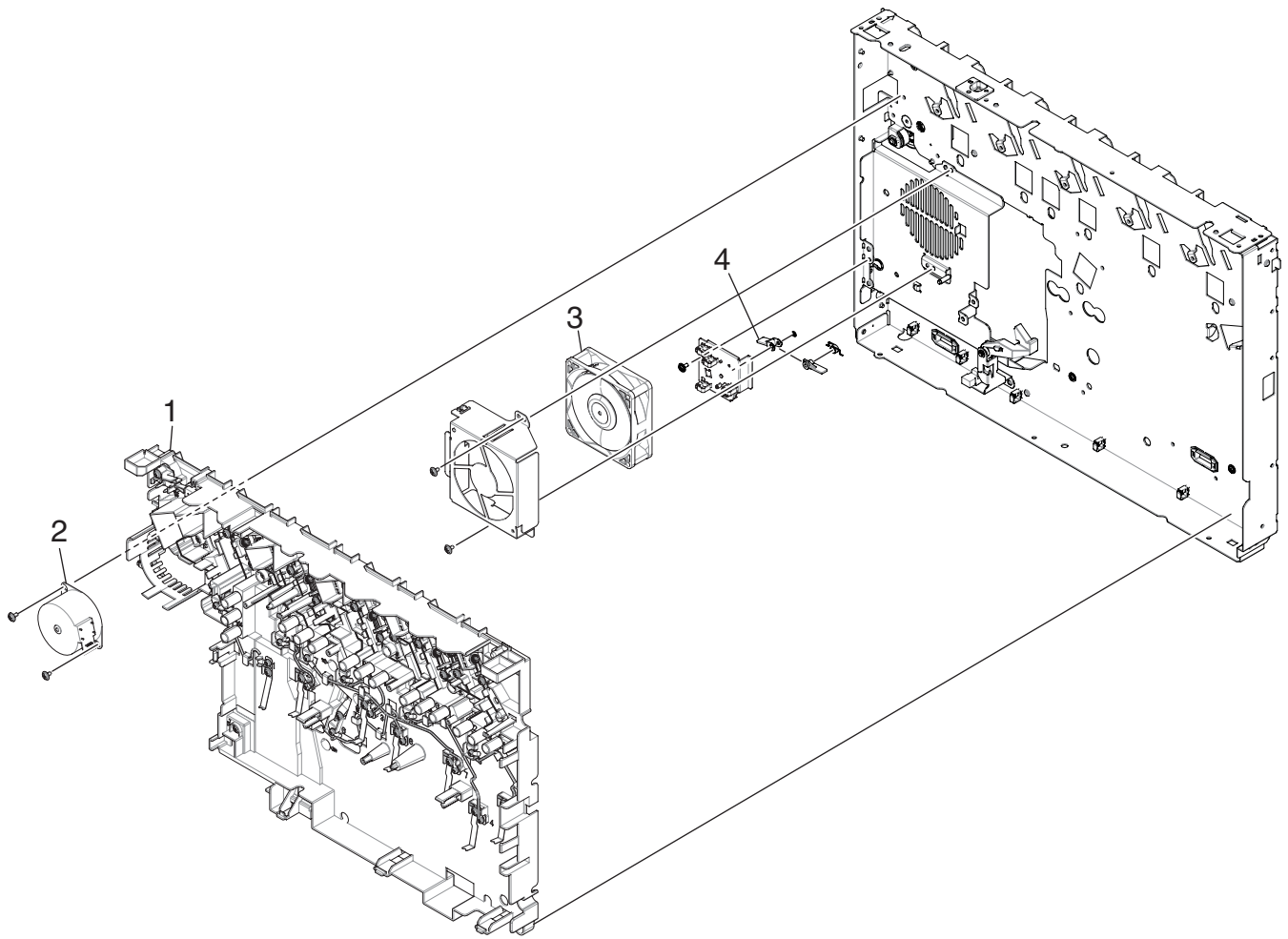


[Printer] Plate-Gear-Side-Assy

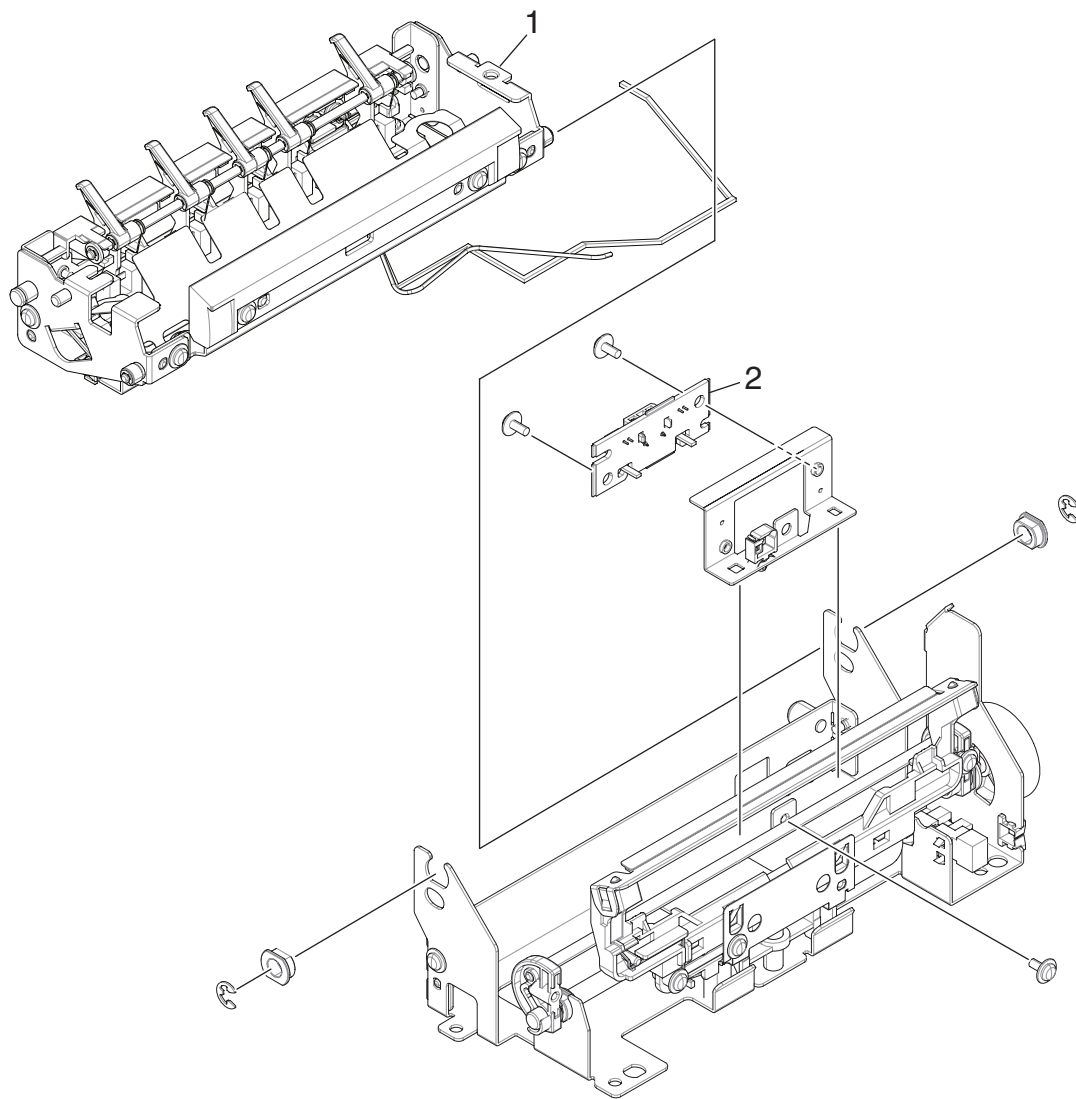




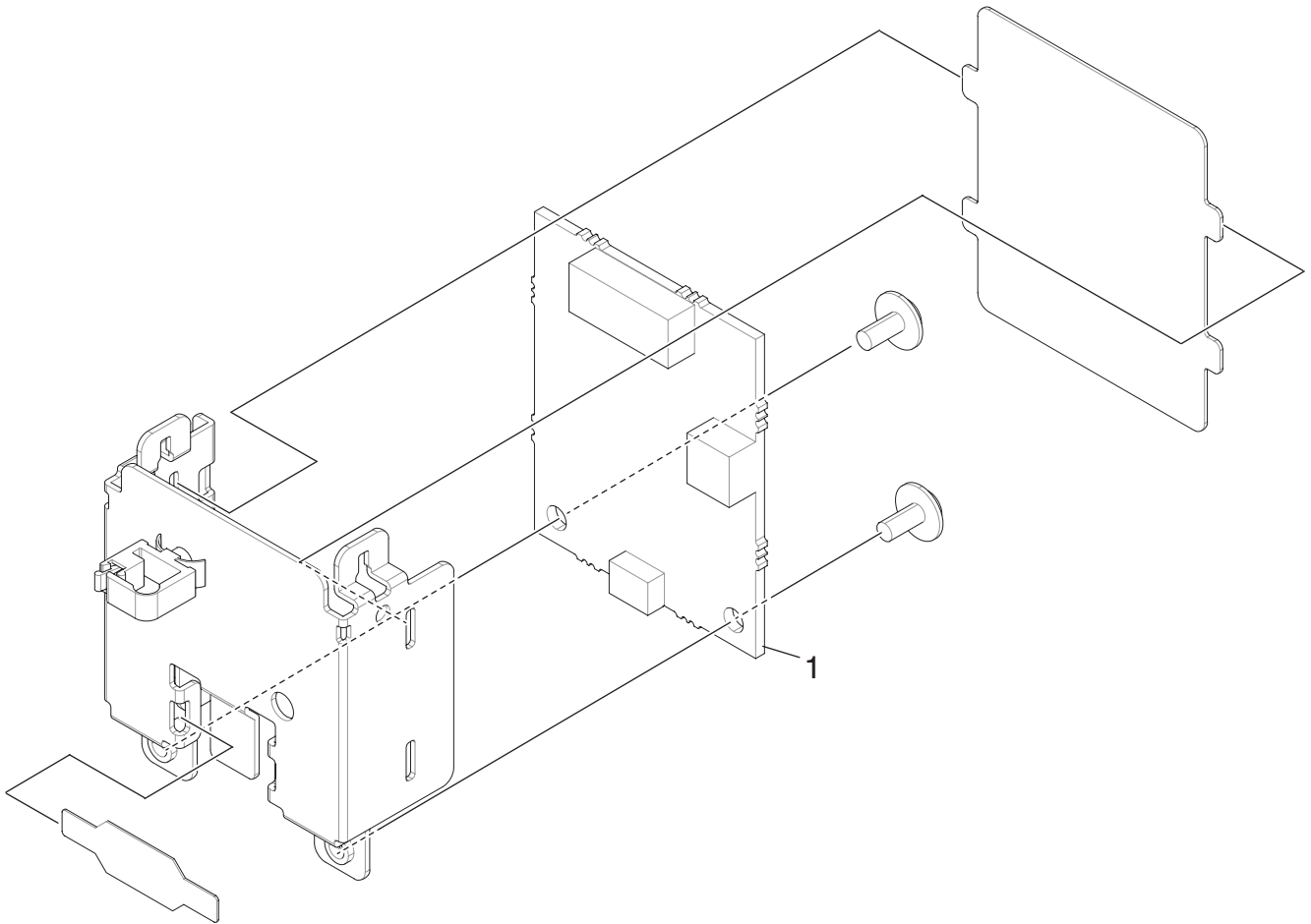
### [Printer] Plate-Open-Side-Assy



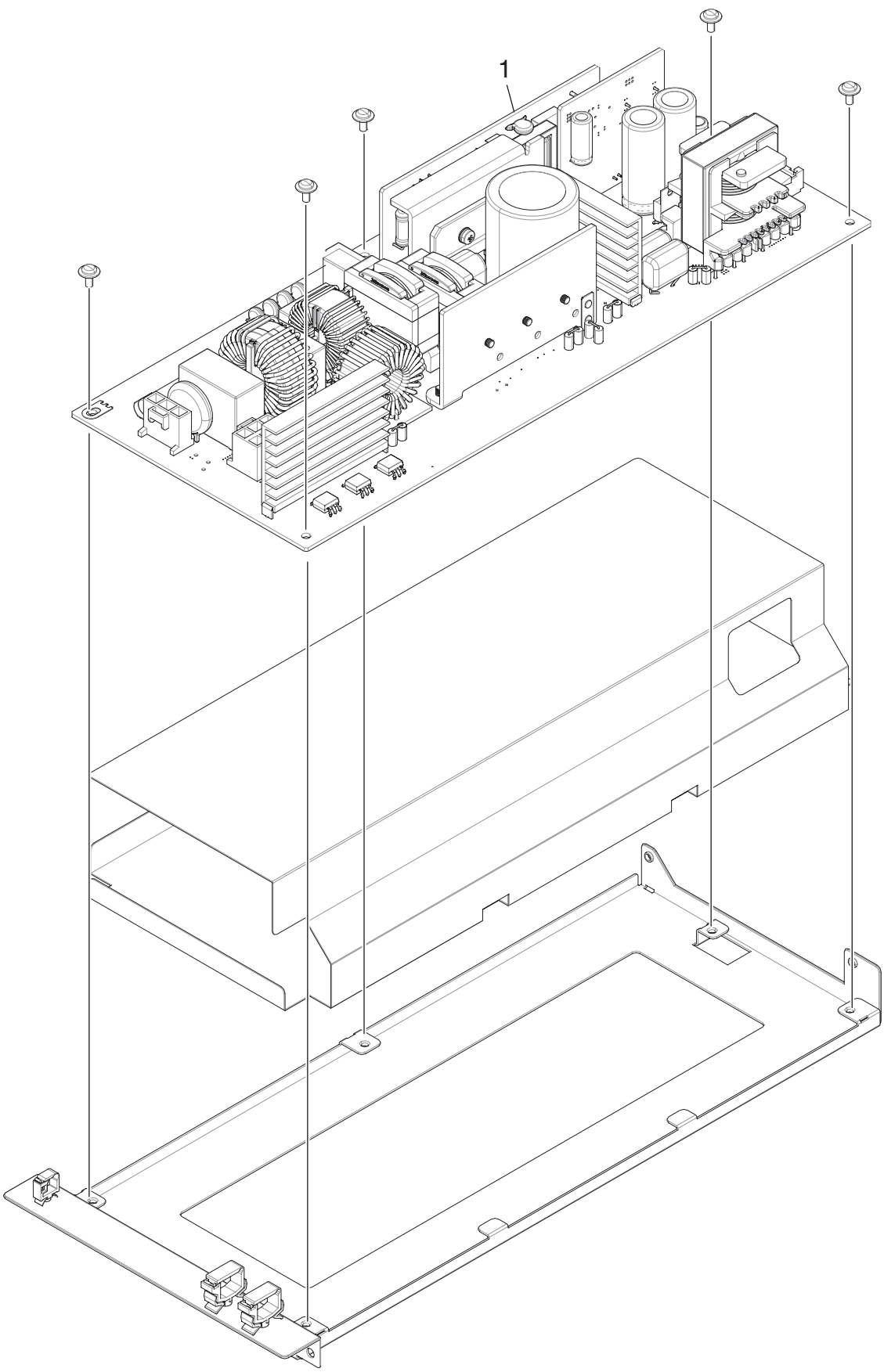
[Printer] TR2-Unit



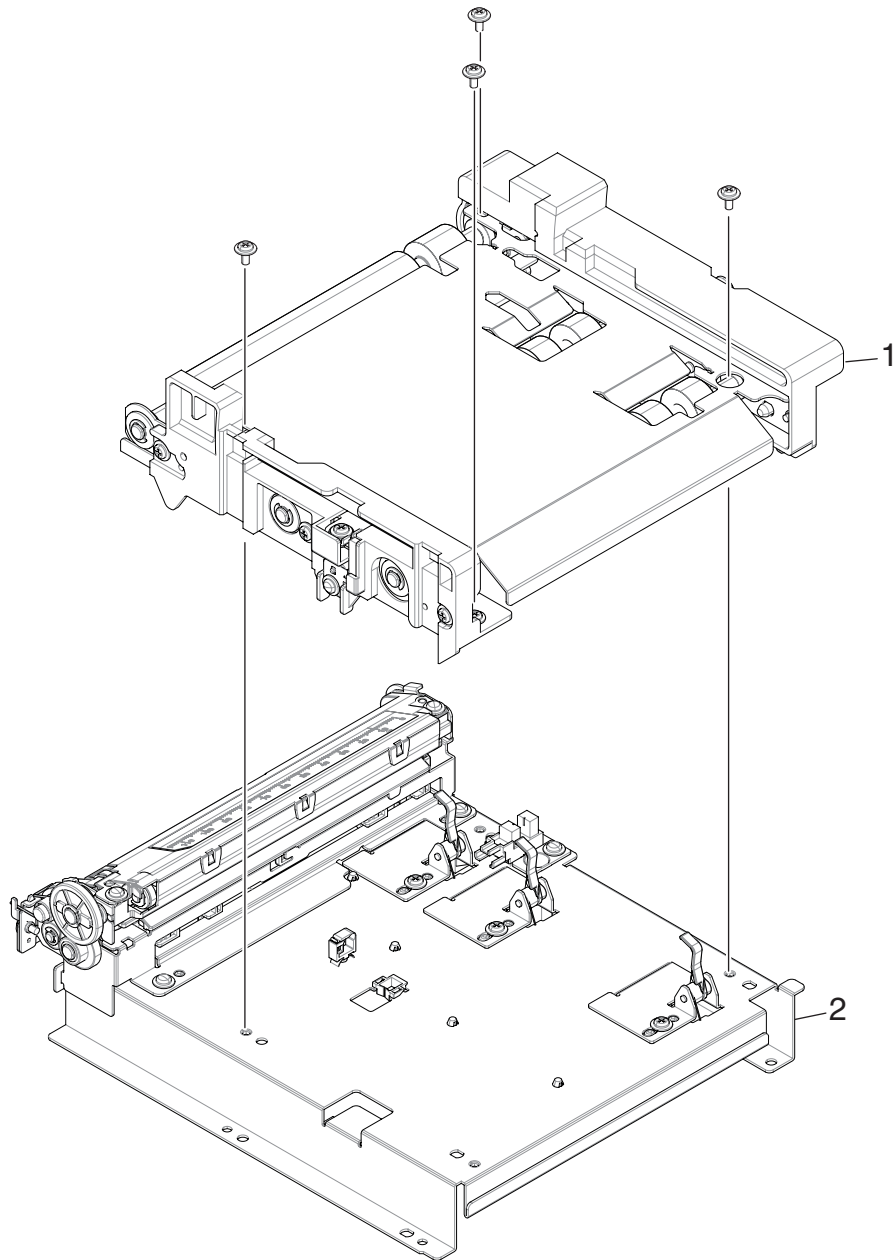
[Printer] RFID-Assy-NF



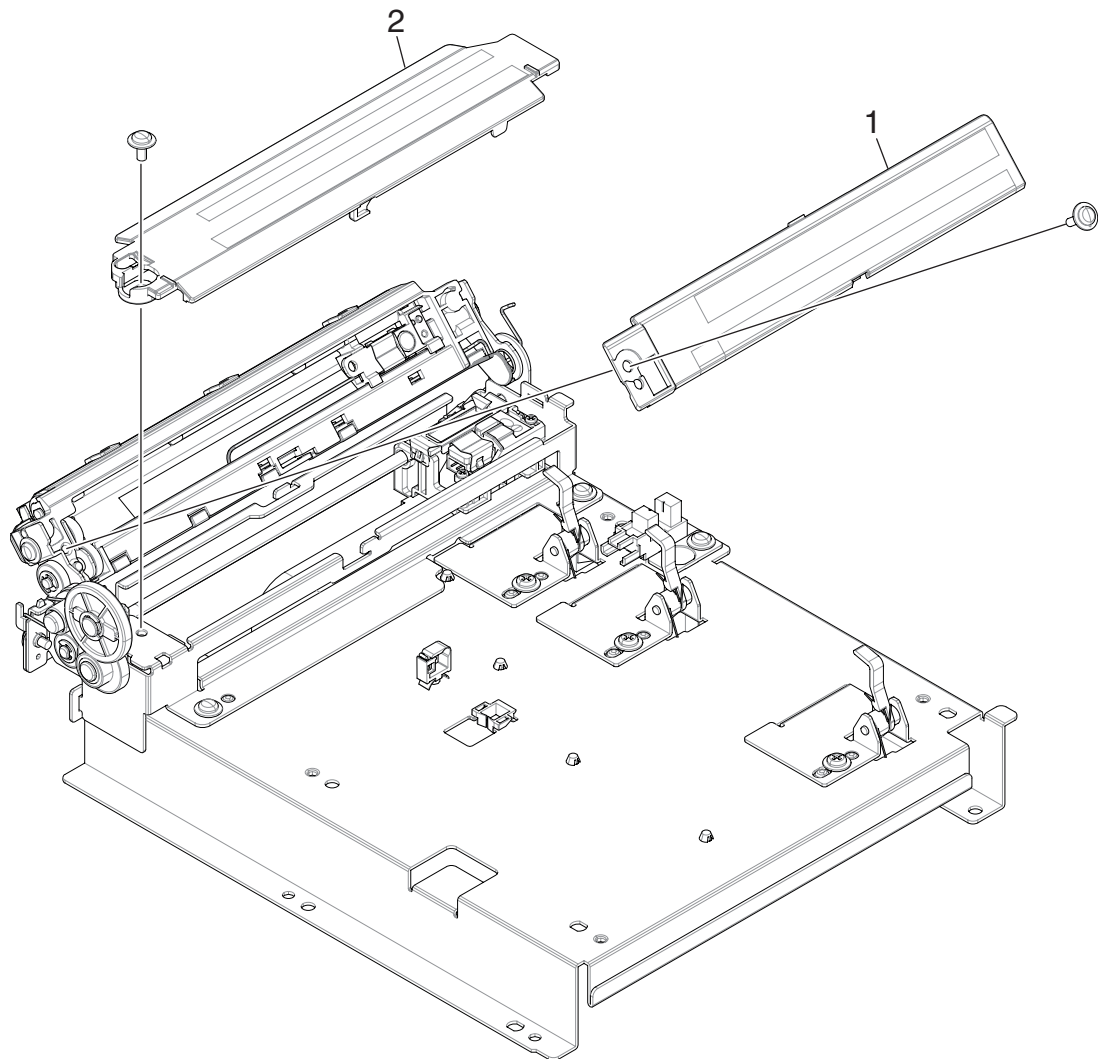
[Printer] PCB-Assy



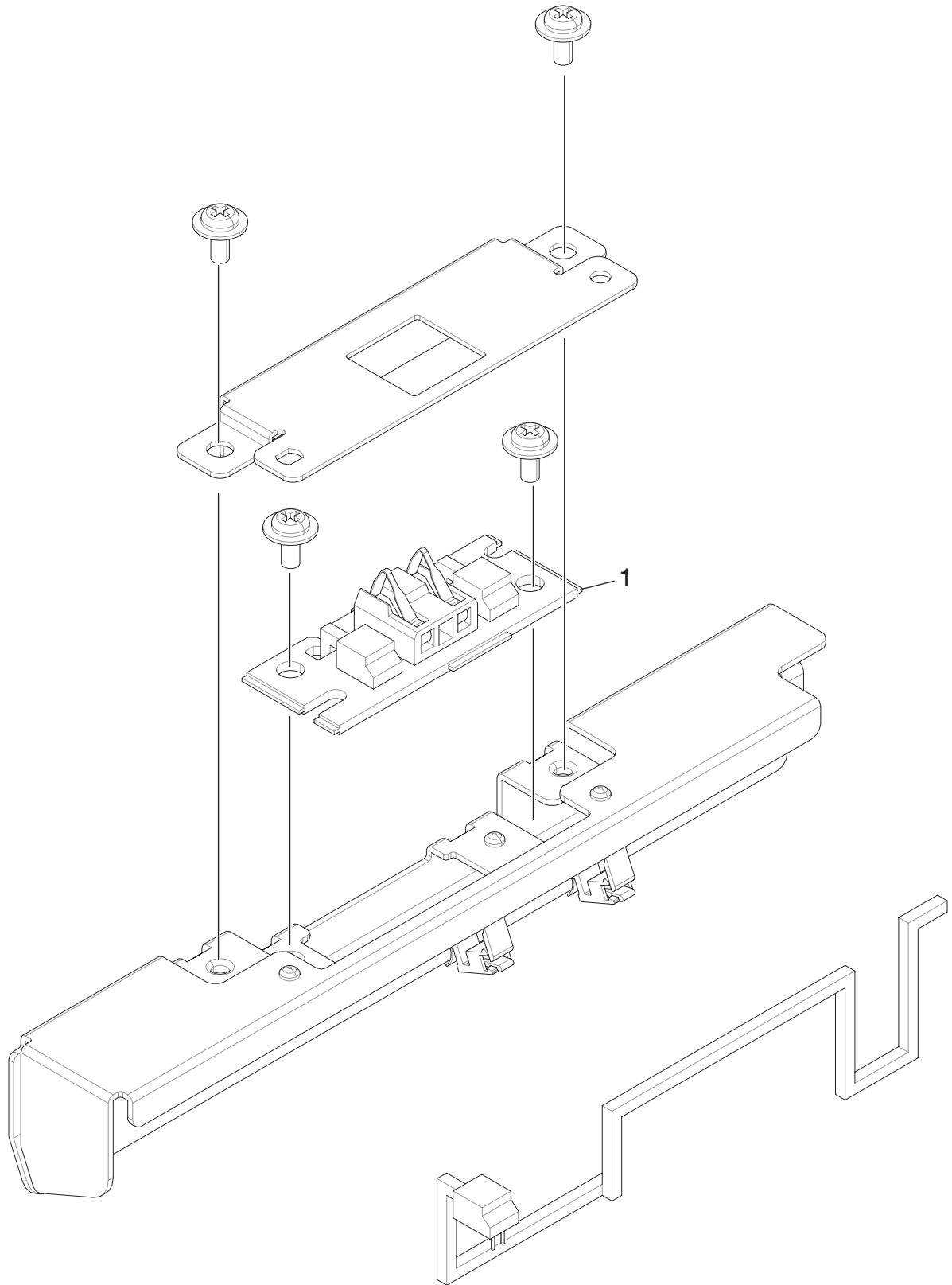
# [Printer] Feed-Assy



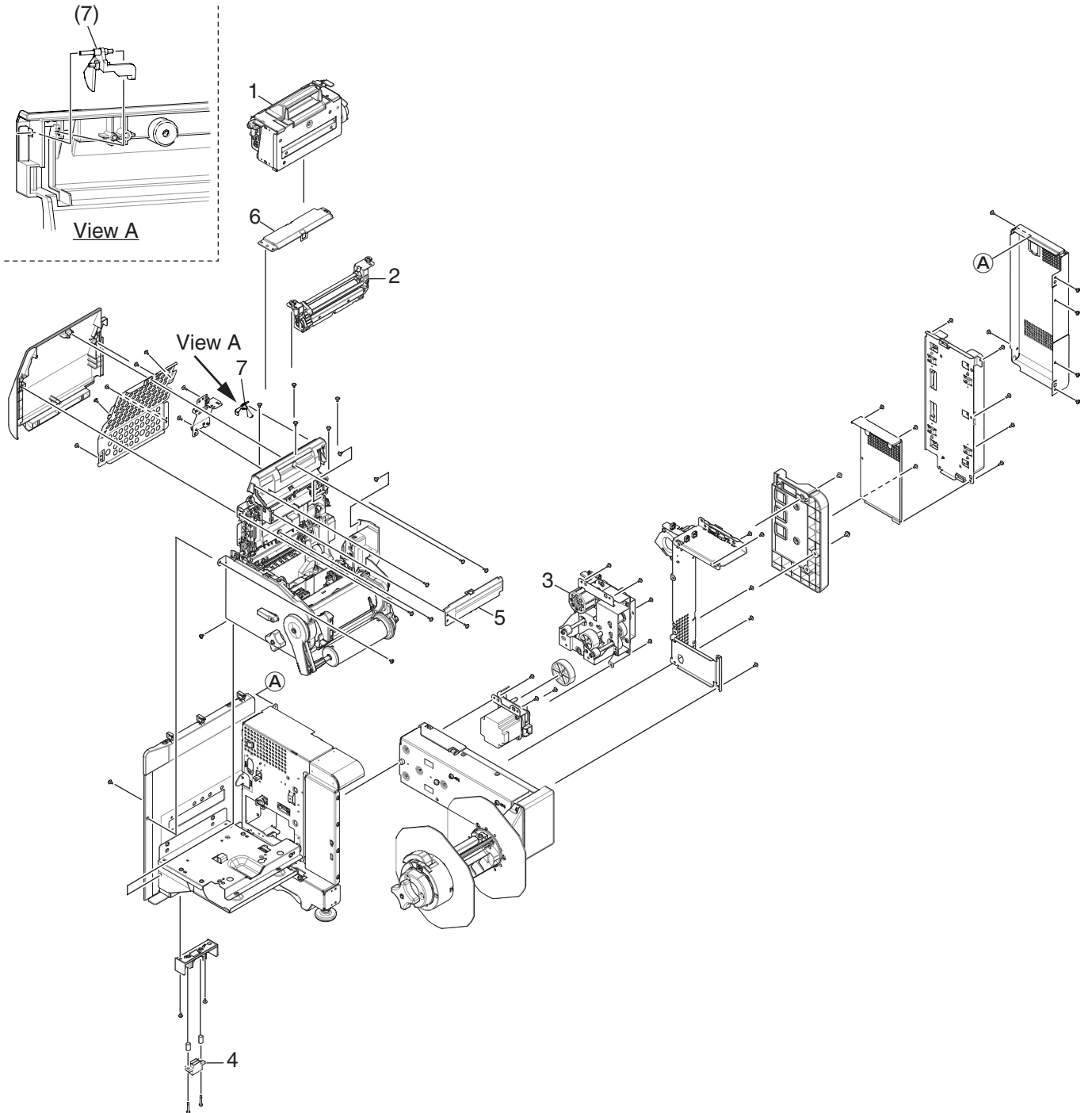
### [Printer] Plate-Lower-Base-Assy



### [Printer] Belt-TAG-Assy

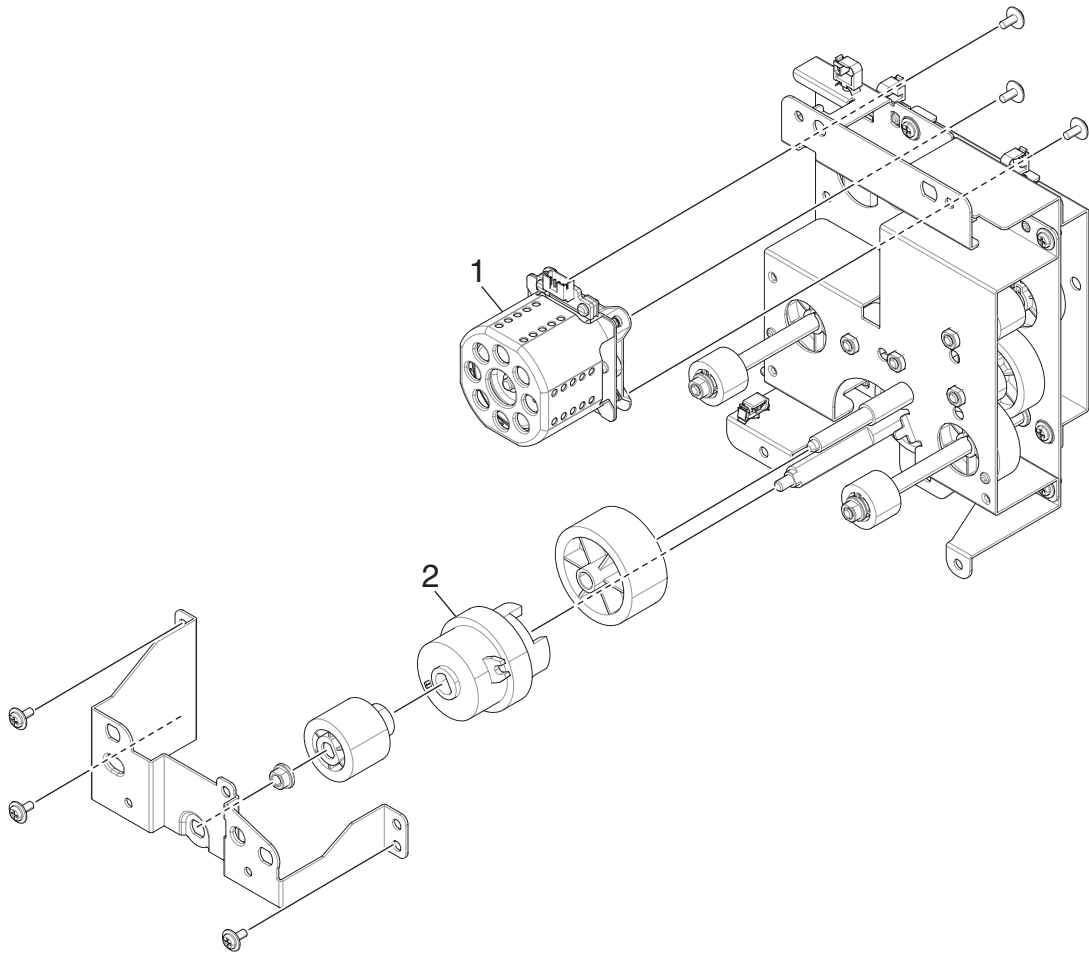


# [Unwinder] Unwinder-Unit

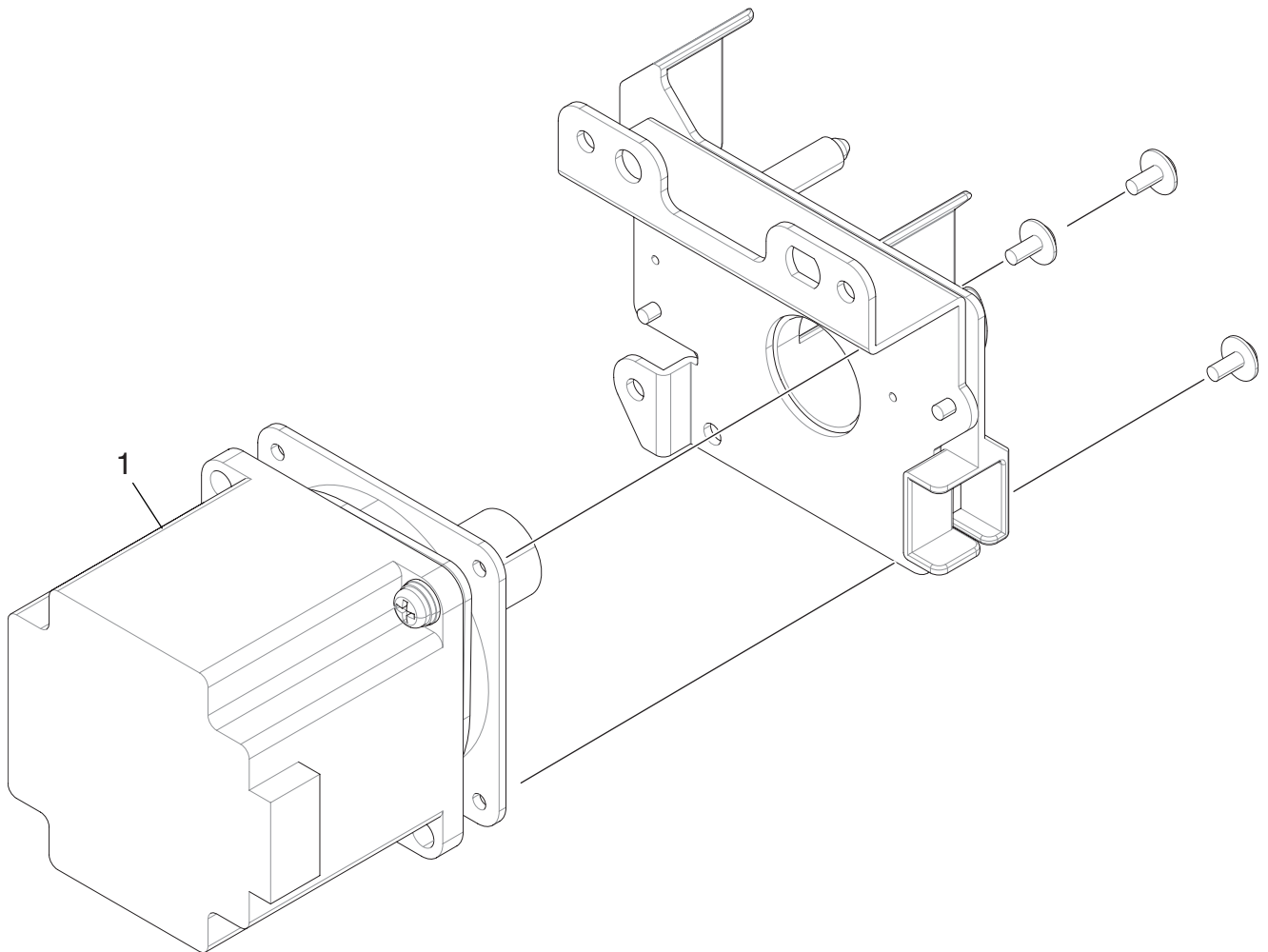




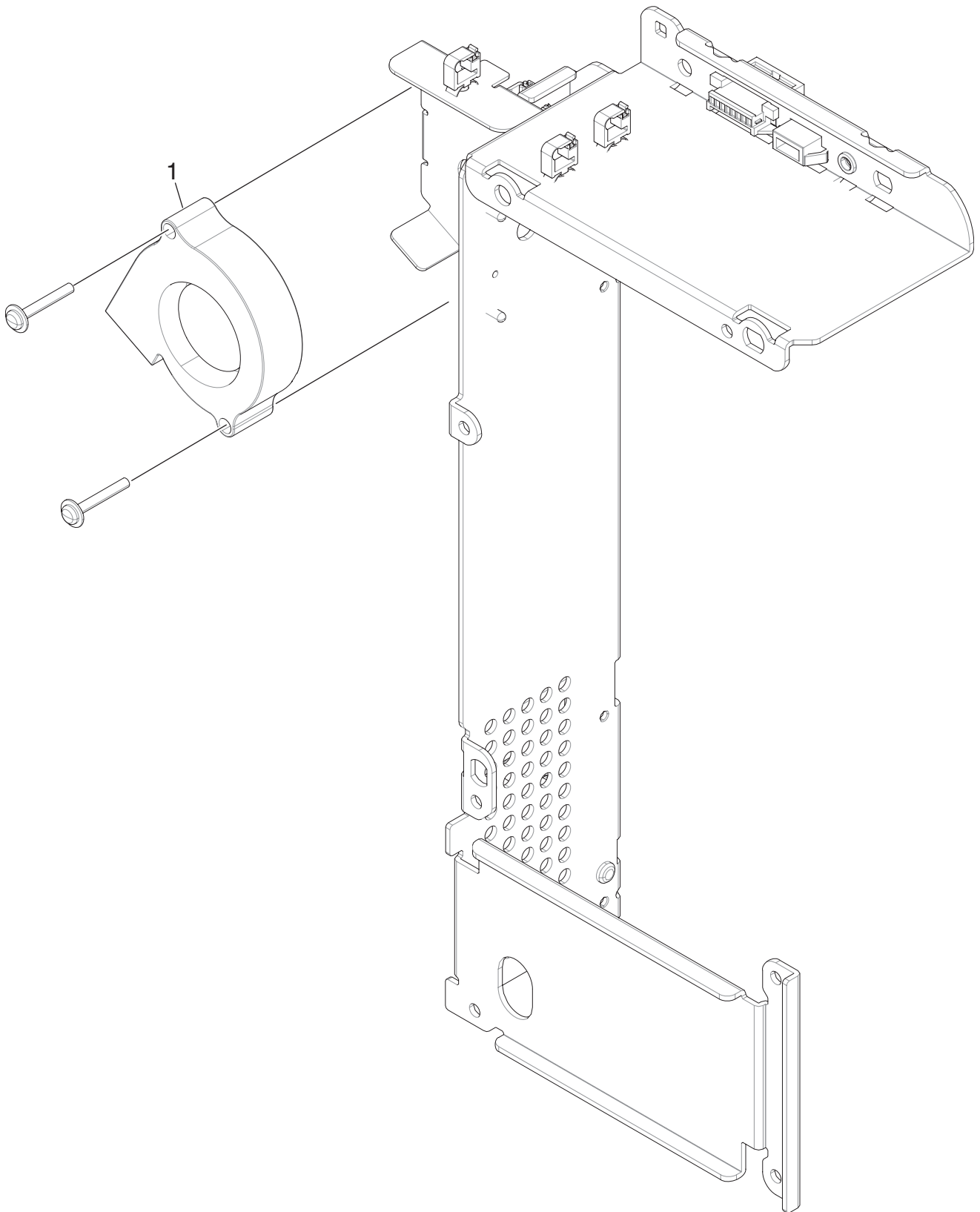
# [Unwinder] Motor-Assy\_Feed



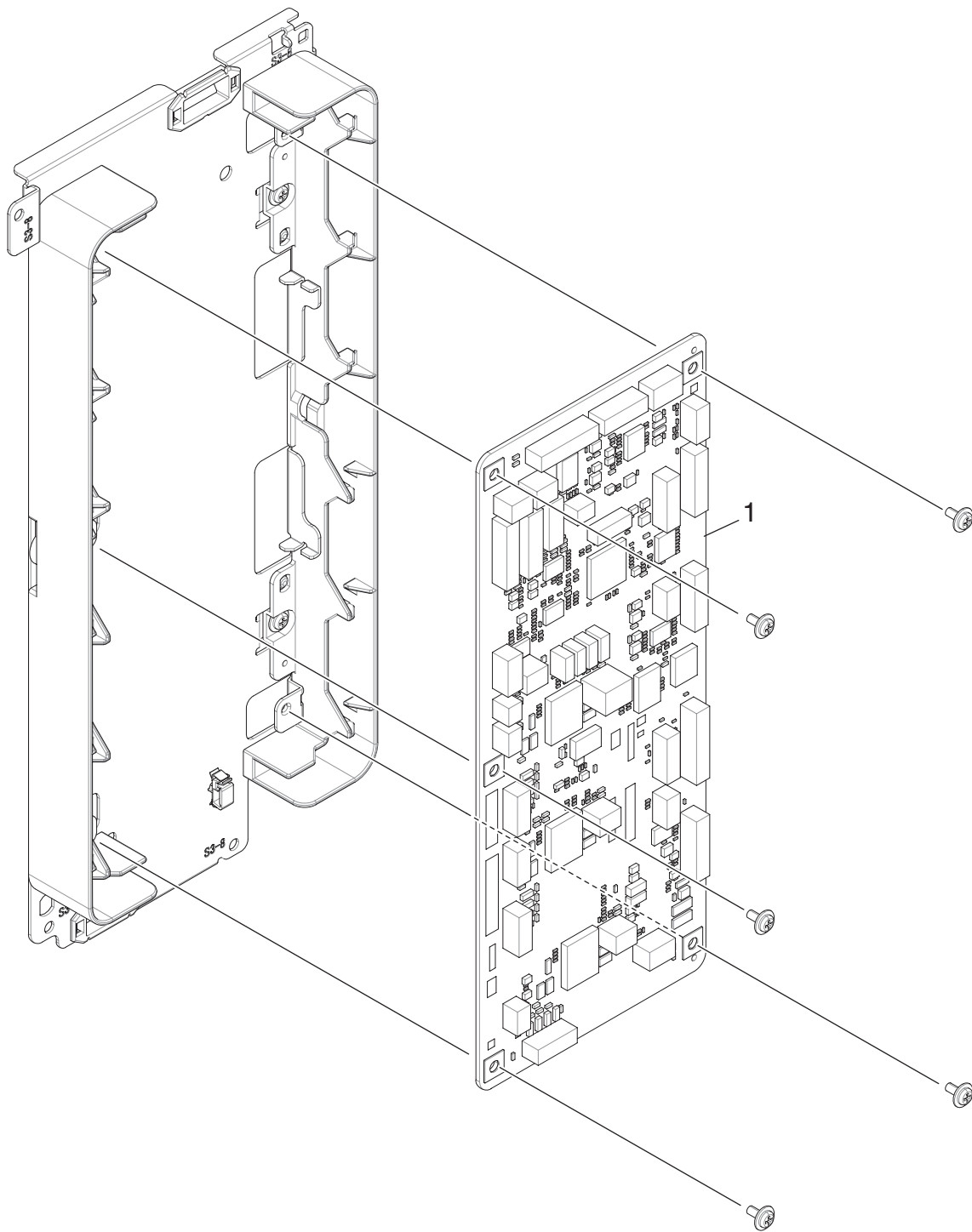
# [Unwinder] Motor-Assy\_Cutter



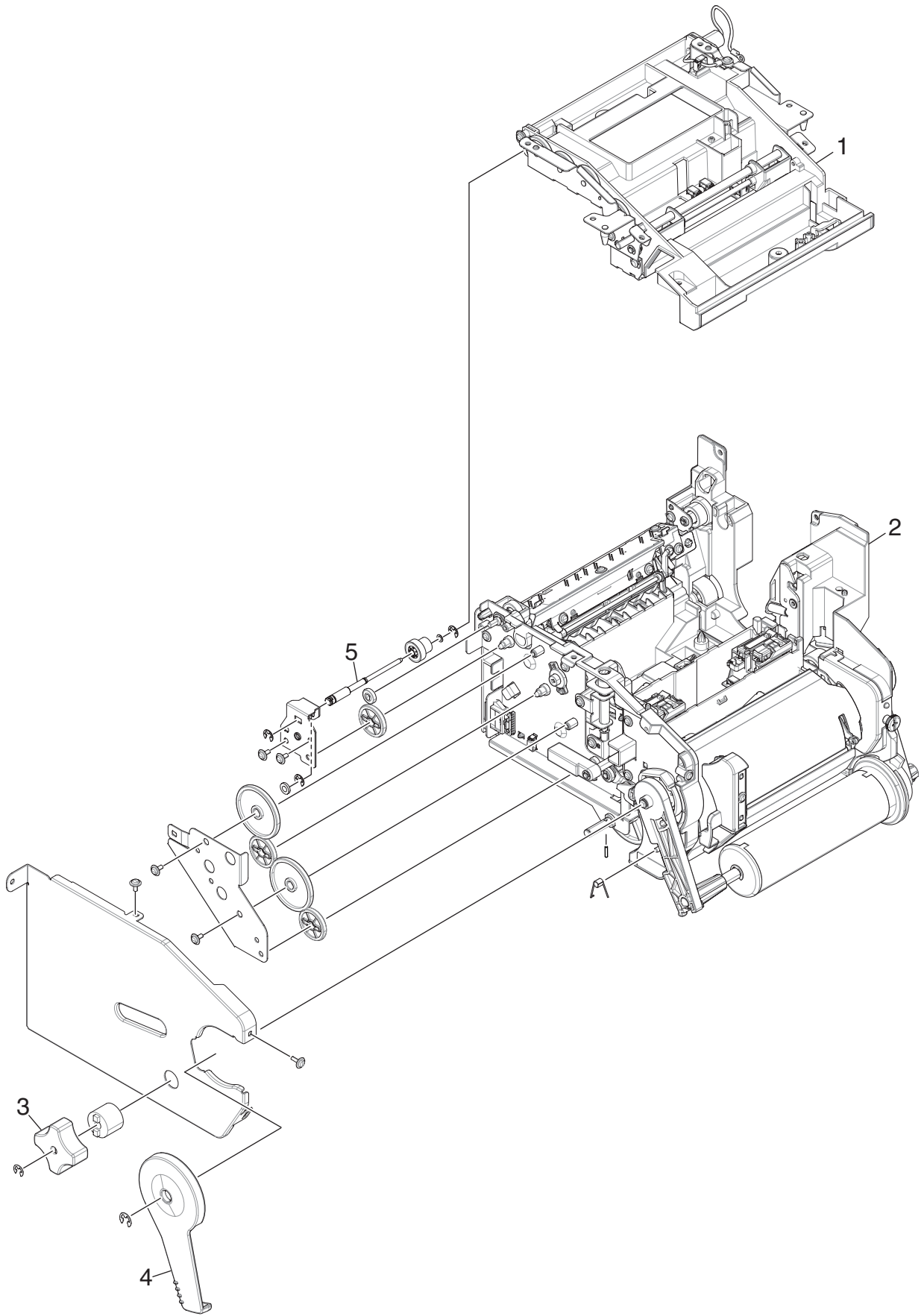
### [Unwinder] Plate-Support-Assy



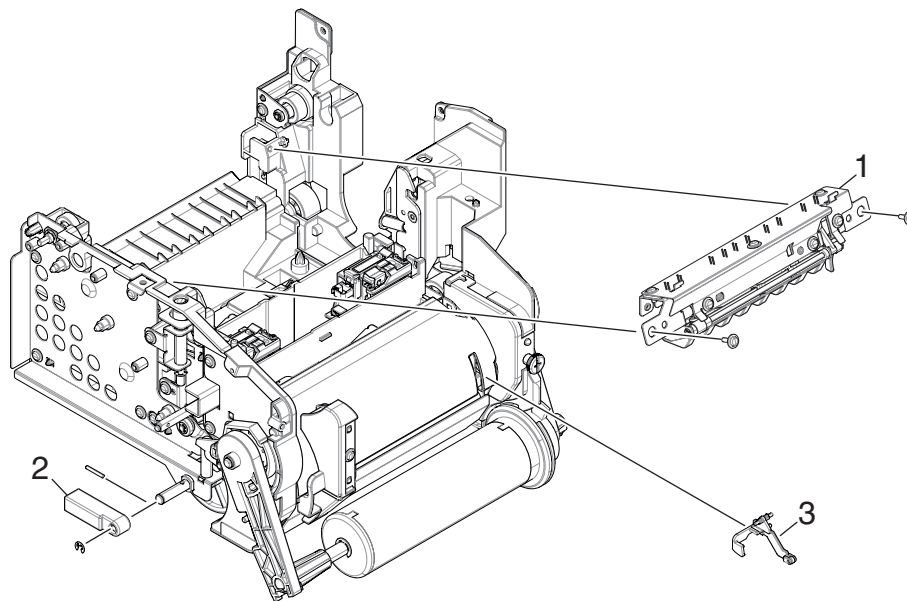
# [Unwinder] Board-Assy



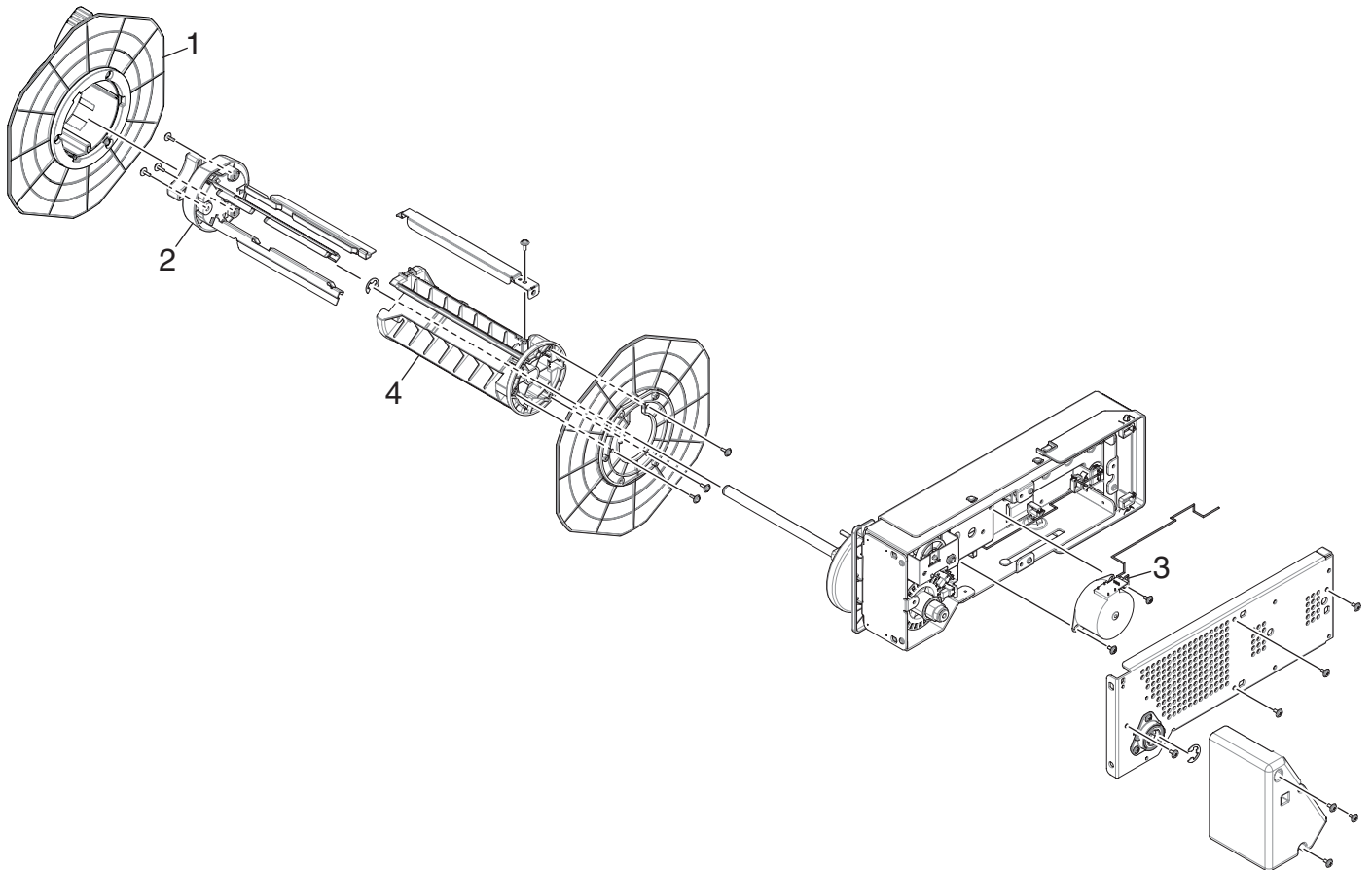
[Unwinder] Guide-Assy



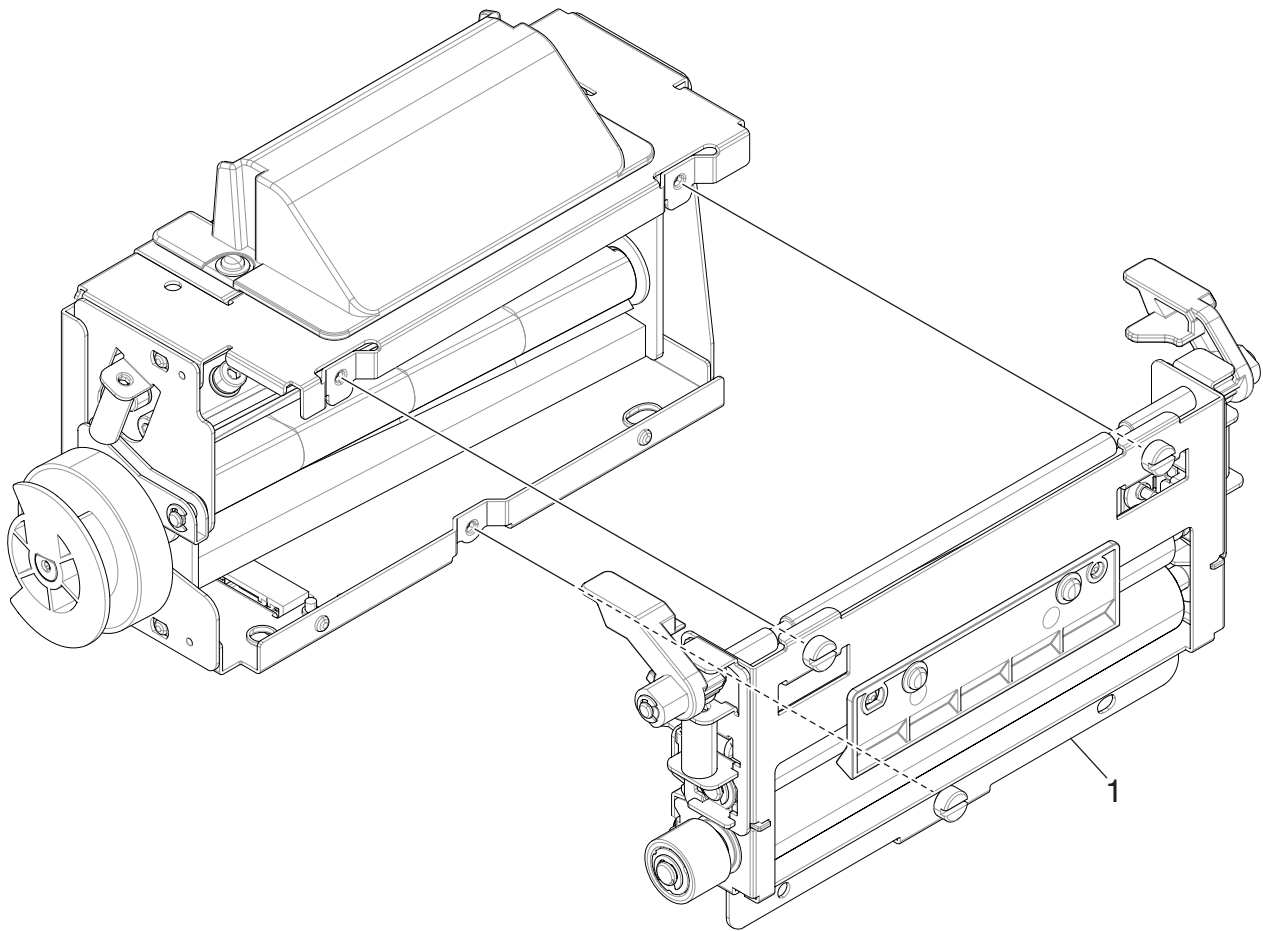
# [Unwinder] Unit-Guide-L



# [Unwinder] Hanger-Assy

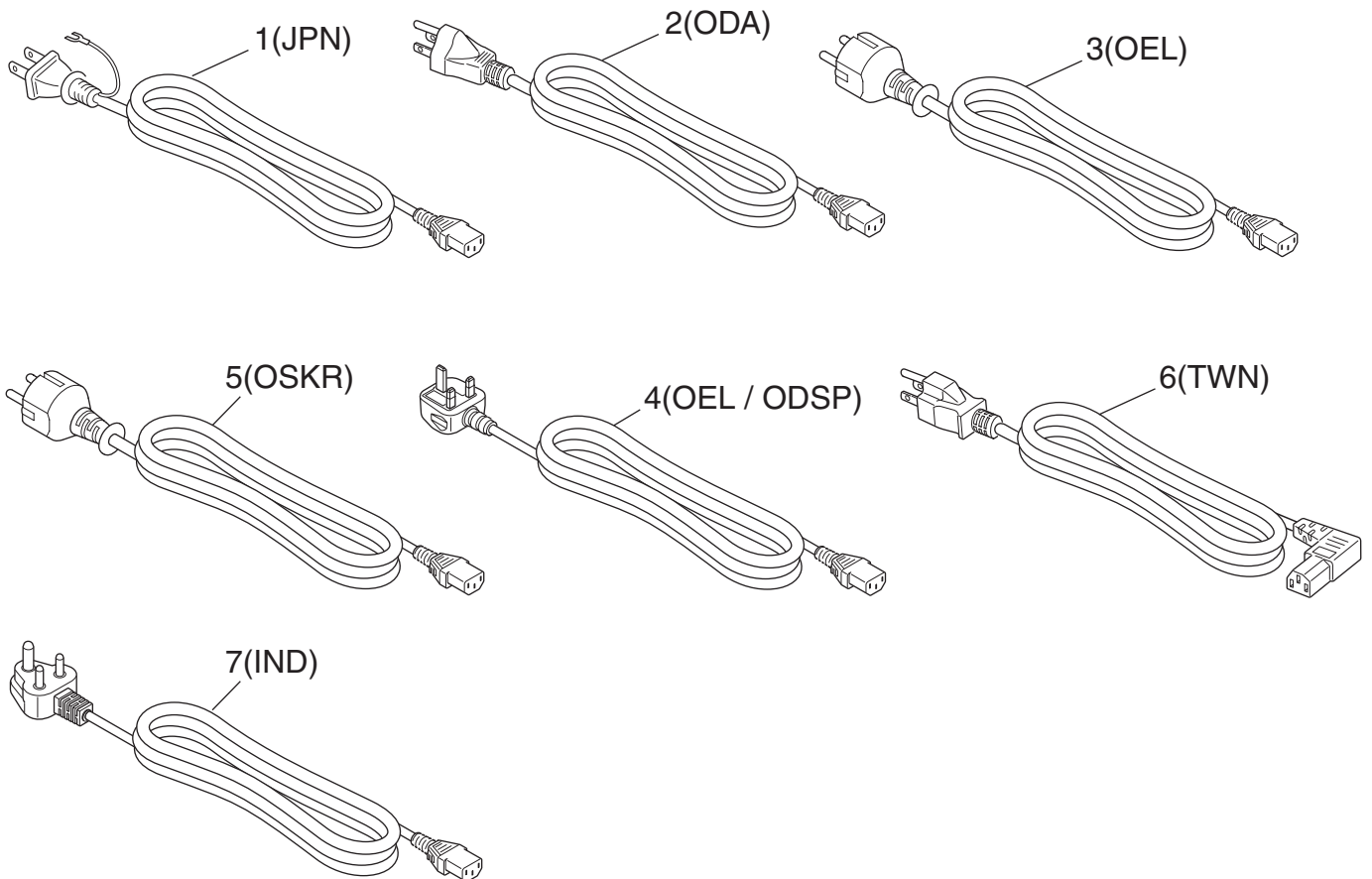


# [Unwinder] Cutter-Unit





### Appended parts



Other

