



OKIDATA

Service Guide

OKIFAX 5800 Service Manual

Adobe Acrobat printable reference copy
of the OKIDATA Service Training Manual.
08/20/98

Note: This Adobe Acrobat version of the Okidata Service Training Manual was built with the pictures rendered at 300 dpi, which is ideal for printing, but does not display well on most displays.

Copyright 1997, Okidata, Division of OKI America, Inc. All rights reserved. See the OKIDATA Business Partner Exchange (BPX) for any updates to this material. (<http://bpx.okidata.com>)

Service Manual for OF5800**1 General Description**

1.1 Product Description	1
1.2 Specification and Ratings	2
1.3 Features and Functions	3
1.4 Reports	4
1.5 Scanner Specifications	5
1.6 Printer Specifications	6
1.7 Memory Specifications	7
1.8 Supply Yields	8

2 Machine Operations

2.1 Interconnect Block Diagram	9
2.2 Main Control PCB	10
2.3 Network Control Unit (NCU) PCB	11
2.4 Power Supply Unit (PSU)	12
2.5 CCD Mount PCB	13
2.6 Sensors	14
....2.6.1 Sensor Locations	15
....2.6.2 Sensor Descriptions	16
2.7 Unit Assembly	17
2.8 Document Scanning Sequence	18
....2.8.1 Document Detection	19
....2.8.2 Document Separation	20
....2.8.3. Document Transport	21
....2.8.4 Document Scanning	22
....2.8.5 Document Discharge	23
2.9 Recording Section	24
2.10 Image Processing	25
....2.10.1 Drum Charge	26
....2.10.2 Laser Exposure	27
....2.10.3 Development	28
2.10.4 Image Transfer	29
2.10.5 Fusing	30
....2.10.5.1 An Overview	31
....2.10.5.2 Fusing Temperature Control Circuit	32
2.10.6 Timing Chart	33
....2.10.6.1 Print Starting	34
2.10.6.2 Print Ending	35
2.11 Transmission Control Procedure (G3 mode)	36
2.12 Transmission Control Procedure (G3 mode, polling)	37
2.13 Transmission Control Procedure (G3, ECM Mode)	38

3 Adjustment Procedures

3.1 Field Service Program Modes	39
---------------------------------	----

Table of Contents

Page

3.2 Machine Parameter Adjustment	40
....3.2.1 Setting the Machine Parameters	41
....3.2.2 Clearing the Machine Parameters	42
.....Machine Parameter A:0:	43
.....Machine Parameter A:1	44
.....Machine Parameter A:2	45
.....Machine Parameter A:3	46
.....Machine Parameter A:4	47
.....Machine Parameter A:5~A:8	48
.....Machine Parameter A:9	49
.....Machine Parameter B:4	50
.....Machine Parameter B:4~G:9	51
.....Machine Parameter H:0	52
.....Machine Parameter H:1	53
.....Machine Parameter H:2	54
.....Machine Parameter H:3~J:9	55
3.3 Memory Switches Adjustment	56
....3.3.1 Setting the Memory Switches	57
....3.3.2 Clearing the Memory Switches	58
3.4 Memory Switch Reference Guide	59
....Memory Switch A:2~A:4	60
....Memory Switch A:5 - Dialer	61
....Memory Switch B:0 - Transmission	62
....Memory Switch B:1 - Transmission	63
....Output attenuation	64
....Memory Switch B:2 - Transmission	65
....Memory Switch B:3~B:4	66
....Memory Switch B:5 - Transmission	67
....Memory Switch B:6~B:9	68
....Memory Switch C:0 - Reception	69
....Memory Switch C:1 - Reception	70
....Memory Switch C:2~C:9	71
....Memory Switch D:0 - Reception	72
....Memory Switch D:1- Reception	73
....Memory Switch D:2 - Reception	74
....Memory Switches D:3	75
....Memory Switch D:5~D:9	76
....Memory Switch: E:0 - Scanner	77
....Memory Switch E:1~F:9	78
....Memory Switch G:0 - Remote reception and TAD interface	79
....Memory Switch G:1 - Remote reception and TAD interface	80
....Memory Switch G:2 - Remote reception and TAD interface	81
....Memory Switch G:3	82
....Memory Switch G:4 - Remote reception and TAD interface	83

Table of Contents

Page

....Memory Switch G:5~G:9	84
....Memory Switch H:0 - Operation	85
....Memory Switch H:1 - Operation	86
....Memory Switch H:2 - Operation	87
....Memory Switch H:3~H:9	88
3.5 Clear Programmed Data / User Settings	89
3.6 All RAM Clear	90
3.7 Setting Individual Autodialer Attributes	91
3.8 Unique Switchs Adjustment	92
....3.8.1 Setting the Unique Switches	93
....3.8.2 Clearing the Unique Switches	94
.....Unique Switch A:0 - Dialer	95
.....Unique Switch A:1~A:9	96
.....Unique Switch B:0	97
.....Unique Switch B:1~B:9	98
.....Unique Switch C:0	99
.....Unique Switch C:1	100
.....Unique Switch C:2	101
.....Unique Switch C:3~C:9	102
.....Unique Switch E:0	103
.....Unique Switch E:1~E:9	104
.....Unique Switch F:0	105
.....Unique Switch F:1	106
.....Unique Switch F:2	107
.....Unique Switch F:3	108
.....Unique Switch F:4	109
.....Unique Switch F:5 and F:6	110
.....Unique Switch F:7~F:9	111
.....Unique Switch G:0	112
.....Unique Switch G:1	113
.....Unique Switch G:2~G:9	114
.....Unique Switch H:0	115
.....Unique Switch H:1~H:9	116
3.9 Print T.30 Monitor	117
3.10 Print Program Mode List	118
3.11 Test Modes	119
....3.11.1 Life Monitor	120
....3.11.2 Clear Life Monitor	121
....3.11.3 Printer Test	122
....3.11.4 Stamp Test	123
....3.11.5 Set Background Level	124
3.12 Print Machine Parameters, Memory Switch and Unique Switch Settings	125
3.13 Factory Functions	126

Table of Contents

Page

....3.13.1 Function List	127
....3.12.2 LED Test	128
....3.13.3 LCD Test	129
....3.13.4 LCD Test	130
....3.13.5 SRAM Check	131
....3.13.6 DRAM Check	132
....3.3.17 RTC Test	133
3.14 Line Test	134
....3.14.1 Relay Test	135
....3.14.2 Tonal Signal Test	136
....3.14.3 DTMF Output Test	137
3.15 JP1, JP2 Battery Backup	138
3.16 DRAM Memory Backup	139
4 Troubleshooting Procedures	
4.1 Troubleshooting Outline	140
4.2 Recording Paper Jam	141
4.3 Recording Paper Jam	142
4.4 Document Feeder Jam	143
4.5 Document Feeder Multi-feeding	144
4.6 Transmit Errors	145
4.7 Transmit Black Lines	146
4.8 Cannot Transmit	147
4.9 Receive Errors	148
4.10 Will Not Auto-Answer	149
4.11 Clearing Jammed Paper	150
....4.11.1 Original Document Jam	151
....4.11.2 Printed document jams	152
4.12 Image Quality Problems	153
4.13 Cleaning the Unit	154
....4.13.1 Cleaning the Air Vents	155
....4.13.2 Cleaning the Document Feeder Area	156
....4.13.3 Cleaning the Transfer Roller:	157
4.14 LCD Error Messages	158
4.15 Error Codes	159
....Dialing errors	160
....Reception errors	161
....Transmission errors	162
....Communication Error Messages	163
4.16 "Please Call Service" Error	164
....4.16.1 Printer Initialization Error	165
....4.16.2 Laser Error	166
....4.16.3 Polygon Mirror Error	167
....4.16.4 Fan Motor Error	168
....4.16.5 Fuser Malfunction	169

5 Disassembly

5.0 Disassembly	170
5.1 Document Hopper / Document Tray / Paper Hopper	171
5.2 Main Control PCB , NCU PCB, Modular PCB	172
5.3 Front Cover and Control Panel PCB / LCD	173
5.4 Scanner Assy and Scanner Frame	174
5.5 Inverter PC Board / Scanner Lamp	175
5.6 Scanner Assy A, B, C and Inter Lock Switch	176
5.7 TX Cover and Lock Lever	177
5.8 DS1 / DS2	178
5.9 Press Roller	179
5.10 Separator Roller	180
5.11 Exit Roller / Feed Roller	181
5.12 Stamp	182
5.13 TX Motor	183
5.14 Contact Glass	184
5.15 Speaker	185
5.16 Connector PCB 1 / Connector PCB 2	186
5.17 Printer I/F PCB/Printer Mechanical Controller PCB	187
5.18 Printer Unit	188
5.19 Image Transfer Unit	189
5.20 Printer Cover Unit	190
5.21 High Voltage Unit (PWB-F)	191
5.22 Paper Sensor (PS)	192
5.23 Power Supply Unit (PWB-E)	193
5.24 Heater Lamp	194
5.25 Fusing Unit	195
5.26 Thermistor	196
5.27 Paper Exit Sensor	197
5.28 Print Head Unit	198
5.29 Cassette PCB and PS/Cassette sensor	199
5.30 Pickup Roller W assy and Solenoid	200
5.31 Feed Roller W and Press Roller W	201
5.32 Bottom Stay and Cassette Frame	202

6 Illustrated Parts List

Illustrated Parts List	203
....Illustrated Part List 1: Panel/Cover/Hopper	204
....Illustrated Part List 2A (1/3): Transmission	205
....Illustrated Part List 2B (2/3): Transmission	206
....Illustrated Part List 2C (3/3): Transmission	207
....Illustrated Part List 3: Scanner Frame	208
....Illustrated Part List 4: Bottom Chassis	209
....Illustrated Part List 5: Cassette	210
....Illustrated Part List 6: Power Supply	211

Table of Contents**Page**

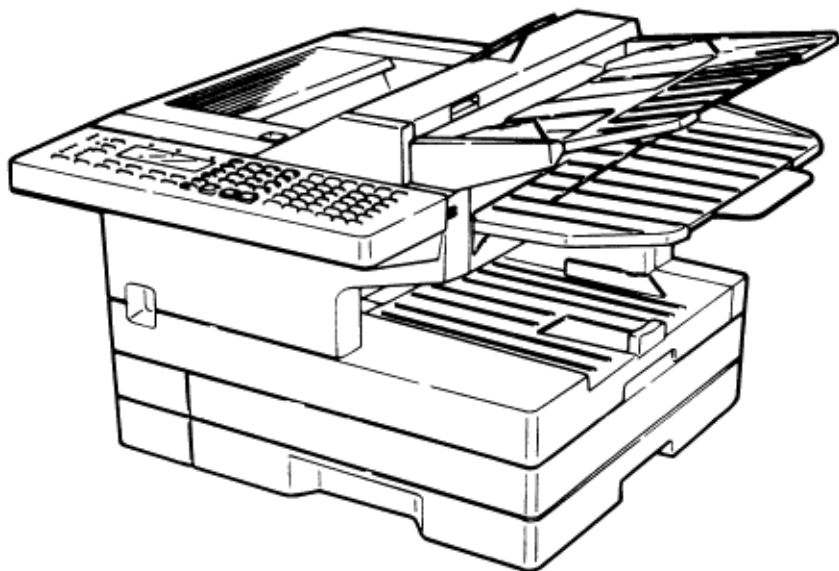
....Illustrated Part List 7: Housing	212
....Illustrated Part List 8A: Drive/Paper Take-Up Section 1	213
....Illustrated Part List 8B: Drive/Paper Take-Up Section 1	214
....Illustrated Parts List 9: Paper Take-Up Section 2	215
....Illustrated Parts List 10: Transfer Unit	216
....Illustrated Parts List 11: Fusing Unit	217
....Illustrated Parts List 12: Options	218
....Illustrated Parts List 13: Consumables	219
....Illustrated Parts List 14: Accessories	220
....Illustrated Parts List 15: Packaging	221
....Illustrated Parts List 16: Documentation (User's)	222
....Illustrated Parts List 17: Documentation (Service)	223
....Illustrated Parts List 18: Whole Product	224
7 Recommended Spare Parts List	
RSPL	225



Service Manual for OF5800

Chapter 1 General Description

The OKIFAX 5800 is a Group 3 facsimile machine. Documents are printed on plain paper using dry electrophotographic printing.



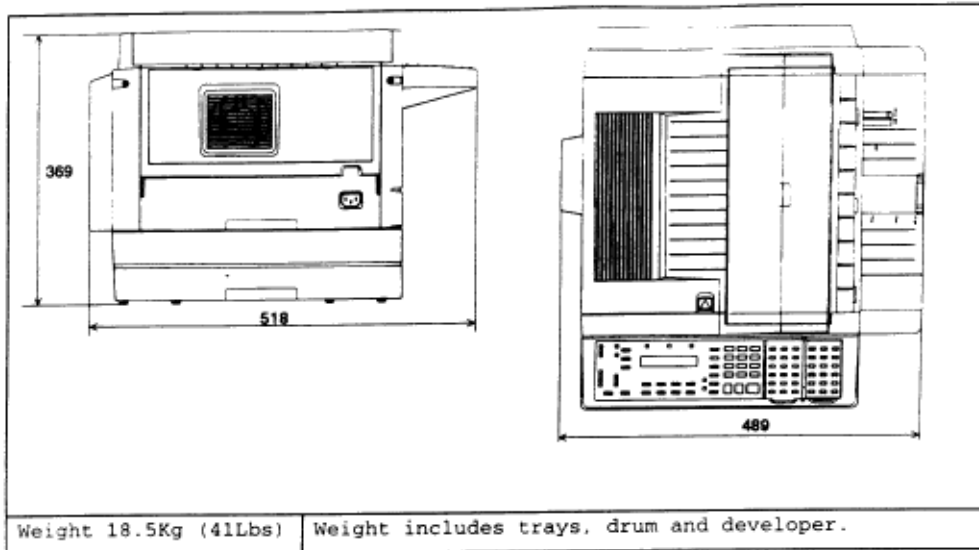
Copyright 1997, Okidata, Division of OKI America, Inc. All rights reserved. See the OKIDATA Business Partner Exchange (BPX) for any updates to this material. (<http://bpx.okidata.com>)



Service Manual for OF5800

Chapter 1 General Description

Item	Specifications / Comments
Type	Group 3 desktop transceiver
Telephone network	PSTN (Public Switched Telephone Network) or equivalent
Transmission control protocol	ITU-T T.4 and T.30
Modem	14400, 12000, 9600, 7200, 4800, and 2400 bps with automatic fallback per ITU-T, V.17, V33, V.29, V.27ter, and V21. Control signal speed is 300 bps.
Coding	ITU-T-standard MH, MR and MMR, Murata-proprietary MSE
Communication method	Half-duplex
Dual Access	Allows up to three simultaneous operations
Error Correction Mode (ECM)	Transmit and receive Buffer capacity: 64 KB
Scanning method	Flatbed CCD
Recording method	Dry electrophotographic printer
Resolution Horizontal:	8 pels/mm (203 lpi) Vertical: S.Fine 15.4 l/mm (392 lpi), Hyperfine 11.55 l/mm (293 lpi), Fine 7.7 l/mm (196 lpi), Normal 3.85 l/mm (98 lpi)
Scanning width	208 mm (8.2 in)
Printing width	208 mm (8.2 in)
Document size	Single sheet Max: 280 mm (W) x 900 mm (L) (11 x 35 in) Min: 148 mm (W) x 105 mm (L) (5.8 x 4.1 in) Two or more sheets Max: 257 mm (W) x 365 mm (L) (10.1 x 14.4 in) Min: 148 mm (W) x 105 mm (L) (5.8 x 4.1 in)
Document thickness	0.06 mm to 0.13 mm
Recording paper specifications	Legal : 216 mm (W) x 356 mm (L) (8.5 x 14 in) Letter : 216 mm (W) x 279 mm (L) (8.5 x 11 in)
Recording Paper Capacity Paper Cassette:	500 sheets
Multipurpose tray:	150 sheets
Power requirements	120 VAC \pm 10 %; 50/60 Hz
Power consumption	Standby: 14 W Transmit: 363 W (Memory transmit) Receive: 373 W Copy: 372 W Maximum: 396 W (Copying a solid black image)
Environmental conditions	Ambient temperature: 10 °C to 35 °C (50 to 95 degrees F)
Relative humidity:	35 % to 80 % with no condensation
Weight	18.5Kg (41Lbs) Weight includes trays, drum and developer.



Lithium Battery Precautions:

There is a danger of an explosion if the battery is installed incorrectly. Replace the battery with the equivalent type. Discard used batteries according to the battery manufacturer's instructions. OKIDATA does not recommend the independent replacement of this battery. The battery is sold only as a component part of the main control PCB and cannot be purchased separately from OKIDATA.

Copyright 1997, Okidata, Division of OKI America, Inc. All rights reserved. See the OKIDATA Business Partner Exchange (BPX) for any updates to this material. (<http://bpx.okidata.com>)



Service Manual for OF5800

Chapter 1 General Description

Feature	Comment
Display	LCD: 2 line, 20 characters per line. language: English, French, Spanish and Portuguese.
Transmit Terminal Identifier (TTI)	Alphanumeric or symbol, up to 22 characters
Subscriber ID	Numeric, up to 20 characters
AutoDial	200 total; 140 speed dial, 60 one-touch. 12 programmable one-touch (Up to 40 digits per location; 16 characters per location ID)
Telephone index	Select AutoDial entries in LCD by Location ID name.
Redial	Auto redial in fax mode, programmable for 2 to 5 attempts at 3 , 4 or 5 minute intervals; manual last-number redial.
Cover page	Cover page shows date and time, sender's name and fax number, and a 40-character user-programmable message.
Delayed transmission	Up to 20 delayed transmissions; programmable up to 31 days in advance.
Relay broadcast	Initiation up to 10 locations and hub abilities up to 10 groups (This is a proprietary function)
Broadcast	Up to 209 locations
Group Communication	Allows multiple broadcast or polling locations to be placed in up to 32 call groups. Up to 200 locations can be placed in a group. Group 0 includes all AutoDial locations.
Polling	Transmit from memory or receive; Standard polling, delayed polling programmable up to 31 days in advance, database polling (10 files, 4 digit file number) (This is a proprietary function)
SecureMail	Transmit and receive (10 mailboxes for receiving, 4 digit passcode)
Batch Transmission	5 boxes with a location ID of 16 characters. 40 files per box. Programmable up to 24 hours per box.
Security Transmission	Compares the last 4 numbers of the dialed fax number to the last 4 digits of the subscriber ID.
Receive mode	Tel ready, Fax ready. Select by pressing the receive key
Auto answer	In Fax ready mode, select 1 to 9 rings. (Requires optional handset for ring)
Block junk fax	Ability to reject "junk fax" receptions
Remote diagnostics	Available
Second telephone jack	For connecting Telephone Answering Device (TAD) or second phone.
On-hook dialing	Provides hands-free dialing for voice calls.
Hold	Melody: Not Available Holding time: 5 minutes (works only if the handset is attached)
Call request	During sending or receiving, a voice conversation can be initiated on the same call after each page is printed.
Copy mode	Single or multiple copies; up to 99, with sorting
Distinctive ring detection	Ability to answer on specific ring patterns. User selectable

Automatic reduction	Automatically reduces incoming documents to fit on receive paper Manual settings: 100%, 97%, 91%, 81%, 75%.
Half page reception	Combines half page fax messages onto a single page.
Out of paper reception	Receives up to 25 communications to memory if a Paper-Out, Toner-Out, or Cover Open condition exists.
Closed network	Proprietary network option
Silent operation	Disables the Operation Complete tone
Confirmation stamp	Stamps transmit document while feeding.

Copyright 1997, Okidata, Division of OKI America, Inc. All rights reserved. See the OKIDATA Business Partner Exchange (BPX) for any updates to this material. (<http://bpx.okidata.com>)



Service Manual for OF5800

Chapter 1 General Description

Report	Description
User settings list	Prints current machine settings as programmed by the user.
One-touch dial list	Prints numbers stored in the one-touch keys.
Speed dial list	Prints phone numbers stored in speed dial locations.
Program one-touch list	Prints numbers stored in programmable one-touch keys.
Group number list	Prints groups stored in the autodialer.
Function list	Prints a program mode list showing user programming tree.
T.30 monitor	Prints a diagnostic procedural summary of the last fax communication; used for technical diagnostics.
Confirmation Report	Transmit Confirmation Report (TCR) or Receive Confirmation Report (RCR); User selectable on/off.
Activity journal	Prints a cumulative total of the last 50 transmissions or receptions; user selectable as manual or automatic.
Cover page	Transmit cover page showing date, receiver's and sender's names, and a 40-character user-programmable message.
SecureMail box list	SecureMail boxes with owners' names.
SecureMail reception message	Notifies mailbox owners of SecureMail receptions.
Batch transmission box list	Batch transmission boxes stored with remote fax number and transmit starting time
Batch transmission document	Print the documents stored in the batch transmission box
Command list	Shows the delayed and pending commands.
Power failure report	Prints if any documents in memory were erased due to power failure
Check message	Prints if communication error occurs; accompanied by audible alarm.



Service Manual for OF5800

Chapter 1 General Description

Item	Specifications / Comments
Scanning resolution	Horizontal: 12 dots/mm (304.8 dpi) Vertical: 15.4, 11.55, 7.7, 3.85 lines/mm
Scanning area	Top of Page: -2mm +/- 4mm Bottom of Page: +/- 3mm
Scanning reference point	Center of page
Document Contrast	Compensation for normal, dark, or light documents
Grayscale	64 level grayscale (Diffusion and Dither)
Document feeder capacity	50 sheets of 20lb bond paper
Original document feeding direction	Face up
Document scan time	Normal: 1.7 sec/page Fine: 3.4 sec/page Sfine: 6.8 sec/page
Primary Resolution	Normal, Fine, Sfine, or Grayscale; user selectable
Document Skew	+/- 1%

Copyright 1997, Okidata, Division of OKI America, Inc. All rights reserved. See the OKIDATA Business Partner Exchange (BPX) for any updates to this material. (<http://bpx.okidata.com>)



Service Manual for OF5800

Chapter 1 General Description

Item	Specifications / Comments
Printing resolution	Laser diode beam scanning Horizontal: Fax 609.6 dpi Vertical: Fax 586.7 dpi
Printing method	One-component non-magnetic toner xerographic printer
Developer	One-component developer
Fusing method	Heat roller
Toner yield	Starter kit: 3,600 pages Supply kit: 5,500 pages * All yields are based on 4% document coverage.
Print area	Top margin: 4 mm Bottom margin: 4 mm
Printer reference	Left margin
Paper cassette capacity	Paper cassette: 500 sheets, letter only Multi-purpose tray: 150 sheets, letter or legal
Receive paper tray capacity	100 sheets
Auto reduction rate	97.5% to 70% at 2.5% intervals when auto reduction is selected.
Printer warm up time	Under 40 seconds (when in Power Save Mode)

Copyright 1997, Okidata, Division of OKI America, Inc. All rights reserved. See the OKIDATA Business Partner Exchange (BPX) for any updates to this material. (<http://bpx.okidata.com>)



Service Manual for OF5800

Chapter 1 General Description

Item	Specifications / Comments
Document Memory	1 Megabyte - 78 pages Optional memory upgrade: Up to three, 2 MB upgrades can be installed for a total of 6 MB. (each 2 MB upgrade provides an additional 160 pages)
Document memory backup	Standard Memory: 108 hours <ul style="list-style-type: none">• with one upgrade card• with two upgrade cards installed: 36 hours• with three upgrade cards installed: 27 hours
Programmable data memory backup (SRAM)	Lithium Battery: 5 year life Contents: All programmable machine parameters
Memory usage indication	LCD during document storage



Service Manual for OF5800

Chapter 1 General Description

Item	Specifications / Comments
Drum Cartridge	20,000 pages based on 4% document coverage
Toner Cartridge	Starter: 3,600 pages Supply: 5,500 pages * All yield based on 4% document coverage
Transfer unit	50,000 pages
Fuser unit	50,000 pages

Copyright 1997, Okidata, Division of OKI America, Inc. All rights reserved. See the OKIDATA Business Partner Exchange (BPX) for any updates to this material. (<http://bpx.okidata.com>)



Service Manual for OF5800

Chapter 2 Machine Operations

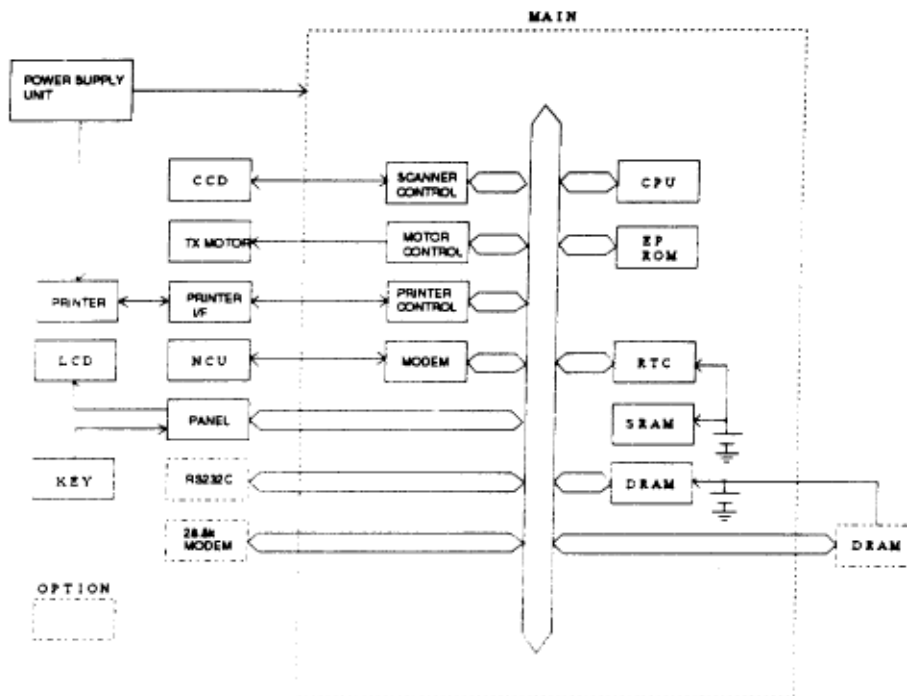
To be provided at a later time.

Copyright 1997, Okidata, Division of OKI America, Inc. All rights reserved. See the OKIDATA Business Partner Exchange (BPX) for any updates to this material. (<http://bpx.okidata.com>)

The main control PCB controls the operations of all machine functions. Jumper JP1 on the main control PCB controls the data memory back-up. Memory data that is backed-up in the event of a power failure includes any stored documents.

Jumper JP2 on the main control PCB controls the programmable data memory back-up. Memory data that is backed-up in the event of a power failure includes user programmed information such as the date, time, TTI, autodialer, memory switches, etc. If the Passcode is forgotten, removing JP2 will clear all User Settings.

NOTE: JP1, JP2, should remain in the "ON" position at all times. Be sure to check this on all replacement boards.



Main control PCB block diagram

The main control unit controls all function of the machine. Following are its components:

Fax Engine

CPU -- The CPU is the core of the control section. It controls all other sections.

Scanner Control --- Processes the signal from the Charge Coupled Device (CCD).

Modem --- The modem facilitates modulation and demodulation of data for fax communication.

Memory (EPROM, SRAM, DRAM)

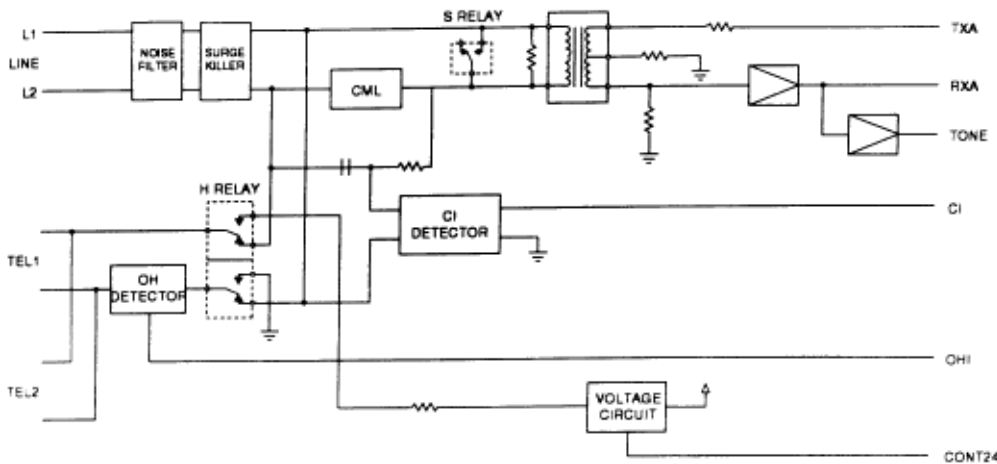
EPROM -- - The EPROM contains all program instructions for unit operation.

SRAM --- The SRAM, which is backed-up by a lithium battery, is used to store user programmed information.

DRAM --- The DRAM, which is backed-up by a battery, is used to store memorized documents along with being a buffer.

Copyright 1997, Okidata, Division of OKI America, Inc. All rights reserved. See the OKIDATA Business Partner Exchange (BPX) for any updates to this material. (<http://bpx.okidata.com>)

The NCU PCB provides the connection to the telephone line. It consists of the interface circuit, dial pulse generator, ring signal detection and telephone control circuit.



NCU PCB block diagram

Major components of the NCU

CML relay - Connects the telephone line to the phone or fax. (CML means Connect Machine to Line)

S relay - Used to send dial pulse signals in pulse dialing.

OH detector - Detects the On-hook condition of the second telephone unit.

H relay - Connects the Tel1 and Tel2 lines to the fax machine.

CI Detector - A photo coupler that detects an incoming ring. (CI means Call Indicator)

Voltage Circuit - Supplies 24 volts to the relays

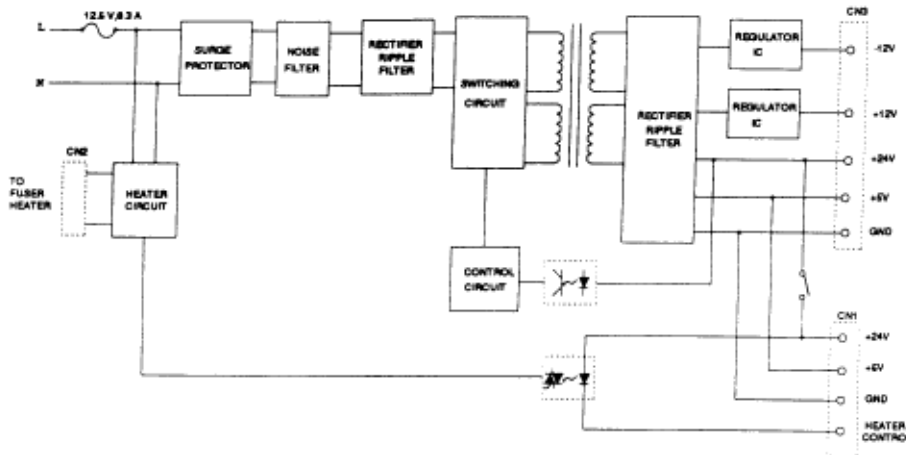


Service Manual for OF5800

Chapter 2 Machine Operations

The power supply unit receives the input line voltage and converts it to output voltages of +5 VDC, +24 VDC, +12 VDC, and -12 VDC.

If an over current condition is sensed in the secondary circuit, power is interrupted.



Power supply unit block diagram

The power supply unit has three output connectors. The following table shows the connector outputs: CN1 to the Printer Mechanical Control PCB, CN2 to the Fuser Heater, and CN3 to the Main Control PCB.

CN1 Printer Mechanical Control PCB					
Pin No.	1	2	3	4	5
Output	+24V	GND	GND	+5V	H.L

CN2 Fuser			
Pin No.	1	2	3
Output	N	N.C	L

CN3 Main Control PCB								
Pin No.	1	2	3	4	5	6	7	8
Output	+24V	+24V	GND	GND	+12V	-12V	+5V	+5V

Image and programmed data is backed-up in the event of a power failure.



Service Manual for OF5800

Chapter 2 Machine Operations

The CCD (Charge Coupled Device) includes the photo sensitive device, charge transfer registers and output stage. The photo sensitive device is a MOS capacitor. It receives light which is reflected from the surface of the document through the lens and converts the received light energy into a series of electrical signals. These signals are then stored as a charge. The charge transfer registers send the signals sequentially to the output stage which converts them into appropriate voltages representing black and white images.

The output stage sends voltages to the Main Control PCB for further processing.

Copyright 1997, Okidata, Division of OKI America, Inc. All rights reserved. See the OKIDATA Business Partner Exchange (BPX) for any updates to this material. (<http://bpx.okidata.com>)



Service Manual for OF5800

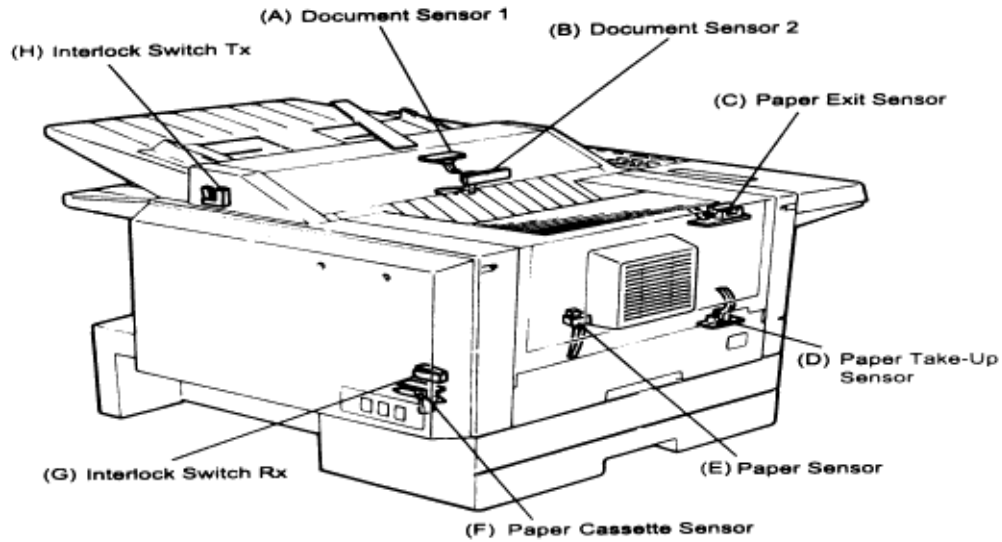
Chapter 2 Machine Operations

2.6.1 Sensor Locations

2.6.2 Sensor Descriptions

Copyright 1997, Okidata, Division of OKI America, Inc. All rights reserved. See the OKIDATA Business Partner Exchange (BPX) for any updates to this material. (<http://bpx.okidata.com>)

The following illustration shows the relative positions of the machine's sensors

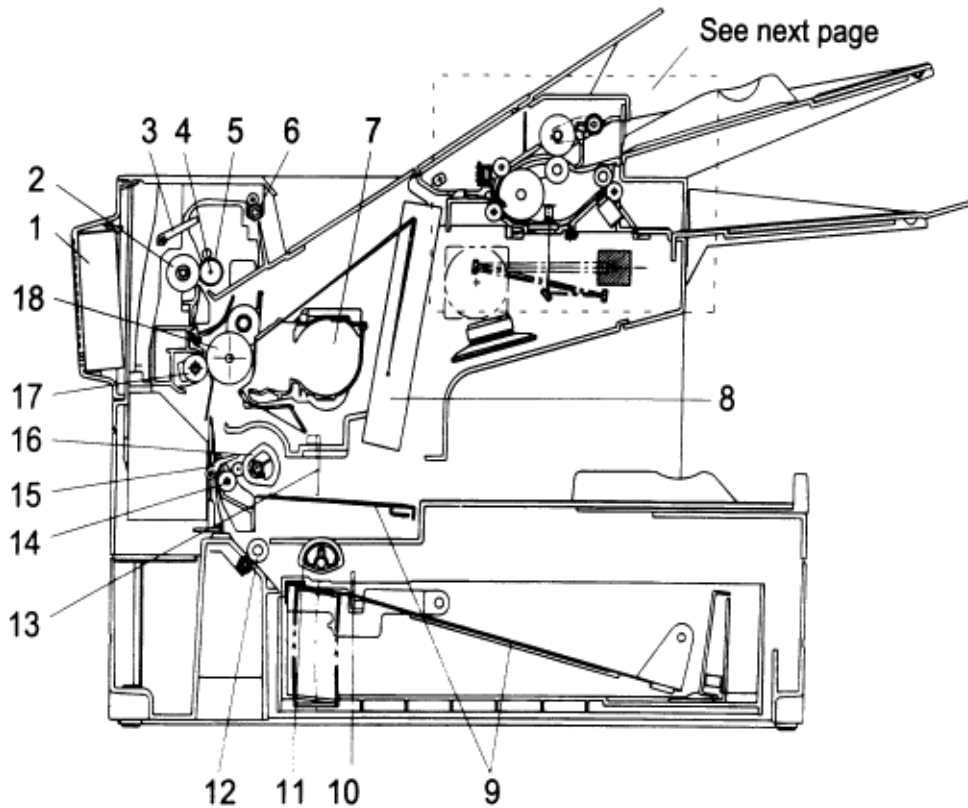


Copyright 1997, Okidata, Division of OKI America, Inc. All rights reserved. See the OKIDATA Business Partner Exchange (BPX) for any updates to this material. (<http://bpx.okidata.com>)

The following table gives a brief description of each sensor and its function.

	Sensor	Code	Sensor Type	Detects
A	Document Sensor 1	DS1	Photo interrupter	Presence of document in feeder
B	Document Sensor 2	DS2	Photo interrupter	Leading and trailing edge of doc.
C	Paper Exit Sensor	PC3	Photo interrupter	Detects jam at paper exit.
D	Paper Sensor 2	PC1	Photo interrupter	Detects paper feeding out of tray/cassette
E	Paper Sensor	PS	Photo interrupter	Presence of paper in tray
F	Paper Sensor/Cassette Sensor/	PS/C	Photo interrupter	Presence of recording paper
G	Rx Interlock	RXIL	Micro switch	Printer cover open
H	Tx Interlock	TXIL	Micro switch	Scanner cover open

Copyright 1997, Okidata, Division of OKI America, Inc. All rights reserved. See the OKIDATA Business Partner Exchange (BPX) for any updates to this material. (<http://bpx.okidata.com>)



1. Fan Motor
2. Lower Fusing Roller
3. Paper Exit Sensor
4. Heater Lamp
5. Upper Fusing Roller
6. Paper Exit Roller
7. Toner Cartridge
8. Print Head Unit
9. Paper Lift-Up Plate
10. Paper Cassette Sensor
11. Paper Pick-up Roller
12. Paper Feed Roller
13. Paper Sensor
14. Paper Transfer Roller
15. Paper Take-up Sensor
16. Paper Take-up Roller (Tray)
17. Image Transfer Roller
18. Drum Cartridge

Copyright 1997, Okidata, Division of OKI America, Inc. All rights reserved. See the OKIDATA Business Partner Exchange (BPX) for any updates to this material. (<http://bpx.okidata.com>)



Service Manual for OF5800

Chapter 2 Machine Operations

2.8.1 Document Detection

2.8.2 Document Separation

2.8.3 Document Transport

2.8.4 Document Scanning

2.8.5 Document Discharge

Copyright 1997, Okidata, Division of OKI America, Inc. All rights reserved. See the OKIDATA Business Partner Exchange (BPX) for any updates to this material. (<http://bpx.okidata.com>)



Service Manual for OF5800

Chapter 2 Machine Operations

When a document is placed into the document feeder, Document Sensor 1 (DS1) is activated.

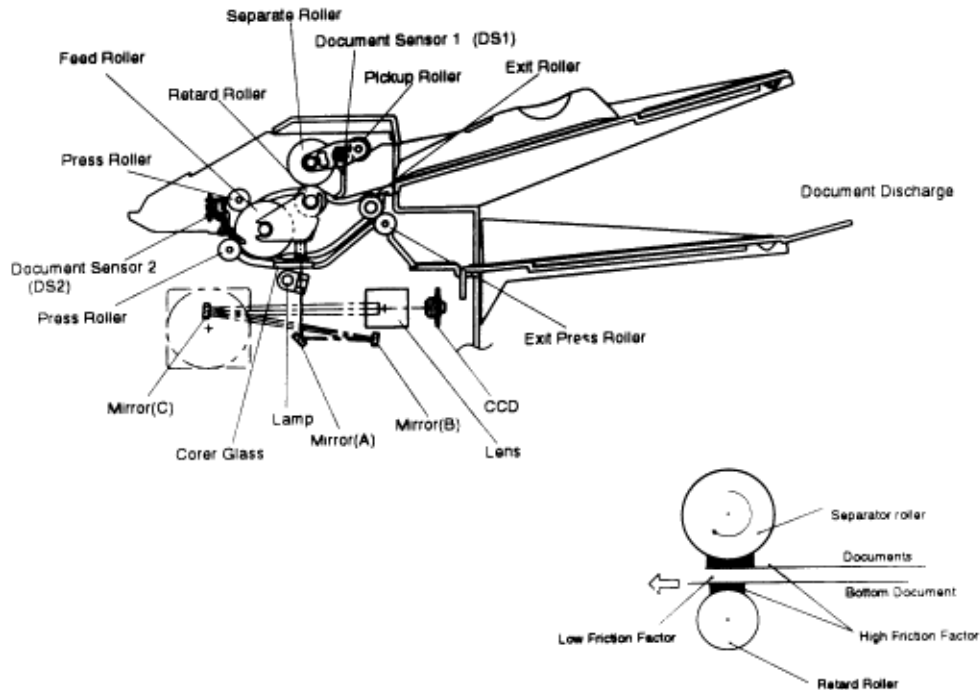
Copyright 1997, Okidata, Division of OKI America, Inc. All rights reserved. See the OKIDATA Business Partner Exchange (BPX) for any updates to this material. (<http://bpx.okidata.com>)



Service Manual for OF5800 Chapter 2 Machine Operations

Document separation is the process that allows a multi-page document to feed through the scanner one page at a time. Separation occurs through the action of the separator roller and retard roller.

As shown in the illustrations, documents in the feeder are pressed against the separator roller. The bottom document is separated from the remaining documents by the friction of the retard roller.





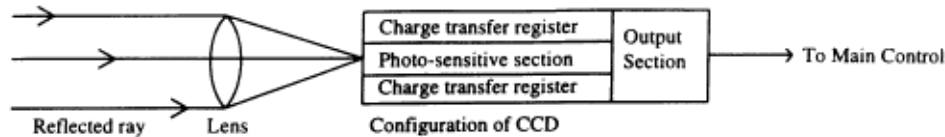
Service Manual for OF5800

Chapter 2 Machine Operations

Following document separation, the feed roller advances the document. As it advances, the leading edge of the document activates the Document Sensor 2(DS2). Once DS2 is activated, the feed roller continues to rotate until the document reaches the scan wait position. The machine uses the distance from DS2 to the scan wait position and the diameter of the feed roller to determine the number of rotations necessary to feed the document to the scan wait position.

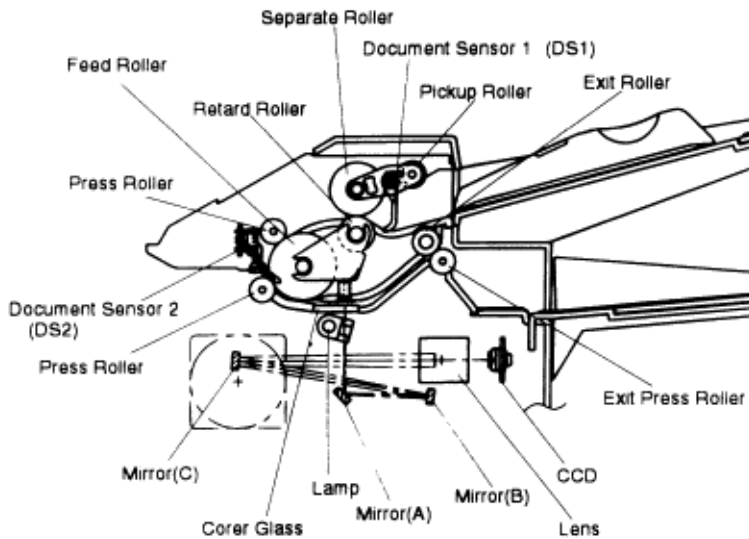
Copyright 1997, Okidata, Division of OKI America, Inc. All rights reserved. See the OKIDATA Business Partner Exchange (BPX) for any updates to this material. (<http://bpx.okidata.com>)

When the document reaches the scan wait position, the machine waits for the next command. It will start scanning the document when either the start or copy key is pressed. The light from the scanner lamp strikes the face of the document and is reflected into the lens through mirrors A, B, and C. In case the light intensity along the length of the scanner lamp is not uniform, shading compensation is provided to ensure even illumination.



As the reflected image passes through the lens, it is focused onto the charged coupled device (CCD). The CCD then converts the dark and light areas of the image into electrical impulses, or image data. Circuits on the main control PC board encode the image data and send it to the modem where it is modulated. The modulated signal is then placed onto the telephone line by the NCU.

When DS2 detects the trailing edge of the document, the image signal output is turned off. The scanner continues to remain active for a few more seconds in case there is another document to follow.





Service Manual for OF5800

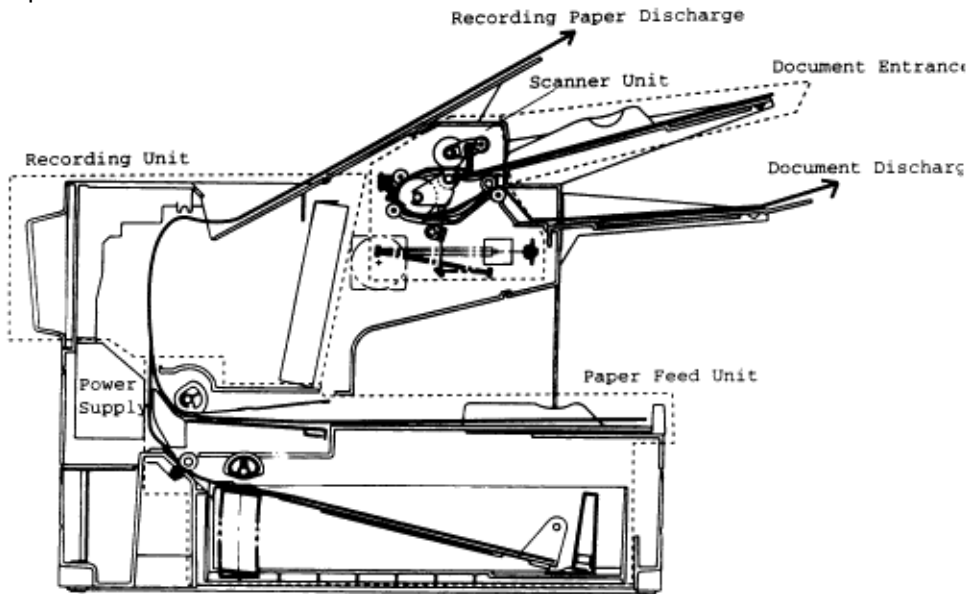
Chapter 2 Machine Operations

The scanned document is discharged through the document exit by the exit press roller.

Copyright 1997, Okidata, Division of OKI America, Inc. All rights reserved. See the OKIDATA Business Partner Exchange (BPX) for any updates to this material. (<http://bpx.okidata.com>)

2.9.1 Recording Paper Feed Path

A sheet of the recording paper is separated from the remaining paper by the friction of the pickup roller. The paper is moved along the paper guide until it reaches the platen roller. It is then fed by the rotation of the platen roller.



Incoming data is received from the telephone line by the NCU and sent to the main control PC board. The modem, located on the main control board, demodulates the data.

The data is then sent to the printer for image processing.

The image processing is roughly divided into the following steps:

1. Drum Charging
2. Drum Exposure
3. Development
4. Image Transfer
5. Fusing

Please see the following pages for additional explanation of the before mentioned processes.

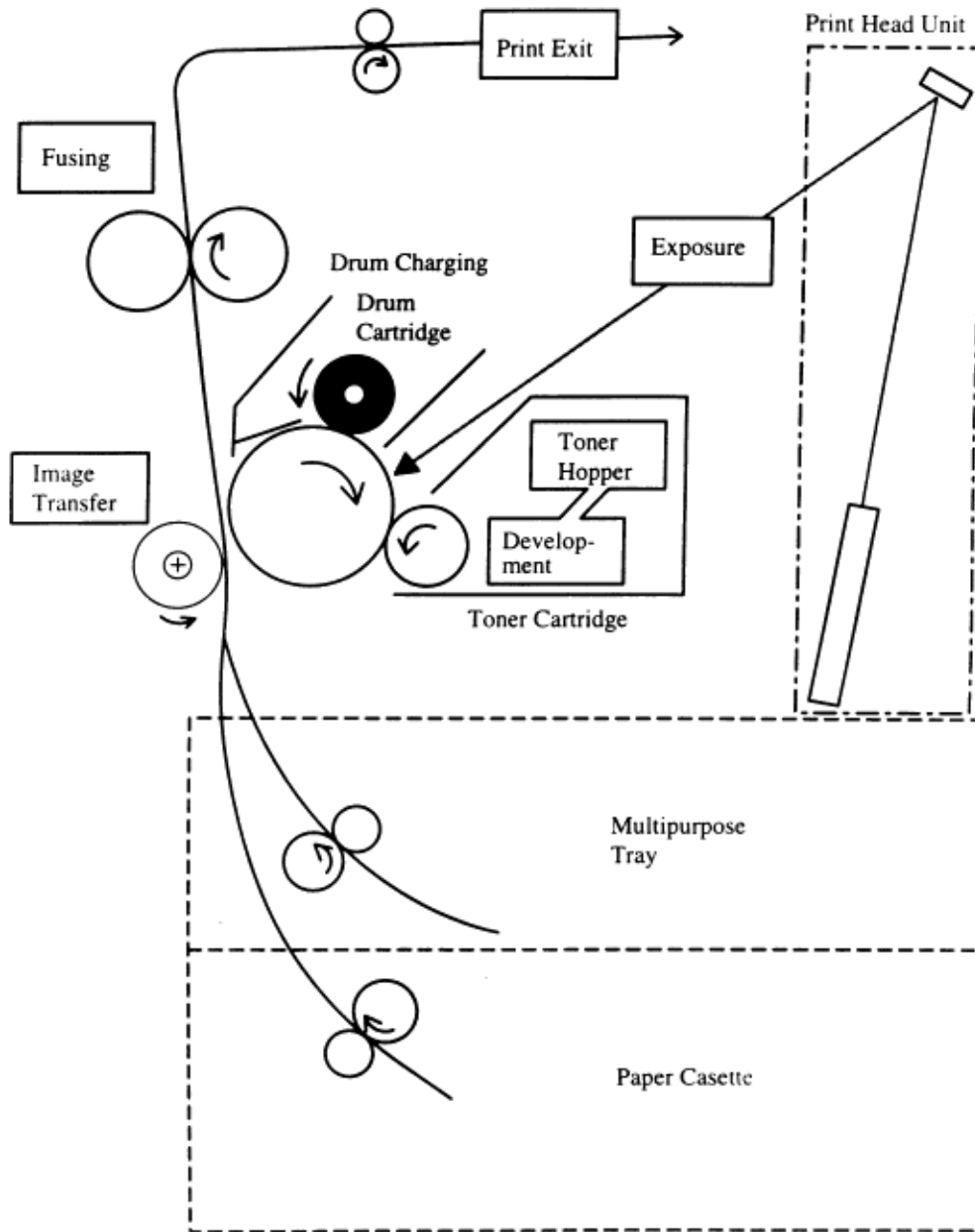
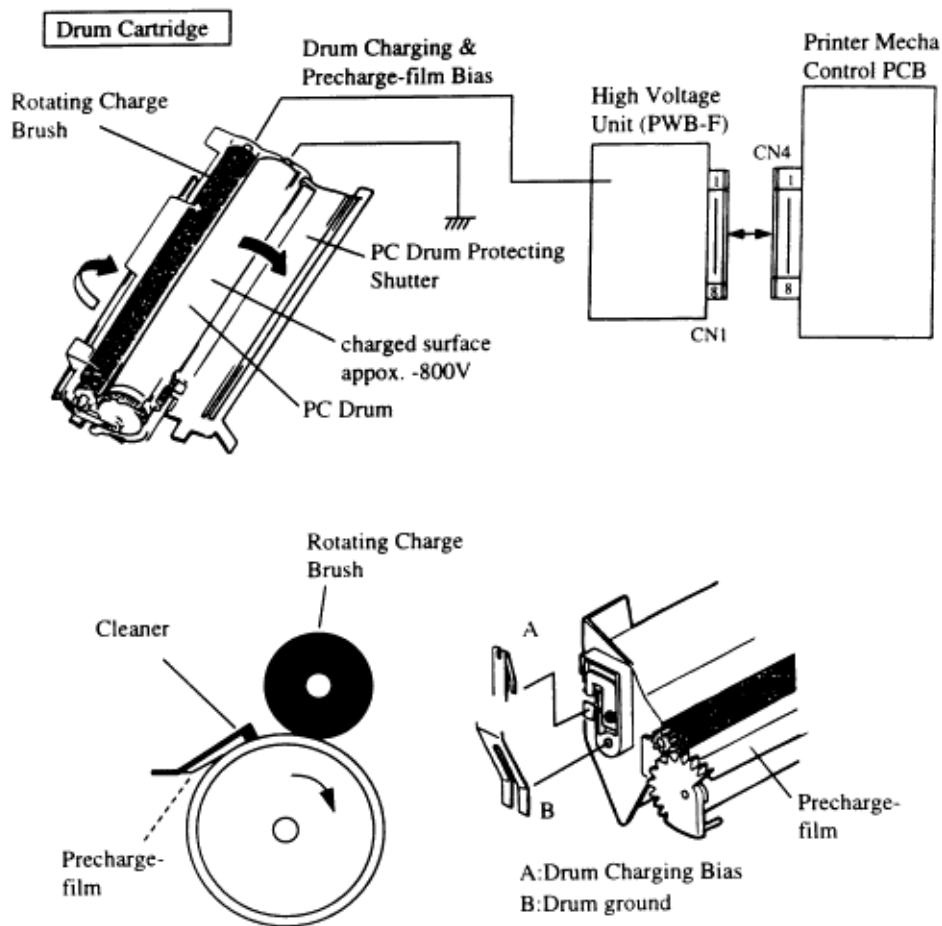


Image Processing Block Diagram

Copyright 1997, Okidata, Division of OKI America, Inc. All rights reserved. See the OKIDATA Business Partner Exchange (BPX) for any updates to this material. (<http://bpx.okidata.com>)

- The PC Drum is charged with static electricity before laser exposure. The Rotating Charge Brush and the Precharge-film are used to charge the surface of the drum.
- The rotating brush and the Precharge-film charging generate ozone in the printer. Because the charge is placed directly on the PC Drum, it can be charged by a low voltage. At the same time, the PC Drum can be evenly charged.
- The Precharge-film supplies the charge to the Rotating Charge Brush to improve the charging efficiency.
- The Rotating Charge Brush is turned by the Main Motor.



A electrostatic latent image is made by the laser beam emitted from the Print Head Unit.

- **Sub-scanning Direction (vertical)**

When the printer receives the PRINT signal, the Polygon Motor and the Main Motor rotate and paper is fed into the printer.

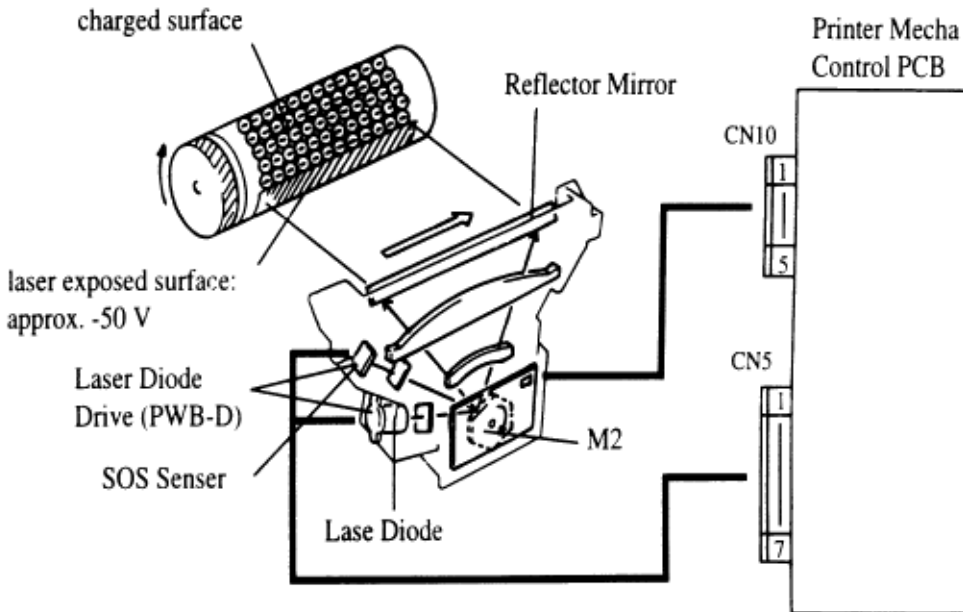
The printing in the sub-scanning direction starts when the PWB-P sends the VIDEO signal to the Printer Head at a specified time after the leading edge of the paper activates the Paper Sensor (TOD signal).

The print starting position of the 2nd line is determined by delaying the VIDEO signal.

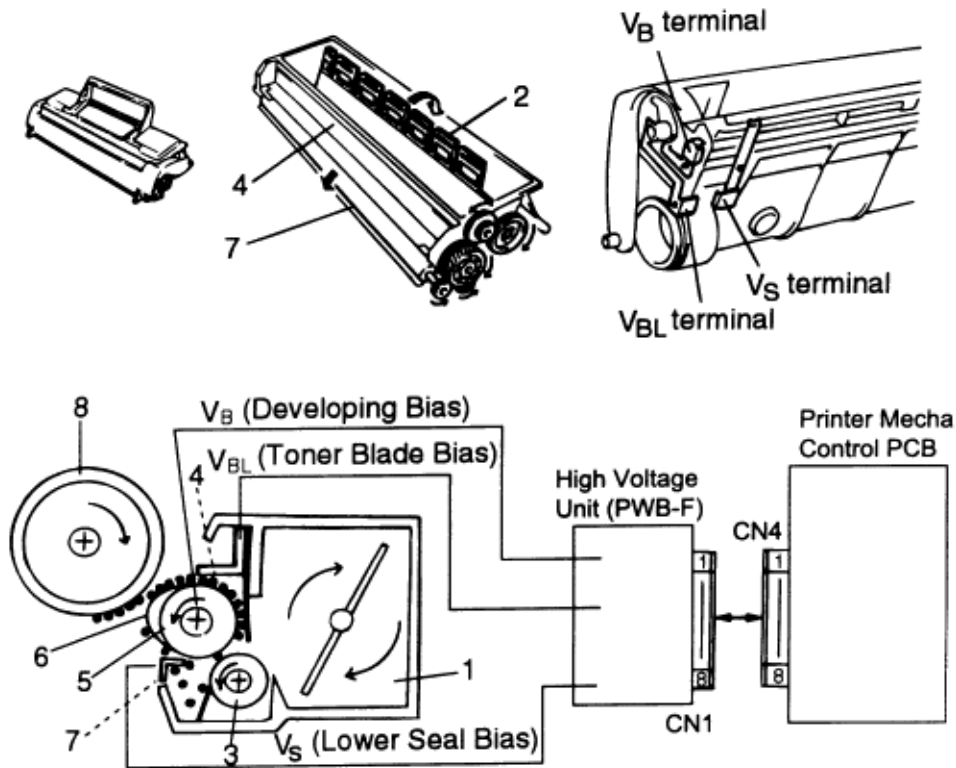
- **In the scanning direction (horizontal)**

The SOS (Start Of Scan) Sensor is installed on the Laser Diode Drive (PWB-D) to synchronize the laser timing for each scan line.

NOTE: Do **NOT** clean the lenses or mirrors in the Print Head Unit.



Toner is applied to the electrostatic image on the PC Drum. A toner image is created on the drum surface.



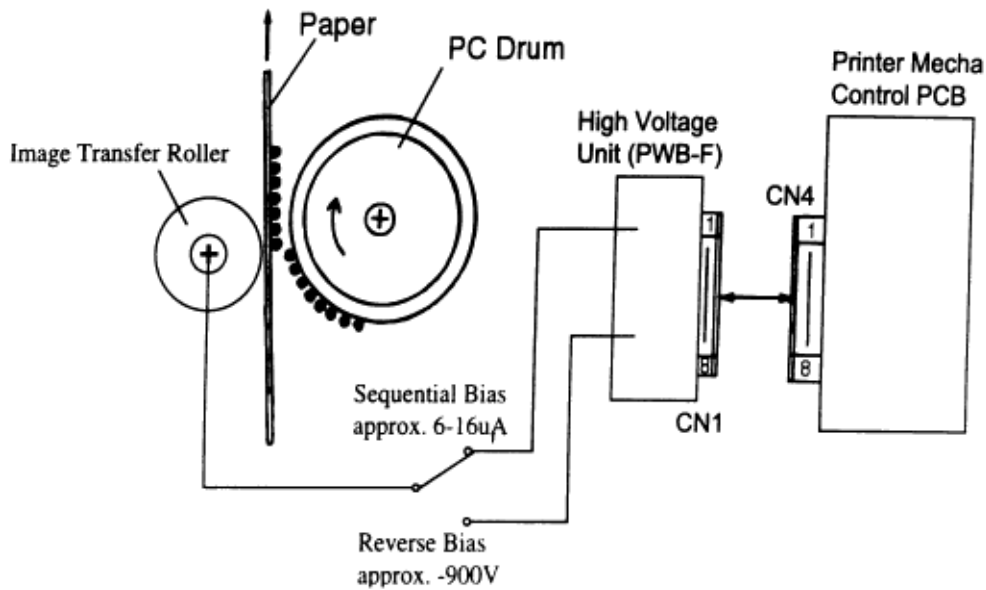
Part Name	Function
1. Toner Hopper	Contains toner.
2. Toner Agitating Screw	Agitates the toner in the Toner Hopper and sends the toner to the Toner Transport Roller.
3. Toner Transport Roller	Transports the toner to the Sleeve Roller.
4. Doctor Blade	Spreads a thin, even coat of toner over the Resin Sleeve. The toner is negatively charged when passing between this Blade and the Resin Sleeve.
5. Sleeve Roller	Rotates the Resin Sleeve.
6. Resin Seal	Carries the toner to the PC Drum surface for development.
7. Bias Seal	Collects the toner remaining on the Resin Sleeve and neutralizes charge.
8. PC Drum	Exposed to laser to create a latent image and rotates to carry the developed image to the paper surface.

Partner Exchange (BPX) for any updates to this material. (<http://bpx.okidata.com>)

An image transfer roller system is used to transfer the toner image from PC Drum to the paper.

The transfer charge (+3.2KV) is passed through the transfer roller onto the receive paper, which pulls the toner from the drum onto the receive paper.

NOTE: Do **NOT** clean the Image Transfer Roller with solvent. Use a dry cloth.





Service Manual for OF5800

Chapter 2 Machine Operations

2.10.5.1 An Overview

2.10.5.2 Fusing Temperature Control Circuit

Copyright 1997, Okidata, Division of OKI America, Inc. All rights reserved. See the OKIDATA Business Partner Exchange (BPX) for any updates to this material. (<http://bpx.okidata.com>)



Service Manual for OF5800

Chapter 2 Machine Operations

The toner image transferred to the paper is securely fixed by a heat roller fusing system. The toner image is fused by Upper Fusing Roller heated by the Heater Lamp, and securely fixed by the pressure between the Upper and Lower Fusing Rollers.

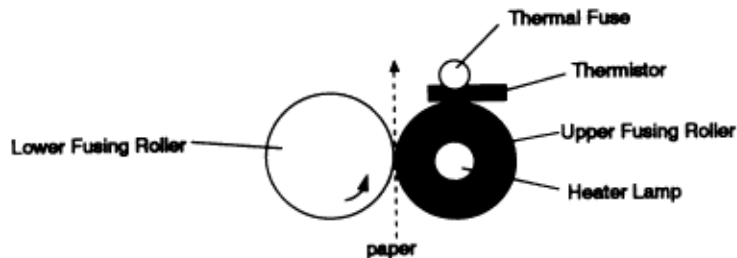
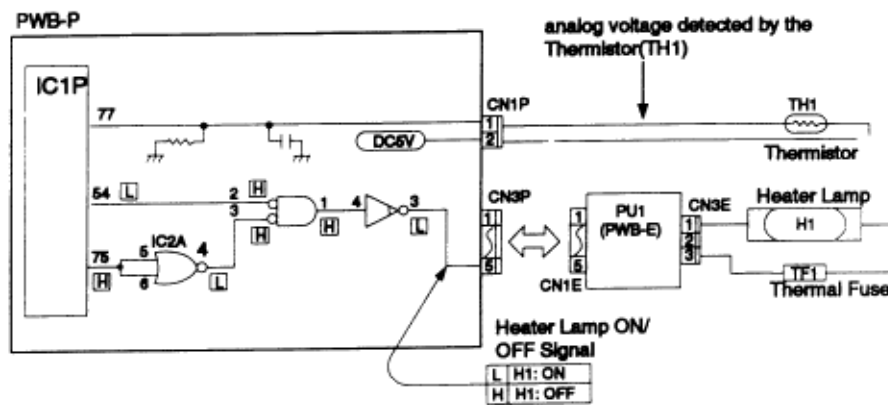
A Thermistor (TH1) detects and controls the Upper Fusing Roller temperature.

The Thermal Fuse (TF1) opens when the temperature becomes approx. 133°C and shuts down the power to the Heater Lamp.

Copyright 1997, Okidata, Division of OKI America, Inc. All rights reserved. See the OKIDATA Business Partner Exchange (BPX) for any updates to this material. (<http://bpx.okidata.com>)

The Thermistor (TH1) detects the surface temperature of the Upper Fusing Roller and inputs that analog voltage into IC1-77. Corresponding to this data, the Heater Lamp ON/OFF signal is output from IC1-54, causing the Heater Lamp (H1) to turn ON or OFF to control the fusing temperature.

If the Heater Lamp is still on after the Thermistor detects a high temperature malfunction (the surface temperature of the Upper Fusing Roller exceeds 200 °C), the signal from IC1-75 changes from H to L to turn OFF the Heater Lamp.

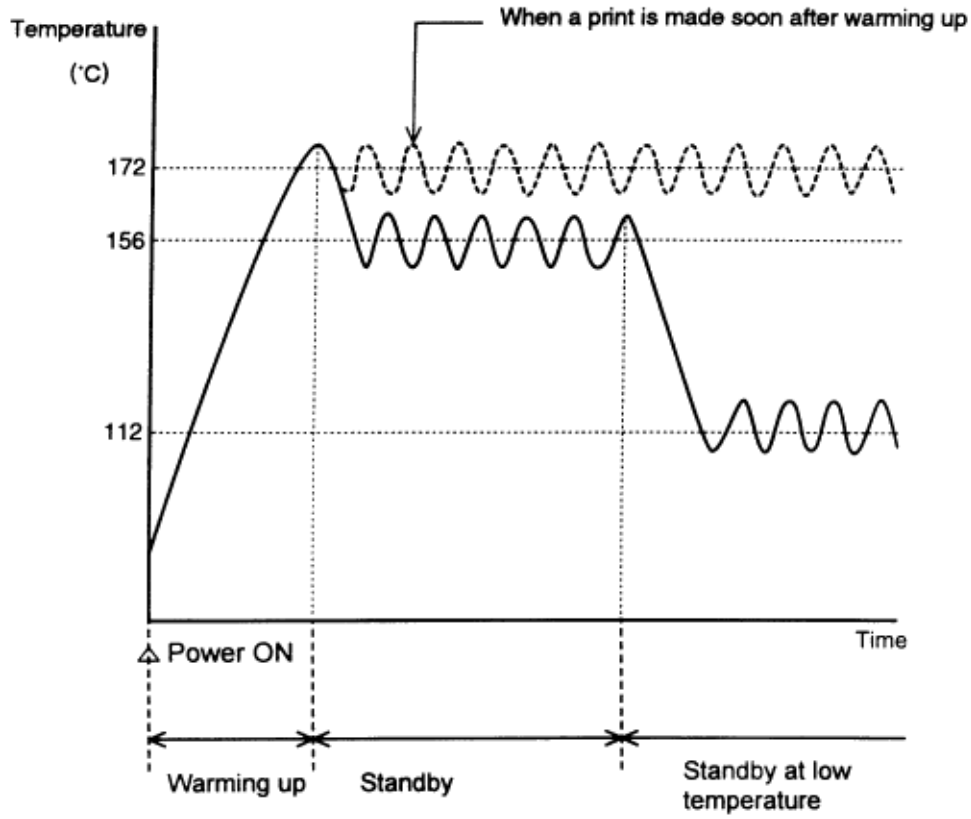


1. Warm Up - After the initialization of the printer, warm up of the printer starts and the Heater Lamp turns ON until the temperature of the Upper Fusing Roller reaches approx. 172 °C.
2. Standby - In standby mode, the temperature of the Upper Fusing Roller is maintained at 156 °C. After 3 minutes, the printer turns to power save mode. The fuser is kept at low temperature.
3. Print Cycle - When the printer obtains the printing command from its controller, the Upper Fusing Roller is maintained at 172 °C.
4. Standby at Low - The Upper Fusing Roller is maintained at temperature 112 °C.



Service Manual for OF5800

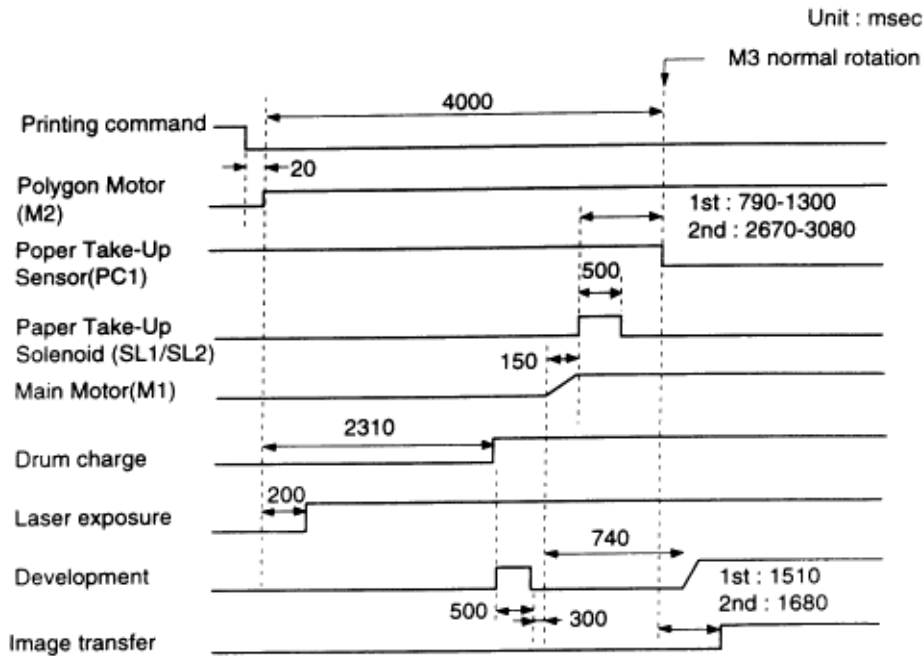
Chapter 2 Machine Operations





Service Manual for OF5800

Chapter 2 Machine Operations

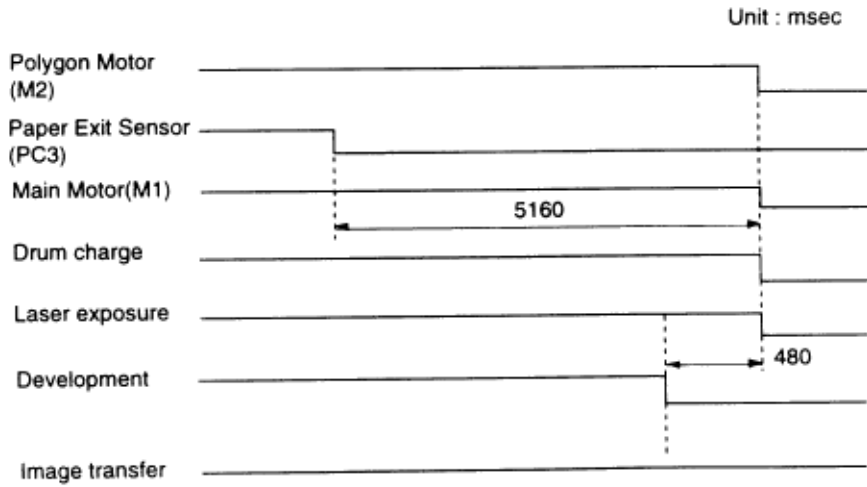


Copyright 1997, Okidata, Division of OKI America, Inc. All rights reserved. See the OKIDATA Business Partner Exchange (BPX) for any updates to this material. (<http://bpx.okidata.com>)



Service Manual for OF5800

Chapter 2 Machine Operations

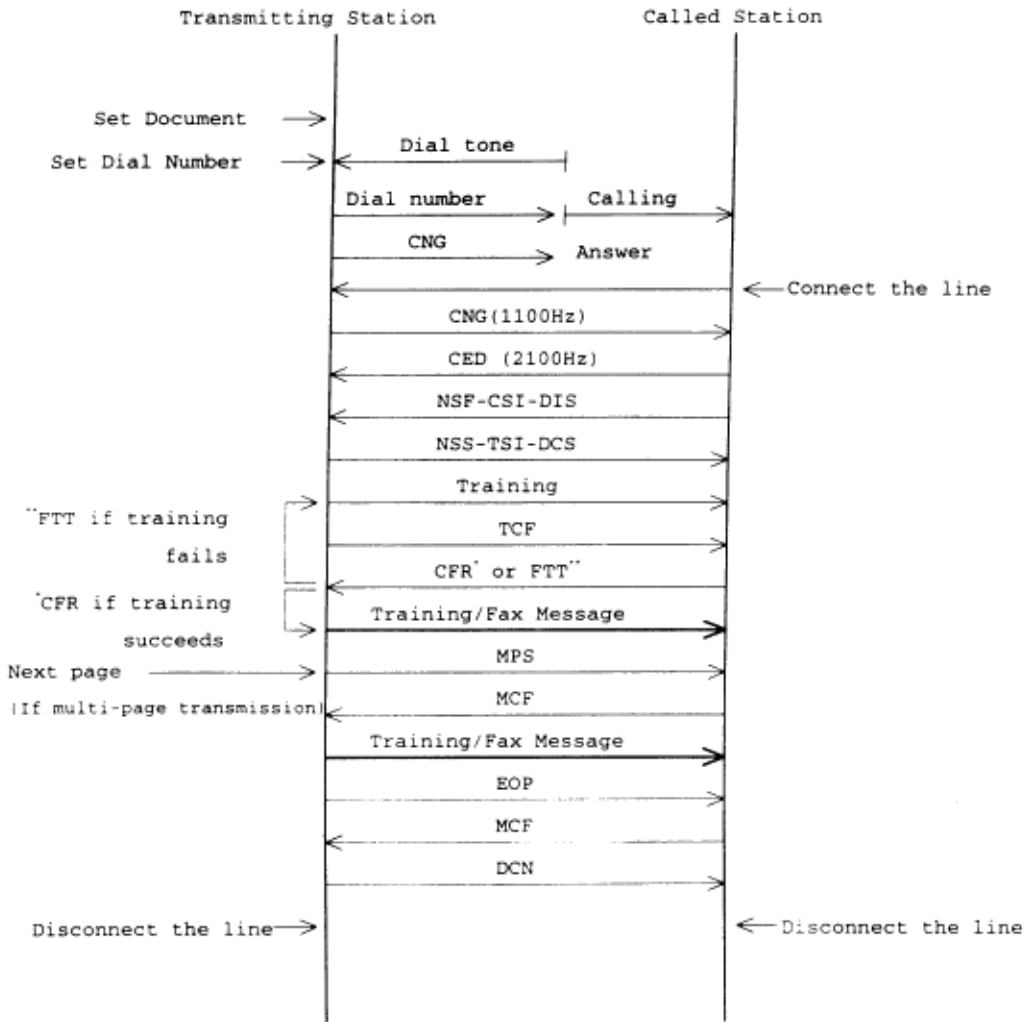


Copyright 1997, Okidata, Division of OKI America, Inc. All rights reserved. See the OKIDATA Business Partner Exchange (BPX) for any updates to this material. (<http://bpx.okidata.com>)



Service Manual for OF5800

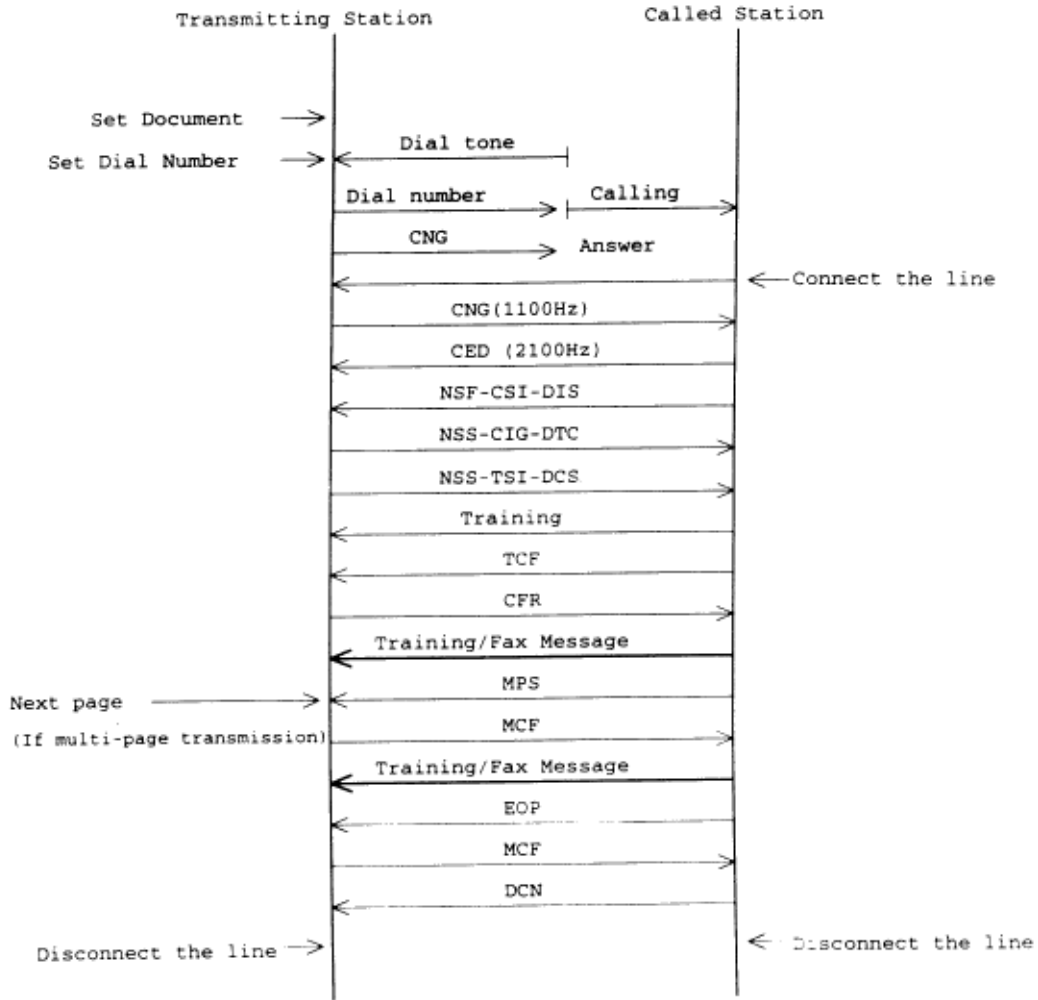
Chapter 2 Machine Operations

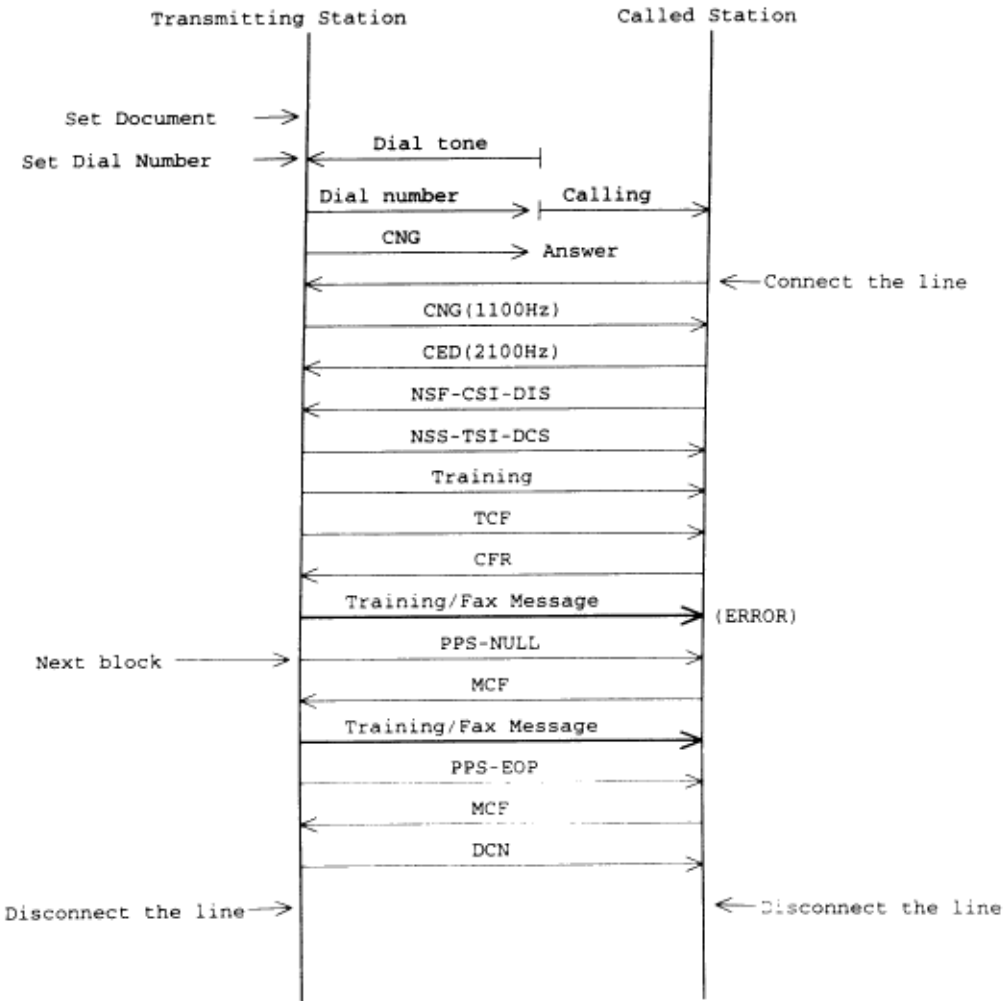




Service Manual for OF5800

Chapter 2 Machine Operations





The OKIFAX 5800 features maintenance modes for machine adjustment. Each mode is listed below along with the command used to activate the mode and a brief functional description.

Set or Clear Machine Parameters Used to set or clear machine parameters.	PROGRAM, *, 0
Set or Clear Memory Switches Used to set or clear memory switches.	PROGRAM, *, 1
Clear Programmed Data / User Settings Erases user-programmed information (date, time, TTI, autodialer, etc.) and any documents stored in memory.	PROGRAM, *, 2
All RAM Clear Erases same information as "Clear Programmed Data / User Settings" function along with resetting all of the machine parameters, memory switches and unique switches to factory defaults.	PROGRAM, *, 3
Set or Clear Unique Switches Used to set or clear Unique switches.	PROGRAM, *, 4
Print T.30 Monitor Prints a procedural summary of the last fax communication.	PROGRAM, *, 5
Print Program Mode List Prints a list of the unit's programming modes.	PROGRAM, *, 8
Test Modes Allows the technician to perform a series of diagnostic tests.	PROGRAM, *, 9
Print Machine Parameter, Memory Switch, and Unique Switch List Prints a list of the machine switch settings showing the default settings and current settings.	PROGRAM, *, A
Factory Function Allows the technician to perform a series of diagnostic tests.	PROGRAM, *, B
Telephone Circuit Test Modes Allows the technician to perform a series of diagnostic tests.	PROGRAM, *, C



Service Manual for OF5800

Chapter 3 Adjustment Procedures

3.2.1 Setting the Machine Parameters

3.2.2 Clearing the Machine Parameters

Copyright 1997, Okidata, Division of OKI America, Inc. All rights reserved. See the OKIDATA Business Partner Exchange (BPX) for any updates to this material. (<http://bpx.okidata.com>)



Service Manual for OF5800

Chapter 3 Adjustment Procedures

These switches are used to program internal machine parameters. The primary back up battery maintains these settings if power is lost.

1. From standby, press **PROGRAM**, *,**0**.

```
Set Parameters
Program/Enter
```

2. Press **ENTER**.

```
A0: 00000000
Program/Enter
```

3. Select the desired parameter by pressing a one-touch key plus a number on the keypad. For example, to access parameter B:1, press "B" plus the number "1" on the numeric keypad.

```
B1: 11111111
Program/Enter
```

4. Press **ENTER**.

```
Set parameter
B1: 11111111
Bit No. 76543210
```

(The bits are numbered 7 through 0. Bit 7 is left most bit.)

5. To navigate through the Parameter settings:

- Press "<" key to move the cursor to the left.
- Press ">" key to move the cursor to the right.
- Press the **0** or **1** on the numeric keypad to change the bit value.
- Press **ENTER** to save the setting of the displayed Parameter and advance to the next Parameter.

(Continue pressing **ENTER** until the desired Parameter is shown in the display. Be sure to press **ENTER** after each Parameter is programmed to save the new setting.)

- Press **STOP** to return the unit to standby.



Service Manual for OF5800

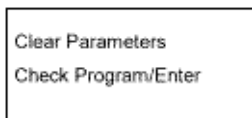
Chapter 3 Adjustment Procedures

Resets the machine parameters to factory defaults.

1. From standby, press **PROGRAM**, *, **0 PROGRAM**.



2. Press **ENTER**.



3. Press **ENTER**. The machine parameters will reset to factory defaults.

Note: To finish the operation without clearing the parameters, press **STOP**.



Service Manual for OF5800

Chapter 3 Adjustment Procedures

Factory Setting Only

Copyright 1997, Okidata, Division of OKI America, Inc. All rights reserved. See the OKIDATA Business Partner Exchange (BPX) for any updates to this material. (<http://bpx.okidata.com>)



Service Manual for OF5800

Chapter 3 Adjustment Procedures

Bit	Initial Setting	Adjustment	Usage / Comments			
7	0	Non-loaded cable compensation (TX)	0:	0:	1:	1:
6	1		0 db	4 db	8 db	12 db
5	0	Non-loaded cable compensation (RX)	0:	0:	1:	1:
4	1		0 db	4 db	8 db	12 db
3	0	Factory use only	0:	1:	0:	1:
2	0					
1	0					
0	0					

Copyright 1997, Okidata, Division of OKI America, Inc. All rights reserved. See the OKIDATA Business Partner Exchange (BPX) for any updates to this material. (<http://bpx.okidata.com>)



Service Manual for OF5800

Chapter 3 Adjustment Procedures

Bit	Initial Setting	Adjustment	Usage/Comments
7	1	Factory use only	
6	0	Factory use only	
5	1	Factory use only	
4	0	Factory use only	
3	1	DTMF output level attenuation	See table below
2	0		
1	0		
0	0		

Machine Parameter A:2 ... DTMF output level attenuation -- (Factory default is -8 dB).

Attenuation	Bit 3	Bit 2	Bit 1	Bit 0
0 dB	0	0	0	0
1 dB	0	0	0	1
2 dB	0	0	1	0
3 dB	0	0	1	1
4 dB	0	1	0	0
5 dB	0	1	0	1
6 dB	0	1	1	0
7 dB	0	1	1	1
8 dB	1	0	0	0
9 dB	1	0	0	1
10 dB	1	0	1	0
11 dB	1	0	1	1
12 dB	1	1	0	0
13 dB	1	1	0	1
14 dB	1	1	1	0
15 dB	1	1	1	1



Service Manual for OF5800

Chapter 3 Adjustment Procedures

Bit	Initial Setting	Adjustment	Usage/Comments
7	0	Leading edge document margin adjustment for the copy mode	76543210 Settings 00000000 0.00 mm 00000001 0.65 mm
6	0	Adjusts the leading edge margin from standby position to the start of the scanning position.	00011111 40.91 mm 00100000 41.56 mm
5	1	Each setting changes by 0.65 mm	00100001 42.21 mm - default setting 00100010 42.86 mm 00100011 43.51 mm 00100100 44.16 mm
4	1	Note: These values are factory set and should not be adjusted unless instructed by an OKIDATA technical representative.	00100101 44.81 mm 00100110 45.45 mm 00100111 46.10 mm
3	1		00101000 46.75 mm 00101001 47.40 mm 00101010 48.05 mm
2	1		11111111 168.58mm
1	1		
0	0		



Service Manual for OF5800

Chapter 3 Adjustment Procedures

Bit	Initial Setting	Adjustment	Usage/Comments
7	0	Leading edge document margin adjustment for the copy mode	76543210 Settings 00000000 0.00 mm 00000001 0.65 mm
6	0	Adjusts the leading edge margin from standby position to the start of the scanning position.	00011111 40.91 mm 00100000 41.56 mm
5	1	Each setting changes by 0.65 mm	00100001 42.21 mm - default setting 00100010 42.86 mm 00100011 43.51 mm 00100100 44.16 mm
4	1	Note: These values are factory set and should not be adjusted unless instructed by an OKIDATA technical representative.	00100101 44.81 mm 00100110 45.45 mm 00100111 46.10 mm
3	1		00101000 46.75 mm 00101001 47.40 mm 00101010 48.05 mm
2	1		11111111 168.58mm
1	1		
0	0		



Service Manual for OF5800

Chapter 3 Adjustment Procedures

Factory use only

Copyright 1997, Okidata, Division of OKI America, Inc. All rights reserved. See the OKIDATA Business Partner Exchange (BPX) for any updates to this material. (<http://bpx.okidata.com>)



Service Manual for OF5800

Chapter 3 Adjustment Procedures

Bit	Initial Setting	Adjustment	Usage/Comments
7	0	Initial encoding method	Encoding method for documents stored in memory. Setting becomes effective after switching the power supply OFF/ON. Bit 7 6 5 4 3 2 1 0 0 0 0 0 0 0 0 1 MH 0 0 0 0 0 0 1 0 MR 0 0 0 0 0 0 1 1 MMR 0 0 0 0 0 1 0 0 OKIDATA proprietary MSE
6	0		
5	0		
4	0		
3	0		
2	0		
1	1		
0	1		

Machine Parameter B:0 ~ B:3 - Factory use only

Copyright 1997, Okidata, Division of OKI America, Inc. All rights reserved. See the OKIDATA Business Partner Exchange (BPX) for any updates to this material. (<http://bpx.okidata.com>)



Service Manual for OF5800

Chapter 3 Adjustment Procedures

Bit	Initial Setting	Adjustment	Usage/Comments
7	0	Leading edge document margin adjustment. (Transmission)	76543210 Settings
		Adjusts the leading edge margin from standby position to the start of the scanning position.	00000000 0.000 mm 00000001 00.65 mm
6	1		
5	0	Each setting changes by 0.65mm	00011111 20.13 mm 00100000 20.78 mm 00100001 21.43 mm 00100010 22.08 mm 00100011 22.73 mm 00100100 23.38 mm 00100101 24.03 mm 00100110 24.68 mm 00100111 25.32 mm 00101000 25.97 mm 00101001 26.62 mm 00101010 27.27 mm 00101011 27.92 mm 00101100 28.57 mm 00101101 29.22 mm 00101110 29.87 mm 00101111 30.52 mm 00110000 31.17 mm 00110001 31.82 mm
4	0	Note: These values are factory set and should not be adjusted unless instructed by an OKIDATA technical representative.	
3	0		
2	0		
1	0		
0	0		11111111 165.58 mm



Service Manual for OF5800
Chapter 3 Adjustment Procedures

Factory use only.

Copyright 1997, Okidata, Division of OKI America, Inc. All rights reserved. See the OKIDATA Business Partner Exchange (BPX) for any updates to this material. (<http://bpx.okidata.com>)



Service Manual for OF5800

Chapter 3 Adjustment Procedures

Bit	Initial Setting	Adjustment	Usage/Comments
7	0	Slice level adjustment in Normal resolution. Scanner Threshold	7 6 5 4 3 2 1 0
6	0		0 0 0 0 0 0 0 0 Lightest setting
5	0		
4	0		↑ ↓
3	0		
2	0		1 1 1 1 1 1 1 1 Darkest setting
1	0		
0	0		

Copyright 1997, Okidata, Division of OKI America, Inc. All rights reserved. See the OKIDATA Business Partner Exchange (BPX) for any updates to this material. (<http://bpx.okidata.com>)



Service Manual for OF5800

Chapter 3 Adjustment Procedures

Bit	Initial Setting	Adjustment	Usage/Comments
7	0	Slice level adjustment in Fine resolution.	7 6 5 4 3 2 1 0
6	0		
5	0		0 0 0 0 0 0 0 0 Lightest setting
4	0		
3	0		
2	0		
1	0		
0	0		1 1 1 1 1 1 1 1 Darkest setting

Copyright 1997, Okidata, Division of OKI America, Inc. All rights reserved. See the OKIDATA Business Partner Exchange (BPX) for any updates to this material. (<http://bpx.okidata.com>)



Service Manual for OF5800

Chapter 3 Adjustment Procedures

Bit	Initial Setting	Adjustment	Usage/Comments
7	0	Slice level adjustment in SFine/HFine resolution.	7 6 5 4 3 2 1 0
6	0		0 0 0 0 0 0 0 0 Lightest setting
5	0		
4	0		↑ ↓
3	0		
2	0		1 1 1 1 1 1 1 1 Darkest setting
1	0		
0	0		

Copyright 1997, Okidata, Division of OKI America, Inc. All rights reserved. See the OKIDATA Business Partner Exchange (BPX) for any updates to this material. (<http://bpx.okidata.com>)



Service Manual for OF5800
Chapter 3 Adjustment Procedures

Factory use only

Copyright 1997, Okidata, Division of OKI America, Inc. All rights reserved. See the OKIDATA Business Partner Exchange (BPX) for any updates to this material. (<http://bpx.okidata.com>)



3.3.1 Setting the Memory Switches

3.3.2 Clearing the Memory Switches

Copyright 1997, Okidata, Division of OKI America, Inc. All rights reserved. See the OKIDATA Business Partner Exchange (BPX) for any updates to this material. (<http://bpx.okidata.com>)

These switches are used to program internal machine parameters. The primary back up battery maintains these settings if power is lost.

1. From standby, press **PROGRAM**, *, **1**.

Set Memory Switch
Program/Enter

2. Press **ENTER**.

A0: 00000110
Program/Enter

3. Select the desired parameter by pressing a one-touch key plus a number on the keypad. For example, to access memory switch B:1, press "B" plus the number "1" on the numeric keypad.

B1: 00000000
Program/Enter

4. Press **ENTER**.

Set Memory Switch
B1: 00000000
Bit No. 76543210

(The bits are numbered 7 through 0. Bit 7 is left most bit.)

5. To navigate through the Parameter settings:

- Press "<" key to move the cursor to the left.
- Press ">" key to move the cursor to the right.
- Press the **0** or **1** on the numeric keypad to change the bit value.
- Press **ENTER** to save the setting of the displayed Parameter and advance to the next Parameter. (Continue pressing **ENTER** until the desired Parameter is shown in the display. Be sure to press **ENTER** after each Parameter is programmed to save the new setting.)
- Press **Stop** to return the unit to standby.

Partner Exchange (BPX) for any updates to this material. (<http://bpx.okidata.com>)



Service Manual for OF5800

Chapter 3 Adjustment Procedures

Resets the memory switches to factory defaults.

1. From standby, press **PROGRAM**, *, **1**, **PROGRAM**.

Clear Memory Switch Program/Enter

2. Press **ENTER**.

Clear Memory Switch Check Program/Enter
--

3. Press **ENTER**. The memory switches will reset to factory defaults.

Note: To finish the operation without clearing the memory switches, press **STOP** or **PROGRAM**.

The following table provides a quick reference to the memory switches.

Group A Dialer

A:0	A:1	A:2 through A:4	A:5
CED detection Dial tone detection Phone line type	PBX mode dial pause	Factory use only	Ring signal detect time Number of rings Dual ring detection Long ring detection Ring frequency detection
A:6 through A:9			
Factory use only			

Group B: Transmission

B:0	B:1	B:2	B:3
Busy tone detection Fallback pattern Overseas mode V.29 echo protect tone Maximum transmit speed	The time between CFR and transmission of data. Interval between DCS and TCF. Output attenuation when individual autodialer attributes set.	Data signaling rate V17/V33(DCS) Set remote machine receiving direct. European date format on TTI. TTI transmit ECM response time ECM error retransmit. Interval between DCS and TCF.	
B:4	B:5	B:6 through B:9	
Factory use only	Program individual autodialer attributes. Relay broadcast Proprietary handshake. Sending RTC signal when transmission is canceled. Cancel redial if transmission error occurs. Action after EOR signal.	Factory use only	

Group C: Reception

C:0	C:1	C:2 through C:9	
Data error rate pause one second after sending CED. Receive speed	T1 timer DIS/DTC expand frame transmit. G3 echo receive.	Factory use only	

Group D: Reception

D:0	D:1	D:2	D:3
Number of HDLC end flags. Carrier detection level.	EYE-Q check level at 7200 bps. EYE-Q check level at 9600 bps. EYE-Q check level at 12000 bps. EYE-Q check level at 14400 bps.	EYE-Q slice level. Check EYE-Q. EYE-Q check level at 2400 bps. EYE-Q check level at 4800 bps.	Factory Use Only
D:4	D:5 through D:9		
Silent Detection Sensitivity	Factory use only		

Group E: Scanner

E:0	E:1 through E:9		
Background level. Effective scan width. Document TX length limit.	Factory use only.		

Group F: Printer

F:0 through F:9
Printer Settings

Group G: Remote Reception and Tad interface

G:0	G:1	G:2	G:3
CML relay off timer after dialing. DTMF tones heard through handset. Switch to fax upon TAD disconnect. Remote reception from fax handset.	Off-hook/on-hook detect time (remote reception). Off-hook/on-hook detect time.	CNG detection. Switch-hook time.	Silent detection time.
G:4	G:5 through G:9		
CNG detect period after TAD begins playing OGM. CNG detect period after TAD answers.	Factory use only		

Group H: Operation

H:0	H:1	H:2	H:3
------------	------------	------------	------------

Display error line. Total line monitor. Secure Mail notification Sort autodialer printout. Print check message if power is lost. Print page if error occurs during memory transmission. Print check message.	T.30 monitor auto print if error will occur. T.30 monitor auto print. display modem speed.	Print transaction duration. Erase polled document. Print TCR after batch transmission.	Factory use only.
---	---	--	-------------------

Memory Switch A:0 - dialer

Copyright 1997, Okidata, Division of OKI America, Inc. All rights reserved. See the OKIDATA Business Partner Exchange (BPX) for any updates to this material. (<http://bpx.okidata.com>)



Service Manual for OF5800
Chapter 3 Adjustment Procedures

Factory use only.

Copyright 1997, Okidata, Division of OKI America, Inc. All rights reserved. See the OKIDATA Business Partner Exchange (BPX) for any updates to this material. (<http://bpx.okidata.com>)



Service Manual for OF5800

Chapter 3 Adjustment Procedures

Bit	Initial Setting	Adjustment	Usage / Comments
7	0	Factory use only	
6	1	Ring signal detect time	Sets the time an incoming ring will not be detected after hanging up in the Fax/Tel Ready mode. 6 5 4 1 1 0 800 ms. 1 1 0 700 ms. 1 0 1 600 ms. 1 0 0 500 ms. 0 1 1 400 ms. 0 1 0 300 ms. 0 0 1 200 ms. 0 0 0 100 ms.
5	1		
4	0		
3	0		
2	0	Dual ring detection: 0:No 1:Yes	When enabled, the unit is able to auto answer an incoming ring with an off time of 120 - 600ms.
1	0	Long ring detection: 0:No 1:Yes	Allows the unit to respond to an incoming ring if the ring on-time is longer than two seconds.
0	1	Ring frequency detection 0:No 1:Yes	When disabled, the unit will not check the ring frequency of incoming rings.



Service Manual for OF5800

Chapter 3 Adjustment Procedures

Bit	Initial Setting	Adjustment	Usage/Comments
7	1	Busy tone detection 0:No 1:Yes	Set this switch to "0" if the ring tone of remote unit is mistaken for a busy signal.
6	0	Failback pattern (bps) 2400 4800 7200 9600 12000 14400 set at 0: 2 times 2 times 2 times 2 times 2 times 2 times set at 1: 4 times 1 time 1 time 1 time 1 time 1 time	
5	0	Overseas mode 0:No 1:Yes	Re-enables echo suppression that is disabled by the CED signal (2100 Hz). Also ignores the first DIS signal and transmits the DCS signal in response to the second DIS signal.
4	0	V.29 Echo Protect tone 0:No 1:Yes	International telephone lines equipped with echo suppression will cut the beginning portion of the transmitted information which may cause the receiver not to receive the training and data. To protect the received image from degrading, a 0.5 second Echo Protect tone is placed prior to the training using G3 high-speed training(V29).
3	0	Maximum Transmit speed kbps (optional) 2.4 4.8 7.2 9.6 12 14.4 (16.8 19.2 21.6 24 26.4 28.8 31.2 33.6)	
2	1	0 0 0 0 0 0 0 0 0 1 1 1 1 1 1	
1	0	0 0 0 0 1 1 1 1 0 0 0 0 0 1 1	
0	1	0 0 1 1 0 0 1 1 0 0 1 1 0 0	
		0 1 0 1 0 1 0 1 0 1 0 1 0 1	

Copyright 1997, Okidata, Division of OKI America, Inc. All rights reserved. See the OKIDATA Business Partner Exchange (BPX) for any updates to this material. (<http://bpx.okidata.com>)



Service Manual for OF5800

Chapter 3 Adjustment Procedures

Bit	Initial Setting	Adjustment	Usage/Comments
7	0	The time between reception of CFR and transmission of data. When CFR and data overlap due to line echo, increase the interval between CFR and data transmission using this switch. 250 ms 500 ms 750 ms 1000 ms Bit 7 0 0 1 1 Bit 6 0 1 0 1	
6	1		
5	0	Interval between DCS and TCF. When FTT is received after DCS and TCF signals due to line echo, increase the interval between DCS and TCF signals using this parameter. 75 ms 300 ms 450 ms 600 ms Bit 5 0 0 1 1 Bit 4 0 1 0 1	
4	0		
3	1	Output attenuation	See table on next page
2	0		
1	0		
0	1		

Copyright 1997, Okidata, Division of OKI America, Inc. All rights reserved. See the OKIDATA Business Partner Exchange (BPX) for any updates to this material. (<http://bpx.okidata.com>)



Service Manual for OF5800

Chapter 3 Adjustment Procedures

Bit	-15 dB	-14 dB	-13 dB	-12 dB	-11 dB	-10 dB	-9 dB	-8 dB	-7 dB	-6 dB	-5 dB	-4 dB	-3 dB	-2 dB	-1 dB	-0 dB
3	1	1	1	1	1	1	1	1	0	0	0	0	0	0	0	0
2	1	1	1	1	0	0	0	0	1	1	1	1	0	0	0	0
1	1	1	0	0	1	1	0	0	1	1	0	0	1	1	0	0
0	1	0	1	0	1	0	1	0	1	0	1	0	1	0	1	0

Copyright 1997, Okidata, Division of OKI America, Inc. All rights reserved. See the OKIDATA Business Partner Exchange (BPX) for any updates to this material. (<http://bpx.okidata.com>)



Service Manual for OF5800

Chapter 3 Adjustment Procedures

Bit	Initial Setting	Adjustment	Usage/Comments															
7	0	Data signaling rate V.17 / V.33 (DCS) 0: No 1: Yes	Determines communication protocol															
6	0	Forced received print when txing from memory 0: No 1: Yes	Will force a remote OKIDATA machine with memory receive capabilities to print directly. This switch will prevent a memory overflow error at the remote unit.															
5	0	European date format on TTI 0: No 1: Yes	Assigns European date format to the transmitted TTI. (Example: 29 May 1996)															
4	1	TTI transmit 0: No 1: Yes	When set at "0", transmission of the TTI is disabled. (Note: Turning TTI transmission off will violate local or federal regulations.)															
3	0	ECM response time 0: 3 sec 1: 4.8 sec	The time limit to receive the response signal for the ECM post message.															
2	0	ECM error retransmit time 0: 200 ms 1: 400 ms	The time limit before the ECM error is retransmitted.															
1	0	Interval between DCS and TCF.																
0	0	<table style="margin-left: auto; margin-right: auto;"> <tr> <td></td> <td>0 ms</td> <td>500 ms</td> <td>1000 ms</td> <td>1500 ms</td> </tr> <tr> <td>Bit 1</td> <td>0</td> <td>0</td> <td>1</td> <td>1</td> </tr> <tr> <td>Bit 0</td> <td>0</td> <td>1</td> <td>0</td> <td>1</td> </tr> </table>			0 ms	500 ms	1000 ms	1500 ms	Bit 1	0	0	1	1	Bit 0	0	1	0	1
	0 ms	500 ms	1000 ms	1500 ms														
Bit 1	0	0	1	1														
Bit 0	0	1	0	1														

Copyright 1997, Okidata, Division of OKI America, Inc. All rights reserved. See the OKIDATA Business Partner Exchange (BPX) for any updates to this material. (<http://bpx.okidata.com>)



Service Manual for OF5800

Chapter 3 Adjustment Procedures

Factory use only

Copyright 1997, Okidata, Division of OKI America, Inc. All rights reserved. See the OKIDATA Business Partner Exchange (BPX) for any updates to this material. (<http://bpx.okidata.com>)



Service Manual for OF5800

Chapter 3 Adjustment Procedures

Bit	Initial Setting	Adjustment	Usage / Comments
7	0	Program individual autodialer attributes. 0: No 1: Yes	Allows individual setting of memory switches B:0 as attribute 1, B:1 as attribute 2 and B:2 as attribute 3 and B:3 as attribute 4 when one-touch and speed dial locations are programmed.
6	0	Relay broadcast 0: No 1: Yes	
5	0	Proprietary handshake 0: No 1: Yes	Enable the OKIFAX 5800 proprietary handshaking protocol.
4	0	Factory use only	
3	0	Factory use only	
2	0	Sending RTC signal when transmission is canceled 0: Yes 1: No	
1	1	Cancel redial if T.4.1 or T.4.4 error occurs. 0: Yes 1: No	RTC signal is sent at the end of the transmission. when set at "0", the unit will send the RTC if the tx is canceled. No error will occur. When set at "1", an error will occur because RTC will not be sent at the end of a canceled transmission.
1	1	Cancel redial if T.4.1 or T.4.4 error occurs. 0: Yes 1: No	When set at "0" if a T.4.1 or a T.4.4 error occurs, the unit will not retry the transmission



Service Manual for OF5800

Chapter 3 Adjustment Procedures

Factory use only

Copyright 1997, Okidata, Division of OKI America, Inc. All rights reserved. See the OKIDATA Business Partner Exchange (BPX) for any updates to this material. (<http://bpx.okidata.com>)



Service Manual for OF5800

Chapter 3 Adjustment Procedures

Bit	Initial Setting	Adjustment	Usage/Comments
7	0	Data error rate 0: 5% 1: 10%	Determines the allowable number of erred lines out of the total lines received in a document
6	0	Pause one second after sending CED 0: 75 ms 1: 1000 ms	A 2100 Hz CED signal disables echo suppression in some telephone equipment. When set to "1", the unit pauses one second after sending CED, which allows echo suppression to restart. This may help with problematic overseas reception.
5	0	Factory use only	
4	0	Factory use only	
3	0	Receive speed kbps (optional) Maximum receive speed may be slowed to compensate for poor phone lines.	
2	1	2.4 4.8 7.2 9.6 12 14.4 (16.8 19.2 21.6 24 26.4 28.8 31.2 33.6)	
1	0	0 0 0 0 0 0 0 0 1 1 1 1 1 1 1 0 0 0 0 1 1 1 1 0 0 0 0 1 1	
0	1	0 0 1 1 0 0 1 1 0 0 1 1 0 0 0 1 0 1 0 1 0 1 0 1 0 1 0 1	

Copyright 1997, Okidata, Division of OKI America, Inc. All rights reserved. See the OKIDATA Business Partner Exchange (BPX) for any updates to this material. (<http://bpx.okidata.com>)



Service Manual for OF5800

Chapter 3 Adjustment Procedures

Bit	Initial Setting	Adjustment	Usage/Comments															
7	0	Factory use only																
6	0	Factory use only																
5	0	Factory use only																
4	0	T1 timer 0: 35 sec: 1: 60 sec	35 seconds is the factory default															
3	1	Factory use only																
2	0	DIS/DTC expanded frame 0: Yes 1: No	When set to a 1, the unit will not send the extended DIS frame for ITU Superfine mode.															
1	0	G3 echo receive Adjusts the delay between detection of training/TCF and sending of CFR.																
0	1	<table border="0"> <tr> <td></td> <td>100 ms</td> <td>500 ms</td> <td>800 ms</td> <td>1200 ms</td> </tr> <tr> <td>Bit 1</td> <td>0</td> <td>0</td> <td>1</td> <td>1</td> </tr> <tr> <td>Bit 0</td> <td>0</td> <td>1</td> <td>0</td> <td>1</td> </tr> </table>		100 ms	500 ms	800 ms	1200 ms	Bit 1	0	0	1	1	Bit 0	0	1	0	1	
	100 ms	500 ms	800 ms	1200 ms														
Bit 1	0	0	1	1														
Bit 0	0	1	0	1														

Copyright 1997, Okidata, Division of OKI America, Inc. All rights reserved. See the OKIDATA Business Partner Exchange (BPX) for any updates to this material. (<http://bpx.okidata.com>)



Service Manual for OF5800

Chapter 3 Adjustment Procedures

Factory use only

Copyright 1997, Okidata, Division of OKI America, Inc. All rights reserved. See the OKIDATA Business Partner Exchange (BPX) for any updates to this material. (<http://bpx.okidata.com>)

Bit	Initial Setting	Adjustment	Usage / Comments
7	0	Number of HDLC end flags.	Defines the number of HDLC end flags.
6	0		
5	1		
4	0		
3	0	Factory use only	
2	1	Group Delay Equalizer 0:No 1:Yes	
1	0	Digital Cable Equalizer 0:Free 1:Hold	
0	1	Carrier detection level 0: -43/48 dB 1: -47/52 dB	Setting the switch to "1" increases the receive sensitivity.



Service Manual for OF5800

Chapter 3 Adjustment Procedures

Bit	Initial Setting	Adjustment	Usage/Comments
7	1	EYE-Q check level at 7200 bps	0 0 1 1
6	0		Strict-----Lenient 0 1 0 1
5	1	EYE-Q check level at 9600 bps	0 0 1 1
4	0		Strict-----Lenient 0 1 0 1
3	1	EYE-Q check level at 12000 bps	0 0 1 1
2	0		Strict-----Lenient 0 1 0 1
1	1	EYE-Q check level at 14400 bps	0 0 1 1
0	0		Strict-----Lenient 0 1 0 1

Copyright 1997, Okidata, Division of OKI America, Inc. All rights reserved. See the OKIDATA Business Partner Exchange (BPX) for any updates to this material. (<http://bpx.okidata.com>)



Service Manual for OF5800

Chapter 3 Adjustment Procedures

Bit	Initial Setting	Adjustment	Usage / Comments
7	0	EYE-Q slice level 0: Disable 1: Enable	Setting this bit to "1" enables memory switch D:2, bits 0-3 and memory switch D:1, bits 0-7, and enables EYE-Q check Adjustment.
6	1	Check EYE-Q 0:No 1:Yes	0: Line condition status (EYE-Q) is not checked after checking TCF. 1: Line condition status (EYE-Q) is checked after checking TCF.
5	0	Factory use only.	
4	0	Factory use only.	
3	1	EYE-Q check level at 2400	0 0 1 1
2	0	bps	Strict-----Lenient 0 1 0 1
1	1	EYE-Q check level at 4800	0 0 1 1
0	0	bps	Strict-----Lenient 0 1 0 1

Copyright 1997, Okidata, Division of OKI America, Inc. All rights reserved. See the OKIDATA Business Partner Exchange (BPX) for any updates to this material. (<http://bpx.okidata.com>)



Service Manual for OF5800

Chapter 3 Adjustment Procedures

Bit	Initial Setting	Adjustment	Usage / Comments
7	0	Factory use only	
6	0	Factory use only	
5	0	Factory use only	
4	0	Factory use only	
3	0	Factory use only	
2	0	Factory use only	
1	0	Delete receive echo of CFR at the receiver side 0:No 1:Yes	
0	0	Expand FSK receive time after detecting flat 0: 3.3 seconds 1: 10 seconds	

Copyright 1997, Okidata, Division of OKI America, Inc. All rights reserved. See the OKIDATA Business Partner Exchange (BPX) for any updates to this material. (<http://bpx.okidata.com>)



Service Manual for OF5800
Chapter 3 Adjustment Procedures

Factory use only

Copyright 1997, Okidata, Division of OKI America, Inc. All rights reserved. See the OKIDATA Business Partner Exchange (BPX) for any updates to this material. (<http://bpx.okidata.com>)



Service Manual for OF5800

Chapter 3 Adjustment Procedures

Bit	Initial Setting	Adjustment	Usage / Comments
7	0	Factory use only	
6	0	Factory use only	
5	0	Factory use only	
4	0	Factory use only	
3	0	Factory use only	
2	1	Background level 0: Automatic 1: Fixed	The background level measures the reflective ability of scanned documents. Performed with each transmission or copy function.
1	0	Effective scan width 0: Q4 = 208 mm (8.2") Default 1: A4 = 216 mm (8.5") Full width (edge to edge) (The unit must be turned off, then on, for this change to take effect).	
0	1	Document TX length limit 0: Unlimited 1: 1 meter	Setting to unlimited will override document jam sensing.



Service Manual for OF5800

Chapter 3 Adjustment Procedures

Factory use only

Copyright 1997, Okidata, Division of OKI America, Inc. All rights reserved. See the OKIDATA Business Partner Exchange (BPX) for any updates to this material. (<http://bpx.okidata.com>)



Service Manual for OF5800

Chapter 3 Adjustment Procedures

Bit	Initial Setting	Adjustment	Usage / Comments
7	0	Factory use only	
6	1	CML relay off time after dialing. 0: 1 sec. 1: 200 ms.	When dialing from the keypad, phone line noise may occur as the CML relay switches on and off. Set this witch to '0" to avoid this.
5	0	DTMF tones heard through handset. 0: No 1: Yes	Determines if DTMF tones are produced through the handset in off-hook dialing.
4	0	Factory use only	
3	0	Factory use only	

Copyright 1997, Okidata, Division of OKI America, Inc. All rights reserved. See the OKIDATA Business Partner Exchange (BPX) for any updates to this material. (<http://bpx.okidata.com>)



Service Manual for OF5800

Chapter 3 Adjustment Procedures

Bit	Initial Setting	Adjustment	Usage/Comments
7	0	Off-hook / on-hook detect time(remote reception)	Sets the time interval between the off-hook/on-hook condition for remote reception. Bit 7 6 5 4 time 1 1 1 1 150 ms. 1 1 1 0 140 ms. 0 0 1 1 30 ms. 0 0 1 0 20 ms. 0 0 0 1 10 ms. 0 0 0 0 0 ms.
6	0		
5	1		
4	1		
3	0	Off-hook / on-hook detect time	Sets the time interval between the on-hook and off-hook(or off-hook / on-hook) condition. Bit 3 2 1 0 time 1 1 1 1 1500 ms. 1 1 1 0 1400 ms. 0 0 1 1 300 ms. 0 0 1 0 200 ms. 0 0 0 1 100 ms. 0 0 0 0 0 ms.
2	1		
1	0		
0	0		



Service Manual for OF5800

Chapter 3 Adjustment Procedures

Bit	Initial Setting	Adjustment	Usage/Comments
7	0	Factory use only	
6	0	Factory use only	
5	0	Factory use only	
4	1	CNG detection 0: No 1: Yes	Enables or disables CNG detection during Ans/Fax mode.
3	0	Switch-hook time	In Ans/Fax mode, if the switch hook is quickly depressed and released, switch-to-fax will occur. This setting adjusts how quickly the switch hook activation must be. Bit 3 2 1 0 time 1 1 1 1 1500 ms. 1 1 1 0 1400 ms. 1 1 0 1 1300 ms. 1 1 0 0 1200 ms. 1 0 1 1 1100 ms. 1 0 1 0 1000 ms. 1 0 0 1 900 ms. 1 0 0 0 800 ms. 0 1 1 1 700 ms. 0 1 1 0 600 ms. 0 1 0 1 500 ms. 0 1 0 0 400 ms. 0 0 1 1 300 ms. 0 0 1 0 200 ms. 0 0 0 1 100 ms. 0 0 0 0 0 ms.
2	0		
1	1		
0	1		

Copyright 1997, Okidata, Division of OKI America, Inc. All rights reserved. See the OKIDATA Business Partner Exchange (BPX) for any updates to this material. (<http://bpx.okidata.com>)



Service Manual for OF5800

Chapter 3 Adjustment Procedures

Factory use only

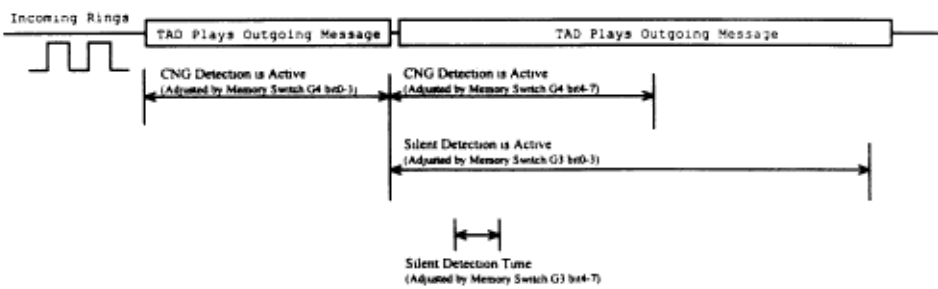
Copyright 1997, Okidata, Division of OKI America, Inc. All rights reserved. See the OKIDATA Business Partner Exchange (BPX) for any updates to this material. (<http://bpx.okidata.com>)



Service Manual for OF5800

Chapter 3 Adjustment Procedures

Bit	Initial Setting	Adjustment	Usage/Comments
7	0	CNG detect period after TAD begins playing OGM.	Sets the period during which CNG is detected after the TAD begins playing its outgoing message. Bit 7 6 5 4 time 1 1 1 1 150 sec 1 1 1 0 140 sec 1 1 0 0 120 sec 1 0 1 0 100 sec
6	0		
5	1		
4	1		
3	0	CNG detect period after TAD answers.	Sets the period during which CNG is detected after the TAD answers an incoming call. Bit 3 2 1 0 time 1 1 1 1 150 sec 1 1 0 1 130 sec 1 1 0 0 120 sec 1 0 1 1 110 sec
2	0		
1	0		
0	1		





Service Manual for OF5800

Chapter 3 Adjustment Procedures

Factory use only

Copyright 1997, Okidata, Division of OKI America, Inc. All rights reserved. See the OKIDATA Business Partner Exchange (BPX) for any updates to this material. (<http://bpx.okidata.com>)



Service Manual for OF5800

Chapter 3 Adjustment Procedures

Bit	Initial Setting	Adjustment	Usage / Comments
7	0	Display error line 0: No 1: Yes	The number of error lines contained in the receive data will be shown in the LCD.
6	0	Total line monitor 0: No 1: Yes	Allows fax communication to be heard through the monitor speaker.
5	0	Factory use only	
4	0	Sort autodialer printout 0: Sort by autodialer location 1: Sort by location ID	Specifies how entries on autodialer printouts are sorted.
3	1	Print check message if power is lost 0: No 1: Yes	In the event of two power losses in a 40 hour period, documents will be lost. When power is restored, a check message will print.
2	1	Print page if error occurs during memory transmission. 0: No 1: Yes	For easy identification, the first page of a document stored for memory transmission will print along a check message if an error occurs during memory transmission.
1	1	Print check message 0: No 1: Yes	To notify the user of an error, a check message can be printed if a communication error occurs.
0	0	Stop printing check message for a memory tx by pressing the stop key. 0: No 1: Yes	



Service Manual for OF5800

Chapter 3 Adjustment Procedures

Bit	Initial Setting	Adjustment	Usage / Comments
7	0	Factory use only	
6	0	Factory use only	
5	0	Factory use only	
4	0	Factory use only	
3	1	Factory use only	
2	1	T.30 monitor auto print if error occurs. 0: No 1: Yes	The T.30 monitor will only print after a communication error occurs.
1	1	T.30 monitor auto print. 0: No 1: Yes	Enabling this switch causes the unit to print a T.30 monitor report after each communication.
0	0	Display modem speed 0: No 1: Yes	The transmit/receive speed is displayed in the LCD.

Copyright 1997, Okidata, Division of OKI America, Inc. All rights reserved. See the OKIDATA Business Partner Exchange (BPX) for any updates to this material. (<http://bpx.okidata.com>)



Service Manual for OF5800

Chapter 3 Adjustment Procedures

Bit	Initial Setting	Adjustment	Usage / Comments
7	0	Factory use only	
6	0	Factory use only	
5	0	Factory use only	
4	0	Factory use only	
3	0	Factory use only	
2	0	Factory use only	
1	1	Erase polled document 0: No 1: Yes	Determine if a document stored for polling is erased after being polled.
0	1	Print TCR after the broadcast transmit 0: No 1: Yes	



Service Manual for OF5800

Chapter 3 Adjustment Procedures

Factory use only

Copyright 1997, Okidata, Division of OKI America, Inc. All rights reserved. See the OKIDATA Business Partner Exchange (BPX) for any updates to this material. (<http://bpx.okidata.com>)



Service Manual for OF5800

Chapter 3 Adjustment Procedures

User programmed information such as autodialer entries, date, time, Transmit Terminal Identifier (TTI), Subscriber ID, etc., are stored in the unit's Random Access Memory (RAM). The primary back up battery maintains these settings if power is lost.

This function does not clear the soft parameters. Therefore, this setting is useful to reset the user programmed information but leave specific parameters configured for a particular telephone system, etc. Note: If desired, the All RAM Clear setting can be used to erase all user programmed information, all documents in memory, and reset the memory switches to factory defaults. For information on the All RAM Clear setting, see the next section.

1. To clear programmed data and user settings, from standby, press **Program**, *, **2**.

Clear User Settings Check Program/Enter
--

2. Press **ENTER**.

Note: To finish the operation without performing initialization, press **STOP** or **PROGRAM**.

Copyright 1997, Okidata, Division of OKI America, Inc. All rights reserved. See the OKIDATA Business Partner Exchange (BPX) for any updates to this material. (<http://bpx.okidata.com>)



Service Manual for OF5800

Chapter 3 Adjustment Procedures

The All RAM Clear setting will erase all user programmed information, all documents in memory, and reset the memory switches to factory defaults. This feature may also be used to try and clear a machine malfunction or lock up. If possible, when the All RAM Clear is used to reset a malfunction or lock up, it is advisable to print the machine settings, one-touch and speed dial listings to help in reprogramming this information.

1. To perform an All RAM Clear, from standby, press **PROGRAM**, *, **3**.

All RAM Clear Check Program/Enter

2. Press **ENTER**.

Note: To finish the operation without performing RAM clear, press **STOP** or **PROGRAM**.

Note: This setting does not clear the Life Monitor

Copyright 1997, Okidata, Division of OKI America, Inc. All rights reserved. See the OKIDATA Business Partner Exchange (BPX) for any updates to this material. (<http://bpx.okidata.com>)



Service Manual for OF5800

Chapter 3 Adjustment Procedures

This function allows the user to configure an individual one-touch or speed dial entry with the settings shown in Memory Switches B:0, B:1, and B:2

To set the individual attributes:

1. Change memory switch B:5, bit 7 to a "1". (See setting 3.3.1 Setting the Memory Switches for more information on changing Memory switch B:5.)
2. When the function is enabled, an "Attribute" option is added to the autodialer programming steps. As a one-touch or speed dial location is programmed, an extra step showing Attribute 1, Attribute 2, and Attribute 3 are added as the last step.

A: Attribute 1 10001101

Bit No. 76543210

3. Set the individual bit positions as shown in the following tables. To change a setting, press the one-touch key "<" or ">" key until the cursor is below the desired bit position; then press "1" or "0" to make the change.

Attribute 1 - Individual Autodialer Setting (Equivalent to Memory Switch B:0)

Bit	Initial Setting	Adjustment	Usage/Comments
7	1	Busy tone detection 0:No 1:Yes	Set this switch to "0" if the ring tone of remote unit is mistaken for a busy signal.
6	0	Fallback pattern (bps) 2400 4800 7200 9600 12000 14400 0: 2 times 2 times 2 times 2 times 2 times 2 times 1: 4 times 1 time 1 time 1 time 1 time 1 time	
5	0	Overseas mode 0:No 1:Yes	Re-enables echo suppression that is disabled by the CED signal (2100 Hz). Also ignores the first DIS signal and transmits the DCS signal in response to the second DIS signal.
4	0	V.29 Echo Protect tone 0:No 1:Yes	International telephone lines equipped with echo suppression will cut the beginning portion of the transmitted information which may cause the receiver not to receive the training and data. To protect the received image from degrading, a 0.5 second Echo Protect tone is placed prior to the training using G3 high-speed training(V29).
3	0	Maximum Transmit speed kbps (optional) 2.4 4.8 7.2 9.6 12 14.4 (16.8 19.2 21.6 24 26.4 28.8 31.2 33.6)	
2	1	0 0 0 0 0 0 0 0 0 1 1 1 1 1 1	
1	0	0 0 1 1 0 0 1 1 0 0 1 1 0 0	
0	1	0 1 0 1 0 1 0 1 0 1 0 1 0 1	

Attribute 2 - Individual Autodialer Setting (Equivalent to Memory Switch B:1)

Bit	Initial Setting	Adjustment	Usage/Comments
7	0	The time between reception of CFR and transmission of data. When CFR and data overlap due to line echo, increase the interval between CFR and data transmission using this switch. 250 ms 500 ms 750 ms 1000 ms Bit 7 0 0 1 1 Bit 6 0 1 0 1	
6	0		
5	0	Interval between DCS and TCF. When FTT is received after DCS and TCF signals due to line echo, increase the interval between DCS and TCF signals using this parameter. 75 ms 300 ms 450 ms 600 ms Bit 5 0 0 1 1 Bit 4 0 1 0 1	
4	0		
3	0	Output attenuation when individual, autodialer attributes are set.	See table on next page
2	0		
1	0		
0	0		

Bit	-15 dB	-14 dB	-13 dB	-12 dB	-11 dB	-10 dB	-9 dB	-8 dB	-7 dB	-6 dB	-5 dB	-4 dB	-3 dB	-2 dB	-1 dB	-0 dB
3	1	1	1	1	1	1	1	1	0	0	0	0	0	0	0	0
2	1	1	1	1	0	0	0	0	1	1	1	1	0	0	0	0
1	1	1	0	0	1	1	0	0	1	1	0	0	1	1	0	0
0	1	0	1	0	1	0	1	0	1	0	1	0	1	0	1	0

Attribute 3 - Individual Autodialer Setting (Equivalent to Mem. Switch B:2)

Bit	Initial Setting	Adjustment	Usage/Comments
7	0	Data signalling rate V.17 / V.33 (DCS) 0: No 1: Yes	Determines communication protocol
6	0	Set remote machine receiving direct. 0: No 1: Yes	When set to a 1, a remote OKIDATA fax with memory receive capabilities(F-70/73/80/90/92/92) will receive directly to the printer, preventing memory overflow errors
5	0	European date format on TTI 0: No 1: Yes	Assigns European date format to the transmitted TTI. (Example: 29 May 1996)
4	1	TTI transmit 0: No 1: Yes	When set at "0", transmission of the TTI is disabled. (Note: Turning TTI transmission off may violate local or federal regulations.)
3	0	ECM response time 0: 3 sec 1: 4.8 sec	The time limit to receive the response signal for the ECM post message.
2	0	ECM error retransmit 0: 200 ms 1: 400 ms	The time limit before the ECM error is retransmitted.
1	0	Interval between DCS and TCF. 0 ms 500 ms 1000 ms 1500 ms Bit 1 0 0 1 1 Bit 0 0 1 0 1	
0	0		

Copyright 1997, Okidata, Division of OKI America, Inc. All rights reserved. See the OKIDATA Business Partner Exchange (BPX) for any updates to this material. (<http://bpx.okidata.com>)



Service Manual for OF5800

Chapter 3 Adjustment Procedures

3.8.1 Setting the Unique Switches

3.8.2 Clearing the Unique Switches

Copyright 1997, Okidata, Division of OKI America, Inc. All rights reserved. See the OKIDATA Business Partner Exchange (BPX) for any updates to this material. (<http://bpx.okidata.com>)



Service Manual for OF5800

Chapter 3 Adjustment Procedures

These switches are used to program internal machine parameters. The primary back up battery maintains these settings if power is lost.

1. From standby, press **PROGRAM**, *, **4**.

```

Set Uniq Switch
Program/Enter
  
```

2. Press **ENTER**.

```

A0: 00000001
Program/Enter
  
```

3. Select the desired unique switch by pressing a one-touch key plus a number on the keypad. For example, to access parameter B:1, press "B" plus the number "1" on the numeric keypad.

```

B1: 00000000
Program/Enter
  
```

4. Press **ENTER**.

```

Set Unique Switch
B1: 00000000
Bit No. 76543210
  
```

(The bits are numbered 7 through 0 -- bit 7 is left most bit.)

5. To navigate through the unique switch settings:

- Press "<" key to move the cursor to the left.
- Press ">" key to move the cursor to the right.
- Press the **0** or **1** on the numeric keypad to change the bit value.
- Press **ENTER** to save the setting of the displayed unique switch and advance to the next switch. (Continue pressing **ENTER** until the desired unique switch is shown in the display. Be sure to press **ENTER** after each unique switch is programmed to save the new setting.)
- Press **STOP** to return the unit to standby.

Copyright 1997, Okidata, Division of OKI America, Inc. All rights reserved. See the OKIDATA Business Partner Exchange (BPX) for any updates to this material. (<http://bpx.okidata.com>)

Resets the unique switches to factory defaults.

1. From standby, press **PROGRAM**, *, **4**, **PROGRAM**.

Clear Unique Switch Program/Enter

2. Press **ENTER**.

Clear Unique Switch Check Program/Enter
--

3. Press **ENTER**. The Parameters will reset to factory defaults.

Note: To finish the operation without clearing the unique switches , press **STOP** or **PROGRAM**



Service Manual for OF5800

Chapter 3 Adjustment Procedures

Bit	Initial Setting	Adjustment	Usage/Comments
7	0	Factory use only	
6	1	Congestion tone detection 0: No 1: Yes	Setting this switch to "0" ignores telephone line congestion tones.
5	0	Ring back tone wait time seconds 3.0 3.3 3.6 3.9	Sets the time until the ring back tone begins after answering an incoming call in the Fax/Tel mode.
4	0	0 0 1 1 0 1 0 1	
3	0	Factory use only	
2	0	Factory use only	
1	0	Factory use only	
0	1	Factory use only	

Copyright 1997, Okidata, Division of OKI America, Inc. All rights reserved. See the OKIDATA Business Partner Exchange (BPX) for any updates to this material. (<http://bpx.okidata.com>)



Service Manual for OF5800
Chapter 3 Adjustment Procedures

Factory use only

Copyright 1997, Okidata, Division of OKI America, Inc. All rights reserved. See the OKIDATA Business Partner Exchange (BPX) for any updates to this material. (<http://bpx.okidata.com>)



Service Manual for OF5800

Chapter 3 Adjustment Procedures

Bit	Initial Setting	Adjustment	Usage/Comments
7	0	Factory use only	
6	0	Factory use only	
5	0	Factory use only	
4	0	Factory use only	
3	0	Factory use only	
2	0	Factory use only	
1	1	The number of times PPR is detected during ECM transmission. 1 time 2 times 3 times 4 times	
0	1	0 0 1 1	
		0 1 0 1	

Copyright 1997, Okidata, Division of OKI America, Inc. All rights reserved. See the OKIDATA Business Partner Exchange (BPX) for any updates to this material. (<http://bpx.okidata.com>)



Service Manual for OF5800

Chapter 3 Adjustment Procedures

Factory use only

Copyright 1997, Okidata, Division of OKI America, Inc. All rights reserved. See the OKIDATA Business Partner Exchange (BPX) for any updates to this material. (<http://bpx.okidata.com>)



Service Manual for OF5800

Chapter 3 Adjustment Procedures

Bit	Initial Setting	Adjustment	Usage/Comments
7	1	Factory use only	
6	0	Factory use only	
5	1	MMR storage 0: No 1: Yes	Determines how documents are stored in memory for transmission.
4	1	Transmit CED signal when manual/remote receive. 0: No 1: Yes	
3	1	Pseudo-ring start time. 5 sec 6 sec 7 sec 8 sec	Sets the time the pseudo ring begins after answering an incoming call. (Fax/Tel Ready mode only.)
2	0	0 0 1 1 0 1 0 1	
1	1	Factory use only	
0	1	Avoid time out in ECM reception. 0: No 1: Yes	Disables 60 second RNR time out in ECM mode.

Copyright 1997, Okidata, Division of OKI America, Inc. All rights reserved. See the OKIDATA Business Partner Exchange (BPX) for any updates to this material. (<http://bpx.okidata.com>)



Service Manual for OF5800

Chapter 3 Adjustment Procedures

Bit	Initial Setting	Adjustment	Usage/Comments
7	0	T1 time Adjustment in Fax/Tel mode. When the unit switches to fax by TAD disconnect while in the Fax/Tel mode,	7 6 5 4 time 1 1 1 1 15 sec. 1 1 0 1 13 sec. 1 1 0 0 12 sec.
6	1	the unit will seize the telephone line and attempt to handshake.	1 0 1 1 11 sec. 1 0 1 0 10 sec. 1 0 0 1 9 sec.
5	1		0 1 1 0 6 sec. 0 1 0 1 5 sec.
4	0		0 0 0 0 0 sec.
3	1	TCF check time (in 100 ms units) If the TCF time is such that poor image quality is the result, lengthen the TCF check time.	3 2 1 0 time 1 1 1 1 1500 ms. 1 1 0 0 1200 ms.
2	0		1 0 1 1 1100 ms. 1 0 1 0 1000 ms. 1 0 0 0 800 ms.
1	1		0 1 1 1 700 ms. 0 1 0 1 500 ms. 0 1 0 0 400 ms.
0	0		0 0 1 0 200 ms. 0 0 0 1 100 ms.

Copyright 1997, Okidata, Division of OKI America, Inc. All rights reserved. See the OKIDATA Business Partner Exchange (BPX) for any updates to this material. (<http://bpx.okidata.com>)



Service Manual for OF5800

Chapter 3 Adjustment Procedures

Bit	Initial Setting	Adjustment	Usage / Comments
7	0	Factory use only	
6	0	Factory use only	
5	0	Factory use only	
4	0	Factory use only	
3	0	Factory use only	
2	0	Factory use only	
1	0	Factory use only	
0	0	Call request upon memory overflow while receiving two or more pages. 0: No 1: Yes	

Copyright 1997, Okidata, Division of OKI America, Inc. All rights reserved. See the OKIDATA Business Partner Exchange (BPX) for any updates to this material. (<http://bpx.okidata.com>)



Service Manual for OF5800

Chapter 3 Adjustment Procedures

Factory use only

Copyright 1997, Okidata, Division of OKI America, Inc. All rights reserved. See the OKIDATA Business Partner Exchange (BPX) for any updates to this material. (<http://bpx.okidata.com>)



Service Manual for OF5800

Chapter 3 Adjustment Procedures

Bit	Initial Setting	Adjustment	Usage / Comments
7	0	Factory use only	
6	0	Factory use only	
5	0	Factory use only	
4	0	Factory use only	
3	0	Factory use only	
2	0	Factory use only	
1	0	Factory use only	
0	1	Hyper Fine resolution 0: No 1: Yes	When set at "1" Super fine(SFine) resolution changes to Hyper fine(I-Fine) resolution.

Copyright 1997, Okidata, Division of OKI America, Inc. All rights reserved. See the OKIDATA Business Partner Exchange (BPX) for any updates to this material. (<http://bpx.okidata.com>)



Service Manual for OF5800

Chapter 3 Adjustment Procedures

Factory use only

Copyright 1997, Okidata, Division of OKI America, Inc. All rights reserved. See the OKIDATA Business Partner Exchange (BPX) for any updates to this material. (<http://bpx.okidata.com>)



Service Manual for OF5800

Chapter 3 Adjustment Procedures

Bit	Initial Setting	Adjustment	Usage / Comments
7	0	Factory use only	
6	1	Smoothing in 300x400 dpi mode 0: No 1: Yes	
5	1	Smoothing in SFine receive mode 0: No 1: Yes	
4	0	Smoothing in Fine receive mode 0: No 1: Yes	
3	1	Smoothing in Fine copy mode 0: No 1: Yes	
2	1	Smoothing in Normal receive resolution 0: No 1: Yes	
1	1	Smoothing in Normal, Fine and SFine resolutions in rx mode 0: No 1: Yes	
0	1	Smoothing in Normal, Fine and SFine resolutions in copy mode 0: No 1: Yes	



Service Manual for OF5800

Chapter 3 Adjustment Procedures

Bit	Initial Setting	Adjustment	Usage / Comments
7	0	Factory use only	
6	0	Factory use only	
5	0	Factory use only	
4	1	Print pages upon running out of toner 0: No 1: Yes	When the Low Toner alarm occurs, this switch determines if the unit will continue to print an additional 50 pages.
3	0	Factory use only	
2	0	Factory use only	
1	0	Factory use only	
0	0	Factory use only	

Copyright 1997, Okidata, Division of OKI America, Inc. All rights reserved. See the OKIDATA Business Partner Exchange (BPX) for any updates to this material. (<http://bpx.okidata.com>)



Service Manual for OF5800

Chapter 3 Adjustment Procedures

Bit	Initial Setting	Adjustment	Usage / Comments
7	0	Printer auto shut off time	Time until the power supply turns the fusing unit off after printing has completed
6	0		
5	0		
4	0		
3	1		
2	1		
1	0		
0	1		
			7 6 5 4 3 2 1 0 time 1 1 1 1 1 1 1 1 255 min. 1 1 1 1 1 1 1 0 254 min. 1 1 1 1 1 1 0 1 253 min. 1 1 1 1 1 1 0 0 252 min. 0 0 0 0 0 1 0 1 5 min - Factory default 0 0 0 0 0 1 0 0 4 min. 0 0 0 0 0 0 1 1 3 min. 0 0 0 0 0 0 1 0 2 min. 0 0 0 0 0 0 0 1 1 min. 0 0 0 0 0 0 0 0 0 min.

Copyright 1997, Okidata, Division of OKI America, Inc. All rights reserved. See the OKIDATA Business Partner Exchange (BPX) for any updates to this material. (<http://bpx.okidata.com>)



Service Manual for OF5800

Chapter 3 Adjustment Procedures

Bit	Initial Setting	Adjustment	Usage / Comments
7	0	Printing Density	7 8 5 4 3 2 1 0
6	0		0 0 0 0 0 0 0 0 Lightest Note: This is a 6
5	0		0 0 0 0 0 0 0 1 Light position
4	0		0 0 0 0 0 0 1 0 Not as light switch
3	0		0 0 0 0 0 0 1 1 Normal
2	0		0 0 0 0 0 1 0 0 Dark
1	1		0 0 0 0 0 1 0 1 Darkest
0	1		0 0 0 0 0 1 1 0 Normal

Copyright 1997, Okidata, Division of OKI America, Inc. All rights reserved. See the OKIDATA Business Partner Exchange (BPX) for any updates to this material. (<http://bpx.okidata.com>)



Service Manual for OF5800

Chapter 3 Adjustment Procedures

Bit	Initial Setting	Adjustment	Usage / Comments
7	0	Control current for image transfer	Bit 7 6 5 4 3 2 1 0 over 0 0 0 1 0 0 0 1 20 micro amps 0 0 0 1 0 0 0 0 19 micro amps 0 0 0 0 1 1 1 0 18 micro amps 0 0 0 0 1 1 0 1 17 micro amps
6	0		0 0 0 0 0 1 0 0 8 micro amps 0 0 0 0 0 0 1 1 7 micro amps 0 0 0 0 0 0 1 0 6 micro amps 0 0 0 0 0 0 0 1 5 micro amps 0 0 0 0 0 0 0 0 4 micro amps
5	0		
4	0		
3	0		
2	0		
1	0		
0	0		

Copyright 1997, Okidata, Division of OKI America, Inc. All rights reserved. See the OKIDATA Business Partner Exchange (BPX) for any updates to this material. (<http://bpx.okidata.com>)



Service Manual for OF5800

Chapter 3 Adjustment Procedures

See Section 4.16 for an explanation of these two switches

Copyright 1997, Okidata, Division of OKI America, Inc. All rights reserved. See the OKIDATA Business Partner Exchange (BPX) for any updates to this material. (<http://bpx.okidata.com>)



Service Manual for OF5800
Chapter 3 Adjustment Procedures

Factory use only

Copyright 1997, Okidata, Division of OKI America, Inc. All rights reserved. See the OKIDATA Business Partner Exchange (BPX) for any updates to this material. (<http://bpx.okidata.com>)



Service Manual for OF5800

Chapter 3 Adjustment Procedures

Factory use only

Copyright 1997, Okidata, Division of OKI America, Inc. All rights reserved. See the OKIDATA Business Partner Exchange (BPX) for any updates to this material. (<http://bpx.okidata.com>)



Service Manual for OF5800

Chapter 3 Adjustment Procedures

Bit	Initial Setting	Adjustment	Usage / Comments
7	0	Flash key On/Off time	Bit 7 6 5 4 3 2 1 0 time 1 1 1 1 1 1 1 1 255 ms
6	0		
5	0	Sets the flash time when the Flash key is depressed.	0 0 0 0 0 1 0 0 4 ms 0 0 0 0 0 0 1 1 3 ms 0 0 0 0 0 0 1 0 2 ms 0 0 0 0 0 0 0 1 1 ms
4	1		
3	1		
2	1		
1	1		
0	0		

Unique Switch G:1

Bit	Initial Setting	Adjustment	Usage/Comments
7	0	Flash key On/Off time	Bit 7 6 5 4 3 2 1 0 time 1 1 1 1 1 1 1 1 255 ms
6	0		
5	0	Sets the flash time when the Flash key is depressed.	0 0 0 0 0 1 0 0 4 ms 0 0 0 0 0 0 1 1 3 ms 0 0 0 0 0 0 1 0 2 ms 0 0 0 0 0 0 0 1 1 ms
4	1		
3	1		
2	1		
1	1		
0	0		



Service Manual for OF5800

Chapter 3 Adjustment Procedures

Factory use only

Copyright 1997, Okidata, Division of OKI America, Inc. All rights reserved. See the OKIDATA Business Partner Exchange (BPX) for any updates to this material. (<http://bpx.okidata.com>)



Service Manual for OF5800

Chapter 3 Adjustment Procedures

Bit	Initial Setting	Adjustment	Usage / Comments
7	0	Factory use only	
6	2	LCD error message 0: Remains in LCD 1: Returns to standby	After an error message has printed, the setting of this switch determines if the error message will remain in the display
5	2	Buffer/Keypad volume	
4	0	OFF Low Medium Maximum 0 0 1 1 0 1 0 1	
3	0	Factory use only	
2	0	Factory use only	
1	0	Factory use only	
0	0	Factory use only	

Copyright 1997, Okidata, Division of OKI America, Inc. All rights reserved. See the OKIDATA Business Partner Exchange (BPX) for any updates to this material. (<http://bpx.okidata.com>)



Service Manual for OF5800

Chapter 3 Adjustment Procedures

Factory use only

Copyright 1997, Okidata, Division of OKI America, Inc. All rights reserved. See the OKIDATA Business Partner Exchange (BPX) for any updates to this material. (<http://bpx.okidata.com>)



Service Manual for OF5800

Chapter 3 Adjustment Procedures

To print the T.30 monitor, press **PROGRAM**, *, **5**. After printing, the unit will return to standby.

T30 Monitor ** Printing **

Copyright 1997, Okidata, Division of OKI America, Inc. All rights reserved. See the OKIDATA Business Partner Exchange (BPX) for any updates to this material. (<http://bpx.okidata.com>)



Service Manual for OF5800

Chapter 3 Adjustment Procedures

This mode causes the unit to print a summary list of the unit's programming modes. To print the program mode list, press **PROGRAM**, *, **8**. After printing the unit will return to standby.

Program List
** Printing **

Copyright 1997, Okidata, Division of OKI America, Inc. All rights reserved. See the OKIDATA Business Partner Exchange (BPX) for any updates to this material. (<http://bpx.okidata.com>)



Service Manual for OF5800

Chapter 3 Adjustment Procedures

This mode offers the ability to print a test pattern and monitor certain unit output functions. Included are life monitor, and life monitor clear, printer test, stamp test, and a background level setting.

1. Press **PROGRAM**, *, **9** to enter the test mode. Press **PROGRAM** to scroll through the test modes.

Life Monitor Program/Enter

Clear Life Monitor Program/Enter

Printer Test Program/Enter

Stamp Test Program/Enter

Set Background Level Program/Enter

2. Press **ENTER** to select the desired test mode.
-



Service Manual for OF5800

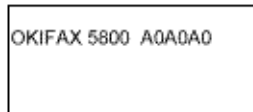
Chapter 3 Adjustment Procedures

The life monitor displays the current software version and the total number of pages scanned, printed, and transmitted.

1. Press **PROGRAM**, *, **9**, **ENTER**.



2. Press One-touch A-D to select the desired display. Press **STOP** to exit the test mode.



NOTE: The following options are available:

- One-touch A = displays software version*

* If option boards are installed, press **0** for the unit itself; **1** (and **2**) are for installed board revisions

- One-touch B = displays total pages scanned
 - One-touch C = displays total pages printed
 - One-touch D = displays total pages transmitted
 - One-touch E = displays drums replaced count
 - One touch F = displays current drum count
-

Copyright 1997, Okidata, Division of OKI America, Inc. All rights reserved. See the OKIDATA Business Partner Exchange (BPX) for any updates to this material. (<http://bpx.okidata.com>)



Service Manual for OF5800

Chapter 3 Adjustment Procedures

The life monitor keeps a count of the pages scanned, printed and transmitted. This mode clears the page counter in the Life Monitor.

1. Press **PROGRAM**, *, **9**, **PROGRAM**.

Clear Life Monitor Program/Enter

2. Press **ENTER**.

Clear Life Monitor Check Program/Enter

3. Press **ENTER**. The counters will be reset.

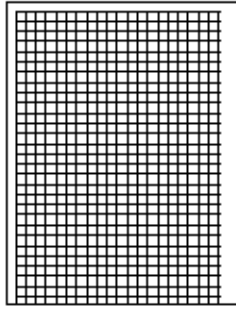
Note: To complete the operation without performing initialization, press **STOP** or **PROGRAM**.

Copyright 1997, Okidata, Division of OKI America, Inc. All rights reserved. See the OKIDATA Business Partner Exchange (BPX) for any updates to this material. (<http://bpx.okidata.com>)

The Printer Test mode offers two different test patterns as shown below.



Pattern A

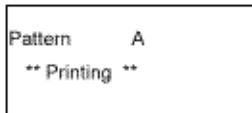


Pattern B

1. Press **PROGRAM**, *, **9**, **PROGRAM**, **PROGRAM**, then press **ENTER**.



2. Press **A** or **B** to select the desired pattern.



The selected pattern will print continuously.

Press **STOP** to cancel the printing.

3. To select another pattern, repeat the step 2.

Or press **STOP** to exit the printer test mode.

4. Press **STOP** to return to standby.
-

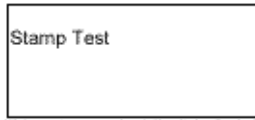


Service Manual for OF5800

Chapter 3 Adjustment Procedures

This mode tests the operation of the stamp.

1. Insert one sheet of paper into the document feeder of the fax machine.
2. Press **PROGRAM**, *, **9**, **PROGRAM**, **PROGRAM**, **PROGRAM**, then press **ENTER**, and then **START**.



The page will be stamped while it is fed through the document feeder.

3. Press **STOP** to return to standby.
-

Copyright 1997, Okidata, Division of OKI America, Inc. All rights reserved. See the OKIDATA Business Partner Exchange (BPX) for any updates to this material. (<http://bpx.okidata.com>)



Service Manual for OF5800

Chapter 3 Adjustment Procedures

The background level is an established threshold used to help measure the reflective ability of a scanned document. This threshold can change if the scanner lamp, CCD, or the ballast is replaced; therefore this mode should be used to reset the threshold when these items are changed. The All RAM Clear function can also be used to reset the background level, however, the Set Background Level mode allows the level to be set without erasing memory contents.

1. Insert white paper in the document feeder of the fax machine.
2. Press **PROGRAM**, *, **9**, **PROGRAM**, **PROGRAM**, **PROGRAM**, **PROGRAM**, then press **ENTER**.

Set Background Level
** Complete **

3. Press **STOP** to eject paper
-

Copyright 1997, Okidata, Division of OKI America, Inc. All rights reserved. See the OKIDATA Business Partner Exchange (BPX) for any updates to this material. (<http://bpx.okidata.com>)



Service Manual for OF5800

Chapter 3 Adjustment Procedures

This function instructs the unit to print a list of the machine parameter, memory switch and unique switch settings. The list shows the default and current settings for each. After printing, the unit returns to standby.

1. Press **PROGRAM**, *, **A**.

Memory Switch
** Printing **

Copyright 1997, Okidata, Division of OKI America, Inc. All rights reserved. See the OKIDATA Business Partner Exchange (BPX) for any updates to this material. (<http://bpx.okidata.com>)

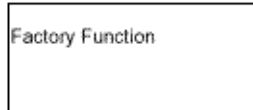


Service Manual for OF5800

Chapter 3 Adjustment Procedures

This factory functions provide several machine tests including LED and LCD tests, a keypad test, memory tests, a RTC test, and optional RS-232C serial port test.

1. Press **PROGRAM**, *, **B**.



2. To select the desired test mode, press **A-H** as indicated in the following list.

(A detailed explanation of each mode follows this list.)

- One-touch A = prints a list of the Factory Functions)
 - One-touch B = LED test
 - One-touch C = LCD test
 - One-touch D = Key Panel test
 - One-touch E = SRAM check
 - One-touch F = DRAM check
 - One-touch G = RTC test
 - One-touch H = RS-232C port test(optional RS-232C port required)
-

Copyright 1997, Okidata, Division of OKI America, Inc. All rights reserved. See the OKIDATA Business Partner Exchange (BPX) for any updates to this material. (<http://bpx.okidata.com>)



Service Manual for OF5800

Chapter 3 Adjustment Procedures

Press **PROGRAM**, *, **B**. Then press **A**. A list of the Factory Functions will print. After printing, the unit will return to standby.

Copyright 1997, Okidata, Division of OKI America, Inc. All rights reserved. See the OKIDATA Business Partner Exchange (BPX) for any updates to this material. (<http://bpx.okidata.com>)



Service Manual for OF5800

Chapter 3 Adjustment Procedures

Page: 128

-
1. Press **PROGRAM**, * , **B**. Then press **B**. All LEDs will turn on.
 2. Press **STOP** to exit the test mode.

The following options are available:

PROGRAM = All LEDs will turn on.

< key = All LEDs will turn off.

Copyright 1997, Okidata, Division of OKI America, Inc. All rights reserved. See the OKIDATA Business Partner Exchange (BPX) for any updates to this material. (<http://bpx.okidata.com>)



Service Manual for OF5800

Chapter 3 Adjustment Procedures

This mode displays two test patterns in LCD.

1. Press **PROGRAM**, *, **B**. Then press **C**.



The following options are available:

PROGRAM = All Dots turn on.

< key = All Dots turn off.

2. Press **STOP** to exit the test mode.
-

Copyright 1997, Okidata, Division of OKI America, Inc. All rights reserved. See the OKIDATA Business Partner Exchange (BPX) for any updates to this material. (<http://bpx.okidata.com>)



Service Manual for OF5800

Chapter 3 Adjustment Procedures

1. Press **PROGRAM**, *, **B**. Then press **D**.

Key Panel Test

2. As each button on the keypad is pressed, a representative name as show in the table on the next page will be displayed.

3. Press the **STOP** button twice to cancel the key panel test.

Key	LCD Indication	Key	LCD Indication
AUTO ANSWER	Auto Rx	SPEED DIAL/TEL INDEX	Speed
MEMORY TRANSMIT	Memory Transmit	REDIAL/PAUSE	Redial
REVIEW COMMANDS	Review	HOLD	Hold
MODE	Mode	FLASH	Flash
CONTRAST	Contrast	MONITOR CALL	Monitor/Call
<	<	STAMP	Stamp
>/PROGRAM	>	STOP	Stop
ENTER	Enter	COPY	Copy
CANCEL	Cancel	START	Start
BROADCAST	Broadcast	Numeric keys 0 through #	0 through #
COMMUNICATION OPTIONS	Com. Options	One-touch keys A through U8	
GROUP DIAL	Group	Programmable One-touch keys P1 through P12	P1 through P12
DIALING OPTIONS	Dialing Options		



Service Manual for OF5800

Chapter 3 Adjustment Procedures


This mode is used to test the SRAM memory where user programmed parameters such as date, time, TTI, etc are stored. Note: When this test is executed, an All RAM Clear will be performed by the unit. The All RAM Clear erases all user settings and resets all memory switches, machine parameters and unique switches to factory defaults.

1. Press **PROGRAM**, *, **B**. Then press **E**.




SRAM Check

The values FF, AA, 55, and 00 are written to, then read from, memory. The results are show in the display. If the read/write test is successful, the display will show "OK" after each value.



SRAM Check
FF:OK

If some portion of the read/write test fails the display will show "NG" after the failed value.



SRAM Check
FF:NG 13800:A5

2. Upon completion, the unit will return to the standby mode.
-



Service Manual for OF5800

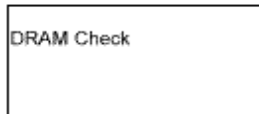
Chapter 3 Adjustment Procedures

This mode is used to test the DRAM memory, or document memory.

Note: When this test is performed, an All RAM Clear will be performed by the unit. The All RAM Clear erases all user settings and resets all memory switches, machine parameters and unique switches to factory defaults. This is a read/write test that requires a few moments to complete.

Note: Perform a DRAM test whenever a memory upgrade is added to the unit.

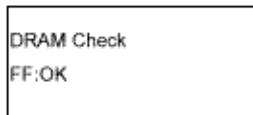
1. Press **PROGRAM**, *, **B**. Then press **F**.



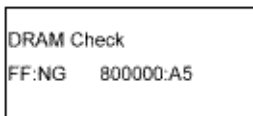
2. Enter numeric 1, 2, 3, 4, depending on the amount of DRAM in the unit. Please refer to the following table:

- 1 = Standard 1 meg
- 2 = If upgrade is installed in upper connector
- 3 = If upgrade is installed in middle connector
- 4 = If upgrade is installed in bottom connector

The values FF, AA, 55, and 00 are written to, then read from, memory. The results are show in the display. If the read/write test is successful, the display will show "OK" after each value.



If some portion of the read/write test fails, the display will show "NG" after the failed value.



Press **STOP** to exit the test mode.



Service Manual for OF5800

Chapter 3 Adjustment Procedures

Page: 133

This test mode is not applicable to field service of the OKIFAX 5800.

Copyright 1997, Okidata, Division of OKI America, Inc. All rights reserved. See the OKIDATA Business Partner Exchange (BPX) for any updates to this material. (<http://bpx.okidata.com>)



Service Manual for OF5800

Chapter 3 Adjustment Procedures

This mode offers several internal tests and the ability to monitor certain unit output functions. Included are relay tests, modem signal output monitoring, and DTMF output monitoring.

1. Press **PROGRAM**, *, **C** to enter the test mode. The tests are contained within three main menus.

Relay Test

Tonal Test

DTMF Test



Service Manual for OF5800

Chapter 3 Adjustment Procedures

This mode tests the on/off operation of various relays and switches.

1. Press **PROGRAM**, *, **C**, **ENTER**. A list of abbreviations representing the various relays and switches will appear in the display.

```
CML H L S DP
C24
```

2. The one-touch keys are used to toggle the various relays and switches on and off as outlined below. When a relay or switch is turned on, an asterisk(*) will appear to the left of the item's abbreviation in the LCD. For example pressing A turns the CML relay on. An asterisk appears to the left of CML in the display. Press the **STOP** button to exit the test modes.

```
*CML H L S DP
C24
```

Press the corresponding one-touch key to toggle the test item on or off.

One-touch key	Test function	One-touch key	Test function
A	CML relay -- on/off	D	S relay -- on/off
B	H/L relay -- on/off	E	disable
C	disable	F	Cont24V -- on/off

Copyright 1997, Okidata, Division of OKI America, Inc. All rights reserved. See the OKIDATA Business Partner Exchange (BPX) for any updates to this material. (<http://bpx.okidata.com>)



Service Manual for OF5800

Chapter 3 Adjustment Procedures

The tonal signal test permits the unit's output tones to be monitored. In order to monitor the tones, an external monitoring device must be connected to the telephone line.

1 Press **PROGRAM**, *, **C**, **PROGRAM**, **ENTER**.



2. To output a desired tonal signal, press the corresponding one-touch key as shown in the following table. For example, to monitor the 2100 Hz CED tone, press I. The output signal will begin. A different output signal can be selected by pressing corresponding one-touch button.

Note: It may take several moments for output signal to change.

One-touch key	Test function	One-touch key	Test function
A	None (stop signal)	K	FSK Black (ALL 1)
B	462 Hz tone	L	2400 bps
C	1080 hz tone	M	4800 bps
D	1300 Hz tone	N	7200 bps (V.29)
E	1650 Hz tone	O	9600 bps (V.29)
F	1700 Hz tone	P	7200 bps (V.17)
G	1800 Hz tone	Q	9600 bps (V.17)
H	1850 Hz tone	R	1200 bps (V.17)
I	2100 Hz tone	S	14400 bps (V.17)
J	FSK White (All 0)		

3. Press **STOP** to exit the test mode.

Note: To monitor the tones, an external device must be connected to the telephone line jack.

Copyright 1997, Okidata, Division of OKI America, Inc. All rights reserved. See the OKIDATA Business Partner Exchange (BPX) for any updates to this material. (<http://bpx.okidata.com>)



Service Manual for OF5800

Chapter 3 Adjustment Procedures

The DTMF output test permits the unit's DTMF tones to be monitored.

Note: To monitor the tones, an external monitoring device must be connected to the phone line jack.

1. Press **PROGRAM**, *, **C**, press **PROGRAM** twice, then press **ENTER**.



2. Pressing a button on the numeric key pad or one-touch button will produce DTMF tones according to the following table.

One-touch key	Test function	One-touch key	Test function
0	DTMF0 (941 Hz + 1336 Hz)	*	DTMF* (941 Hz + 1209 Hz)
1	DTMF1 (697 Hz + 1209 Hz)	#	DTMF# (941 Hz + 1477 Hz)
2	DTMF1 (697 Hz + 1336 Hz)	A	ROW1 (697 Hz)
3	DTMF1 (697 Hz + 1477 Hz)	B	ROW1 (770 Hz)
4	DTMF1 (770 Hz + 1209 Hz)	C	ROW1 (852 Hz)
5	DTMF1 (770 Hz + 1336 Hz)	D	ROW1 (941 Hz)
6	DTMF1 (770 Hz + 1477 Hz)	E	COL1 (1209 Hz)
7	DTMF1 (852 Hz + 1209 Hz)	F	COL2 (1336 Hz)
8	DTMF1 (852 Hz + 1336 Hz)	G	COL3 (1477 Hz)
9	DTMF1 (852 Hz + 1477 Hz)	H	COL4 (1633 Hz)

3. Press **STOP** to exit the test mode.

Jumper JP1 on the main control PCB is used for battery back-up of the DRAM. Any documents stored in DRAM. Removing JP1 will initialize the DRAM. If the power is turned off, the battery will provide up to 1 week of backup-for 1 meg of memory when fully charged.

Jumper JP2 on the main control PCB is used for battery back-up of the SRAM. All user programmed data and internal Parameter settings are held in SRAM. Removing JP2 will initialize the SRAM. If the power is turned off, the battery will provide up to five years of back-up when fully charged.

Copyright 1997, Okidata, Division of OKI America, Inc. All rights reserved. See the OKIDATA Business Partner Exchange (BPX) for any updates to this material. (<http://bpx.okidata.com>)



Service Manual for OF5800

Chapter 3 Adjustment Procedures

Page: 139

The images stored in DRAM are protected by battery backup for up to 108 hours for a single event in a 40 hour period. In other words, once power is lost and then restored, the unit will not backup documents for the next 40 hours. This time frame allows the batteries to fully recharge. This 40 hour time period can be eliminated by changing Unique Switch H:2, bit 7, to a 1. Changing this setting will allow the technician to turn power off several times while repairing the unit and not lose any documents stored in memory.

Copyright 1997, Okidata, Division of OKI America, Inc. All rights reserved. See the OKIDATA Business Partner Exchange (BPX) for any updates to this material. (<http://bpx.okidata.com>)



Service Manual for OF5800

Chapter 4 Troubleshooting Procedures

Before troubleshooting a unit check the following:

- Is the power cord correctly connected to the machine?
- Is the telephone handset and the telephone line cord connected correctly?
- Is there paper in the paper cassette?
- Are all covers closed correctly?

Before disassembly or making any adjustments be sure the power cord is disconnected from the unit. Check the following:

- The power source should be rated according to unit specifications.
- The unit should not be connected to an electrical circuit with other equipment or where voltages may vary
- The unit should be installed on a flat, level surface.
- The ambient temperature and relative humidity surrounding the unit should be 50° to 95°F (10 to 35°C) at 35% to 80% humidity with no condensation.
- The unit should be located in a well ventilated area.
- The unit should receive necessary cleaning and maintenance.

The unit should be installed:

- Away from heat sources and heating or cooling vents.
- Away from water heaters, steam generators, humidifiers or other areas of high humidity.
- Away from dusty areas.
- Away from areas where chemical fumes or gasses are generated or may collect.
- Away from areas exposed to direct sunlight.

Check the consumables:

- Verify the recording paper supply is adequate and that it is high- or standard-quality 20lb. xerographic bond.
 - Verify the recording paper has been stored away from moisture and damp areas.
 - Verify the recording paper has not been damaged in any way.
-

Symptom: Recording paper did not exit paper cassette properly, or a jam occurred in print area.

Suggested corrective action:

1. Verify that the recording paper conforms to the type specified for use in the machine and that has not been damaged or exposed to moisture.
2. Make sure the recording paper is properly loaded into the paper tray and cassette and the cassette is properly closed.
3. Clean the paper feed rollers of any paper dust buildup. (Clean using a lint-free cotton cloth moistened with a cleaning designed for use on rubber rollers.) Replace the paper feed rollers if worn or damaged.
4. Check the cassette pressure springs for proper installation and operation.
5. Verify that the paper has reached sensor PC1. If it has, check the operation of PC1.
6. Verify the paper take up roller is turning. If not check the main motor. If the main motor is turning, check the operation of the paper feed solenoid.
7. If the main motor does not turn, replace the main motor, the power supply unit or the mechanical control pcb.
8. Check for obstructions in the paper path.

Symptom: Recording paper jammed as it was exiting the unit into receive paper tray.

Suggested corrective action:

1. Check for obstruction in the paper path.
 2. Check the paper exit sensor (PC3) for proper operation.
 3. Clean the exit roller using a lint-free cloth moistened with a cleaning solution designed for use on rubber rollers. Replace the exit roller if worn or damaged.
 4. Verify the fuser rollers are clean and not damaged. If worn or damaged, replace the fuser.
-

Copyright 1997, Okidata, Division of OKI America, Inc. All rights reserved. See the OKIDATA Business Partner Exchange (BPX) for any updates to this material. (<http://bpx.okidata.com>)

Symptom: Original document did not feed into or exit scanner properly, document feeder error message.

Suggested corrective action:

1. Verify the original documents conform to the specifications designed for use in the machine and that they are not damaged in any way.
 2. Verify the number of documents placed into the feeder does not exceed its maximum capacity.
 3. Verify the scanner cover is closed properly.
 4. Remove any foreign substances from inside the scanner area.
 5. Verify that all of the document feed rollers are clean and not damaged. Clean using a lint-free cotton cloth moistened with a cleaning solution designed for use on rubber rollers. Replace the rollers if worn or damaged.
 6. Check the operation of DS1 at connector P11, pin 2, on the main control board.
 7. Check the operation of the separator roller, and the pick-up roller.
 8. Verify the operation to the transmit motor at connector P15, pins 1-4 on the main control board.
 9. Verify that the document feeds into the unit and stops. If the document does not stop, check the operation of DS2 at connector P11, pin 5, on the main control board.
 10. Check all connectors and cables.
 11. Check the operation of the main control board.
-

Copyright 1997, Okidata, Division of OKI America, Inc. All rights reserved. See the OKIDATA Business Partner Exchange (BPX) for any updates to this material. (<http://bpx.okidata.com>)

Symptom: Two or more pages of a multi-page document are fed at once.

Suggested corrective action:

1. Verify that the original documents conform to the specifications designed for use in the machine and they are not damaged in any way.
2. Verify the pages of the document are not stuck together from glue, wet or damp correction fluid, tape, etc.
3. Verify the feed roller, separator roller and retard roller are clean and not damaged. Clean using a lint-free cotton cloth moistened with a cleaning solution designed for on rubber rollers. Replace these items if worn or damaged.

Copyright 1997, Okidata, Division of OKI America, Inc. All rights reserved. See the OKIDATA Business Partner Exchange (BPX) for any updates to this material. (<http://bpx.okidata.com>)



Service Manual for OF5800

Chapter 4 Troubleshooting Procedures

Page: 145

Symptom: Check message prints after attempting a transmission

Suggested corrective action:

1. Reference the error code on the check message or the journal to the error code list contained in this section.

Copyright 1997, Okidata, Division of OKI America, Inc. All rights reserved. See the OKIDATA Business Partner Exchange (BPX) for any updates to this material. (<http://bpx.okidata.com>)

Symptom: A black line appears on all documents transmitted or copied.

Suggested corrective action:

1. Print a document from memory (mode list, journal, etc.) to determine if the problem is in the scanner. If the black line is not on the memory print outs, the problem is not in the scanner.
2. Check for a foreign object in the feeder.
3. Clean the contact glass and the scanner mirrors.
4. Check for wire or other foreign object obstructing the light path to the CCD.

Copyright 1997, Okidata, Division of OKI America, Inc. All rights reserved. See the OKIDATA Business Partner Exchange (BPX) for any updates to this material. (<http://bpx.okidata.com>)

Symptom: The unit will not transmit

Suggested corrective action:

1. Verify the telephone line cord is properly installed and plugged into the correct type of wall jack.
2. Check for dial tone at the unit and at the wall jack. If no dial tone is present at the unit, check fuses PS1 and PS2 on the NCU pcb.
3. Verify that the correct telephone number has been dialed or that the correct telephone number is programmed in the autodialer.
4. Insure Security TX turned off.
5. Place a call through the monitor and check for excessive noise or interference on the telephone line.
6. Verify that the remote location is capable of receiving by checking the following:
 - 6.1. Place a call to the remote machine and verify that it auto answers.
 - 6.2. Insure that the remote machine does not have closed network or block junk fax turned on.
 - 6.3. Transmit to another location.
7. Check the operation of the NCU pcb and the main control pcb.

Copyright 1997, Okidata, Division of OKI America, Inc. All rights reserved. See the OKIDATA Business Partner Exchange (BPX) for any updates to this material. (<http://bpx.okidata.com>)



Service Manual for OF5800

Chapter 4 Troubleshooting Procedures

Page: 148

Symptoms: Check message prints after attempting a reception

Suggested corrective action:

1. Reference the error code on the check message or the journal to the error code list contained in this section.

Copyright 1997, Okidata, Division of OKI America, Inc. All rights reserved. See the OKIDATA Business Partner Exchange (BPX) for any updates to this material. (<http://bpx.okidata.com>)

Symptom: The unit rings but will not auto-answer.

Suggested corrective action:

1. Check the power cord and AC switch.
2. Verify the telephone line is properly installed.
3. Verify recording paper in the unit.
4. Check memory capacity. The unit will answer incoming calls if memory is full.
5. Check the number of rings the unit is set to answer on. If set to a high number of rings, the transmitting unit may "time out."
6. Insure the unit is in the Fax Ready mode.
7. Verify operation of DRD is applicable.
8. Check the operation of the NCU pcb and the main control pcb.

Copyright 1997, Okidata, Division of OKI America, Inc. All rights reserved. See the OKIDATA Business Partner Exchange (BPX) for any updates to this material. (<http://bpx.okidata.com>)



4.11.1 Original Document Jam

4.11.2 Printed document jams

Copyright 1997, Okidata, Division of OKI America, Inc. All rights reserved. See the OKIDATA Business Partner Exchange (BPX) for any updates to this material. (<http://bpx.okidata.com>)

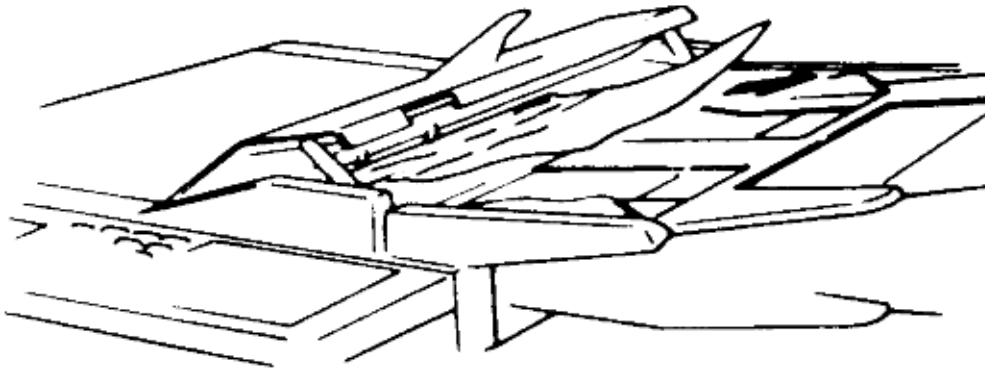


Service Manual for OF5800

Chapter 4 Troubleshooting Procedures

To clear an original document jam:

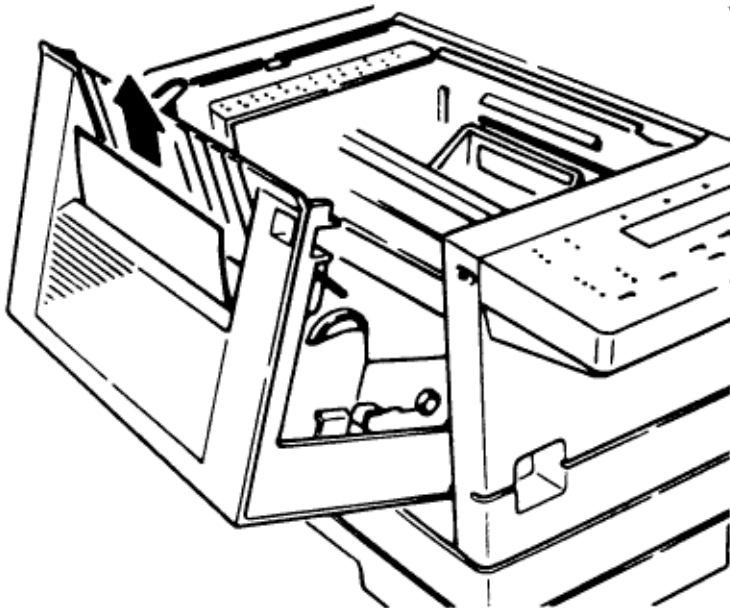
1. Open the Scanner cover by holding the Scanner cover release.
2. Lift the original document from the machine.
3. Gently close the Scanner cover, making sure both sides are snapped down securely. Then re-try the transmission.



Copyright 1997, Okidata, Division of OKI America, Inc. All rights reserved. See the OKIDATA Business Partner Exchange (BPX) for any updates to this material. (<http://bpx.okidata.com>)

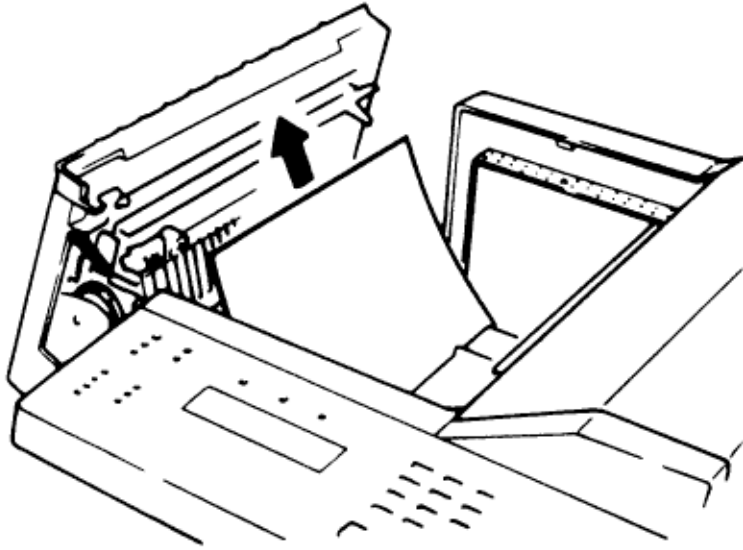
To clear a printout (either a received fax or a copy) jammed inside the printer:

1. Open the printer cover by pressing the printer cover release on the top of your fax machine.
2. Gently pull the jammed page up and out.
3. Close the printer cover, pressing firmly on the both sides of the printer cover until you hear it click.



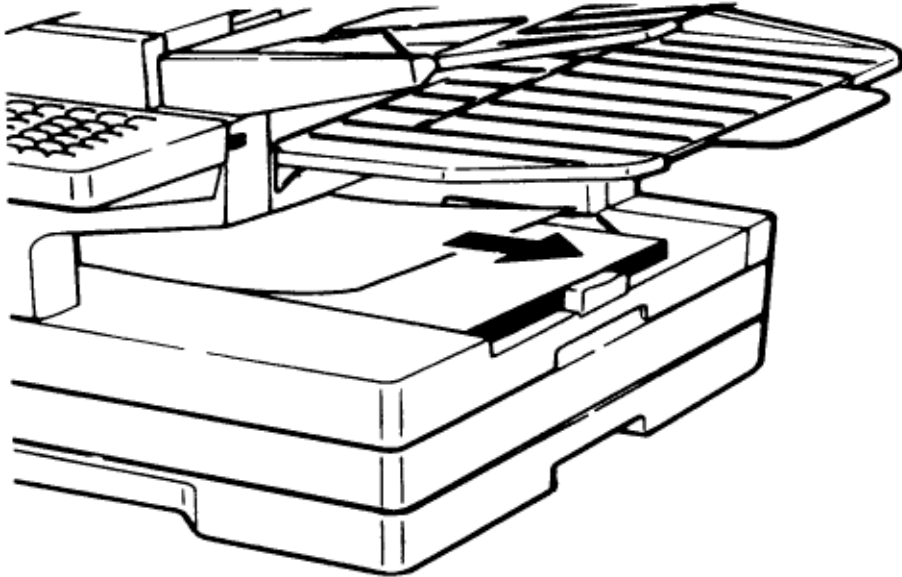
To clear a document jammed at the paper cassette:

1. Pull forward on the paper cassette to open it.
2. Remove the jammed paper from the rollers carefully as shown.
3. Push the paper cassette back into its original position.



To clear a document jammed at the multipurpose tray:

1. Remove the paper stack from the tray and pull out the jammed paper.





Service Manual for OF5800


Chapter 4 Troubleshooting Procedures

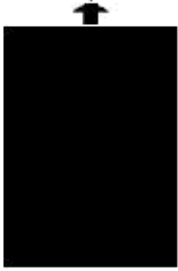


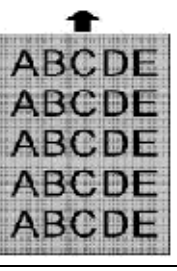
The following provides guidelines for troubleshooting the print engine. Before removing any portion of the machine or making any internal adjustments, be sure power to the unit is OFF. Suggested corrective actions should be performed in order as listed. Most conditions can be corrected by performing routine preventative maintenance. If printer or print quality problems occur, check the following.


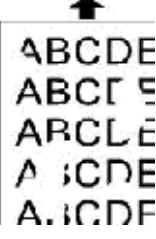

The unit should:

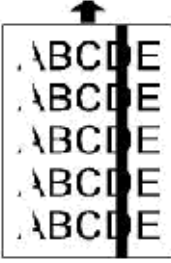
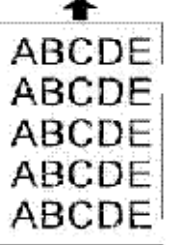
- have the power cord connected.
- be connected to a power source which is rated to machine specifications.
- be installed on a flat, level surface.
- receive good ventilation.
- not be connected to an electrical circuit with other equipment or where voltages may vary.
- not be installed near a direct heating or cooling source or vent.
- not be exposed to high dust concentration.
- not be exposed to direct sunlight
- not be exposed to high temperatures, high humidity, steam or chemical fumes.

If the pages printed by the printer have an image problem shown below, follow the appropriate steps to solve the problem.

<p>Blank pages</p> 	<ul style="list-style-type: none"> ● Insure that the drum and toner cartridge are installed correctly ● Remove the Toner Cartridge and shake it a few times to redistribute the toner inside. If the problem persists, replace the Toner Cartridge. ● Verify that an image is being placed on the drum by printing a document and opening the printer cover before the document completes printing. At this point remove the drum and check for an image on the drum. If there is not an image on the drum, the problem could be caused by improper laser exposure. Replace the print head unit, printer mechanical controller and/or the main control pcb. ● If an image is on the drum, but is not being transferred to the recording paper, check the operation of the high voltage power supply and the transfer roller.
---	--

<p>Black pages</p> 	<ul style="list-style-type: none"> • Verify that the drum and toner cartridge are installed properly. • Remove the drum cartridge and clean the contacts on the toner cartridge inside the unit. If the problem persists, replace the drum. • Replace the drum cartridge. • Replace the print head unit. • Replace the high voltage power supply. • Replace the printer mechanical controller • Replace the printer interface pcb. • Replace the main control board.
<p>Printout too light</p> 	<ul style="list-style-type: none"> • Remove the Toner Cartridge and shake it a few times to redistribute the toner inside. • Remove the drum cartridge and clean the contacts on the toner cartridge inside the unit. If the problem persists, replace the drum. • Verify that a clear image is being placed on the drum by printing a document and opening the printer cover before the document completes printing. At this point remove the drum and check for a clear image on the drum. If there is a clear image on the drum, the problem could be caused by poor image transfer. Replace the image transfer unit and/or the high voltage power supply and/or the printer mechanical controller and/or the main control board.
<p>Printout too dark</p> 	<ul style="list-style-type: none"> • Remove the Toner Cartridge and shake it a few times to redistribute the toner inside. If the problem persists, replace the Toner Cartridge. • Verify operation of the drum unit. • Verify that a clear image is being placed on the drum by printing a document and opening the printer cover before the document completes printing. At this point remove the drum and check for a clear image on the drum. If there is a clear image on the drum, the problem could be caused by poor image transfer. Replace the image transfer unit and/or the high voltage power supply and/or the main control board and/or the printer mechanical controller.
<p>Blurred background</p> 	<ul style="list-style-type: none"> • Insure the drum and toner cartridge are installed correctly. • Replace drum cartridge. • Remove the toner cartridge and clean the contacts on the toner cartridge and inside the unit. If the problem persists replace the toner cartridge. • Replace the high voltage power supply. • Replace the printer mechanical controller pcb. • Replace the main control board.

<p>Uneven print density</p> 	<ul style="list-style-type: none"> • The toner may be unevenly distributed inside the toner cartridge. Remove the cartridge from the printer and shake it a few times to redistribute the toner inside. • Verify operation of the drum cartridge. • Check for moisture on the drum surface. If moisture is found, allow the drum to dry. • Verify that a clear image is being placed on the drum by printing a document and opening the printer cover before the document completes printing. At this point remove the drum and check for a clear image on the drum. If there is a clear image on the drum, the problem could be caused by poor image transfer. Replace the image transfer unit and/or the high voltage power supply and/or the printer mechanical controller. If the image is poor on the drum, replace the drum and/or print head.
<p>Irregularities</p> 	<ul style="list-style-type: none"> • Insure that the paper being used in the unit is dry and has not been exposed to excessive moisture. • Verify that a clear image is being placed on the drum by printing a document and opening the printer cover before the document completes printing. At this point remove the drum and check for a clear image on the drum. If there is a clear image on the drum, the problem could be caused by poor image transfer. Replace the image transfer unit and/or the high voltage power supply and/or the main control board. • If the image is poor on the drum, replace the drum and/or print head.
<p>White (Black) Line</p> 	<ul style="list-style-type: none"> • Clean contact glass if problem occurs in copy mode. • Remove and check the drum and toner cartridge for damage. If required, replace the drum or toner cartridge. • Verify that a clear image is being placed on the drum by printing a document and opening the printer cover before the document completes printing. At this point, remove the drum and check for a clear image on the drum. If there is a clear image on the drum, the problem could be caused by poor image transfer. Replace the image transfer unit and/or the main control board. • If the image is not clear, replace the print head and/or the drum. • Check the fuser roller for damage. If found, replace the fuser unit.

<p>Toner smudges</p> 	<ul style="list-style-type: none"> ● Remove the toner cartridge from the printer and shake it a few times. If the problem persists, replace the cartridge. ● Clean the fuser unit rollers. ● Clean the transport roller. ● Install a new cartridge if needed.
<p>White spots at intervals</p> 	<ul style="list-style-type: none"> ● Replace the drum cartridge. ● Verify that a clear image is being placed on the drum by printing a document and opening the printer cover before the document completes printing. At this point, remove the drum and check for a clear image on the drum. If there is a clear image on the drum, the problem could be caused by poor image transfer. Replace the image transfer unit and/or the main control board. ● If the image is not clear, replace the print head and/or the drum.



Service Manual for OF5800

Chapter 4 Troubleshooting Procedures

Use a mild cleaning solution on a lint-free cloth to wipe the machine's cover, handset and paper cassette tray. Never spray cleaner directly onto the fax machine as the spray could damage components inside the fax.

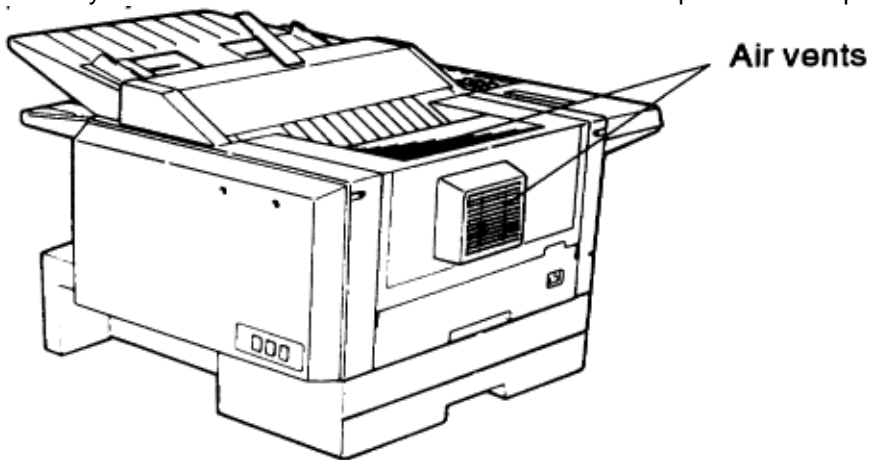
Copyright 1997, Okidata, Division of OKI America, Inc. All rights reserved. See the OKIDATA Business Partner Exchange (BPX) for any updates to this material. (<http://bpx.okidata.com>)



Service Manual for OF5800

Chapter 4 Troubleshooting Procedures

Excessive dust on the equipment and power supply air vents can cause overheating. Remove dust periodically with a vacuum cleaner or brush. **Note:** Do not wipe with a damp cloth.



Copyright 1997, Okidata, Division of OKI America, Inc. All rights reserved. See the OKIDATA Business Partner Exchange (BPX) for any updates to this material. (<http://bpx.okidata.com>)

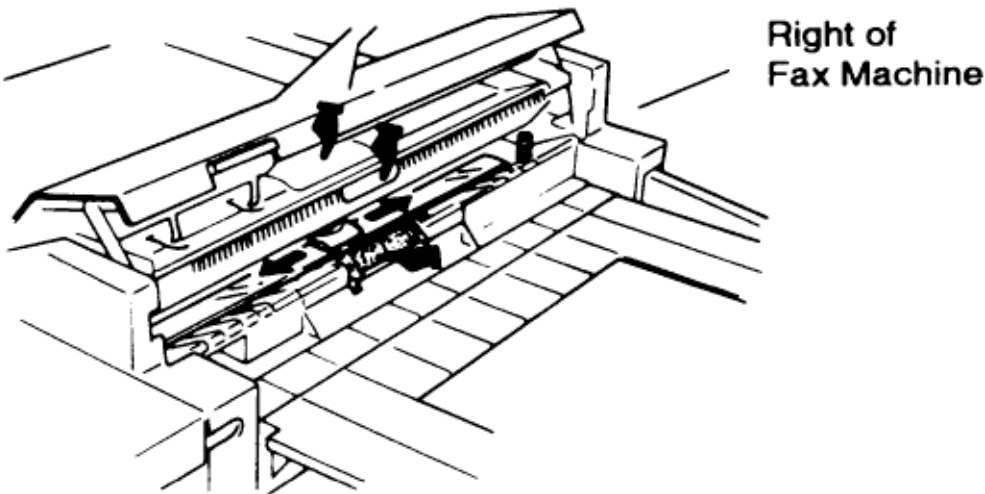


Service Manual for OF5800

Chapter 4 Troubleshooting Procedures

If the unit is not feeding documents properly, perform this procedure:

1. Turn off your fax machine.
2. Get a soft, lint-free cloth.
3. Moisten the cloths as follows: One of the two cloths with isopropyl alcohol and the other cloth with a cleaner suitable for use on platen/rubber rollers.
4. Open the scanner cover by holding the scanner cover release.
5. Use the moistened cloth (see step 2 and 3) to clean the face of rollers. Rotate the rollers by hand to allow cleaning of the entire roller surface. **Note:** Do not use abrasive materials on the contact glass.
6. Use the cloth with isopropyl alcohol (see step 1 and 2) to clean the contact glass.
7. Close the scanner cover.





Service Manual for OF5800
Chapter 4 Troubleshooting Procedures

Do not clean the transfer roller with liquid cleaner. Cleaning with a liquid solution could damage the transfer roller.

Copyright 1997, Okidata, Division of OKI America, Inc. All rights reserved. See the OKIDATA Business Partner Exchange (BPX) for any updates to this material. (<http://bpx.okidata.com>)



Service Manual for OF5800

Chapter 4 Troubleshooting Procedures

The following error messages appear in the unit's LCD and assist in troubleshooting machine problems. If you receive one of the following messages, follow the directions and then press **Stop** to return to standby.

Reset Document	The document was not inserted correctly or the machine you are sending to cannot accommodate the length of your page. Reset the page and try to transmit again.
Insert Document	There was no document in the document feeder when you tried to send a fax or make a copy. Place a document in the feeder and try again.
Hang Up Error	The optional handset is off-hook. Return it to its cradle, making sure the upper part of the handset presses on the "hook" switch.
Call For Service	The scanner lamp is dim or inoperable. Replace the scanner lamp assembly and/or the inverter.
Too Many Characters	You tried to enter too many numbers or characters in the item you were entering. Press CANCEL to delete the extra characters and try the command again.
Invalid Number	You pressed a key which has no function during your current use of the fax machine.
No Number Stored	You selected an autodialer number for which there is no phone number programmed. Either choose another autodialer number or dial a phone number directly through the numeric keypad.
Communication Error	A communication error disrupted the reception or transmission in progress. Press STOP to end the error message, then try the transmission again. Close Scanner Cover The scanner cover is open. Please close it.
Close Top Cover	The upper printer cover is open. Please close it.
Please Remove Paper	A paper jam has occurred. Remove the jammed paper.
No Report	You requested an activity journal or confirmation report, but your fax machine has no record of any communication having occurred.
Enter No. (00-99)	You entered a number greater than 99 while trying to print a database polling document. Your fax machine can store 100 database polling files, numbered 0 to 99. Select the number of the file you need and re-enter it.
Enter No. (0-32)	You tried to enter a call group number greater than 32. Your fax machine offers 32 groups, numbered 1 to 32. Select the call group you need and re-enter its number.
Enter No. (1-99)	You tried to request more than 99 copies from your fax machine. Your unit can create up to 99 copies of a document. Select a quantity of 99 or fewer, and re-enter your selection.
No Document Stored	You tried to print a document from memory but your fax machine did not have a document stored.
No Command	You have tried to review upcoming commands using the REVIEW COMMANDS function, but your fax machine does not have any commands stored in memory.

Invalid I.D. Code	The SecureMail passcode you entered is not valid. Try entering your passcode again.
Memory Overflow	During transmission or copying, you tried to enter more pages into memory that your fax could store. Press START or COPY to transmit or copy the pages that were stored. Or press CANCEL to delete the pages stored during this operation, but not previously stored documents.
All Commands In Use	Your fax machine has twenty delayed commands stored in memory and cannot accept another delayed command. You can delete an existing command using REVIEW COMMANDS or you can wait for your fax to complete a delayed command or redial process, freeing delayed command memory for your use.
Check # Of Pages	You placed fewer pages into the document feeder than indicated in the "Set # of Pages" user setting. Carefully count the number of pages in your document and try the transmission again.
Please Supply Toner	Toner supply is empty.
Check Paper Size	Recording paper size is different than the setting. Set correct paper size in the operator settings.
Check Rx Paper	Both the multipurpose tray and paper cassette have run out of paper.
Check Tray Paper	The multipurpose tray has run out of paper.
Check Cassette Paper	The paper cassette has run out of paper.
Too many Locations	You tried to enter too many autodialer numbers for a broadcast. You can enter up to ten one-touch keys, speed-dial numbers, group numbers and telephone numbers entered through the numeric keypad. Press CANCEL to delete the extra numbers and try the command again.
Scanner In Use	The command you are trying to enter requires the use of the scanner, which is already in use. Wait for the fax to complete the scan, then try again.
Feeder In Use	The command you are trying to enter requires the use of the feeder, which is already in use. Wait for the command in the feeder to be completed, then try your command again.
Printer In Use	The command you are trying to enter requires the use of the printer, which is already in use. Wait for the current printing operation to be completed, then try your command again.
Polling In Use	You tried to store a polling document in your fax machine, but a polling document had already been stored. Wait for the fax to complete the polling transmission, then try again.
Document Stored	You tried to erase a batch box, where the documents had been stored.
Invalid Passcode	The protect passcode you entered is not valid. Try entering your protect passcode again.
No Passcode	The protect passcode had not been programmed in your fax machine. Please program the protect passcode.
No PIN Number	When you had selected "Mode1" in PIN mask feature, you tried to call using a autodialer number, in which the PIN access code had not been entered.
No Dept. Code	The department code had not been programmed in your fax machine when you tried to set the department code. Please program the department code.
Please Call Service	Printer unit inoperable. Refer to section 4.16

Copyright 1997, Okidata, Division of OKI America, Inc. All rights reserved. See the OKIDATA Business Partner Exchange (BPX) for any updates to this material. (<http://bpx.okidata.com>)



Service Manual for OF5800

Chapter 4 Troubleshooting Procedures

If an error occurs during a communication, a check message will be printed. The following provides an explanation of the information found on check messages.

- A possible solution to the problem
- The date and time of the attempted communication
- The sending location (if the remote fax has a Location ID)
- The number of pages which got through before the error terminated the call
- The error code.
- The sample document.

You will also see a code listed in the Result column of the report. Result codes indicate the specific problem encountered:

- "D" codes occur while dialing
- "R" codes occur during reception
- "T" codes occur during transmission

Here is a list of error codes the fax machine may print.

Dialing errors

Reception Errors

Transmission Errors

Communication Error Messages

Copyright 1997, Okidata, Division of OKI America, Inc. All rights reserved. See the OKIDATA Business Partner Exchange (BPX) for any updates to this material. (<http://bpx.okidata.com>)



D.0.1 Congestion tone was detected. Try the call again.

D.0.2 The remote fax machine is busy. Call again.

D.0.3 The **STOP** button was pressed while the unit was dialing. Try the call again.

D.0.6 The autodialer number was not programmed. Program the autodialer number.

D.0.7 The dialing time out occurred because the remote unit did not answer. Try the call again.

D.0.8 Dial tone was not detected. Try the call again.

-
- R.1.1 T1 time-out. The calling unit was not a fax machine or the transmitting unit is having difficulties.
- R.1.2 Compatibility error. The calling unit is attempting to poll a document that does not exist, has secure tx enabled or is attempting to transmit to a nonexistent secure mailbox.
- R.1.4 The Stop button was pressed during reception.
- R.2.1 A compatibility error (closed network, junk fax detection) occurred.
- R.2.3 No response to FTT. Poor phone line conditions made fax communication impossible. Enable the one second pause after CED on Memory Switch C0. Also try increasing the echo wait time on Memory Switch C1 if echo is on the line.
- R.3.1 No response to CFR. DCN was received from the transmitter. Poor line conditions made communication impossible. Adjust the echo wait time on Memory Switch C1 Try increasing the output levels via Machine Parameter A1.
- R.3.3 Too many errors were detected during data reception. The carrier was interrupted. Increase the data error rate on Memory Switch C0.
- R.3.4 DCN was received after FTT. Communication was not possible at 2400 bps. Poor phone line conditions prevented fax communication. Enable the Eye Quality Check on Memory Switch D1 and D2.
- R.3.5 Poor line conditions prevented reception.
- R.4.2 MPS/EOM/EOP was not received Either the line disconnected before reception was completed or too many errors were detected by the receiving unit. Adjust the data error rate on Memory Switch C0. It may also be necessary to decrease the receive communication speed via memory switch C0.
- R.4.4 The receiving fax machine has reached its memory capacity.
- R.5.1 DCN was received instead of RR during ECM communication.
- R.5.2 Line noise or other problems prevented ECM reception.
-



Service Manual for OF5800

Chapter 4 Troubleshooting Procedures

T.1.1 T1 time-out. The remote fax machine didn't respond to your machine. This usually occurs during a manual transmission or when an incorrect number was dialed. Call someone at the remote machine.

T.1.4 The **STOP** button was pressed during transmission.

T.2.1 CFR or FTT was not received from the remote machine. Either the phone line disconnected during fax communication or transmission became impossible due to bad phone line conditions. Try the call again. It may be necessary to increase the output levels on machine parameter A1. The receive machine may also have closed network or block junk fax enabled.

T.2.2 The two fax machines were incompatible. No mailbox at receiver or security tx is enabled.

T.2.3 FTT was received from the remote machine at 2400bps. Bad phone line conditions made fax communication impossible. Conditions can change rapidly, so try the call later. Turn on the echo protect tone on Memory Switch B0. Also adjust the interval between DCS and TCF on Memory Switch B1. If the problem persists, try increasing the output levels on machine parameter A1.

T.3.1 Document feed error, maximum document length exceeded, or insufficient lamp brightness.

T.4.1 No response to MPS/EOP/EOM. Poor phone lines caused the receiving unit to disconnect. Adjust the interval between CFR and data on Memory Switch B1. Try increasing the output levels on Machine Parameter A1. It may also be necessary to adjust the transmit speed on Memory Switch B0.

T.4.2 RTN was received from the remote machine. After transmission began, poor line conditions developed. Try the call again. Attempt the solutions described for the T.4.1 error.

T.4.4 Poor line conditions prevented transmission. PIP was received. The transmission was interrupted by the call mode. The receiving unit may be experiencing problems. Try the call again.

T.5.1 No response to RR from the remote machine. Line noise or other problems prevented ECM transmission. Increase the ECM response time on Memory Switch B2.

T.5.2 No response to CTC. Line noise or other problems prevented ECM transmission. Increase the ECM response time on Memory Switch B2.

T.5.3 EOR was received from the remote unit but further transmission was not possible. Adjust Memory Switch B5 for this problem.

The error messages on Check Message printouts indicate the following:

Here's a brief summary:

Error Message	Possible Meanings
Check condition of remote fax	<ul style="list-style-type: none">● Remove machine malfunctioned● No handshake signals from remote machine● Wrong phone number reached
Repeat transmission	<ul style="list-style-type: none">● Poor phone line conditions prevented communication● No handshake signals from remote machine● Document misfeed or miscount● Unable to reach remote machine after attempting specified number of redials
Line is busy	<ul style="list-style-type: none">● Remote machine was busy● Remote machine didn't answer
Check receive documents	<ul style="list-style-type: none">● Receive confirmation signal not received from remote machine● Poor line conditions caused a poor image
Memory Full	<ul style="list-style-type: none">● Remote units memory capacity has been exceeded.
Dialing number is not set	<ul style="list-style-type: none">● An autodialer number is not stored/programmed properly
Stopped	<ul style="list-style-type: none">● The STOP key was pressed at the remote fax during the handshake.
Message Area is Blank	<ul style="list-style-type: none">● Someone pressed STOP during communication● Printer error occurred during communication



Service Manual for OF5800

Chapter 4 Troubleshooting Procedures

When "Please Call Service" appears in the display, access unique switches F5 and F6 to determine the cause of the error. To access the unique switches:

1. Press **PROGRAM**, *, **4**, **ENTER**.
2. Press one-touch F plus the number 5 (or 6) on the numeric keypad.
3. Press **ENTER**.
4. If the switch is set to a 1, the error indicated in the following table occurred.
5. Once the errors has been cleared, the setting returns to 0.

Unique switch F5			
Switch	Initial Setting	Adjustment	Usage/Comments
7 *	0	Detection of paper exit jam 0: No 1:Yes	
6	0	Factory Use Only	
5 *	0	Detection of paper size error 0: No 1:Yes	
4	0	Factory Use Only	
3	0	Detection of Printer Initialization error 0: No 1:Yes	
2 *	0	Detection of paper jam 0: No 1:Yes	
1 *	0	Presence of recording paper in the cassette 0: No 1:Yes	
0 *	0	Presence of recording paper in the multi-service tray 0: No 1:Yes	

Another error message is in the LCD for these errors. Please see the aforementioned error message list.

Unique switch F6			
Switch	Initial Setting	Adjustment	Usage/Comments
7 *	0	Detection of toner empty 0: No 1:Yes	
6	0	Factory Use Only	

5 *	0	Detection of laser error 0: No 1:Yes	
4	0	Detection polygon motor error 0: No 1:Yes	
3	0	Detection fan motor error 0: No 1:Yes	
2 *	0	Detection of temperature malfunction in the fuser unit. 0: No 1:Yes	
1 *	0	Detection of paper jam in print area 0: No 1:Yes	
0 *	0	Detection of paper jam inside the printer area 0: No 1:Yes	

Another error message is in the LCD for these errors. Please see the aforementioned error message list.

Copyright 1997, Okidata, Division of OKI America, Inc. All rights reserved. See the OKIDATA Business Partner Exchange (BPX) for any updates to this material. (<http://bpx.okidata.com>)

Symptom: "Please Call Service" is in the display. Unique switch F5, position 3 is set to a 1.

Suggested corrective action:

1. Turn the unit off and then on.
 2. Replace the printer mechanical controller board and or the print head unit..
-

Copyright 1997, Okidata, Division of OKI America, Inc. All rights reserved. See the OKIDATA Business Partner Exchange (BPX) for any updates to this material. (<http://bpx.okidata.com>)

Symptom: "Please Call Service" error is in the LCD. Unique switch F6, position 5 is set to a 1.

Suggested corrective action:

1. Replace the printer mechanical controller board.
2. Replace the print head.

Copyright 1997, Okidata, Division of OKI America, Inc. All rights reserved. See the OKIDATA Business Partner Exchange (BPX) for any updates to this material. (<http://bpx.okidata.com>)



Service Manual for OF5800

Chapter 4 Troubleshooting Procedures

Page: 167

Symptom: "Please Call Service" error is in the LCD. Unique switch F6, position 4 is set to a 1.

Suggested corrective action:

1. Replace the printer mechanical controller board.
2. Replace the print head unit.

Copyright 1997, Okidata, Division of OKI America, Inc. All rights reserved. See the OKIDATA Business Partner Exchange (BPX) for any updates to this material. (<http://bpx.okidata.com>)

Symptom: "Please Call Service" error is in the LCD. Unique switch F6, position 3 is set to a 1.

Suggested corrective action:

1. Verify the fan rotates when the power is on.
 2. If the fan does not rotate, replace the fan motor.
 3. If the fan does rotate, replace the printer mechanical controller board.
-

Copyright 1997, Okidata, Division of OKI America, Inc. All rights reserved. See the OKIDATA Business Partner Exchange (BPX) for any updates to this material. (<http://bpx.okidata.com>)

Symptom: "Please Call Service" error is in the LCD. Unique switch F6, position 2 is set to a1.

Suggested corrective action:

1. Verify the heater lamp turns on when the power is turned on.
 2. If the lamp turns on, check the thermistor surface for dirt. If dirty, clean the thermistor.
 3. If after cleaning the thermistor, the unit does not operate properly, check the resistance between the two thermistor leads. When cold, the resistance should be approximately 5K ohms. Replace the thermistor. If the resistance is correct, replace the power supply or the printer mechanical controller.
 4. If during step 1 the lamp did not turn on, check conductivity of the heater lamp. Replace the lamp if there is no conductivity.
 5. Check the 120 VAC into the lamp. If it is not present, replace the power supply.
 6. If the lamp is good and the AC voltage is present, check for conductivity of the thermal fuse. If open, replace the fuse.
 7. If the thermal fuse is good, replace the printer mechanical controller or the power supply.
-

Copyright 1997, Okidata, Division of OKI America, Inc. All rights reserved. See the OKIDATA Business Partner Exchange (BPX) for any updates to this material. (<http://bpx.okidata.com>)



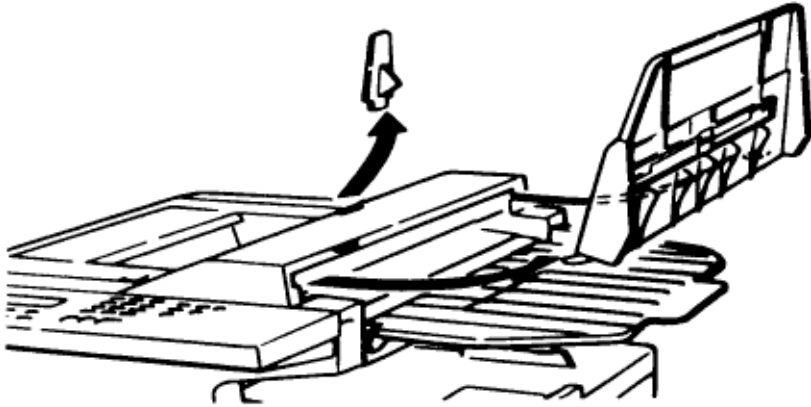
Service Manual for OF5800

Chapter 5 Disassembly

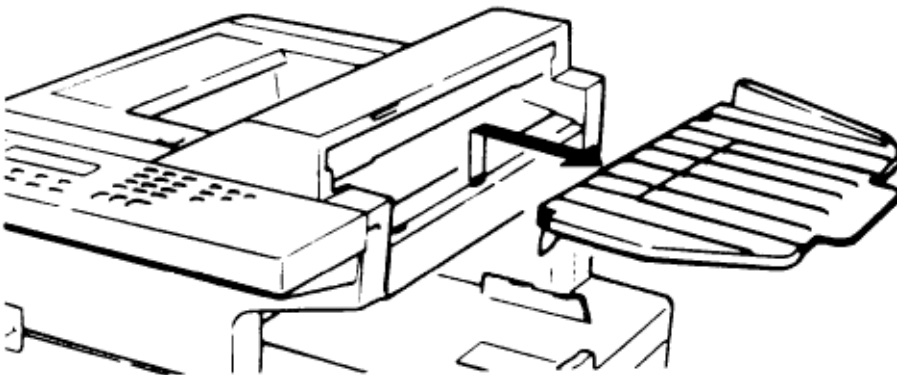
Before disassembling, disconnect the power cord, line cord and handset. Disassembly procedures for the following items will be shown in this section.

1. Document Hopper / Document Tray / Paper Hopper
 2. Main Control PCB, NCU PCB, Modular PCB
 3. Front Cover and Control Panel PCB / LCD
 4. Scanner Assy and Scanner Frame
 5. Inverter PC Board / Scanner Lamp
 6. Scanner Assy A, B, C and Inter Lock Switch
 7. TX Cover and Lock Lever
 8. DS1 / DS2
 9. Press Roller
 10. Separator Roller
 11. Exit Roller / Feed Roller
 12. Stamp
 13. TX Motor
 14. Contact Glass
 15. Speaker
 16. Connector PCB 1 / Connector PCB 2
 17. Printer I/F PCB/Printer Mechanical Controller PCB
 18. Printer Unit
 19. Image Transfer Unit
 20. Printer Cover Unit
 21. High Voltage Unit
 22. Paper Sensor
 23. Power Supply Unit
 24. Heater Lamp
 25. Fusing Unit
 26. Thermistor
 27. Paper Exit Sensor
 28. Print Head Unit
 29. Cassette PCB and PS/Cassette sensor
 30. Pickup Roller W Assy and Solenoid
 31. Feed Roller W and Press Roller W
 32. Bottom Stay and Cassette Frame
-

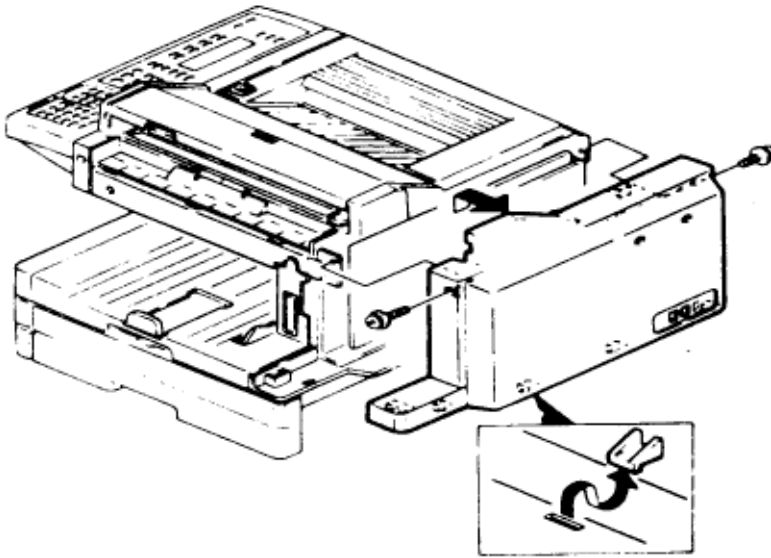
-
1. Pull out the document hopper and paper hopper.



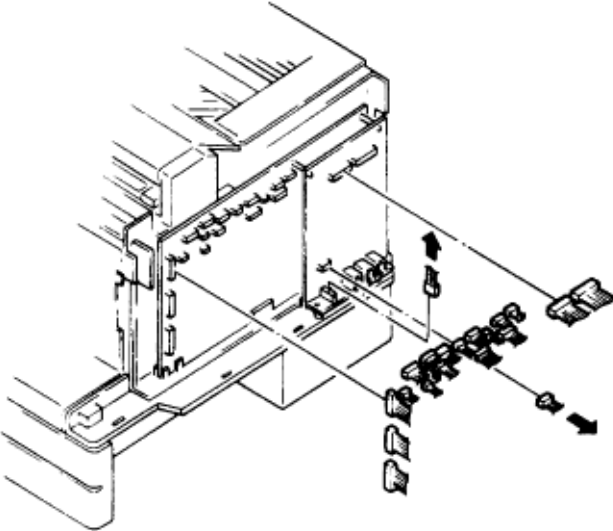
2. Pull out the document tray.



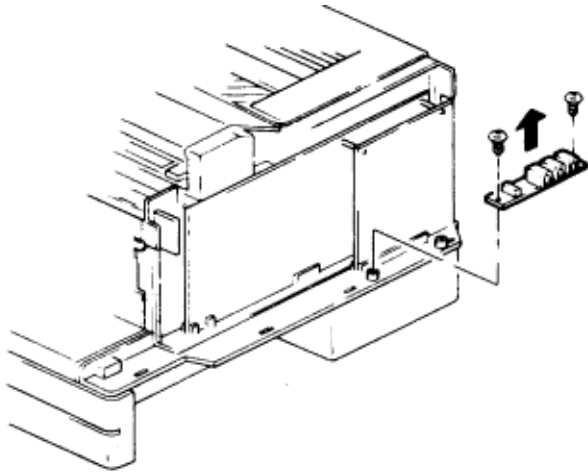
1. Remove the four rear cover mounting screws.
2. Remove the rear cover.



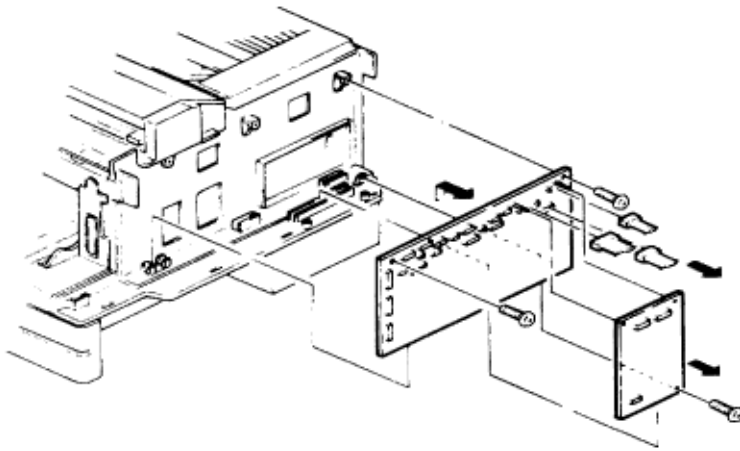
3. Disconnect the connectors.



4. Remove the modular PCB mounting screws and remove the modular PCB.

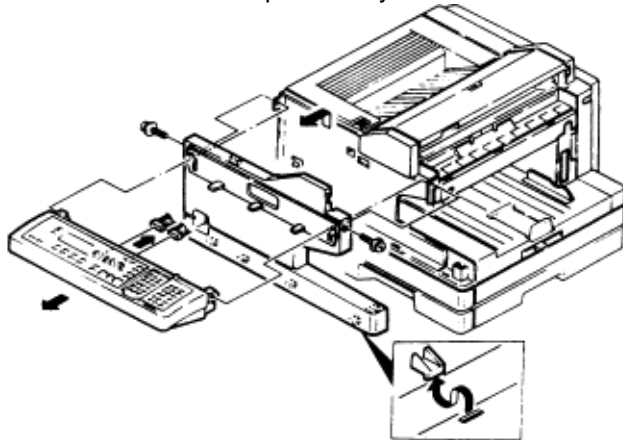


5. Remove the three main control PCB mounting screws and the NCU PCB mounting screw, then remove the main control PCB and NCU PCB.

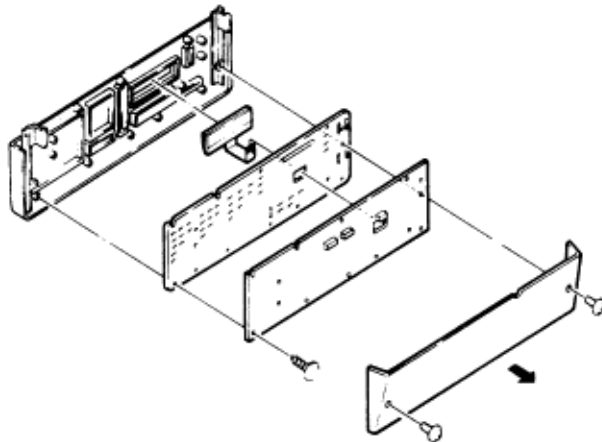


Copyright 1997, Okidata, Division of OKI America, Inc. All rights reserved. See the OKIDATA Business Partner Exchange (BPX) for any updates to this material. (<http://bpx.okidata.com>)

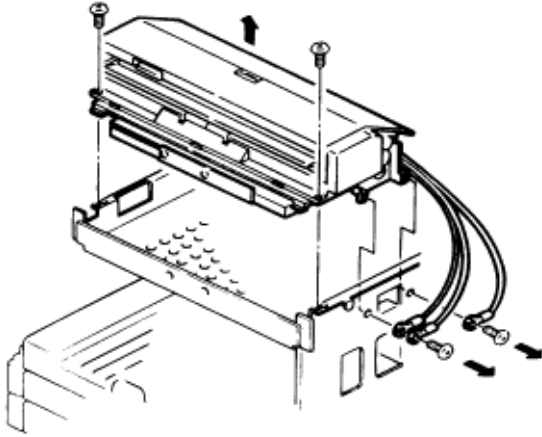
1. Remove the trays and hopper.
2. Remove the four front cover mounting screws and disconnect the control panel PCB connectors.
3. Remove the control panel assy and remove the front cover.



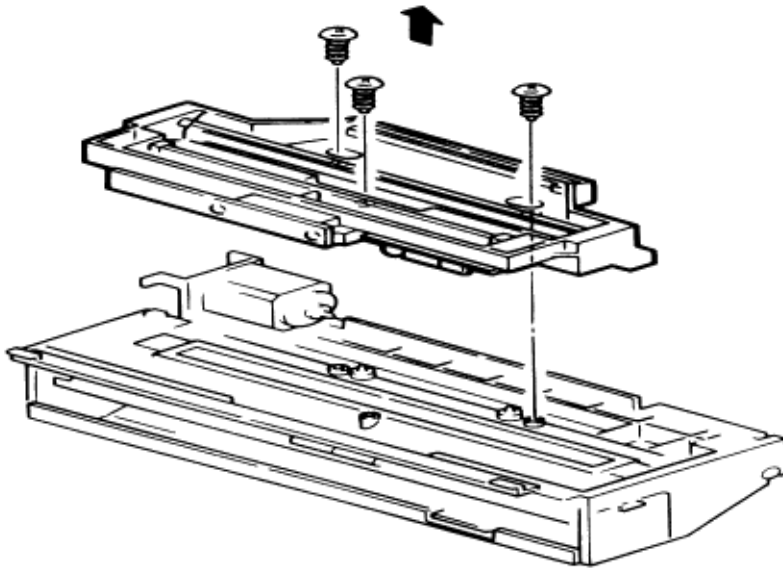
4. Remove the two panel lower cover mounting screws and remove the panel lower cover.
5. Disconnect the LCD connectors.
6. Remove the control panel PCB mounting screws and remove the control panel PCB.
7. Remove the rubber contact and remove the LCD.



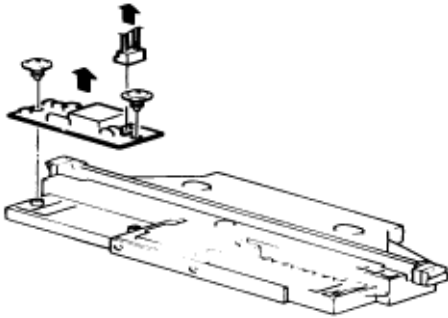
1. Remove the tray and hopper, then remove the front cover and rear cover.
2. Remove the four scanner assy mounting screws and remove the scanner assy.



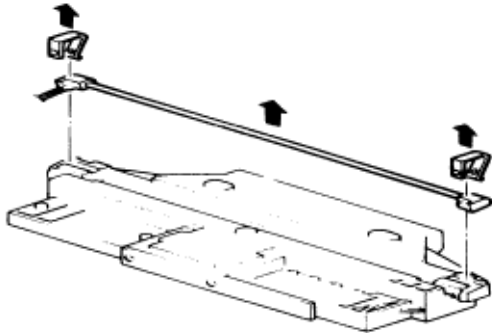
3. Turn the scanner assy upside down, then remove the three scanner frame mounting screws and remove the scanner frame.



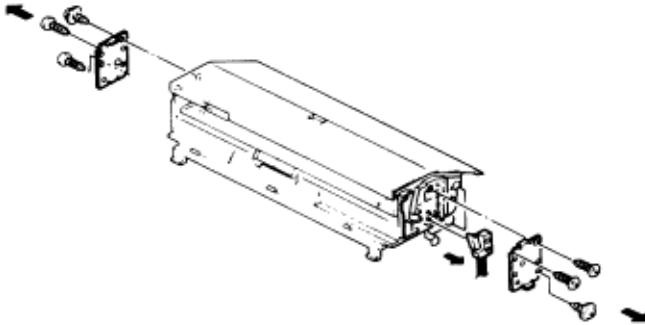
-
1. Remove the scanner frame.
 2. Disconnect the inverter pc board connectors.
 3. Remove the two inverter pc board mounting screws and remove the inverter pc board.



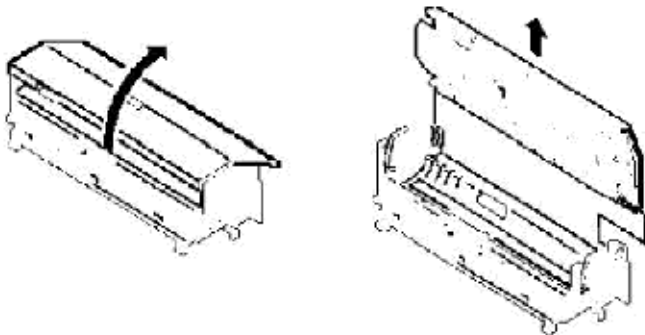
4. Remove the two clamps and remove the scanner lamp.



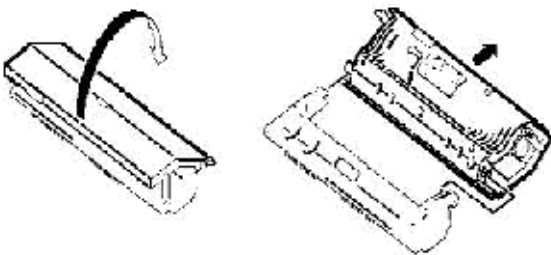
-
1. Remove the six support bracket mounting screws and remove the support brackets.
 2. Remove the interlock switch.



3. Open scanner assy A and remove scanner assy C.

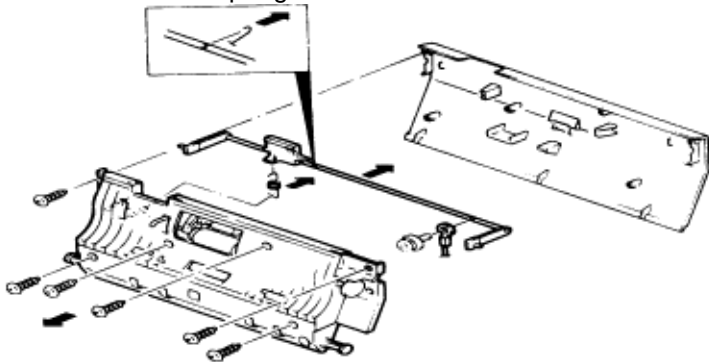


4. Open and remove scanner assy A.

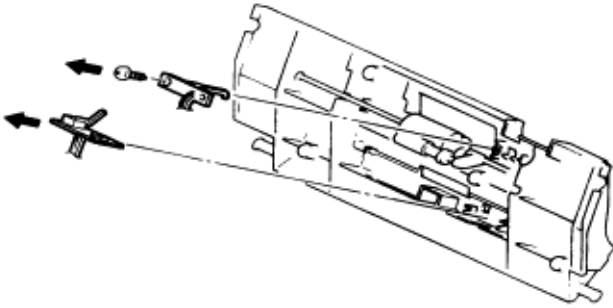


Partner Exchange (BPX) for any updates to this material. (<http://bpx.okidata.com>)

-
1. Remove scanner assy A.
 2. Remove the six TX cover mounting screws and remove the TX cover.
 3. Remove the two springs and remove the lock lever.

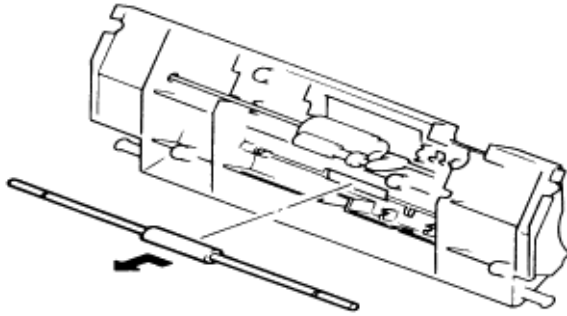


-
1. Remove the TX cover.
 2. Remove the DS1 mounting screw and remove DS1 and DS2.



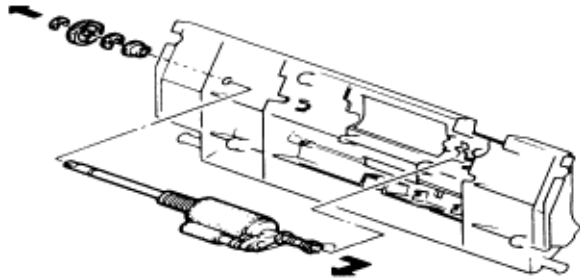
Copyright 1997, Okidata, Division of OKI America, Inc. All rights reserved. See the OKIDATA Business Partner Exchange (BPX) for any updates to this material. (<http://bpx.okidata.com>)

-
1. Remove the TX cover.
 2. Remove the press roller as shown.

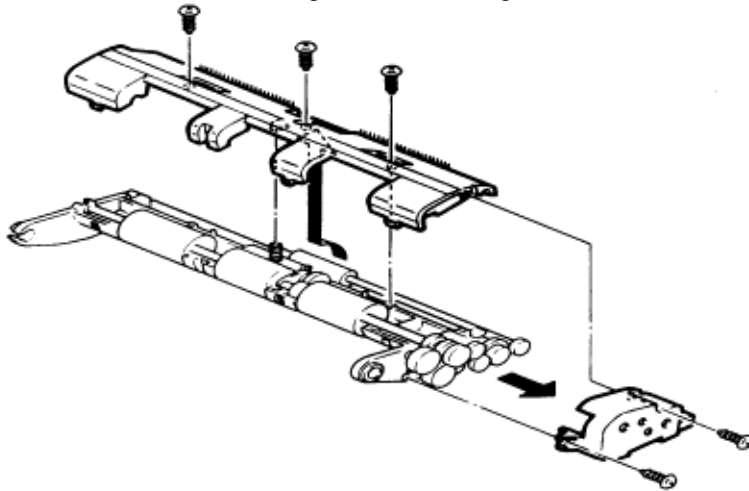


Copyright 1997, Okidata, Division of OKI America, Inc. All rights reserved. See the OKIDATA Business Partner Exchange (BPX) for any updates to this material. (<http://bpx.okidata.com>)

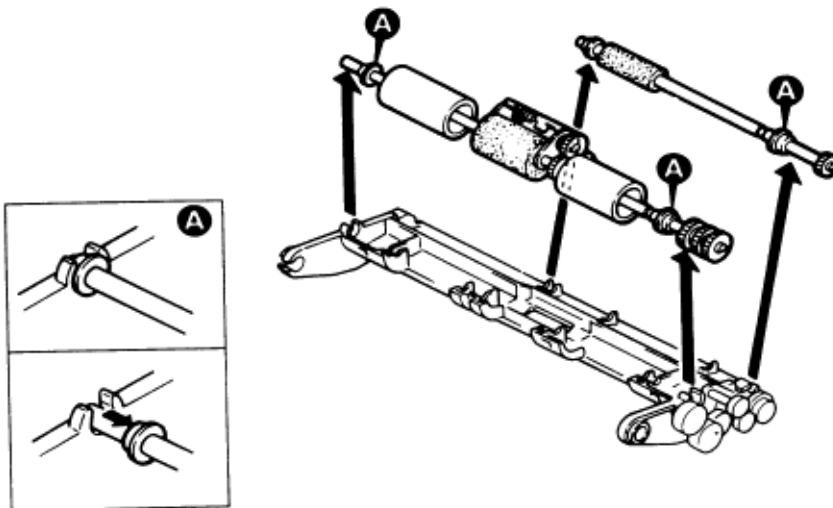
-
1. Remove the TX cover.
 2. Remove the E-ring, bearings, and separator gear.
 3. Remove the separator roller.



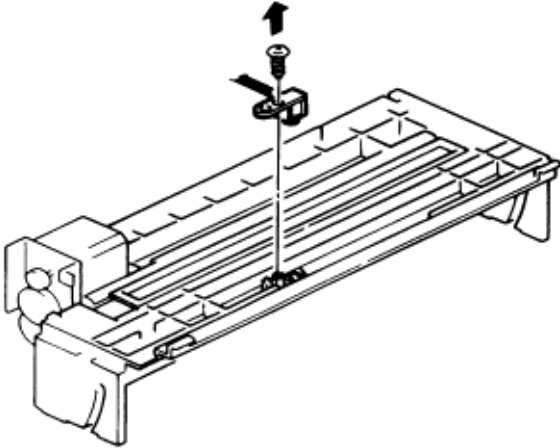
1. Remove the scanner assy B.
2. Remove the two gear cover mounting screws and remove the gear cover.
3. Remove the three inner guide B mounting screws and remove the inner guide B.



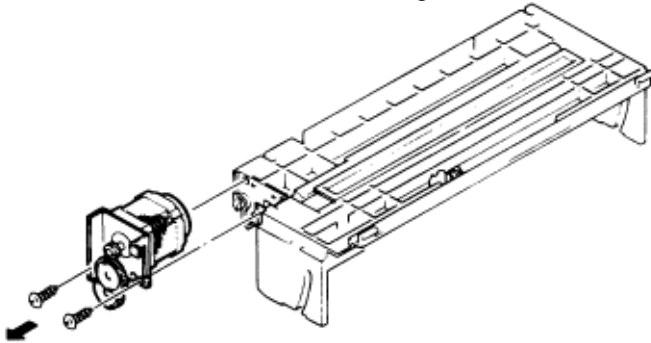
4. Remove the exit roller and remove the feed roller.



-
1. Remove scanner frame C.
 2. Remove the stamp mounting screw and remove the stamp.



-
1. Remove scanner frame C.
 2. Remove the two tx motor assy mounting screws and remove the motor assy.
 3. Remove the two tx motor mounting screws and remove the tx motor.



NOTE: If you hear a grinding noise when the paper is being fed or if the motor does not turn, check the orange vibration damper for clearance.

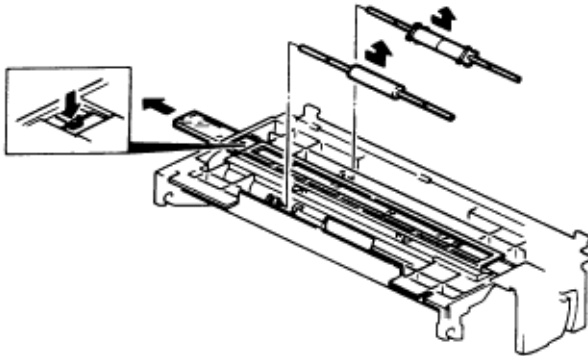
Copyright 1997, Okidata, Division of OKI America, Inc. All rights reserved. See the OKIDATA Business Partner Exchange (BPX) for any updates to this material. (<http://bpx.okidata.com>)



Service Manual for OF5800

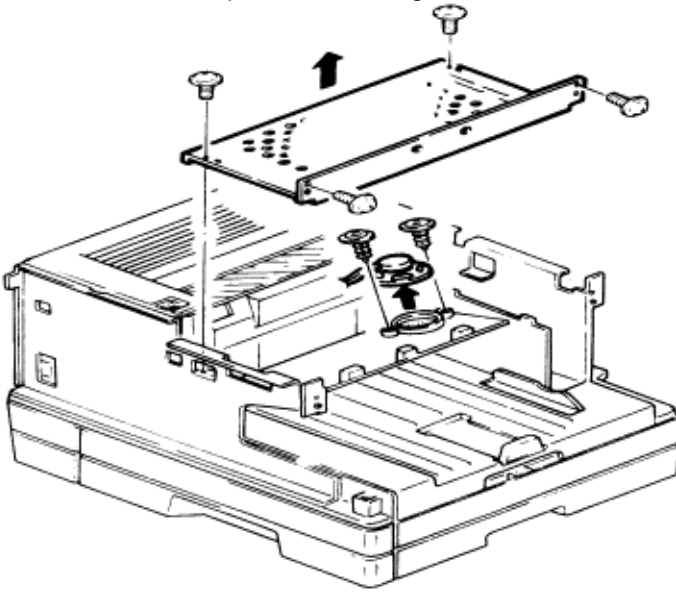
Chapter 5 Disassembly

-
1. Remove scanner frame C.
 2. Release the locking tabs and slide the contact glass.

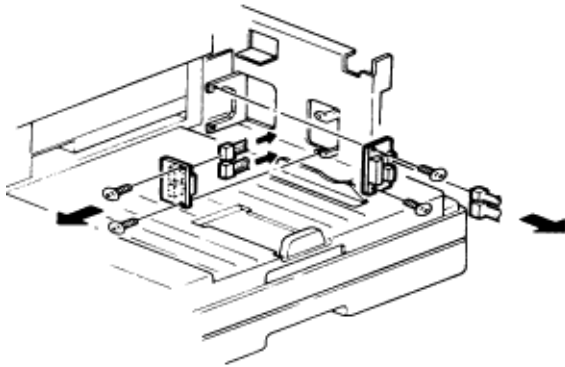


Copyright 1997, Okidata, Division of OKI America, Inc. All rights reserved. See the OKIDATA Business Partner Exchange (BPX) for any updates to this material. (<http://bpx.okidata.com>)

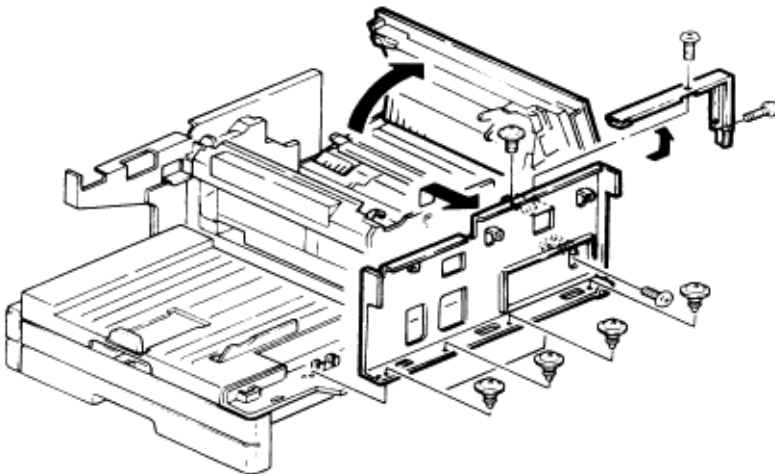
-
1. Remove the scanner assy.
 2. Remove the four middle frame mounting screws and remove the middle frame.
 3. Remove the two speaker mounting screws and remove the speaker.



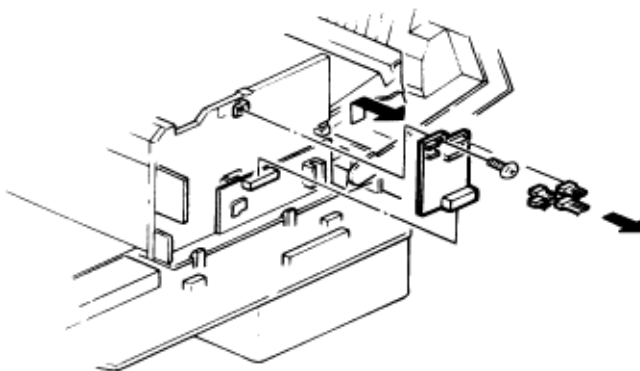
-
1. Remove the scanner assy.
 2. Remove the middle frame.
 3. Remove the inner cover A and inner cover B.
 4. Remove the two connector PCB 1 mounting screws and remove the connector PCB 1.
 5. Remove the two connector PCB 2 mounting screws and remove the connector PCB 2.



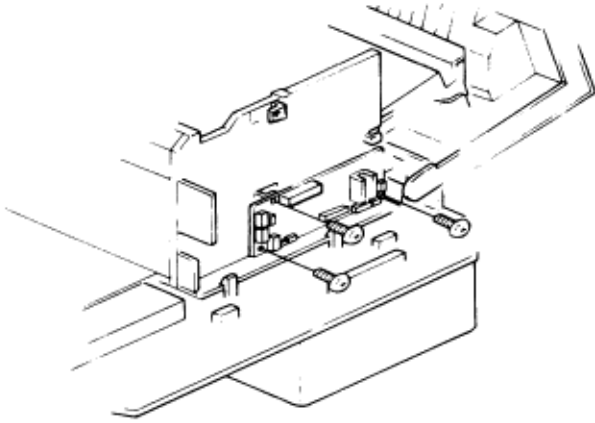
1. Remove the scanner assy.
2. Remove the middle frame.
3. Open the Printer Cover.
4. Remove the two rear PCB cover mounting screws and remove the rear PCB cover.
5. Remove the five rear frame mounting screws and remove the rear frame.



6. Remove the printer I/F PCB mounting screw, disconnect the two connectors, and remove the printer I/F PCB.

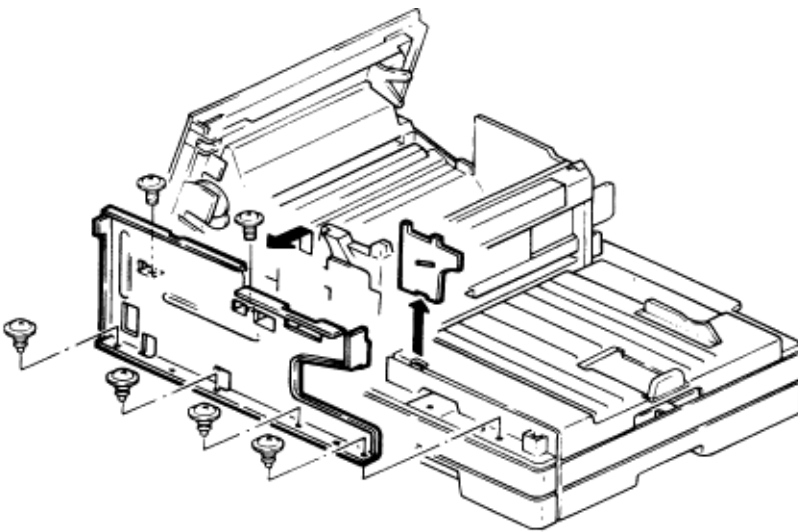


7. Remove the three printer mechanical controller pcb mounting screws, disconnect the twelve connectors and remove the mechanical controller.

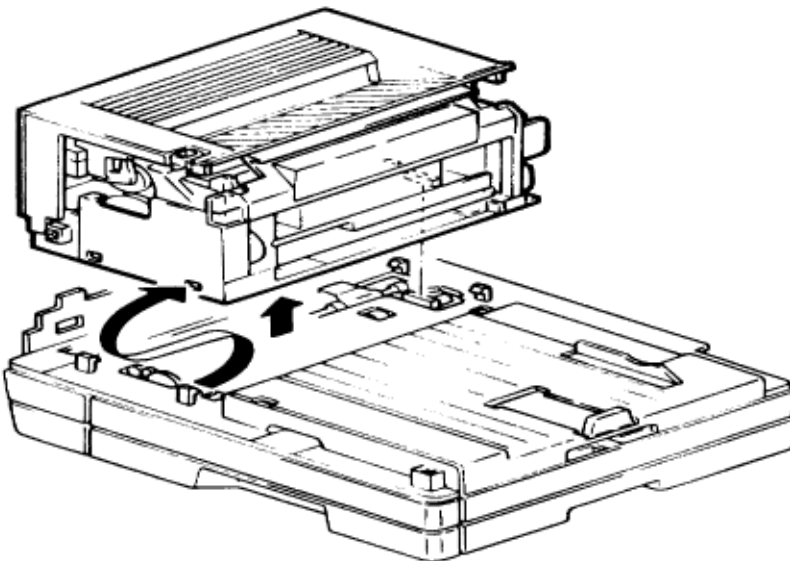


Copyright 1997, Okidata, Division of OKI America, Inc. All rights reserved. See the OKIDATA Business Partner Exchange (BPX) for any updates to this material. (<http://bpx.okidata.com>)

1. Remove the scanner assy.
2. Remove the middle frame.
3. Remove the rear PCB cover.
4. Remove the six front frame mounting screws and remove the front frame.

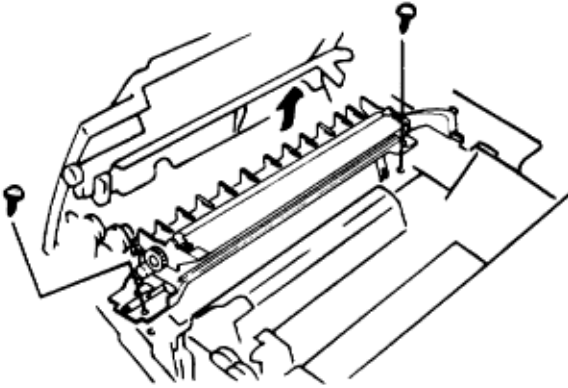


5. Release the four locking tabs and remove the printer unit.

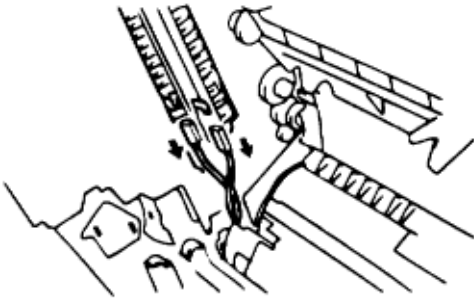


Copyright 1997, Okidata, Division of OKI America, Inc. All rights reserved. See the OKIDATA Business Partner Exchange (BPX) for any updates to this material. (<http://bpx.okidata.com>)

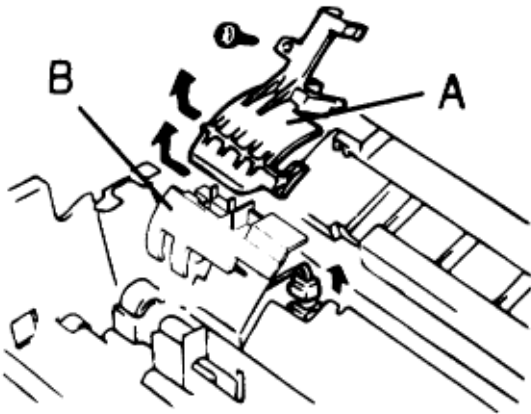
-
1. Open the printer cover.
 2. Remove harness cover A (see section 5.20)
 3. Remove the two image transfer unit mounting screws.



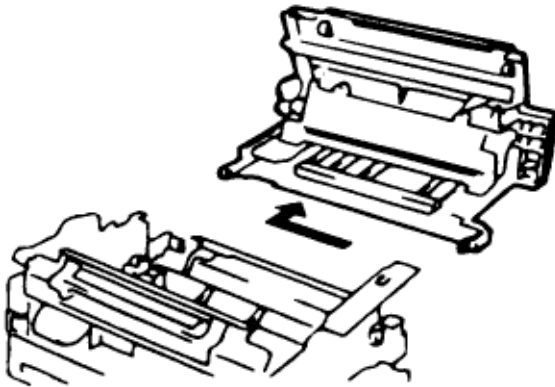
4. Disconnect the two connectors.
5. Remove the image transfer unit.



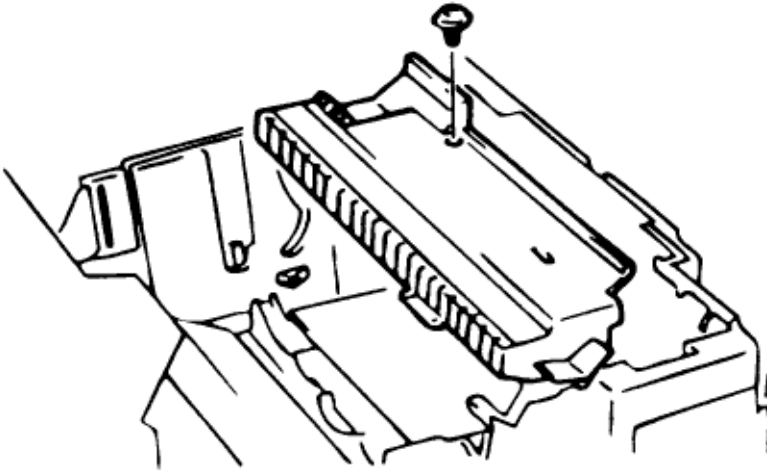
1. Open the printer cover.
2. Remove the toner cartridge and the drum cartridge.
3. Remove the harness cover A mounting screw and remove harness cover A.
4. Remove the harness cover B mounting screw and disconnect the connector (CN1) of PWB-F, then remove the harness cover B.



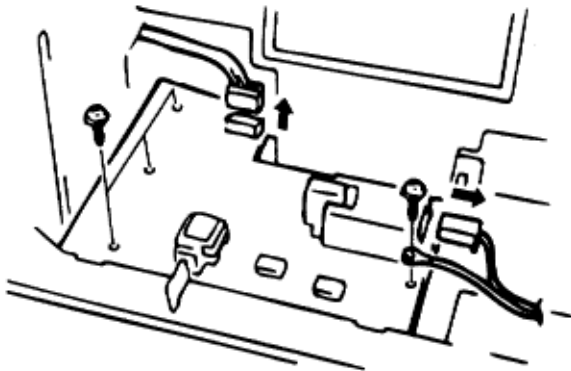
5. Remove the image transfer unit.
6. Slide and remove the printer cover.



-
1. Open the printer cover
 2. Remove the PWB-F cover mounting screw, release the three tabs, and remove the PWB-F cover.



3. Remove the four PWB-F mounting screws and disconnect the two connectors.
4. Remove the PWB-F.





Service Manual for OF5800

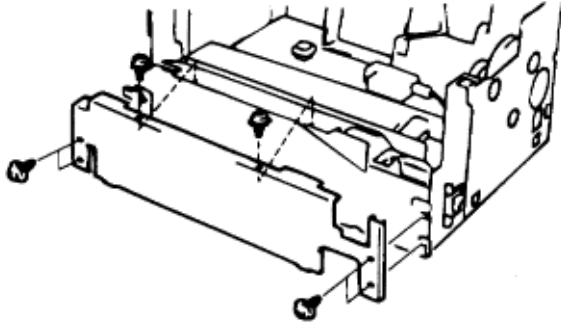
Chapter 5 Disassembly

Page: 192

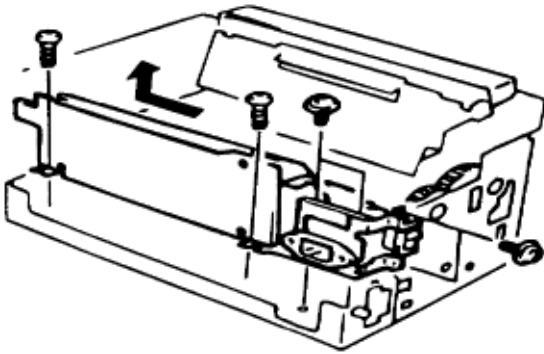
-
1. Open the printer cover.
 2. Remove the high voltage unit cover.
 3. Disconnect the connector.
 4. Remove the paper sensor (PS).
-

Copyright 1997, Okidata, Division of OKI America, Inc. All rights reserved. See the OKIDATA Business Partner Exchange (BPX) for any updates to this material. (<http://bpx.okidata.com>)

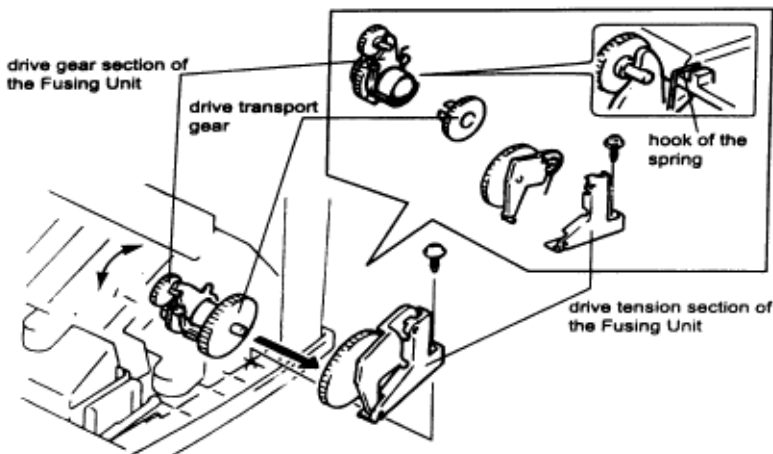
-
1. Remove the printer cover.
 2. Remove the six PWB-E cover mounting screws and the earth wire.



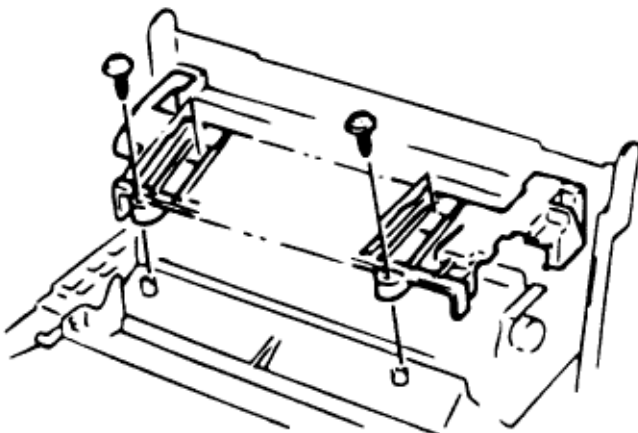
3. Remove the six PWB-E mounting screws and remove PWB-E.



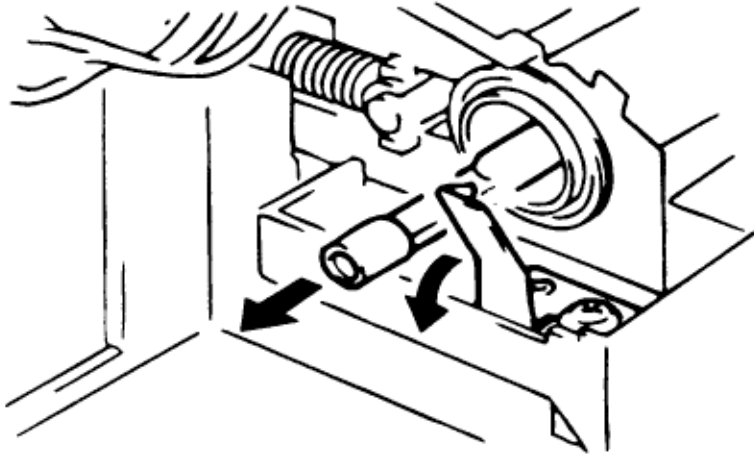
1. Remove the printer cover.
2. Remove the image transfer unit.
3. Remove the drive tension section of the fusing unit mounting screw.
4. Remove the transport gear.
5. Release the spring and remove the drive gear section of the fusing unit.



6. Remove the four fusing guide plate mounting screws.



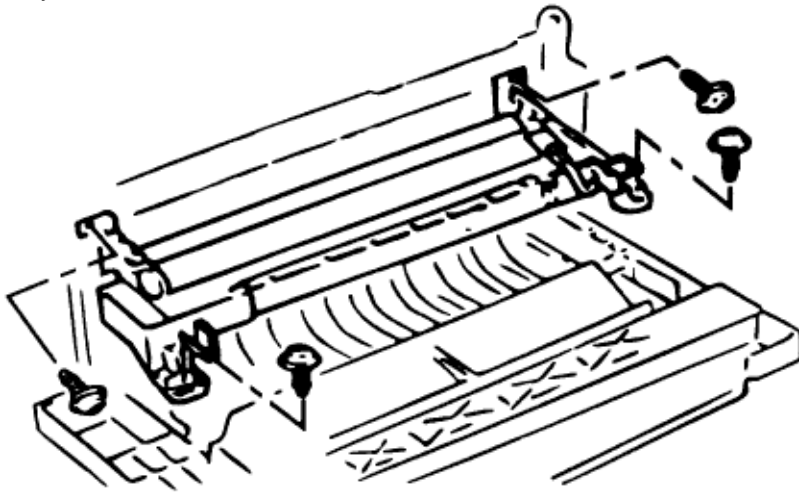
7. Pull the heater lamp out of the lamp holder from the left side.



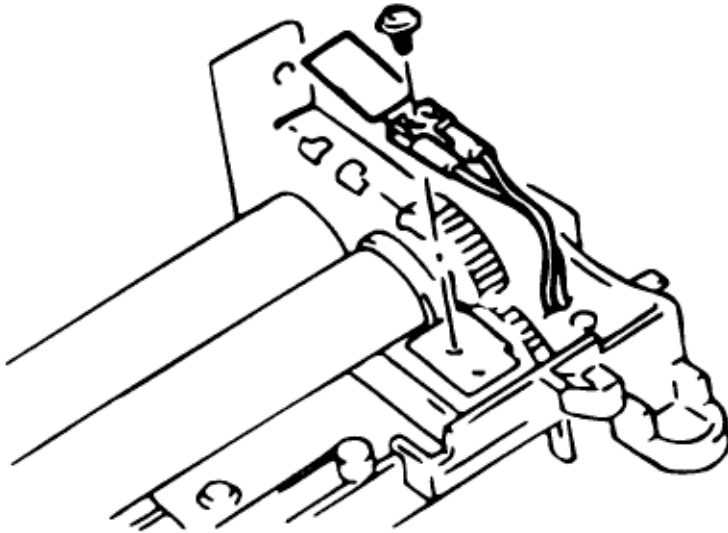
Copyright 1997, Okidata, Division of OKI America, Inc. All rights reserved. See the OKIDATA Business Partner Exchange (BPX) for any updates to this material. (<http://bpx.okidata.com>)

-
1. Remove the printer cover unit.
 2. Remove the image transfer unit.
 3. Remove the drive tension section of the fusing unit.
 4. Remove the transport gear.
 5. Release the spring and remove the drive gear section of the fusing unit.
 6. Remove the fusing guide plate.
 7. Remove the four fusing unit mounting screws and remove the fusing unit.

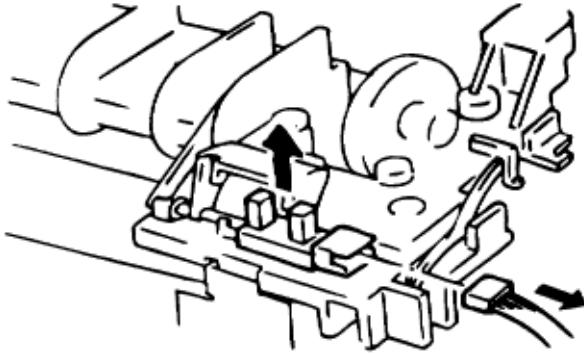
NOTE: On re-assembly, route the white wire over the blue wire or the fusing guide plate will not mount correctly.



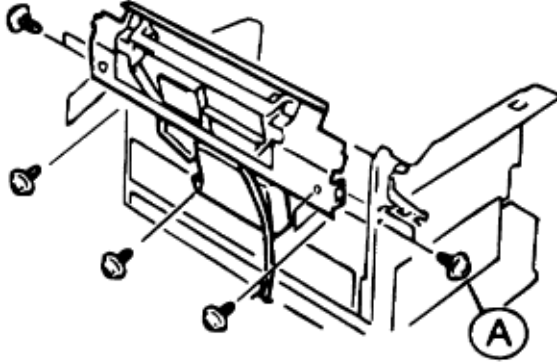
-
1. Remove the printer cover unit.
 2. Remove image transfer unit.
 3. Remove the drive tension section of the fusing.
 4. Remove the transport gear.
 5. Release the spring and remove the drive gear section of the fusing unit.
 6. Remove the fusing guide plate.
 7. Remove the fusing unit.
 8. Remove the thermistor mounting screw and remove the thermistor.



-
1. Remove the printer cover.
 2. Remove the image transfer unit.
 3. Remove the drive tension section of the fusing unit.
 4. Remove the transport gear.
 5. Release the spring and remove the drive gear section of the fusing unit.
 6. Remove the fusing guide plate.
 7. Remove the fusing unit.
 8. Disconnect the connector and remove the paper exit sensor.

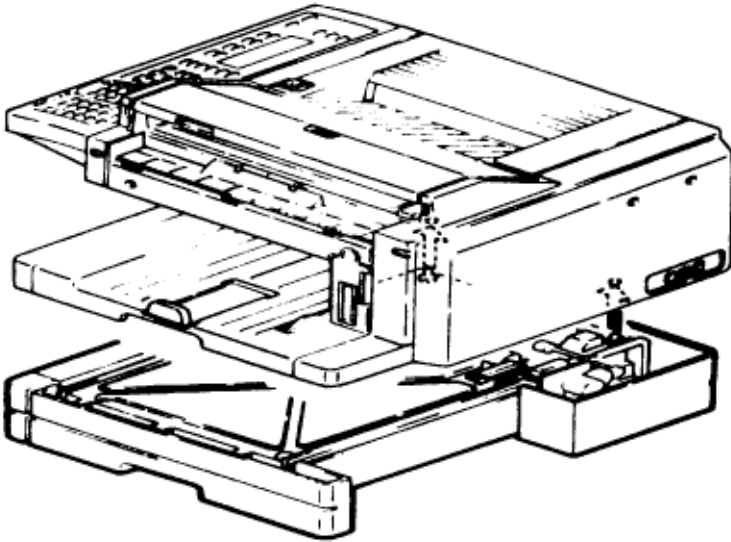


-
1. Open the printer cover.
 2. Remove the seven print head mounting screws and remove the print head unit.

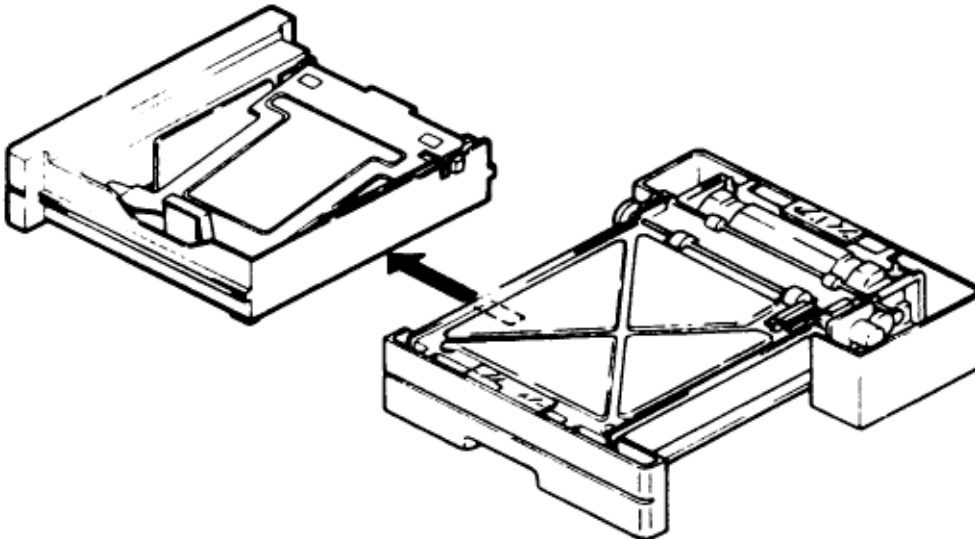


Copyright 1997, Okidata, Division of OKI America, Inc. All rights reserved. See the OKIDATA Business Partner Exchange (BPX) for any updates to this material. (<http://bpx.okidata.com>)

1. Remove the cassette unit.

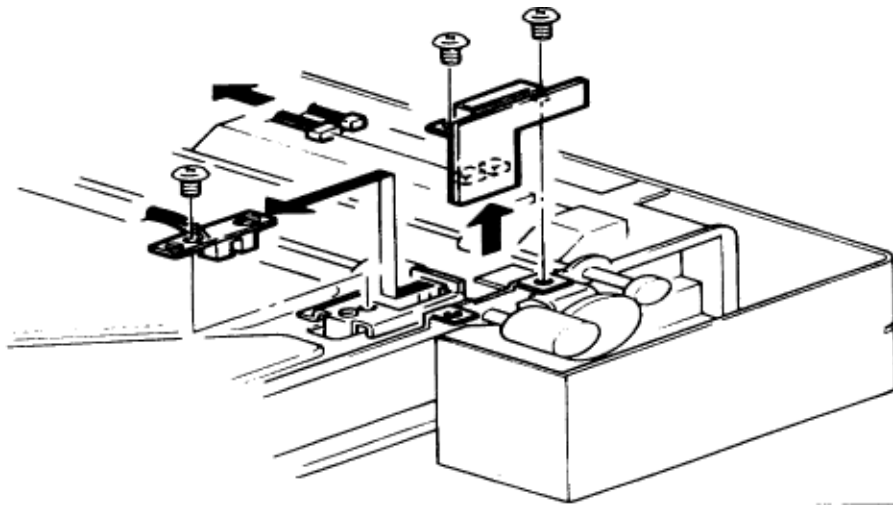


2. Remove the cassette.



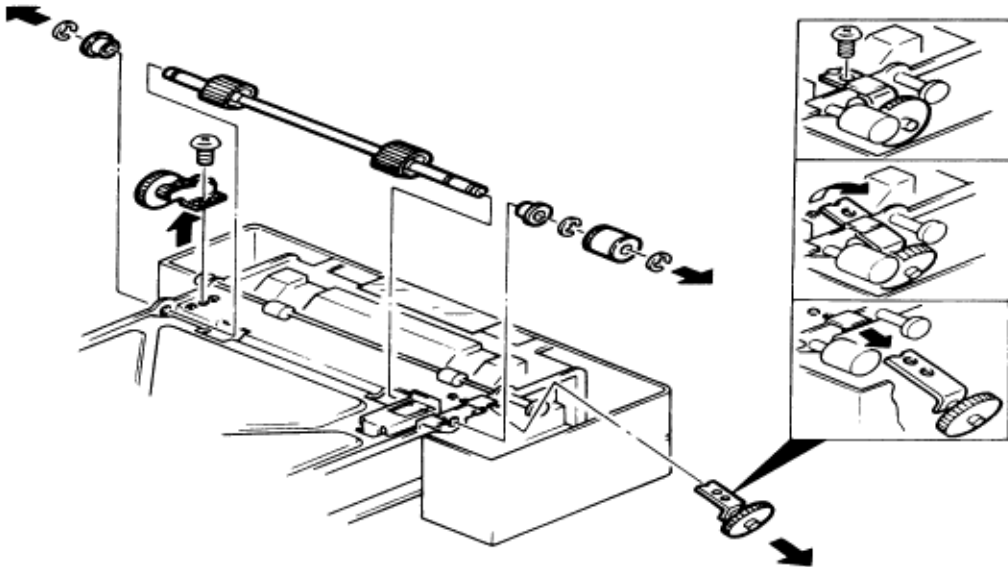
3. Remove the two cassette PCB mounting screws, disconnect the connector, and remove the cassette PCB.

4. Remove the PS/cassette sensor mounting the screw and remove the PS/cassette sensor.

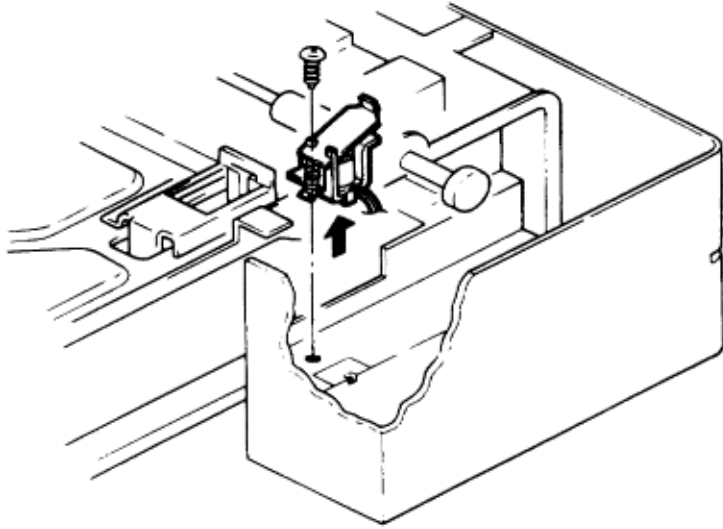


Copyright 1997, Okidata, Division of OKI America, Inc. All rights reserved. See the OKIDATA Business Partner Exchange (BPX) for any updates to this material. (<http://bpx.okidata.com>)

1. Remove the cassette unit.
2. Remove the cassette.
3. Remove the gear frame F mounting screw and remove the gear frame F.
4. Remove the gear frame R mounting screw and remove the gear frame R.
5. Remove the E-ring and remove the clutch assembly and pickup roller W.

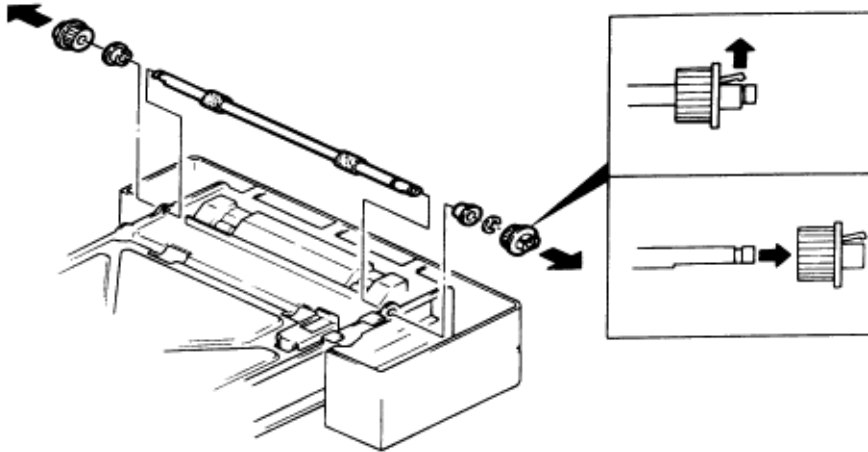


6. Remove the solenoid mounting screw and remove the solenoid.

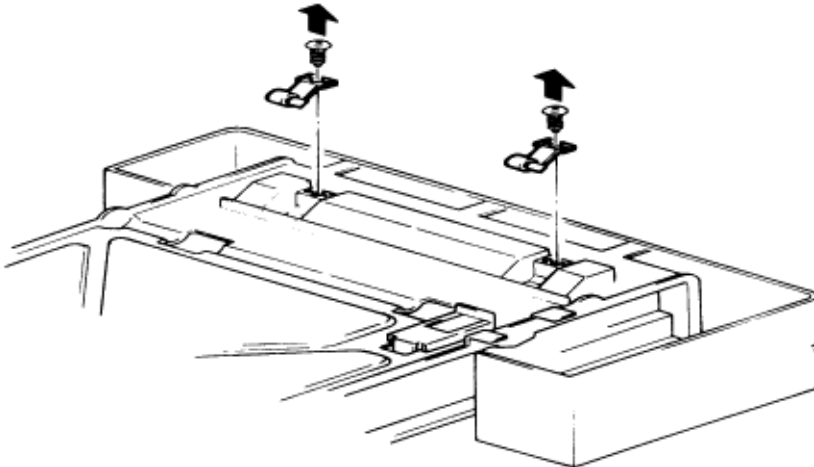


Copyright 1997, Okidata, Division of OKI America, Inc. All rights reserved. See the OKIDATA Business Partner Exchange (BPX) for any updates to this material. (<http://bpx.okidata.com>)

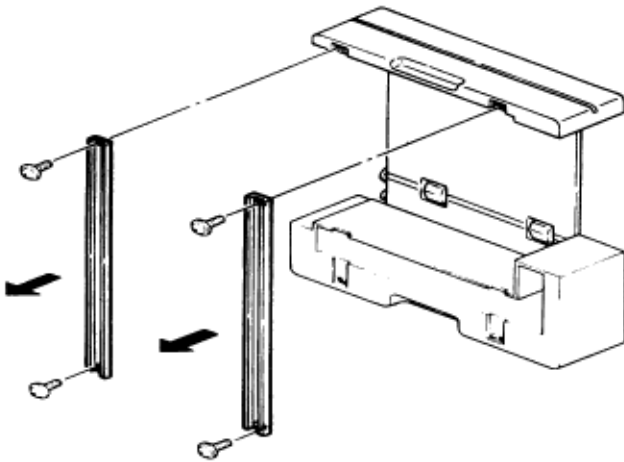
1. Remove the cassette unit.
2. Remove the cassette.
3. Release the feed gear locking tabs and remove the feed gear.
4. Remove the E-ring and bearings and remove the feed roller.



5. Remove the press roller w mounting screw and remove the press roller.



1. Remove the cassette unit.
2. Remove the cassette.
3. Remove the two bottom stay mounting screws and remove the bottom stay.



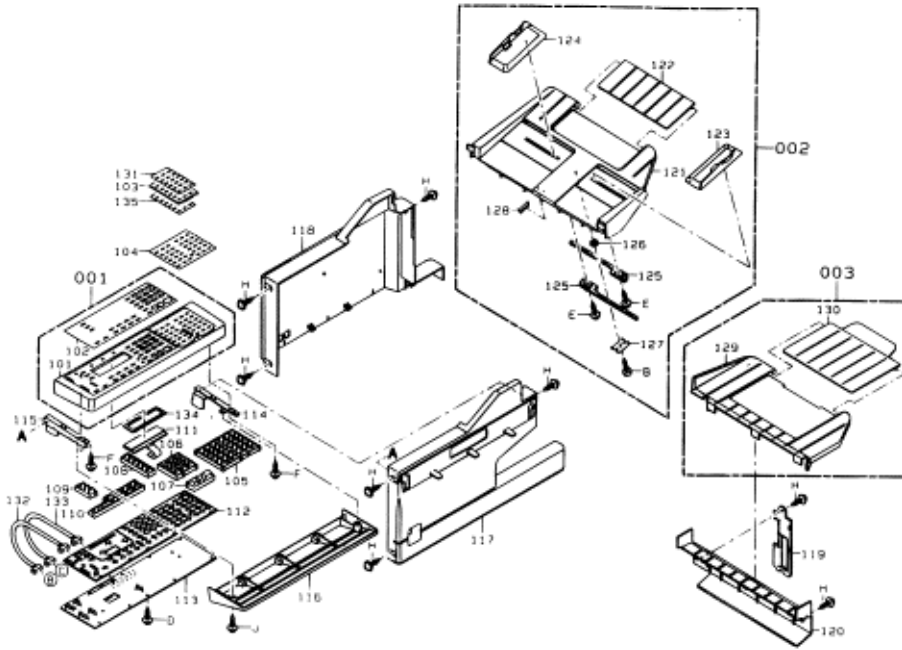


Service Manual for OF5800

Chapter 6 Illustrated Parts List

Illustrated Part List 1:	Panel/Cover/Hopper
Illustrated Part List 2A (1/3):	Transmission
Illustrated Part List 2B (2/3):	Transmission
Illustrated Part List 2C (3/3):	Transmission
Illustrated Part List 3:	Scanner Frame
Illustrated Part List 4:	Bottom Chassis
Illustrated Part List 5:	Cassette
Illustrated Part List 6:	Power Supply
Illustrated Part List 7:	Housing
Illustrated Part List 8A (1 of 2):	Drive/Paper Take-Up Section 1
Illustrated Part List 8B (2 of 2):	Drive/Paper Take-Up Section 1
Illustrated Part List 9:	Paper Take-Up Section 2
Illustrated Part List 10:	Transfer Unit
Illustrated Part List 11:	Fusing Unit
Illustrated Part List 12:	Options
Illustrated Part List 13:	Consumables
Illustrated Part List 14:	Accessories
Illustrated Part List 15:	Packaging
Illustrated Part List 16:	Documentation: User's
Illustrated Part List 17:	Documentation: Service
Illustrated Part List 18:	Whole Product

Copyright 1997, Okidata, Division of OKI America, Inc. All rights reserved. See the OKIDATA Business Partner Exchange (BPX) for any updates to this material. (<http://bpx.okidata.com>)

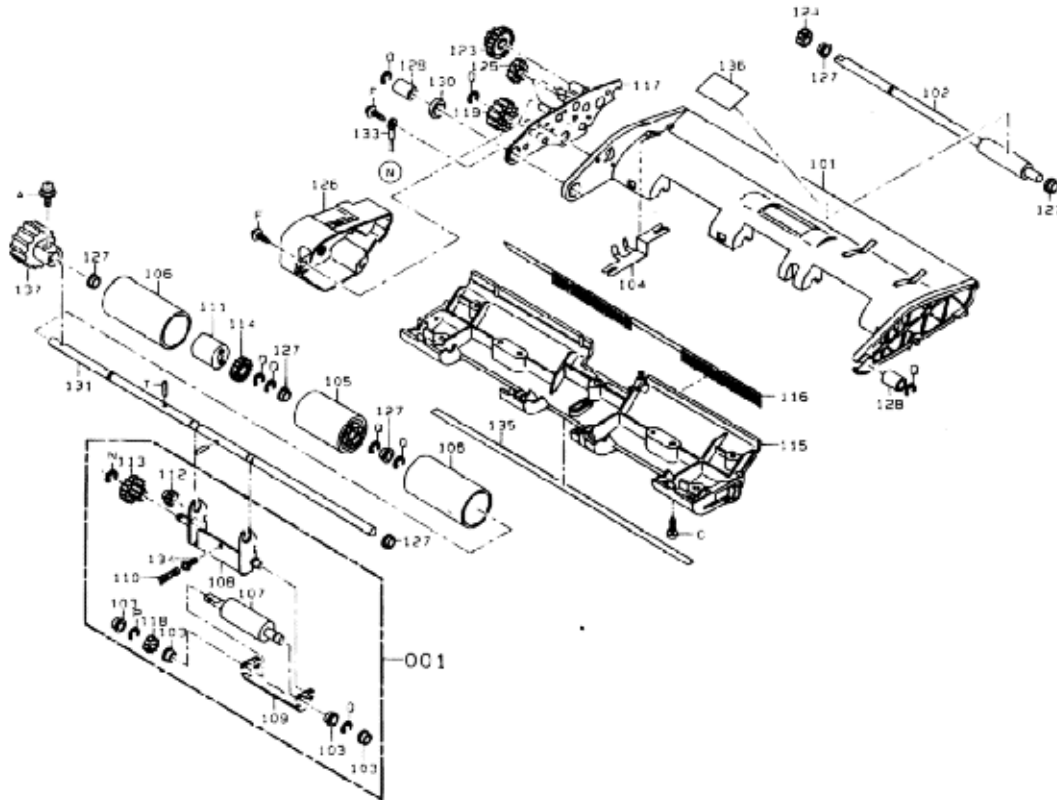


@ PICTURES AT TOP OF SECTIONS

Item No.	OKIDATA P/N	REFERENCE P/N	DESCRIPTION	RSPL
001-001	53078401	D65A306C4X	ASSY PANEL COVER	RSPL
001/F150		D65A306C40F	ASSY PANEL COVER	
2	55700601	D65A327C4X	ASSY DOCUMENT HOPPER	RSPL
003	50223801	D65A330C5X	ASSY DOCUMENT TRAY	RSPL
101		D650306C5X	PANEL COVER	
102		D65032405X	OVERLAY	
103	53078101	D650307C6X	ONE-TOUCH PANEL	RSPL
104	53079301	D65032505X	ONE-TOUCH SHEET	RSPL
105		D650310C6X	ONE-TOUCH KEY	
106		D490437B5X	KEY PAD	
107		D490438B5X	OPERATION KEY	
108		D490436B6X	FUNCTION KEY	
109		D650308C6X	OPERATION KEY A	
110		D650309C6X	OPERATION KEY B	
111	55626401	Z902637850	LCD DISPLAY	RSPL
112		D65032606X	RUBBER CONTACT	
113	55082301	D65080205XX	PCB: PANEL	RSPL
114		D65032206X	PANEL BRACKET R	
115		D65032306X	PANEL BRACKET L	

116	53079201	D650317C6X	PANEL LOWER COVER	RSPL
117	53079001	D650302C6X	FRONT COVER	RSPL
118	53078501	D650303C6X	REAR COVER	RSPL
119	53078301	D650311C6X	O.P. COVER	RSPL
120	53079101	D650332C6X	SCANNER FRONT COVER	RSPL
121		D650327C5X	DOCUMENT HOPPER A	
122		D650328C6X	DOCUMENT HOPPER B	
123		D650334C6X	DOCUMENT GUIDE R	
124		D650335C6X	DOCUMENT GUIDE L	
125		D22031006X	GUIDE RACK	
126		D22030906X	GUIDE PULLEY	
127		D65032906X	PINION COVER	
128		D65016206X	BRUSH C	
129		D650330C6X	DOCUMENT TRAY A	
130		D650331C6X	DOCUMENT TRAY B	
131	52095501	D65033705X	ONE-TOUCH LABEL	RSPL
132		D65083204XX	CBL-ASSY MAIN-PANEL 1	
133		D65084205XX	CBL-ASSY MAIN-PANEL 2	
134		D65033906X	LCD DUST COVER	
135	52095502	D65033705XA	ONE-TOUCH LABEL	RSPL

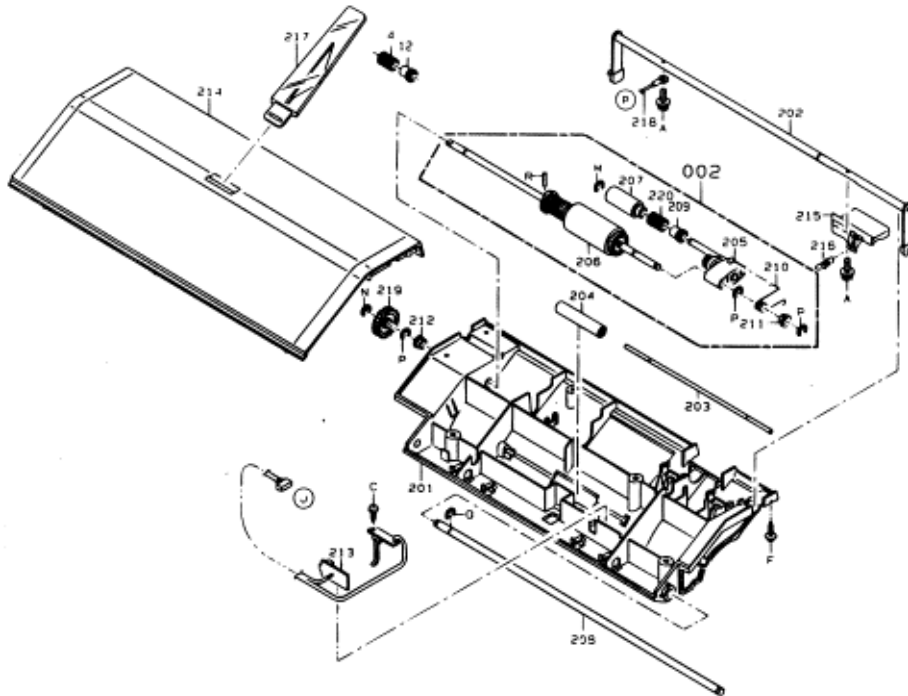
Copyright 1997, Okidata, Division of OKI America, Inc. All rights reserved. See the OKIDATA Business Partner Exchange (BPX) for any updates to this material. (<http://bpx.okidata.com>)



Item No.	OKIDATA P/N	REFERENCE P/N	DESCRIPTION	RSPL
002-001	50411801	D65A10904X	ASSY RETARD ROLLER	RSPL
002	50411901	D65014904X	ASSY SEPARATOR ROLLER	RSPL
101		D650105H6X	INNER GUIDE A	
101/F150		D65A105050	INNER GUIDE A	
102		D65011006X	EXIT ROLLER	
103		D67012806X	BEARING	
104		D65015906X	EARTH SPRING S	
105	50412001	D65016306X	FEED ROLLER	RSPL
106		D65010806X	SIDE ROLLER	
107		D65010906X	RETARD ROLLER	
108		D65015605X	RETARD BRACKET A	
109		D65015706X	RETARD BRACKET B	
110		D65011206X	RETARD SPRING	
111		ZA10117940	TORQUE LIMITER	

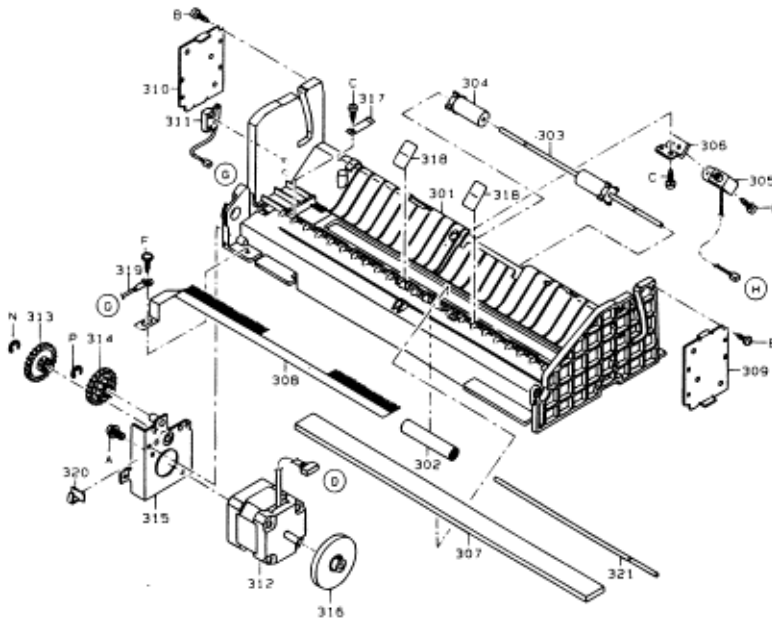
111/F150		Z902766050	TORQUE LIMITER	
112		D65011506X	RETARD GEAR 20T	
113		D65011606X	RETARD GEAR 17/38	
114		D65011706X	RETARD GEAR 32T	
115		D65010606X	INNER GUIDE B	
115/F150		D65A106050	INNER GUIDE B	
116		D65016106X	BRUSH B	
117		D65011805X	INNER FRAME	
118		D67023406X	GEAR 20	
119		D65017006X	GEAR 25	
137		D65017706X	FEED GEAR	
123		D65012906X	GEAR 20/46	
124		D65013106X	EXIT GEAR	
125		D65012806X	GEAR 19	
126		D650126H6X	GEAR COVER	
127		D67012806X	BEARING	
128		D65016506X	HINGE BEARING	
129		D65016606X	A	
130		D65016706X	HINGE SPACER	
131		D65016406X	FEED ROLLER SHAFT	
133		DFGS3S3B5X7	FG(27)	
134		D56019706X	SEPARATOR PIN	
135		D65017506X	BACKGROUND SEAL	
136	52204901	D65017606X	RETARD FILM	RSPL

Copyright 1997, Okidata, Division of OKI America, Inc. All rights reserved. See the OKIDATA Business Partner Exchange (BPX) for any updates to this material. (<http://bpx.okidata.com>)



Item No.	OKIDATA P/N	REFERENCE P/N	DESCRIPTION	RSPL
201		D650134H6X	OUTER GUIDE A	
202		D65015005X	LOCK LEVER SHAFT	
203		D56013606X	PRESS SHAFT	
204		D65016806X	PRESS ROLLER	
205		D56014005X	PICK UP ARM	
206		D65014905X	SEPARATOR ROLLER	
207		D65015406X	PICK UP ROLLER	
210		D65014806X	ARM SPRING	
211		D56018006X	BEARING	
212		D56018006X	BEARING	
213	50412101	D65086504XX	ASSY DS1/DS2	RSPL
214		D650318C6C	TX COVER	
215		D650146H6X	RELEASE LEVER S	
216		D56016706X	LOCK LEVER SPRING	
217	550700501	D650144C6X	PAPER HOPPER	RSPL
218		DFGS3S3B5X7	FG(27)	
219		D65014506X	SEPARATOR GEAR	

Copyright 1997, Okidata, Division of OKI America, Inc. All rights reserved. See the OKIDATA Business Partner Exchange (BPX) for any updates to this material. (<http://bpx.okidata.com>)



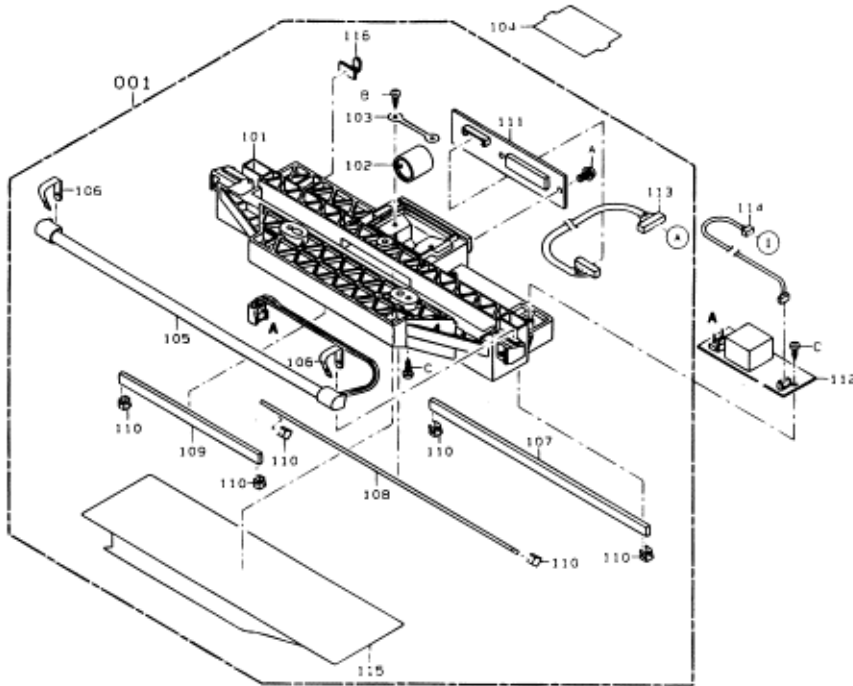
Item No.	OKIDATA P/N	REFERENCE P/N	DESCRIPTION	RSPL
302		D65013506X	OUTER GUIDE B	
302		D65016806X	PRESS ROLLER	
303		D56013606X	PRESS SHAFT	
304		D56019205X	EXIT PRESS ROLLER	
305	50709401	Z901712350	STAMP	RSPL
306		D65015506X	STAMP BRACKET	
307		D65013806X	COVER GLASS	
308		D65016006X	BRUSH A	
309		D65014005X	SUPPORT BRACKET	
310		D65014006X	SUPPORT BRACKET	
311	50412201	D65086304XX	ASSY IL SWITCH	
312		ZA10109110	MOTOR	
313		D65017106X	GEAR 21/59	
314		D65017206X	GEAR 19/53	
315		D65013705X	MOTOR BRACKET	
316		Z902746850	D-ROLLER	
317		D65016906X	GLASS CLAMP	
318		D65017306X	GUIDE SHEET	
319		DEGS3S3B5X4	FG(24)	
320		ZX490000350	CBL - CLAMP	

Copyright 1997, Okidata, Division of OKI America, Inc. All rights reserved. See the OKIDATA Business Partner Exchange (BPX) for any updates to this material. (<http://bpx.okidata.com>)



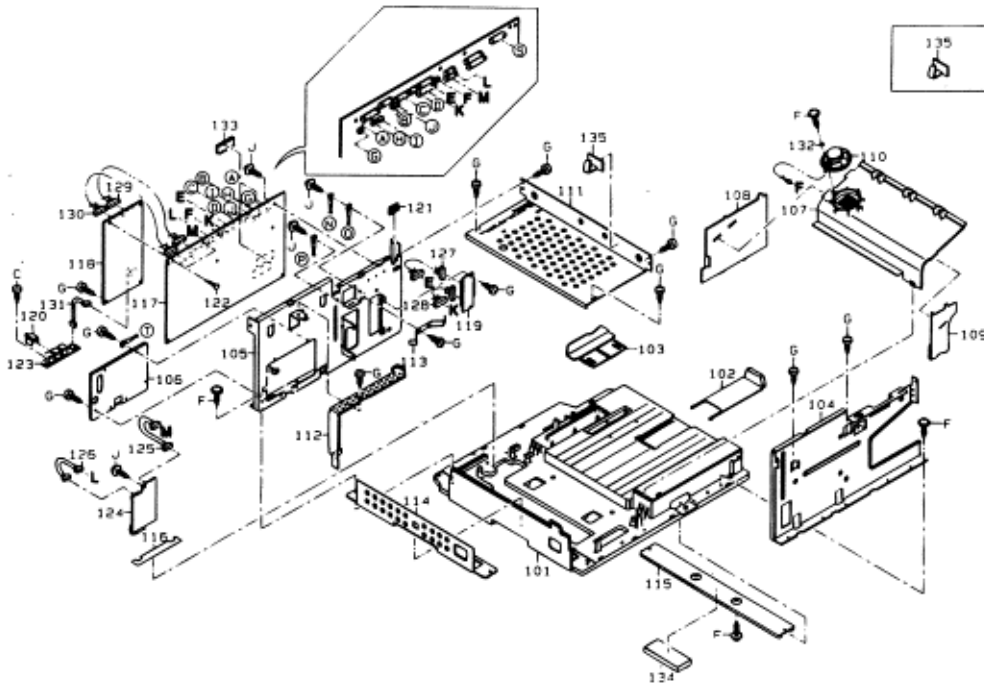
Service Manual for OF5800

Chapter 6 Illustrated Parts List



Item No.	OKIDATA P/N	REFERENCE P/N	DESCRIPTION	RSPL
003-001	53351201	D65A10104X	ASSY SCANNER FRAME	RSPL
101		D65010106X	SCANNER FRAME	
102		Z068616850	LENS	
103		D65010306X	LENS SUPPORTER	
104		D65010406X	LENS COVER	
105	56113701	Z902740850	LAMP	RSPL
106		D65010206X	LAMP CLAMP	
107		D61010206X	MIRROR A	
108	56113801	D63110406X	MIRROR B	RSPL
109		D48010306X	MIRROR C	
110		D48010606X	MIRROR CLAMP	
111	55082401	D65080305XX	PCB CCD	RSPL
112	55626301	D56083105XX	INVERTER	RSPL
113		D65086605XX	CBL - ASSY MAIN - CCD	
114		D65086205XX	CBL - ASSY MAIN - INVERTER	
115	53078201	D65017406X	SCANNER COVER	RSPL
116		ZX49000035	CBL - CLAMP	

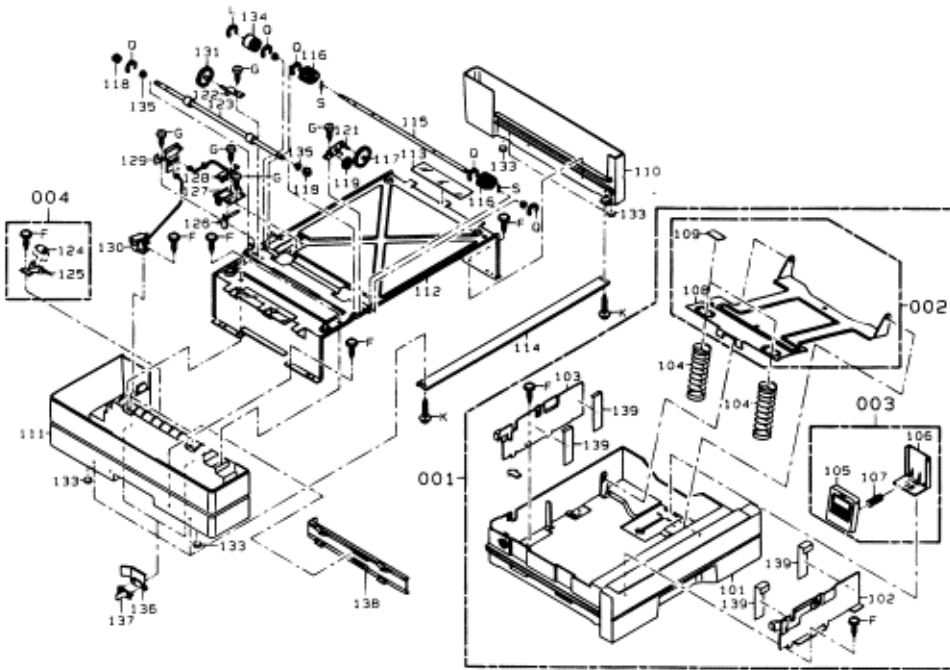
Copyright 1997, Okidata, Division of OKI America, Inc. All rights reserved. See the OKIDATA Business Partner Exchange (BPX) for any updates to this material. (<http://bpx.okidata.com>)



Item No.	OKIDATA P/N	REFERENCE P/N	DESCRIPTION	RSPL
004-101		D650301C6X	BOTTOM CHASSIS	
102		D650313C6X	END GUIDE	
103		D650314C5X	SIDE GUIDE	
104		D65000105X	FRONT FRAME	
105		D65000206X	REAR FRAME	
106		D65000506X	MECHANICAL CONTROL COVER	
107		D650319C6X	INNER COVER A	
108		D650320C6X	INNER COVER B	
109		D650321C6X	INNER COVER C	
110		D65086704XX	ASSY SPEAKER	
111		D65000306X	MIDDLE FRAME	
112		D65000406X	REAR PCB COVER	
113		D65000706X	EARTH SPRING	
114		D65031506X	ANGLE A	
115		D65031606X	ANGLE B	
116		D65033806X	BOTTOM FILM	
117	55082201	D65080105XX	PCB MAIN	RSPL
117/F150		D650801250	PCB MAIN	
118	55082501	D65080405XX	PCB NCU	RSPL

118/F15 0		D650821050	PCB NCU	
119		D65081605XX	PCB CONNECT 1	
120		D13032006X	MODULAR JACK COVER	
121		Z068665710	CBL - CLAMP EDS - 1208U	
122		Z066863010	SPACER KGLS18RT	
123	55083001	D49087105XX	PCB MODULAR	RSPL
124	55082601	D65080505XX	PCB PRINTER I/F	RSPL
125		D65083504XX	CBL - ASSY MAIN - I/F2	
126		D65084504XX	CBL - ASSY MAIN - I/F2	
127		D65083604XX	CBL - ASSY MAIN - 232C 1	
128		D65084604XX	CBL - ASSY MAIN - 232C 2	
129		D65083405XX	CBL - ASSY MAIN - NCU1	
129/F15 0		D650843050	CBL - ASSY MAIN NCU 1	
130		D65084405XX	CBL - ASSY MAIN - NCU2	
131		D65086805XX	CBL - ASSY NCU - MODULAR	
132		D48031106X	SPEAKER WASHER	
133		ZA100494840	IC (MEMORY)	
134		Z068801240	GASKET	
Not Shown		D700802050	MODEM PCB ISO (F-150)	
Not Shown		D650861050	CBC ASSY MODEM (F150)	

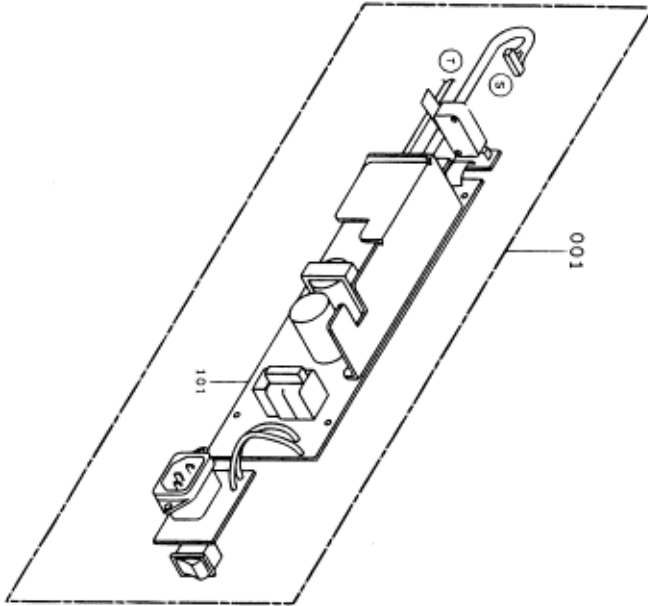
Copyright 1997, Okidata, Division of OKI America, Inc. All rights reserved. See the OKIDATA Business Partner Exchange (BPX) for any updates to this material. (<http://bpx.okidata.com>)



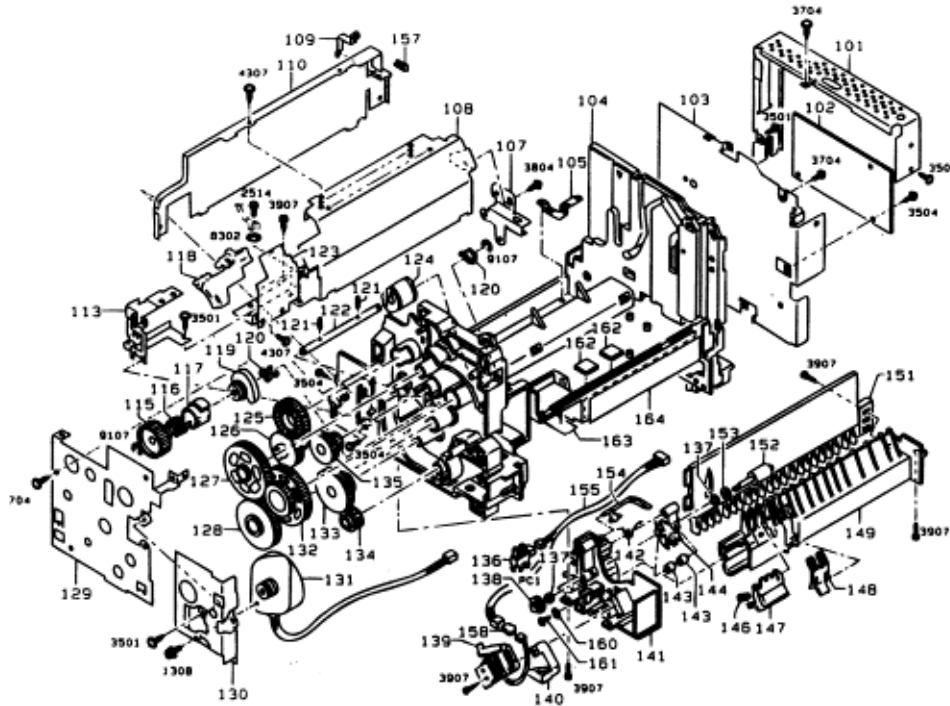
Item No.	OKIDATA P/N	REFERENCE P/N	DESCRIPTION	RSPL
005-001	50117901	D65A402C4X	ASSY CASSETTE	RSPL
002		D65A40805X	ASSY FLAPPER	
003	51025001	D65A428H5X	ASSY END GUIDE	RSPL
004		D65A43005X	ASSY PRESS ROLLER W	
101		D650402C6X	CASSETTE	
102		D65040905X	SIDE GUIDE F	
103		D65041005X	SIDE GUIDE R	
104		D65043306X	FLAPPER SPRING	
105		D650428H6X	END GUIDE U	
106		D650429H6X	ENG GUIDE L	
107		D65043206X	END GUIDE SPIRNG	
108		D65040806X	FLAPPER	
109		D63210406X	PAD	
110	53078901	D650403C6X	CASSETTE SIDE COVER R	RSPL
111	53078801	D650404C6X	CASSETTE SIDE COVER L	RSPL
112		D65040605X	CASSSETTE FRAME	
113		D65040505XA	BLIND SHEET	
114		D65043906X	FRAME STAY	
115		D65041606X	PICK UP SHAFT W	
116	50412401	D65041506X	PICK UP ROLLER W	RSPL
117	51239701	D65041906X	GEAR 13/45	RSPL

118	51240101	D65042206X	FEED GEAR W	RSPL
119	51239801	D65042006X	GEAR 23	RSPL
121	53351101	D65041705X	GEAR FRAME F	RSPL
122		D65041805X	GEAR FRAME R	
123	50412601	D65041406X	FEED ROLLER W	RSPL
124		D65043006X	PRESS ROLLER W	
125		D65043106X	PRESS SPRING W	
126		D65042606X	FEELER	
127		D65042706X	FEELER BRACKET	
128	50412301	D65081804XX	ASSY PS SENSOR	RSPL
129	55082701	D65080805XX	PCB CASSETTE USA	RSPL
130		Z902639350	SLND TDS-F08G	
131	51240001	D65042106X	GEAR 41	RSPL
132		D48031106X	SPEAKER WASHER	
133		D02001006X	FOOT	
134	51239901	D65042305X	CLUTCH GEAR	RSPL
135		D67012806X	BEARING D6	
136		D65044006X	PUSH SPRING	
137		D65044106X	SPRING HOLDER	
138		D65044206X	SLIDE PLATE	
139		D65044306X	SIDE GUIDE SPACER R	
140		D65044406X	SIDE GUIDE SPACER F	

Copyright 1997, Okidata, Division of OKI America, Inc. All rights reserved. See the OKIDATA Business Partner Exchange (BPX) for any updates to this material. (<http://bpx.okidata.com>)



ITEM NO.	OKIDATA P/N	REFERENCE P/N	DESCRIPTION	RSPL
006-001	56416501	D65060012X	POWER SUPPLY ASSY	RSPL



Item No.	OKIDATA P/N	REFERENCE P/N	DESCRIPTION	RSPL
022-101		D65100706X	BRACKET	
102		D65180205XX	PW BOARD-A	
103		D65100806X	RIGHT FRAME	
104		D65100906X	BASE	
105		D65101006X	GROUND PLATE	
107		D65101106X	PLATE NUT	
108		D65101206X	FRAME	
109		D65101306X	GROUND PLATE	
110		D65101406X	REAR FRAME	
113		D65101506X	BRACKET	
115		D65101606X	GEAR 40T	
116		D65101706X	CLUTCH SPRING	
117		D65101806X	HOLDER	
118		D65101906X	COVER	
119		D65102006X	2 CAM	
120		D65102106X	BUSHING	
121		D65102206X	PIN	
122		D65102306X	SHAFT	
123		D65102406X	FRAME	
124	50412501	D65102506X	ROLLER	RSPL
125		D65102606X	GEAR 50T	

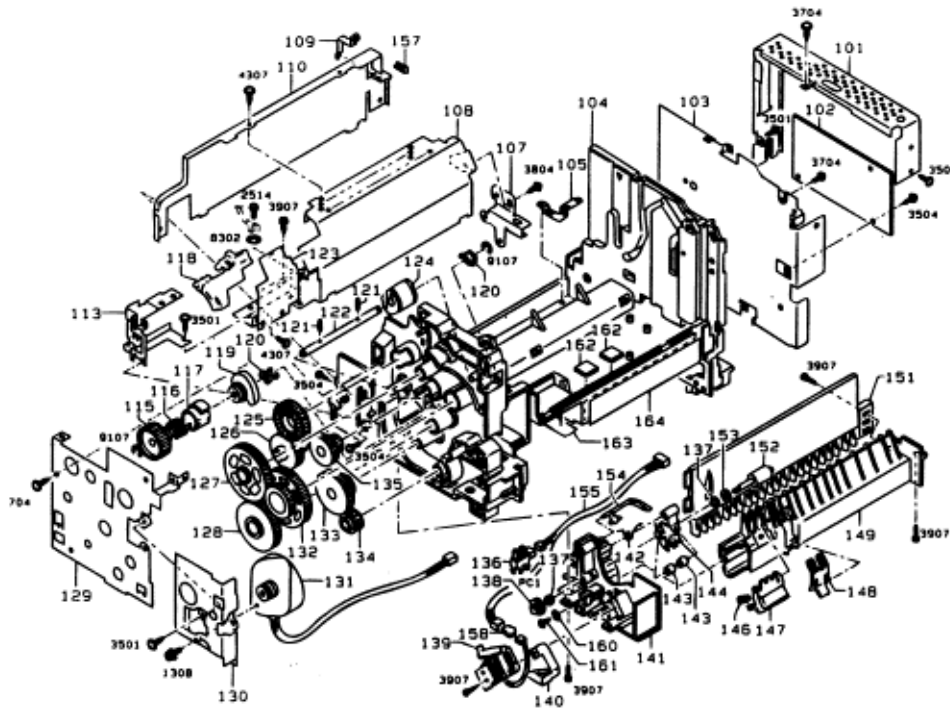
126		D65102706X	1 GEAR 22/45T	
127		D65102806X	GEAR 25/72T	
128		D65102906X	GEAR 29/65T	
129		D65103006X	LEFT FRAME	
130		D65103106X	HEAT-SINK	
131		D65180305XX	MOTOR	
132		D65103206X	GEAR 44/109T	
133		D65103306X	GEAR 22/57T	
134		D65103406X	GEAR 29T	
135		D65103506X	GEAR 20/41T	
136		D65180405XX	PHOTO INTERRUPTER	
137		D65103606X	BUSHING	
138		D6510306X	GEAR 16T	
139	56514001	D65180505XX	SOLENOID	RSPL
140		D65103806X	GROUND PLATE	
141		D65103906X	HOLDER	
142		D65104006X	TENSION SPRING	
143		D65104106X	ROLL	
144		D65104206X	HOLDER	
146	50932401	D65104306X	PRESSURE SPRING	RSPL
147	53351001	D65104406X	SEPARATOR	RSPL
148	50608301	D65104506X	STOPPER	RSPL
149		D65104606X	GUIDE	
151		D65104706X	GUIDE	
152		D65104806X	ROLLER	
153		D65104906X	WASHER	
154		D65105006X	ACTUATOR	
155		D65180605XX	HARNESS	

Copyright 1997, Okidata, Division of OKI America, Inc. All rights reserved. See the OKIDATA Business Partner Exchange (BPX) for any updates to this material. (<http://bpx.okidata.com>)



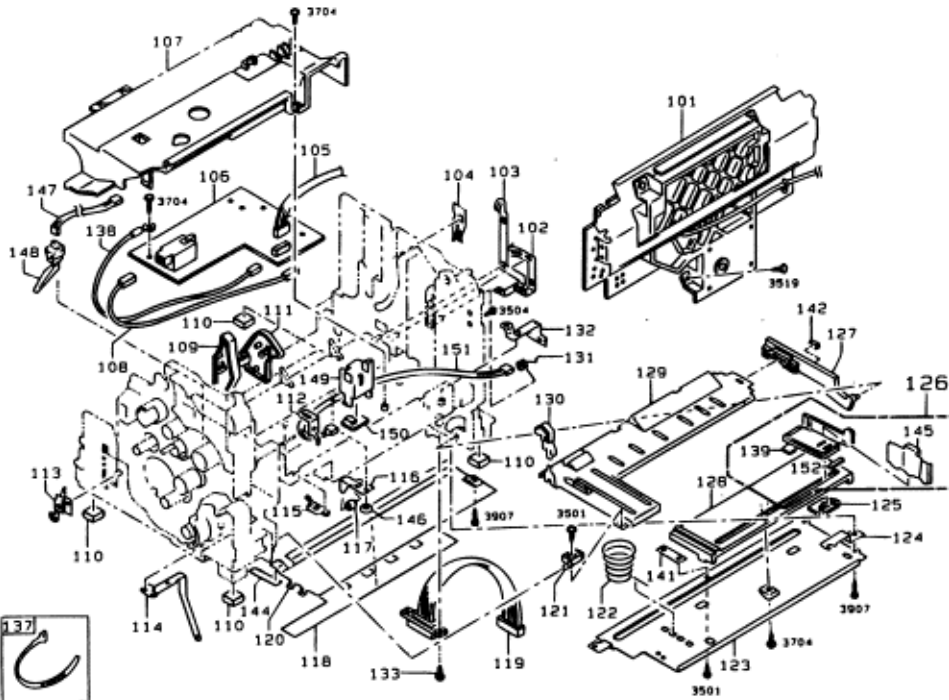
Service Manual for OF5800

Chapter 6 Illustrated Parts List



Item No.	OKIDATA P/N	REFERENCE P/N	DESCRIPTION	RSPL
157		D65105106X	EDGE COVER	
158		D65180705XX	CONNECTOR	
160		D65105206X	WASHER	
161		D65105306X	SHOULDER SCREW	
162		D65105406X	RUBBER FOOT	
163		D65105506X	SEAL	
164		D65105606X	LABEL	

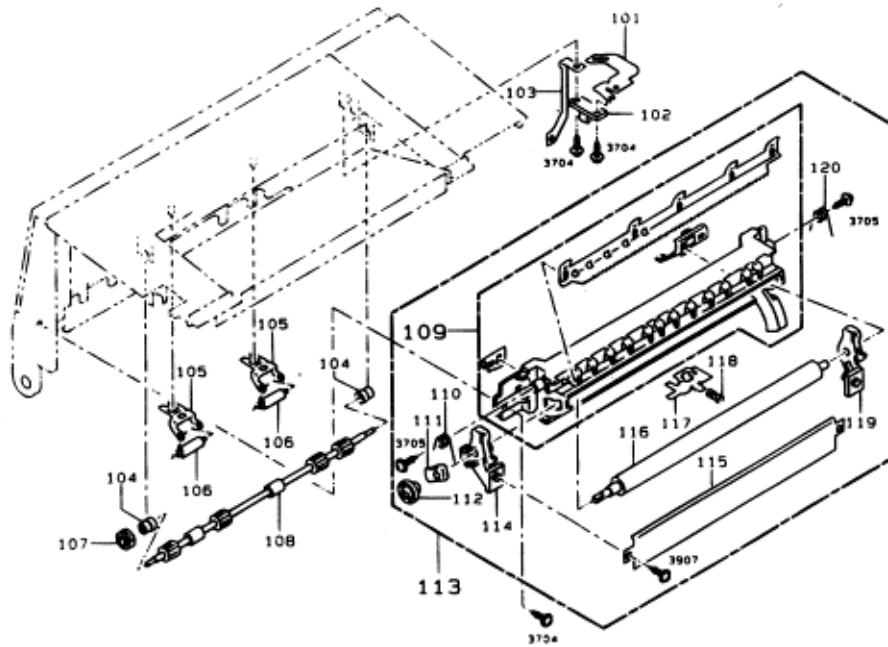
Copyright 1997, Okidata, Division of OKI America, Inc. All rights reserved. See the OKIDATA Business Partner Exchange (BPX) for any updates to this material. (<http://bpx.okidata.com>)



Item No.	OKIDATA P/N	REFERENCE P/N	DESCRIPTION	RSPL
023-001	50223701	D65105706X	PRINT HEAD UNIT	RSPL
102		D65105806X	TERMINAL	
103		D65105906X	TERMINAL	
104		D65106006X	TERMINAL	
105		D65180805XX	HARNESS	
106		D65180905XX	PWB - HV (WITH IC)	
107		D65106106X	COVER	
108		D65181005XX	HARNESS	
109		D65106206X	GUIDE	
110		D65106306X	RUBBER FOOT	
111		D65106406X	GUIDE	
112		D65106506X	BRACKET	
113		D65106606X	PLATE SPRING	
114		D65106706X	2 PLATE SPRING	
115		D65106806X	PLATE SPRING	
116		D65106906X	HOLDER	
117		D65107006X	ROLLER	
118		D65107106X	SHEET	
119		D65181105XX	HARNESS	
120		D65107206X	GUIDE PLATE	
121		D65107306X	SUPPORT	

122		D65107406X	PRESSURE SPRING	
123		D65107506X	HOLDER	
124		D65107606X	GROUND PLATE	
125		D65107706X	SPACER	
126		D65107806X	REGULATING PLATE	
127		D65107906X	LEVER	
128		D65108006X	COVER	
129		D65108106X	LIFTING PLATE	
130		D65108206X	CAM	
131		D65108306X	TENSION SPRING	
132		D65108406X	GROUND PLATE	
133		D65108506X	SHOULDER SCREW	
137		D65108606X	CABLE TIE 104L	
138		D65181205XX	HARNESS	
139		D65108706X	FRICTION SHEET	
140		D65108806X	PLATE	
141		D65108906X	SPONGE	
142		D65109006X	POLYESTER FILM	
144		D65109106X	REGULATING PLATE	
145		D65109206X	C-RING	
146		D65181305XX	HARNESS	
147		D65181405XX	PHOTO INTERRUPTER	
148		D65109306X	3 HOLDER	
149		D65181505XX	PW BOARD-G	
150		D65181605XX	HARNESS	
151		D65109406X	POLYESTER FILM	
152				

Copyright 1997, Okidata, Division of OKI America, Inc. All rights reserved. See the OKIDATA Business Partner Exchange (BPX) for any updates to this material. (<http://bpx.okidata.com>)



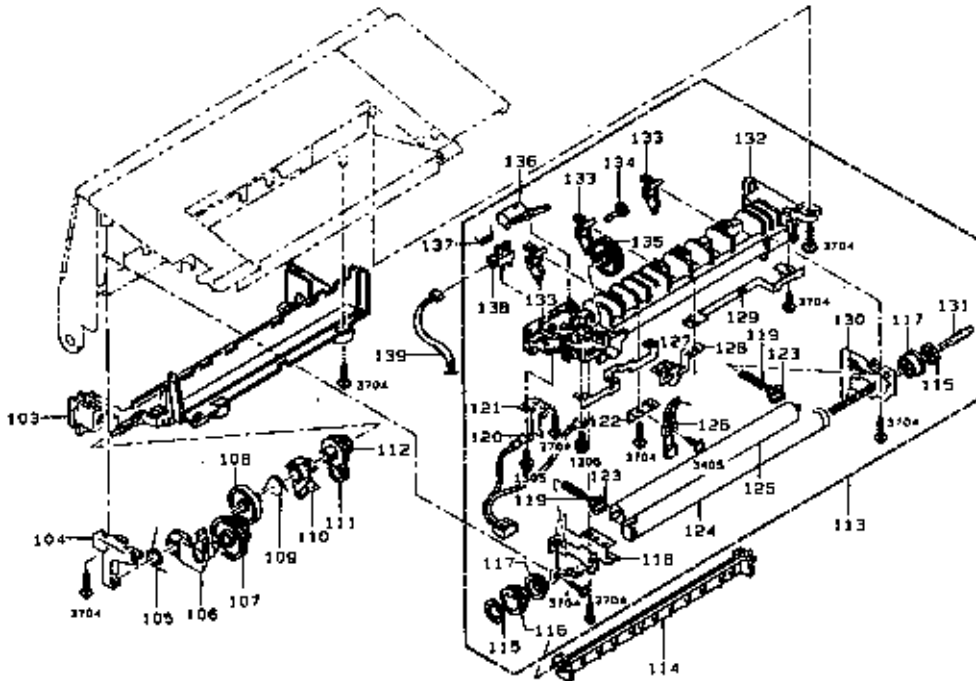
Item No.	OKIDATA P/N	REFERENCE P/N	DESCRIPTION	RSPL
024-101		D65109506X	GROUND PLATE	
102		D65181705XX	PW BOARD-R	
103		D65109606X	GROUND PLATE	
104		D65109706X	BUSHING	
105		D65109806X	HOLDER	
106		D65109906X	ROLL	
107		D65110006X	GEAR 15T	
108		D65110106X	ROLLER	
109		D65110206X	HOLDER	
110		D6511306X	TENSION SPRING	
111		D65110406X	RING	
112		D65110506X	GEAR 21T	
113		D65110606X	TRANSFER UNIT	
114		D65110706X	BUSHING	
115		D65110806X	GUIDE PLATE	
116		D65110906X	ROLLER	
117		D65111006X	PLATE	
118		D65111106X	PRESSURE SPRING	
119		D65111206X	BUSHING	
120		D65111306X	TENSION SPRING	

Copyright 1997, Okidata, Division of OKI America, Inc. All rights reserved. See the OKIDATA Business Partner Exchange (BPX) for any updates to this material. (<http://bpx.okidata.com>)



Service Manual for OF5800

Chapter 6 Illustrated Parts List

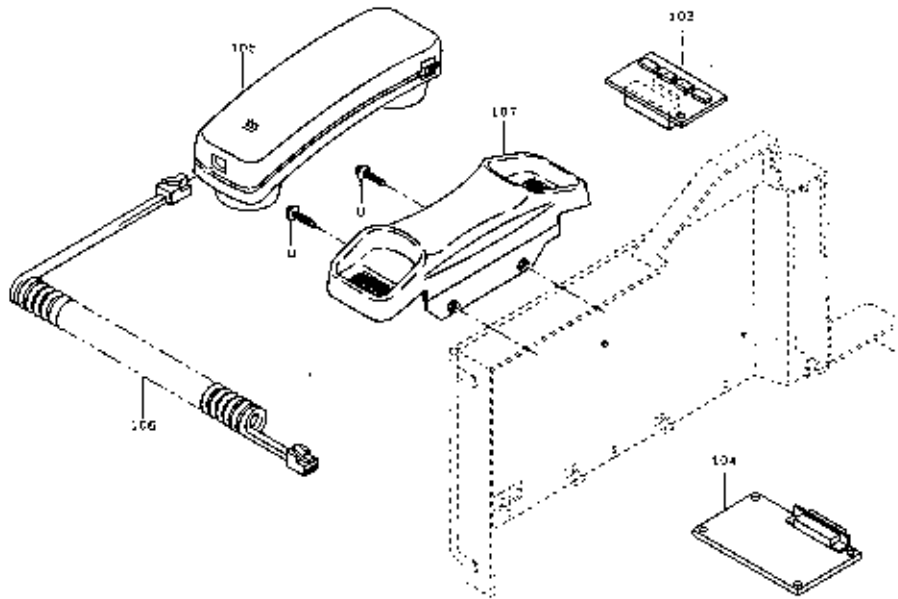


Item No.	OKIDATA P/N	REFERENCE P/N	DESCRIPTION	RSPL
025-103		D651114C6X	COVER	
104		D65111506X	HOLDER	
105		D65111606X	TENSION SPRING	
106		D65111706X	ARM	
107		D65111806X	GEAR 25/50T	
108		D65111906X	GEAR 44T	
109		D65112006X	TENSION SPRING	
110		D65112106X	LEVER	
111		D65112206X	GEAR 22T	
112		D65112306X	EAR 21/38T	
113	50223901	D65112405XA	FUSING UNIT	RSPL
114		D65112506X	GUIDE	
115		D65112606X	C-RING	
116		D65112706X	GEAR 30T	
117		D65112806X	BUSHING	
118		D65112906X	FRAME-LFT	
119		D65113006X	PRESSURE SPRING	
120		D65181805XX	HARNESS	
121		D65113106X	TERMINAL	
122		D65113206X	BRACKET	
123		D65113306X	BUSHING	
124		D65113406X	FUSING ROLLER-UPR	



Service Manual for OF5800

Chapter 6 Illustrated Parts List

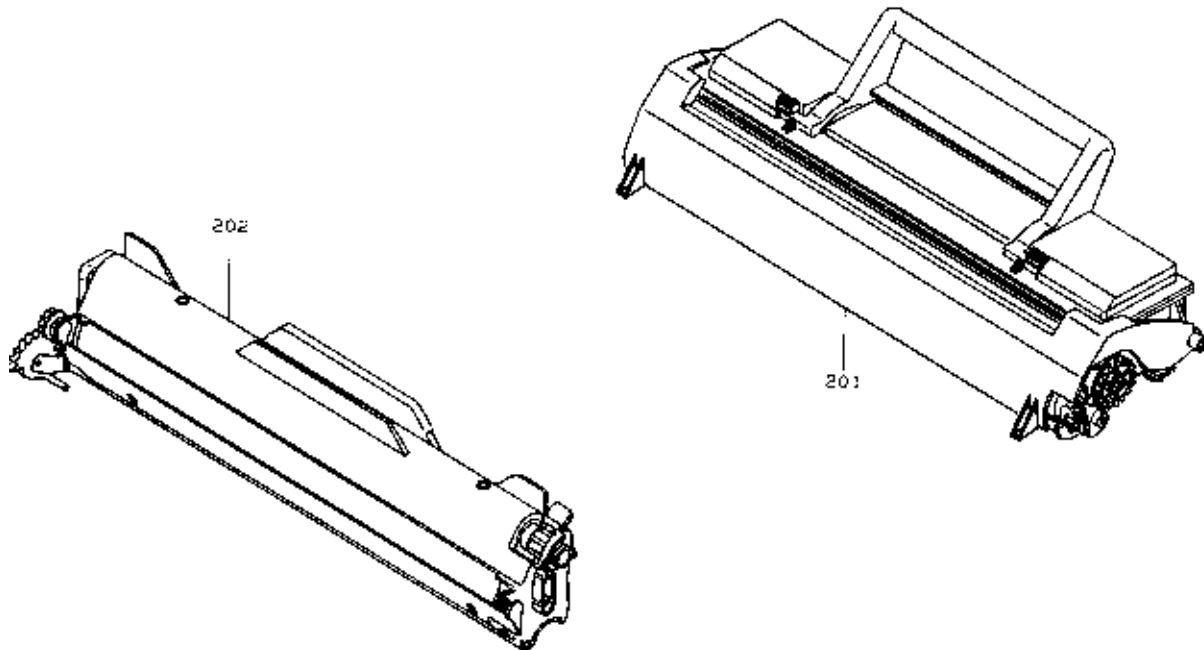


Item No.	OKIDATA P/N	REFERENCE P/N	DESCRIPTION	RSPL
103		D65080605XX	PCB RS232C	
104		D56081205XX	PCB MEMORY	
105		D251520C4X	HANDSET	
106		ZA10097870	CURL CORD	
107		D400327A6X	HANDSET HOLDER	
	70032301		Dual Line / 33.6 KBPS Modem Kit	
	70032401		2 MB Fax Memory Expansion Card Kit	
	70033401		RS232C Serial Interface Kit	
	70033501		GDI Windows Printer Interface Kit	
	70033601		Telephone Handset	



Service Manual for OF5800

Chapter 6 Illustrated Parts List

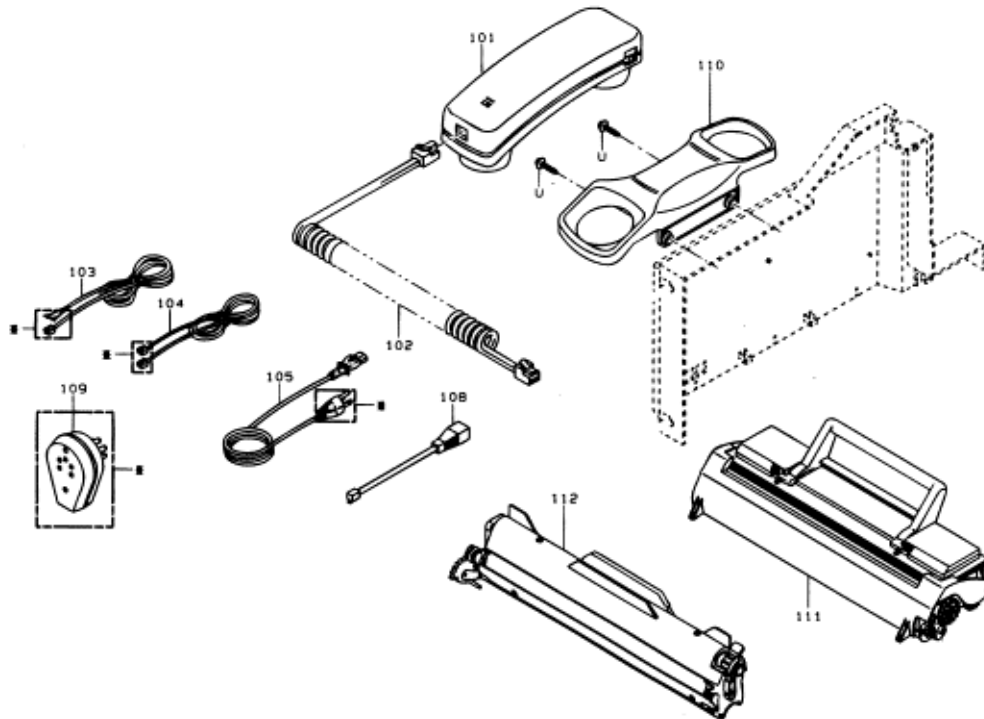


Item No.	OKIDATA P/N	REFERENCE P/N	DESCRIPTION	RSPL
201	52111401	Z902753550	TONER CARTRIDGE	
202	56113601	Z902752650	DRUM CARTRIDGE	



Service Manual for OF5800

Chapter 6 Illustrated Parts List

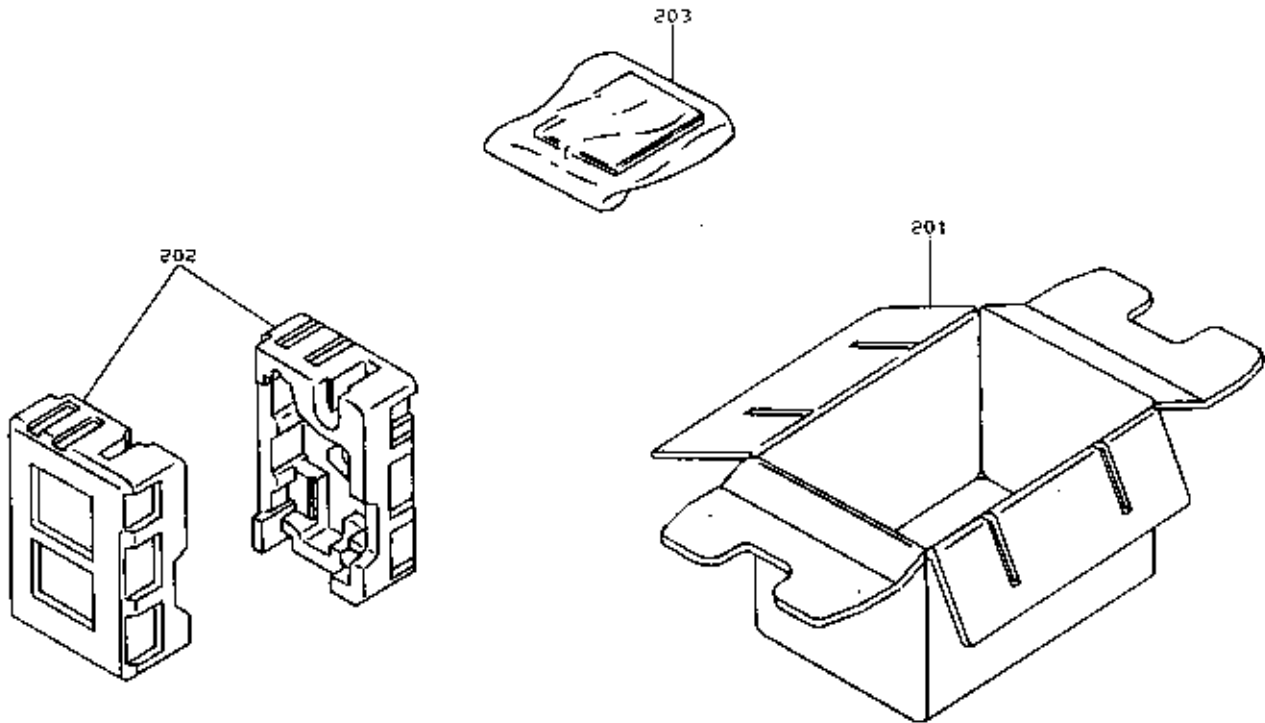


Item No.	OKIDATA P/N	REFERENCE P/N	DESCRIPTION	RSPL
098-001		ZA10033600	MODULAR CORD M-M	
101		D251520C4X	HANDSET	
102		ZA10097870	CURL CORD	
103				
104				
105		Z900879050	POWER SUPPLY CORD	
108				
109				
110		D400327A6X	HANDSET HOLDER	
111	56113601	Z902752650	DRUM CARTRIDGE	
112	52111401	Z902753550	TONER CARTRIDGE	



Service Manual for OF5800

Chapter 6 Illustrated Parts List



Item No.	OKIDATA P/N	REFERENCE P/N	DESCRIPTION	RSPL
201	53591501	D65980-106XX	PACK CASE	
202		D65970106X	STYROL	
203		D65900105X	OP. MANUAL KIT	



Service Manual for OF5800

Chapter 6 Illustrated Parts List

Item No.	OKIDATA P/N	REFERENCE P/N	DESCRIPTION	RSPL
	59284802		Guide: User's (English)	
	59284901		Guide: User's (French Canadian)	
	59285801		guide: Operation of Optional GDI Windows Printer Interface Kit (English)	
	59286301		Guide: Operation of Optional GDI Windows Printer Interface Kit (French Canadian)	
	59285501		Guide: Installation of Optional GDI Windows Printer Interface Kit and Dual Line Modem (English)	
	59286001		Guide: Installation of Optional GDI Windows Printer Interface Kit and Dual Line Modem (French Canadian)	
	59285701		Guide: Operation of Optional Dual Line / 33.6 KPBS Modem Kit (English)	
	59286201		Guide: Operation of Optional Dual Line / 33.6 KPBS Modem Kit (French Canadian)	
	59285601		Guide: Installation and Operation of Optional RS-232C Serial Interface Kit (English only)	
	59286101		Guide: Installation and Operation of Optional RS-232C Serial Interface Kit (French Canadian)	
	58331201		Sheet: Installation of Optional 2 MB Fax Memory (English)	
	58331202		Sheet: Installation of Optional 2 MB Fax Memory (French Canadian)	
	58331101		Sheet: Installation of Optional Handset (English)	
	58331102		Sheet: Installation of Optional Handset (French Canadian)	
	58331401		Sheet: Drum Installation (English / French Canadian)	
	58331501		Sheet: Toner Installation (English / French Canadian)	



Service Manual for OF5800

Chapter 6 Illustrated Parts List

PLEASE NOTE: Hardcopy service documentation is available in the OKIFAX 5800 Service Training Kit, P/N 58220501.

On-line versions are available through OKIDATA's Web Site, www.okidata.com

Item No.	OKIDATA P/N	REFERENCE P/N	DESCRIPTION	RSPL
	58220501		Kit: OF5800 Service Training	
	58323001		Sheet: ID/Read Me First	
	59276901		Manual: Certification	
	59277001		Manual: Service	

Copyright 1997, Okidata, Division of OKI America, Inc. All rights reserved. See the OKIDATA Business Partner Exchange (BPX) for any updates to this material. (<http://bpx.okidata.com>)



Service Manual for OF5800

Chapter 6 Illustrated Parts List

Item No.	OKIDATA P/N	REFERENCE P/N	DESCRIPTION	RSPL
	62209801		OKIFAX 5800 120 Volt	

Copyright 1997, Okidata, Division of OKI America, Inc. All rights reserved. See the OKIDATA Business Partner Exchange (BPX) for any updates to this material. (<http://bpx.okidata.com>)

OKI PART #	DESCRIPTION
50117901	ASSY. CASSETTE
50223701	PRINTHEAD UNIT
50223801	ASSY. DOCUMENT TRAY
50223901	FUSING UNIT
50411801	ASSY. RETARD ROLLER
50411901	ASSY. SEPARATOR ROLLER
50412001	FEED ROLLER
50412101	ASSY. DS1/DS2
50412201	ASSY. IL SWITCH
50412301	ASSY. PS SENSOR
50412401	PICK UP ROLLER W
50412501	ROLLER
50412601	FEED ROLLER W
50412601	FEED ROLLER W
50608301	STOPPER
50709401	STAMP
50932401	PRESSURE SPRING
51025001	ASSY. END GUIDE
51239701	GEAR 13/45
51239801	GEAR 23
51239901	CLUTCH GEAR
51240001	GEAR 41
51240101	FEED GEAR W

52095501	ONE TOUCH LABEL
52095502	ONE TOUCH LABEL
52204901	RETARD FILM
53078101	ONE TOUCH PANEL
53078201	SCANNER COVER
53078301	O.P. COVER
53078401	ASSY. PANEL COVER
53078501	REAR COVER
53078601	TOP COVER
53078701	COVER
53078801	CASSETTE SIDE COVER L
53078901	CASSETTE SIDE COVER R
53079001	FRONT COVER
53079101	SCANNER FRONT COVER
53079201	PANEL LOWER COVER
53079301	ONE TOUCH SHEET
53351001	SEPARATOR
53351101	GEAR FRAME F
53351201	ASSY. SCANNER FRAME
53351301	SEPARATOR
55082201	PCB: MAIN
55082301	PCB: PANEL
55082401	PCB: CCD
55082501	PCB: NCU
55082601	PCB: PRINTER I/F
55082701	PCB: CASSETTE USA
55083001	PCB: MODULAR
55626301	INVERTER

55626401	LCD DISPLAY
55700501	PAPER HOPPER
55700601	ASSY. DOCUMENT HOPPER
56113701	LAMP
56113801	MIRROR B
56113901	TUBE LAMP
56416501	ASSY. POWER SUPPLY
56514001	SOLENOID
56514101	FAN MOTOR
	THERMISTOR
	THERMOSTAT
	DOCUMENT TRAY B
	PHOTO INTERRUPTER
	BUSHING
	MIRROR A
	FUSING ROLLER LOWER
	FUSING ROLLER UPPER
	TRANSFER UNIT
	RUBBER CONTACT
	D-ROLLER
	PW BOARD-A
	ACTUATOR
	ROLLER
	EXIT GEAR
	DOCUMENT TRAY A
	OUTER GUIDE B
	MOD JACK COVER
	SOLENOID TDS-F08G

	PW BOARD-G
	BUSHING
	GEAR 16T
	HOLDER
	END GUIDE
	BRUSH B
	EXIT PRESS ROLLER
	PWB-HV (WITH IC)
	PHOTO INTERRUPTER
	CAM
	CLUTCH SPRING
	SLIDE PLATE
	GEAR FRAME R
	COVER GLASS
	OUTER GUIDE A
	FOOT
	HARNESS
	GEAR 30T
	ROLLER
	HOLDER
	LIFTING PLATE
	TORSION SPRING
	FEELER
	HINGE BEARING
	BRUSH A
	EARTH SPRING S
	PHOTO INTERRUPTER
	HARNESS

	CAM
	PRESSURE SPRING
	PLATE SPRING
	CBL-ASSY. NCU MODULAR
	CBL-ASSY. MAIN 232C 2
	CBL-ASSY. MAIN 232C 1
	CBL-ASSY. MAIN NCU1
	CASSETTE FRAME
	DOCUMENT HOPPER B
	LOCK LEVER SHAFT
	RETARD GEAR 32T
	SIDE ROLLER
	MOTOR
	LENS
	CASSETTE ASSY
	GEAR
	LEVER
	SPRING
	GEAR
	GEAR
	ARM
	TENSION SPRING
	HOLDER