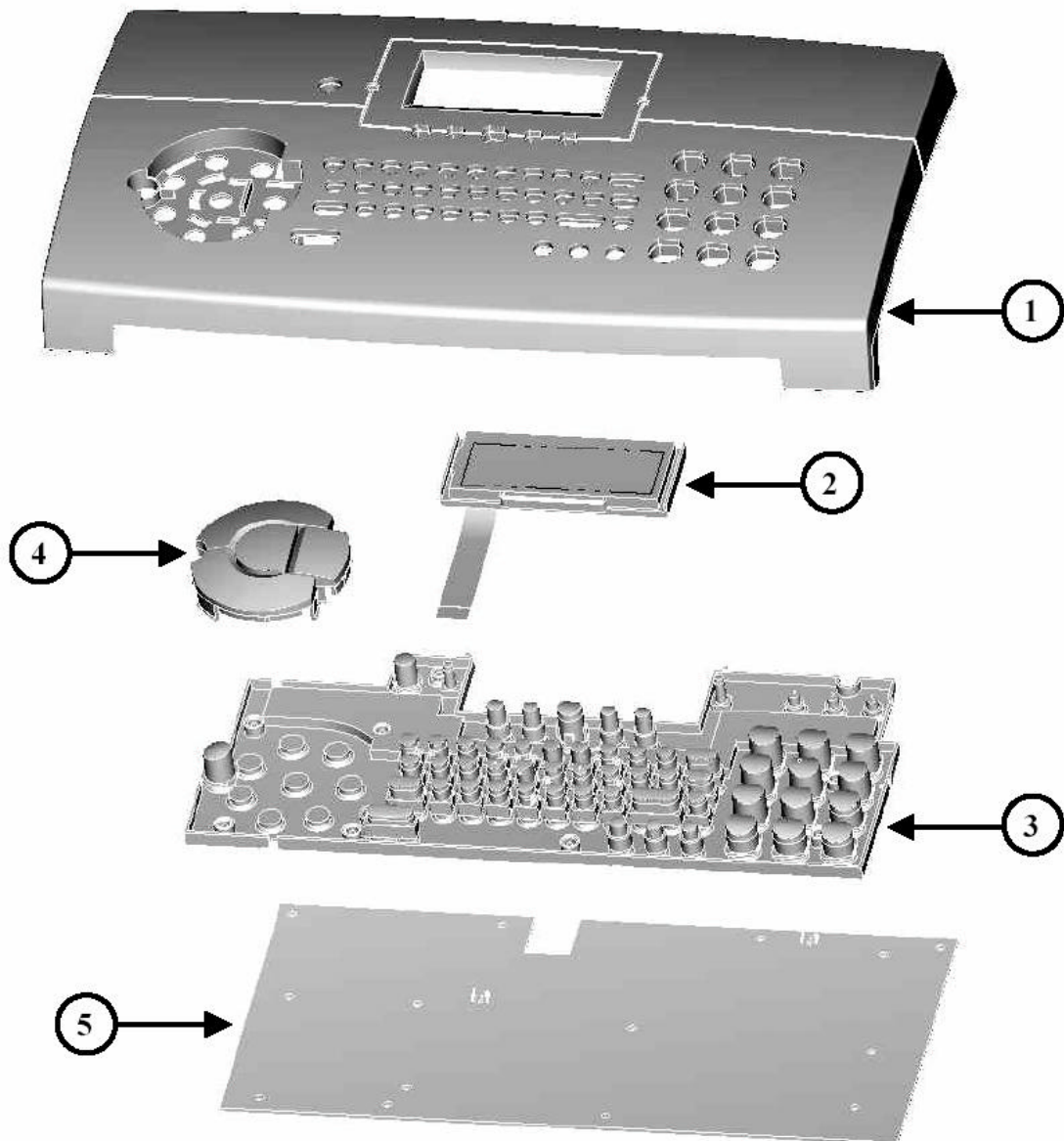


OKIFAX 4515
RECOMMENDED SPARE PARTS LIST

CONTENTS

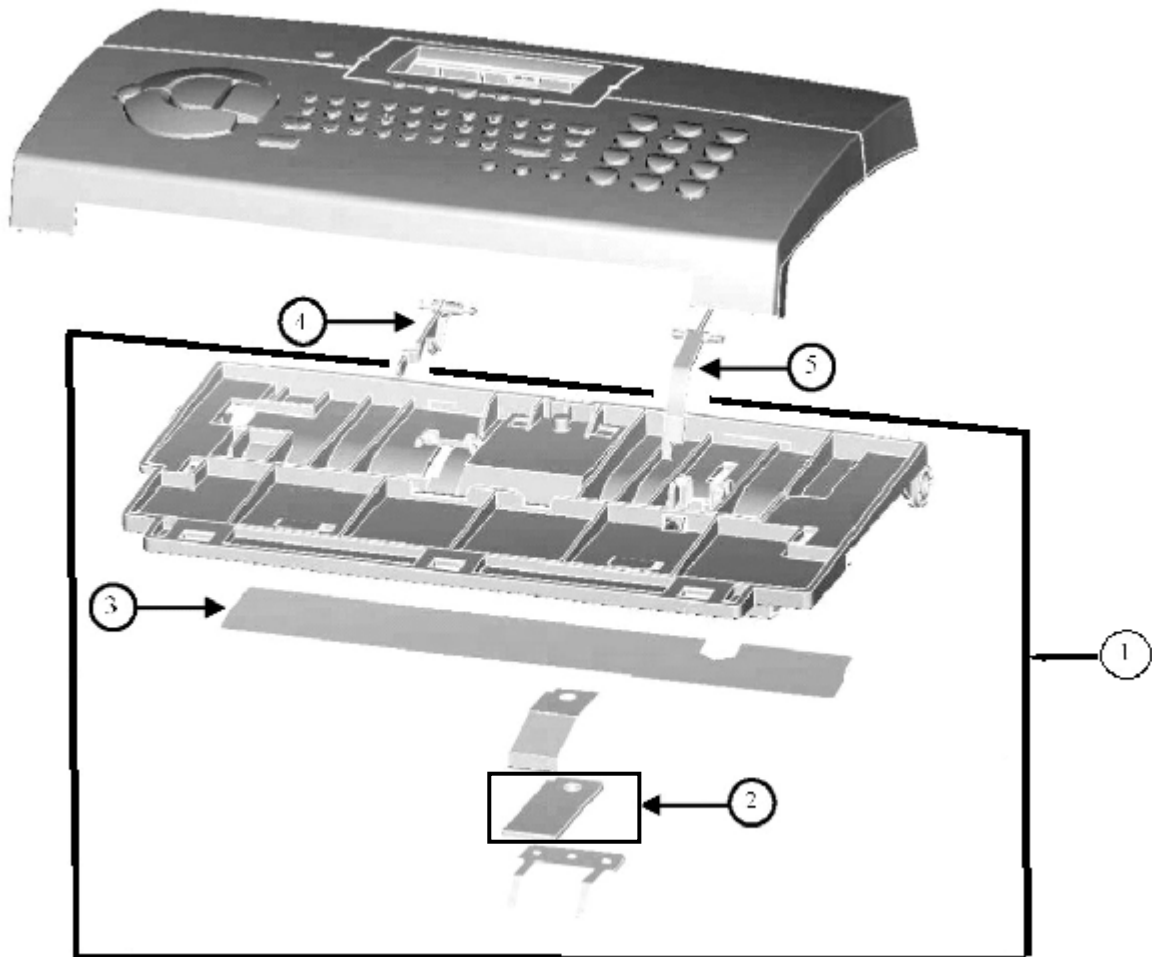
OPERATION PANEL	PAGE 3
UPPER GUIDE ASSEMBLY	PAGE 4
HOUSING AND SCANNER	PAGE 5
PICK UP ASSEMBLY	PAGE 6
FUSER ASSEMBLY	PAGE 7
MAIN BOARD ASSEMBLY.....	PAGE 8
DRIVE MODULE	PAGE 9
BRACKET ASSEMBLY	PAGE 10
REAR COVER ASSEMBLY	PAGE 11
PAPER CASSETTE ASSEMBLY	PAGE 12
CRADLE AND HANDSET	PAGE 13

OPERATION PANEL



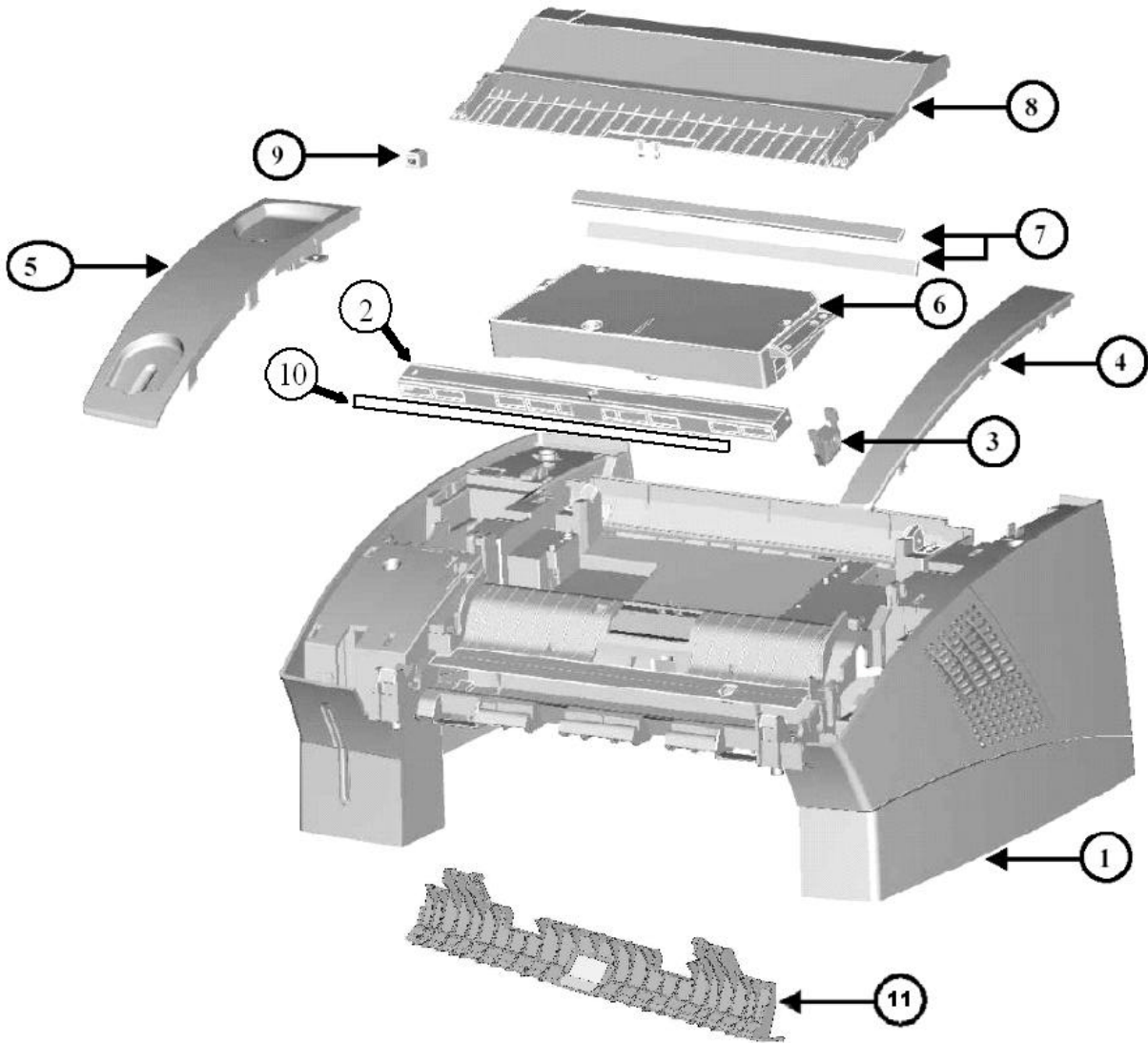
ITEM	REFERENCE	DESCRIPTION	COMMENTS
1-5	252072155	PANEL OKIFAX 4515, COMPLETE	
1	252072197	PANEL OKIFAX 4515, PRINTED	
2	510350882550	LCD MODULE/SMS PRODUCTS	
3	251463688	SMS-KEYPAD ASSY. LASERFAX	
4	251463696	CENTRE KEYS SILVER	
5	251371744	PCBa L2-OPU	

UPPER GUIDE ASSEMBLY



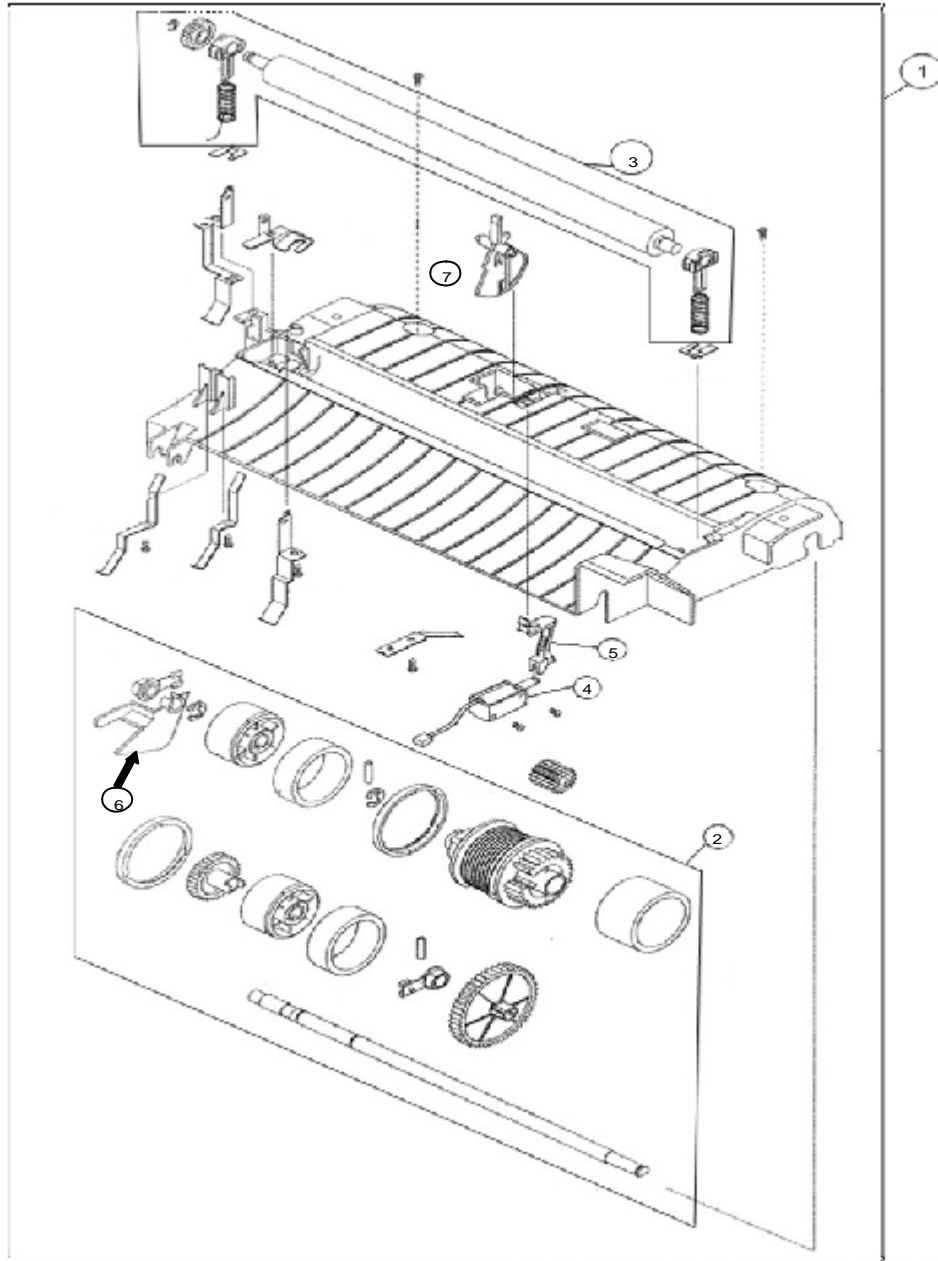
ITEM	REFERENCE	DESCRIPTION	COMMENTS
1	251367196	GUIDE, ASSY. -UPPER	
2	251367331	ADF PAD	
3	251324729	SHEET - READING BAR	
4	251367323	ACTUATOR ADF	
5	251367344	ACTUATOR RP	

HOUSING AND SCANNER



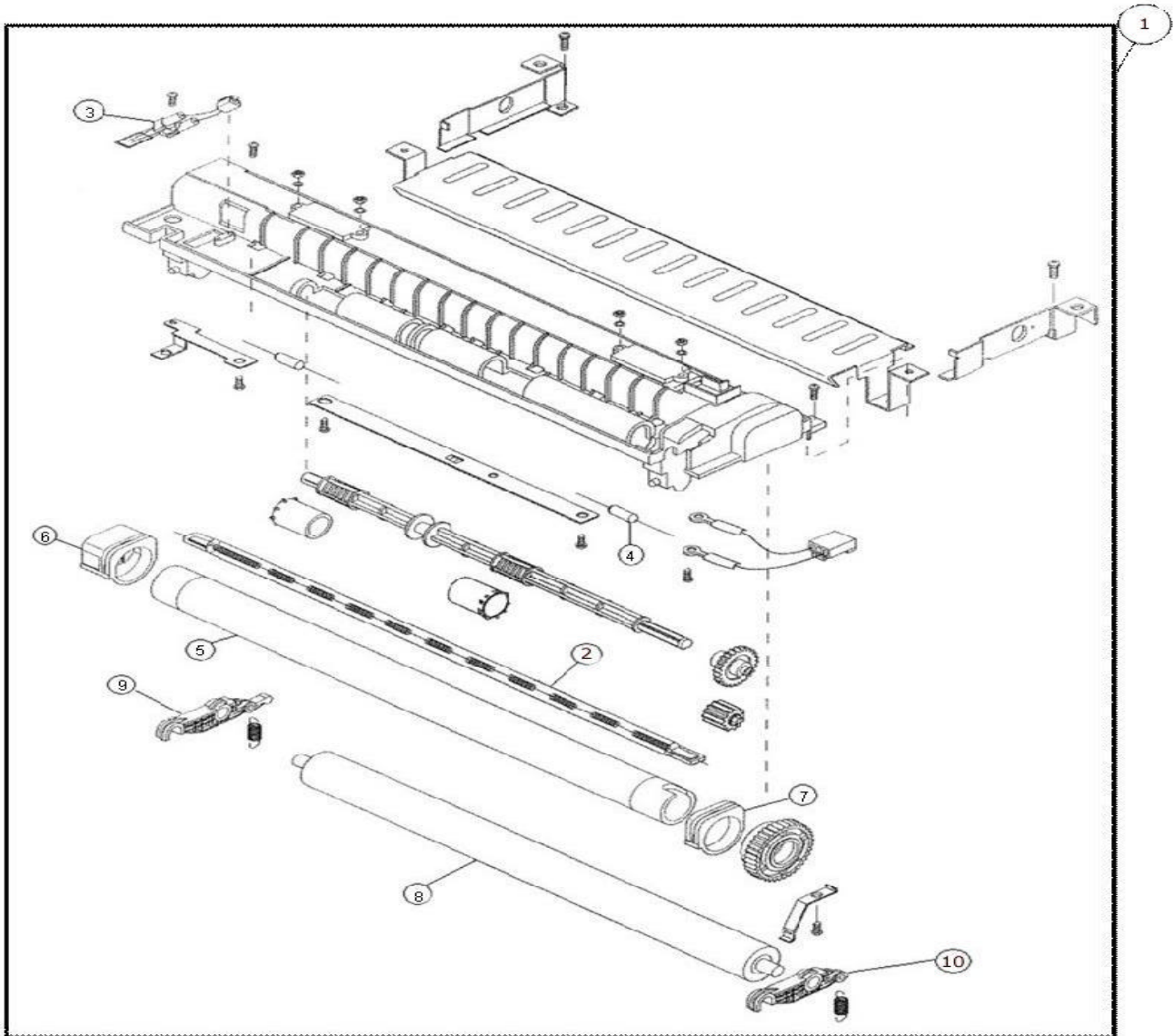
ITEM	REFERENCE	DESCRIPTION	COMMENTS
1	251629463	MAIN HOUSING WITH LSU, ASSY INCLUDES ITEMS 6, 7 & 8	
2	251324646	CIS 300DPI,	
3	251324675	CIS - HOLDER	
4	251324865	COVER - RIGHT	
5	251324844	HANDSET COVER	
6		ONLY AVAILABLE AS PART OF ITEM 1	
7	251324795	MIRROR - LSU BV2	
8	252152490	COVER - LSU	Rev.7
9	251324878	USB COVER	
10	251405160	CIS FOIL	
11	251932696	PAPER SEPARATION ASSY	

PICK UP ASSEMBLY



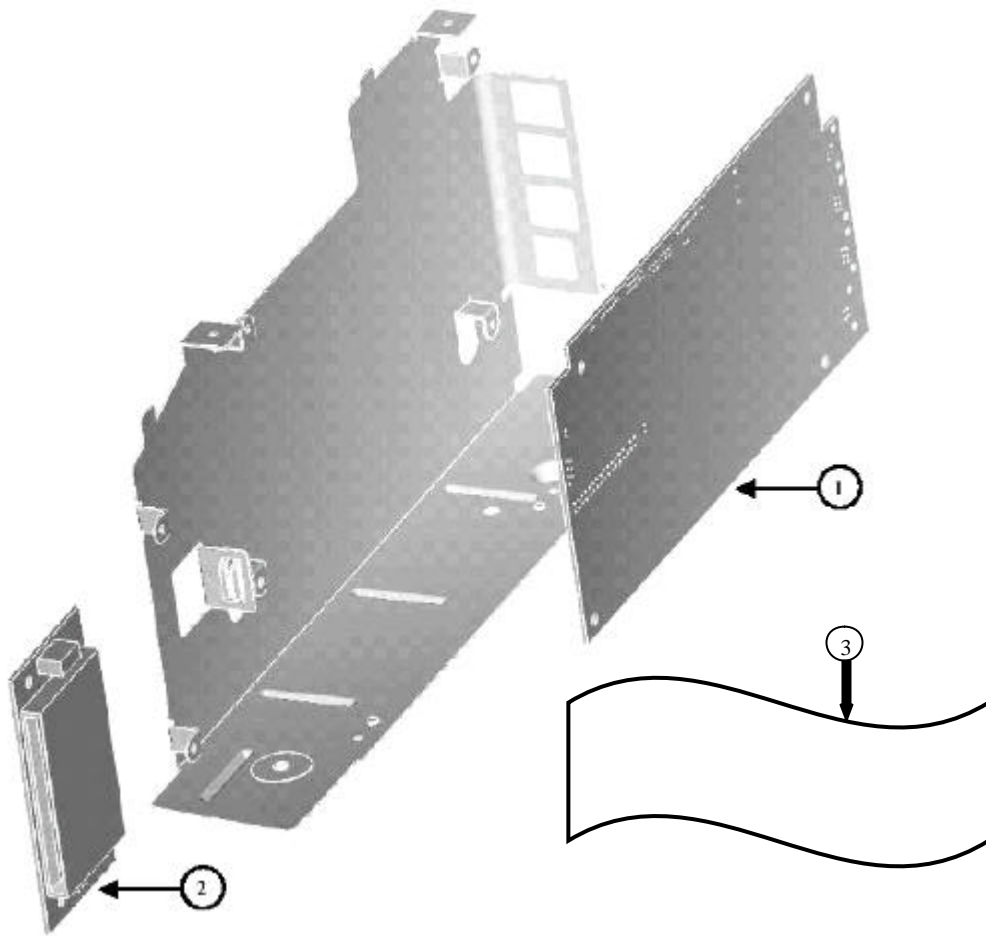
ITEM	REFERENCE	DESCRIPTION	COMMENTS
1	251325130	PICKUP ASSY COMPLETE	
2	251630073	PICKUP FEEDING ROLLER ASSY	
3	251630094	TRANSFER ROLLER ASSY	
4	251630086	SOLENOID ASSY	
5	251632639	PICKUP HOOK LEVER	
6	252202117	ACTUATOR PAPER SENSOR	Rev.7
7	251632650	ACTUATOR INPUT SENSOR	

FUSER ASSEMBLY



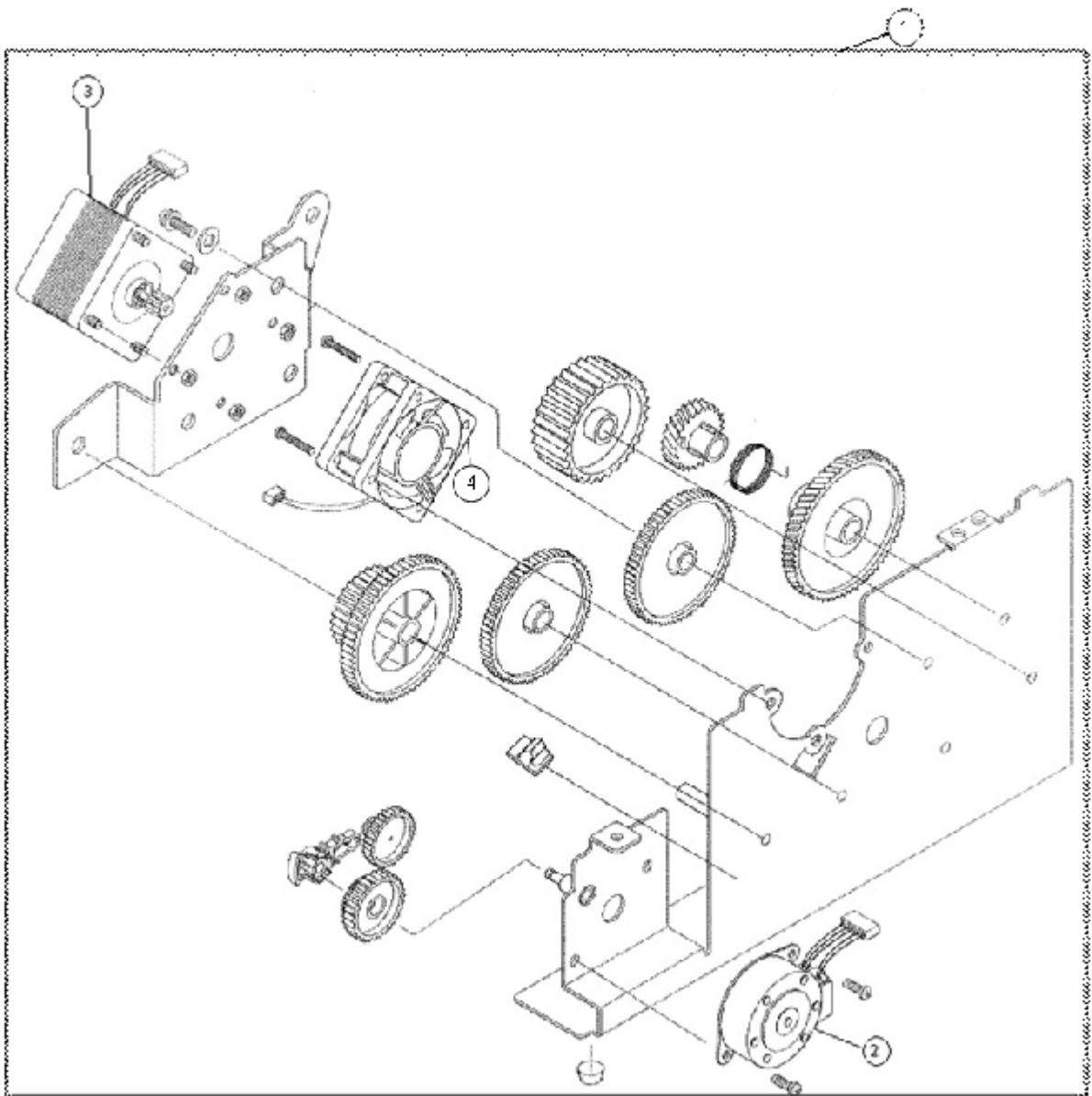
ITEM	REFERENCE	DESCRIPTION	COMMENTS
1	252249574	FUSING UNIT 220V COMPLETE	Rev.7
2	251632915	HALOGEN LAMP L2 750W/220V	
3	251632923	THERMISTER L2	
4	251632936	FUSE UCHIHASHI 225R	
5	251632978	HEAT ROLLER	
6	251632944	BUSH HEAT ROLLER LH	
7	251632957	BUSH HEAT ROLLER RH	
8	251632999	BACK UP ROLLER	
9	251633008	BUSH BACK UP ROLLER LH	
10	251633011	BUSH BACK UP ROLLER RH	

MAIN BOARD ASSEMBLY



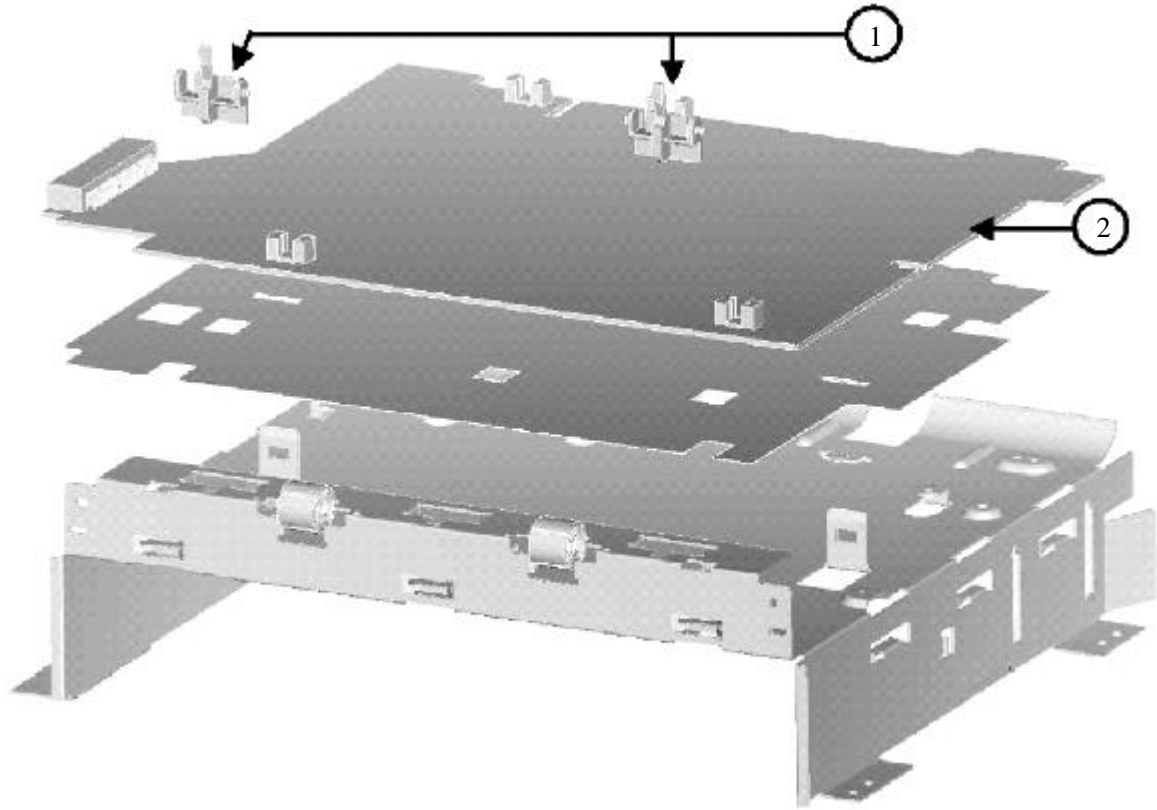
ITEM	REFERENCE	DESCRIPTION	COMMENTS
1	251566463	PCBa L2-MAB-S1-EU v4	Rev.7
2	251307851	PCBa L2-SCB v1 (smartcard)	
3	251349200	FFC-CABLE 7P 65mm (SCB-MAB)	
	252085706	FIRMWARE L2-OKIFAX 4515	

DRIVE MODULE



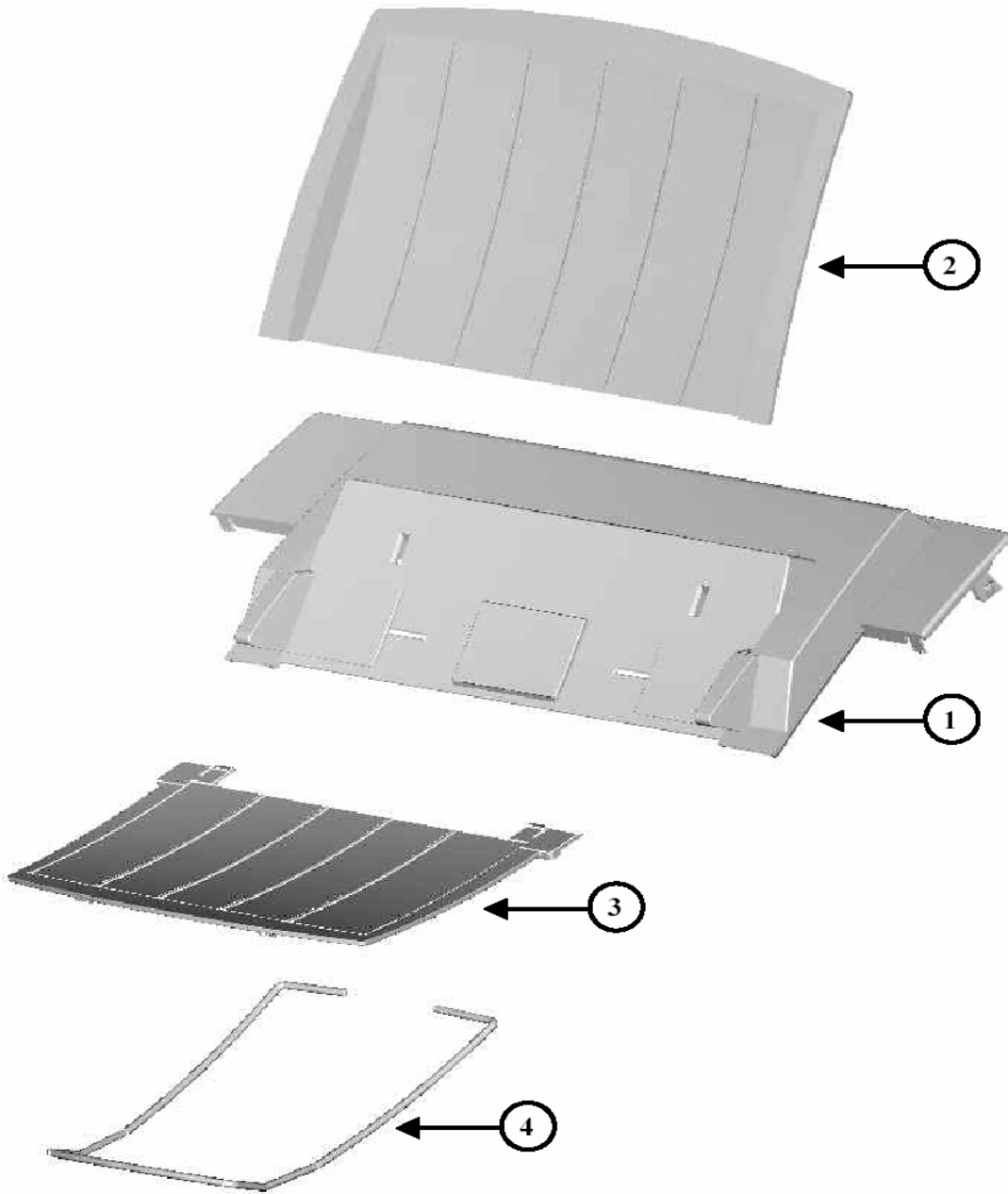
ITEM	REFERENCE	DESCRIPTION	COMMENTS
1	251723571	GEARBOX WITH POWER-CABLE ASSY	
2	251633222	MOTOR FAX PM35S	
3	251633230	MOTOR RECORD PART 16PU	
4	251633219	FAN	

BRACKET ASSEMBLY



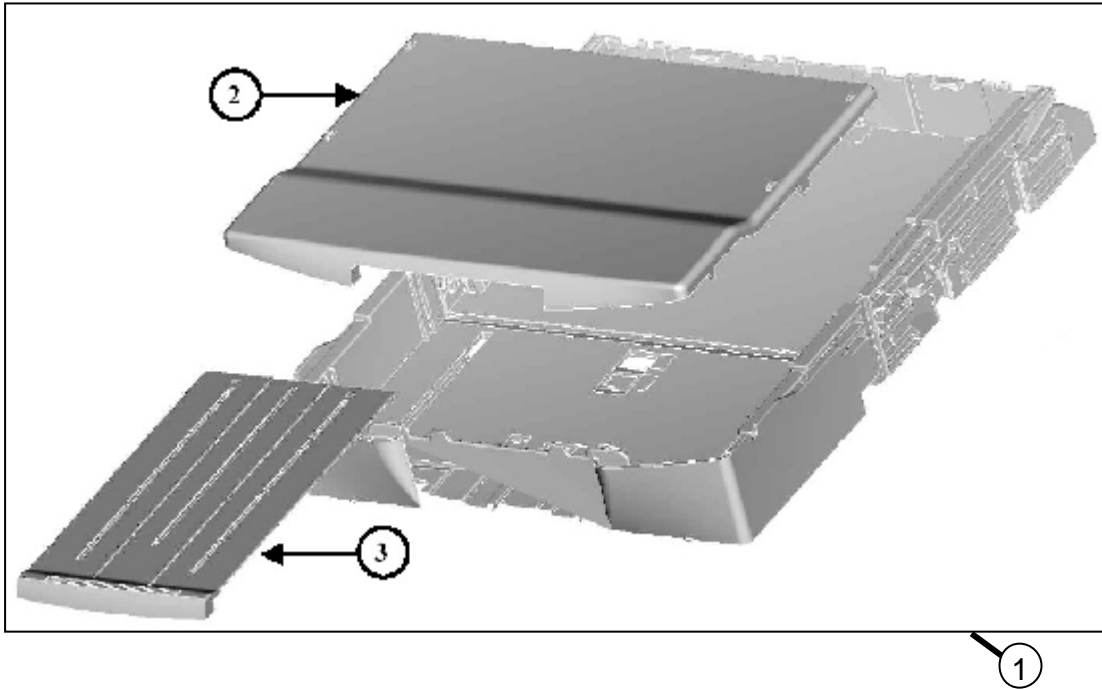
ITEM	REFERENCE	DESCRIPTION	COMMENTS
1	251324013	ACTUATOR - EXIT	
2	251317258	L2 PGU 240V	

REAR COVER ASSEMBLY



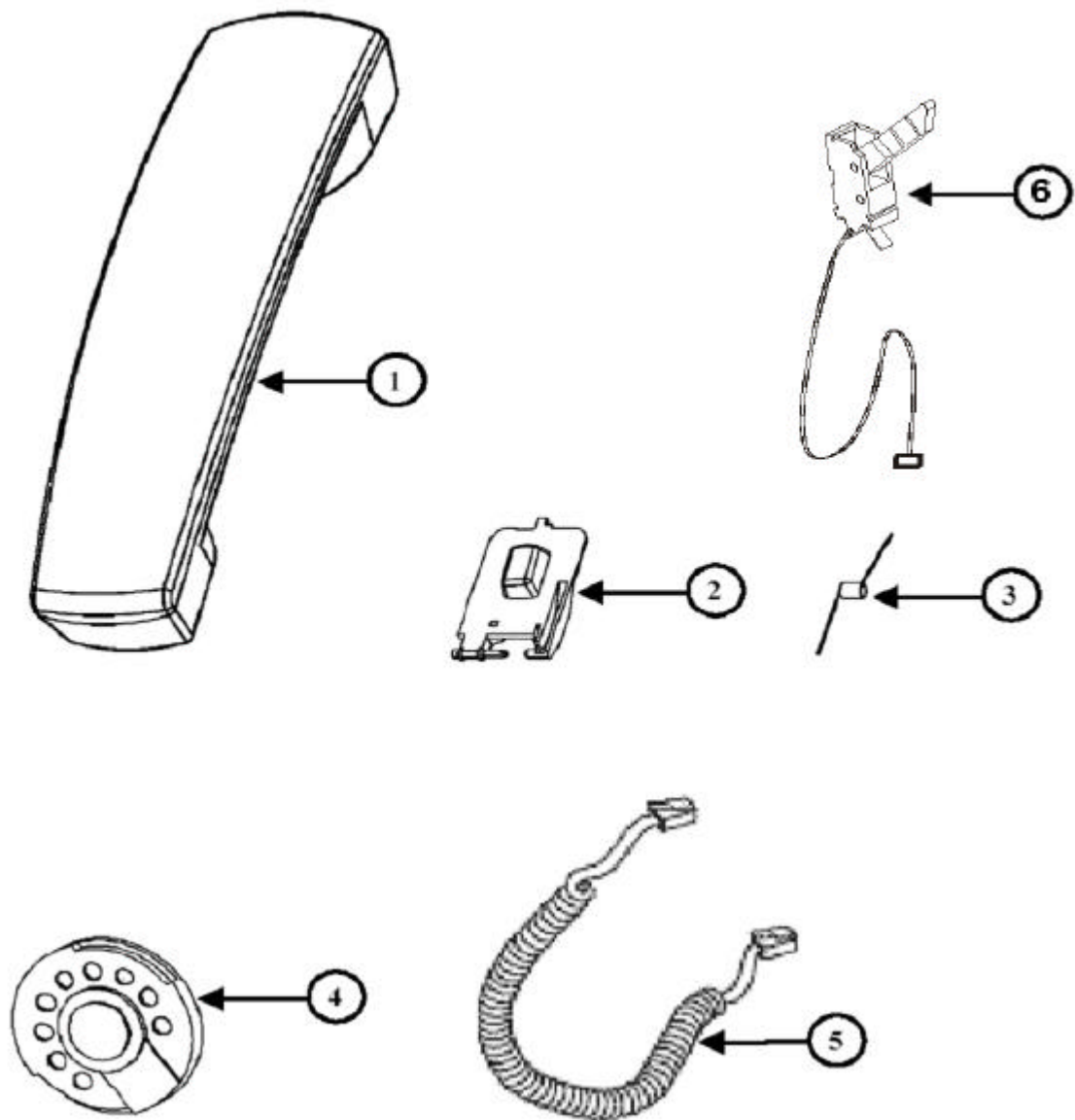
ITEM	REFERENCE	DESCRIPTION	COMMENTS
1	251324943	REARCOVER ASSY	
2	251324886	DOCUMENT TRAY FOR DOC.-IN	
3	251324899	DOCUMENT TRAY FOR DOC.-OUT	
4	251324901	DOCUMENT EXTENSION FOR DOC.-OUT	

PAPER CASSETTE ASSEMBLY



ITEM	REFERENCE	DESCRIPTION	COMMENTS
1	251324993	PAPERCASSETTE 250 PAGES (COMPLETE)	
2	251633243	EXIT PRINT TRAY	
3	251633251	EXIT PRINT TRAY EXTENSION	

CRADLE AND HANDSET



ITEM	REFERENCE	DESCRIPTION	COMMENTS
1	510350882160	HANDSET, ASSY	
2	510350422900	HOOKSWITCH LEVER	
3	510350101420	HOOKSWITCH SPRING	
4	251394619	LOUDSPEAKER 50mm / L100mm	
5	510350784260	HANDSET CABLE	
6	251349250	SWITCH+CABLE 2P 130mm (HOOKSW. – MAB)	