

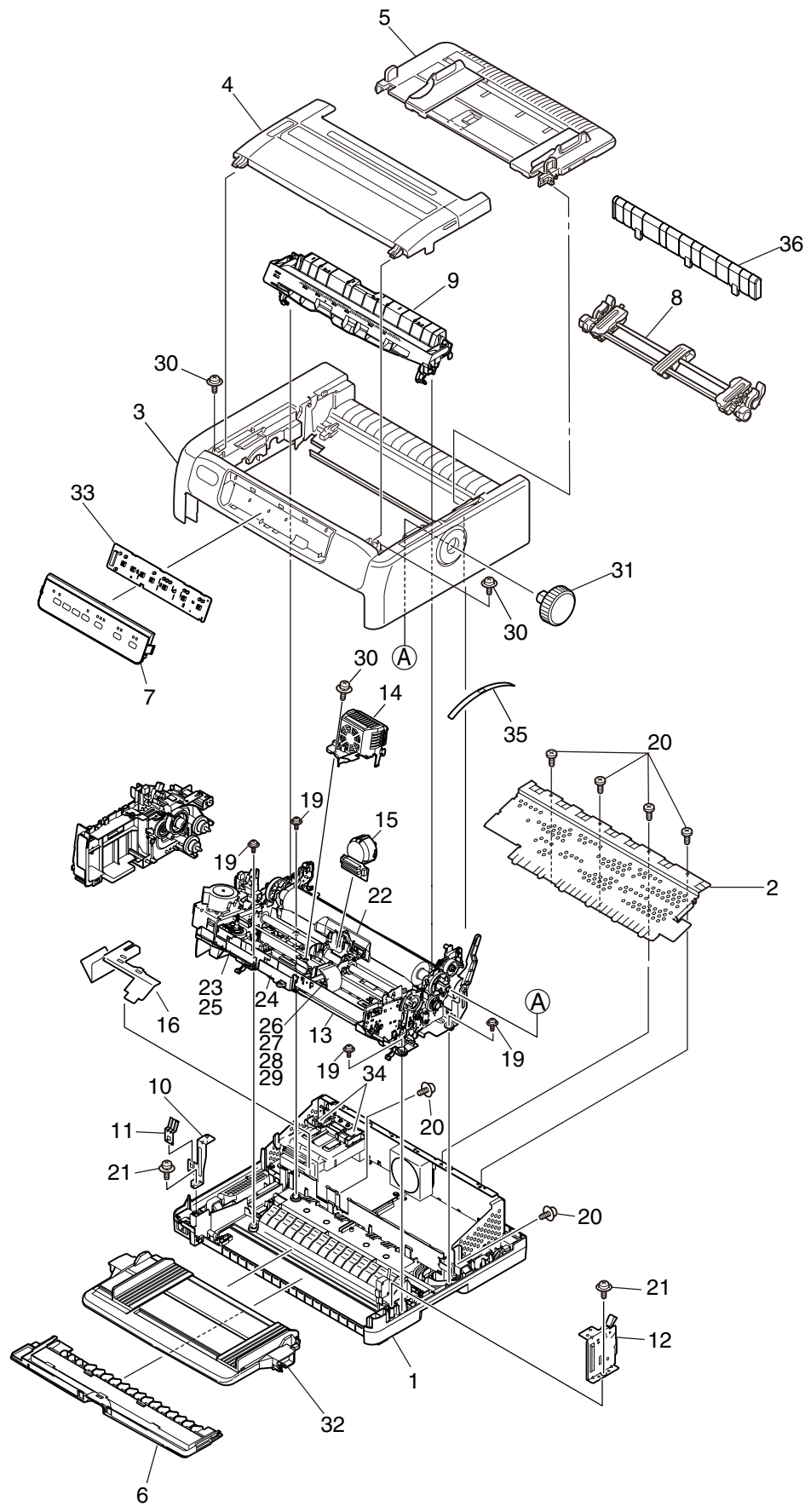
ML690 / ML691

Spare Parts

Illustration Manual

020713A

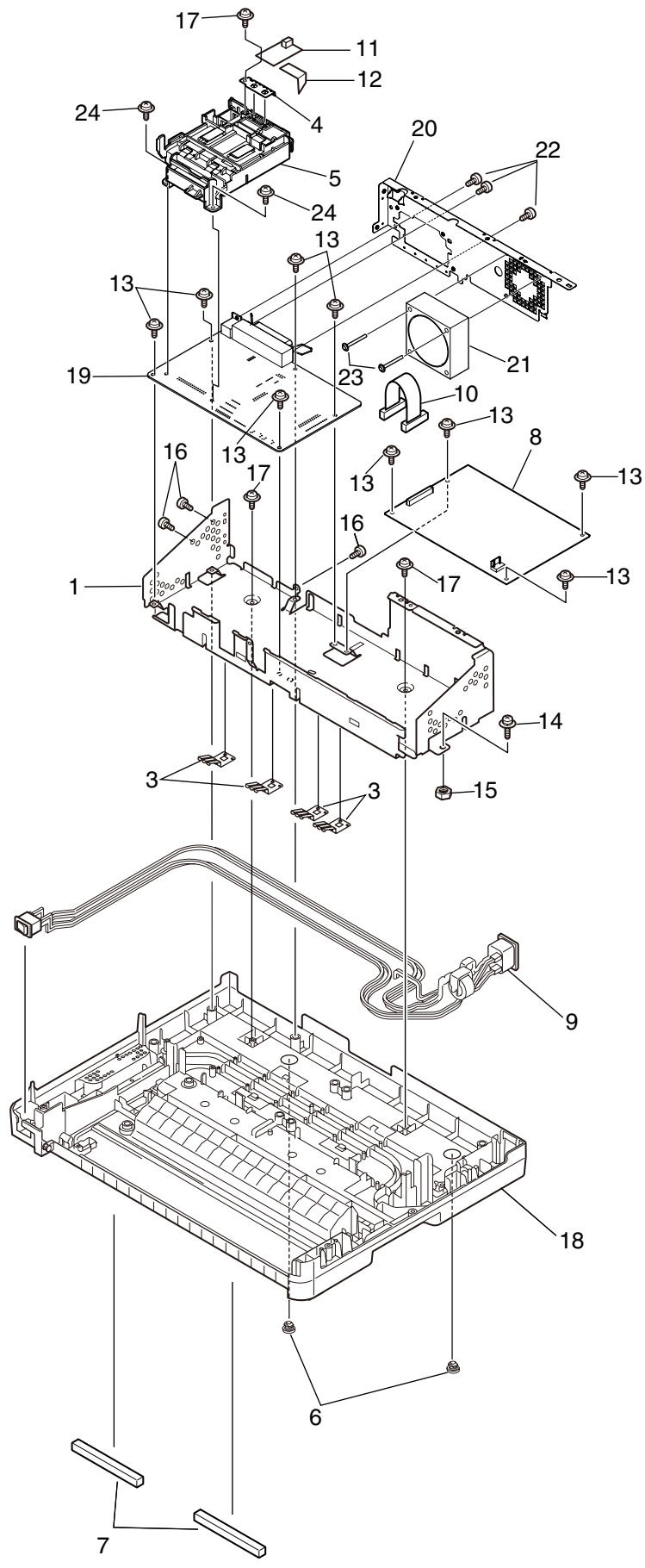
Printer General Assy



No.	ODA P/N	Part Name	Qty /Unit	Recommended Qty/Year			Remarks
				per	per	per	
				500	1000	2000	
1	44210302	Cover Assy.-Lower(N24)	1	2	4	8	
1	44210402	Cover Assy.-Lower(W24)	1	2	4	8	
2	44211601	Plate-Shield-Upper	1	2	4	8	
3	44211701	Cover Assy.-Upper(N)Sticking	1	2	4	8	
3	44211801	Cover Assy.-Upper(W)Sticking	1	2	4	8	
4	44212201	Cover Assy.-Access	1	2	4	8	
4	44212301	Cover Assy.- Access(W)Sticking	1	2	4	8	
5	44224401	Sheet-Guide-Assy.(N)Rear	1	2	4	8	
5	44224501	Sheet-Guide-Assy.(W)Rear	1	2	4	8	
6	44213901	Cover-Front(N).-Assy	1	2	4	8	
6	44214101	Cover-Front(W).Assy	1	2	4	8	
7	44216003	OP Panel Assy.-ML690	1	2	4	8	
7	44216004	OP Panel Assy.-ML691	1	2	4	8	
8	44215701	Tractor-Assy(N)	1	2	4	8	
8	44215901	Tractor-Assy(W)	1	2	4	8	
9	44225401	Roller-Pull-Up-Unit-(N)	1	2	4	8	
9	44225501	Roller-Pull-Up-unit-(W)	1	2	4	8	
10	44226901	Bracket-Side-L	1	2	4	8	
11	44211201	Plate-FG	1	2	4	8	
12	44315001	Cover-Open-Assy	1	2	4	8	
12	44315002	Cover-Open-Assy	1	2	4	8	
13	44228101	Printer Unit-(N24)	1	2	4	8	
13	44228201	Printer Unit-(W24)	1	2	4	8	
14	44315201	Cover-Fan-Assy.	1	2	4	8	
15	44158904	24pin-Dot-Head- Specification(500R)	1	10	20	40	
16	44850801	Film-Harness	1	2	4	8	

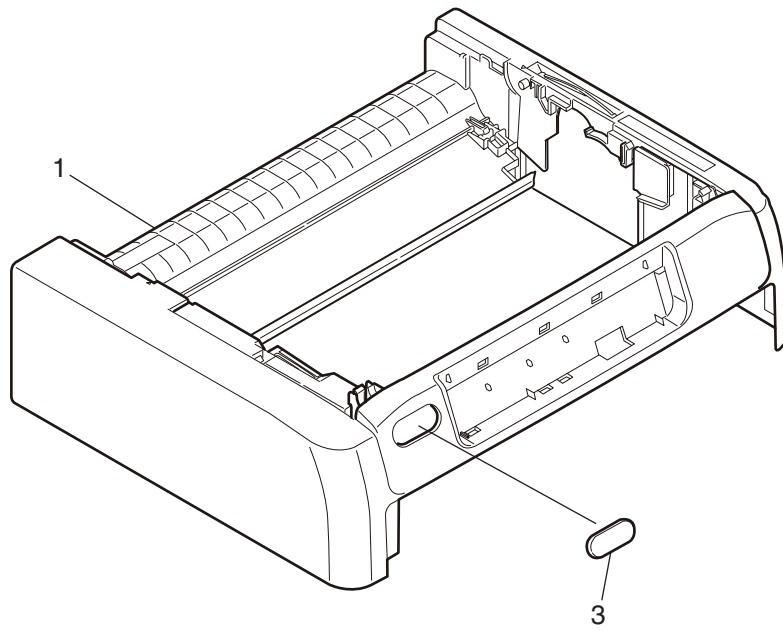
No.	ODA P/N	Part Name	Qty /Unit	Recommended Qty/Year			Remarks
				per 500	per 1000	per 2000	
19	44286408	Screw-Tap-Tight	4	8	16	32	
22	44314701	Protector-Ribbon-Assy	1	5	10	20	
23	44232201	Clamp-Home-Sensor	1	2	4	8	
24	44232301	Clamp-Head-Cable	1	2	4	8	
26	44311401	Head-Cord-21-N(Bending-Figure)	1	5	10	20	
26	44311501	Head-Cord-21-W(Bending-Figure)	1	5	10	20	
27	44311601	Head-Cord-23-N(Bending-Figure)	1	5	10	20	
27	44311701	Head-Cord-23-W(Bending-Figure)	1	5	10	20	
28	44232601	Film-Guide-Head-Cable	1	2	4	8	
28	44232602	Film-Guide-Head-Cable	1	2	4	8	
29	44876801	Film-Guide-Head-Cable-Low	1	2	4	8	
31	44227601	Knob-Platen	1	2	4	8	
32	44241401	Sheet-Guide-Assy.Front(N)	1	2	4	8	
32	44241801	Sheet-Guide-Assy.-Front(W)	1	2	4	8	
33	44332001	OR-Board Assy-OP1	1	2	4	8	
35	44212101	Film-Cover	1	2	4	8	
36	44627501	Guide-Pull-Up(N)	1	2	4	8	
36	44627601	Guide-Pull-Up(W)	1	2	4	8	

Lower Cover Assy



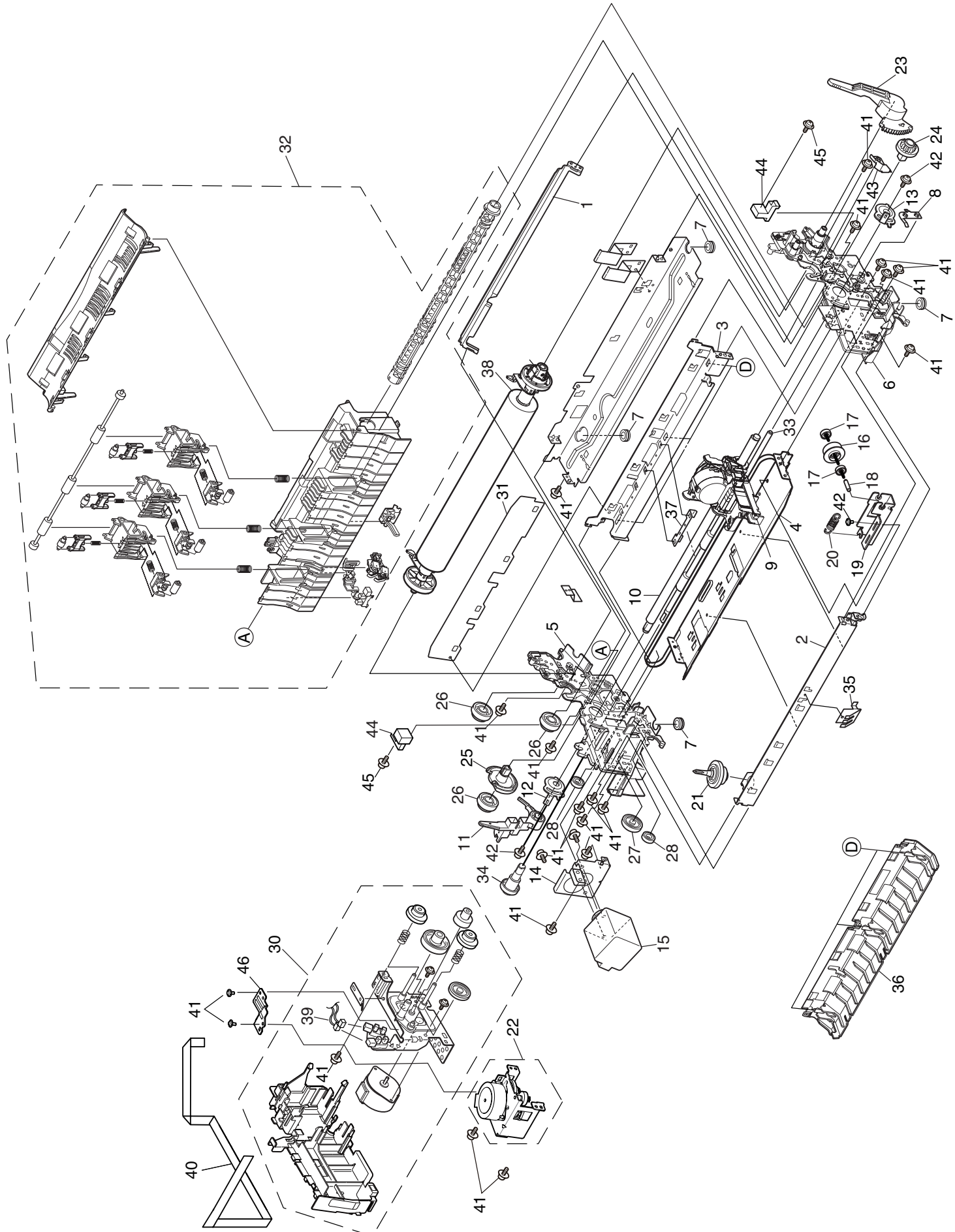
No.	ODA P/N	Part Name	Qty /Unit	Recommended Qty/Year			Remarks
				per	per	per	
				500	1000	2000	
1	44211101	Plate-Shield-Lower	1	2	4	8	
3	44211201	Plate-FG	4	8	16	32	
4	44211301	Plate-FG-PCB	1	2	4	8	
5	44211401	Plate-PCB	1	2	4	8	
7	44870601	Rubber-leg	2	4	8	16	
8	44495701	PWR unit(Spare Parts 100V)	1	5	10	20	
8	44495702	PWR unit(Spare Parts 200V)	1	5	10	20	
9	44204201	Power Cable Assy	1	2	4	8	
9	44204202	Power Cable Assy	1	2	4	8	
10	44164801	CONN Cord-Wire-PWR unit	1	2	4	8	
11	44331901	OR-Board Assy-ACF	1	2	4	8	
12	44339601	CSF-Cable(Bending-Figure)	1	2	4	8	
14	54326608	Screw	1	2	4	8	
15	50428301	Nut	1	2	4	8	
18	44210901	Cover-Lower(N)	1	2	4	8	
18	44211001	Cover-Lower(W)	1	2	4	8	
19	44665801	MBA-PCB Assy. maintenance Spec.	1	5	10	20	
20	44289401	Plate-Shield-PCB	1	2	4	8	
22	54316401	Screw	3	6	12	24	

Upper Cover Assy



No.	ODA P/N	Part Name	Q'ty /Unit	Recommended Q'ty/Year			Remarks
				per 500	per 1000	per 2000	
1	44211902	Cover-Upper(N)	1	2	4	8	
1	44212002	Cover-Upper(W)	1	2	4	8	
3	44290302	Plate-Logo	1	2	4	8	

Printer Unit

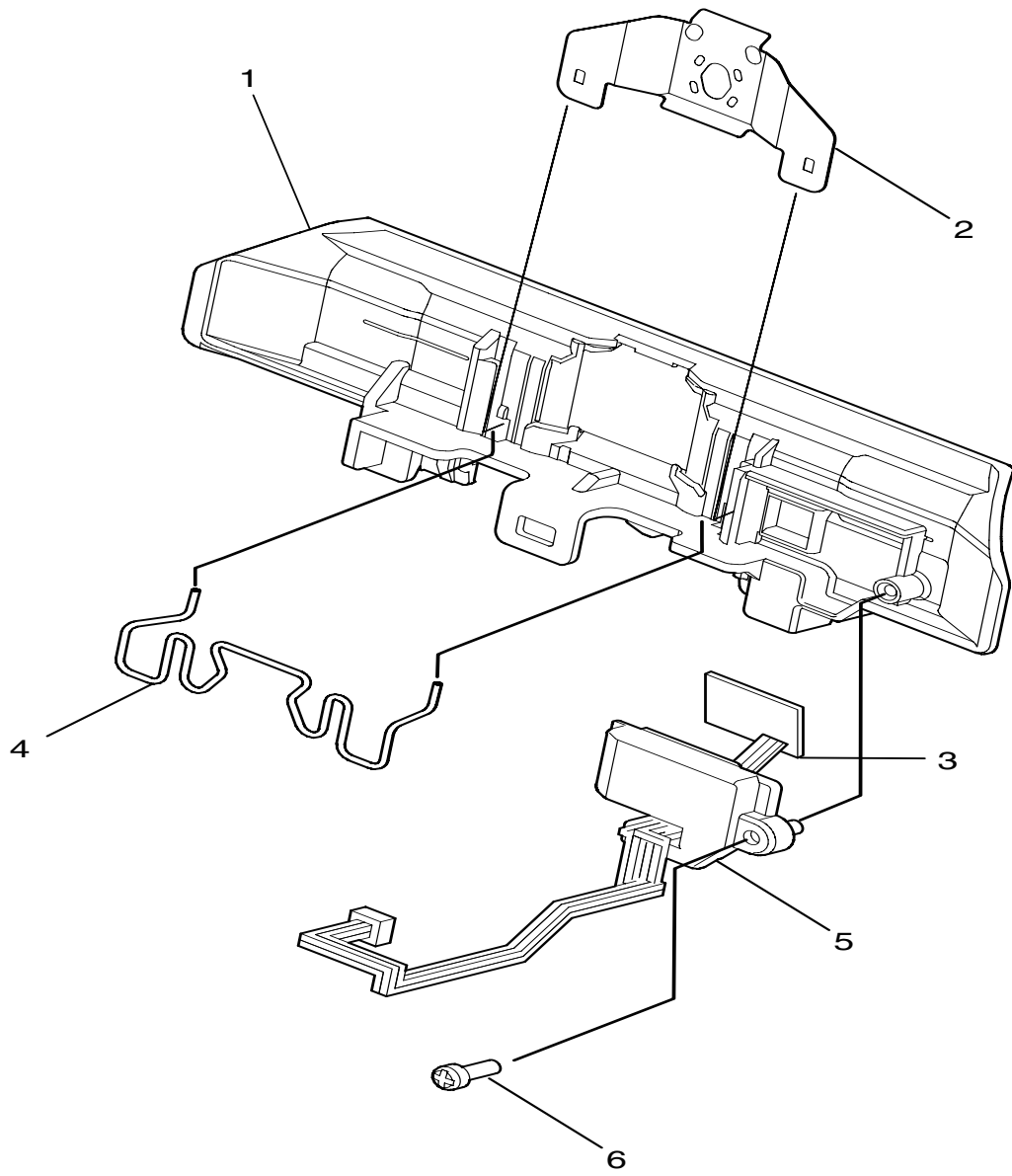


No.	ODA P/N	Part Name	Qty /Unit	Recommended Qty/Year			Remarks
				per	per	per	
				500	1000	2000	
1	44645401	Beam-Rear-(N)	1	2	4	8	
1	44645501	Beam-Rear-(W)	1	2	4	8	
2	44228701	Beam-Guide-(N)	1	2	4	8	
2	44228801	Beam-Guide-(W)	1	2	4	8	
3	44228901	Beam-SP-(N)	1	2	4	8	
3	44229001	Beam-SP-(W)	1	2	4	8	
4	44229101	Frame-Cable-N	1	2	4	8	
4	44229201	Frame-Cable-W	1	2	4	8	
5	44229301	Frame-Side-(L)-Outsert	1	2	4	8	
6	44229501	Frame-Side-(R)-Outsert	1	2	4	8	
7	44229801	Rubber-Damper	4	8	16	32	
8	44627001	Spring-Earth-A	1	2	4	8	
9	44230701	Carriage Assy.-(N)	1	2	4	8	
9	44230901	Carriage Assy.-(W)	1	2	4	8	
10	44232901	Shaft-Carriage-N(10)	1	2	4	8	
10	44233001	Shaft-Carriage-W(14)	1	2	4	8	
11	44233201	Lever-Adjust(HG)	1	2	4	8	
12	44233301	Knob-Adjust-L	1	2	4	8	
13	44233401	Knob-Adjust-R	1	2	4	8	
14	44233501	Bracket-SP-Motor	1	2	4	8	
15	44282301	Motor-Pulse	1	2	4	8	
16	44233601	Pulley-Idle	1	2	4	8	
17	40870601	Bearing	2	4	8	16	
18	44233701	Shaft-Idle-Pulley	1	2	4	8	
19	44233801	Bracket-Pulley-Idle	1	2	4	8	
20	44233901	Spring	1	2	4	8	

No.	ODA P/N	Part Name	Qty /Unit	Recommended Qty/Year			Remarks
				per	per	per	
				500	1000	2000	
21	44234001	Gear-Ribbon-Feed	1	2	4	8	
22	44234201	Ribbon-Feed-Assy.	1	2	4	8	
23	44235301	Lever-Rerease	1	2	4	8	
24	44235601	Shaft-Rerease-Gear	1	2	4	8	
25	44235701	Plate-Change	1	2	4	8	
26	44237001	Gear-Idle-A	3	6	12	24	
27	44629401	Gear-Idle-B	1	2	4	8	
28	44237201	Gear-Idle-C	2	4	8	16	
30	44235802	LF-Motor Assy.-	1	2	4	8	
31	44237401	Leaf-Spring-N	1	2	4	8	
31	44237501	Leaf-Spring-W	1	2	4	8	
32	44237601	Paper-Pan-Assy.-(N)	1	2	4	8	
32	44237701	Paper-Pan-Assy.-(W)	1	2	4	8	
33	44239801	Roller-Feed-Front-(N)	1	2	4	8	
33	44239901	Roller-Feed-Front-(W)	1	2	4	8	
34	44240001	Gear-Feed	1	2	4	8	
35	44240101	Spring-Earth-B	1	2	4	8	
36	44240201	Sheet-Guide-Front-N	1	2	4	8	
36	44240301	Sheet-Guide-Front-W	1	2	4	8	
37	44305501	Spring-Roller-Feed-Front	1	2	4	8	
38	44227201	Platen Assy.-(N)	1	3	6	12	
38	44227301	Platen Assy.-(W)	1	3	6	12	
39	44284101	SNS2-Sensor-Cable	1	2	4	8	
40	44311001	OP-Panel-Cable-20-N(Bending-Figure)	1	2	4	8	
40	44311101	OP-Panel-Cable-20-W(Bending-Figure)	1	2	4	8	
43	44333001	Spring-Earth-Platen-R	1	2	4	8	

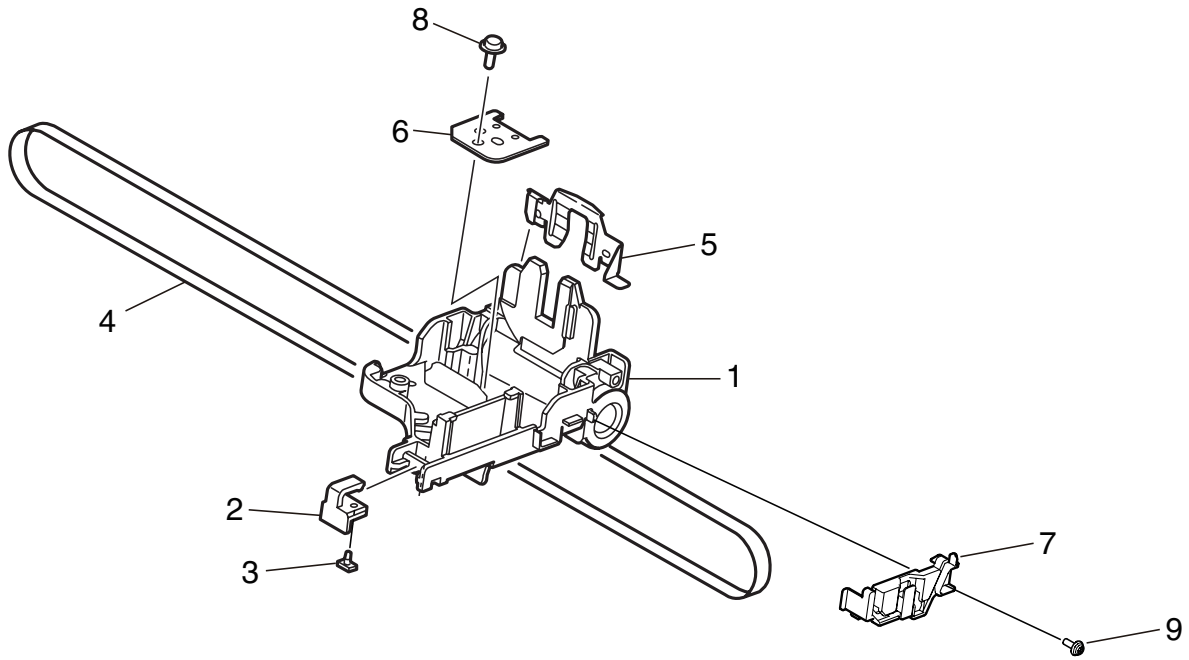
No.	ODA P/N	Part Name	Qty /Unit	Recommended Q'ty/Year			Remarks
				per	per	per	
				500	1000	2000	
44	44637901	Piece-Paper-Pan	2	4	8	16	
46	44449201	Bracket-LF-Ribbon-Feed	1	2	4	8	

Ribbon Protector Assy



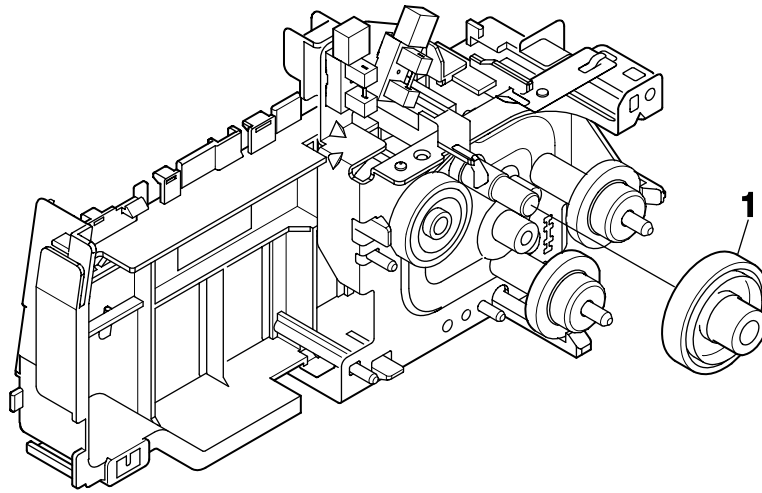
No.	ODA P/N	Part Name	Qty /Unit	Recommended Qty/Year			Remarks
				per 500	per 1000	per 2000	
1	44636901	Bracket-Protector-Ribbon	1	5	10	20	
2	44636801	Protector-Ribbon	1	5	10	20	
3	44491601	Sensor Assy.-PAPER WIDTH	1	2	4	8	
4	44502501	Spring-FG-Protector	1	2	4	8	
5	44472301	Cover-Sensor	1	2	4	8	
6	54148702	Screw	1	2	4	8	

Carriage Assy



No.	ODA P/N	Part Name	Qty /Unit	Recommended Qty/Year			Remarks
				per 500	per 1000	per 2000	
1	44231203	Frame-Carriage	1	2	4	8	
1	44231204	Frame-Carriage	1	2	4	8	
2	44231601	Holder-Slider	1	2	4	8	
3	44282601	Piece-Slider	1	2	4	8	
4	44231701	Belt-SP	1	3	6	12	
4	44231702	Belt-SP	1	3	6	12	
6	44232101	Clamp-Belt	1	2	4	8	
7	44472401	Cover-Sensor-Cable	1	2	4	8	
9	54326608	Screw	1	2	4	8	

LF-Motor Assy



No.	Part No.	Part Name	Q'ty /Unit	Recommended Q'ty/Year			Remarks
				per 500	per 1000	per 2000	
1	44236701	Gear-LF-Idle	1	2	4	8	