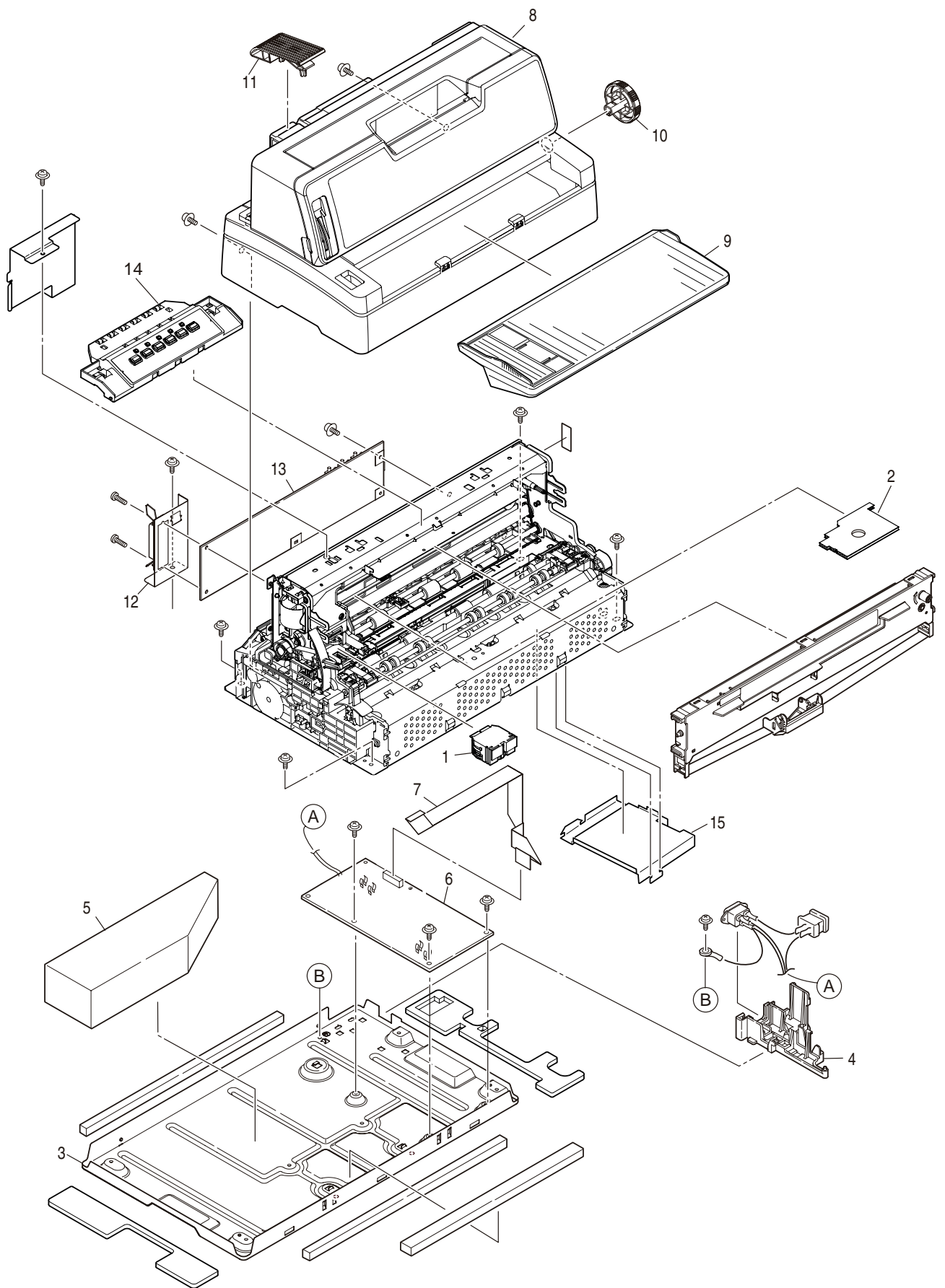


ML6300FB-SC

Spare Parts

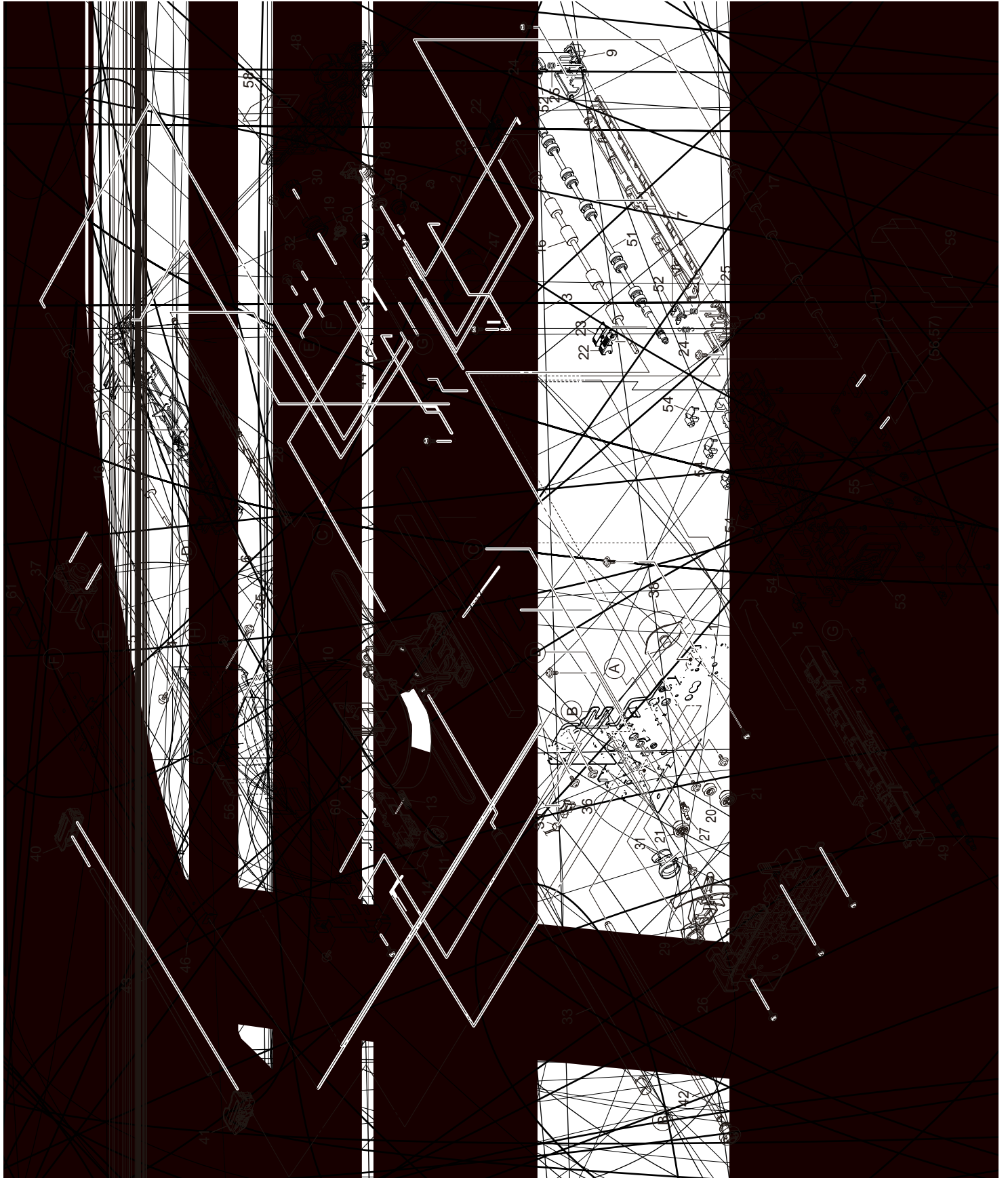
Illustration Manual

022812A



General Assembly Figure

No.	Part No.	Part Name	Q'ty /Unit	Recommended Q'ty/Year			Remarks
				per 500	per 1000	per 2000	
1	42124208	Dot head-24pin	1	9	18	36	
2		Piece_Lock	1	1	1	1	
3		Lower Cover	1	1	1	2	
4		AC-Bracket	1	1	1	1	
5		Foam-Sound proof(cover_Lower)	1	1	1	1	
6		PWR unit-PD621	1	1	1	1	
7	42837701	Pow Cable(16P)Bending Figure	1	1	1	1	
8	43045508	Cover Assy.- Upper_(Attachment)	1	1	1	1	
9	43494402	Stage Assy	1	1	2	3	
10		Platen Knob	1	1	2	3	
11		Sheet-Guide(Tractor)	1	1	1	1	
12		Plate-Shield	1	2	3	5	
13	43683516	OR-NCQ Assy.	1	2	3	5	
14	43047303	OP Panel Assy	1	1	2	4	
15		Film-Guard (SC)	1	1	1	1	

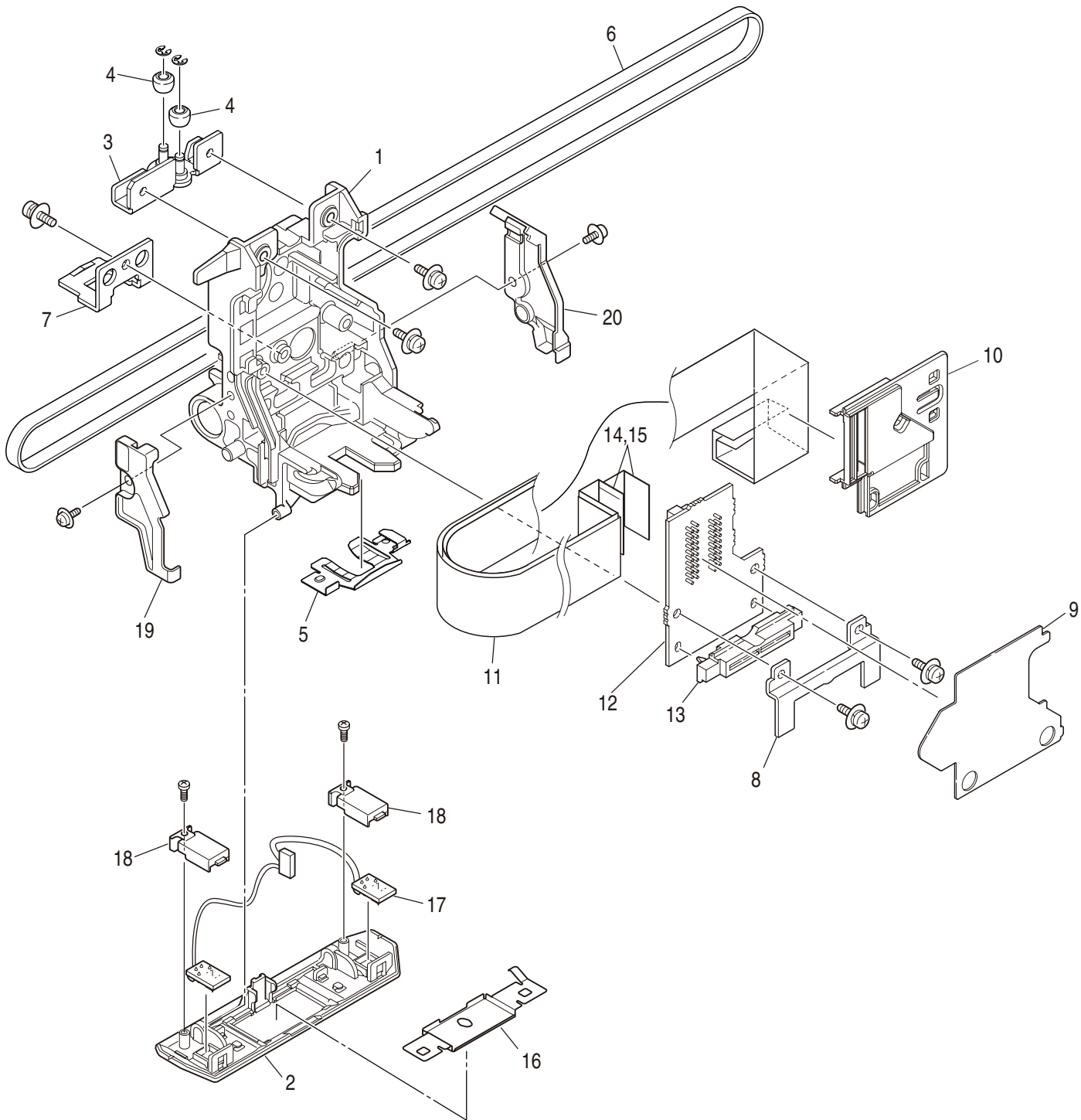


Printer Unit

No.	Part No.	Part Name	Q'ty /Unit	Recommended Q'ty/Year			Remarks
				per	per	per	
				500	1000	2000	
1		Frame-Side(L)	1	1	1	1	
2		Frame-Side(R)	1	1	1	1	
3		Frame_Sheet_Guide_Lower	1	1	1	1	
4		Frame-Space	1	1	1	1	
5		Frame-Guide	1	1	1	1	
6		Sheet-Guide_Upper-Rear	1	1	1	2	
7		Sheet_Guide_Upper_Front_C	1	1	1	2	
8		Sheet_Guide_Upper_Front_L	1	1	1	2	
9		Sheet_Guide_Upper_Front_R	1	1	1	2	
10	42996303	Carriage Assy	1	1	2	4	
11		Idle Roller	1	1	1	2	
12		Holder_idle Roller	1	1	1	2	
13	42643001	Spring_Compression(idle Roller)	1	1	1	1	
14		Pin(Idle Roller)	1	1	1	1	
15	42643401	Platen Assy	1	5	10	19	
16		Roller-Feed-A	2	4	7	13	
17		Roller-Feed-B	1	2	4	7	
18	42644101	LF Bush(A)	1	1	2	3	
19	42644301	LF Bush(B)	1	1	2	3	
20	42644401	LF Gear A	1	1	2	3	
21	42644701	LF Gear B	2	1	2	3	
22	43022401	Pressure_Piece-A	2	1	2	3	
23	43022501	Pressure_Piece-B	2	1	2	3	
24	43024001	Spring(Front)A	2	1	2	3	
25	43024201	Spring-Front-B	2	1	2	3	
26	42645203	LF_Unit Assy	1	1	2	3	

No.	Part No.	Part Name	Q'ty /Unit	Recommended Q'ty/Year			Remarks
				per	per	per	
				500	1000	2000	
27	42647101	Change-Piece	1	1	1	2	
28		Blade-Shaft	1	1	1	2	
29		Lever-Adjust	1	1	1	2	
30		Adjust-piace-R	1	1	1	2	
31		Knob-Adjust-L	1	1	1	2	
32		Knob-Adjust-R	1	1	1	2	
33		Shaft_Carriage	1	1	2	3	
34	43537101	Sensor Assy	1	1	2	3	
35	42648301	Ribbon-Feed-Assy	1	1	2	3	
36		Photo-Interrupter	1	1	1	1	
37	43286501	Motor-Pulse(SP)	1	1	2	4	
38	43039401	Motor-LF	1	1	2	4	
39		CONN Cord-Wire Home Sensor	1	1	1	1	
40	42427901	Tractor_Unit(L)	1	1	2	3	
41	42428101	Tractor_Unit(R)	1	1	2	3	
42		Tractor Shaft	1	1	2	3	
43		Lock-Shaft	1	1	1	1	
44	43533001	Spring_Wire	1	1	1	1	
45		Knob-Piece	1	1	2	3	
46		Support_Frame	1	1	2	3	
47		Motor-FR	1	1	2	3	
48		Gear-Frame Assy	1	1	2	3	
49		Cam-Shaft	1	1	2	3	
50	43023001	Cam_Gear	2	1	2	3	
51		Skew-Roller-Shaft-ass	1	1	2	3	
52		Shaft_Support	2	1	1	1	

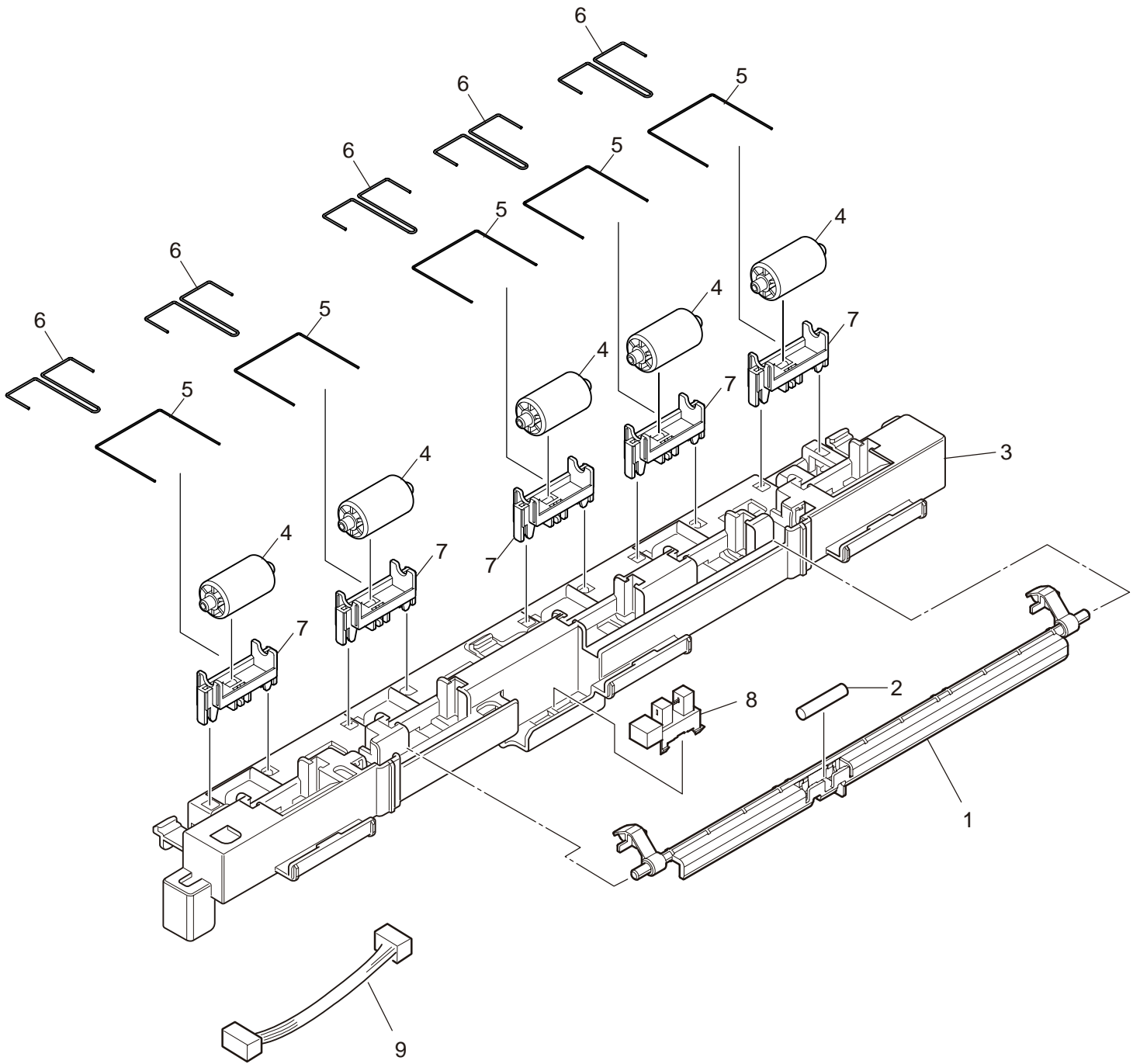
No.	Part No.	Part Name	Q'ty /Unit	Recommended Q'ty/Year			Remarks
				per	per	per	
				500	1000	2000	
53	43492701	Sensor_SC_Assy	1	1	1	1	
54	43493501	Sensor_Lever_Ass	7	1	1	1	
55	43546502	OR-NSM Assy.	1	1	1	1	
56		Cord-14P Bendig	1	1	1	1	
57		Cord-16P Bending	1	1	1	1	
58		Cable_Protection_Seat	1	1	1	1	
59		Film-Cable	1	1	1	1	
60		Film-Spacer	1	1	1	1	
61		Film-Guard-Code	1	1	1	1	



Carriage Assy

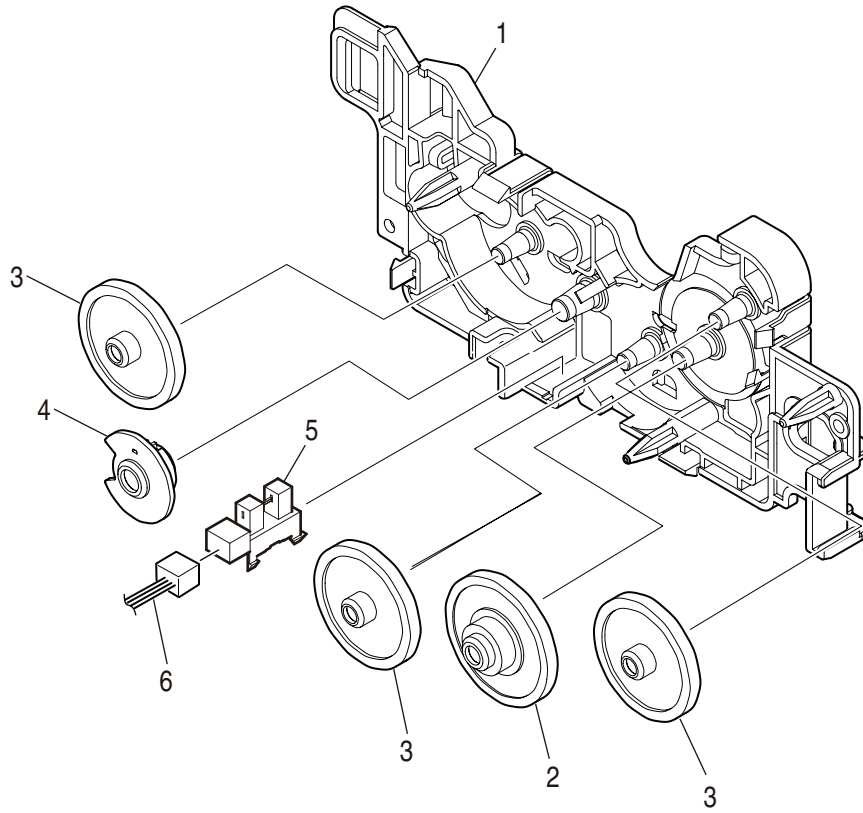
No.	Part No.	Part Name	Q'ty /Unit	Recommended Q'ty/Year			Remarks
				per	per	per	
				500	1000	2000	
1		Carriage-Frame-Assy	1	1	1	2	
2	43022101	Bracket_Protector-Ribbon	1	4	7	13	
3	43044801	Plate-Guide-Roller-Caulking	1	1	2	3	
4		GUIDE ROLLER (PP4053-1315P001)	2	1	2	3	
5		Clamp-Head	1	1	1	1	
6		Mini Pitch Belt	1	1	2	4	
7		Clamp-Belt	1	1	1	1	
8		Holder-Connector	1	1	1	1	
9		Cover-Board	1	1	1	1	
10		Guide_Cable	1	1	1	1	
11		Film-Guide	1	1	1	1	
12	43128804	OR-NKY Assy.	1	1	1	1	
13	56719201	36/40 CONNECTOR (PB4025-1241P001)	1	1	1	1	
14	42837501	Head Cable(20P)Bending Figure	1	2	4	8	
15	42837601	Head Cable(18P)Bending Figure	1	2	4	8	
16	43024301	Protector-Ribbon	1	4	7	13	
17	43528101	Sensor Assy.-	1	1	1	1	
18		Cover_Sensor	2	1	1	1	
19		Guide_Cable_L	1	1	1	1	
20		Guide_Cable_R	1	1	1	1	

No.	Part No.	Part Name	Q'ty /Unit	Recommended Q'ty/Year			Remarks
				per	per	per	
				500	1000	2000	
1		Plate_LF	1	1	2	3	
2	42645401	Idle Gear A	1	1	2	3	
3	42645501	Idle Gear B	1	1	2	3	
4	43048401	Idle-Gear-C-360	1	1	2	3	
5	42645701	Change Gear	1	1	2	3	
6		Spring_Compression(Tractor Change)	1	1	1	1	
7		Change_Lever	1	1	1	1	
8		Change-Bar	1	1	1	1	
9		Photo-Interrupter	2	1	1	1	
10		CONN Cord-mode/gap	1	1	1	1	
11	42836601	Piece-Change-Lever	1	1	1	2	
12	42836901	Spring-Compression(Lever)	1	1	1	1	



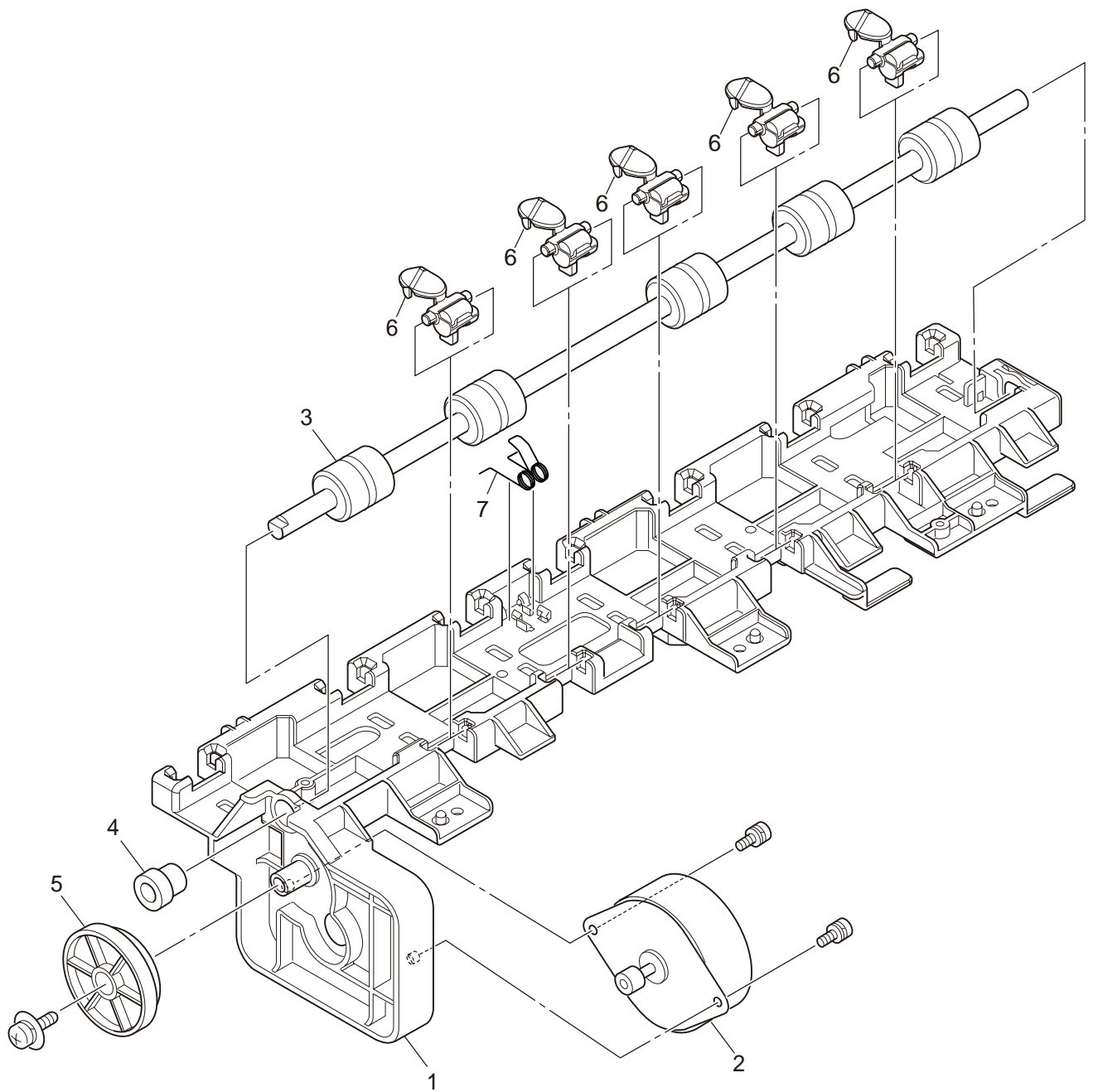
Sensor Assy

No.	Part No.	Part Name	Q'ty /Unit	Recommended Q'ty/Year			Remarks
				per	per	per	
				500	1000	2000	
1	44066501	Sensor-Arm(A)	1	1	1	2	
2		Weight_Sensor_Arm	1	1	1	1	
3		Sensor_Holder_PE	1	1	1	1	
4		Idle_Roller	5	1	1	1	
5	43023901	Spring-Rear	5	1	2	3	
6	43052401	Spring-Rear(B)	5	1	1	2	
7		Pressure_Piece	5	1	1	1	
8	40135301	Photo-Interrupter	1	1	1	1	
9		CONN Cord-Wire PE	1	1	1	2	



Gear Frame Assy

No.	Part No.	Part Name	Q'ty /Unit	Recommended Q'ty/Year			Remarks
				per 500	per 1000	per 2000	
1		Gear-Frame	1	1	2	4	
2	43022801	Idle-Gear-A	1	1	2	3	
3	43022901	Idle-Gear-B	3	1	2	3	
4	43523401	Gear_Slit	1	1	1	1	
5	40135301	Photo-Interrupter	1	1	1	1	
6	43021601	CONN Cord-FR posi	1	1	2	3	



Sensor SC Assy

No.	Part No.	Part Name	Q'ty /Unit	Recommended Q'ty/Year			Remarks
				per	per	per	
				500	1000	2000	
1		Sensor_Holder_SC	1	1	1	1	
2	43039302	Motor-FR	1	1	1	1	
3		Skew_Roller_L	1	2	4	8	
4	43493301	Gear_Drive	1	1	1	1	
5	43493401	Gear_Idle	1	1	1	1	
6		Sensor_Lever_Ass	5	1	1	1	
7		Spring-Torsion	1	1	1	1	