

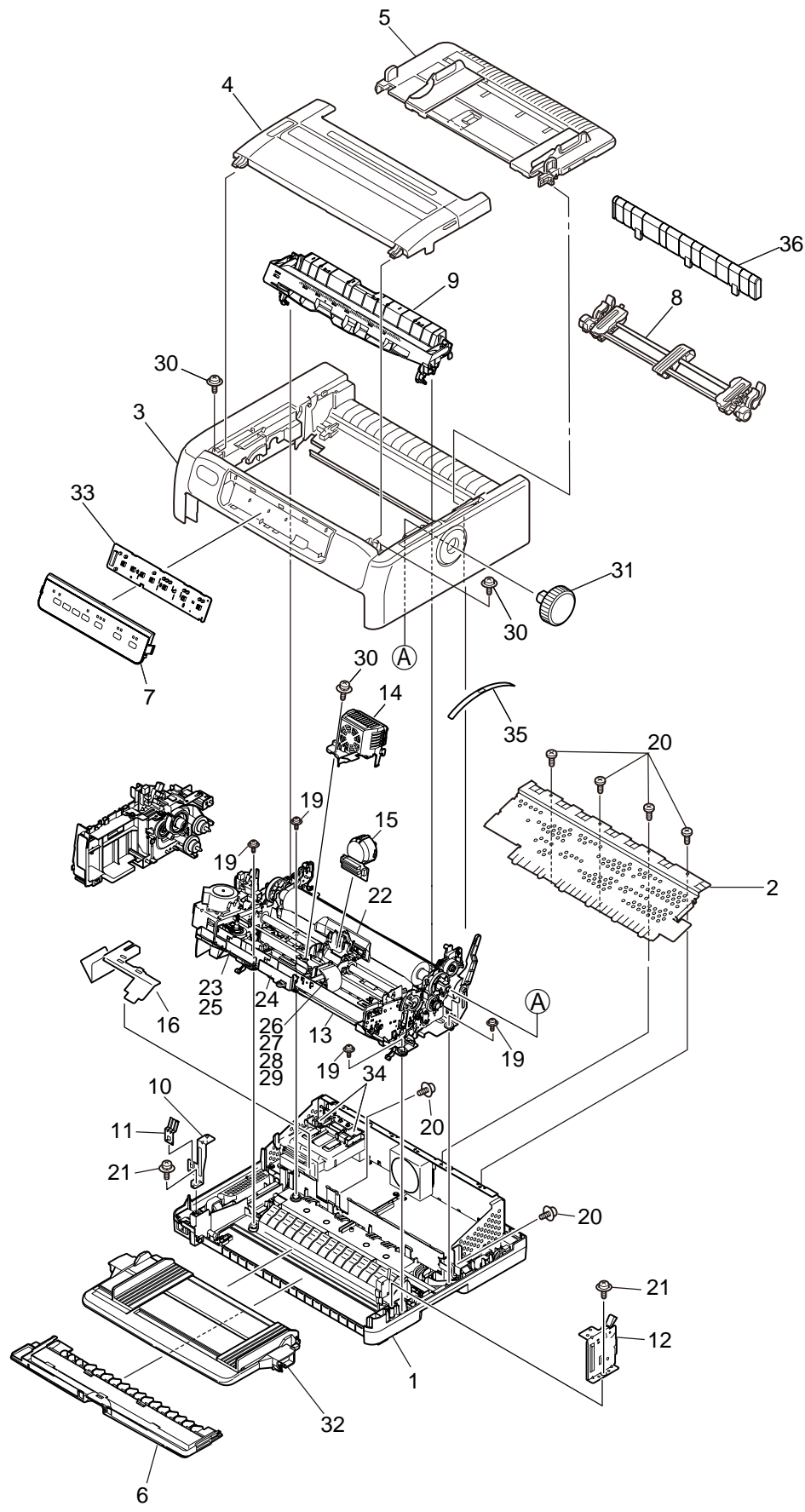
# ML620/ML621

## Spare Parts

# Illustration Manual

032613B

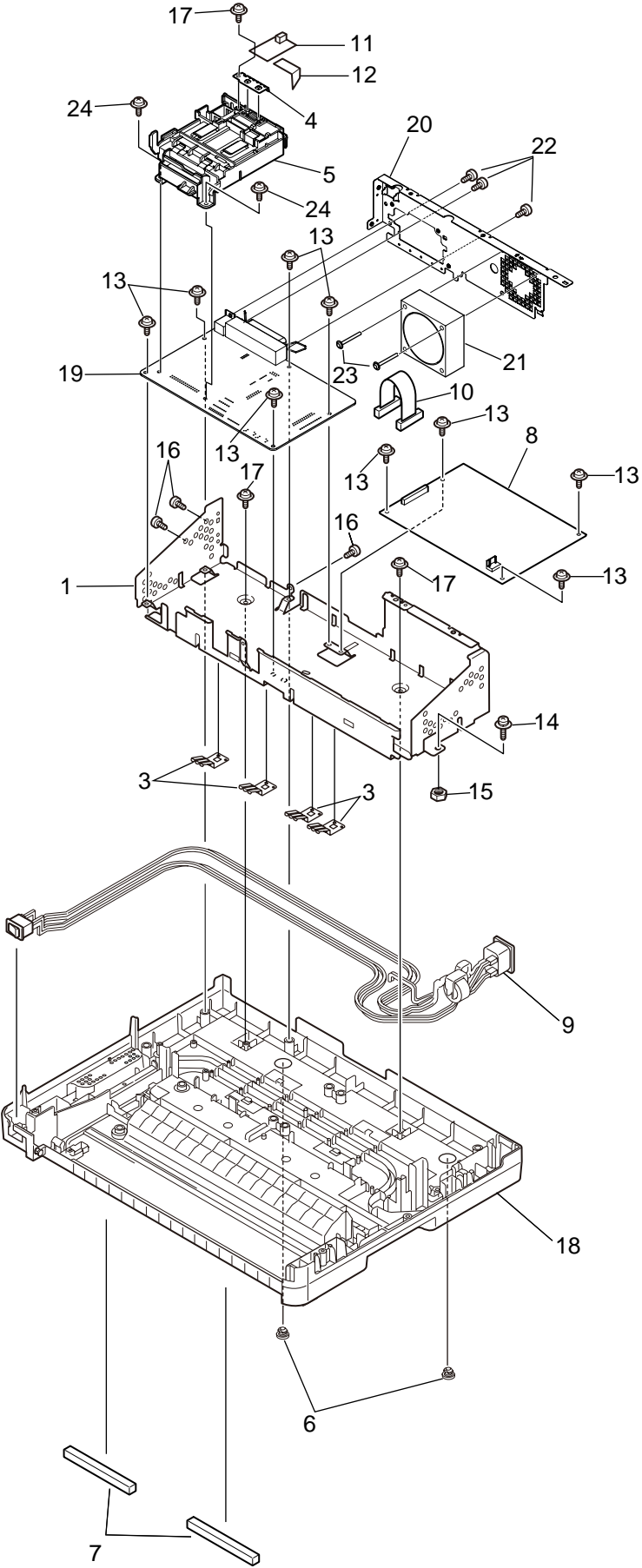
# Printer General Assy



| No. | Part No. | Part Name                          | Q'ty /Unit | Recommended Q'ty/Year |          |          | Remarks |
|-----|----------|------------------------------------|------------|-----------------------|----------|----------|---------|
|     |          |                                    |            | per 500               | per 1000 | per 2000 |         |
| 1   | 44210301 | Cover Assy.-Lower(N9)              | 1          | 2                     | 4        | 8        | ML620   |
| 1   | 44210401 | Cover Assy.-Lower(W9)              | 1          | 2                     | 4        | 8        | ML621   |
| 2   |          | Plate-Shield-Upper                 | 1          | 2                     | 4        | 8        |         |
| 3   |          | Cover Assy.-Upper(N)Sticking       | 1          | 2                     | 4        | 8        | ML620   |
| 3   |          | Cover Assy.-Upper(W)Sticking       | 1          | 2                     | 4        | 8        | ML621   |
| 4   | 44212202 | Cover Assy.-Access                 | 1          | 2                     | 4        | 8        | ML620   |
| 4   | 44212302 | Cover Assy.-Access(W)Sticking      | 1          | 2                     | 4        | 8        | ML621   |
| 5   |          | Sheet-Guide-Assy.(N)Rear           | 1          | 2                     | 4        | 8        | ML620   |
| 5   |          | Sheet-Guide-Assy(W)Rear            | 1          | 2                     | 4        | 8        | ML621   |
| 6   | 44213901 | Cover-Front(N).-Assy               | 1          | 2                     | 4        | 8        | ML620   |
| 6   | 44214101 | Cover-Front(W).Assy                | 1          | 2                     | 4        | 8        | ML621   |
| 7   | 44216001 | OP Panel Assy.-ML620               | 1          | 2                     | 4        | 8        | ML620   |
| 7   | 44216002 | OP Panel Assy.-ML621               | 1          | 2                     | 4        | 8        | ML621   |
| 8   | 44215701 | Tractor-Assy(N)                    | 1          | 2                     | 4        | 8        | ML620   |
| 8   | 44215901 | Tractor-Assy(W)                    | 1          | 2                     | 4        | 8        | ML621   |
| 9   |          | Roller-Pull-Up-Unit-(N)            | 1          | 2                     | 4        | 8        | ML620   |
| 9   |          | Roller-Pull-Up-unit-(W)            | 1          | 2                     | 4        | 8        | ML621   |
| 10  |          | Bracket-Side-L                     | 1          | 2                     | 4        | 8        |         |
| 11  |          | Plate-FG                           | 1          | 2                     | 4        | 8        |         |
| 12  | 44315001 | Cover-Open-Assy                    | 1          | 2                     | 4        | 8        | ML620   |
| 12  | 44315002 | Cover-Open-Assy                    | 1          | 2                     | 4        | 8        | ML621   |
| 13  |          | Printer Unit-(N9)                  | 1          | -                     | -        | -        | ML620   |
| 13  |          | Printer Unit-(W9)                  | 1          | -                     | -        | -        | ML621   |
| 14  |          | Cover-Fan                          | 1          | 2                     | 4        | 8        |         |
| 14  |          | Cover-Fan-Assy.                    | 1          | 2                     | 4        | 8        |         |
| 15  | 44159002 | 18pin-Dot-Head-Specification(500R) | 1          | 10                    | 20       | 40       |         |
| 16  |          | Film-Harness                       | 1          | 2                     | 4        | 8        |         |
| 16  |          | Film-Harness                       | 1          | 2                     | 4        | 8        |         |
| 17  |          | Pull-Tractor-Attaachment-L         | 1          | 2                     | 4        | 8        |         |
| 18  |          | Pull-Tractor-Attaachment-R         | 1          | 2                     | 4        | 8        |         |
| 19  |          | Screw-Tap-Tight                    | 4          | -                     | -        | -        |         |
| 20  |          | Cup Screw A                        | 6          | -                     | -        | -        |         |
| 21  |          | TappingScrew-B2 L=8                | 2          | -                     | -        | -        |         |
| 22  | 44314701 | Protector-Ribbon-Assy              | 1          | 5                     | 10       | 20       |         |
| 23  | 44232201 | Clamp-Home-Sensor                  | 1          | 2                     | 4        | 8        |         |
| 24  | 44232301 | Clamp-Head-Cable                   | 1          | 2                     | 4        | 8        |         |
| 25  |          | GP1A173LCS2F                       | 1          | 5                     | 10       | 20       |         |
| 26  | 44311201 | Head-Cord-15-N                     | 1          | 5                     | 10       | 20       | ML620   |

| No. | Part No. | Part Name                  | Q'ty /Unit | Recommended Q'ty/Year |          |          | Remarks |
|-----|----------|----------------------------|------------|-----------------------|----------|----------|---------|
|     |          |                            |            | per 500               | per 1000 | per 2000 |         |
| 26  | 44311301 | Head-Cord-15-W             | 1          | 5                     | 10       | 20       | ML621   |
| 27  | 44311601 | Head-Cord-23-N             | 1          | 5                     | 10       | 20       | ML620   |
| 27  | 44311701 | Head-Cord-23-W             | 1          | 5                     | 10       | 20       | ML621   |
| 28  | 44232601 | Film-Guide-Head-Cable      | 1          | 2                     | 4        | 8        | ML620   |
| 28  | 44232602 | Film-Guide-Head-Cable      | 1          | 2                     | 4        | 8        | ML621   |
| 29  |          | Film-Guide-Head-Cable-Low  | 1          | 2                     | 4        | 8        |         |
| 30  |          | Screw                      | 3          | -                     | -        | -        |         |
| 31  | 44227601 | Knob-Platen                | 1          | 2                     | 4        | 8        |         |
| 32  |          | Sheet-Guide-Assy.Front(N)  | 1          | 2                     | 4        | 8        | ML620   |
| 32  |          | Sheet-Guide-Assy.-Front(W) | 1          | 2                     | 4        | 8        | ML621   |
| 33  | 44332001 | OR-Board Assy-OP1          | 1          | 2                     | 4        | 8        |         |
| 34  |          | FSRC410150RN000T           | 2          | 4                     | 8        | 16       |         |
| 35  |          | Film-Cover                 | 1          | 2                     | 4        | 8        |         |
| 36  |          | Guide-Pull-Up(N)           | 1          | 2                     | 4        | 8        | ML620   |
| 36  |          | Guide-Pull-Up(W)           | 1          | 2                     | 4        | 8        | ML621   |

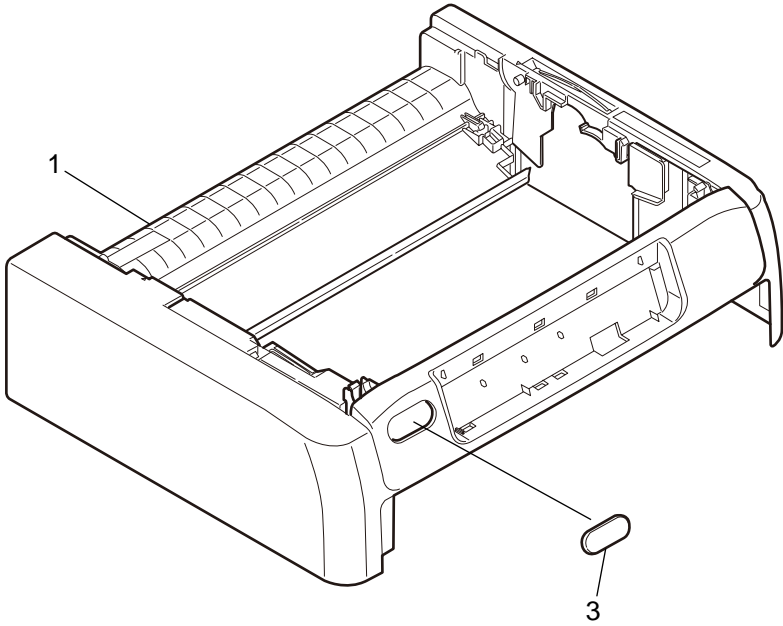
# Lower Cover Assy



| No. | Part No. | Part Name                        | Q'ty /Unit | Recommended Q'ty/Year |          |          | Special |
|-----|----------|----------------------------------|------------|-----------------------|----------|----------|---------|
|     |          |                                  |            | per 500               | per 1000 | per 2000 |         |
| 1   |          | Plate-Shield-Lower               | 1          | 2                     | 4        | 8        |         |
| 2   |          | Shield-PCB-Assy                  | 1          | 2                     | 4        | 8        | ML620   |
| 2   |          | Shield-PCB-Assy                  | 1          | 2                     | 4        | 8        | ML621   |
| 3   |          | Plate-FG                         | 4          | 8                     | 16       | 32       |         |
| 4   |          | Plate-FG-PCB                     | 1          | 2                     | 4        | 8        |         |
| 5   |          | Plate-PCB                        | 1          | 2                     | 4        | 8        |         |
| 6   |          | Rubber leg                       | 2          | 4                     | 8        | 16       |         |
| 7   |          | Rubber-Leg(N)                    | 1          | 2                     | 4        | 8        | ML620   |
| 7   |          | Rubber-Leg(W)                    | 1          | 2                     | 4        | 8        | ML621   |
| 7   |          | Rubber-leg                       | 2          | 4                     | 8        | 16       |         |
| 8   | 44495701 | PWR unit(Spare Parts 100V)       | 1          | 5                     | 10       | 20       | 120V    |
| 8   | 44495702 | PWR unit(Spare Parts 200V)       | 1          | 5                     | 10       | 20       | 230V    |
| 9   | 44204201 | Power Cable Assy                 | 1          | 2                     | 4        | 8        | ML620   |
| 9   | 44204202 | Power Cable Assy                 | 1          | 2                     | 4        | 8        | ML621   |
| 10  | 44164801 | CONN Cord-Wire-PWR unit          | 1          | 2                     | 4        | 8        |         |
| 11  | 44331901 | OR-Board Assy-ACF                | 1          | 2                     | 4        | 8        |         |
| 12  |          | CSF-Cable(Bending-Figure)        | 1          | 2                     | 4        | 8        |         |
| 13  |          | Screw                            | 9          | -                     | -        | -        |         |
| 14  |          | Screw                            | 1          | -                     | -        | -        |         |
| 15  |          | Nut                              | 1          | -                     | -        | -        |         |
| 16  |          | Cup Screw A                      | 3          | -                     | -        | -        |         |
| 17  |          | TappingScrew-B2 L=8              | 5          | -                     | -        | -        |         |
| 18  |          | Cover-Lower(N)                   | 1          | 2                     | 4        | 8        | ML620   |
| 18  |          | Cover-Lower(W)                   | 1          | 2                     | 4        | 8        | ML621   |
| 19  | 44497001 | MBB- PCB Assy. maintenance Spec. | 1          | 5                     | 10       | 20       | ODA     |
| 20  |          | Plate-Shield-PCB                 | 1          | 2                     | 4        | 8        |         |
| 21  |          | 2410ML-01W-B49-B01               | 1          | 2                     | 4        | 8        |         |
| 22  |          | Screw                            | 3          | -                     | -        | -        |         |
| 23  |          | Screw                            | 2          | -                     | -        | -        |         |



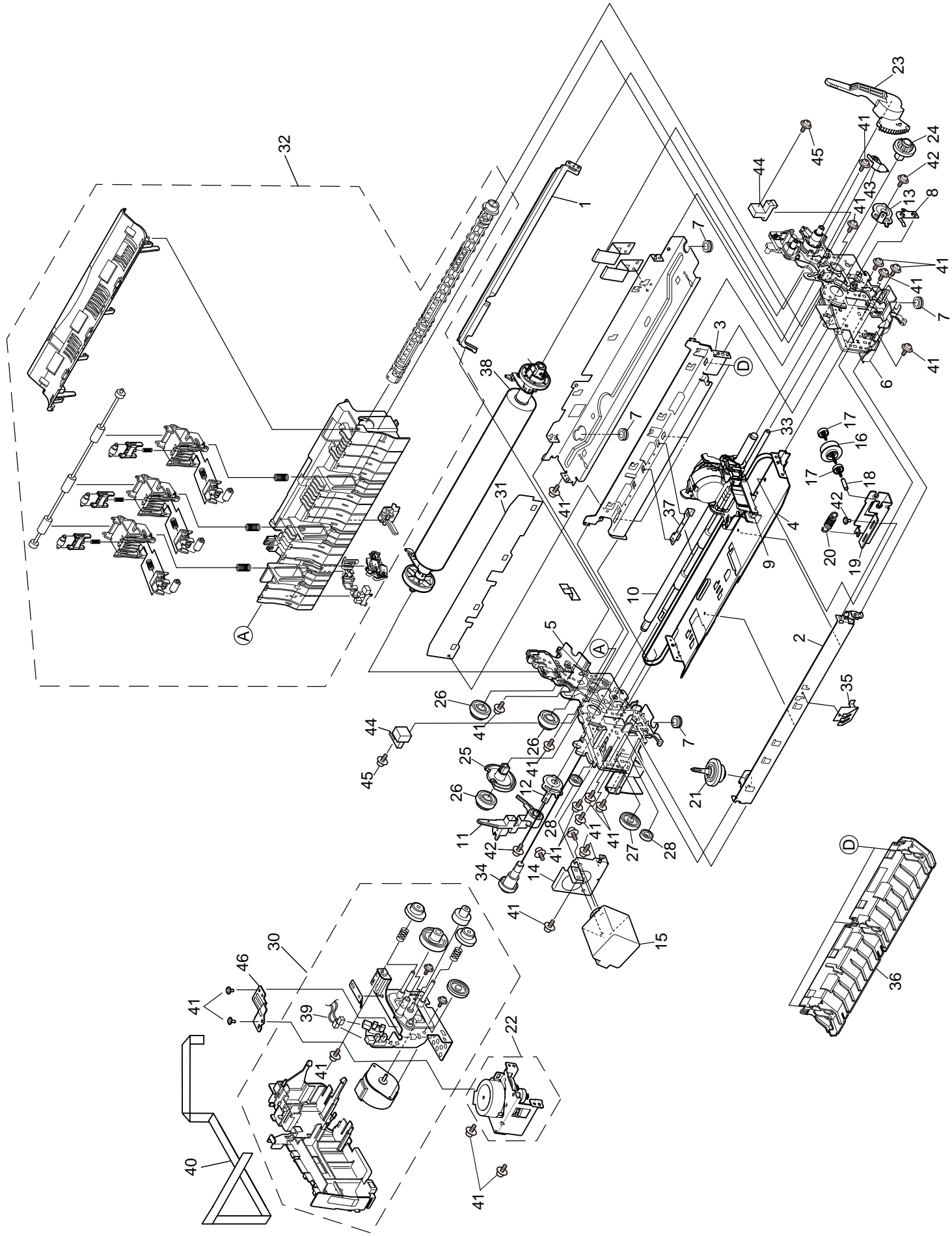
# Upper Cover Assy



| No. | Part No. | Part Name      | Q'ty /Unit | Recommended Q'ty/Year |          |          | Special |
|-----|----------|----------------|------------|-----------------------|----------|----------|---------|
|     |          |                |            | per 500               | per 1000 | per 2000 |         |
| 1   |          | Cover-Upper(N) | 1          | 2                     | 4        | 8        | ML620   |
| 1   |          | Cover-Upper(W) | 1          | 2                     | 4        | 8        | ML621   |
| 2   |          | Film-Cover     | 1          | 2                     | 4        | 8        |         |
| 3   |          | Plate-Logo     | 1          | 2                     | 4        | 8        |         |
| 3   |          | Plate-Logo     | 1          | 2                     | 4        | 8        |         |



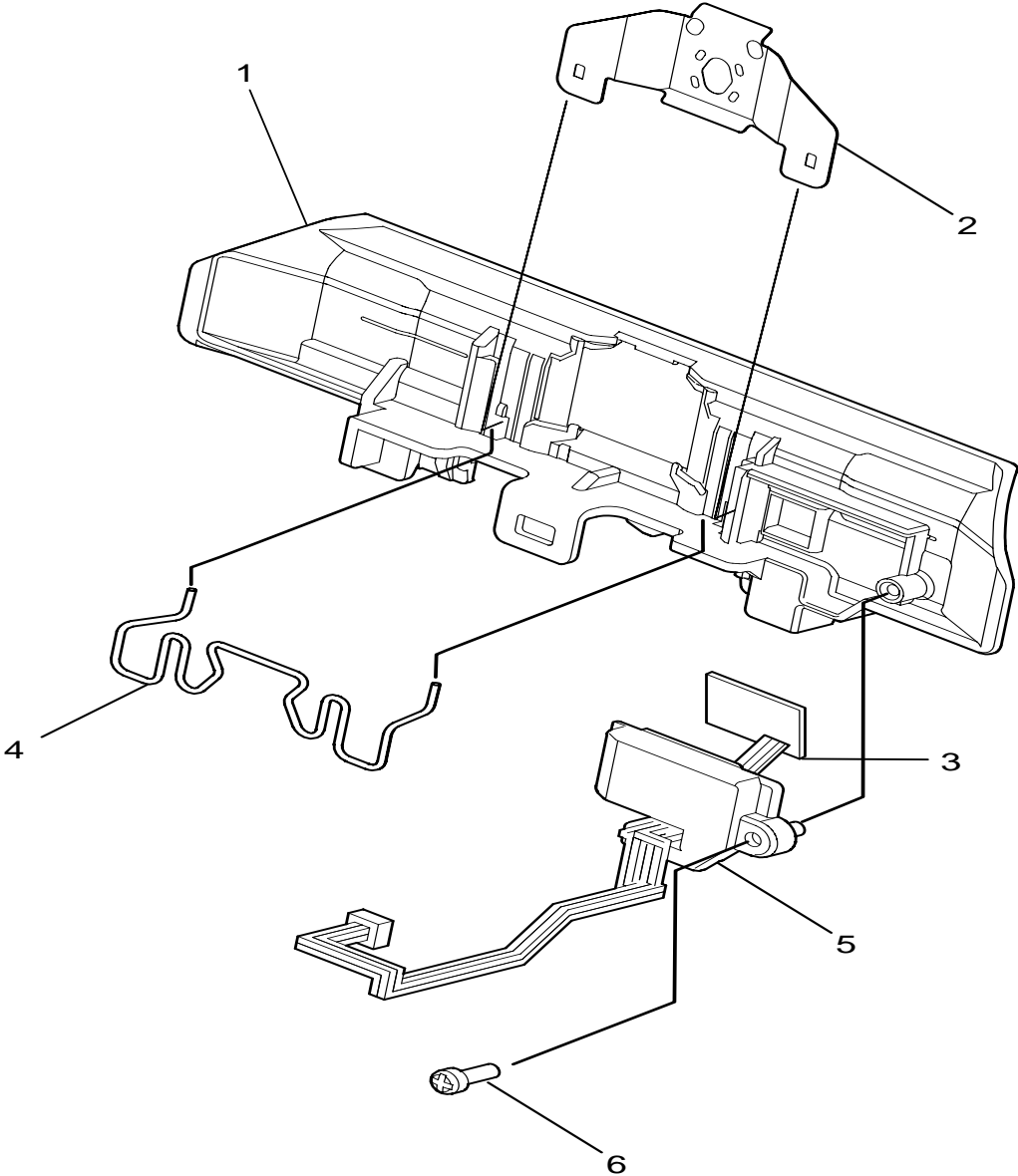
# Printer Unit



| No. | Part No. | Part Name              | Q'ty /Unit | Recommended Q'ty/Year |          |          | Special |
|-----|----------|------------------------|------------|-----------------------|----------|----------|---------|
|     |          |                        |            | per 500               | per 1000 | per 2000 |         |
| 1   |          | Beam-Rear-(N)          | 1          | -                     | -        | -        | ML620   |
| 1   |          | Beam-Rear-(N)          | 1          | -                     | -        | -        |         |
| 1   |          | Beam-Rear-(W)          | 1          | -                     | -        | -        | ML621   |
| 1   |          | Beam-Rear-(W)          | 1          | -                     | -        | -        |         |
| 2   |          | Beam-Guide-(N)         | 1          | -                     | -        | -        | ML620   |
| 2   |          | Beam-Guide-(W)         | 1          | -                     | -        | -        | ML621   |
| 3   |          | Beam-SP-(N)            | 1          | -                     | -        | -        | ML620   |
| 3   |          | Beam-SP-(W)            | 1          | -                     | -        | -        | ML621   |
| 4   |          | Frame-Cable-N          | 1          | -                     | -        | -        | ML620   |
| 4   |          | Frame-Cable-W          | 1          | -                     | -        | -        | ML621   |
| 5   |          | Frame-Side-(L)-Outsert | 1          | -                     | -        | -        |         |
| 6   |          | Frame-Side-(R)-Outsert | 1          | -                     | -        | -        |         |
| 7   |          | Rubber-Damper          | 4          | 8                     | 16       | 32       |         |
| 8   |          | Earth-Spring-A         | 1          | 2                     | 4        | 8        |         |
| 8   |          | Spring-Earth-A         | 1          | 2                     | 4        | 8        |         |
| 9   | 44230701 | Carriage Assy.-(N)     | 1          | 2                     | 4        | 8        | ML620   |
| 9   | 44230901 | Carriage Assy.-(W)     | 1          | 2                     | 4        | 8        | ML621   |
| 10  |          | Shaft-Carriage-N(10)   | 1          | 2                     | 4        | 8        | ML620   |
| 10  |          | Shaft-Carriage-W(14)   | 1          | 2                     | 4        | 8        | ML621   |
| 11  |          | Lever-Adjust(HG)       | 1          | 2                     | 4        | 8        |         |
| 12  | 44233301 | Knob-Adjust-L          | 1          | 2                     | 4        | 8        |         |
| 13  | 44233401 | Knob-Adjust-R          | 1          | 2                     | 4        | 8        |         |
| 14  |          | Bracket-SP-Motor       | 1          | 2                     | 4        | 8        |         |
| 15  | 44282301 | Motor-Pulse            | 1          | 2                     | 4        | 8        |         |
| 16  |          | Pulley-Idle            | 1          | 2                     | 4        | 8        |         |
| 17  | 40870601 | Bearing                | 2          | 4                     | 8        | 16       |         |
| 18  |          | Shaft-Idle-Pulley      | 1          | 2                     | 4        | 8        |         |
| 19  |          | Bracket-Pulley-Idle    | 1          | 2                     | 4        | 8        |         |
| 20  |          | Spring                 | 1          | 2                     | 4        | 8        |         |
| 21  | 44234001 | Gear-Ribbon-Feed       | 1          | 2                     | 4        | 8        |         |
| 22  | 44234201 | Ribbon-Feed-Assy.      | 1          | 2                     | 4        | 8        |         |
| 23  | 44235301 | Lever-Rerease          | 1          | 2                     | 4        | 8        |         |
| 24  |          | Shaft-Rerease-Gear     | 1          | 2                     | 4        | 8        |         |
| 25  |          | Plate-Change           | 1          | 2                     | 4        | 8        |         |
| 26  | 44237001 | Gear-Idle-A            | 3          | 6                     | 12       | 24       |         |
| 27  |          | Gear-Idle-B            | 1          | 2                     | 4        | 8        |         |
| 27  | 44629401 | Gear-Idle-B            | 1          | 2                     | 4        | 8        |         |
| 28  | 44237201 | Gear-Idle-C            | 2          | 4                     | 8        | 16       |         |
| 29  |          | Gear-Idle-D            | 1          | 2                     | 4        | 8        |         |
| 30  | 44235801 | LF-Motor Assy.-        | 1          | 2                     | 4        | 8        |         |
| 31  | 44237401 | Leaf-Spring-N          | 1          | 2                     | 4        | 8        | ML620   |
| 31  | 44237501 | Leaf-Spring-W          | 1          | 2                     | 4        | 8        | ML621   |
| 32  | 44237601 | Paper-Pan-Assy.-(N)    | 1          | 2                     | 4        | 8        | ML620   |
| 32  | 44237701 | Paper-Pan-Assy.-(W)    | 1          | 2                     | 4        | 8        | ML621   |
| 33  | 44239801 | Roller-Feed-Front-(N)  | 1          | 2                     | 4        | 8        | ML620   |
| 33  | 44239901 | Roller-Feed-Front-(W)  | 1          | 2                     | 4        | 8        | ML621   |
| 34  | 44240001 | Gear-Feed              | 1          | 2                     | 4        | 8        |         |
| 35  |          | Spring-Earth-B         | 1          | 2                     | 4        | 8        |         |

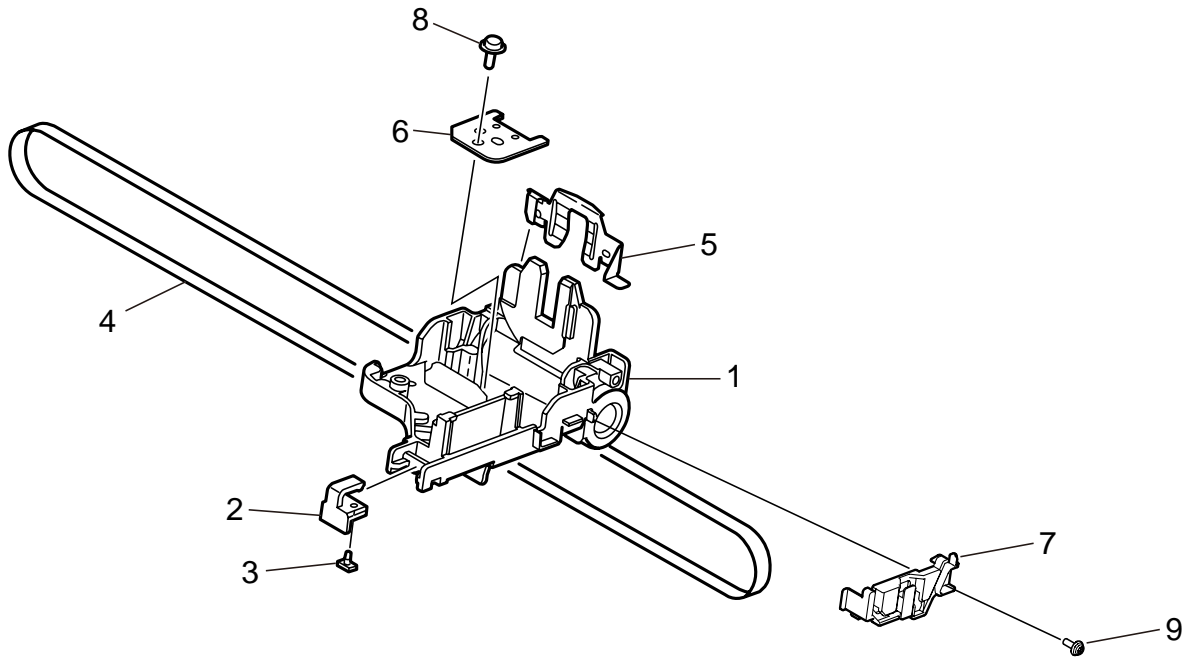
| No. | Part No. | Part Name                           | Q'ty /Unit | Recommended Q'ty/Year |          |          | Special |
|-----|----------|-------------------------------------|------------|-----------------------|----------|----------|---------|
|     |          |                                     |            | per 500               | per 1000 | per 2000 |         |
| 36  |          | Sheet-Guide-Front-N                 | 1          | 2                     | 4        | 8        | ML620   |
| 36  |          | Sheet-Guide-Front-W                 | 1          | 2                     | 4        | 8        | ML621   |
| 37  |          | Spring-Roller-Feed-Front            | 1          | 2                     | 4        | 8        |         |
| 38  | 44227201 | Platen Assy.-(N)                    | 1          | 3                     | 6        | 12       | ML620   |
| 38  | 44227301 | Platen Assy.-(W)                    | 1          | 3                     | 6        | 12       | ML621   |
| 39  | 44284101 | SNS2-Sensor-Cable                   | 1          | 2                     | 4        | 8        |         |
| 40  | 44311001 | OP-Panel-Cable-20-N(Bending-Figure) | 1          | 2                     | 4        | 8        | ML620   |
| 40  | 44311101 | OP-Panel-Cable-20-W(Bending-Figure) | 1          | 2                     | 4        | 8        | ML621   |
| 41  |          | Cup Screw A                         | 22         | -                     | -        | -        |         |
| 42  |          | Screw                               | 3          | -                     | -        | -        |         |
| 43  |          | Spring-Earth-Platen-R               | 1          | 2                     | 4        | 8        |         |
| 44  |          | Piece-Paper-Pan                     | 2          | 4                     | 8        | 16       |         |
| 45  |          | TappingScrew-B2 L=10                | 2          | -                     | -        | -        |         |
| 46  |          | Bracket-LF-Ribbon-Feed              | 1          | 2                     | 4        | 8        |         |

Ribbon Protector Assy



| No. | Part No. | Part Name                | Q'ty /Unit | Recommended Q'ty/Year |          |          | Special |
|-----|----------|--------------------------|------------|-----------------------|----------|----------|---------|
|     |          |                          |            | per 500               | per 1000 | per 2000 |         |
| 1   |          | Bracket-Protector-Ribbon | 1          | 5                     | 10       | 20       |         |
| 2   | 44314701 | Protector-Ribbon         | 1          | 5                     | 10       | 20       |         |
| 3   | 44491601 | Sns Assy.-Paper Width    | 1          | 2                     | 4        | 8        |         |
| 4   |          | Spring-FG-Protector      | 1          | 2                     | 4        | 8        |         |
| 5   |          | Cover-Sensor             | 1          | 2                     | 4        | 8        |         |
| 6   |          | Screw                    | 1          | -                     | -        | -        |         |

# Carriage Assy



| No. | Part No. | Part Name          | Q'ty /Unit | Recommended Q'ty/Year |          |          | Special |
|-----|----------|--------------------|------------|-----------------------|----------|----------|---------|
|     |          |                    |            | per 500               | per 1000 | per 2000 |         |
| 1   |          | Frame-Carriage     | 1          | 2                     | 4        | 8        | ML620   |
| 1   |          | Frame-Carriage     | 1          | 2                     | 4        | 8        | ML621   |
| 2   |          | Holder-Slider      | 1          | 2                     | 4        | 8        |         |
| 3   |          | Piece-Slider       | 1          | 2                     | 4        | 8        |         |
| 4   | 44231701 | Belt-SP            | 1          | 3                     | 6        | 12       | ML620   |
| 4   | 44231702 | Belt-SP            | 1          | 3                     | 6        | 12       | ML621   |
| 5   |          | HEAD CLAMP HOLDER  | 1          | 2                     | 4        | 8        |         |
| 6   | 44232101 | Clamp-Belt         | 1          | 2                     | 4        | 8        |         |
| 7   |          | Cover-Sensor-Cable | 1          | 2                     | 4        | 8        |         |
| 8   |          | Screw              | 1          | -                     | -        | -        |         |
| 9   |          | Screw              | 1          | -                     | -        | -        |         |

| No. | Part No. | Part Name             | Q'ty /Unit | Recommended Q'ty/Year |          |          | Special |
|-----|----------|-----------------------|------------|-----------------------|----------|----------|---------|
|     |          |                       |            | per 500               | per 1000 | per 2000 |         |
| 1   |          | Plate-Shield-PCB      | 1          | 2                     | 4        | 8        |         |
| 2   | 44497001 | MBB- PCB Assy.Maint   | 1          | 5                     | 10       | 20       | ODA     |
| 2   |          | MBB- PCB Assy.Maint   | 1          | 5                     | 10       | 20       | OEL     |
| 3   |          | 2410ML-01W-B49-B01    | 1          | 2                     | 4        | 8        |         |
| 4   |          | Screw                 | 3          | -                     | -        | -        |         |
| 5   |          | Screw                 | 2          | -                     | -        | -        |         |
| 1   | 44216001 | Sheet-Operation-Panel | 1          | 2                     | 4        | 8        | ML620   |
| 1   | 44216002 | Sheet-Operation-Panel | 1          | 2                     | 4        | 8        | ML621   |
| 2   |          | Frame-OP-Panel        | 1          | 2                     | 4        | 6        |         |
| 3   | 44332001 | OR-Board Assy-OP1     | 1          | 2                     | 4        | 8        |         |



| No. | Part No. | Part Name             | Q'ty /Unit | Recommended Q'ty/Year |          |          | Special |
|-----|----------|-----------------------|------------|-----------------------|----------|----------|---------|
|     |          |                       |            | per 500               | per 1000 | per 2000 |         |
| 1   | 44216001 | Sheet-Operation-Panel | 1          | 2                     | 4        | 8        | ML620   |
| 1   | 44216002 | Sheet-Operation-Panel | 1          | 2                     | 4        | 8        | ML621   |
| 2   |          | Frame-OP-Panel        | 1          | 2                     | 4        | 6        |         |
| 3   | 44332001 | OR-Board Assy-OP1     | 1          | 2                     | 4        | 8        |         |