

ML 590/1

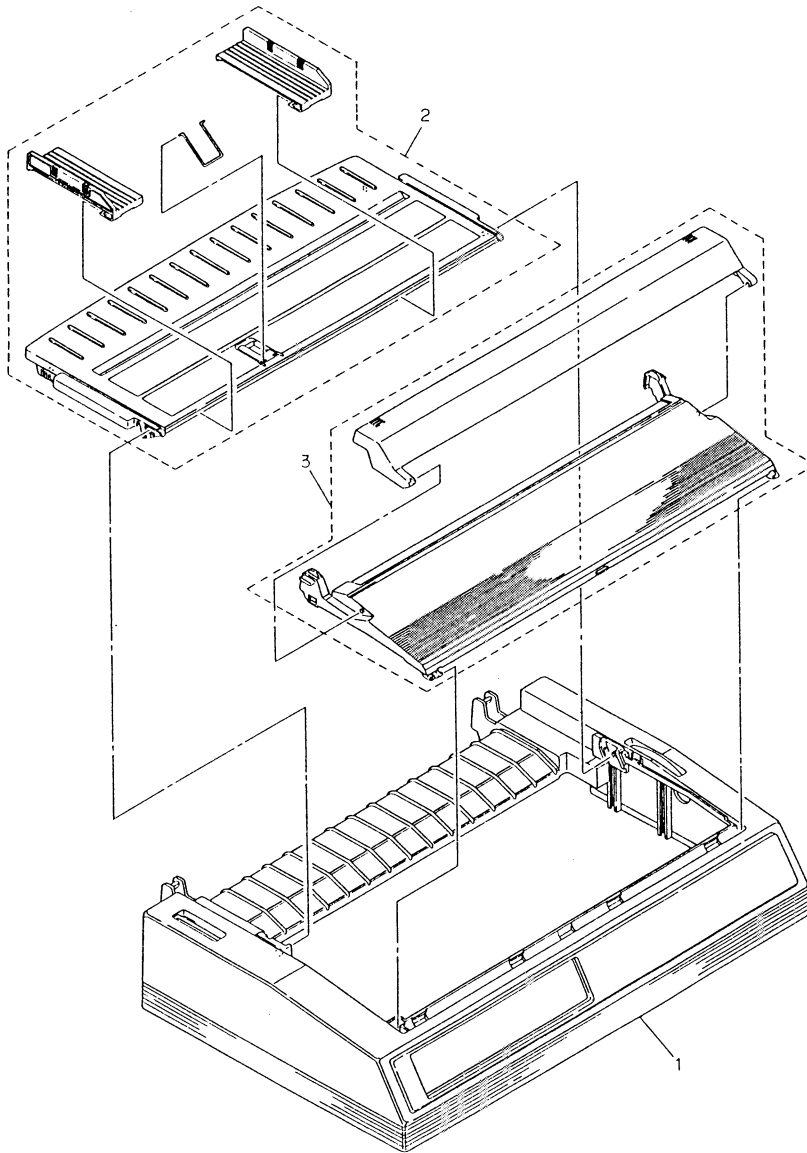


Figure 11-1 Upper Cover Assy

ML590/591

Figure II-1 Upper Cover Assy

No.	Part No.	Description	Q'ty	Q'ty Required	Remarks
1.	1PP4094-6501P3	Upper cover (N)	1	3	For 590
	1PP4094-7201P3	Upper cover (W)	1	3	For 591
2.	1PA4094-7305G2	Sheet guide assy (N)	1	3	For 590
	1PA4094-7308G2	Sheet guide assy (W)	1	3	For 591
3.	2PA4094-7381G1	Access cover assy (N)	1	3	For 590
	2PA4094-7382G1	Access cover assy (W)	1	3	For 591

C-3

ML 590/1

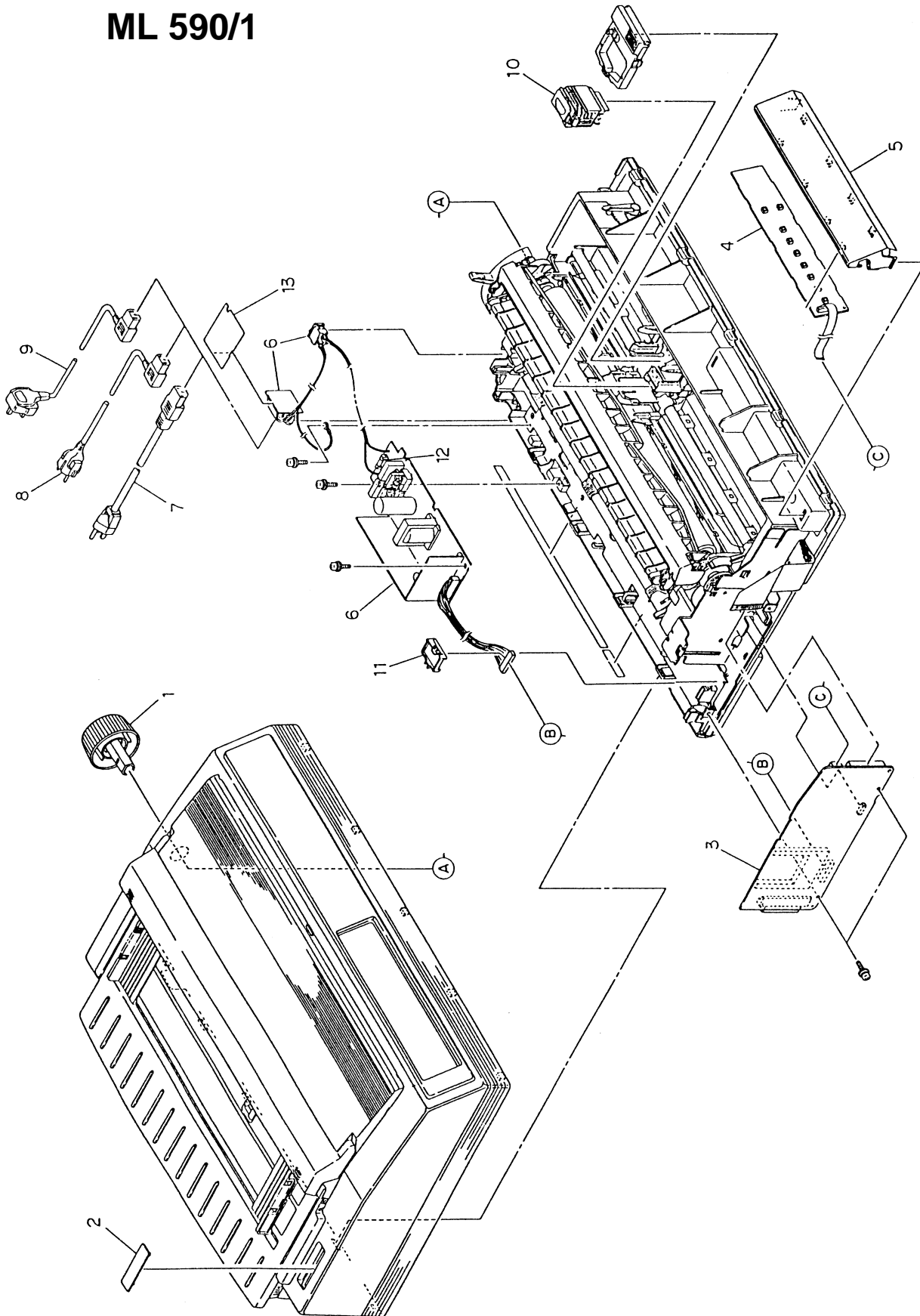


Figure 11-2 Printer general Assy

ML590/591

Figure II-2 Printer general assy

No.	Part No.	Description	Q'ty	Q'ty Required	Remarks
1.	2PP4094-6507P3	Platen Knob	1	3	
2.	3PP4094-6505P2	Cover (A) for card slot	1	3	
3.	4YA4042-1514G401	Control board (AKGI-2)	1	3	without ROM
	4YA4042-1527G401	Control board (AKUK-)	1	3	Without ROM for UK production
4.	4YA4042-1516G1	Operator panel board (LEOP-)	1	3	
5.	3PP4025-3670G3	Operation panel	1	3	
6.	4YB4049-1707P1	Power supply assy (590 120V)	1	3	For 590 120V
	4YB4049-1707P2	Power supply assy (591 120V)	1	3	For 591 120V
	4YB4049-1708P1	Power supply assy (590 230/240V)	1	3	For 590 230/240V
	4YB4049-1708P2	Power supply assy (591 230/240V)	1	3	For 591 230/240V
7.	3Y54011-1026P1	AC cord for 120V	1	1	For 120V
8.	3Y54011-1265P1	AC cord for 230V	1	1	Continental
9.	3Y54011-1268P1	AC cord for 240V	1	1	U K type
10.	4YA4023-2601 G1	Print head assy	1	10	
11.	4PP4025-3621P1	Cord clamp	1	3	
12.	540A2036M1502	Fuse (GGSS) for 120V	1	10	For 120V
	4YB4021-1146P1	Fuse for 230/240V	1	10	For 230/240V
	540A2036M1252	Fuse (GG52.5) for 120V	1	10	For 120V
13.	4PP4025-3671P1	Cord cover	1	3	

ML 590/1

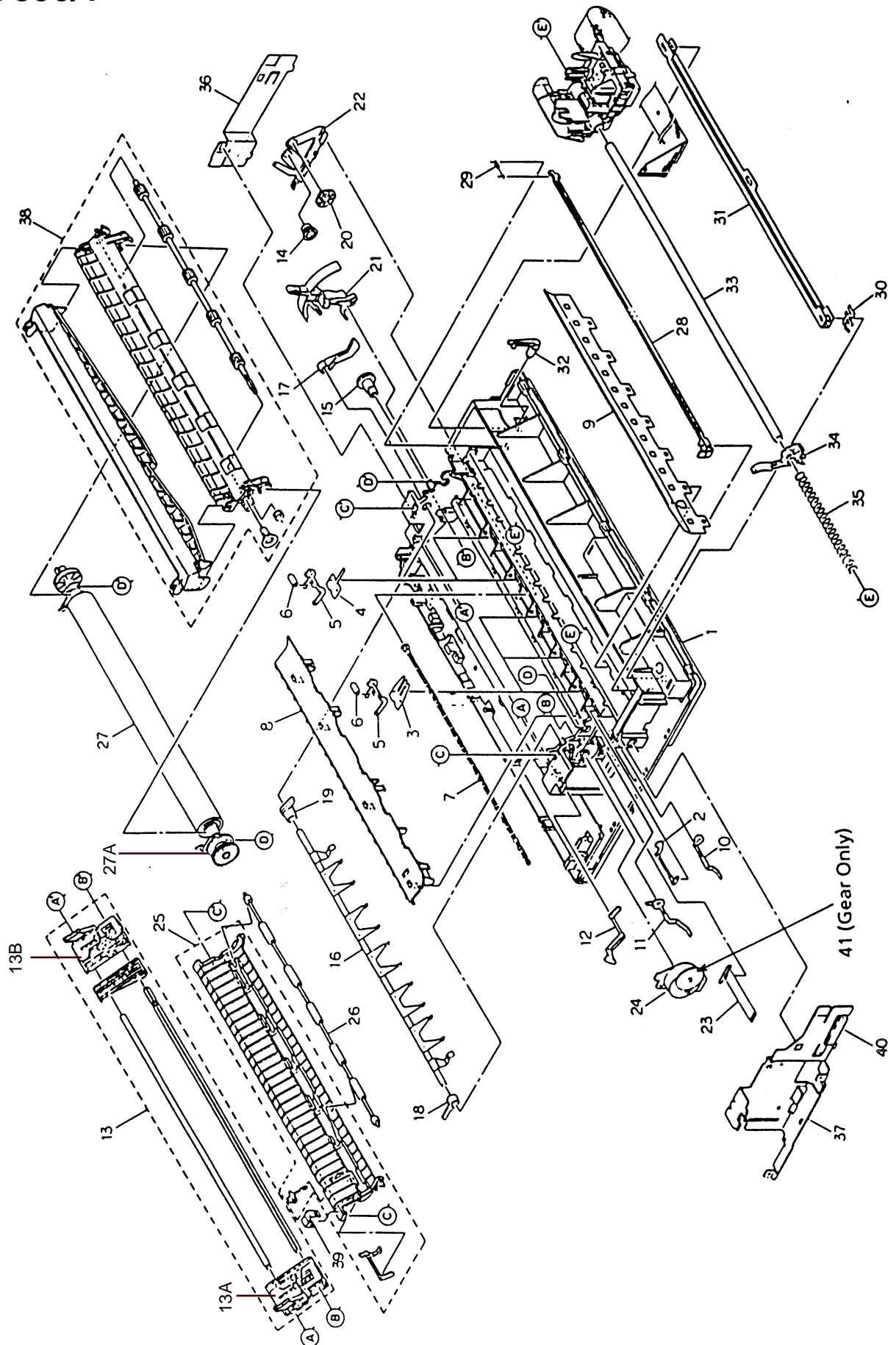


Figure 11-3 Printer Unit

ML590/591

Figure II-3 Printer unit

No.	Part No.	Description	Q'ty	Q'ty Required	Remarks
1.	3PA4025-3302G1	Main frame (N)	1	3	For 590
	3PA4025-3502G1	Main frame (W)	1	3	For 591
2.	3PP4025-3315P1	Bottom paper end lever	1	3	
3.	4PP4025-3316P1	Front pressure spring	3	3	
4.	4PP4025-3324P1	Front pressure spring(W)	2	2	For 591
5.	4PP4025-3317P1	Front roller holder	3	9 (590) 15 (591)	
6.	4PP4025-3325P1	Front pressure roller	3	9 (590) 15 (591)	
7.	3PP4025-3318P1	Front release gear shaft (N)	1	3	For 590
	3PP4025-3505P1	Front release gear shaft (W)	1	3	For 591
8.	1PP4025-3319P2	Paperpan(N)	1	3	For 590
	1PP4025-3506P2	Paper pan (W)	1	3	For 591
9.	3PP4025-3320P1	Leaf spring (N)	1	3	For 590
	3PP4025-3507P1	Leaf spring (W)	1	3	For 591
10.	3PP4025-3322P1	Bottom sensor lever	1	3	
11.	3PP4025-3321P1	Rear sensor lever	1	3	
12.	4PP4025-3323P1	Sensor lever for cut sheet & continuous sheet	1	3	
13.	3PA4025-3330G1	Tractor assy (N)	1	3	For 590
	3PA4025-3330G2	Tractor assy (W)	1	3	For 591
13A	4PA4025-3333G1	Tractor Assy Left Push	1		
13B	4PA4025-3331G1	Tractor Assy Right Push	1		
14.	4PP4025-3340P1	Change gear	1	3	
15.	3PP4025-3341P1	Tractor gear	1	3	
16.	3PP4025-3346G1	Pressure spring (N)	1	3	For 590
	3PP4025-3511G1	Pressure spring (W)	1	3	For 591
17.	4PP4025-3350P1	Front release gear arm	1	3	
18.	4PP4025-3351P1	Switch lever (cut sheet & continuous sheet)	1	3	

ML590/591

No.	Part No.	Description	Q'ty	Q'ty Required	Remarks
19.	3PP4025-3352P1	Release cam	1	3	
20.	4PP4025-3353P1	Idle gear	1	3	
21.	2PP4025-3354P3	Change lever	1	3	
22.	3PP4025-3355P1	Reset spring	1	3	
23.	3PB4025-3356P1	LF connection cord	1	5	
24.	3PB4025-3357P1	LF motor assy	1	5	
25.	3PA4025-3360G2	Paper chute assy (N)	1	3	For 590
	3PA4025-3515G2	Paper chute assy(W)	1	3	For 591
26.	3PB4025-3364P1	Rear pressure roller (N)	1	3	For 590
	3PB4025-3517P1	Rear pressure roller (W)	1	3	For 591
27.	3PA4025-3370G1	Platen assy (N)	1	3	For 590
	3PA4025-3370G2	Platen assy (W)	1	3	For 591
27A	4PA4025-3373G1	Platen Gear	1		
28.	3PP4025-3376P1	Space rack(N)	1	5	For 590
	3PP4025-3522P1	Space rack(W)	1	5	For 591
29.	4PB4025-3377P1	Tension spring for space rack	1	3	
30.	4PP4025-3378P1	Guide rail FG SP(L)	1	1	
31.	3PP4025-3379P1	Guide rail(N)	1	1	For 590
	3PP4025-3523P1	Guide rail(W)	1	1	For 591
32.	3PP4025-3380P1	Adjust cam	1	3	
33.	4PP4025-3381P1	Carriage shaft(N)	1	3	For 590
	4PP4025-3381P2	Carriage shaft(W)	1	3	For 591
34.	4PA4025-3382G1	Support protector assy	1	3	
35.	4PB4025-3385P1	Support protector reset spring	1	3	
36.	3PP4025-3386P1	FG plate (R)	1	1	
37.	3PA4025-3387G1	FG plate (L) assy	1	1	
38.	3PA4025-3440G2	Pull-up roller assy (N)	1	3	For 590
	3PA4025-3530G2	Pull-up roller assy (W)	1	3	For 591
39.	4PP4025-3365P1	Lock spring	1	1	

ML 590/1

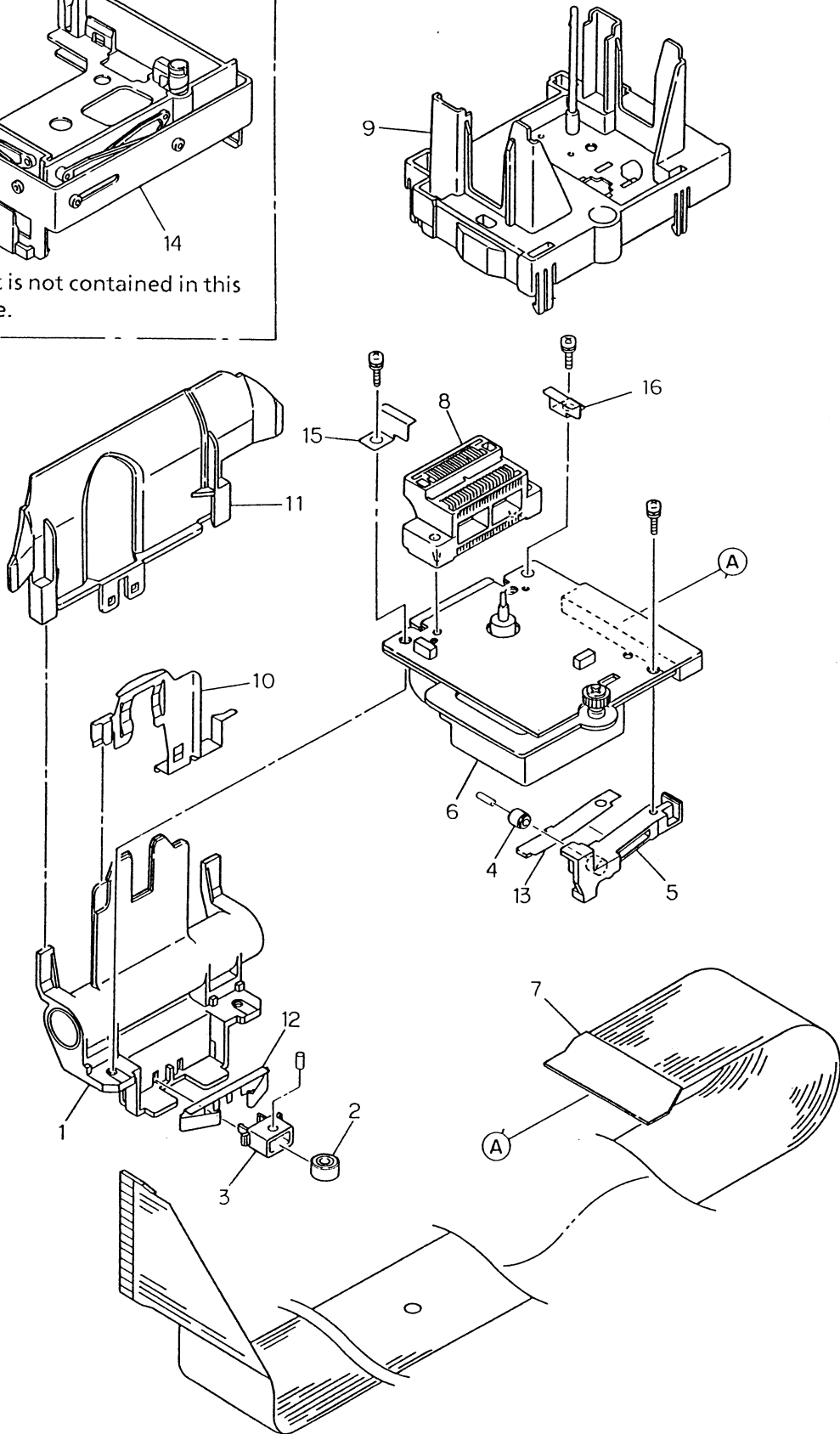
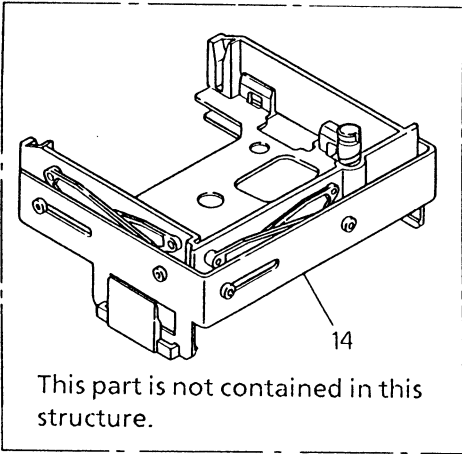


Figure 11-4 Carriage assy

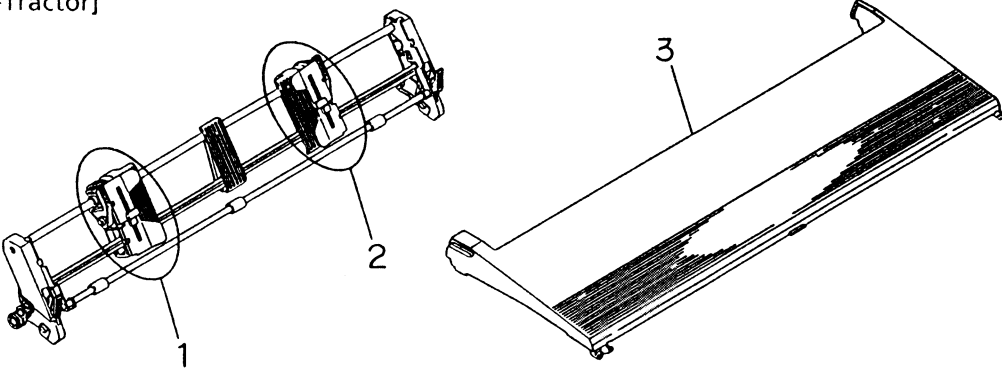
ML590/591

Figure II-4 Carriage option assy

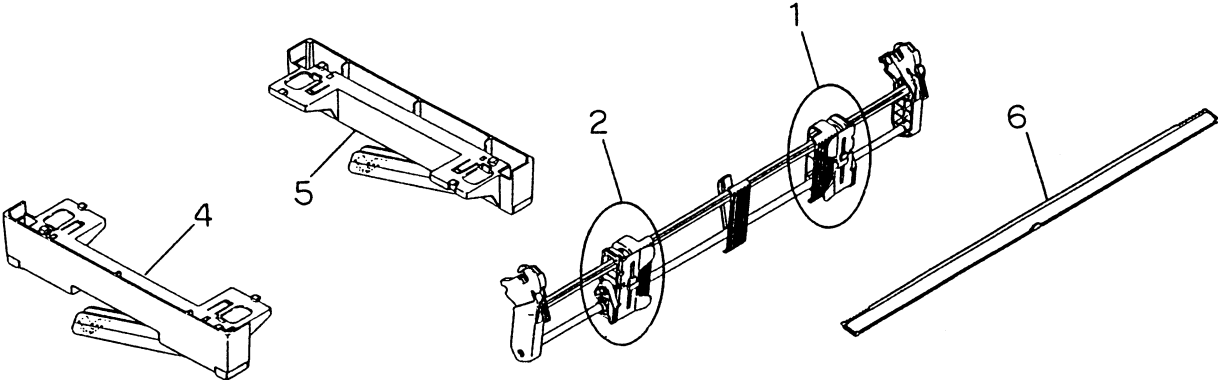
No.	Part No.	Description	Q'ty	Q'ty Required	Remarks
1.	4PP4025-3394G1	Carriage frame set	1	3	
2.		Included in item 3			
3.	4PA4025-3718G1	Back up roller holder assy	1	3	
4.	4PP4025-3398P1	Guide roller	1	3	
5.	3PP4025-3399P1	Guide roller holder	1	3	
6.	4YA4025-3250G1	space motor assy	1	5	
7.	2PU4007-1193P1	Carriage cable(N)	1	10	For 590
	2PU4007-1193P2	Carriage cable(W)	1	10	For 591
8.	224A1285P0400	PC connector	1	3	
9.	3PA4025-3406G1	Gear case assy	1	3	
10.	3PP4025-3431P1	Head clamp	1	3	
11.	3PP4025-3430P1	Ribbon protector	1	5	
12.	4PP4025-3397P1	Back-up roller holder spring	1	3	
13.	4PP4025-3401P1	Guide roller spring	1	3	
14.	3PA4025-3581G1	Colour Shift Unit	1	3	(Option)
15.	4PP4025-3433P1	Connector holder (L)	1	1	
16.	4PP4025-3434P1	Connector holder (R)	1	1	

ML 590/1

[Pull-Tractor]



[Bottom-Tractor]



[I/F Board]

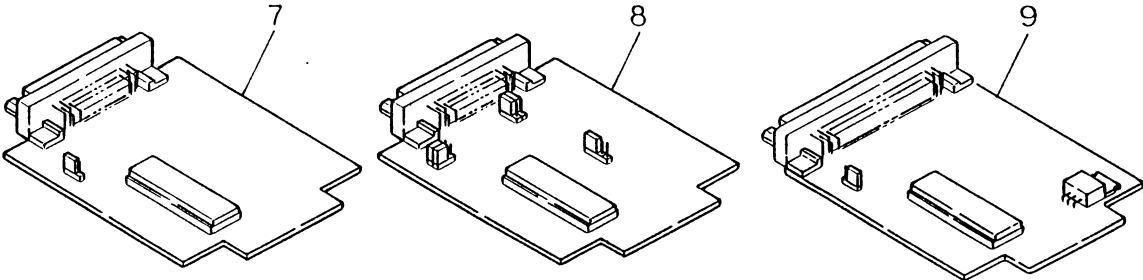


Figure 11-5 Option spare parts

ML590/591

Figure II-5 Option spare parts

No.	Part No.	Description	Q'ty Required		Remarks
1.	4PA4025-3608G1	Pull and bottom tractor assy(L)	1	3	
2.	4PA4025-3603G1	Pull and bottom tractor assy(R)	1	3	
3.	2PP4094-7383G1	Tractor cover assy(N)	1	3	For 590
	2PP4094-7384G1	Tractor cover assy(W)	1	3	For 591
4.	2PA4094-6510G4	Bottom push stand(L)	1	3	
5.	2PA4094-6510G3	Bottom push stand(R)	1	3	
6.	4PP4094-7385G1	Paper knife(N)	1	3	For 590
	4PP4094-7386G1	Paper knife(W)	1	3	For 591
7.	SIF300	LXHI-PCB(RS232C I/F)	1	3	
8.	4YA4021-1106G2	LXCL-PCB(Current loop I/F)	1	3	
9.	4YA4021-1102G3	LXHA-PCB(RS422 I/F)	1	3	