

ML490/491
Spare Parts
Illustration Manual
For Rev "D0" and Lower

011912A

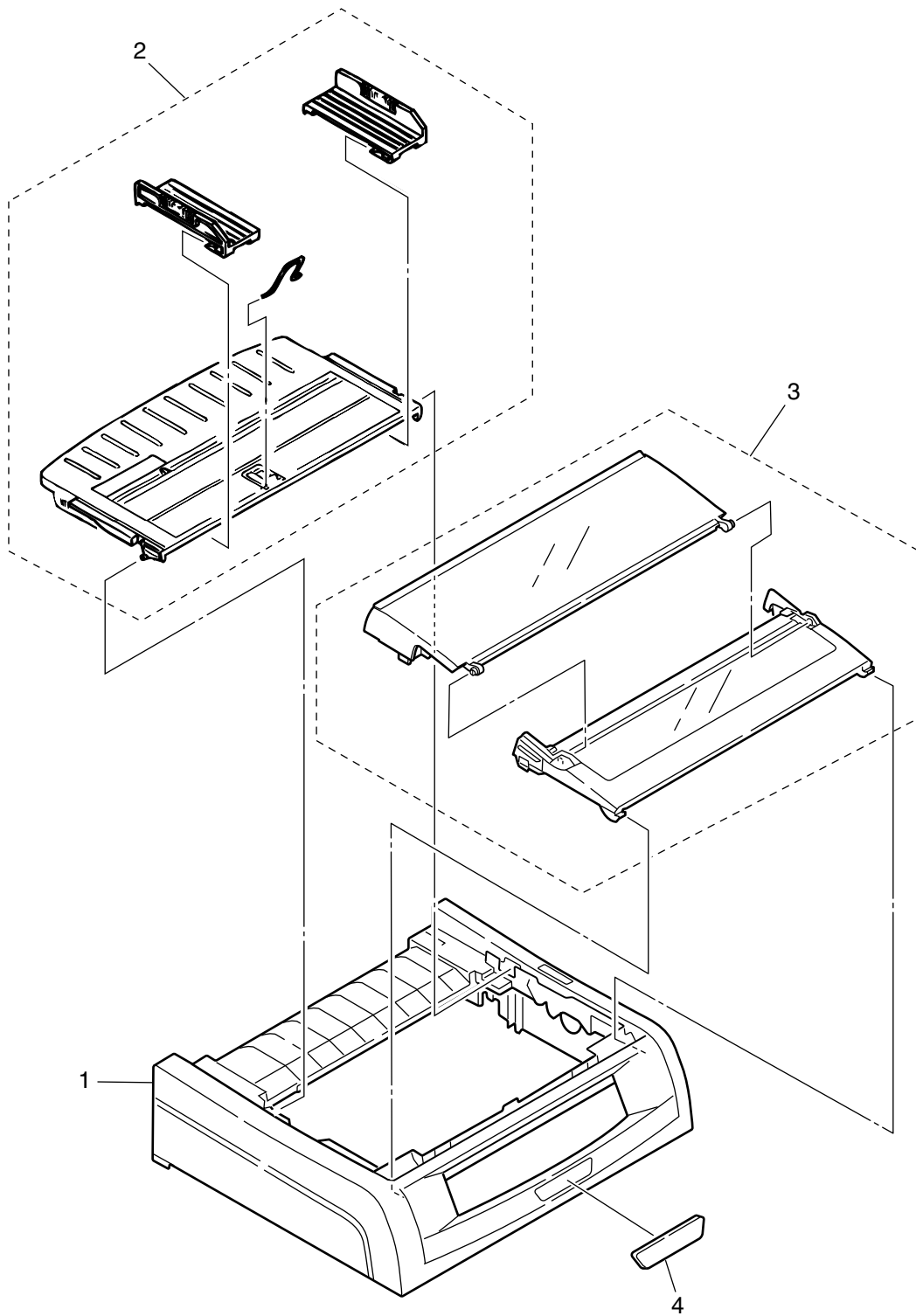


Figure B-1 Upper Cover Assy

Table B-1 Upper Cover Assy

No.	Part No.	Description	Q'ty	Q'ty Required	Remarks	
1	42040801	Upper cover (N)	1	2	For ML490	
	42040901	Upper cover (W)	1	2	For ML491	
2	51009409	Sheet guide assy (N)	1	2	For ML490	
	51009510	Sheet guide assy (W)	1	2	For ML491	
3	42115401	Access cover assy (N)	1	2	For ML490	
	42115301	Access cover assy (W)	1	2	For ML491	
4		Logo plate	1	2		
		Logo plate	1	2		
		Logo plate	1	2		
		Logo plate	1	2		

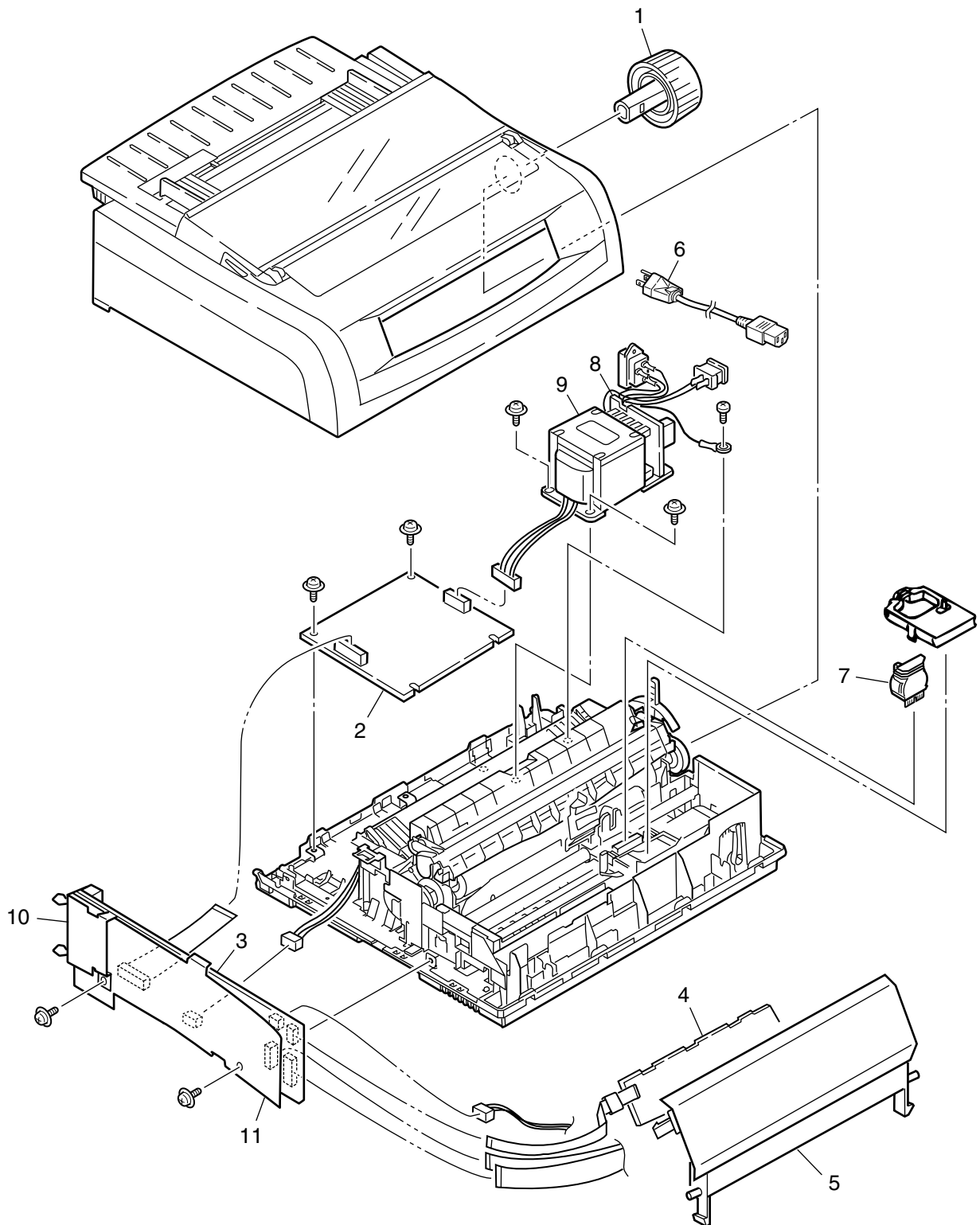


Figure B-2 Printer General Assy

Table B-2 Printer General Assy

No.	Part No.	Description	Q'ty	Q'ty Required	Remarks
1	51902220	Platen Knob	1	1	
2	42024002	Power supply board (TPW)	1	9	
3	42020002	Control board (TFS)	1	9	
4	55081109	Operator panel board (LEOP)	1	3	
5	42116101	Operation panel	1	2	
6		AC cord for 120V	1	1	
		AC cord for 230V	1	1	
		AC cord for 230V	1	1	
7	42124201	Print head (24)	1	10	
8	42124701	Fuse-Trans (125V 3.15A)	1	10	For 120V
	42124702	Fuse-Trans (250V 1.6A)	1	10	For 230V
9	42021401	Transformer assy	1	2	For 120V
	42021501	Transformer assy	1	2	For 230V
10	42105001	FG plate B	1	2	
11		PCB sheet	1	2	

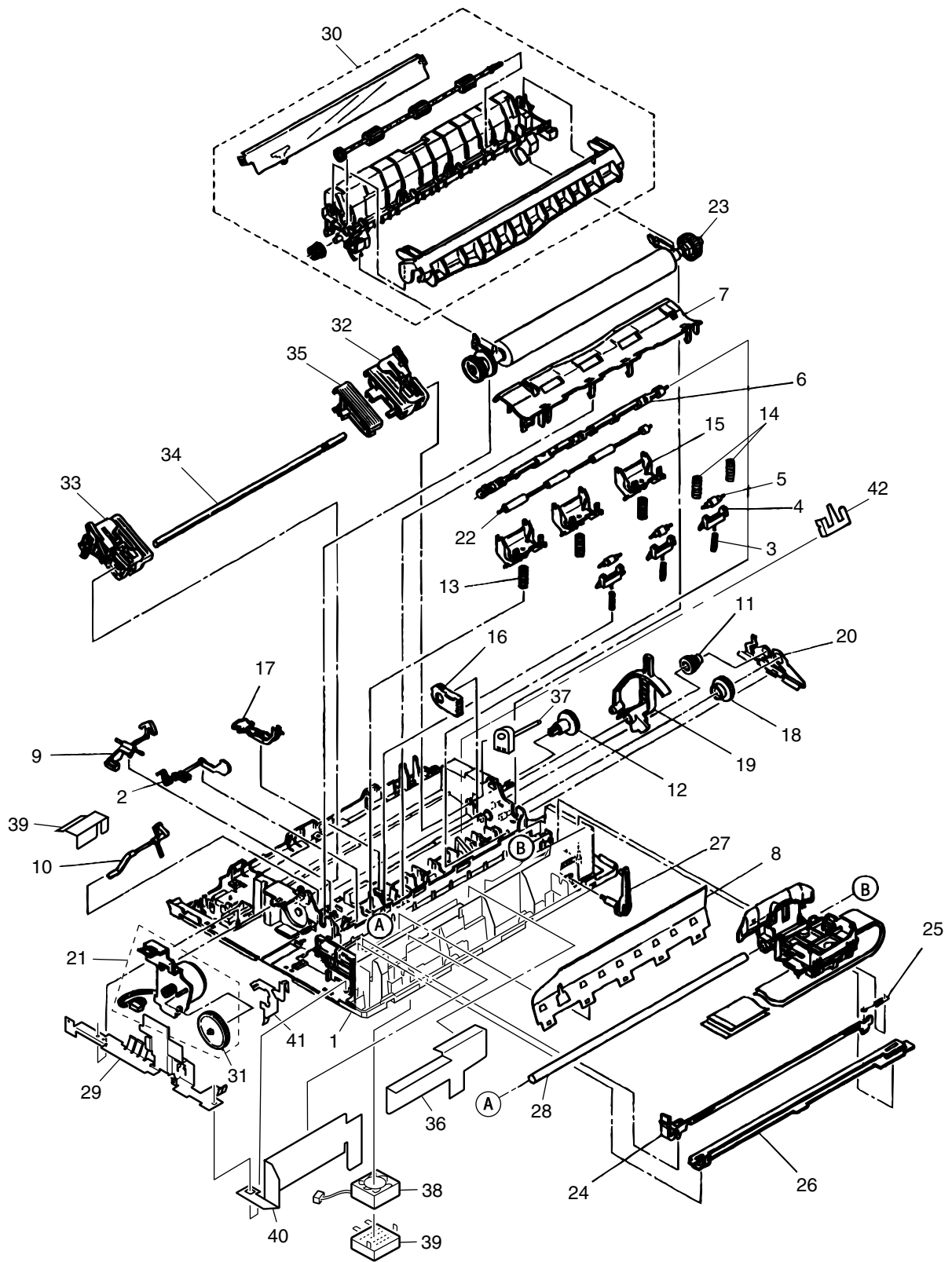


Figure B-3 Printer Unit

Table B-3 Printer Unit (1/2)

No.	Part No.	Description	Q'ty	Q'ty Required	Remarks
1	42114901	Main chassis assy (N)	1	2	For ML490
	42115001	Main chassis assy (W)	1	2	For ML491
2	50809201	Bottom paper end lever	1	1	
3	50931301	Pressure spring (F)	3	2	For ML490
			5	4	For ML491
4	53349001	Roller holder (F)	3	6	For ML490
			5	8	For ML491
5	53341202	Front pressure roller	3	6	For ML490
			5	8	For ML491
6	51114001	Release shaft (N)	1	2	For ML490
	51114101	Release shaft (W)	1	2	For ML491
7	53349201	Paper pan plate (N)	1	2	For ML490
	53349301	Paper pan plate (W)	1	2	For ML491
8	42256301	Leaf spring (N)	1	2	For ML490
	42256201	Leaf spring (W)	1	2	For ML491
9	50809301	Paper end lever	1	1	
10	40775901	Sensor lever	1	1	
11	51228001	Change gear	1	2	
12	51228101	Tractor gear	1	2	
13	50931401	Pressure spring (R)	3	2	For ML490
			3	2	For ML491
14	50931501	Pressure spring (W)	2	1	For ML491
15	53349101	Roller holder (R)	3	6	For ML490
			5	10	For ML491
16	50809701	Change arm	1	2	
17	50809601	Switch lever	1	1	
18	51238501	Idle gear	1	2	
19	50809501	Change lever	1	2	
20	50931601	Reset spring	1	2	
21	41737902	LF motor assy	1	4	
22	53349401	Rear pressure roller (N)	1	2	For ML490
	53349501	Rear pressure roller (W)	1	2	For ML491
23	50114801	Platen assy (N)	1	3	For ML490
	50114901	Platen assy (W)	1	3	For ML491
24	40907901	Space rack gear (N)	1	3	For ML490
	40908001	Space rack gear (W)	1	3	For ML491
25	50923502	Rack tension spring	1	1	

Table B-3 Printer Unit (2/2)

No.	Part No.	Description	Q'ty	Q'ty Required	Remarks	
26	51022201	Guide rail plate (N)	1	1	For ML490	
	51022301	Guide rail plate (W)	1	1	For ML491	
27	51238601	Adjust cam	1	1		
28	51114201	Carriage shaft (N)	1	1	For ML490	
	51114202	Carriage shaft (W)	1	1	For ML491	
29	42104901	FG plate (Weld)	1	1		
30	42044701	Pull-up roller assy (N)	1	2	For ML490	
	42045701	Pull-up roller assy (W)	1	2	For ML491	
31	40355101	Idle gear (9)	1	4		
32	53350302	Tractor frame assy (R)	1	2		
33	53350202	Tractor frame assy (L)	1	2		
34		Drive shaft	1	2	For ML490	
		Drive shaft	1	2	For ML491	
35		Tractor sheet guide	1	2	For ML491	
36	42111701	Head cable film (W)	1	2		
37		Change gear shaft	1	2		
38	42119001	FAN	1	4		
39	42086601	FAN cover	1	2		
40		Shield sheet (Front)	1	2	For ML491	
		Shield sheet (Front)	1	2	For ML490	
41		FG spring F	1	2		
42		Support spring	1	2		

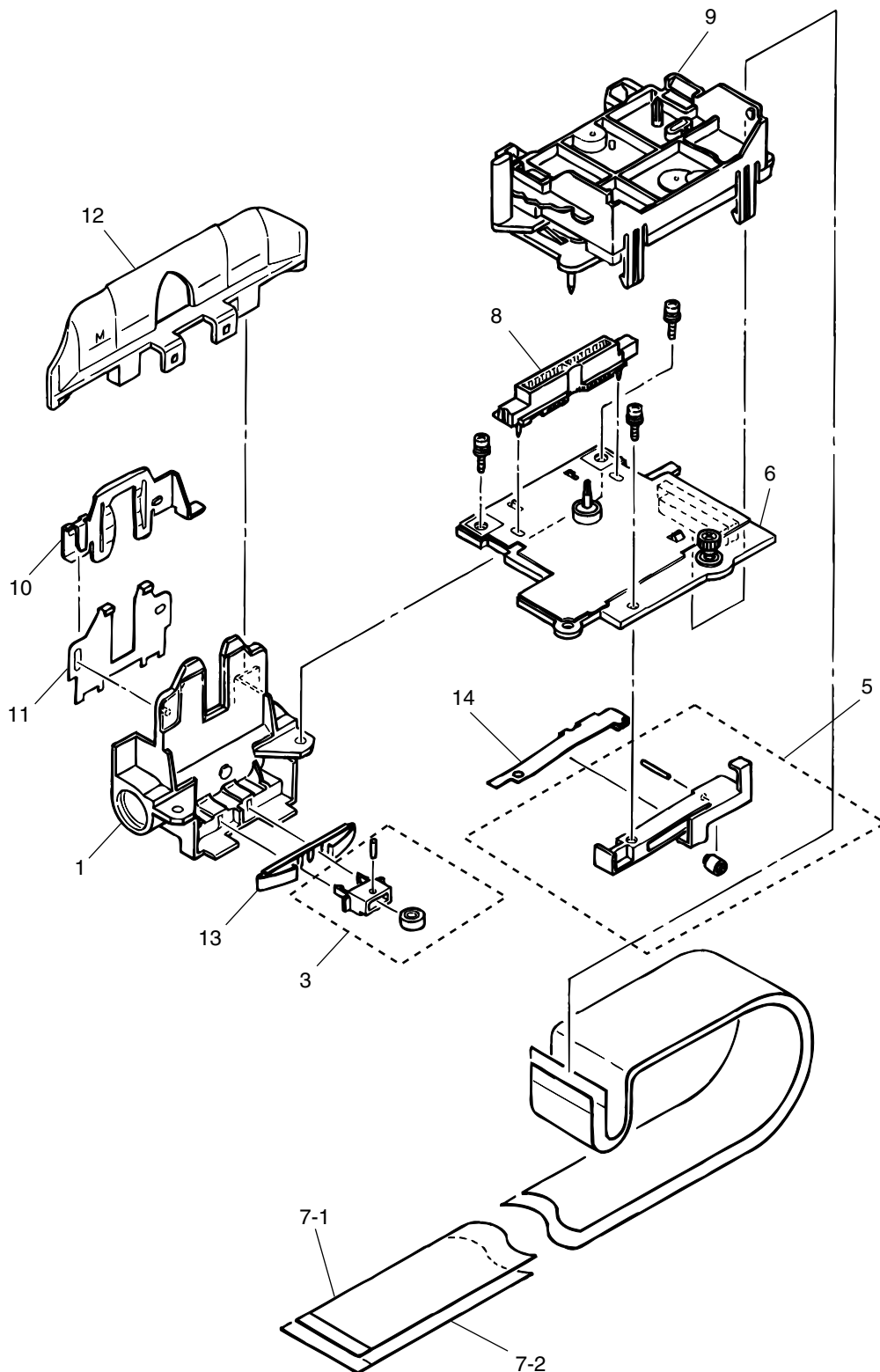
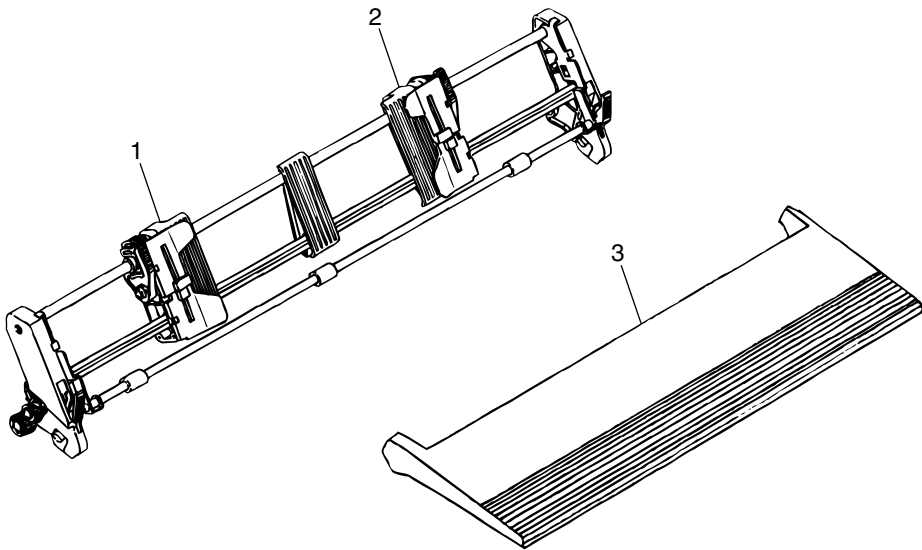


Figure B-4 Carriage Assy

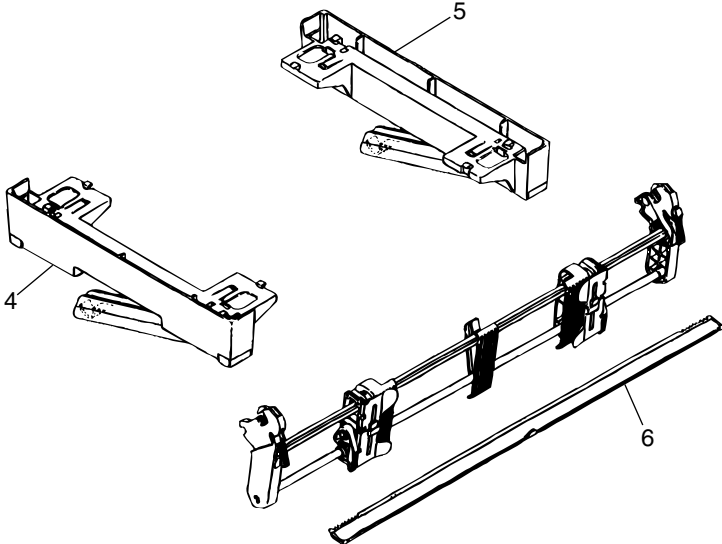
Table B-4 Carriage Assy

No.	Part No.	Description	Q'ty	Q'ty Required	Remarks	
1	53349801	Carriage frame set	1	2		
2						
3	53343201	Back up roller holder assy	1	2		
4	40493301	Guide roller holder assy	1	2		
5						
6	42104201	Space motor assy (24)	1	4		
7-1	42252704 42252702	Head cable (23)	1	5	ML490 ML491	
7-2	42252801 42252802	Head cable (20)	1	5	ML490 ML491	
8		PC connector (36/40)	1	2		
9	42348103	Gear case assy	1	3		
10		Head clamp holder	1	1		
11	51022501	Head plate	1	1		
12	53077101	Ribbon protector frame	1	2		
13	50925002	Back up roller holder spring	1	1		
14	50931801	Guide roller holder spring	1	1		

[Pull-Tractor]



[Bottom-Tractor]



[I/F Board]

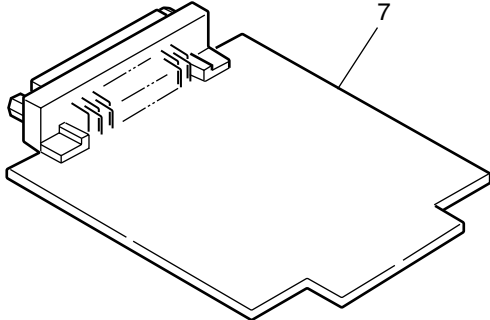


Figure B-5 Option Spare Parts

Table B-5 Option Spare Parts

No.	Part No.	Description	Q'ty	Q'ty Required	Remarks	
1	50098001	Pull and bottom tractor assy (L)	1	2		
2	50097901	Pull and bottom tractor assy (R)	1	2		
3	53077201	Tractor cover assy (N)	1	3	For ML490	
	53077301	Tractor cover assy (W)	1	3	For ML491	
4	51902301	Bottom push stand (L)	1	2		
5	51902302	Bottom push stand (R)	1	2		
6	50098701	Paper knife (N)	1	1	For ML490	
	50098801	Paper knife (W)	1	1	For ML491	
7	55038901	RS232C I/F board (LXHI)	1	3		