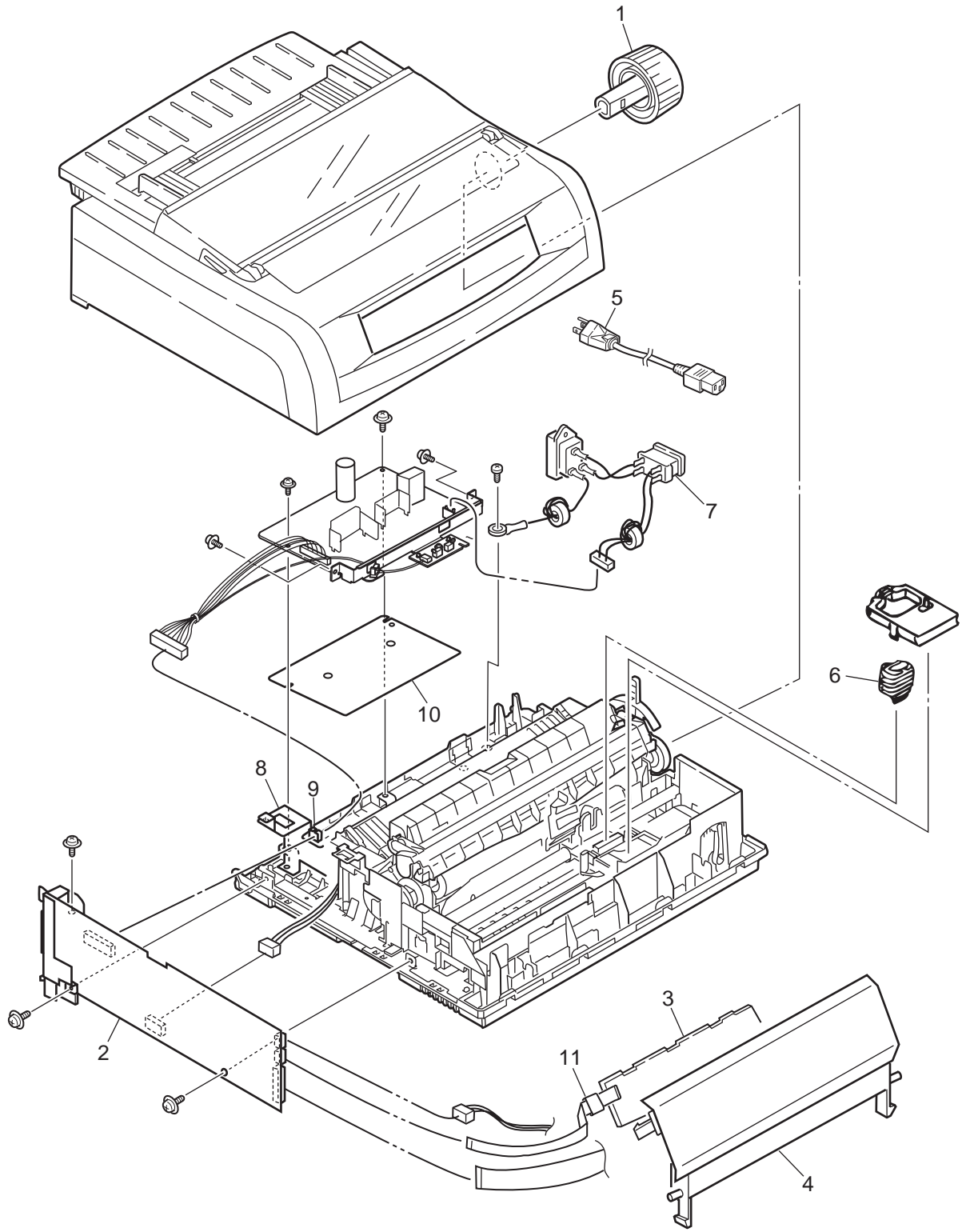


ML420/421
Spare Parts
Illustration Manual
For Rev "E0" and Higher

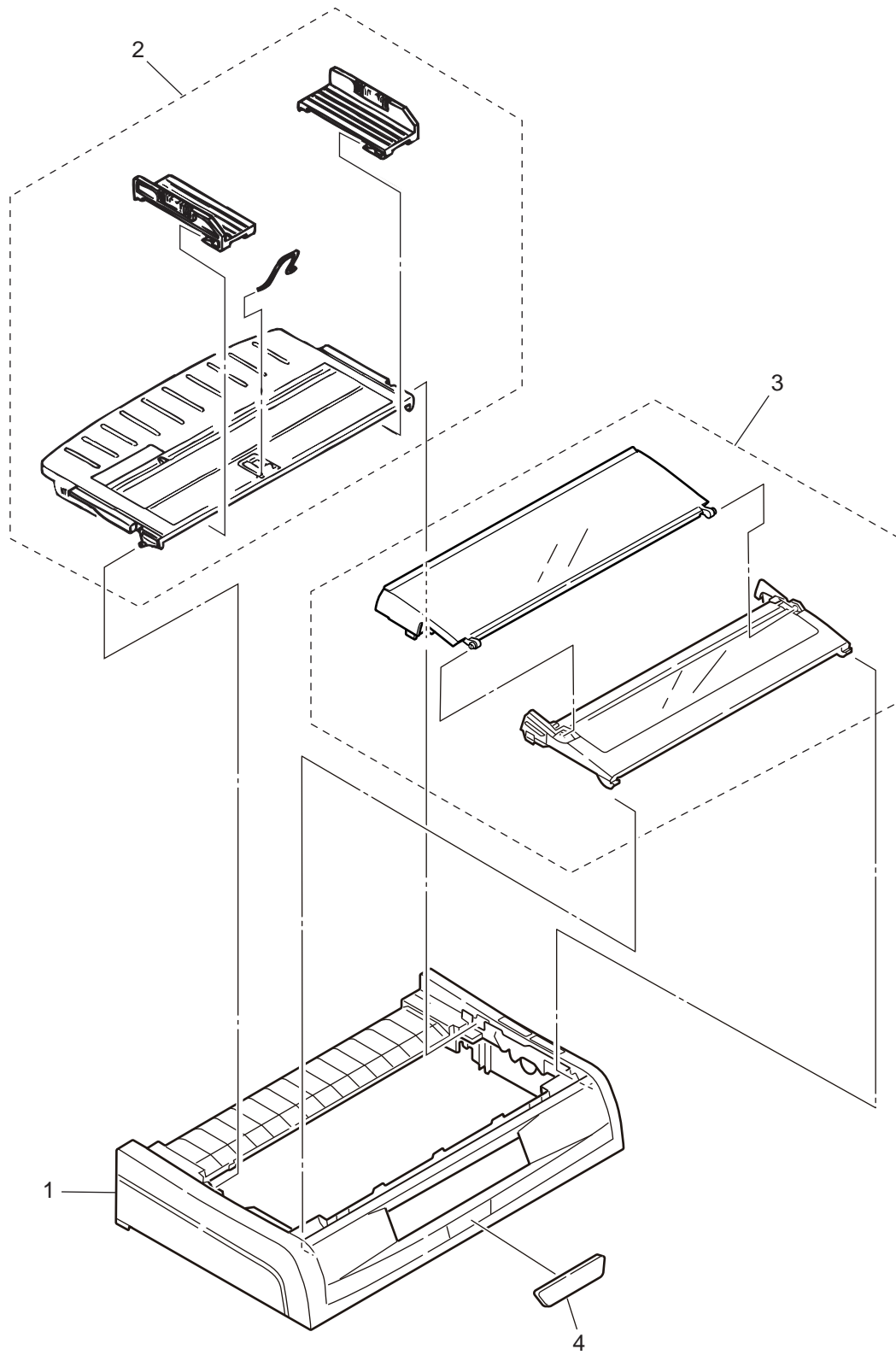
040411A

Printer General Assy



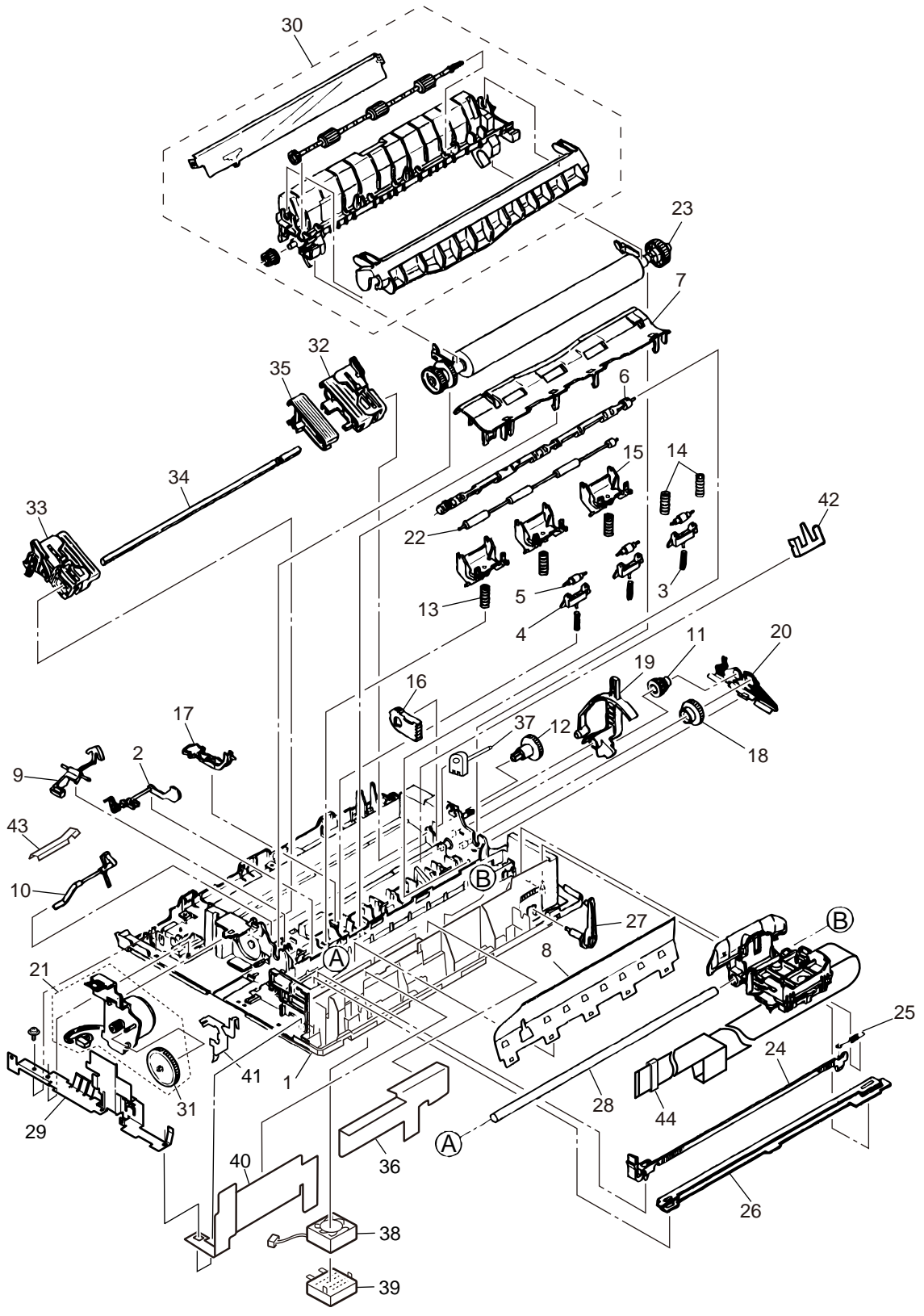
No.	Part No.	Part Name	Q'ty /Unit	Recommended Q'ty			Remarks
				per 500	per 1000	per 2000	
1	51902220	Platen knob	1	1	2	4	
2	44779902	EXB-PCB Assy.maintenance Spec.	1	5	10	20	
2		EXB-PCB Assy.maintenance Spec.	1	5	10	20	
3	40174214	OPE PCB assembly LEOP	1	2	4	8	
4	42116101	OP Panel -	1	2	4	8	
5		AC Cord B	1	1	2	4	
6	41923901	Dot head-9pin	1	10	20	40	
7	44591101	CONN Cord-Wire AC INLET-SW	1	1	2	4	420
7	44591102	CONN Cord-Wire AC INLET-SW	1	1	2	4	421
8	44587101	Bracket-NIC	1	1	2	4	
9	42959202	Mini-Saddle-RMS-2V0	1	1	2	4	
10	44743801	Sheet-Insulation	1	1	2	4	
11		FPC-16-20	1	2	4	8	Core

Upper Cover Assy



No.	Part No.	Part Name	Q'ty /Unit	Recommended Q'ty			Remarks
				per 500	per 1000	per 2000	
1	42040801	Cover-Upper(N)	1	2	4	8	420
1	42040901	Cover-Upper(W)	1	2	4	8	421
2		Sheet guide assembly(N)	1	2	4	8	420
2		Sheet guide assembly(W)	1	2	4	8	421
3	42115401	Cover-Access-Assy(N)	1	2	4	8	420
3	42115301	Cover-Access-Assy(W)	1	2	4	8	421
4	43756905	Plate-Logo	1	2	4	8	420
4	43756906	Plate-Logo	1	2	4	8	421

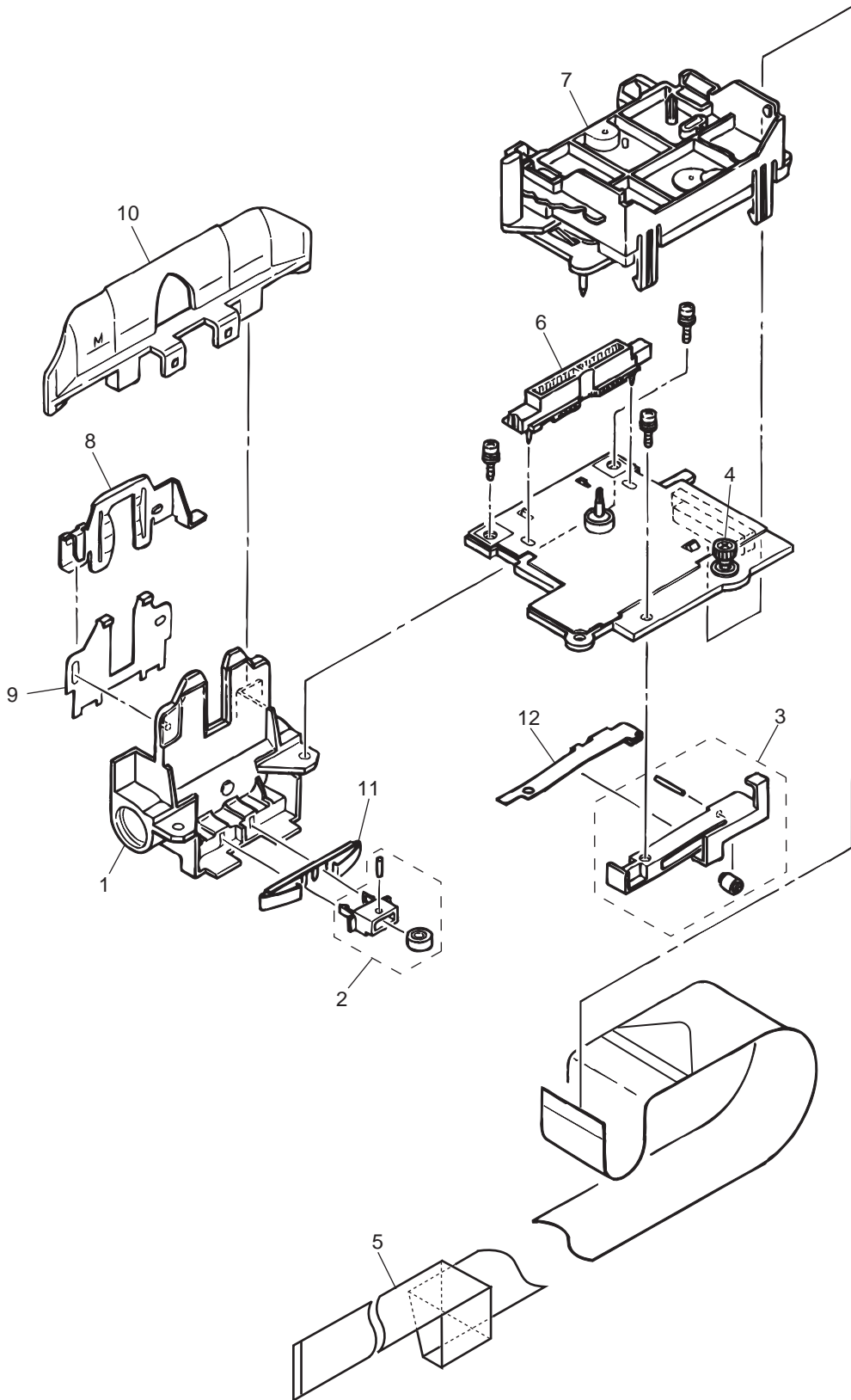
Printer Unit



No.	Part No.	Part Name	Q'ty /Unit	Recommended Q'ty			Remarks
				per 500	per 1000	per 2000	
1	42114904	Main-Chassie Assy(N)	1	2	4	8	420
1	42115004	Main Chassie Assy(W)	1	2	4	8	421
2	50809201	Bottom paper end lever	1	1	2	4	
3	50931301	Pressure spring(F)	3	2	4	8	
4	53349001	Roller holder(F)	3	6	12	24	
5	53341202	Front pressure roller assembly	3	6	12	24	
6		Release shaft(N)	1	2	4	8	420
6		Release shaft(W)	1	2	4	8	421
7		Paper pan plate(N)	1	2	4	8	420
7		Paper pan plate(W)	1	2	4	8	421
8	42256301	Spring-leaf(N)	1	2	4	8	420
8	42256201	Spring-leaf(W)	1	2	4	8	421
9	50809301	Paper end lever	1	1	2	4	
10	40775901	Sensor lever	1	1	2	4	
11	51228001	Change gear	1	2	4	8	
12	51228101	Tractor gear	1	2	4	8	
13	50931401	Pressure spring(R)	3	2	4	8	
14	50931501	Pressure spring(W)	2	1	2	4	421
15	53349101	Roller holder(R)	3	6	12	24	
16	50809701	Change arm lever	1	2	4	8	
17	50809601	Switch lever	1	1	2	4	
18	51238501	Idle gear (PLT)	1	2	4	8	
19	50809501	Change lever	1	2	4	8	
20	42895401	Reset Spring D	1	2	4	8	
21	41737901	LF motor assembly	1	4	8	16	
22	53349401	Rear pressure roller(N)	1	2	4	8	420
22	53349501	Rear pressure roller(W)	1	2	4	8	421
23	50114801	Platen assembly(N)	1	3	6	12	420
23	50114901	Platen assembly(W)	1	3	6	12	421
24	40907901	Space rack gear (N)	1	3	6	12	420
24	40908001	Space rack gear (W)	1	3	6	12	421
25	50903502	Rack tension spring	1	1	2	4	
26	51022201	Guide rail plate (N)	1	1	2	4	420
26	51022301	Guide rail plate (W)	1	1	2	4	421
27	61238601	Adjust cam	1	1	2	4	
28		Carriage shaft	1	1	2	4	
28		Carriage shaft	1	1	2	4	
29	44679401	FG-Plate-L	1	1	2	4	
30	42044701	Pull-up roller assembly(N)	1	2	4	8	420
30		Pull-up roller assembly(N)	1	2	4	8	
30	42045701	Pull-up roller assembly (W)	1	2	4	8	421
30		Pull-up roller assembly(W)	1	2	4	8	
31	40355101	Idle gear 9	1	4	8	16	
32	53350302	Tractor frame assembly (R)	1	2	4	8	
33	53350202	Tractor frame assembly (L)	1	2	4	8	
34		Drive shaft	1	2	4	8	420
34		Drive shaft	1	2	4	8	421
35		Tractor sheet guide	1	2	4	8	421

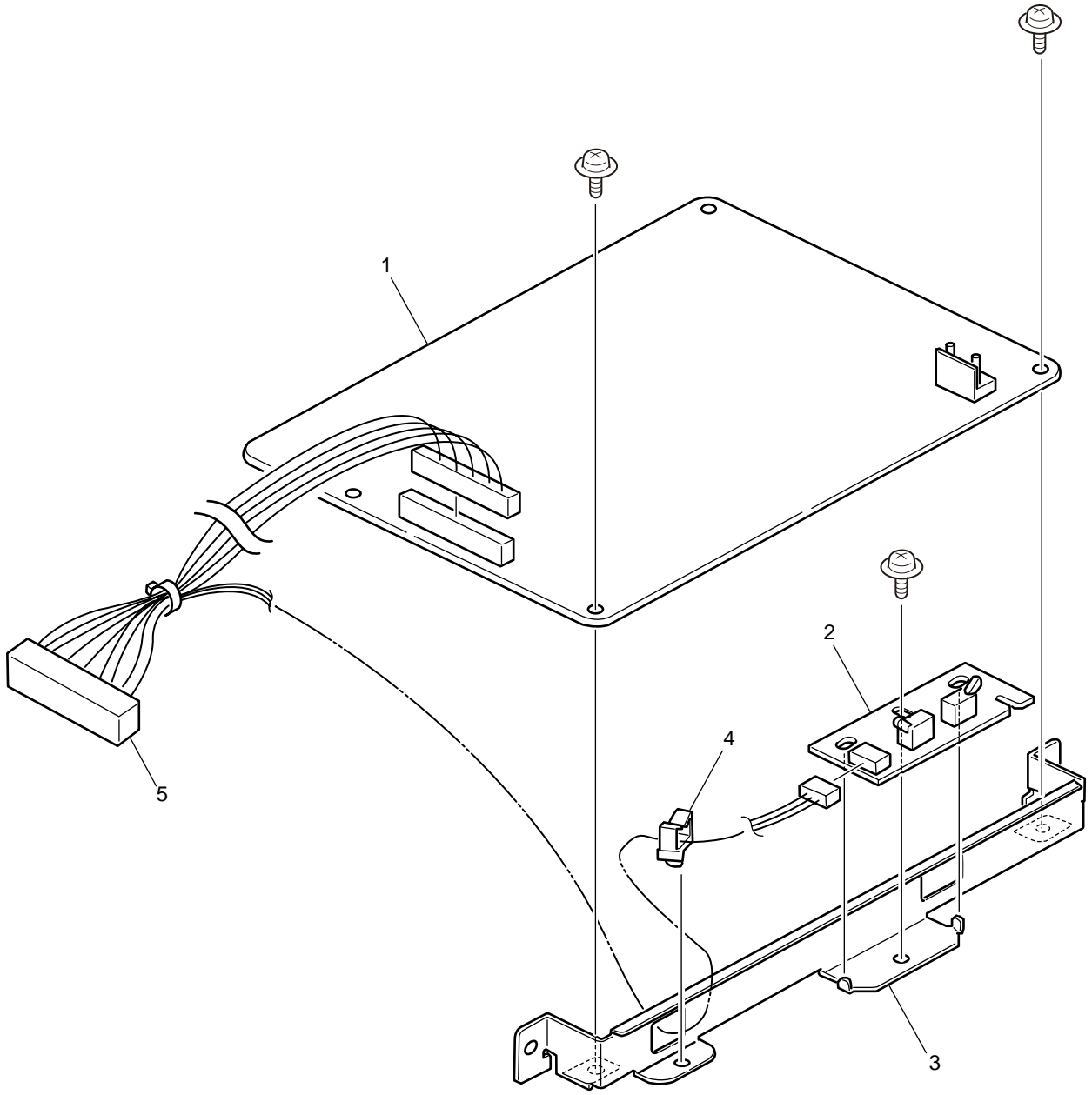
No.	Part No.	Part Name	Q'ty /Unit	Recommended Q'ty			Remarks
				per 500	per 1000	per 2000	
36	42111701	Film-Head_Cable(W)	1	2	4	8	
37		Change gear shaft	1	2	4	8	
38	42119001	3106KL-04W-B59-C04	1	4	8	16	Motor-Fan
39	42086601	Fan-Cover	1	2	4	8	
40	44749601	Sheet-Shield-Front	1	2	4	8	420
40	44749602	Sheet-Shield-Front	1	2	4	8	421
41	42105201	FG_SPRING_F	1	2	4	8	
42	PP4044-5018P001	Support spring D	1	2	4	8	
43	40689301	Cover	1	2	4	8	
44		GSSC-40-12	1	2	4	8	Core

Carriage Assy



No.	Part No.	Part Name	Q'ty /Unit	Recommended Q'ty			Remarks
				per 500	per 1000	per 2000	
1	53349801	Carriage frame	1	2	4	8	
2	40917101	Holder Assy.-Buck-up roller	1	2	4	8	
3	40493301	Guide-roller Ass	1	2	4	8	
4	42103601	SP Motor-9pin	1	4	8	16	
5	44712001	ML400's Head cable(Folding)	1	5	10	20	420
5	44712003	ML400's Head cable(Folding)	1	5	10	20	421
6	56731301	15Pin connector	1	2	4	8	
7	42348103	Gear_Case_Assy	1	3	6	12	
8	50702901	HEAD CLAMP HOLDER	1	1	2	4	
9	51022501	HEAD PLATE	1	1	2	4	
10	5377101	RIBBON PROTECTOR FRAME	1	2	4	8	
11	53343201	Back-up roller holder spring	1	1	2	4	
12	50925002	GUIDE ROLLER HOLDER SPRING	1	1	2	4	

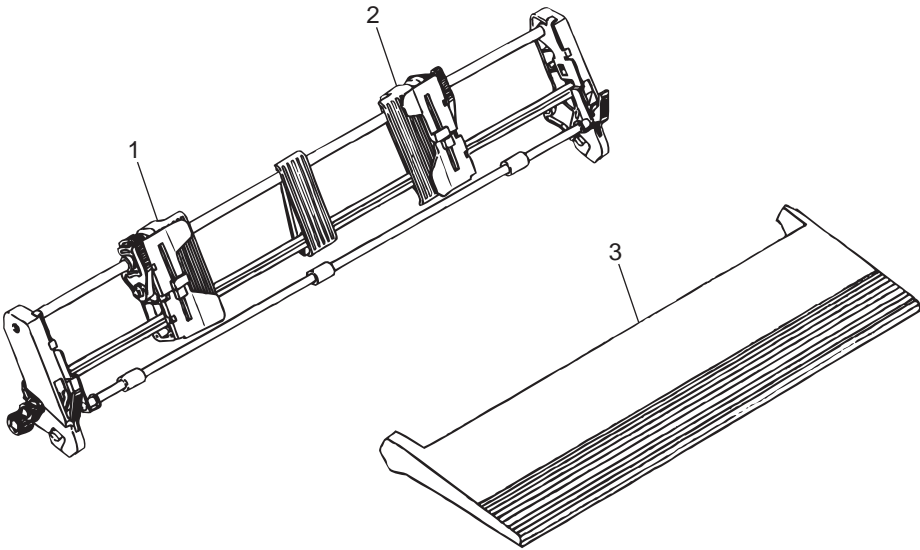
POW Assy



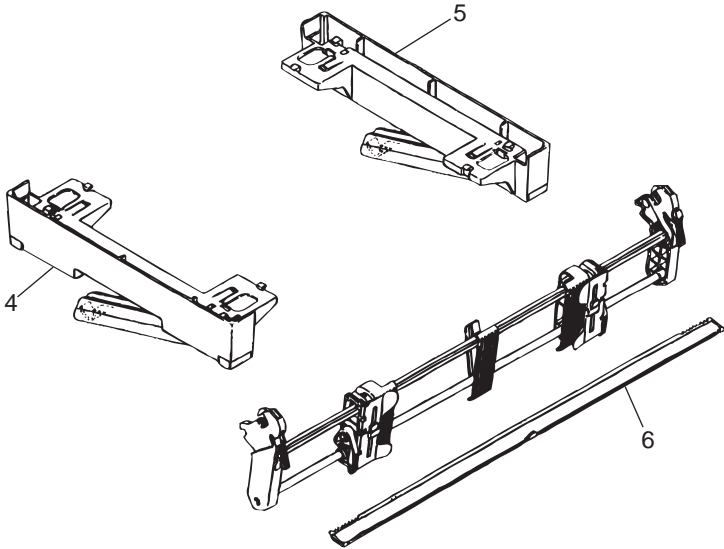
No.	Part No.	Part Name	Q'ty /Unit	Recommended Q'ty			Remarks
				per 500	per 1000	per 2000	
1	44495701	PWR unit(Spare Parts 100V)	1	5	10	20	120V
1	44495702	PWR unit(Spare Parts 200V)	1	5	10	20	230V
2	44741801	OR-Board Assy-CMS	1	2	4	8	
3	44679301	Plate-POW	1	1	2	4	
4	42959202	Mini-Saddle-RMS-2V0	1	1	2	4	
5	44591001	CONN Cord-Wire Power-DC	1	1	2	4	

Option Spare Parts

[Pull-Tractor]



[Bottom-Tractor]



No.	Part No.	Part Name	Q'ty /Unit	Recommended Q'ty			Remarks
				per 500	per 1000	per 2000	
1		Tractor assy (L)	1	2	4	8	
2		Tractor assy (R)	1	2	4	8	
3		Cover Tractor assy (N)	1	3	6	12	420
3		Cover Tractor assy (W)	1	3	6	12	421
4		Stand Assy	1	2	4	8	
5		Stand Assy	1	2	4	8	
6		Paper knife (N)	1	1	2	4	420
6		Paper knife (W)	1	1	2	4	421