

**ML420/421**  
**Spare Parts**  
**Illustration Manual**  
**For Rev "D0" and Lower**

011912A

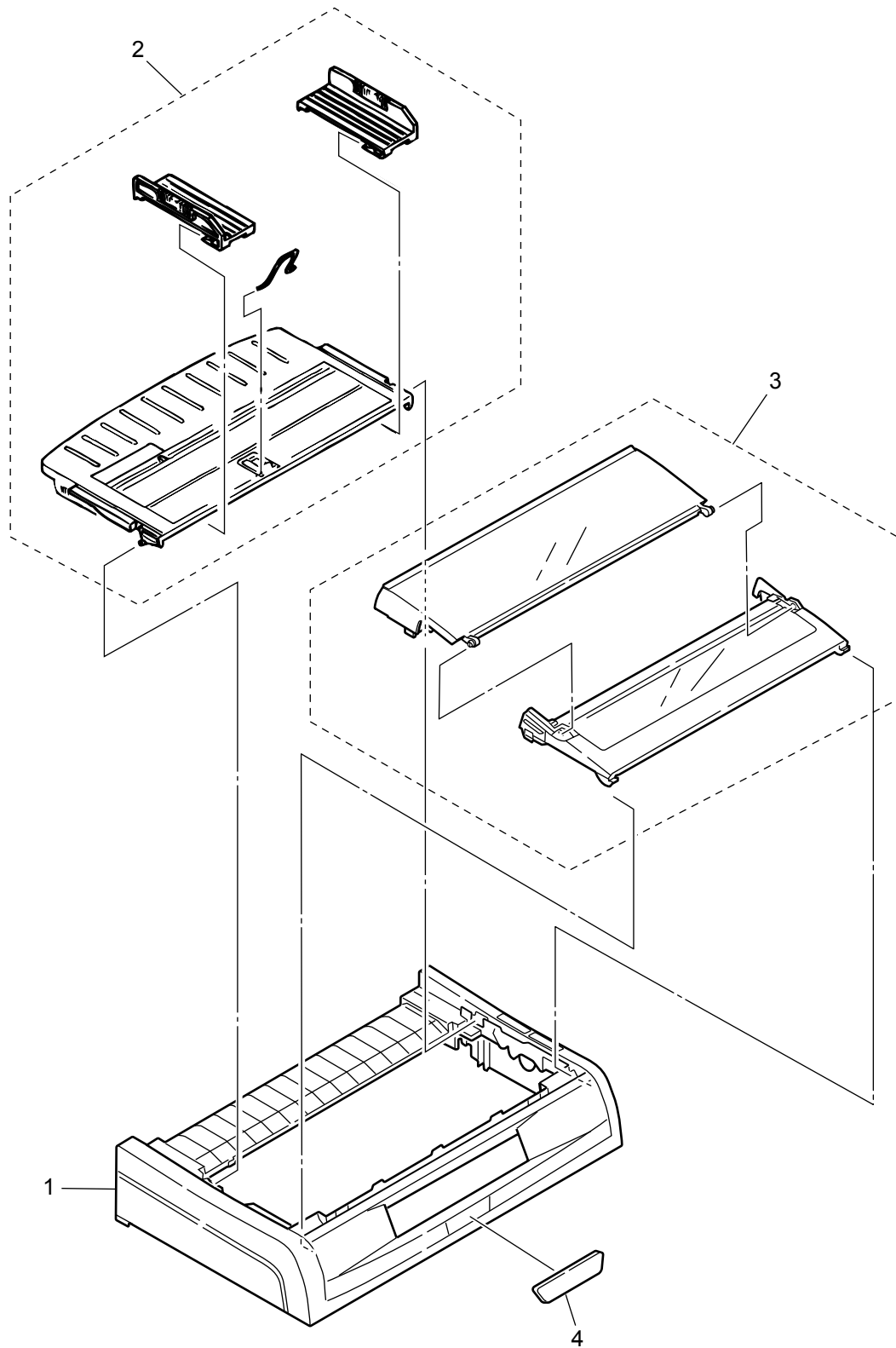


Figure B-1 Upper Cover Assy

**Table B-1 Upper Cover Assy**

No.	Part No.	Description	Qty	Qty Required	Remarks
1	42040801	Upper Cover (N)	1	2	ML420 (Beige)
	42040802	Upper Cover (N)	1	2	ML420 (Black)
	42040901	Upper Cover (W)	1	2	ML421 (Beige)
	42040902	Upper Cover (W)	1	2	ML421 (Black)
2	51009409	Sheet Gude Assy (N)	1	2	ML420 (Beige)
	40165004	Sheet Gude Assy (N)	1	2	ML420 (Black)
	51009510	Sheet Gude Assy (W)	1	2	ML421 (Beige)
	41772403	Sheet Gude Assy (W)	1	2	ML421 (Black)
3	42115401	Access Cover Assy (N)	1	2	ML420 (Beige)
	42115402	Access Cover Assy (N)	1	2	ML420 (Black)
	42115301	Access Cover Assy (W)	1	2	ML421 (Beige)
	42115304	Access Cover Assy (W)	1	2	ML421 (Black)
4	42087105	Logo Plate	1	2	ML420
	42087106	Logo Plate	1	2	ML421

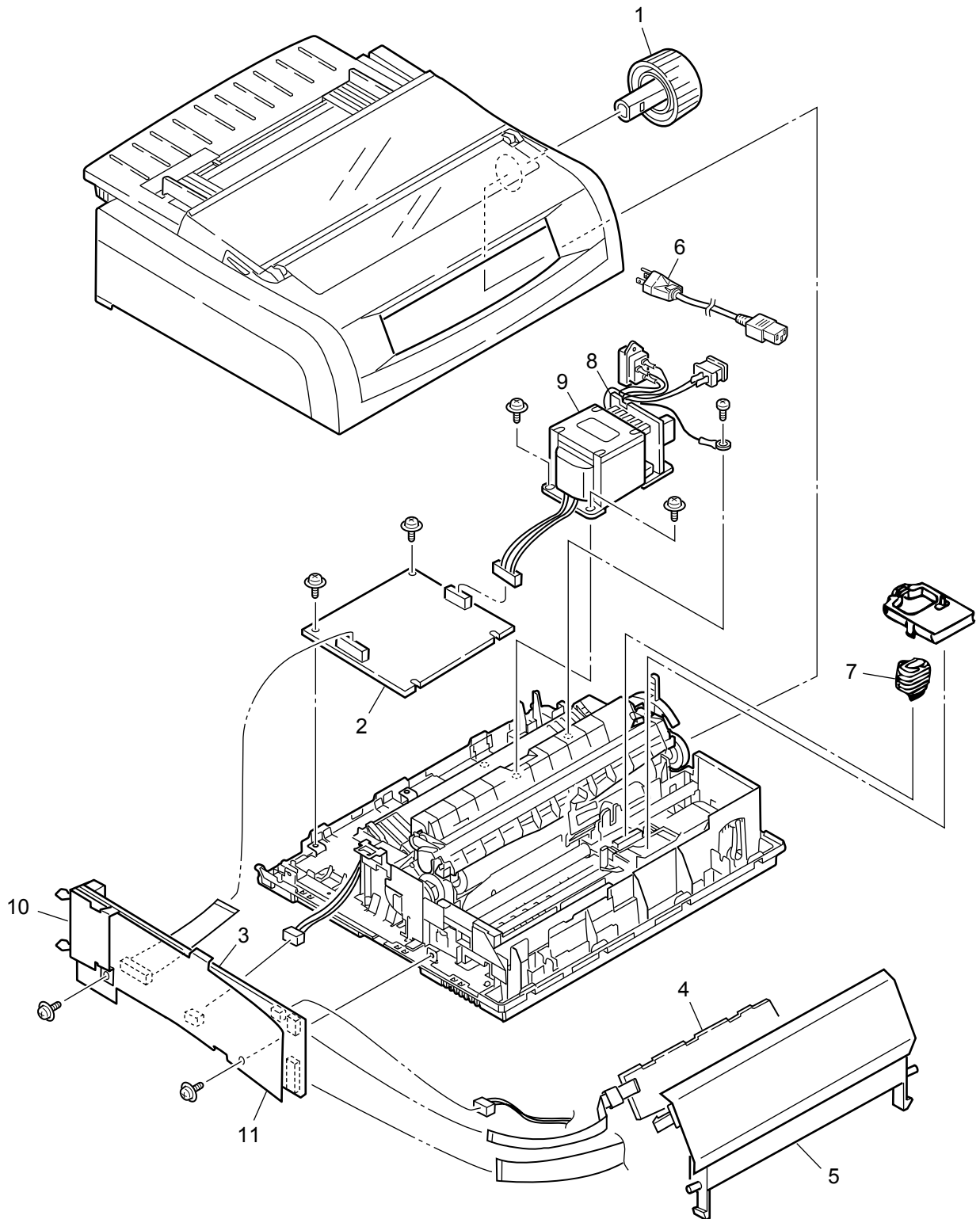


Figure B-2 Printer General Assy

**Table B-2 Printer General Assy**

No.	Part No.	Description	Qty	Qty Required	Remarks
1	51902220	Platen Knob	1	1	Beige
	40211004	Platen Knob	1	1	Black
2	42024002	Power Supply Board (TPW)	1	9	
3	42021802	Control Board (NNS)	1	9	
4	55081107	Op Panel Board (LEOP)	1	3	
5	42116101	Operation Panel	1	2	Beige
	42116405	Operation Panel	1	2	Black
6	56609701	AC Cord	1	1	120V
	41888902	AC Cord	1	1	230V
7	41923901	Printhead (9)	1	10	
8	42124701	Fuse Trans 125V (3.15A)	1	10	120V
	42124702	Fuse Trans 250V (1.6A)	1	10	230V
9	42021401	Transformer Assy	1	2	120V
	42021501	Transformer Assy	1	2	230V
10	42105001	FG Plate B	1	2	
11		PCB Sheet	1	2	

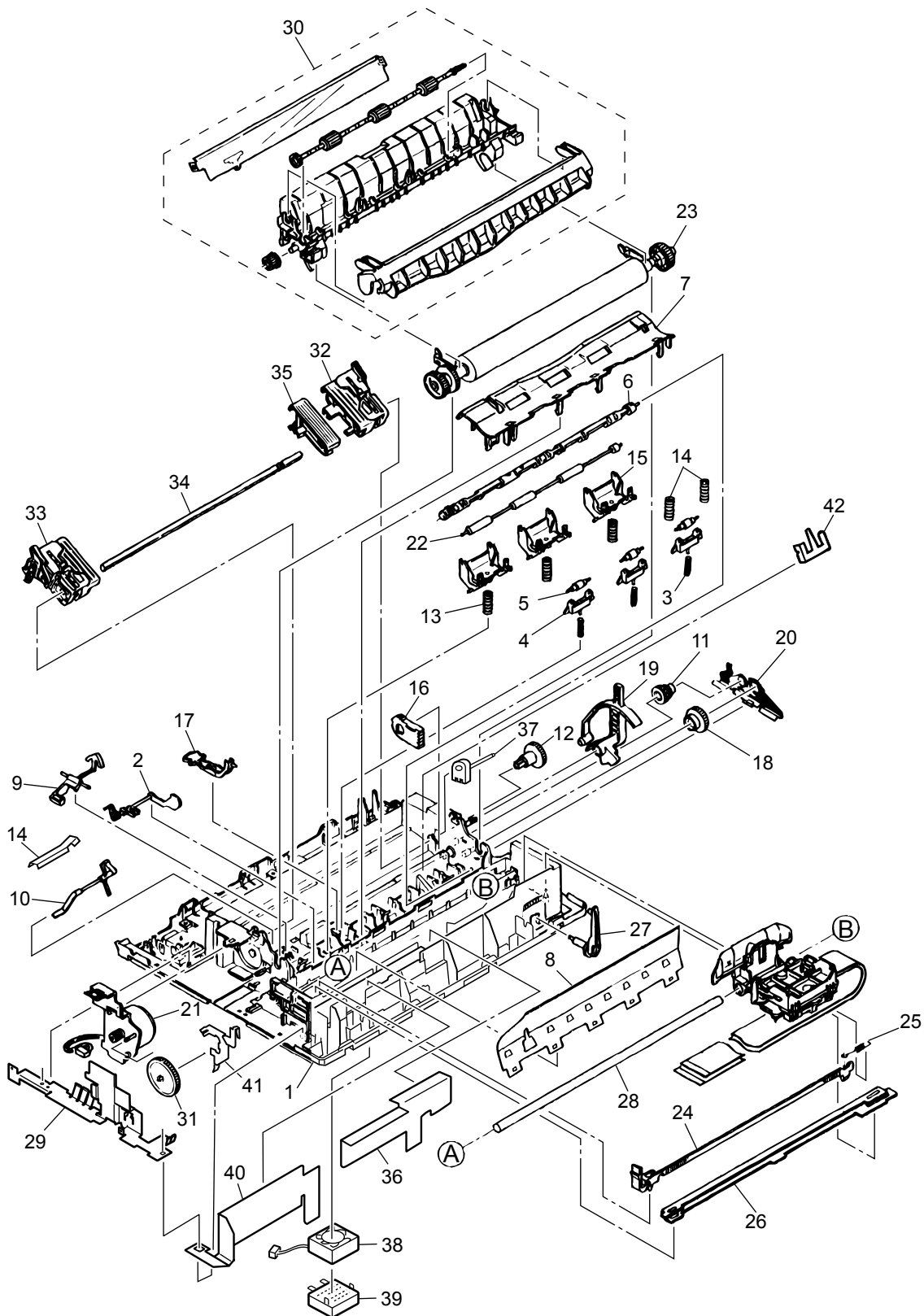


Figure B-3 Printer Unit

**Table B-3 Printer Unit (1/2)**

No.	Part No.	Description	Qty	Qty Required	Remarks
1	42114901	Main Chassis Assy (N)	1	2	ML420 (Beige)
	42114902	Main Chassis Assy (N)	1	2	ML420 (Black)
	42115001	Main Chassis Assy (W)	1	2	ML421 (Beige)
	42115003	Main Chassis Assy (W)	1	2	ML421 (Black)
2	50809201	Bottom paper end Sensor	1	1	
3	50931301	Pressure Spring (F)	3	1	ML420
	50931301	Pressure Spring (F)	5	4	ML421
4	53349001	Roller Holder (F)	3	6	ML420
	53349001	Roller Holder (F)	5	8	ML421
5	53341202	Front Pressure Roller	3	6	ML420
	53341202	Front Pressure Roller	5	8	ML421
6	51114001	Release Shaft (N)	1	2	ML420
	51114101	Release Shaft (W)	1	2	ML421
7	53349201	Paper Pan Plate (N)	1	2	ML420
	53349301	Paper Pan Plate (W)	1	2	ML421
8	42256301	Leaf Spring (N)	1	2	ML420
	42256201	Leaf Spring (W)	1	2	ML421
9	50809301	Paper End Lever	1	1	
10	40775901	Sensor Lever	1	1	
11	51228001	Change Gear	1	2	
12	51228101	Tractor Gear	1	2	
13	50931401	Pressure Spring R	3	2	ML420
	50931401	Pressure Spring R	3	2	ML421
14	50931501	Pressure Spring W	2	1	ML421
15	53349101	Roller Holder R	3	6	ML420
	53349101	Roller Holder R	5	10	ML421
16	50809701	Change Arm Lever	1	2	
17	50809601	Switch Lever	1	1	
18	51238501	Gear: Idle (PLT)	1	2	
19	50809501	Change Lever	1	2	Beige
	42439101	Change Lever	1	2	Black
20	50931601	Reset Spring D	1	2	
21	41737901	LF Motor Assy	1	4	
22	53349401	Rear Pressure Roller (N)	1	2	ML420
	53349501	Rear Pressure Roller (W)	1	2	ML421

**Table B-3 Printer Unit (2/2)**

No.	Part No.	Description	Qty	Qty Required	Remarks
23	50114801	Platen Assy (N)	1	3	
	50114901	Platen Assy (W)	1	3	
24	53349601	Space Rack Gear (N)	1	3	
	53349701	Space Rack Gear (W)	1	3	
25	50923502	Tension Spring (Space Rack)	1	1	
26	51022201	Guide Rail Plate (N)	1	1	
	51022301	Guide Rail Plate (W)	1	1	
27	51238601	Adjust Cam	1	1	
28	51114201	Carriage Shaft	1	1	ML420
	51114202	Carriage Shaft	1	1	ML421
29	42284401	FG (Weld)	1	1	
30	42044701	Pull-Up Roller Assy (N)	1	2	ML420 (Beige)
	42044703	Pull-Up Roller Assy (N)	1	2	ML420 (Black)
	42045701	Pull-Up Roller Assy (W)	1	2	ML421 (Beige)
	42045704	Pull-Up Roller Assy (W)	1	2	ML421 (Black)
31	40355101	Gear: Idle (LF Motor) 9-Pin	1	4	
32	53350302	Tractor Frame Assy R	1	2	
33	53350202	Tractor Frame Assy L	1	2	
34		Drive Shaft	1	2	ML420
		Drive Shaft	1	2	ML421
35	51022901	Tractor Sheet Guide	1	2	ML421
36	42111701	Head Cable Film (W)	1	2	ML421
37	51114301	Change Gear Shaft	1	2	
38	42119001	FAN	1	4	
39	42086601	FAN Cover	1	2	Beige
	42086602	FAN Cover	1	2	Black
40	42277201	Shield Sheet (Front)	1	2	ML421
	42277202	Shield Sheet (Front)	1	2	ML420
41	42105201	FG Spring F	1	2	
42		Support Spring	1	2	



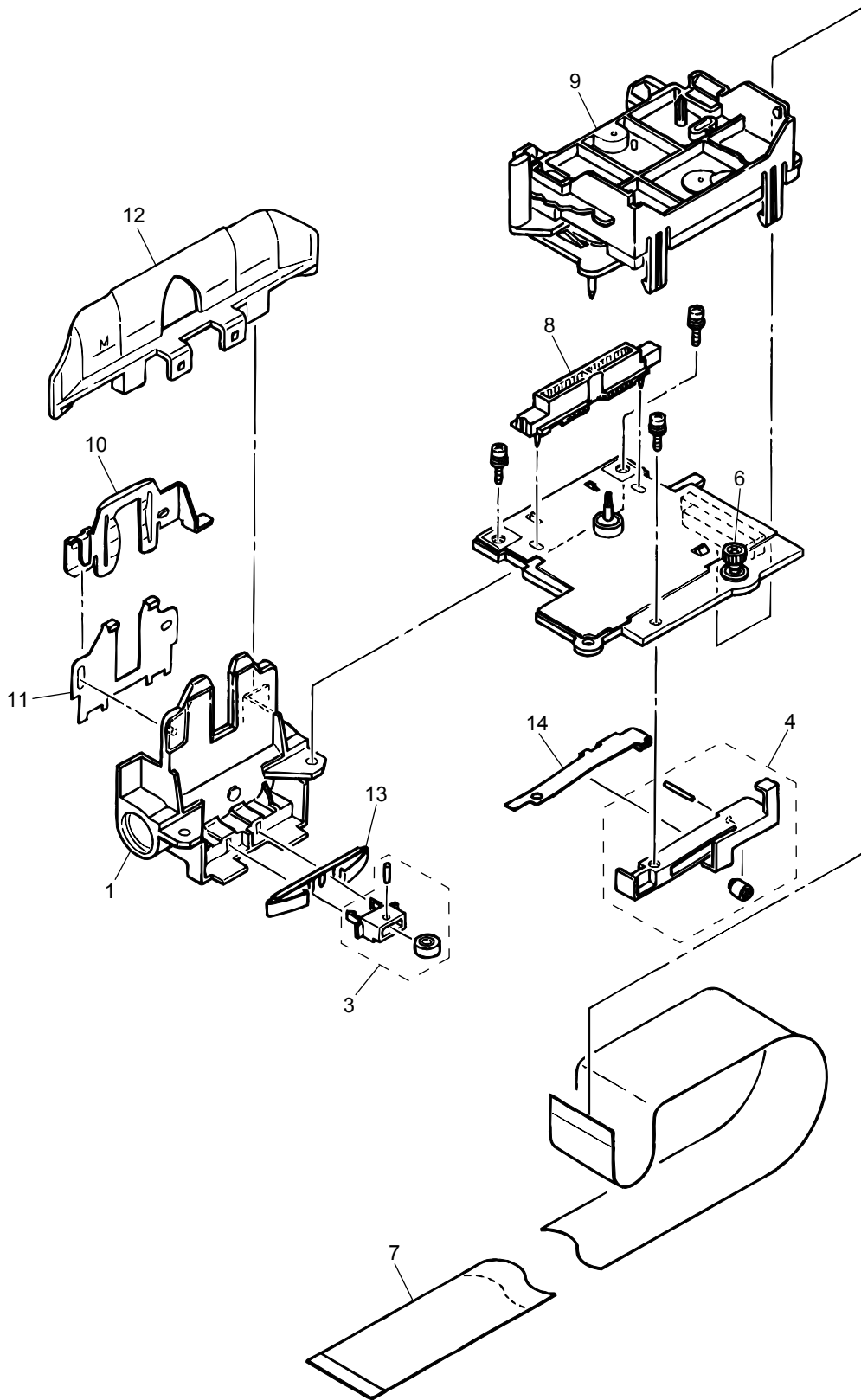
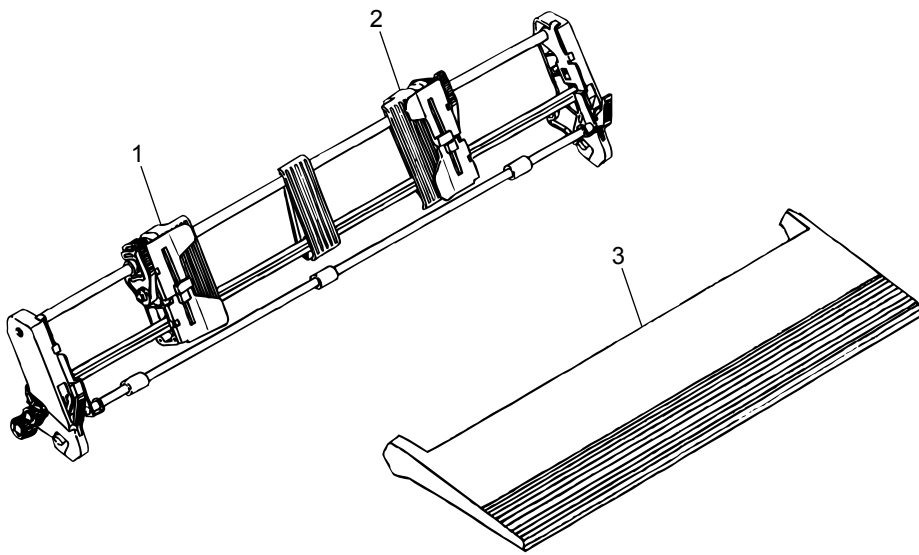


Figure B-4 Carriage Assy

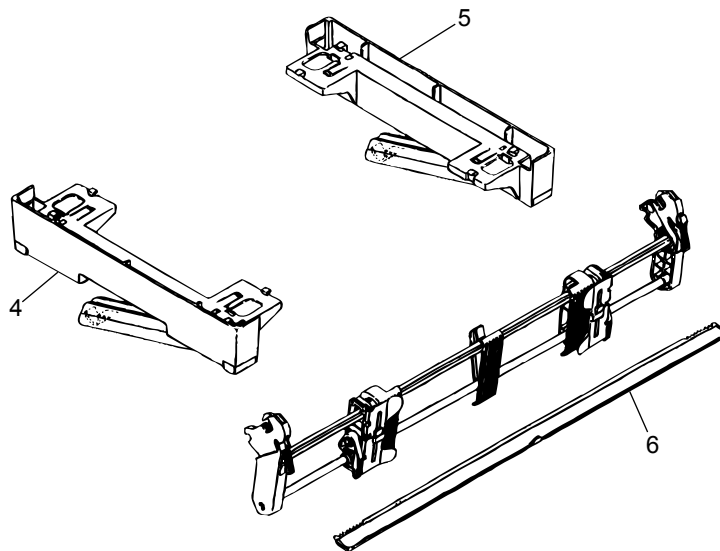
**Table B-4 Carriage Assy**

No.	Part No.	Description	Qty	Qty Required	Remarks
1	53349801	Carriage Frame Set	1	2	
2					
3	53343201	Back Up Roller Holder Assy	1	2	
4	40493301	Guide Roller Assy	1	2	
5					
6	42103601	Space Motor Assy	1	4	
7	42252703	Head Cable (23)	1	5	ML420
	42252701	Head Cable (23)	1	5	ML421
8	56731301	15 Pin Connector	1	2	
9	42348103	Gear Case Assy	1	3	
10	50702901	Head Clamp	1	1	
11	51022501	Head Plate	1	1	
12	53077101	Ribbon Protector	1	2	
13	50925002	Back Up Roller Holder Spring	1	1	
14	50931801	Guide Roller Spring	1	1	

[Pull-Tractor]



[Bottom-Tractor]



[I/F Board]

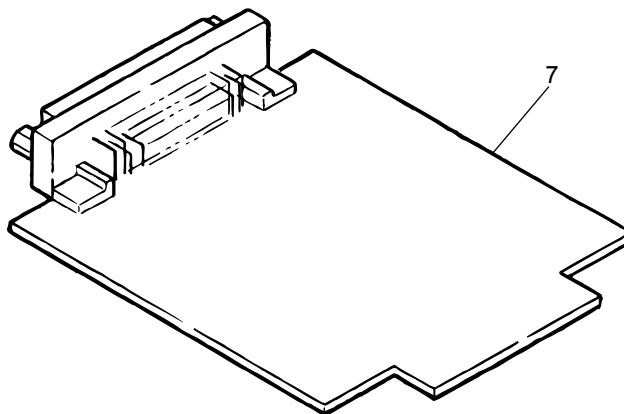


Figure B-5 Option Spare Parts

**Table B-5 Option Spare Parts**

No.	Part No.	Description	Qty	Qty Required	Remarks
1	50098001	Pull & Bottom Tractor L	1	2	
2	50097901	Pull & Bottom Tractor R	1	2	
3	53077201	Tractor Cover Assy (N)	1	3	ML420
	53077301	Tractor Cover Assy (W)	1	3	ML421
4	51902301	Bottom Push Stand L	1	2	Beige
	42451601	Bottom Push Stand L	1	2	Black
5	51902302	Bottom Push Stand R	1	2	Beige
	42451602	Bottom Push Stand R	1	2	Black
6	50098701	Paper Knife (N)	1	1	ML420
	50098801	Paper Knife (W)	1	1	ML421
7	50098901	RS232 I/F Board (LXHI)	1	3	