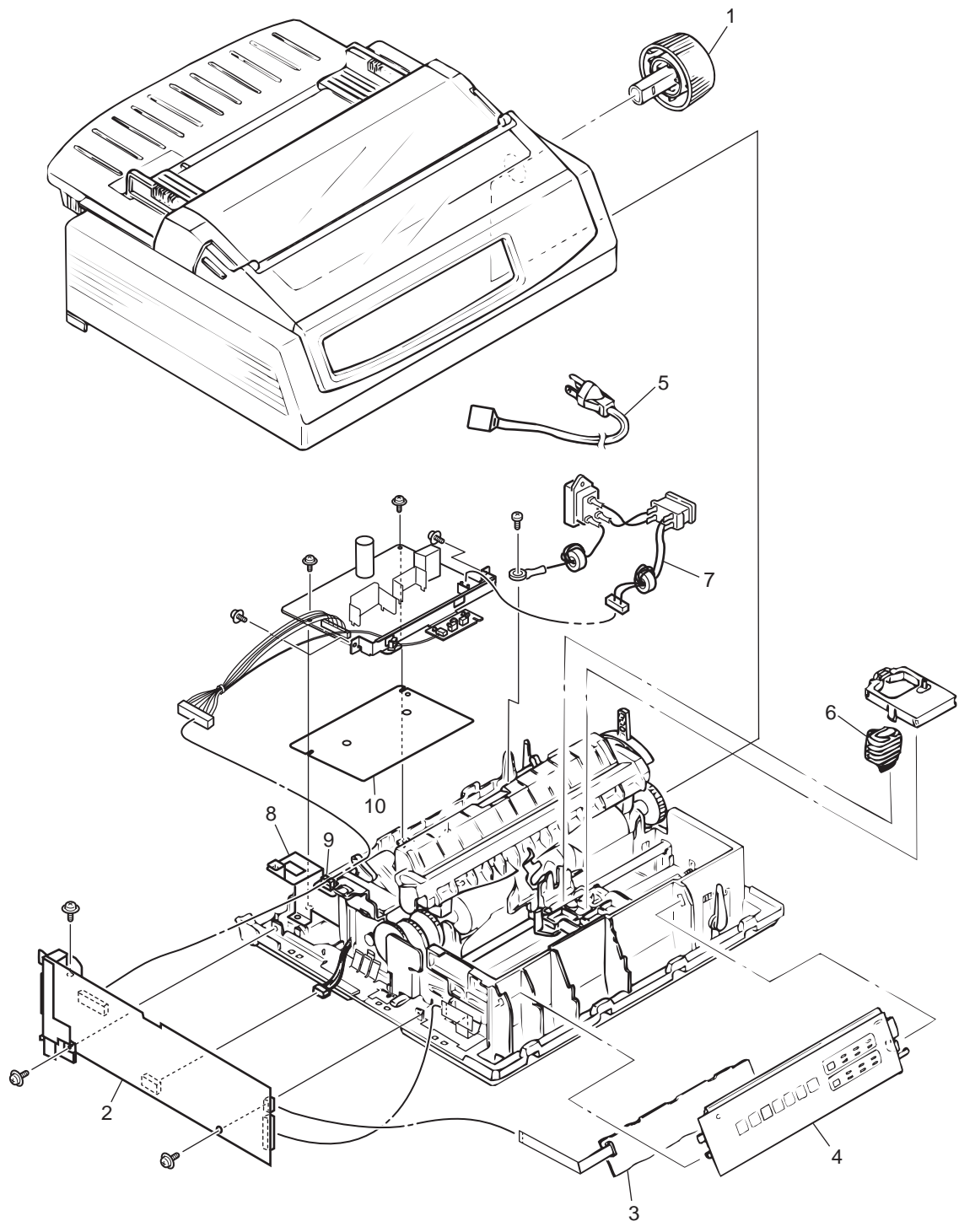


ML320/321 Turbo Spare Parts Illustration Manual For Rev "10" and Higher

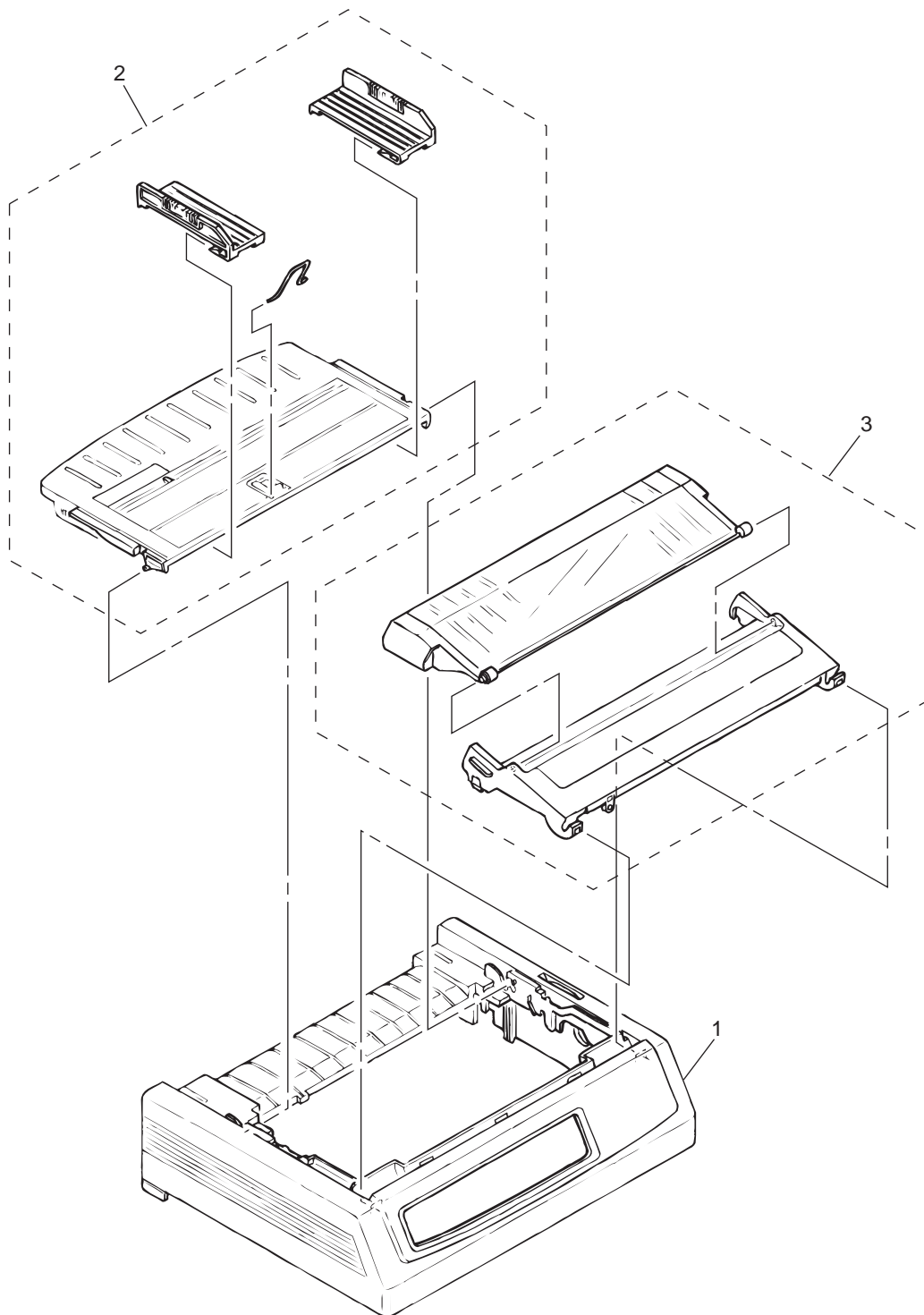
031915E

Printer General Assy



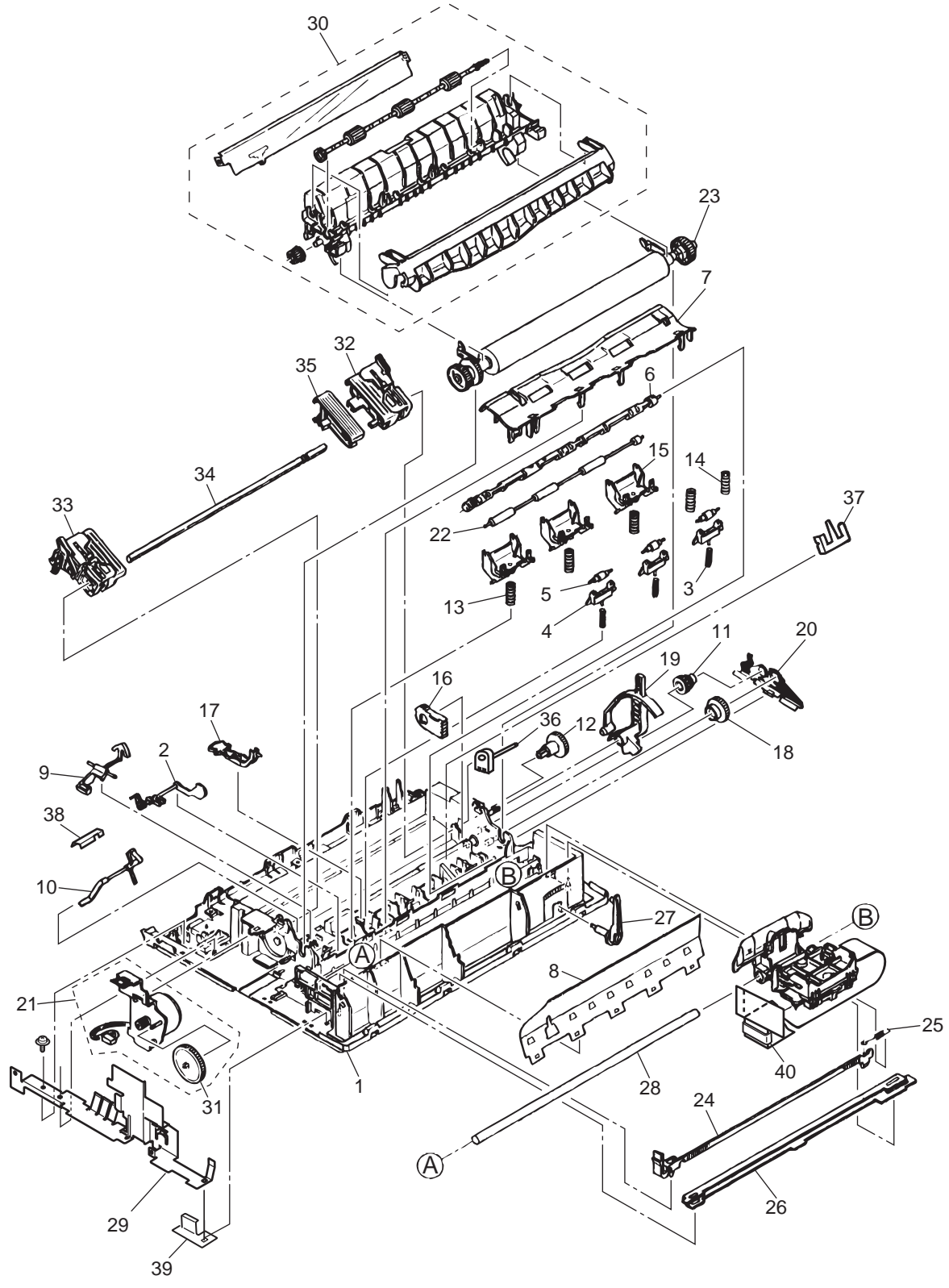
No.	Part No.	Part Name	Q'ty /Unit	Recommended Q'ty			Remarks
				per 500	per 1000	per 2000	
1	51902220	Platen knob	1	1	2	4	
2	44779901	EXB-PCB Assy.maintenance	1	5	10	20	
3	40174212	OPE PCB assembly LEOP	1	2	4	8	
4		Operation panel assembly affix	1	2	4	8	
5		AC Cord B	1	1	2	4	
6	50114601	Print head(9)	1	10	20	40	
7	44591101	CONN Cord-Wire AC INLET-SW	1	1	2	4	ML320
7	44591102	CONN Cord-Wire AC INLET-SW	1	1	2	4	ML321
8	44587101	Bracket-NIC	1	1	2	4	
9	42959202	Mini-Saddle-RMS-2V0	1	1	2	4	
10	44743801	Sheet-Insulation	1	1	2	4	

Upper Cover Assy



No.	Part No.	Part Name	Q'ty /Unit	Recommended Q'ty			Remarks
				per 500	per 1000	per 2000	
1	40151513	Upper Cover (N)	1	2	4	8	320T
1	40281709	Cover-Upper	1	2	4	8	321T
1		Upper Cover (N)	1	2	4	8	
1		Cover-Upper	1	2	4	8	
2		Sheet guide assembly(N)	1	2	4	8	
2		Sheet guide assembly(W)	1	2	4	8	
3	53076701	Access cover assembly(N)	1	2	4	8	
3	53076801	Access cover assembly(W)	1	2	4	8	

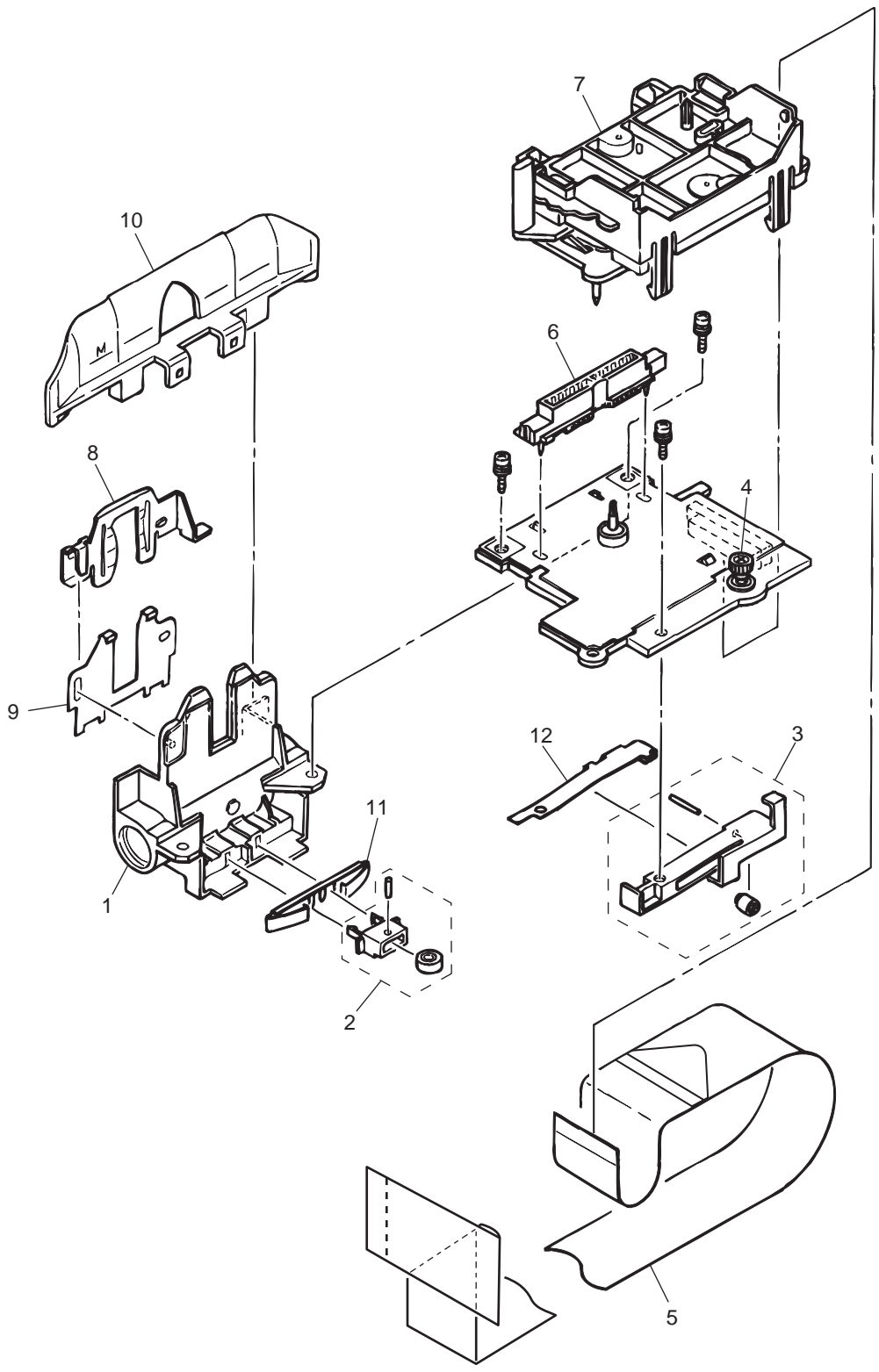
Printer Unit



No.	Part No.	Part Name	Q'ty /Unit	Recommended Q'ty			Remarks
				per 500	per 1000	per 2000	
1		Main chassis assembly(N)	1	2	4	8	
1		Main Chassis Assy (W)	1	2	4	8	
2		Bottom paper end lever	1	1	2	4	
3		Pressure spring(F)	3	2	4	8	
3		Pressure spring(F)	5	4	8	16	
4		Roller holder(F)	3	6	12	24	
5		Front pressure roller assembly	3	6	12	24	
6		Release shaft(N)	1	2	4	8	
6		Release shaft(W)	1	2	4	8	
7		Paper pan plate(N)	1	2	4	8	320T,320
7		Paper pan plate(W)	1	2	4	8	321T,321
8		Leaf spring(N)	1	2	4	8	320T,320
8		Leaf spring(W)	1	2	4	8	321T,321
9		Paper end lever	1	1	2	4	
10	40775901	Sensor lever	1	1	2	4	
11	51228001	Change gear	1	2	4	8	
12	51228101	Tractor gear	1	2	4	8	
13		Pressure spring(R)	3	2	4	8	
14		Pressure spring(W)	2	1	2	4	
15		Roller holder(R)	3	6	12	24	
16	50809701	Change arm lever	1	2	4	8	
17	50809601	Switch lever	1	1	2	4	
18	51238501	Idle gear (PLT)	1	2	4	8	
19	50809501	Change lever	1	2	4	8	
20	42895401	Reset spring D	1	2	4	8	
21	41737901	LF motor assembly	1	4	8	16	
22		Rear pressure roller(N)	1	2	4	8	
22		Rear pressure roller(W)	1	2	4	8	
23	50114801	Platen assembly(N)	1	3	6	12	320T,320
23	50114901	Platen assembly(W)	1	3	6	12	321T,321
24	40907901	Space rack gear (N)	1	3	6	12	320T,320
24	40908001	Space rack gear (W)	1	3	6	12	321T,321
25	40907901	Rack tension spring	1	1	2	4	
26		Guide rail plate (N)	1	1	2	4	
26		Guide rail plate (W)	1	1	2	4	
27		Adjust cam	1	1	2	4	
28		Carriage shaft	1	1	2	4	
28		Carriage shaft	1	1	2	4	
29	44679401	FG-Plate-L	1	1	2	4	
30	50411001	Pull-up roller assembly(N)	1	2	4	8	320T, 320
30	50411101	Pull-up roller assembly(W)	1	2	4	8	321T, 321
31	40355101	Idle gear 9	1	4	8	16	
32	53350302	Tractor frame assembly (R)	1	2	4	8	
33	53350202	Tractor frame assembly (L)	1	2	4	8	
34		Drive shaft	1	2	4	8	
34		Drive shaft	1	2	4	8	
35		Tractor sheet guide	1	2	4	8	
36		Change gear shaft	1	2	4	8	

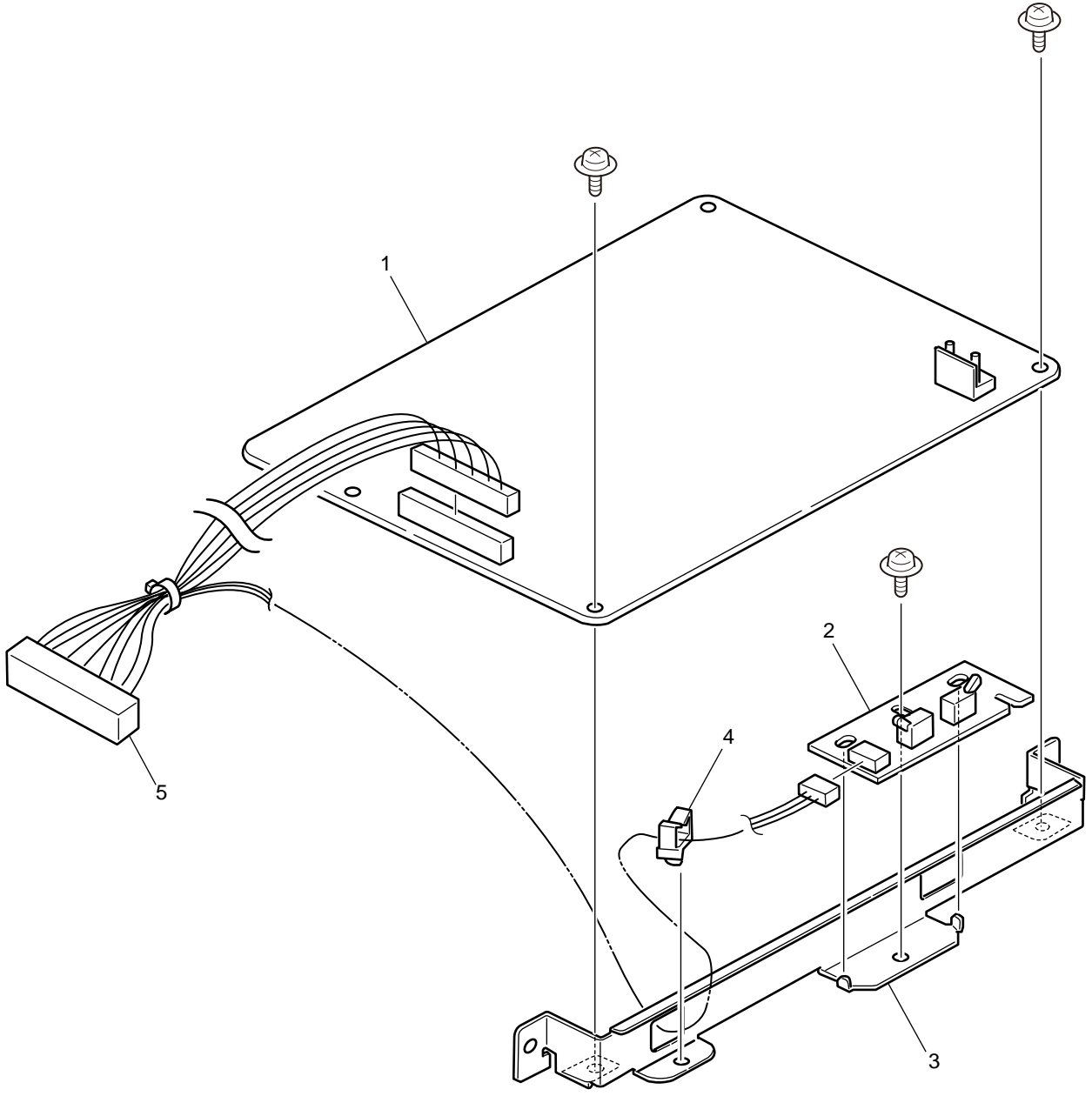
No.	Part No.	Part Name	Q'ty /Unit	Recommended Q'ty			Remarks
				per 500	per 1000	per 2000	
37		Support spring D	1	2	4	8	
38		Cover	1	2	4	8	
39		Film-Cable_Guide	1	2	4	8	
40		GSSC-40-12	1	2	4	8	Core

Carriage Assy



No.	Part No.	Part Name	Q'ty /Unit	Recommended Q'ty			Remarks
				per 500	per 1000	per 2000	
1	53349801	Carriage frame	1	2	4	8	
2			1	2	4	8	
3	53343201	Back-up roller holder assy.	1	2	4	8	
4	53341901	Guide Roller	1	4	8	16	
5	53350101	Guide Roller Holder	1	5	10	20	320T,3320
6	56513701	Spaace Motor Assy.	1	5	10	20	321T,3321
			1	2	4	8	
7	44711901	ML300T's Head cable(Folding)	1	3	6	12	ML320
7	44711903	ML300T's Head cable(Folding)					ML321
8	56731301	15 Pin Connector	1	1	2	4	
9	51238801	GEAR CASE ASSEMBLY	1	1	2	4	
10	50709001	Head Clamp	1	2	4	8	
11	51022501	Head Plate	1	1	2	4	
12	53077101	Ribbon Protector	1	1	2	4	
13	50925001	Back Roller Holder Spring	1	1	2	4	ML320, 321
14	50931801	Guide Roller spring	1	1	2	4	ML320 321

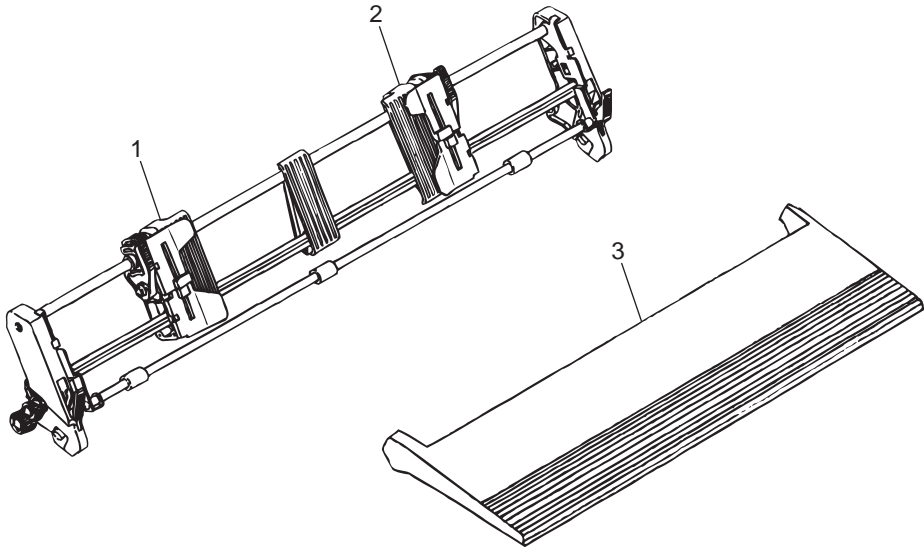
POW Assy



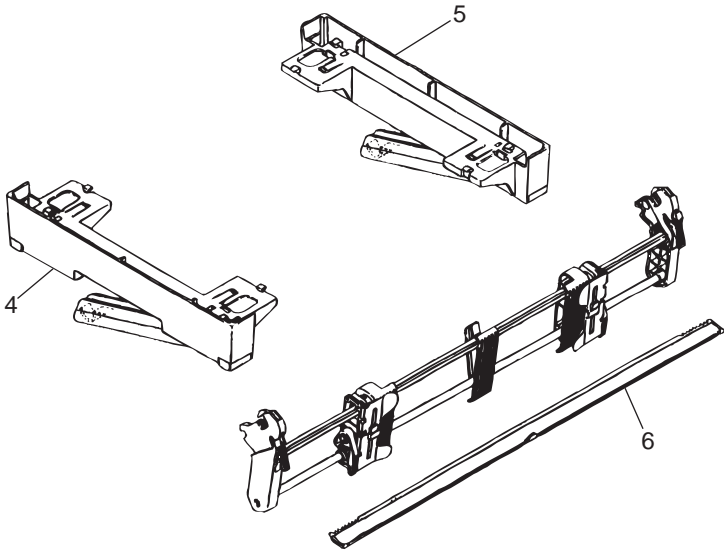
No.	Part No.	Part Name	Q'ty /Unit	Recommended Q'ty			Remarks
				per 500	per 1000	per 2000	
1	44495701	PWR unit(Spare Parts 100V)	1	5	10	20	120V
1	44495702	PWR unit(Spare Parts 200V)	1	5	10	20	230V
2	44741801	OR-Board Assy-CMS	1	2	4	8	
3	44679301	Plate-POW	1	1	2	4	
4	42959202	Mini-Saddle-RMS-2V0	1	1	2	4	
5	44591001	CONN Cord-Wire Power-DC	1	1	2	4	

Option Spare Parts

[Pull-Tractor]



[Bottom-Tractor]



No.	Part No.	Part Name	Q'ty /Unit	Recommended Q'ty			Remarks
				per 500	per 1000	per 2000	
1		Tractor assy (L)	1	2	4	8	
2		Tractor assy (R)	1	2	4	8	
3		Cover Tractor assy (N)	1	3	6	12	320T,3320
3		Cover Tractor assy (W)	1	3	6	12	321T,3321
4		Stand Assy	1	2	4	8	
5		Stand Assy	1	2	4	8	
6		Paper knife (N)	1	1	2	4	320T,3320
6		Paper knife (W)	1	1	2	4	321T,3321