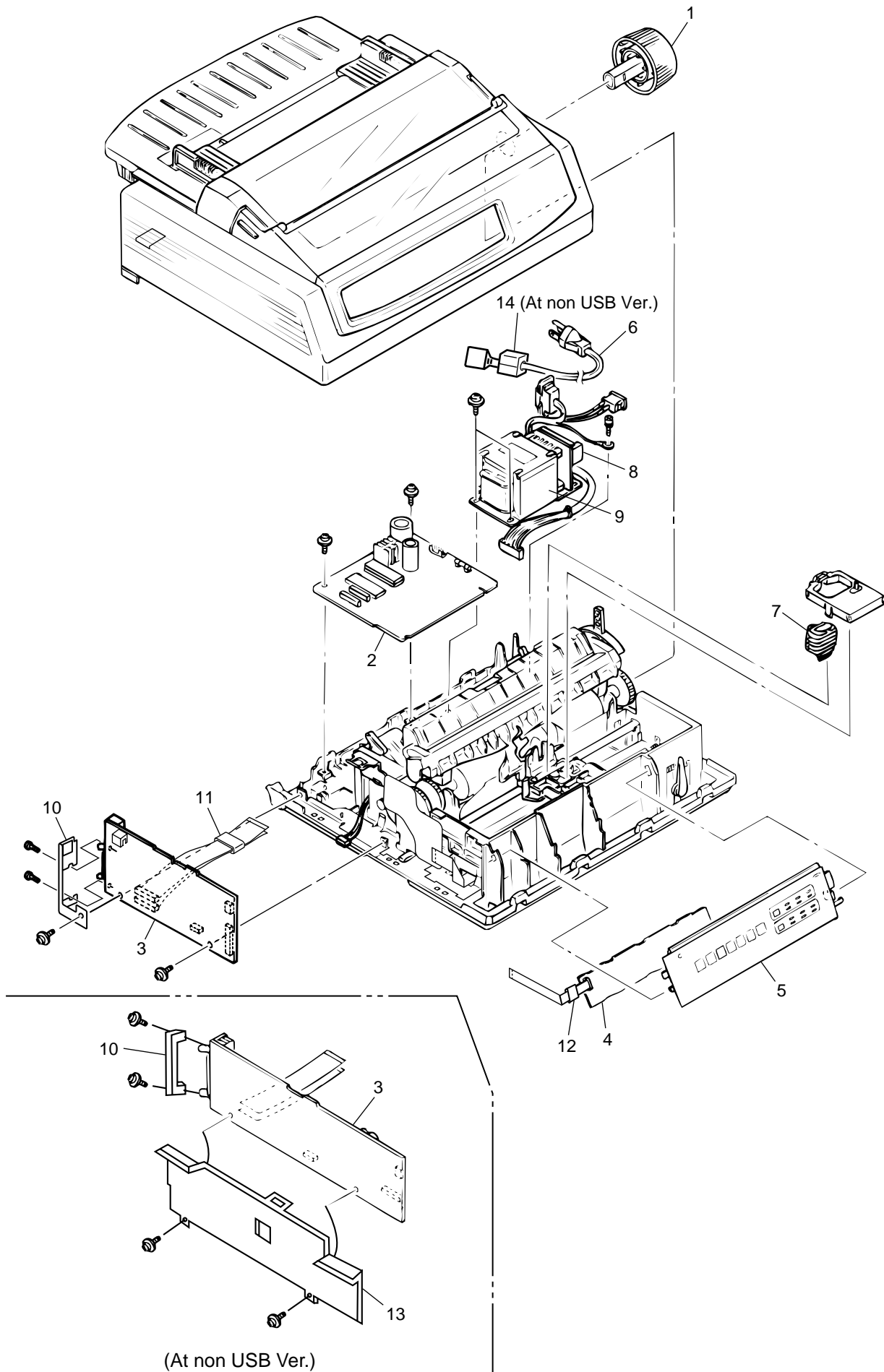


ML320/321 Turbo Spare Parts Illustration Manual For Rev "H0" and Lower

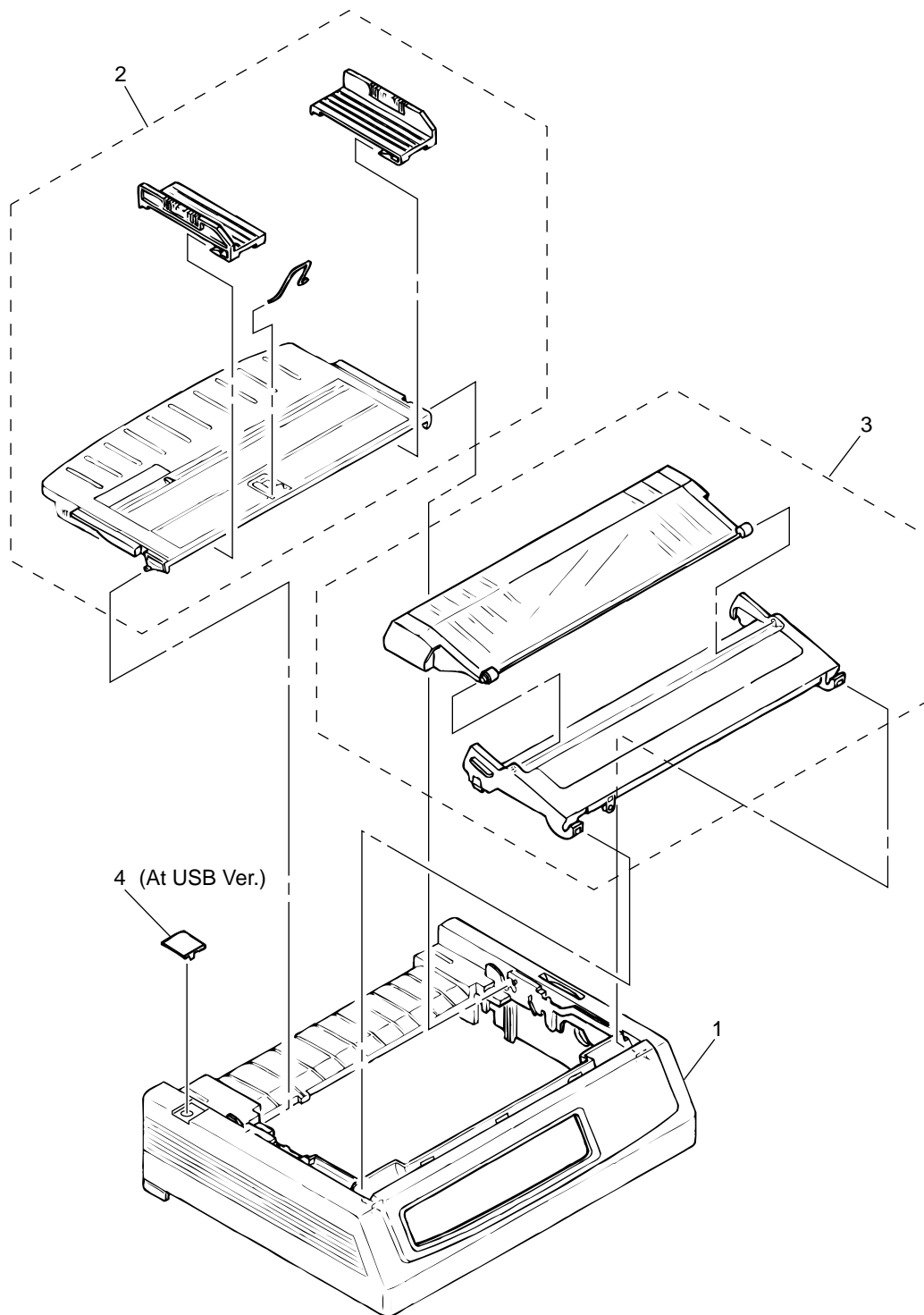
021008C

Printer General Assy



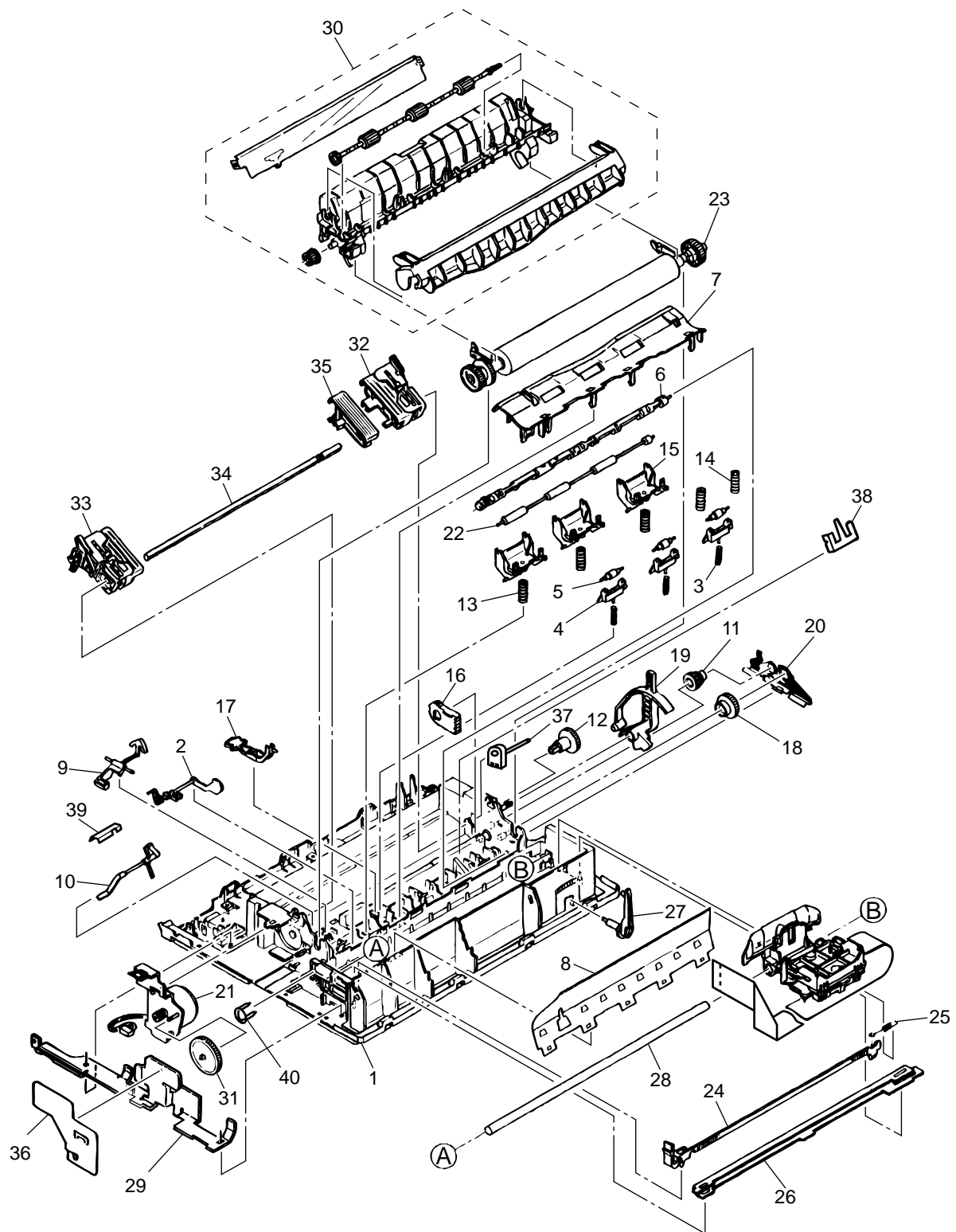
No.	Part No.	Part Name	Remarks
1	51902220	Platen knob	
2	40900710	Board-AOO-2	320/1 Rev A, B, C
	41865502	Board-AOU	320/1 Rev D, E, F
	43777102	OR-Board-AOE	320/1 Rev G ~
3	43432301	PCB assembly SDF	320/1 Rev A, B, C
	43432404	Board-DVF	320/1 Rev D, E, F
	43777202	OR-Board-DVE	320/1 Rev G ~
4	55081103	PCB-Operation panel	320/1 Rev A, B, C
	42627901	PCB-Operation panel	Rev D and E
	42627902	PCB-Operation panel	Rev F0 and G0
	40174211	OPE PCB assembly LEOP	Rev G0, H0 ~
5	50221901	Operation panel assembly	
6	56631801	Cord: AC 120V	
7	50114601	Print head(9)	
8	56306101	Fuse- 125V, 2.5A	For 120V units
	56306504	Fuse- 250V, 1A	For 230/240V
9	41653401	PWR unit- For 120V	320/1
	56415402	PWR unit- For 230/240V	320/1
10	42043901	Plate-I/F	320/1 USB
	40045601	FG Plate	320/1 Non USB
11		SSC-33.5/	N/A
12		K5BFS16*5*20-0.8	ODA 320/1T 120V Rev ~ F0 ODA 320T 230V Rev ~ G0 ODA 321T 230V Rev ~ F0 N/A
13	51022801	PCB Plate	320/1 Non USB
14			N/A

Upper Cover Assy



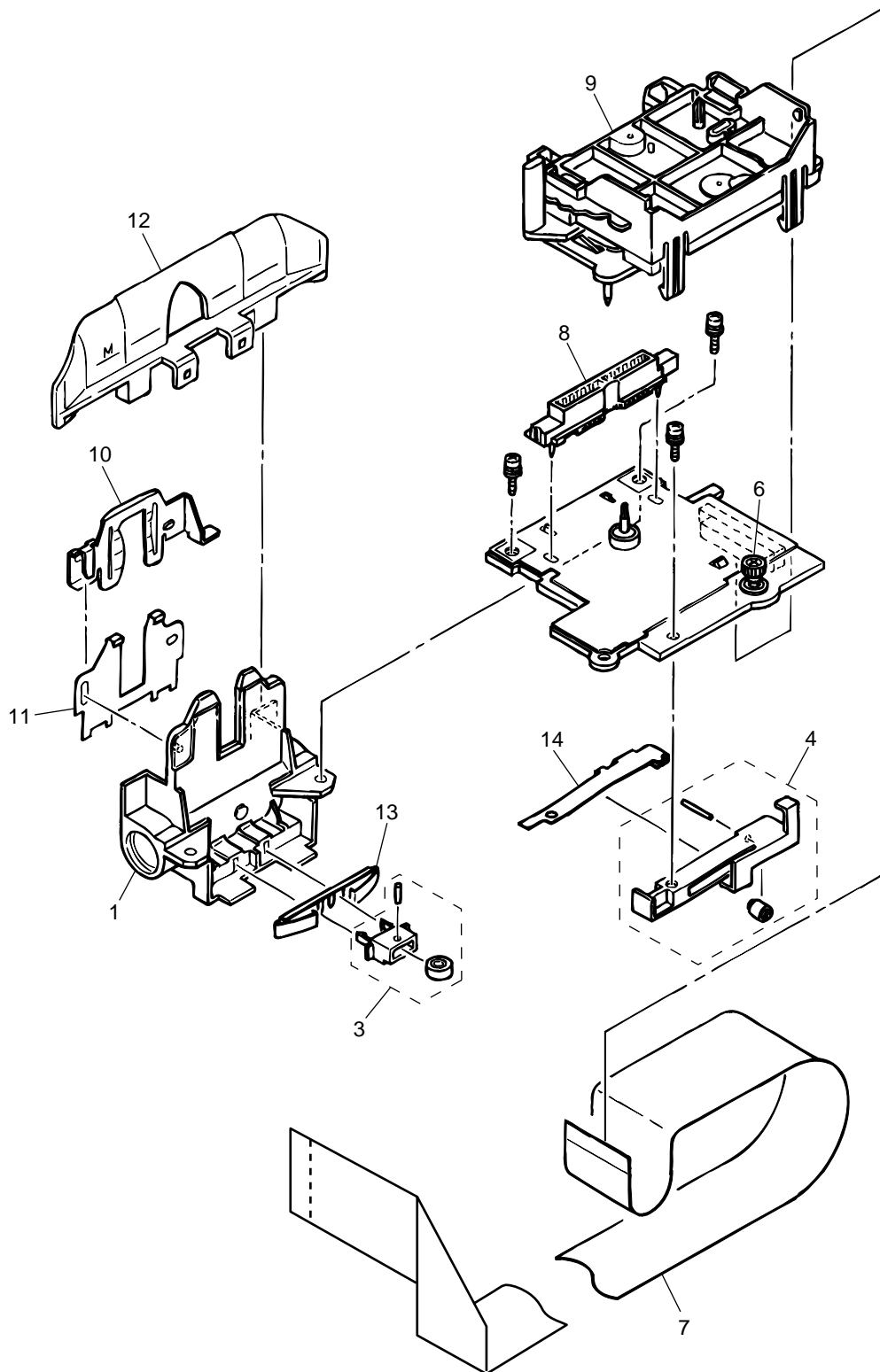
No.	Part No.	Part Name	Remarks
1	53076506	Upper Cover(N)	320T Rev A, B, C
	53076606	Upper Cover(W)	321T Rev A, B, C
	42044202	Upper Cover(N)	320T USB Ver.
	42044402	Upper Cover(W)	321T USB Ver
2	51009409	Sheet guide assembly(N)	320T
	51009510	Sheet guide assembly(W)	321T
3	53076701	Access cover assembly(N)	320T
	53076801	Access cover assembly(W)	321T
4	42044501	Cover-CSF conector	

Printer Unit



No.	Part No.	Part Name	Remarks
1	53348801	Main chassis assembly(N)	320T
	53348901	Main chassis assembly(W)	321T
2	50809201	Bottom paper end lever	
3	50931301	Pressure spring(F)	320T
	50931302	Pressure spring(F)	321T
4	53349001	Roller holder(F)	320T
	53349001	Roller holder(F)	321T
5	53341202	Front pressure roller assembly	320T
	53341202	Front pressure roller assembly	321T
6	51114001	Release shaft(N)	320T
	51114101	Release shaft(W)	321T
7	53349201	Paper pan plate(N)	320T
	53349301	Paper pan plate(W)	321T
8	50923001	Leaf spring(N)	320T
	50923101	Leaf spring(W)	321T
9	50809301	Paper end lever	
10	40775901	Sensor lever	
11	51228001	Change gear	
12	51228101	Tractor gear	
13	40999301	Pressure spring(R)	320T / 321T
14	50931501	Pressure spring(W)	321T
15	53349101	Roller holder(R)	320T
	53349101	Roller holder(R)	321T
16	50809701	Change arm lever	
17	50809601	Switch lever	
18	51238501	Idle gear (PLT)	
19	50809501	Change lever	
20	42895401	Reset spring D	
21	41737901	LF motor assembly	
22	40999401	Rear pressure roller(N)	320T
	53349501	Rear pressure roller(W)	321T
23	50114801	Platen assembly(N)	320T
	50114901	Platen assembly(W)	321T
24	40907901	Space rack gear (N)	320T
	40908001	Space rack gear (W)	321T
25	50923502	Rack tension spring	
26	51022201	Guide rail plate (N)	320T
	51022301	Guide rail plate (W)	321T
27	51238601	Adjust cam	
28	51114201	Carriage shaft	320T
	51114202	Carriage shaft	321T
29	42046701	FG-plate	
30	50411001	Pull-up roller assembly(N)	320T
	50411101	Pull-up roller assembly(W)	321T
31	40355101	Idle gear 9	
32	53350302	Tractor frame assembly (R)	
33	53350202	Tractor frame assembly (L)	
34	51114403	Drive shaft	320T
	51114404	Drive shaft	321T
35	51022901	Tractor sheet guide	321T
36	51022701	FG plate (A)	
37	51114301	Change gear shaft	
38		Support spring D	N/A
39		Cover	N/A
40	40383601	Spring-shaft	Not stocked

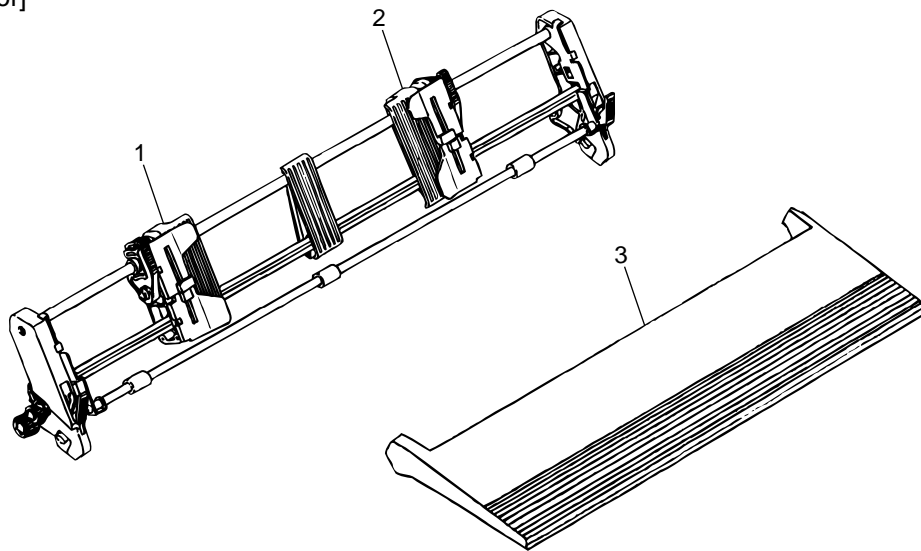
Carriage Assy



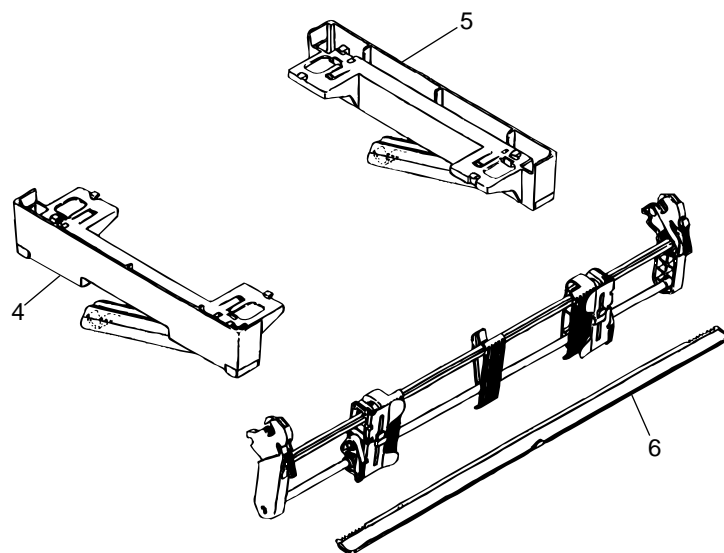
No.	Part No.	Part Name	Remarks
1	53349801	Carriage frame	
3	40917101	Back up roller holder assy	
4	40493301	Guide Roller Holder Assy	
6	56513701	SP motor assembly 9	
7	42110701	Head cable(bending)	320T - USB
7	42110702	Head cable(bending)	321T - USB
7	56633801	HEAD CABLE(9N)	320T Rev A, B, C
7	56633802	HEAD CABLE(9W)	321T Rev A, B, C
8	56731301	15Pin connector	
9	51238801	GEAR CASE ASSEMBLY	
10	50709001	HEAD CLAMP HOLDER	
11	51022501	HEAD PLATE	
12	53077101	RIBBON PROTECTOR FRAME	
13	50925001	Back up roller holder spring	
14	50931801	GUIDE ROLLER HOLDER SPRING	

Option Spare Parts

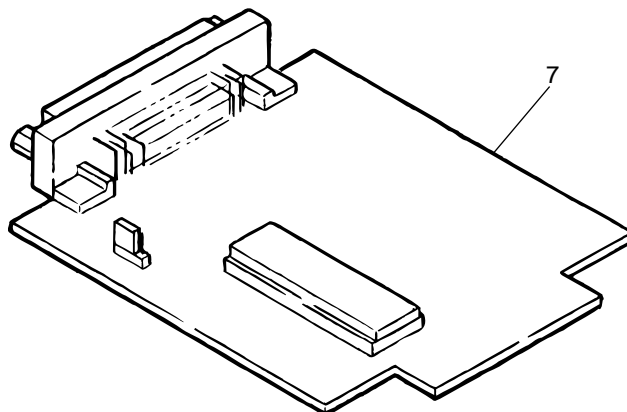
[Pull-Tractor]



[Bottom-Tractor]



[I/F Board]



No.	Part No.	Part Name	Remarks
1	50098001	Tractor assy (L)	Option
2	50097901	Tractor assy (R)	Option
3	53077201	Cover Tractor assy (N)	320T Option
3	53077301	Cover Tractor assy (W)	321T Option
4	51902301	Stand Assy (L)	Option
5	51902302	Stand Assy (R)	Option
6	50098701	Paper knife (N)	320T Option
6	50098801	Paper knife (W)	321T Option
7	55038901	Board-LXHI (RS232)	Serial PCB Option