

# OKIDATA®

---

## MICROLINE 320/321 Turbo USB Version PRINTER

### Maintenance Manual

2002-03-28 Rev.1

### Document Revision History

| Rev.No. | Date       | Corrected items |      |                       | Person in charge |
|---------|------------|-----------------|------|-----------------------|------------------|
|         |            | No.             | Page | Description of change |                  |
| 1       | 2002-03-28 |                 |      | ISSUE                 |                  |
|         |            |                 |      |                       |                  |

## **PREFACE**

This maintenance manual describes how to maintain the Microline 320/321 Turbo USB Version printer in the field.

This manual is for customer engineers.

For further information, refer to the Users Manual for handling or operating the equipment.

# CONTENTS

|           |  |           |
|-----------|--|-----------|
| <b>1.</b> | <b>CONFIGURATION .....</b>                                     | <b>6</b>  |
| 1.1.      | Standard Printer Configuration .....                           | 6         |
| 1.2       | Options .....  | 7         |
| <b>2.</b> | <b>THEORY OF OPERATION .....</b>                               | <b>9</b>  |
| 2.1       | Electrical Operation .....                                     | 9         |
| 2.1.1     | Summary .....  | 9         |
| 2.1.2     | Microprocessor and the Peripheral Circuit .....                | 9         |
| 2.1.3     | Initialization .....   | 15        |
| 2.1.4     | Parallel Interface Control .....                               | 16        |
| 2.1.5     | Universal Serial Bus (USB) .....                               | 17        |
| 2.1.6     | Print Control .....  | 19        |
| 2.1.7     | SP/LF Motor Control .....                                      | 22        |
| 2.1.8     | Operation Panel .....  | 25        |
| 2.1.9     | Alarm Circuit .....  | 27        |
| 2.1.10    | Power Supply Circuit .....                                     | 29        |
| 2.2       | Mechanical Operation .....                                     | 30        |
| 2.2.1     | Printhead Mechanism and Operation (See Figure 2-2.) .....      | 30        |
| 2.2.2     | Spacing Operation (See Figure 2-4.) .....                      | 33        |
| 2.2.3     | Head Gap Adjusting (See Figure 2-5.) .....                     | 35        |
| 2.2.4     | Ribbon Drive (See Figure 2-6.) .....                           | 37        |
| 2.2.5     | Paper Feed Operation .....                                     | 39        |
| 2.2.6     | Paper Detection Mechanism (See Figure 2-15.) .....             | 50        |
| 2.2.7     | Automatic Sheet Feed .....                                     | 54        |
| 2.2.8     | Paper Park Function (Continuous paper) .....                   | 56        |
| <b>3.</b> | <b>ASSEMBLY/DISASSEMBLY .....</b>                              | <b>57</b> |
| 3.1       | Precaution for Parts Replacement .....                         | 57        |
| 3.2       | Service Tools .....  | 58        |
| 3.3       | Disassembly/Reassembly Procedure .....                         | 59        |
| 3.3.1     | Printhead .....  | 61        |
| 3.3.2     | Ribbon Protector .....   | 62        |
| 3.3.3     | Pull-up Roller Assy .....                                      | 63        |
| 3.3.4     | Upper Cover Assy, Access Cover Assy and Sheet Guide Assy ..... | 64        |
| 3.3.5     | Gear Case Assy .....   | 65        |
| 3.3.6     | PC Connector .....   | 66        |
| 3.3.7     | Space Motor, Guide Roller Assy .....                           | 67        |
| 3.3.8     | Space Rack .....   | 68        |
| 3.3.9     | Carriage Cable .....   | 69        |
| 3.3.10    | Backup Roller Holder Assy .....                                | 70        |
| 3.3.11    | Platen Assy .....  | 71        |
| 3.3.12    | Driver Board (DVU) .....                                       | 72        |
| 3.3.13    | LF Motor .....   | 73        |
| 3.3.14    | Operation Panel PCB (LEOP) .....                               | 74        |
| 3.3.15    | Control/Power Supply Board (AOU) .....                         | 75        |
| 3.3.16    | Transformer Assy .....   | 76        |
| 3.3.17    | Change Lever and Gears .....                                   | 77        |
| 3.3.18    | Carriage Shaft .....   | 78        |
| 3.3.19    | Paper Pan .....  | 79        |
| 3.3.20    | Rear Tractor Assy .....  | 80        |
| 3.3.21    | Rear Pressure Assy .....                                       | 81        |
| 3.3.22    | Switch Lever .....   | 82        |

|           |  |            |
|-----------|--|------------|
| <b>4.</b> | <b>ADJUSTMENT .....</b>                                      | <b>83</b>  |
| <b>5.</b> | <b>CLEANING AND LUBRICATION .....</b>                        | <b>91</b>  |
| 5.1       | Cleaning .....   | 91         |
| 5.2       | Lubrication .....  | 93         |
| <b>6.</b> | <b>TROUBLESHOOTING AND REPAIR .....</b>                      | <b>101</b> |
| 6.1       | Items to Check Before Repair .....                           | 101        |
| 6.2       | Troubleshooting Table .....                                  | 101        |
| 6.3       | Lamp Display .....   | 102        |
| 6.4       | Connection Circuit Check for Printhead and SP/LF Motor ..... | 106        |
| 6.5       | Troubleshooting flow chart .....                             | 109        |
|           | <b>APPENDIX A PCB LAYOUT .....</b>                           | <b>122</b> |
|           | <b>APPENDIX B SPARE PARTS LIST .....</b>                     | <b>123</b> |
|           | <b>APPENDIX C RS-232C SERIAL INTERFACE BOARD .....</b>       | <b>134</b> |

# 1. CONFIGURATION

## 1.1. Standard Printer Configuration

This printer consists of the following assemblies:

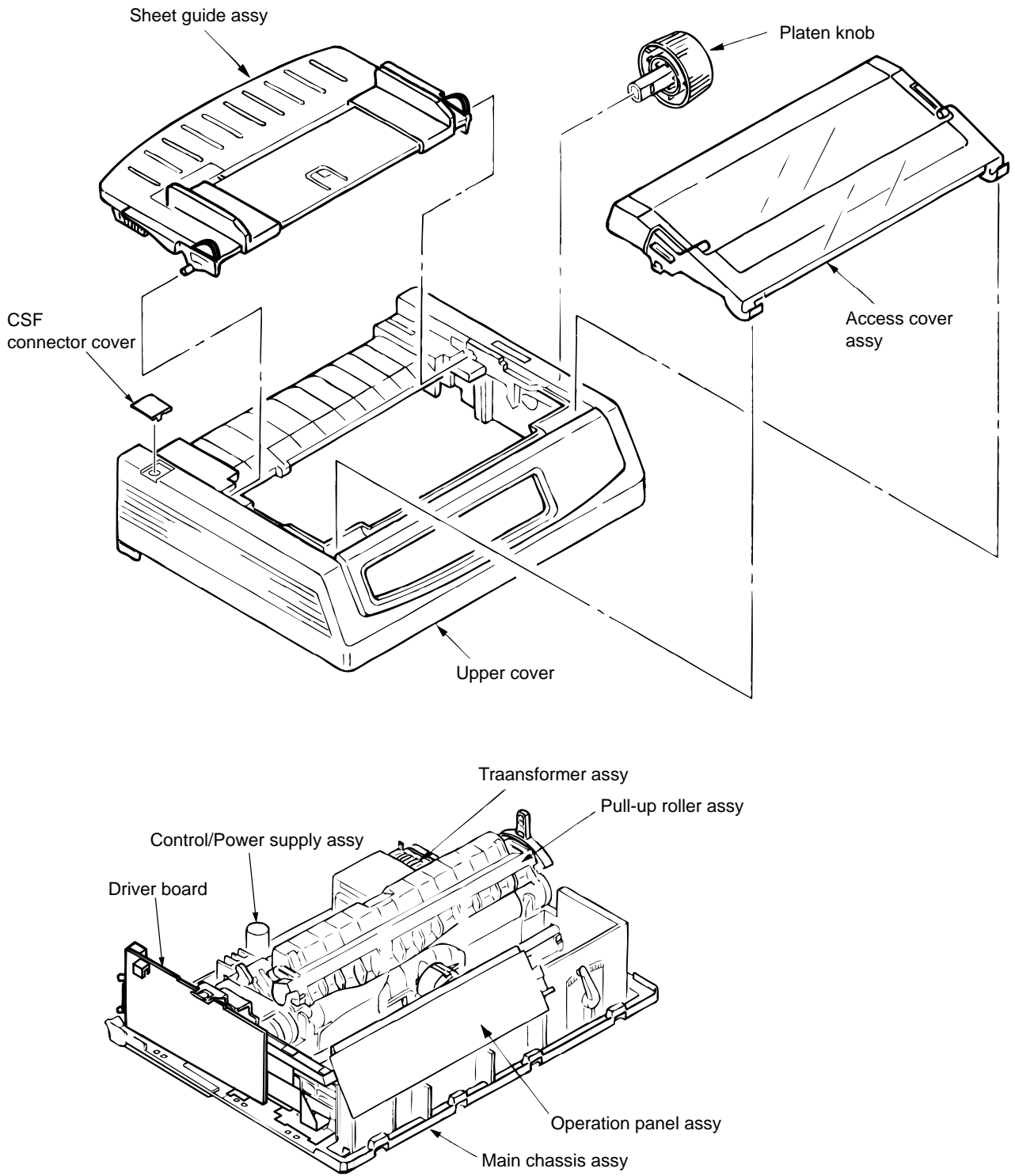
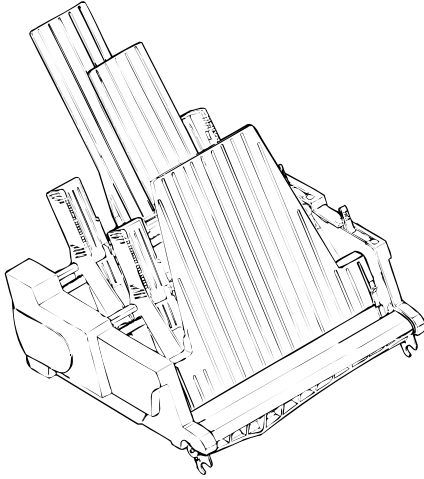


Figure 1-1 Configuration

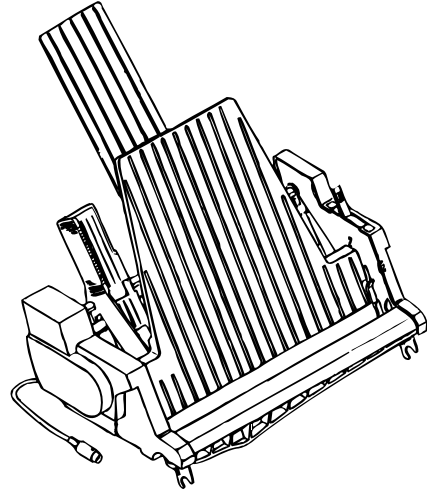
## 1.2 Options

- (1) Cut sheet feeder unit (CSF)  
(Narrow and wide versions available)

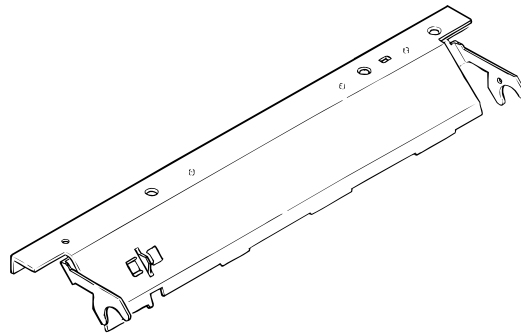
Dual-bin CSF



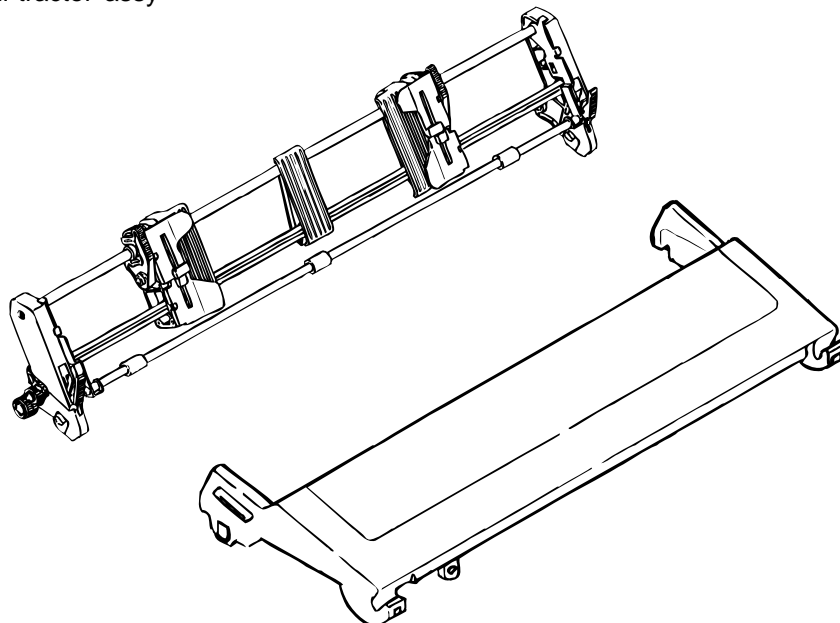
Single-bin CSF



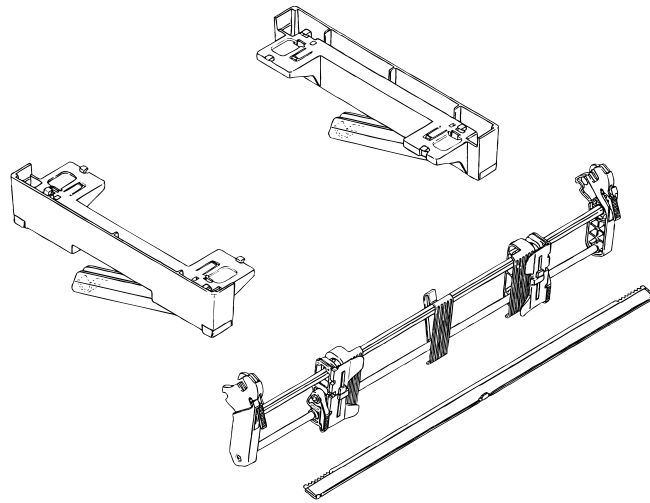
Attachment assy



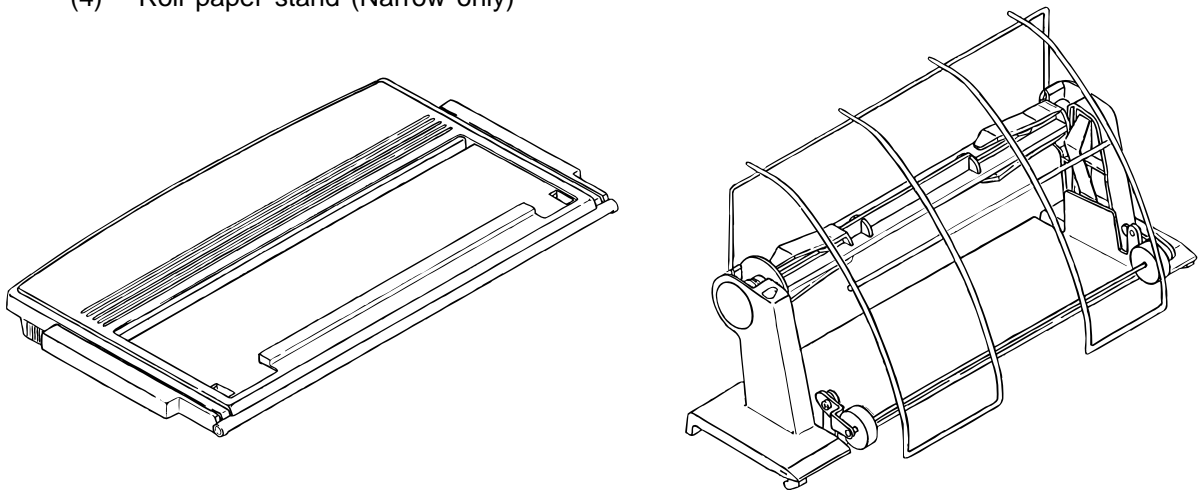
- (2) Pull-tractor assy



(3) Bottom push tractor unit

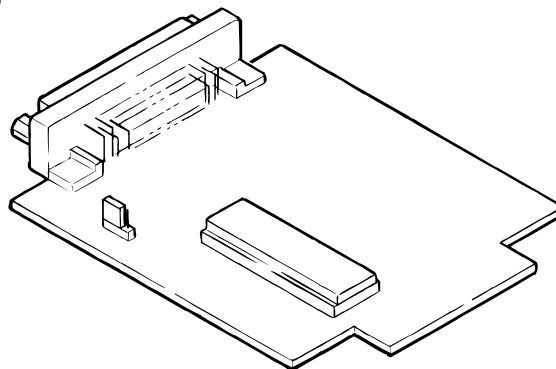


(4) Roll paper stand (Narrow only)



(5) Serial I/F

- RS232C
- RS422A
- Current Loop





## 2. THEORY OF OPERATION

### 2.1 Electrical Operation

The electrical operation of the printer circuit is described in this section.

#### 2.1.1 Summary

Fig. 2-1 shows the block diagram of the printer.

The control board is made up of the microprocessors, peripheral circuits, drive circuits, sensors and interface connectors.

The power to the control board is supplied by the power board through the connector cord.

The power to other electrical parts is also distributed through the connectors within the control board.

#### 2.1.2 Microprocessor and the Peripheral Circuit

##### (1) Microprocessor (Q7: 67X640)

This processor is a CMOS single-chip computer with integrated peripheral device functions and a 16 bit MPU core, all OKI original architecture.

The processor has a 20 bit address bus and a 16 bit data bus.

It is capable of accessing up to 4M bit program memory and 128K bytes of data memory.

The following characteristics are also provided:

- Built-in type data memory of 512 bytes
- 8-bit 4-channel A/D converter × 1
- 16-bit automatic reload timer × 2
- 8-bit serial port × 2
- 8-bit parallel port × 3 (bitwise I/O specification available)

And others.

The function of this microprocessor is to provide a central mechanism for the entire printer by executing the control program through the LSI and driver circuits.

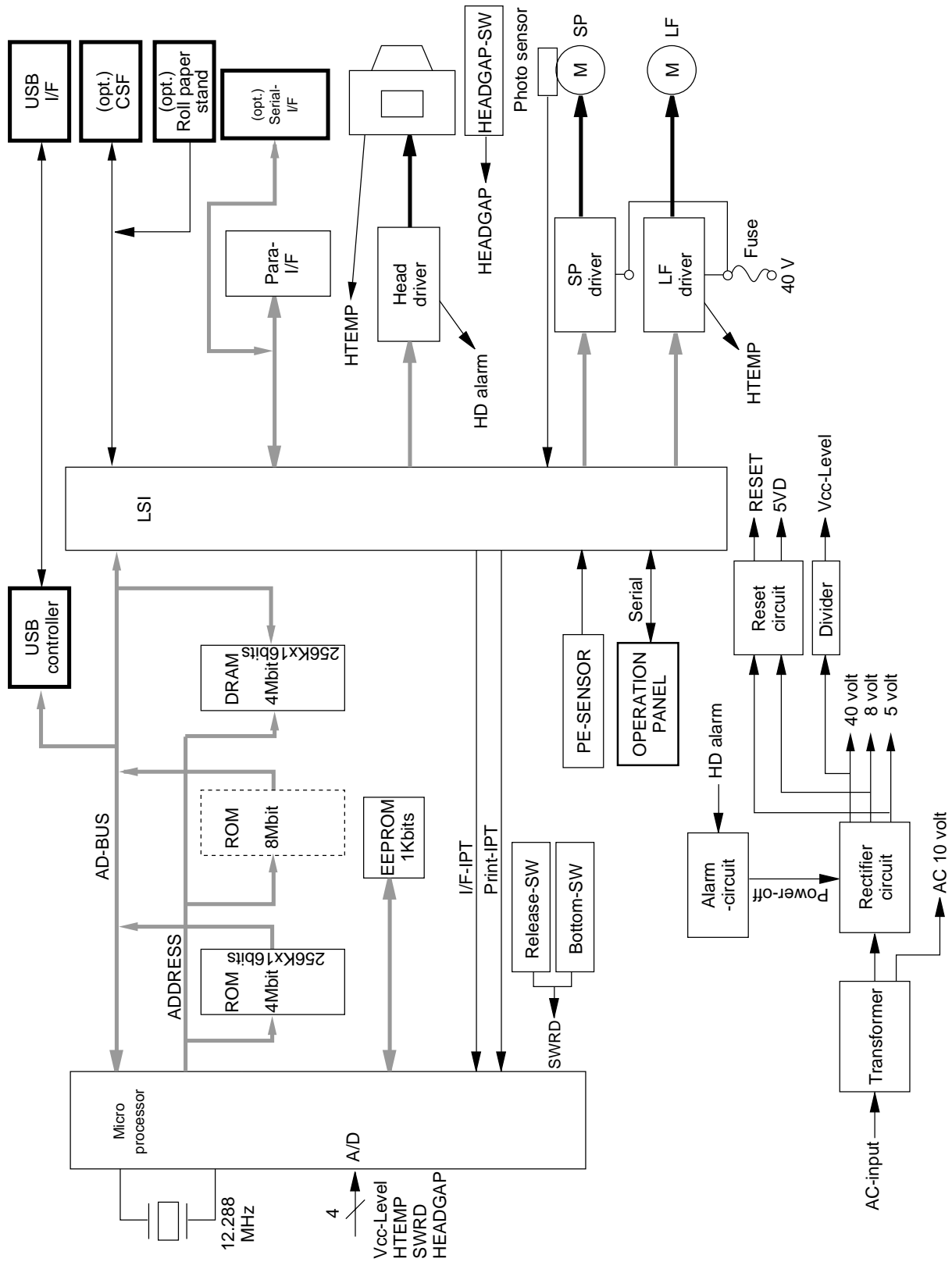


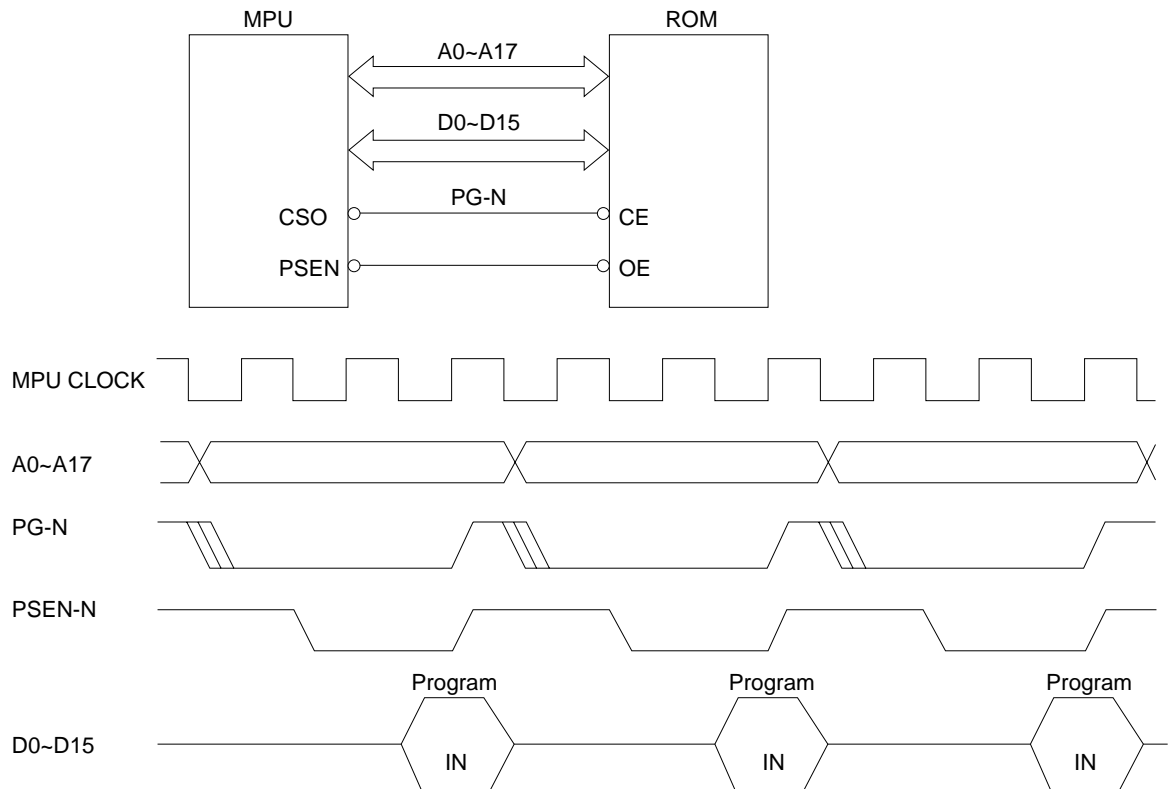
Figure 2-1

(2) Program ROM

This is a 256K × 16 bits (4M bit) [MAX] MASK ROM with the control program for the printer stored. The MPU executes instructions under this program.

The program ROM is assigned to the program memory area of the MPU and is fetched by the PSEN signal of the MPU.

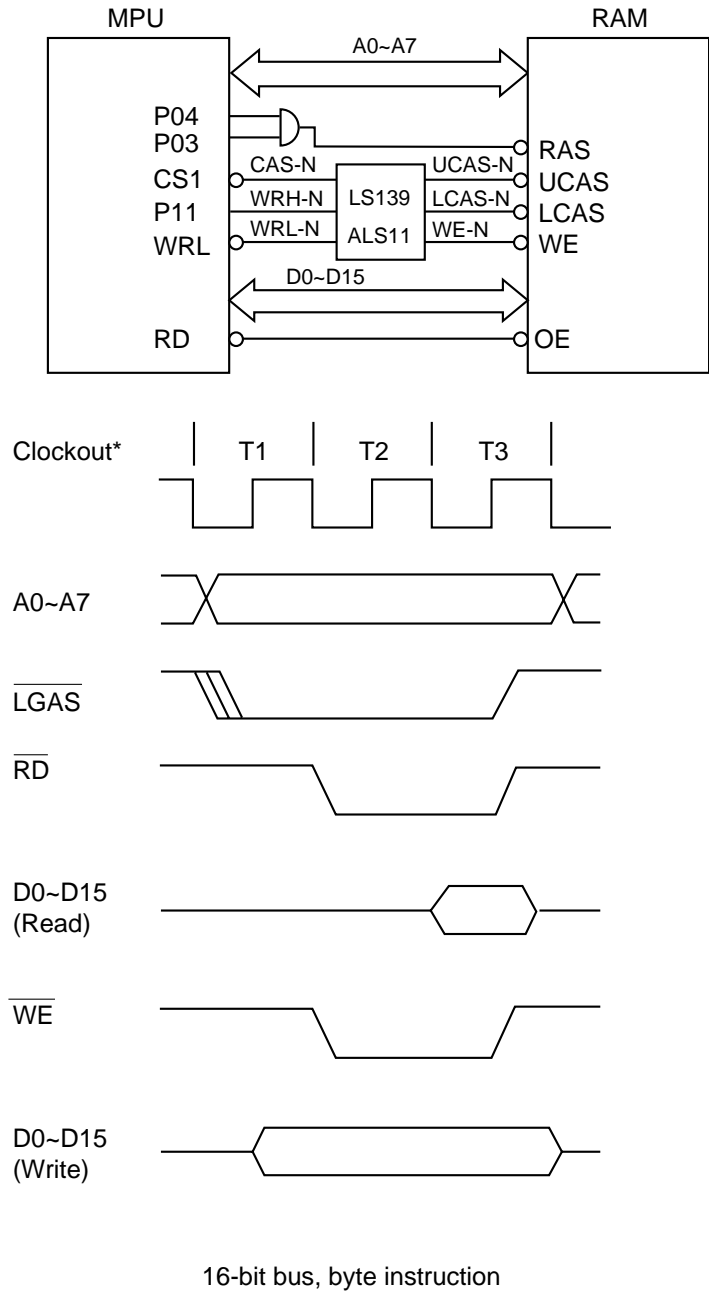
The following shows the operation of the memory access.



(3) RAM

The RAM is CMOS dynamic RAM with 256K × 16bits (4Mbit), and used as buffers (such as receiving buffer, printing buffer, DLL buffer and working buffer).

The following shows the examples of the memory access operation.



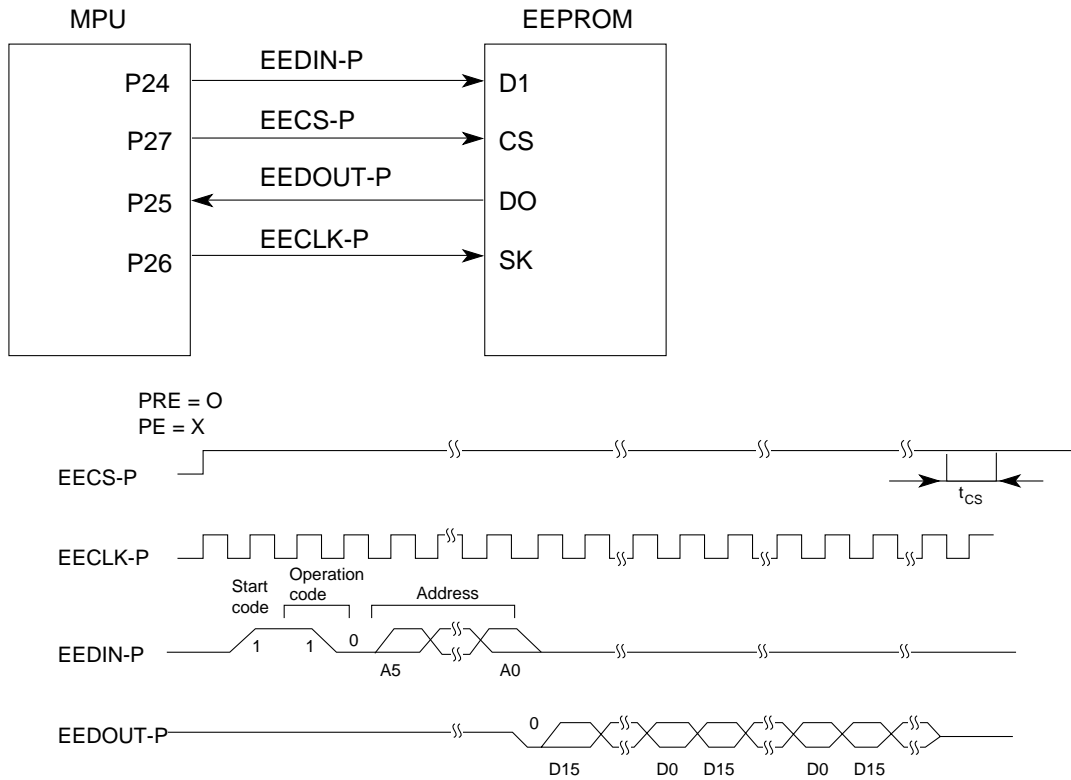
\* Clockout is provided when the original excitation is selected.

(4) EEPROM

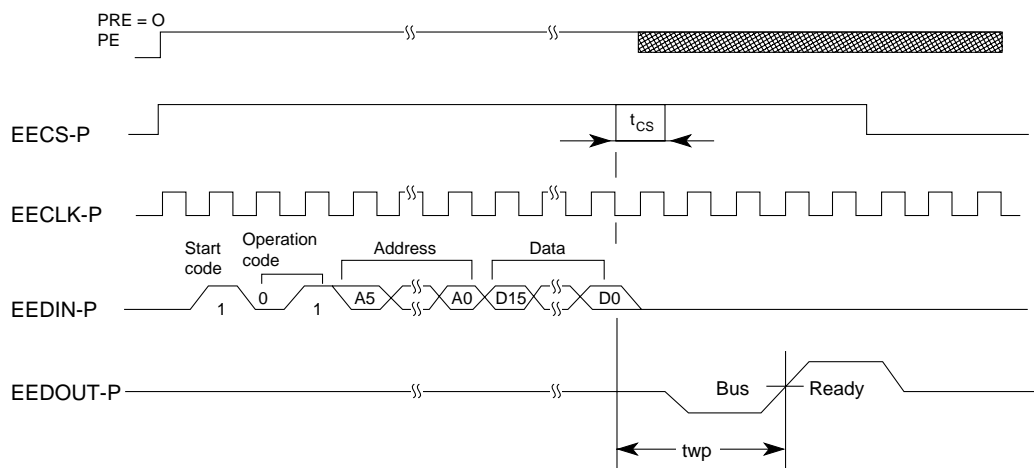
The EEPROM is a CMOS serial I/O type memory which is capable of electrically erasing and writing 1,024 bits.

The EEPROM contains menu data.

The following shows the memory access operation.



Read cycle timing (READ)

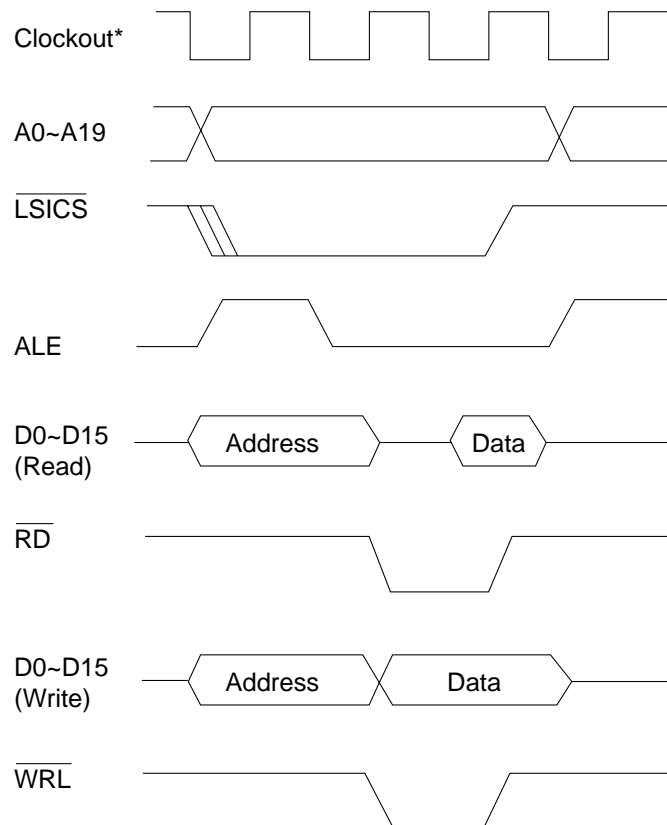
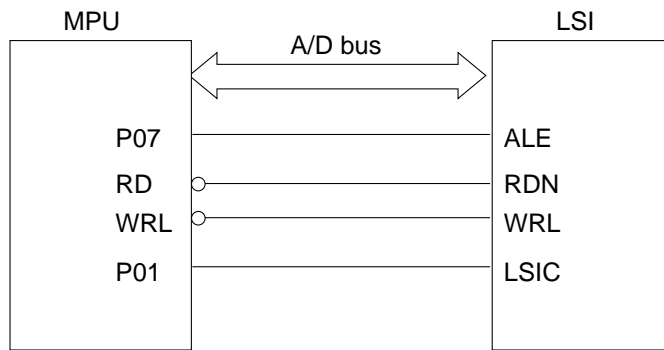


Write cycle timing (WRITE)

(5) LSI

This LSI detects and controls the SP motor speeds by monitoring the two phase sensor signals obtained from the DC motors and modifying the excitation phases as appropriate.

This LSI is connected in multiplex to the MPU.



\* Clockout is provided when the original excitation is selected.

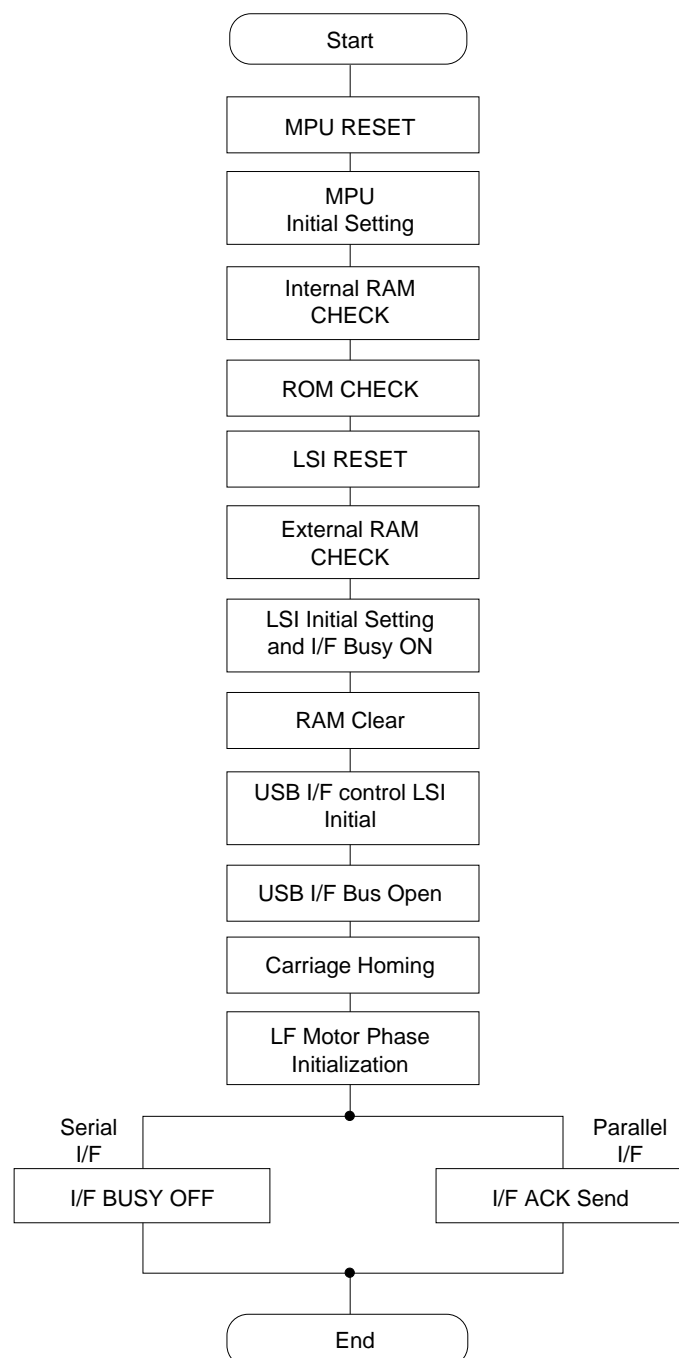
### 2.1.3 Initialization

This printer is initialized when the power is turned on or when the I-PRIME-N signal is input from the host side via the parallel interface.

For the initializing operation, the RST-N signal is first output from the reset circuit to reset the MPUs and LSIs. When resetting ends, the program starts and the LSIs are reset by MPU via LSIRST-N. Reset operation by I-PRIME starts program to initialize, but does not reset the MPU.

The program here sets the mode of the LSI including the MPU, checks the memories (ROMs and RAMs) and, after USB I/F control LSI initialization and USB I/F bus opening, performs carriage homing operation and LF motor phase setting., then carries out carriage homing, and determines the LF motor phase.

Finally, the program establishes the interface signals (P-I/F: ACK-P signal sending, and S-I/F: BUSY-N signal off) and lights the SELECT lamp to inform the ready state for receiving to the host side and ends the initialize operation.

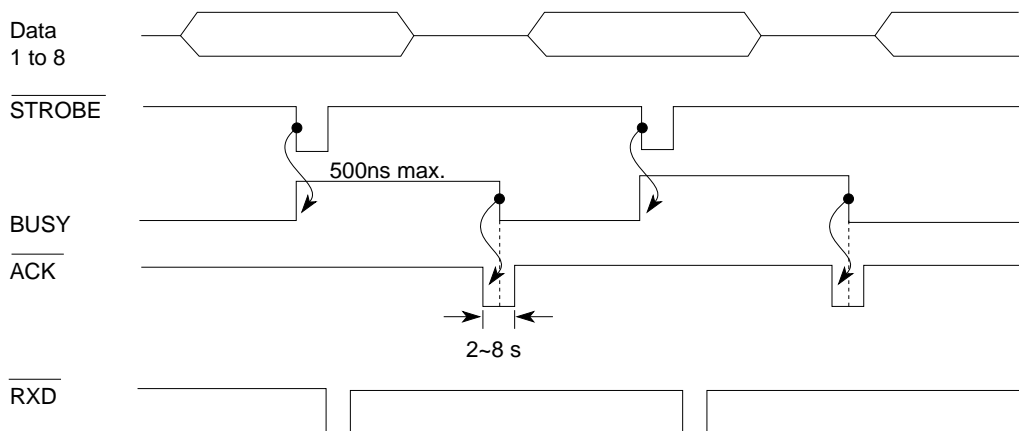
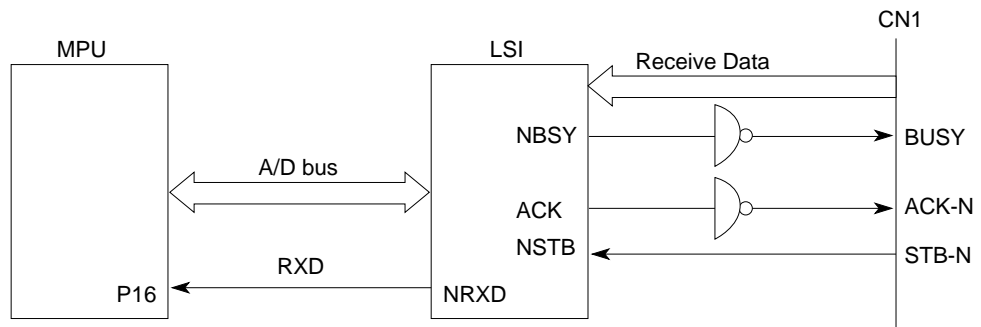


### 2.1.4 Parallel Interface Control

The parallel data input from the host to the interfaced LSI is latched to its internal register at the falling edge of the STROBE-N signal.

At the same time, the LSI sets the BUSY signal to the high level to inform the host that the data is being processed, and outputs the RXD signal to inform the MPU of data reception. The data is read upon receiving the RD-N signal from the MPU.

When the data processing ends, the BUSY signal is set to off and the ACK-N signal is sent to request the next data. When reception is impossible because the buffer is full, the BUSY signal is sent to request stopping of data transmission.





## 2.1.5 Universal Serial Bus (USB)

Universal Serial Bus Specification Revision 1.0 compliance.

### 1) Connector

- Printer Side : "B" Receptacle (Upstream Input to the USB Device)
- Cable Side : Series "B" Plug

### 2) Cable

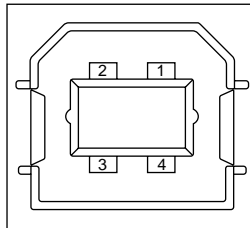
- Cable Length : Approx 1.8m (A cable must be met USB Spec Rev 1.1 for normal operation)

**Note:** Cable is not supplied.

### 3) Table of USB I / F signals

| Contact Number | Signal Name | Typical Wiring Assignment |
|----------------|-------------|---------------------------|
| 1              | Vbus        | Red                       |
| 2              | D -         | White                     |
| 3              | D +         | Green                     |
| 4              | GND         | Black                     |
| Shell          | Shield      | Drain Wire                |

### 4) Connector pin arrangement



### 5) Mode & Class of Device

- Full - speed Driver
- Self - powered Device

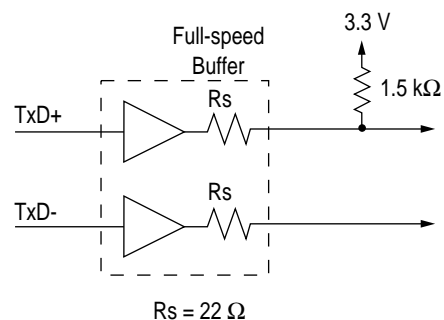
### 6) Data Signaling Rate

- Full - speed function - 12Mb/s  $\pm$  0.25%(2500ppm)

### 7) Receive Buffer

- 2044K Bytes

### 8) Interface circuit



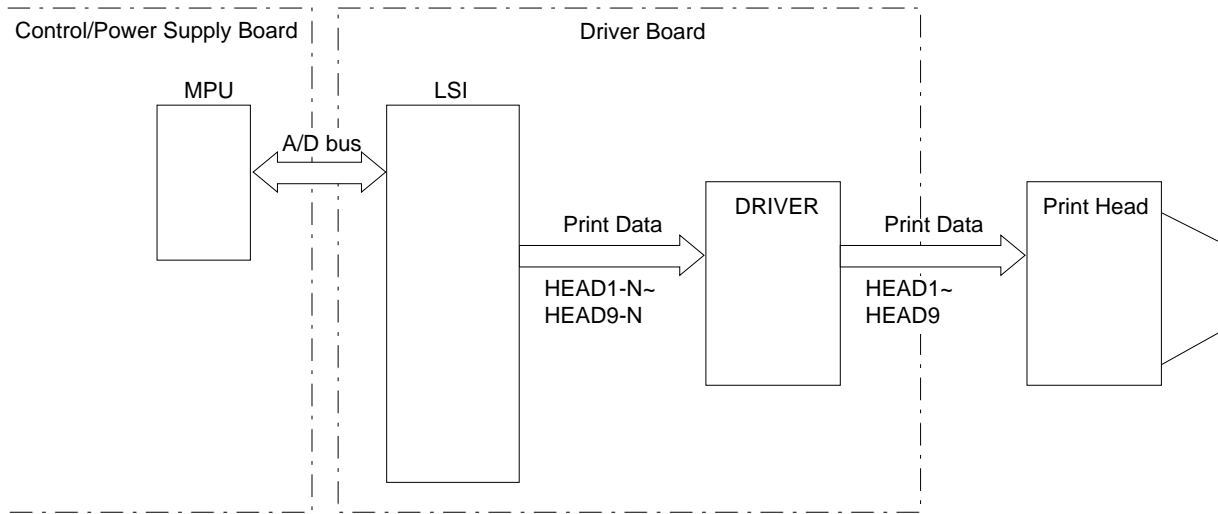
9) Signal Level

- Input / Output Level

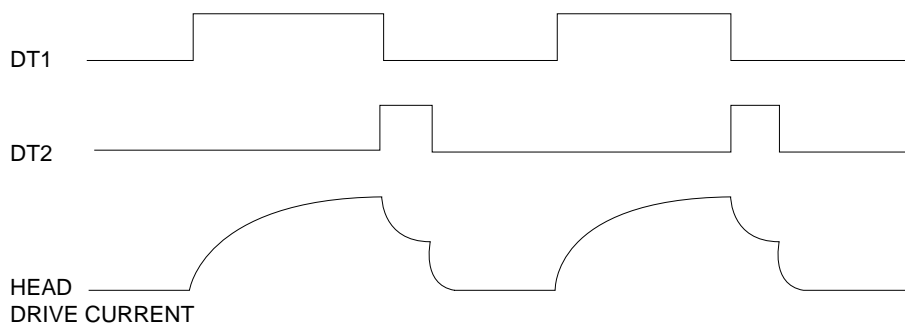
| Parameter                       | Symbol           | Min. | Max. | Units |
|---------------------------------|------------------|------|------|-------|
| Input Levels :                  |                  |      |      |       |
| High (driven)                   | V <sub>IH</sub>  | 2.0  |      | V     |
| High (floating)                 | V <sub>IHZ</sub> | 2.7  | 3.6  | V     |
| Low                             | V <sub>IL</sub>  |      | 0.8  | V     |
| Output Levels :                 |                  |      |      |       |
| Low                             | OL               | 0.0  | 0.3  | V     |
| High (driven)                   | OH               | 2.8  | 3.6  | V     |
| Output Signal Crossover Voltage | V <sub>CRS</sub> | 1.3  | 2.0  | V     |

### 2.1.6 Print Control

Print data is transmitted as parallel data (HEAD1~HEAD9) from LSI to print head. LSI generates print timing and drive time.



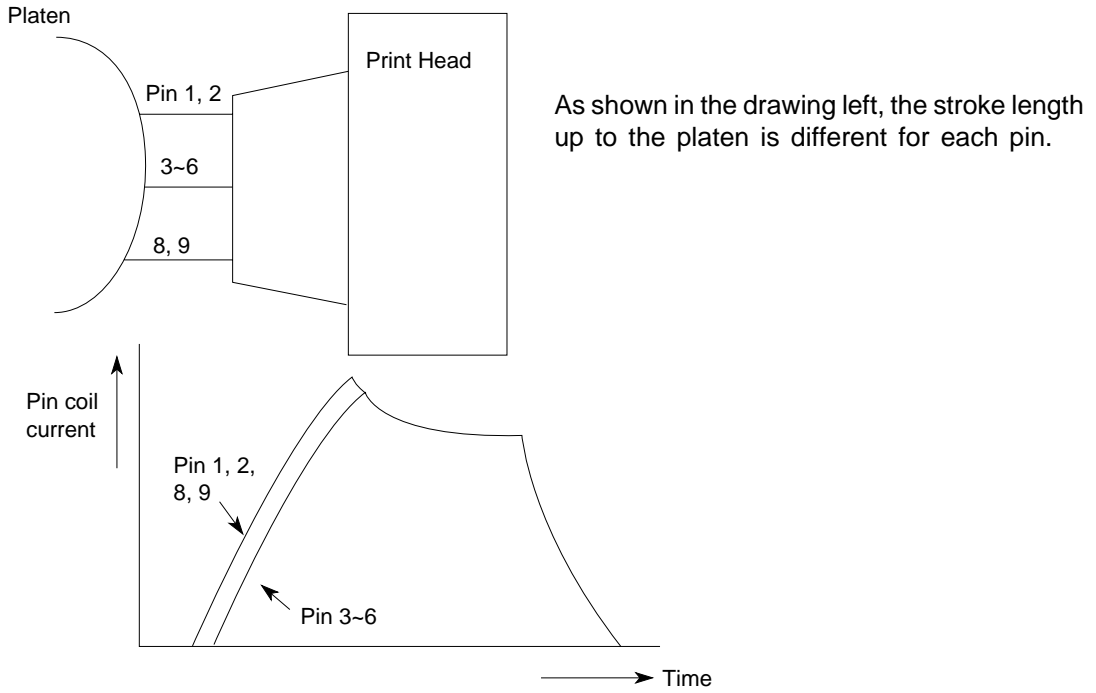
#### HEAD DRIVE TIMING CHART



Print Compensation Control

The print compensation can be made as shown below:

- (a) Voltage compensation (See 2.1.8 "Alarm Circuit.")
- (b) Temperature compensation (See 2.1.8 "Alarm Circuit.")
- (c) Pin stroke compensation



- (d) Simultaneous Compensation of the number of impact pins

The MPU is provided with the compensation table for each pin to make necessary compensation.

|                       |                   |
|-----------------------|-------------------|
| Number of impact pins | Few ←————→ Many   |
| Drive time            | Short ←————→ Long |

(e) Print mode compensation

According to the thickness of the printing medium, the print mode is compensated as shown in the table below:

| Head Gap Range | 1              | 2   | 3   | 4   | 5   |
|----------------|----------------|-----|-----|-----|-----|
| Print speed    | 100%           | 95% | 85% | 85% | 80% |
| Drive time     | Short ← → Long |     |     |     |     |

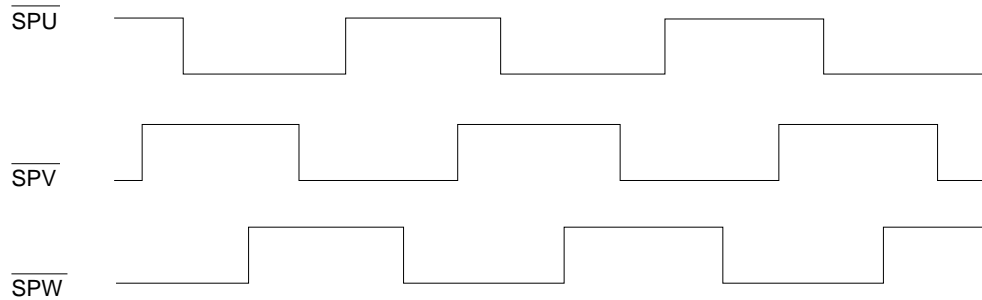
→ (Drive time lengthens at each step.)

## 2.1.7 SP/LF Motor Control

### (1) Space motor control

The SP motor driver (HA13412) drives the three-phase brushless motor based on the phase signal (SPU, SPV and SPW) and the speed instruction data from the LSI. The MPU can identify the current speed of the space motor by measuring through the LSI the pulse length of the output ( $\phi A$ ,  $\phi B$ ) of the slit encoder included in the space motor.

By comparing the target speed for each print mode with the actual current speed to change the speed instruction data, the motor speed is accelerated or decelerated to maintain the specified speed for each print mode.



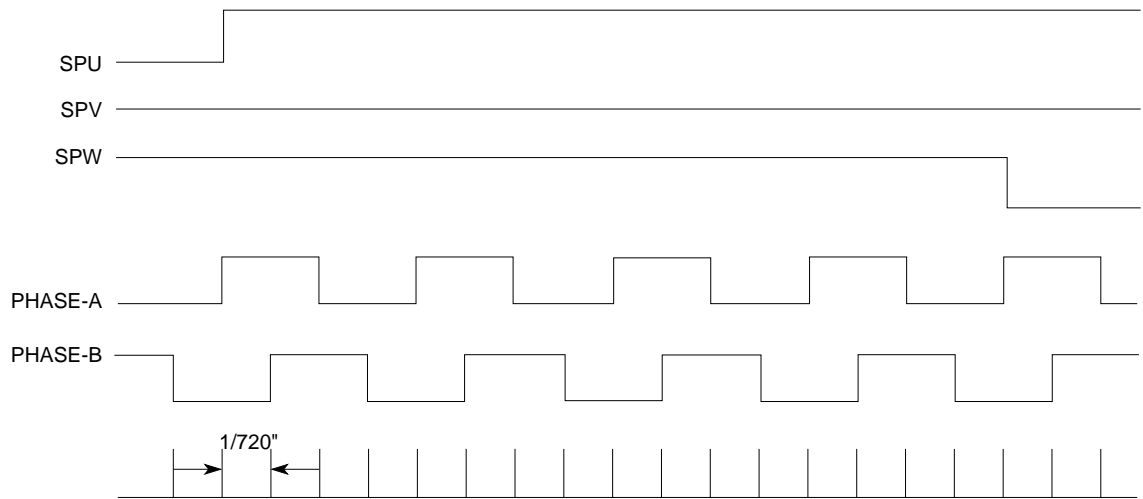
SP truth table

| HALL AMP INPUT          |                         |                         | OUTPUT |      |      |
|-------------------------|-------------------------|-------------------------|--------|------|------|
| $\overline{\text{SPU}}$ | $\overline{\text{SPV}}$ | $\overline{\text{SPW}}$ | U      | V    | W    |
| H                       | H                       | L                       | OPEN   | L    | H    |
| H                       | L                       | L                       | L      | OPEN | H    |
| H                       | L                       | H                       | L      | H    | OPEN |
| L                       | L                       | H                       | OPEN   | H    | L    |
| L                       | H                       | H                       | H      | OPEN | L    |
| L                       | H                       | L                       | H      | L    | OPEN |

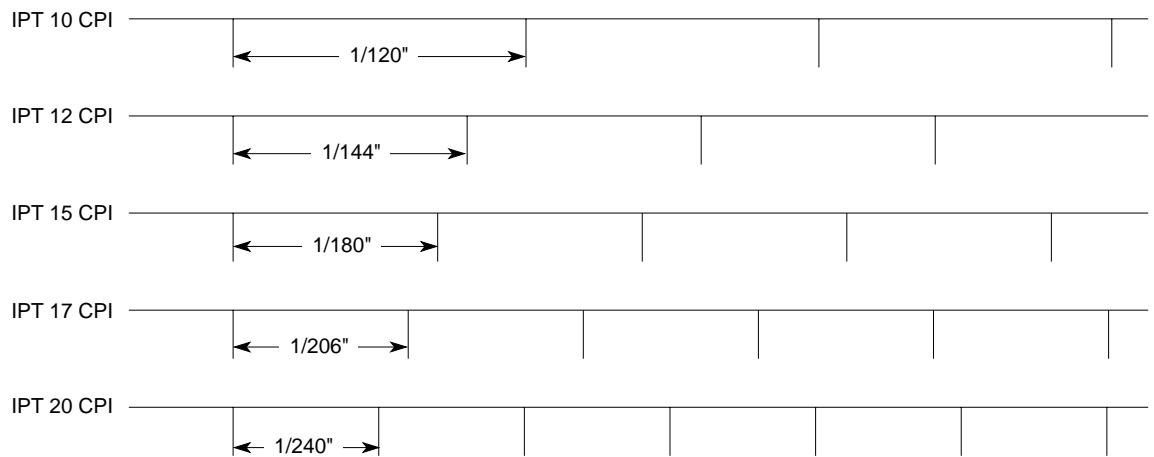
(2) Encoder disk

In the operation of the spacing motor, the PHASE-A and PHASE-B signals are generated when the encoder disk interrupts the photo sensor.

The LSI divides these edge pulse signals in accordance with the print pitch, and sends the IPT signal to provide dot-on timing and carriage position detection timing.



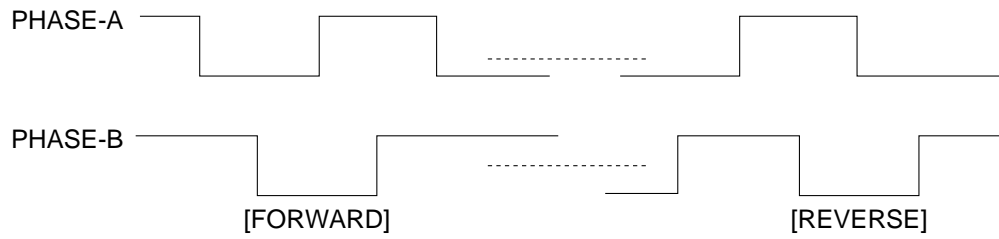
• UTILITY MODE



(3) LF motor control

The LF motor driver (MTD2005F) drives the LF motor in two-phase or 1-2 phase bipolar, based on the phase changeover data and the output current data from the LSI.

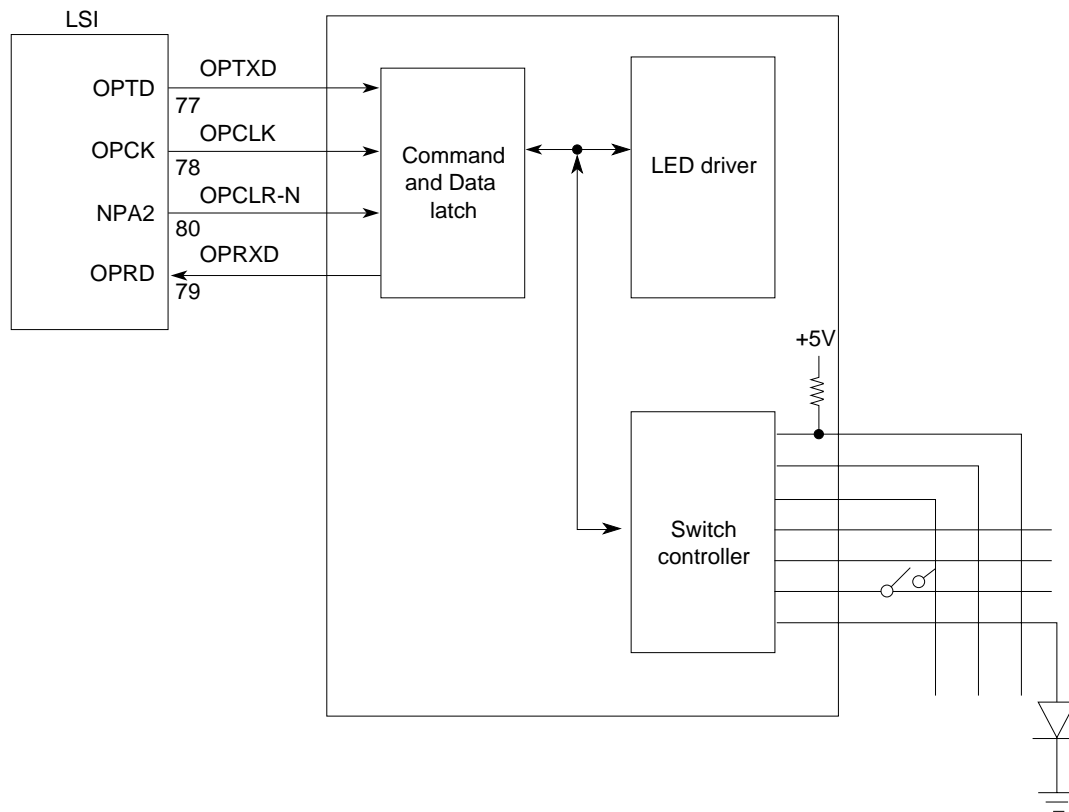
The data from the LSI is processed by a specific register contained in the LF motor driver to measure the overdrive time and to change the phase.





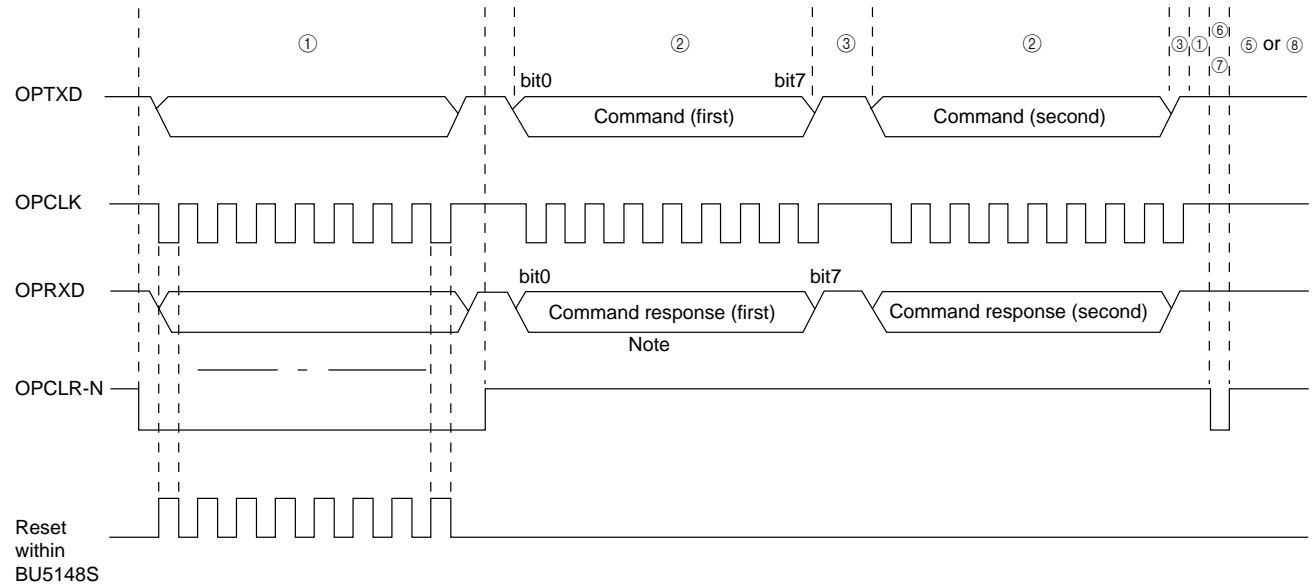
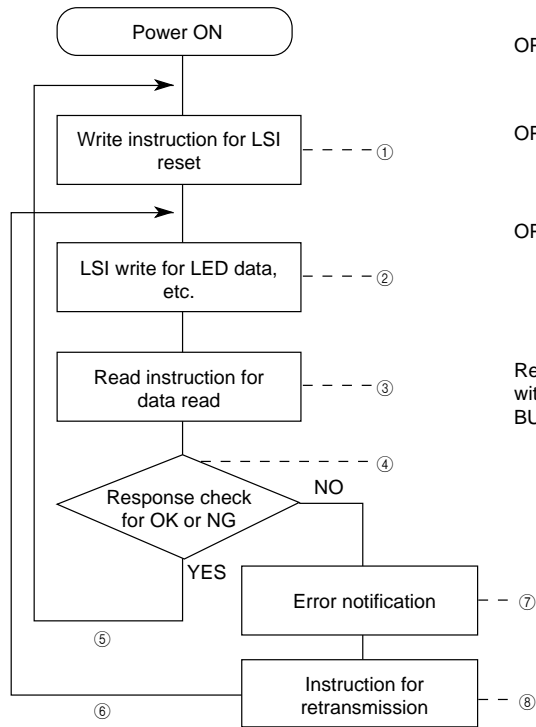
### 2.1.8 Operation Panel

The clock synchronization OPCLK of LSI is used to input the switch data and output the LED data through the operation panel control LSI (IC1: BU5148S).



A 2-byte (15 bits + 1 even parity bit) command (OPTXD) is transmitted to the LSI (BU5148S) in synchronization with the OPCLK signal. The LSI decodes this command and when it is found to be legal, returns a 2-byte command response back to the LSI which includes data on Switch information, LED status, receive command ACK/NAK and 1 odd parity bit.

Any transmission errors found cause the command to be reissued after the transmission of the OPCLR-N signal.



**Note:** From the illustration above, you can see that the command and the command response are output at the same time. This is because the bit 0 to bit 3 of OPRXD are fixed so that the response can be returned before decoding the command.

## 2.1.9 Alarm Circuit

### (1) Head drive time alarm circuit

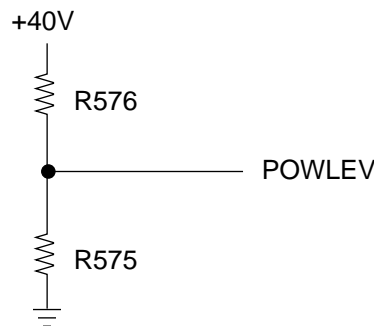
This circuit monitors the drive time using the HDALM signal interlocked with the overdrive signal of each drive circuit.

If the drive time of any drive circuit exceeds the specified time, the drive fault alarm circuit sends an ALARM-N signal to turn on the SCR (SO).

This cause the secondary coil (40V) of the transformer to be short-circuited, causing an overcurrent to flow through the primary coil and making the AC fuse (transformer assy) open.

### (2) Alarm processing when DC power is low.

+ 40V is converted into the POWLEV signal (0V to +5V) by R28 and R29 and input into the A/D port of the MPU to control the drive time and the print speed (pass number) of the head.



#### (a) Head drive time

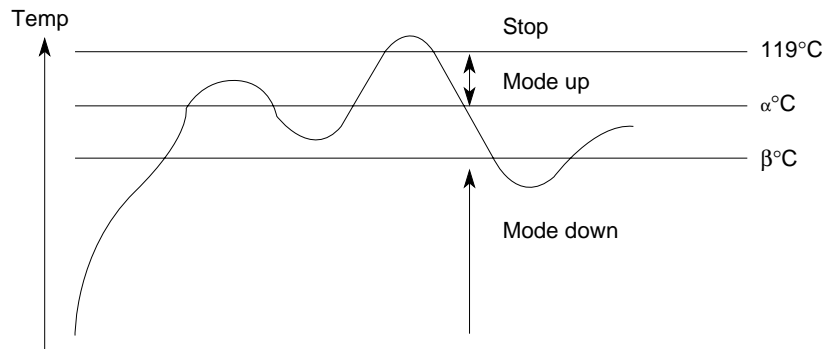
The head drive time is lengthened to compensate for the amount of voltage drop by monitoring the POWLEV signal once every 500  $\mu$  sec. to control and maintain the impact necessary for each printing pin at the fixed value.

#### (b) Print speed

| Voltage, +40V | Pass number | Print speed |
|---------------|-------------|-------------|
| 38V or more   | 1 Pass      | 100%        |
| 25V to 37V    | 1 Pass      | 100~30%     |
| 25V or less   | 1 Pass      | 30%         |

(3) Head overheat alarm

The voltage of the output TSD signal of the thermistors, one of which is contained in the print head and the other in the print head driver, is monitored by the CPU/AD port to control the voltage



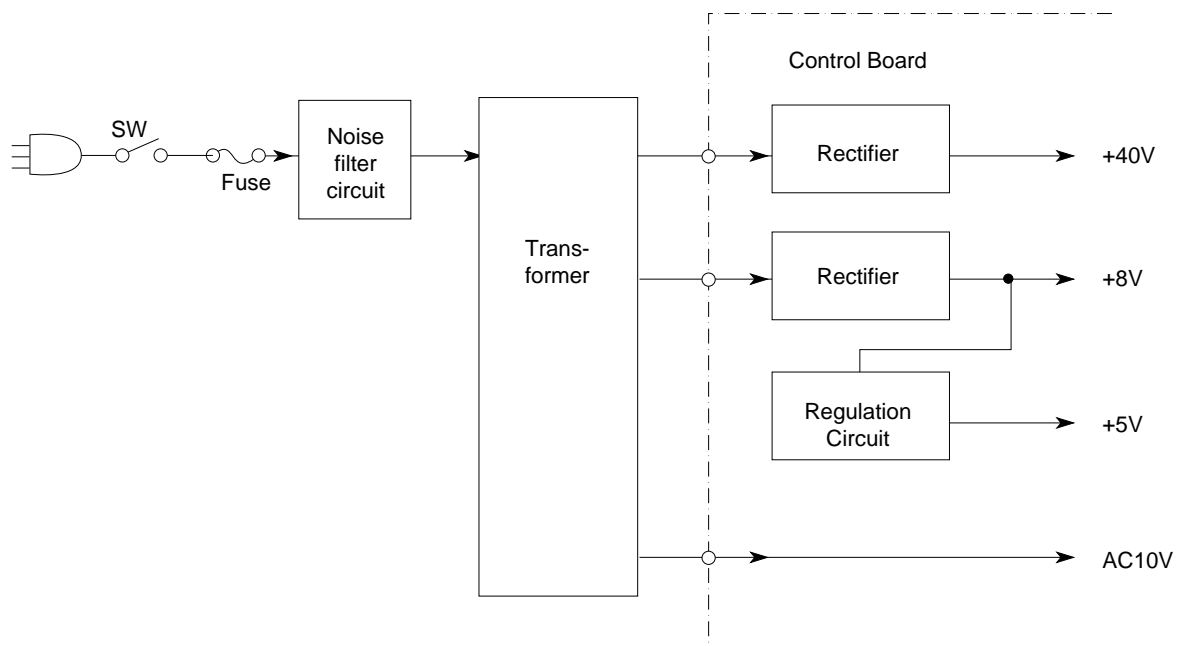
Mode and print control

| Mode | Speed | Pass | Direction |              |
|------|-------|------|-----------|--------------|
| 1    | 100%  | 1    | Bi        |              |
| 2    | 85%   | 1    | Bi        |              |
| 3    | 70%   | 1    | Bi        |              |
| 4    | 55%   | 1    | Bi        |              |
| 5    | 40%   | 1    | Bi        |              |
| 6    | 30%   | 1    | Bi        | 1.5 Sec Stop |
| (7)  | Stop  |      |           |              |

- When the temperature is between  $\alpha^{\circ}\text{C}$  and  $119^{\circ}\text{C}$ , the mode switches sequentially to higher level. When the temperature falls below  $\beta^{\circ}\text{C}$ , the mode switches to lower level.
- When the temperature exceeds  $119^{\circ}\text{C}$ , printing will stop.
- When temperature gradient is steep, higher mode shall be specified directly.

### 2.1.10 Power Supply Circuit

This power supply circuit supplies the +5VDC, +8VDC, +40VDC, 10VAC.



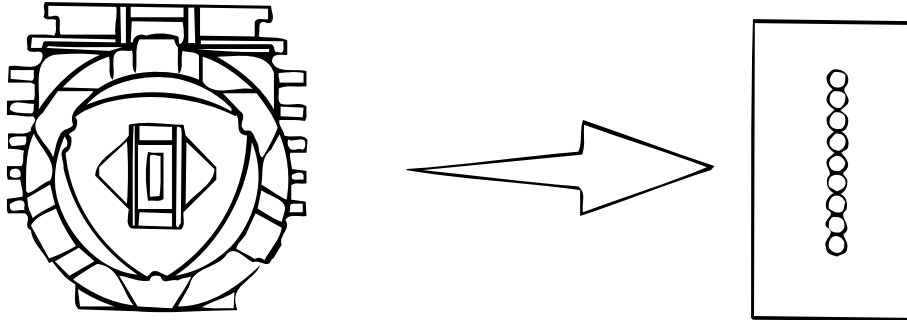
The uses of output voltages and signals are described below.

| Voltage/signal | Use   |
|----------------|---|
| +5V            | Logic IC/LED drive voltage                                |
| +8V            | Serial interface line voltage and SP motor driver         |
| + 40V          | Printhead, LF motor drive voltage, SP motor drive voltage |
| AC 10V         | Option board  |

## 2.2 Mechanical Operation

### 2.2.1 Printhead Mechanism and Operation (See Figure 2-2.)

The printhead is a spring charged 9-pin driving head using a permanent magnet. It is attached to the carriage, which moves in parallel with the platen. Electrically, this unit is connected to the control circuits through the control board.



**Figure 2-2 Arrangement of the head pins  
View from the tip of the printhead**

(1) The printhead configuration:

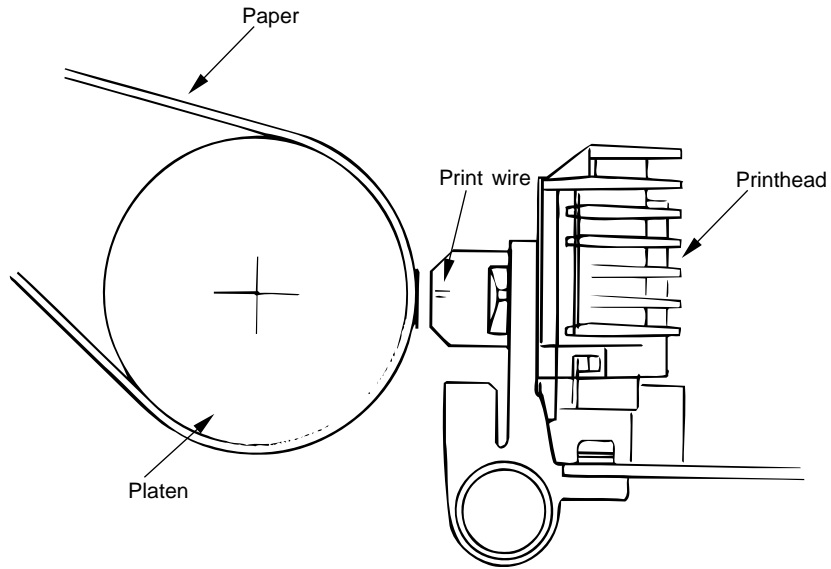
The printhead is composed of the following parts:

- (a) Wire guide
- (b) Spring assembly (Wire, Armature, Spring, Yoke, Spacer)
- (c) Magnet assembly (Magnet, core, coil, Yoke)
- (d) Printed circuit board
- (e) Fin

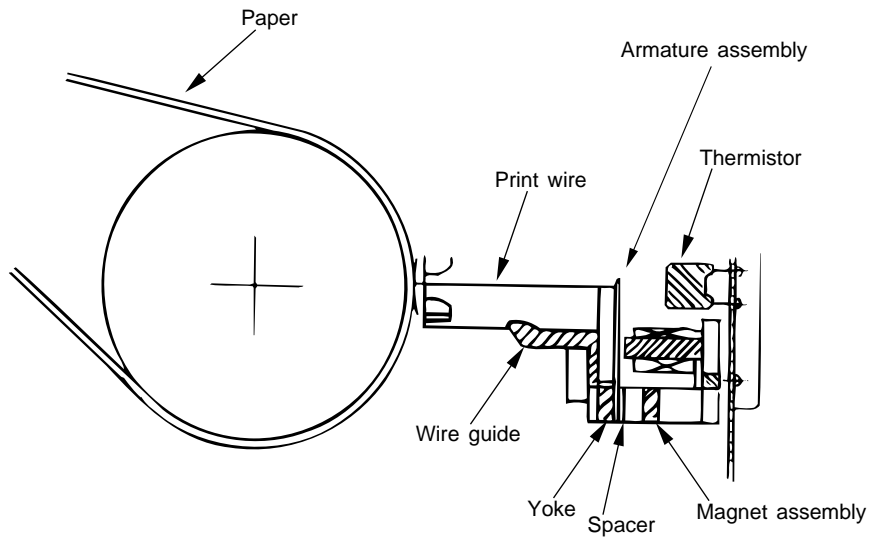
(2) Operation of printhead (See Figure 2-3.)

- (a) When the printhead is idle, the armature is attracted by a permanent magnet and the spring fixing the armature is compressed. The print wires fixed to each armature are thus concealed under the wire guide.
- (b) When a signal for a character to be printed is detected, a current flows through the coil. When the coil is activated, the magnetic flux (caused by the permanent magnet between the armature and the core) is canceled to eliminate the attraction force. The armature is driven in the direction of the platen by the force of the armature spring. The print wire fixed to the armature protrudes from the tip of the wire guide, strikes the paper through the ribbon and prints a dot on the paper.
- (c) After the character has been printed, the armature is magnetically attracted again and the print wires are again concealed under the wire guide.

A thermistor in the printhead prevents burning caused by over-heating of the coil during extended continuous bi-directional printing. When the temperature of the coil exceeds a pre-determined limit (about 119°C) the control circuit detects a thermistor signal. Printing will then be intermittent or stop completely until the coil temperature falls below the limit value.



(1) When printing



(2) When not printing

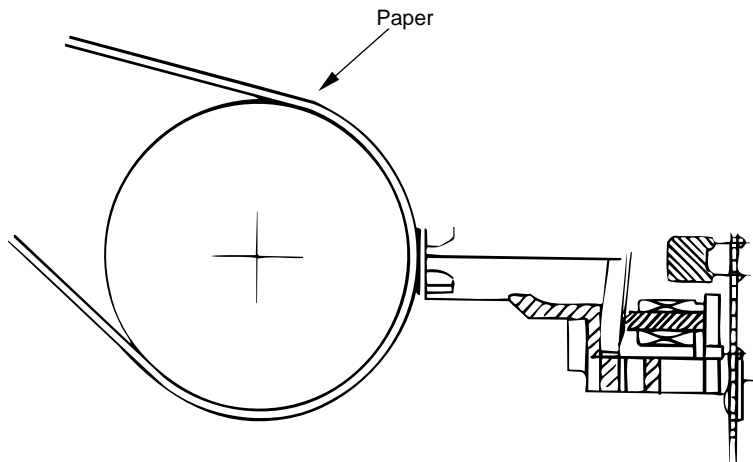


Figure 2-3



### 2.2.2 Spacing Operation (See Figure 2-4.)

The spacing mechanism consists of a carriage shaft mounted in parallel with the platen, and a carriage frame that moves along the shaft. It is driven by a DC motor mounted on the bottom of the carriage frame. Items included in the spacing mechanism are as follows:

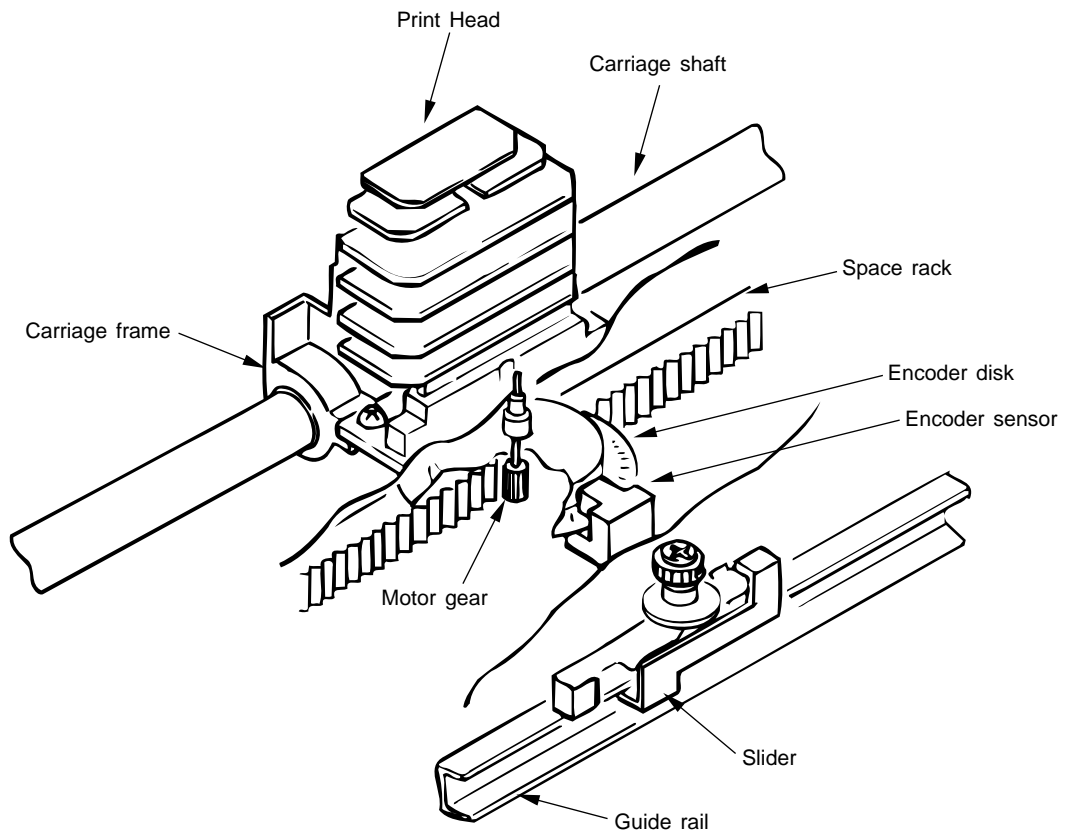
- (a) DC motor with motor gear
  - (b) Carriage frame (stationary yoke and motor driver board included)
  - (c) Carriage shaft
  - (d) Space rack
  - (e) Sensor
  - (f) Encoder disk
- (1) Spacing operation

The carriage frame, on which the printhead and space motor are mounted, moves along the carriage shaft in parallel with the platen. When the spacing motor rotates counterclockwise, the driving force is transmitted to the motor gear. As the motor gear rotates, the carriage moves from left to right.

Mechanically, it is designed in such a way that for every revolution of the DC motor, the carriage frame moves 0.8 inch (20.32 mm).

At the same time the encoder disk rotates together with the motor and passes the sensor. The position of the carriage frame can be determined by counting the interrupts detected by the sensor.

In the same way, the rotation of the space motor can be recognized and controlled by measuring the cycle of interrupts detected by the sensor.



**Figure 2-4**

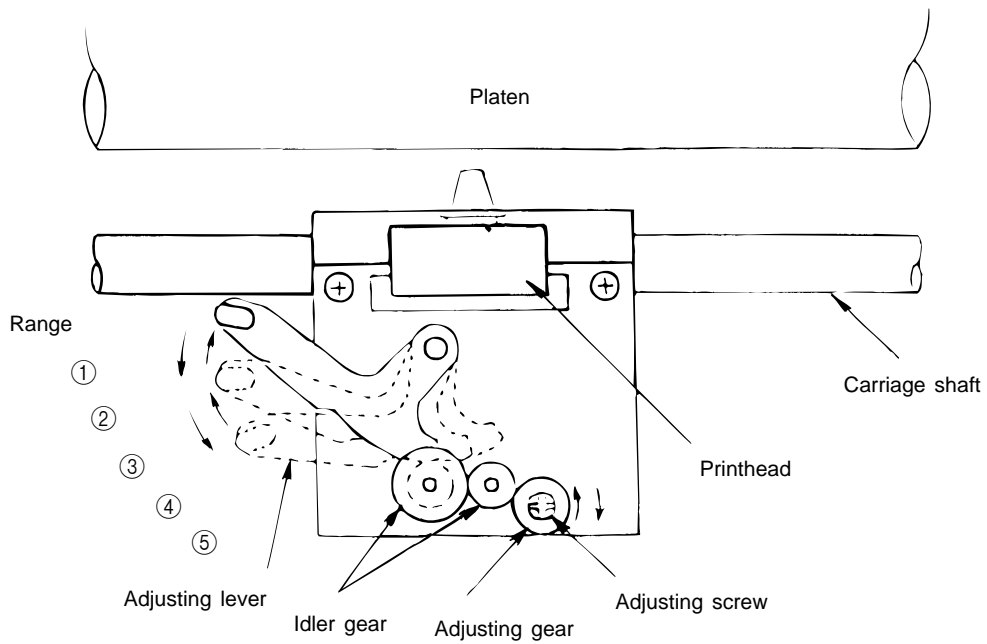
### 2.2.3 Head Gap Adjusting (See Figure 2-5.)

The head gap adjusting lever moves back and forth to tilt the carriage frame, altering the gap between the printhead and the platen.

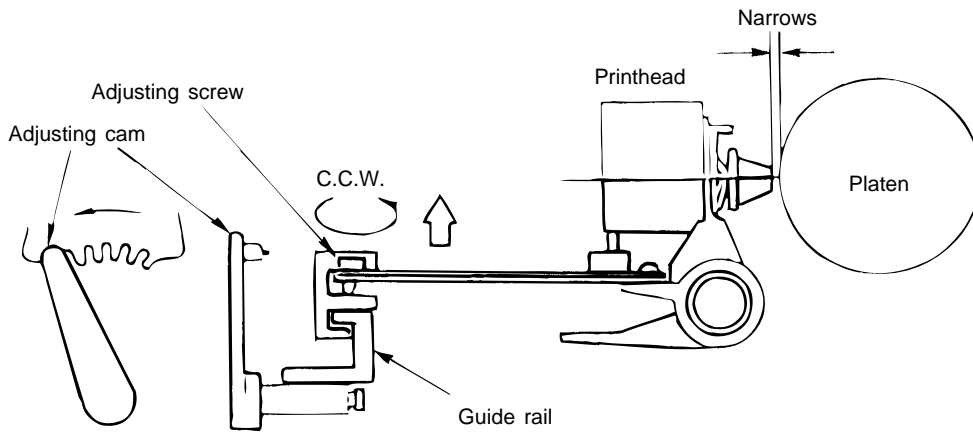
The adjusting screw, which is connected to the adjusting gear rotates when the adjusting lever is moved creating a fine gap adjustment. If the adjusting gear is pushed down, the adjusting screw can be turned with a screw driver to change the coarse gap adjustment.

When the adjusting lever is set to range ② ~ ⑤ the contact which is attached to the under side of the carriage cover will connect with the contact of the space motor PC board. The printer will reduce the printing speed automatically to ensure that adequate printing pressure is maintained for multipart paper.

And, the adjusting cam adjusts the headgap toward left and right side in accordance with the guide rail up and down as a position of the left end of it.



Range from ⑤ to ①



Range from ① to ⑤

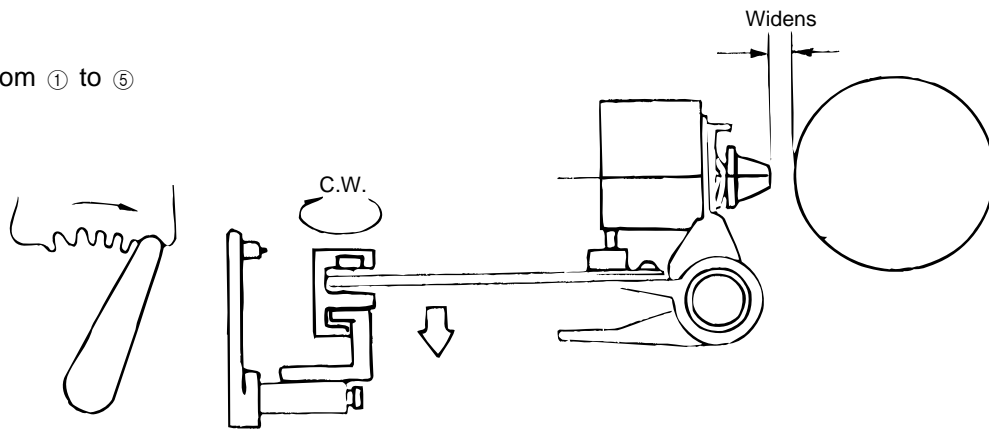


Figure 2-5

#### 2.2.4 Ribbon Drive (See Figure 2-6.)

The ribbon driver mechanism moves the ribbon in synchronization with the space motor operation.

The ribbon drive mechanism consist of the following items:

- (a) Ribbon drive gear assembly
  - (b) Ribbon gear (space motor)
  - (c) Ribbon cartridge
- (1) Ribbon cartridge

An endless ribbon with a single direction feed is used. Ink is supplied from an ink tank, which is built in to the ribbon cartridge.

- (2) Ribbon feed operation

When the space motor is activated, the ribbon gear rotates. The rotation is transmitted via the ribbon drive gear assembly to the drive gear in the ribbon cartridge, thus moving the ribbon.

The feed direction of the ribbon is maintained by switching the rotational direction of the gears in the ribbon drive gear assembly. This ensures ribbon movement when bidirectional printing is used.

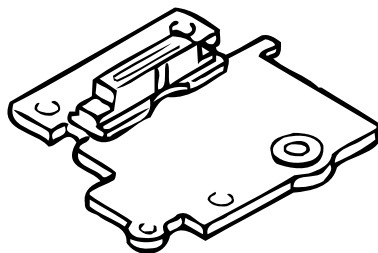
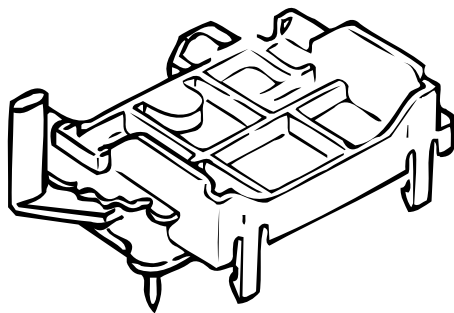
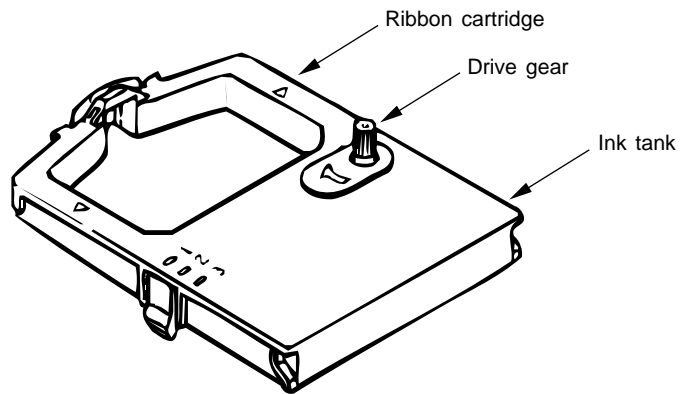


Figure 2-6

### 2.2.5 Paper Feed Operation

Feeding of the paper is performed by turning the platen and the pin tractor, which is driven by the LF pulse motor.

Item of the paper feed mechanism are as follows:

- (a) Pulse motor with gears
- (b) Decelerating gear
- (c) Platen
- (d) Tractor feed unit
- (e) Pressure roller

(1) Cut sheet and continuous sheet switching mechanism (See Figure 2-8.)

Three different paper paths can be selected and set by the change lever.

(a) **TOP** (for cut sheet)

When the cut sheet is used in the manual mode or fed by the CSF (option), set the change lever at the position marked TOP.

[Operation]

The driving force of the platen gear (R) is transmitted to the idle gear by setting the change lever to the TOP position. However, this causes the idle gear to be disengaged from the change gear, leaving it free.

At this time, the pressure rollers (at the rear and the front) are pressed securely to the platen to feed the cut sheet. At the same time, the switch lever positions between the rear switch and bottom switch, to confirm to the control board that you are in the cut sheet mode.

In the cut sheet mode, the control board automatically feeds the sheet up to the print start position after pausing for the wait time stored in the menu.

(b) **REAR** (Continuous sheet from push tractor)

When the change lever is set to REAR position, the change gear is engaged with the idle gear and the tractor gear to transmit the rotation of the platen to the push tractor shaft, and the continuous sheet is fed from the push tractor.

At the same time, the switch lever turns on the rear switch, to confirm to the control board that you are in the continuous sheet mode.



(c) **BOTTOM** (Continuous sheet from bottom feeder) (option)

When the change lever is set in the **BOTTOM** position, the rotation of the platen is transmitted to the drive gear of the bottom tractor feed unit through the idle gear to feed the sheet which has been set in the bottom tractor feed.

At the same time, the switch lever turns on the bottom switch, to confirm to the control board that you are in the continuous sheet mode.

Correlation in Mechanism

| Mechanism<br>Lever<br>Position | Rear<br>Switch | Bottom<br>Switch | Idle<br>Gear | Change<br>Gear | Tractor<br>Gear | Sheet<br>Insertion  |
|--------------------------------|----------------|------------------|--------------|----------------|-----------------|---|
| TOP                            | OFF            | OFF              | Rotate       | Stop           | Stop            | Manual/<br>automatic  |
|                                |                |                  |              |                |                 | CSF:<br>Operation SW<br>or instruction  |
| REAR                           | ON             | OFF              | Rotate       | Rotate         | Rotate          | <ul style="list-style-type: none"> <li>• Operation SW</li> <li>or</li> <li>• instruction</li> </ul> |
| BOTTOM                         | OFF            | ON               | Rotate       | Rotate         | Stop            | <ul style="list-style-type: none"> <li>• Operation SW</li> <li>or</li> <li>• instruction</li> </ul> |

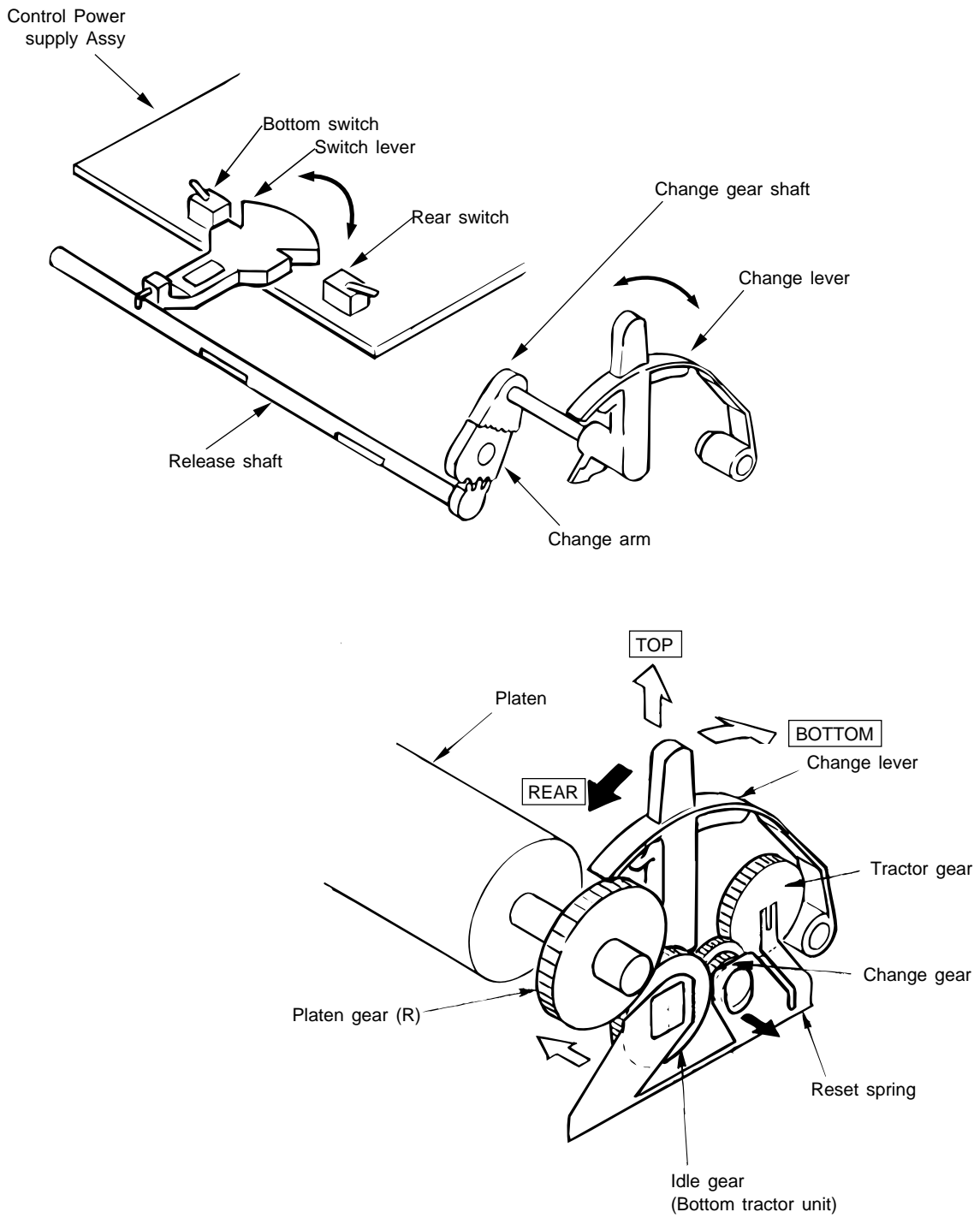
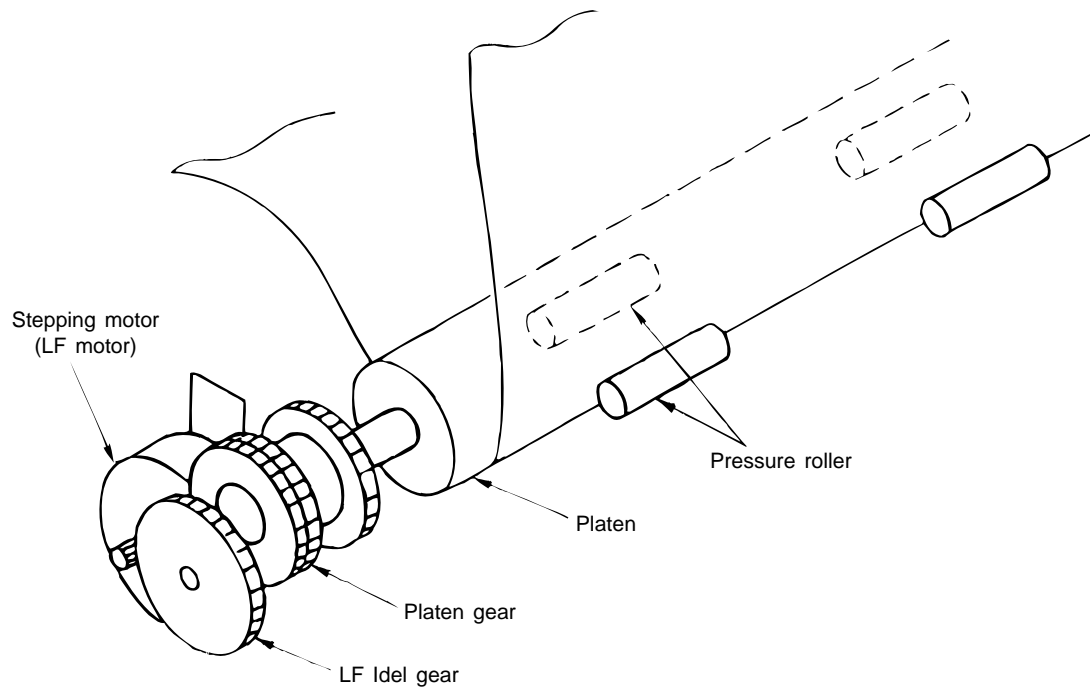


Figure 2-8

(2) Cut-sheet feeder operation (See Figure 2-9.)

The pulse motor used for the paper feed mechanism is mounted on the left of the frame, and the rotation of the motor is transmitted through decelerating gears (LF idle gear, platen gear) to the platen. When using cut-sheet paper, the change lever must be in the **TOP** position to grab the paper, while disengaging the push tractor.

When the change lever is set to the **TOP** position, the cut sheet is automatically fed in up to the print start position after pausing for the wait time stored in the menu.



**Figure 2-9**

(3) Continuous paper feed operation (Rear) (See Figure 2-10.)

The force transmitted to the platen, rotates the tractor gear through platen gear, the idler gear and the change gear. The rotation of the tractor gear makes the pin tractor belt rotate through a sheet feeder shaft, feeding the continuous paper.

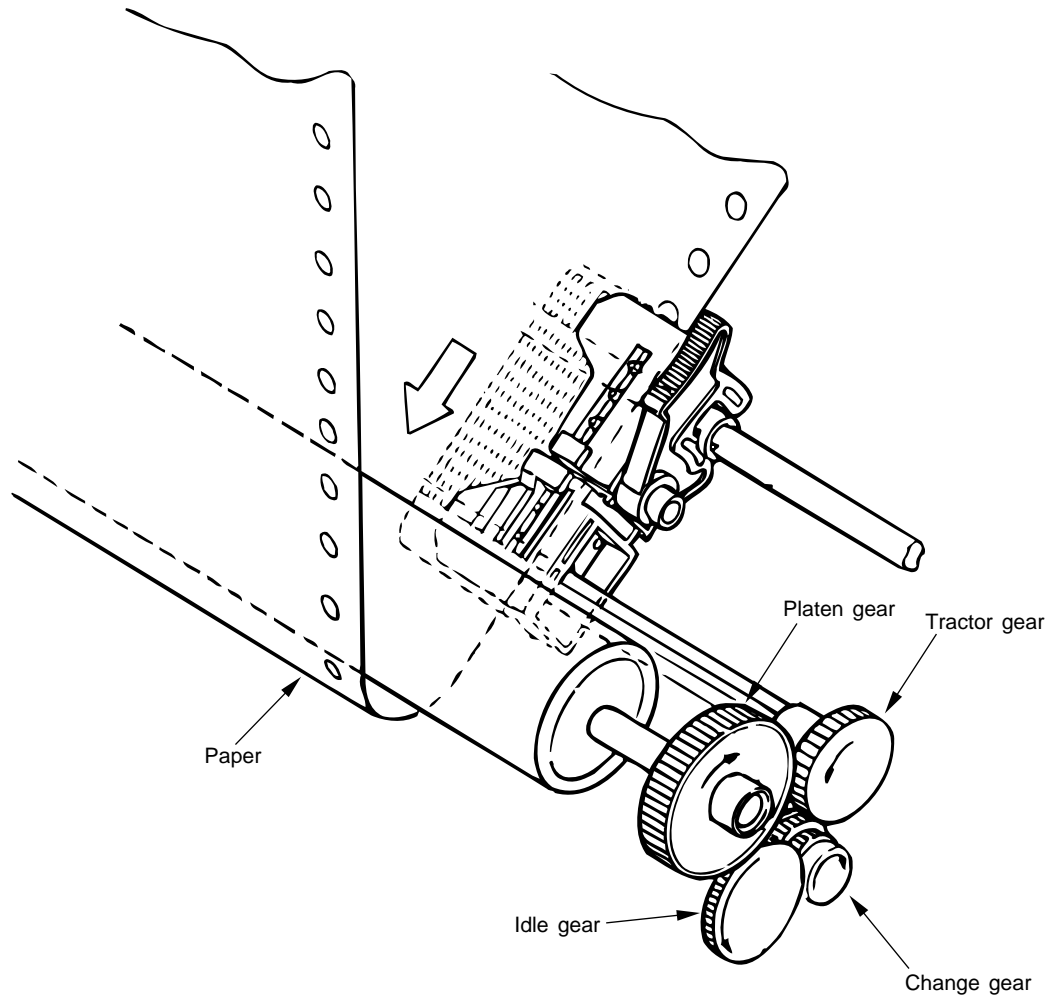


Figure 2-10

(4) Push and pull tractor mechanism (Option) (See Figure 2-11).

This mechanism consist of an optional pull tractor and a standard push tractor mechanism. This mechanism can perform forward and reverse feed by setting continuous sheets to the push tractor and pull tractor.

The rotation of the platen is transmitted to the push tractor and the pull tractor. Sheets are fed by these two tractors at the same time.

To remove slack from the sheets, set the sheets according to the following procedure when using the push and pull tractors.

- ① Set the change lever to the **REAR** position (setting the sheets to the push tractor to feed).
- ② Set the paper, which is fed in front of the platen, to the pull tractor.
- ③ Set the change lever to the **TOP** position and feed paper using the platen knob.
- ④ If paper slack is removed, set the change lever to the **REAR** position.

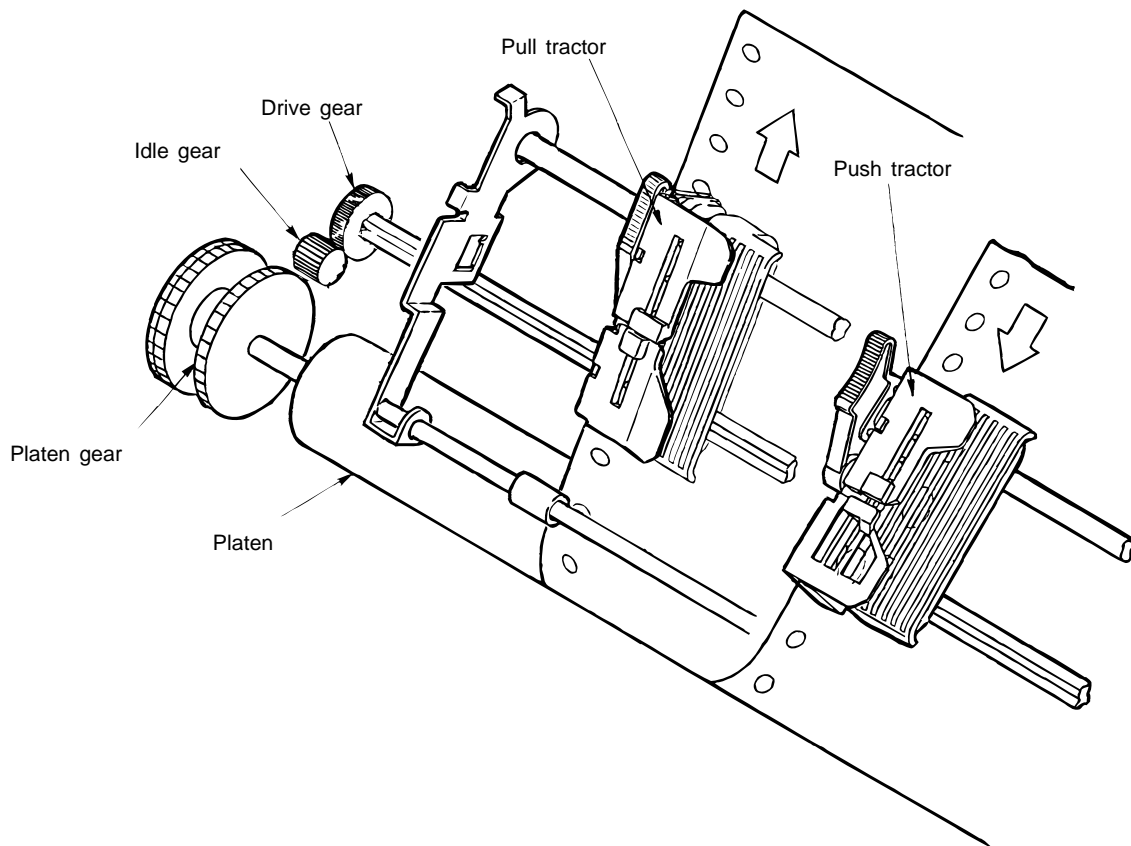


Figure 2-11

(5) Pull tractor mechanism (option) (See Figure 2-12.)

Bottom feed of continuous sheets is possible only when an optional pull tractor unit is installed.

The rotation of the platen is transmitted to the idle gear of the pull tractor unit through the platen gear at the left end of the platen. The rotation of the idle gear is transmitted to the drive gear, and continuous sheet forms are fed by the pull tractor being rotated through the sheet feeder shaft.

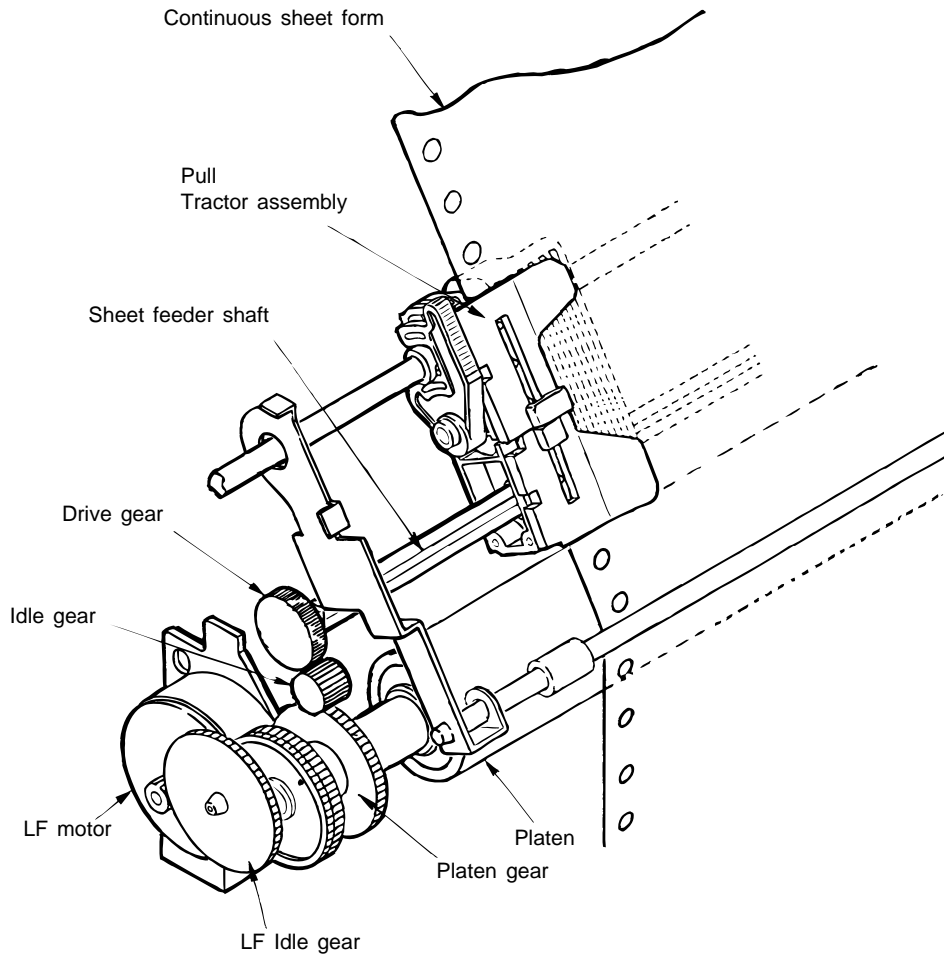


Figure 2-12

(6) Bottom push feed operation (Option) (See Figure 2-13.)

The bottom push feed of the continuous sheet is possible only when the bottom tractor feed unit is installed.

When the platen rotates, the rotational force of the platen is transmitted through the tractor idle gear and the tractor change gear to the tractor drive gear of the bottom push tractor, and the sheet of paper is fed in to the print start position.

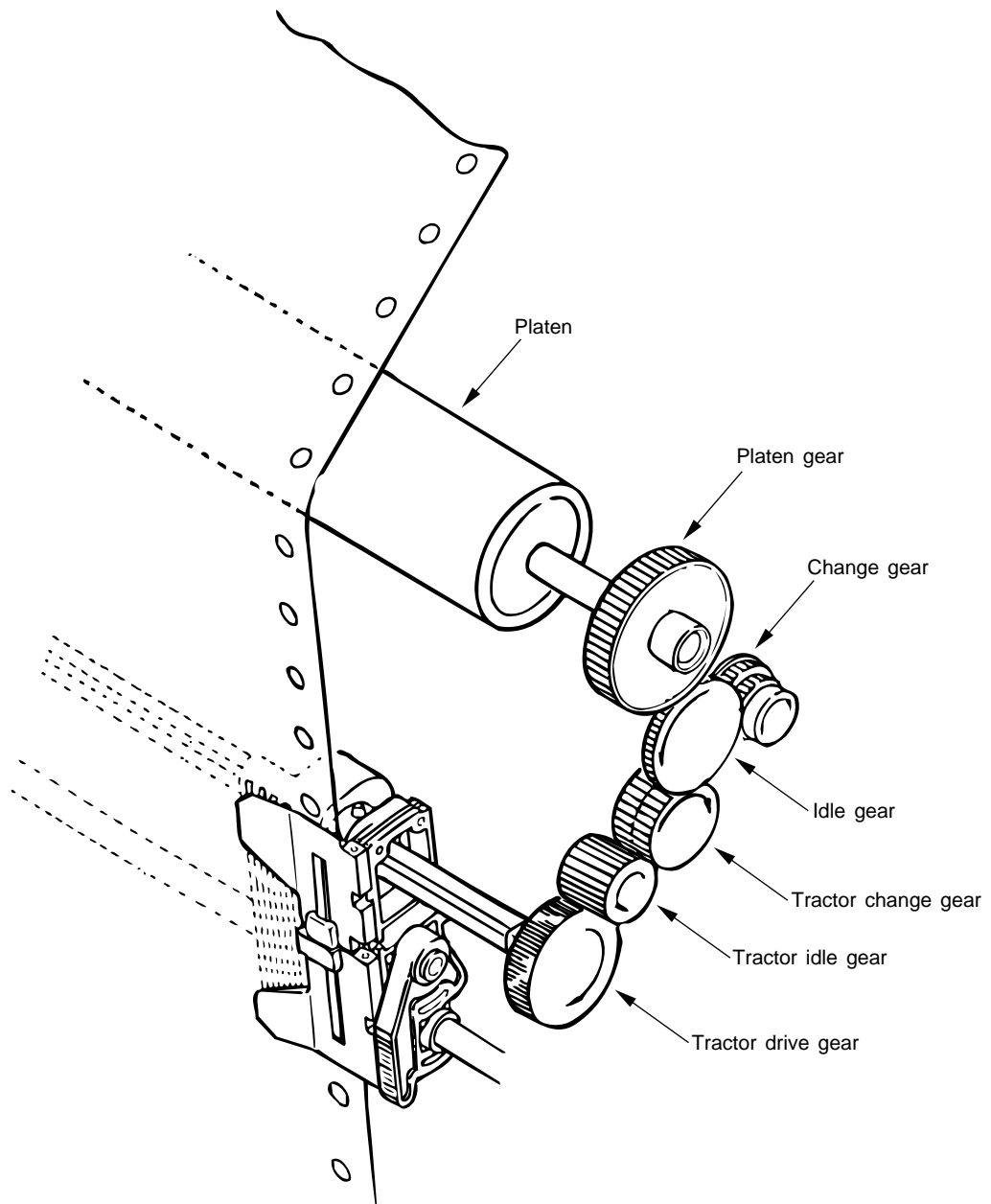


Figure 2-13

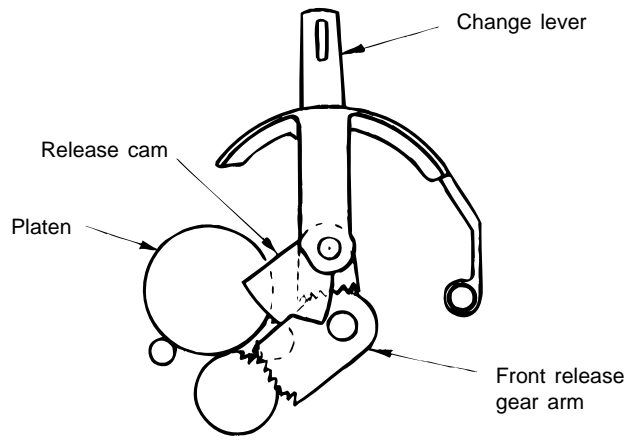
(7) Paper clamp mechanism (See Figure 2-14.)

When setting the change lever to the **BOTTOM**, **TOP** or **REAR** position, the operation of the front release gear arm changes according to the position of the release cam. And at the same time, the position of the cam installed to the front release gear shaft changes, and the open and close of the pressure roller.

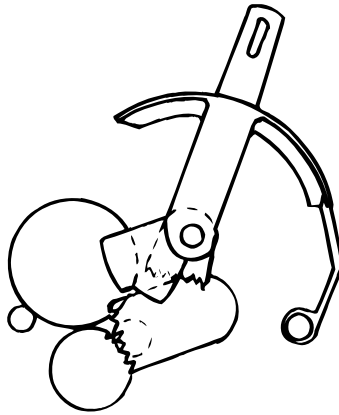
| Position of change lever | Open or close of front pressure roller | Open or close of rear pressure roller |
|--------------------------|--|---------------------------------------|
| BOTTOM                   | OPEN                                   | OPEN                                  |
| TOP                      | CLOSE                                  | CLOSE                                 |
| REAR                     | OPEN                                   | OPEN                                  |



TOP



BOTTOM



REAR

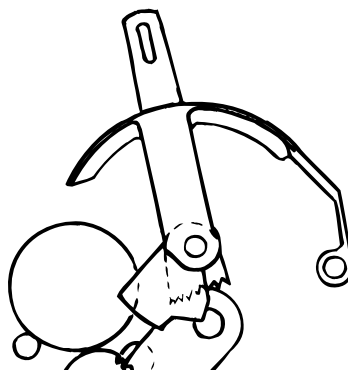


Figure 2-14

## 2.2.6 Paper Detection Mechanism (See Figure 2-15.)

### (1) Cut sheet detection

When the cut sheet is inserted, the point A is pushed backward and the paper near end lever B rotates counter clockwise (CCW).

At this time, the rear sensor lever rotates counterclockwise (CCW), the rear sensor lever and pulls out of the rear and top paper end sensor to detect that the sheet is provided.

The procedure for the paper end is made in the reverse order, that is, its detection is performed when the paper end sensor is blocked.

### (2) Rear feed detection

When the sheet is fed from the push tractor, the point B is pushed to the front side and the paper near end lever A rotates clockwise (CW). At this time, the rear sensor lever rotates counterclockwise (CCW), and pulls out of the rear and top paper end sensor to detect that the sheet is provided.

The procedure for the paper end is made in the reverse order, that is, its detection is performed when the rear sensor lever intercepts the sensor.

### (3) Bottom feed detection

When the sheet is fed from the bottom, the point C rotates clockwise (CW). When the bottom sensor lever rotates clockwise (CW), it pulls out of the bottom paper end sensor to detect that the sheet is provided.

The procedure for the paper end is made in the reverse order, that is, its detection is performed when the bottom sensor lever intercepts the sensor.

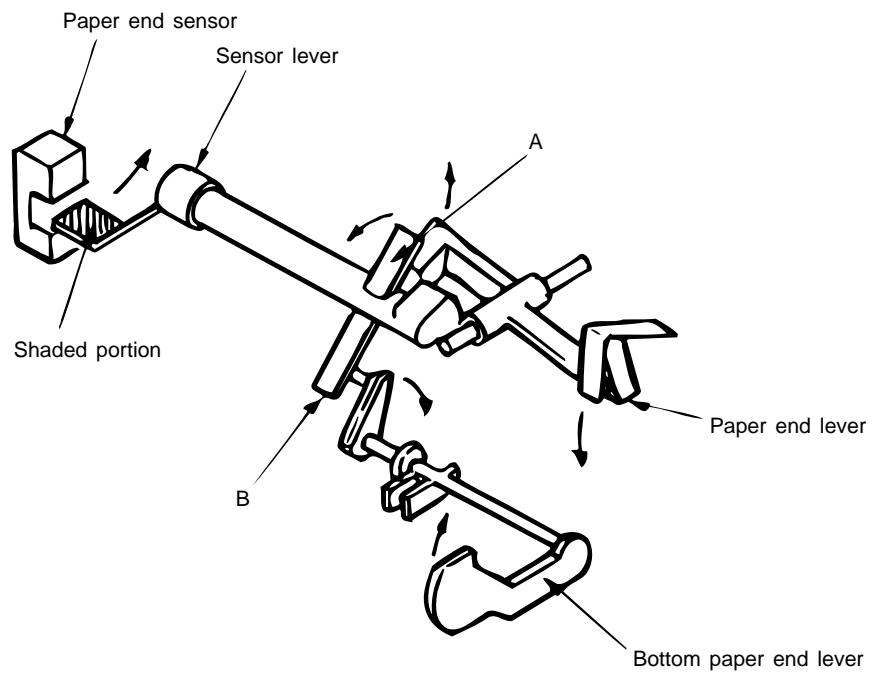


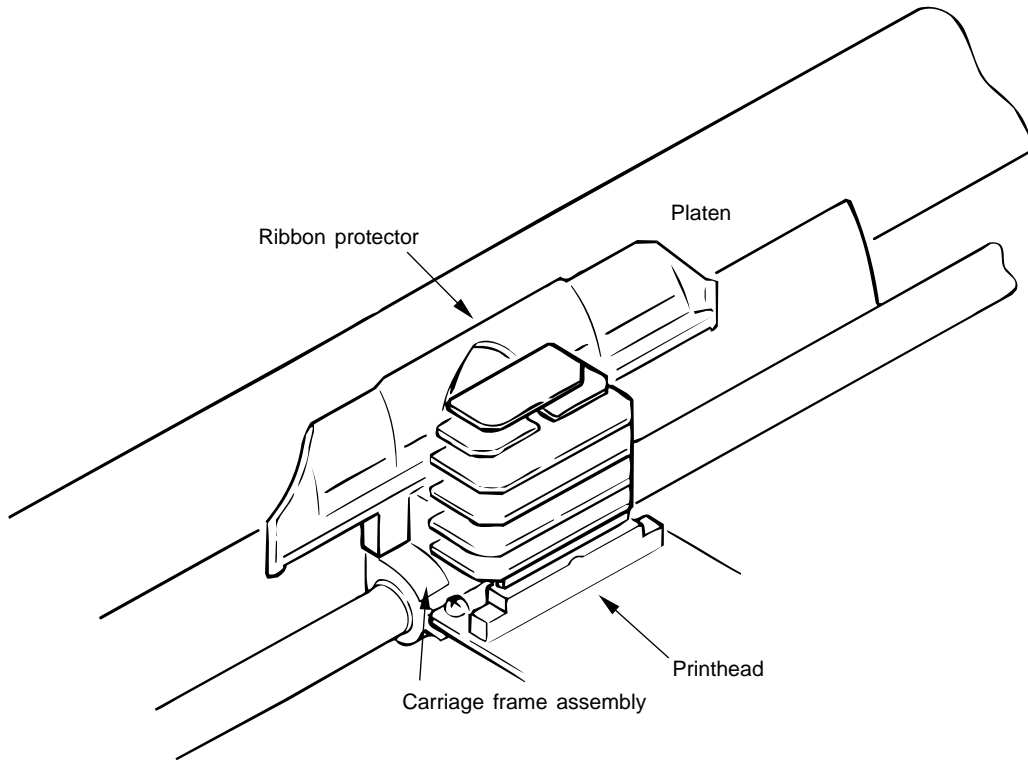
Figure 2-15

(4) Top line print mechanism (See Figure 2-16.)

The front edge of the sheet is protected by the ribbon protector so that it can stop at a position just near to the print head (0 tear off position) to start printing at the front end of the sheet, without causing the sheet to crumple or curl up.

The printing starts at the front end of the sheet, and continues uni-directionally until the front end of the sheet gets to the inside of the pull up roller cover.

After that, that printing continues bi-directionally.



**Figure 2-16**

## 2.2.7 Automatic Sheet Feed

This function is used to feed in the sheet automatically up to the print start position when the cut sheet or the continuous sheet is used.

[Operational procedure]

(1) When using the cut sheet

- 1) Set the change lever to the **TOP** position. (See Figure 2-17.)
- 2) Insert a sheet of paper between the platen and the paper shoot.
- 3) After the lapse of time selected by the "wait time" in the menu, the LF motor starts its operation to feed the sheet of paper up to the print position.
- 4) When the default is selected, the sheet of paper is feed in up to the position 0.35 inches (first dot position) from the upper end of the sheet. However, the 0 tear off mechanism allows the printing at the front end of the sheet by changing the TOF position.

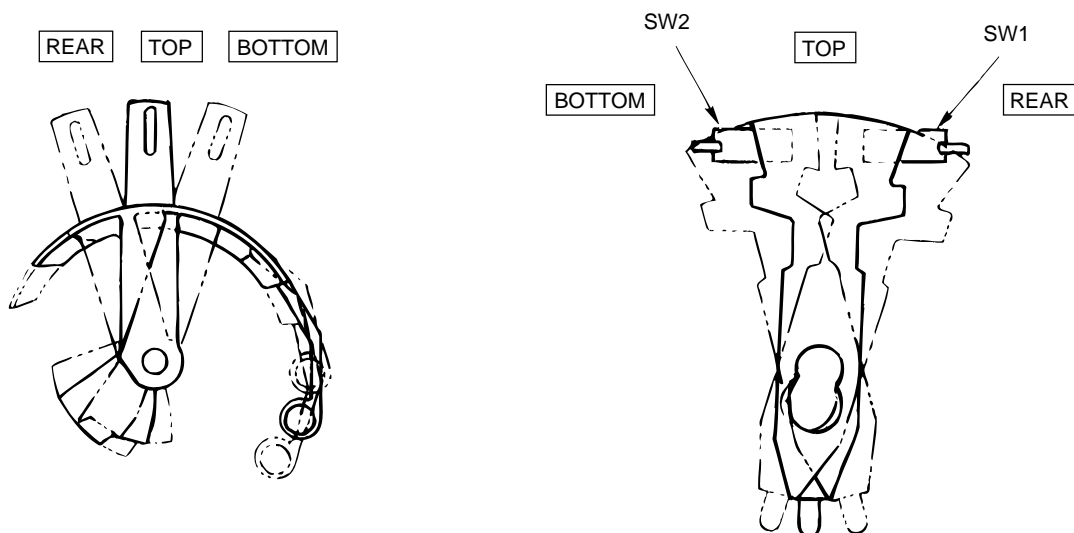
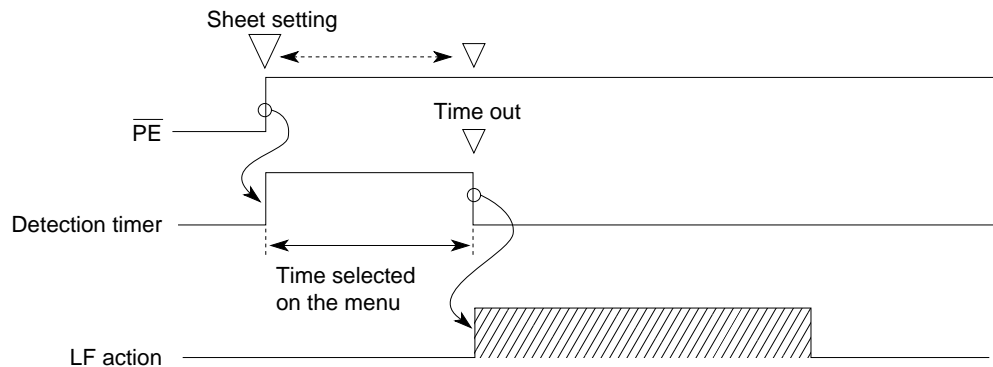
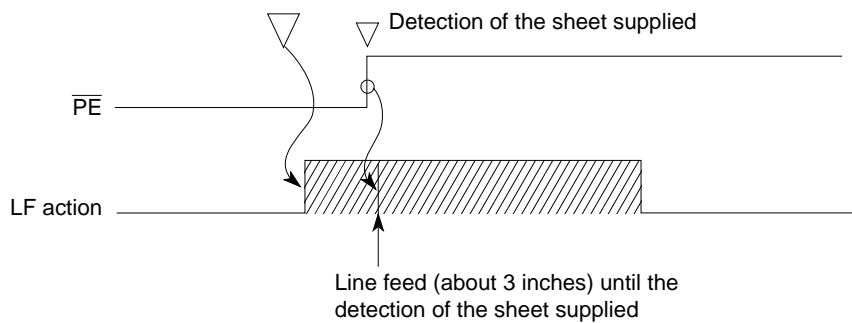


Figure 2-17

(2) When using the continuous paper

- 1) Set the change lever either to the rear side or the bottom side position. (See Figure 2-17.)
- 2) Set a sheet of paper either to the push tractor or the bottom tractor.
- 3) Press the "FF/LOAD" switch.
- 4) The LF motor starts its operation to feed the paper up to the print start position.
- 5) The paper is fed in up to the TOF position (Factory default: 0.35 inches from the top).

Push down the "FF/LOAD" switch.

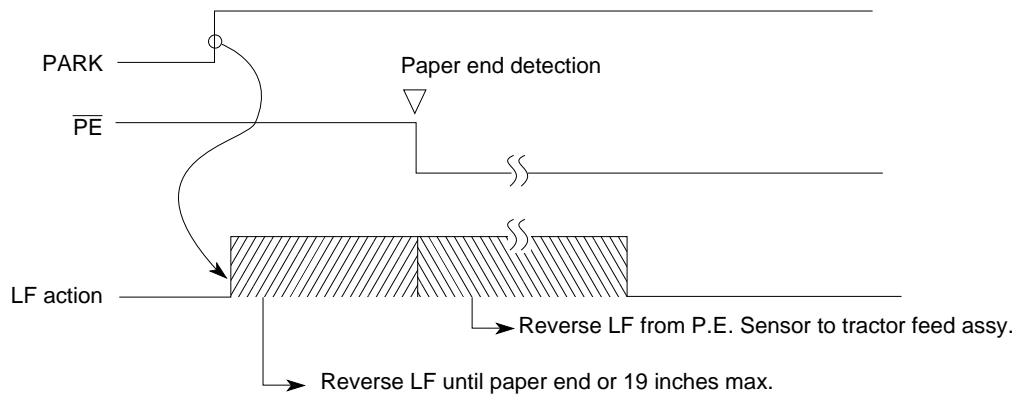


When the "FF/LOAD" switch is pushed down, the LF motor feeds in the sheet about 3 inches. When the LF motor completes the operation and the sheet has not been fed in, the feeding operating operation becomes, ineffective, thus resulting in the feeding jam.

## 2.2.8 Paper Park Function (Continuous paper)

Continuous sheets which have been inserted can be reversed automatically by using the "PARK" button on the operation panel.

- 1) Press the "PARK" button on the operation panel.
- 2) Reverse LF is started and paper is fed in reverse until paper end occurs or 19 inches maximum have been fed.
- 3) The paper is fed in reverse, to leave the paper on the push-tractor or bottom-tractor.



Alarm LED lights up when P.E. is not detected after 19 inches reverse feeding.

Operator can press SEL key to turn off the ALARM LED then press PARK key to continue park function.

This operation is required when the length of paper for parking is more than 19 inches.



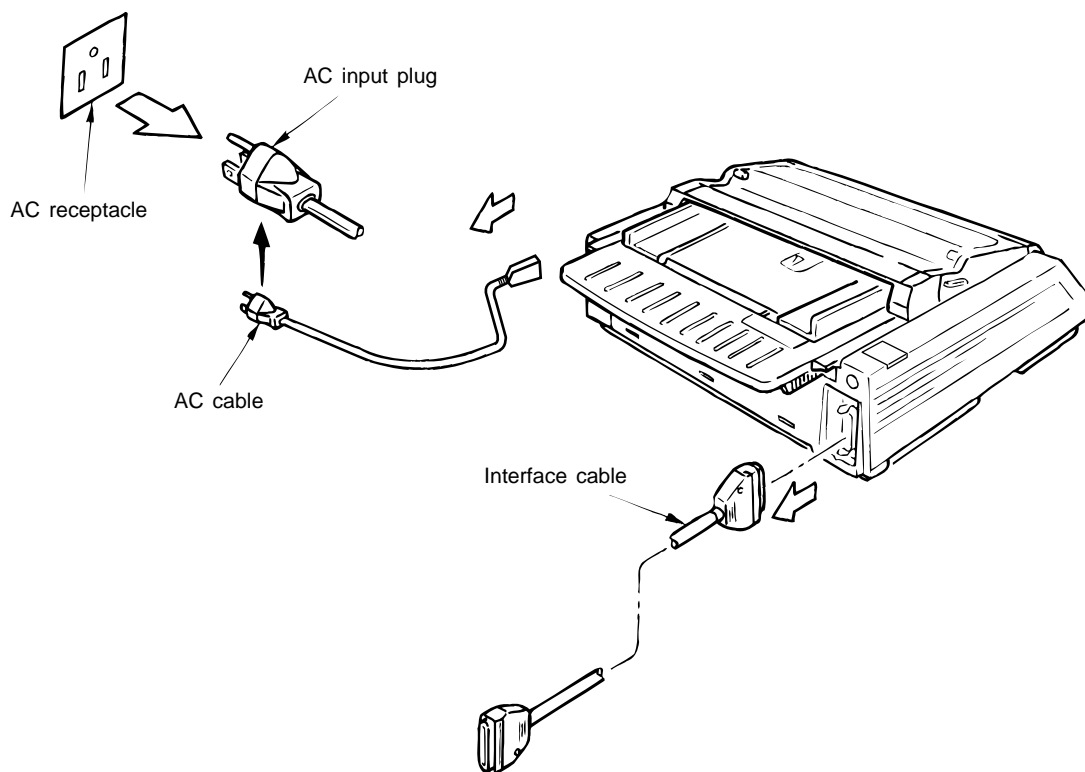
### 3. ASSEMBLY/DISASSEMBLY

This section explains the procedures for removing and installing various assemblies and units in the field.

Description is mainly limited to the removal procedure; installation should basically be performed in the reverse sequence of the removal procedure.

#### 3.1 Precaution for Parts Replacement

- (1) Remove the AC cable and the interface cable before disassembling or assembling.
  - (a) Turn off the AC power switch. Remove the AC input plug of the AC cable from the receptacle. Remove the AC cable from the inlet on the printer (only 200V).
  - (b) To connect the AC cable again, connect it to the inlet on the printer (only 200V) first, then insert the AC input plug into a receptacle.

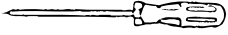
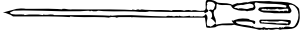

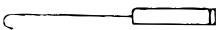
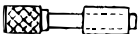




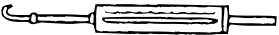


- (2) Do not disassemble the printer as long as it is operating normally.
- (3) Do not remove unnecessary parts, and limit the disassembly area as much as possible.
- (4) Use the designated service tools.
- (5) Carry out disassembly in the prescribed sequence; otherwise, damage to the parts may result.
- (6) It is advisable to temporarily install screws, snap rings and other small parts in their original positions to avoid losing them.
- (7) Whenever handling the microprocessors, ROM, RAM IC chips and boards, do not use gloves which may cause static electricity.
- (8) Do not place the printed circuit board directly on the equipment or on the floor.
- (9) If adjustment is specified in the middle of installation, follow the instructions.

### 3.2 Service Tools

Table 3.1 lists the tools necessary for replacing printed circuit boards and parts of units in the field.

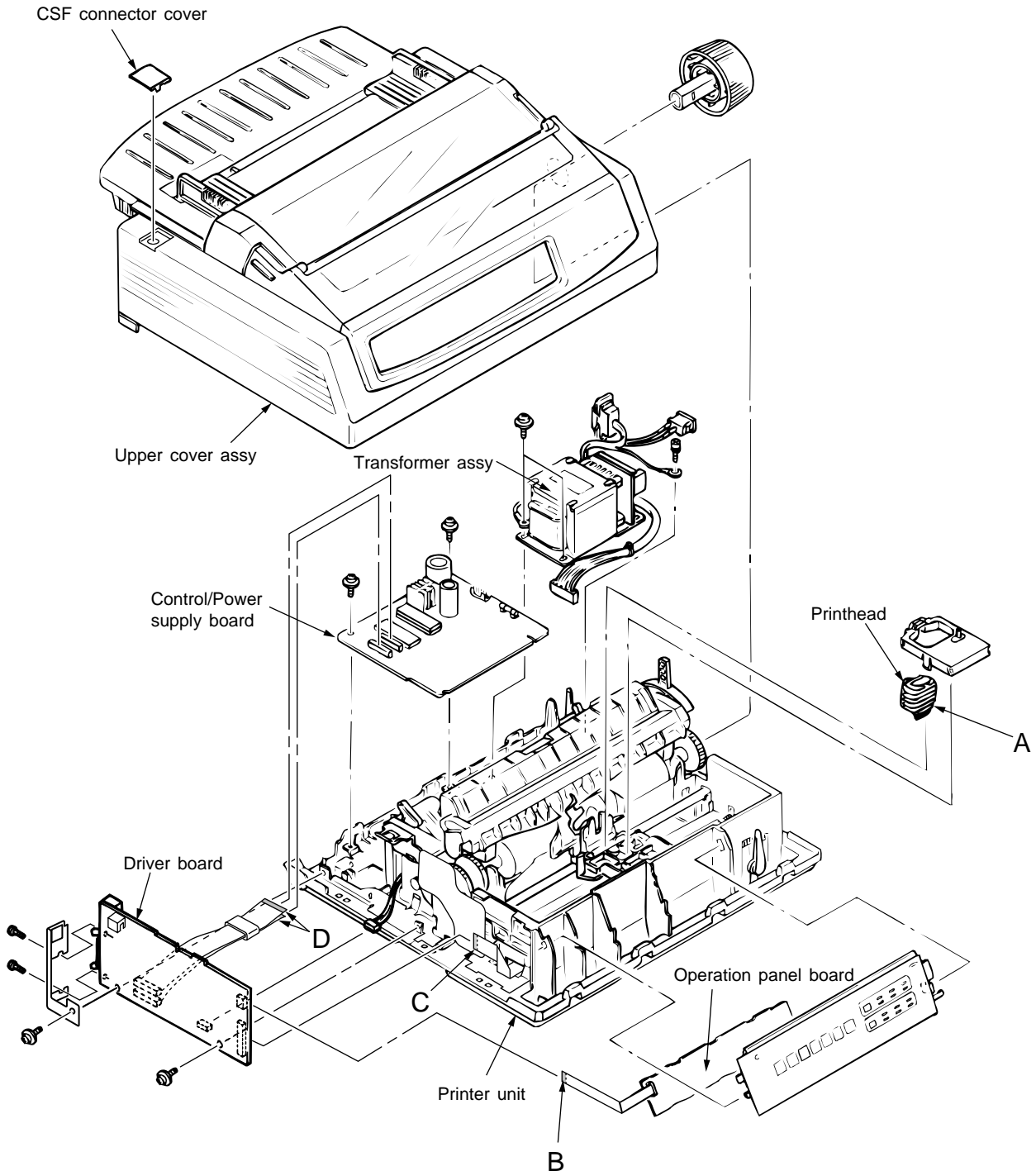
**Table 3.1 Service tools**

| No. | Service Tool   | Q'ty | Use                 | Remarks |
|-----|--|------|---------------------|---------|
| 1   |  No. 1-100 Phillips screwdriver       | 1    | Screws 2.6 mm       |         |
| 2   |  No. 2-200 Phillips screwdriver       | 1    | Screws 3-5 mm       |         |
| 3   |  No. 3-100 screwdriver                | 1    |                     |         |
| 4   |  Spring hook                          | 1    |                     |         |
| 5   |  J-YX4025-83335-3                     | 1    | Head gap adjustment |         |
| 6   |  Volt/ohmmeter                       | 1    |                     |         |
| 7   |  Feeler gauge                       | 1    | Head gap adjustment |         |
| 8   |  Pliers                             | 1    |                     |         |
| 9   |  No. 5 nippers                      | 1    |                     |         |
| 10  |  1.1 lbs (500 g) bar pressure gauge | 1    |                     |         |

### 3.3 Disassembly/Reassembly Procedure

This section explains the assembly replacement procedures according to the following disassembly system.

[Parts Layout]



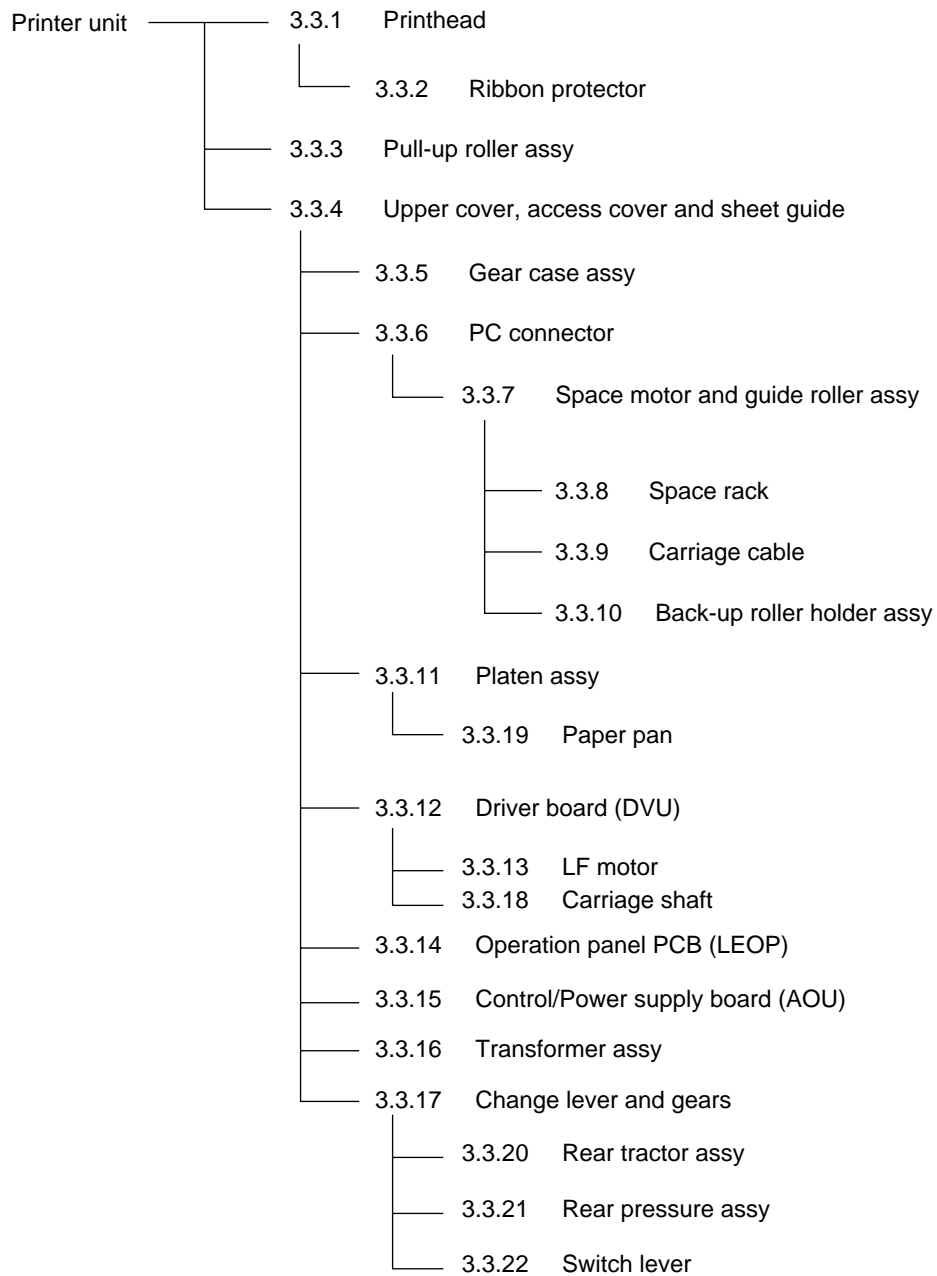
**Figure 3-1 Printer unit**

#### Notes on installation

- (1) Make sure that there is not any dust or oil on the connector contact sections A to D. If it is found, wipe it off by alcohol.

## [How to Change Parts]

This section explains how to change parts and assemblies appearing in the disassembly diagram below.



### 3.3.1 Printhead

- (1) Open the access over.
- (2) Pull up and rotate the head clamp ① to unclamp the printhead ② as shown fig. 3.3.1.
- (3) Disconnect the printhead ② from PC connector ③.
- (4) To install, follow the removal steps in the reverse order.

#### Notes on installation:

- (1) Insert the printhead ② into the PC connector ③ while pushing it against the carriage frame ④.
- (2) The head clamp ① must surely be sandwiched between printhead ② and carriage frame ④ as shown fig. 3.3.2.
- (3) Be sure to check the gap between platen and printhead (see 4).
- (4) Be careful not to touch the print head while it is very hot.
- (5) Make sure that there is not any dust or oil on the connector contact section A. If it is found, wipe it off by alcohol.

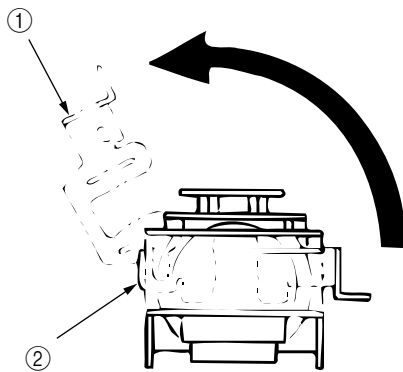


Figure 3.3.1

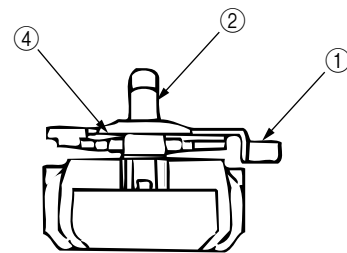
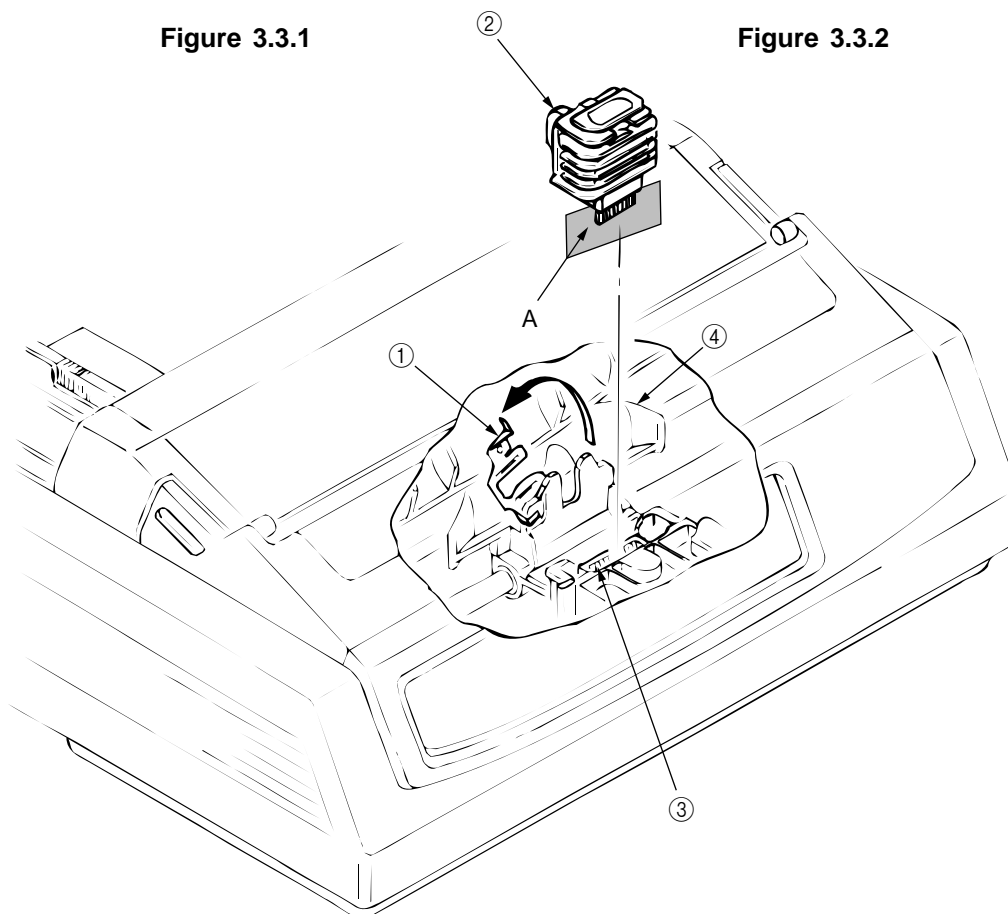
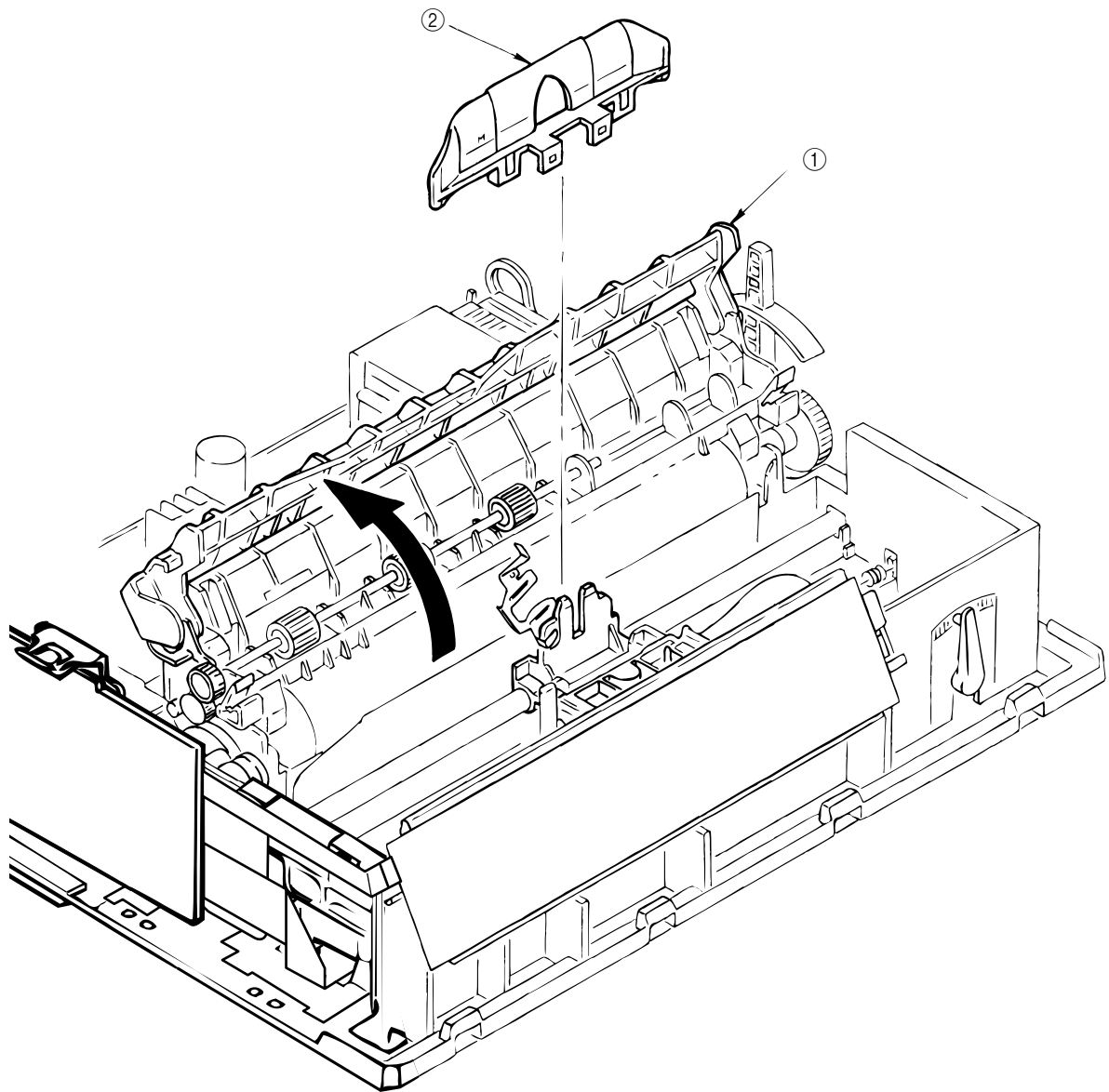


Figure 3.3.2



### 3.3.2 Ribbon Protector

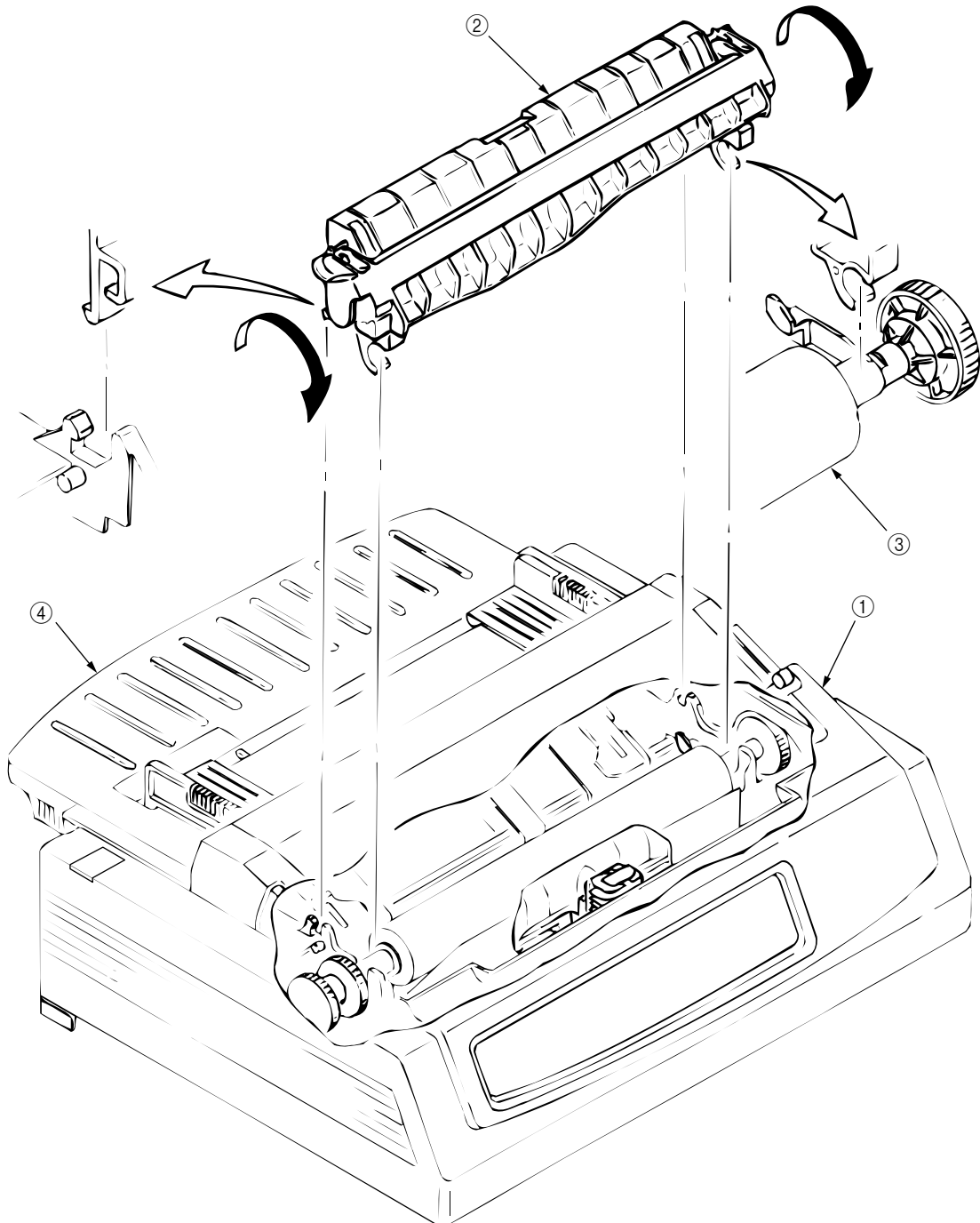
- (1) Remove the printhead (see 3.3.1).
- (2) Open the pull-up roller cover ①.
- (3) Raise and remove the ribbon protector ②.
- (4) To install, follow the removal steps in the reverse order.



### 3.3.3 Pull-up Roller Assy

- (1) Open the access cover ①.
- (2) Lift up the sheet guide Assy ④ to remove.
- (3) Tilting the pull-up roller Assy ② toward the front, remove from the shaft of platen Assy ③.
- (4) To install, follow the removal steps in the reverse order.

**Note:** Remove the sheet guide Assy ④ before installing or removing the pull-up roller Assy ②.

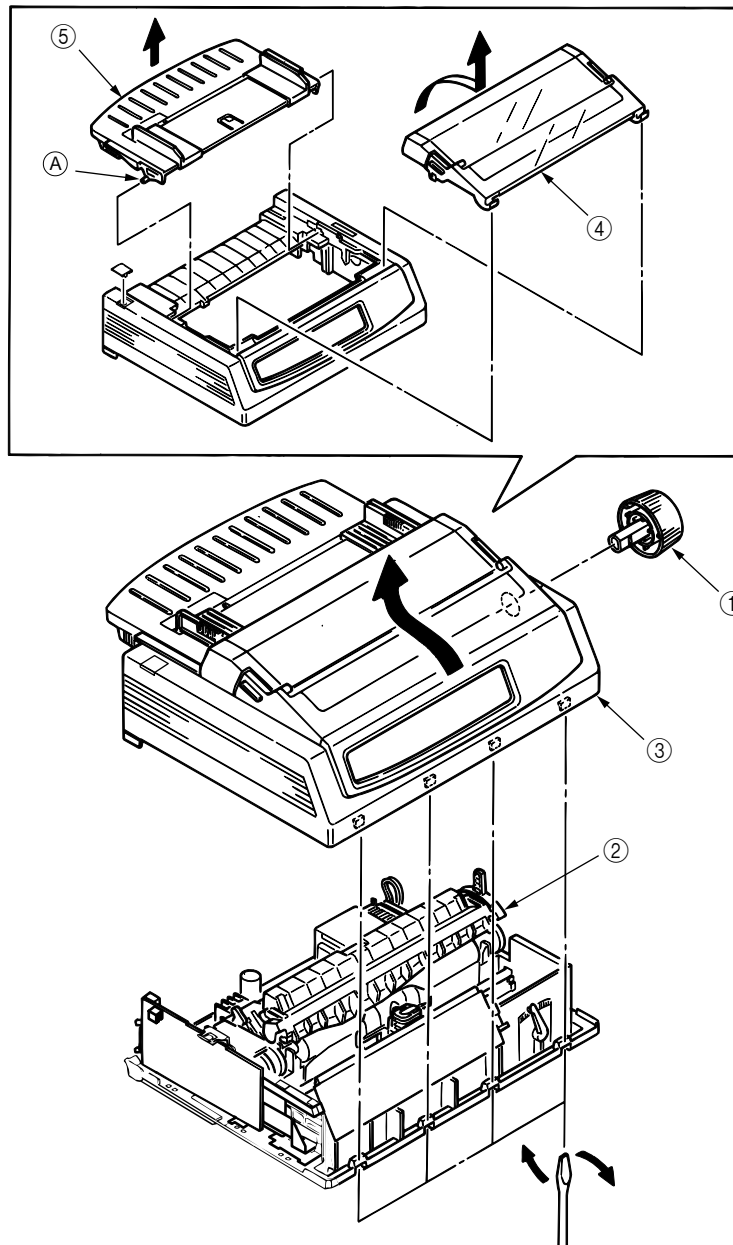


### 3.3.4 Upper Cover Assy, Access Cover Assy and Sheet Guide Assy

- (1) Pull off the platen knob ①.
- (2) Turn the change lever ② toward the bottom position.
- (3) Insert a flat-blade screwdriver into grooves (5 places) (4 places for narrow type) of frame and twist to disengage claws of upper cover ③.
- (4) Raise the front side of upper cover Assy ③ and shift toward the rear to disengage claws (6 places) (5 places for narrow type) of frame.
- (5) Raise the upper cover Assy ③ to remove.
- (6) Open the access cover Assy ④ toward the front to remove.
- (7) Lift up the sheet guide Assy ⑤ to remove.
- (8) To install, follow the removal steps in the reverse order.

Remark on assembly:

Match the posts ①A at the both sides of the Sheet Guide ⑤ with the arrow marks on the upper cover. Push the Guide into the Cover.



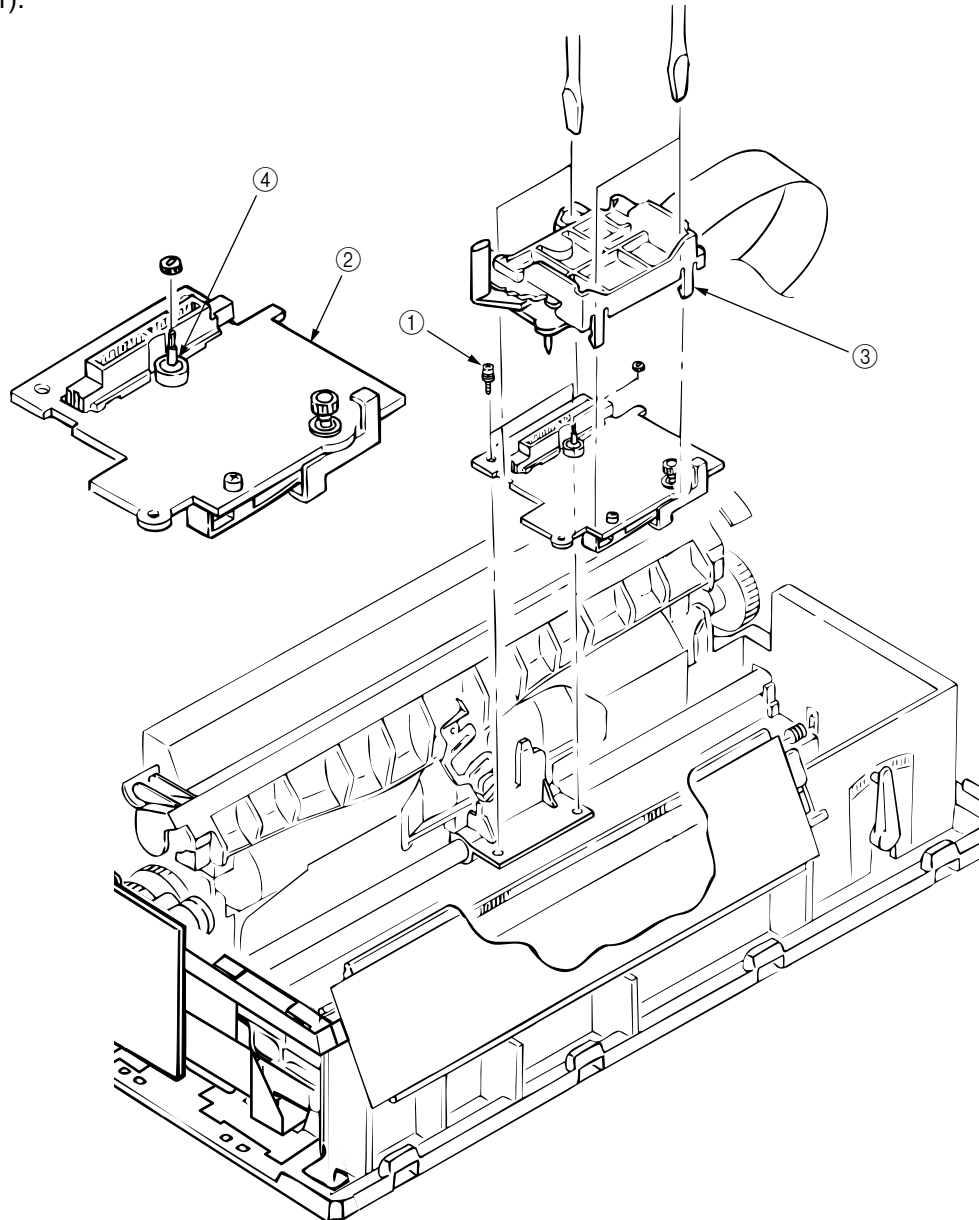


### 3.3.5 Gear Case Assy

- (1) Remove the printhead (see 3.31).
- (2) Remove the upper cover (see 3.3.4 (1) – (5)).
- (3) Move the carriage Assy to right hand side, remove two screws ①, then the space motor ②.
- (4) Disconnect a carriage cable.
- (5) Disengage claws (4 places).  
Using a flat-blade screwdriver, push to widen the claw for easy disengagement.
- (6) Remove the gear case Assy ③ in upper direction and release the carriage cable from the cable clamp of the gear case Assy.
- (7) To install, follow the removal steps in the reverse order.

Note on installation:

- (1) To assemble, align the direction of the SP motor axis ④ with the Gear Hole of the Gear Case Assy.
- (2) Be sure to check, and adjust if necessary, the gap between platen and printhead (see 4-1).

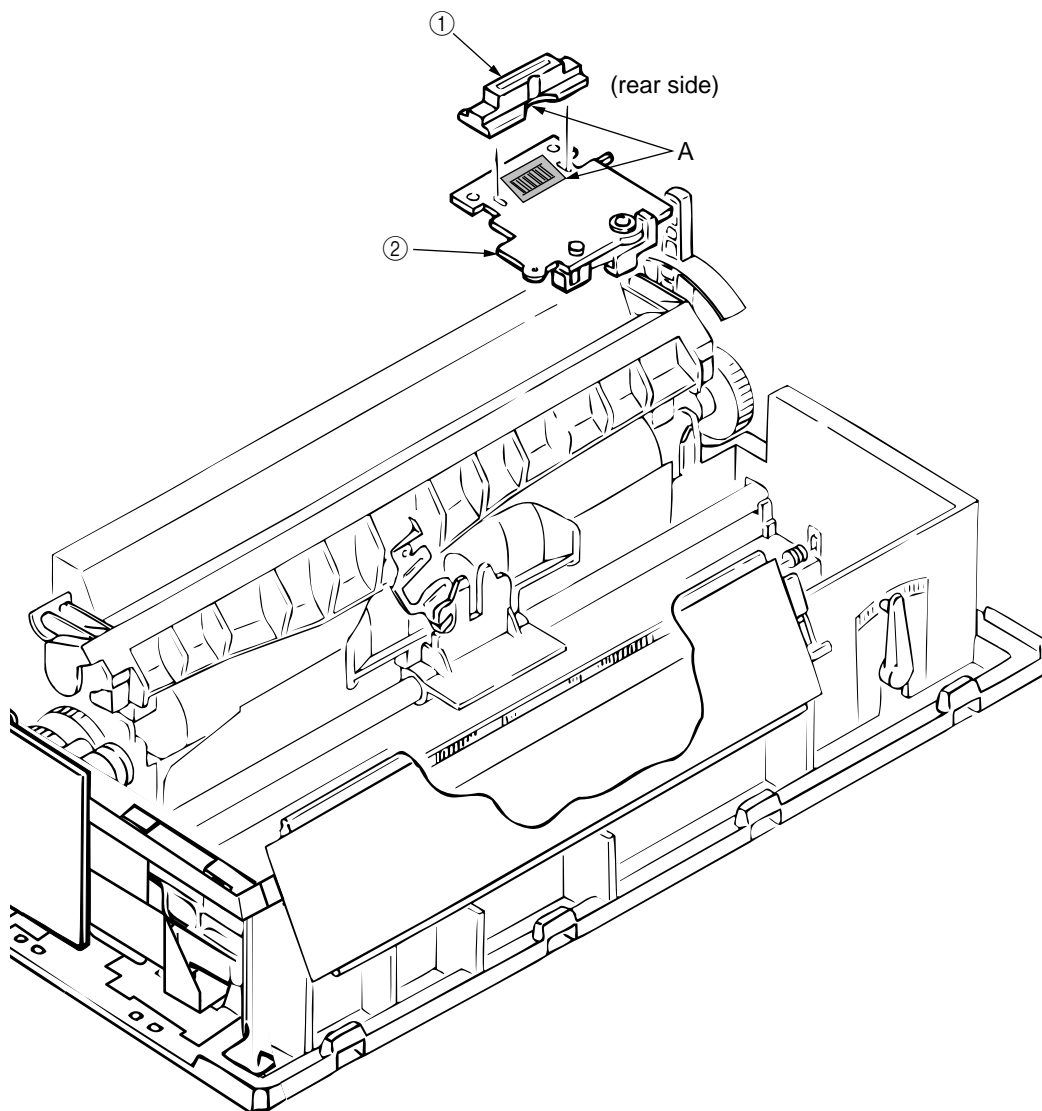


### 3.3.6 PC Connector

- (1) Remove the printhead (see 3.3.1).
- (2) Remove the upper cover (see 3.3.4 (1) – (5)).
- (3) Remove the gear case Assy (see 3.3.5).
- (4) Remove the PC connector ① from the space motor Assy ②.
- (5) To install, follow the removal steps in the reverse order.

#### Note on installation:

- (1) Do not touch the space motor ② or terminals of PC connector ①. Also, take care to avoid dust or foreign matters.
- (2) After installation, check and adjust the gap between platen and printhead (see 4-1).
- (3) Make sure that there is not any dust or oil on the connector contact section A. If it is found, wipe it off by alcohol.

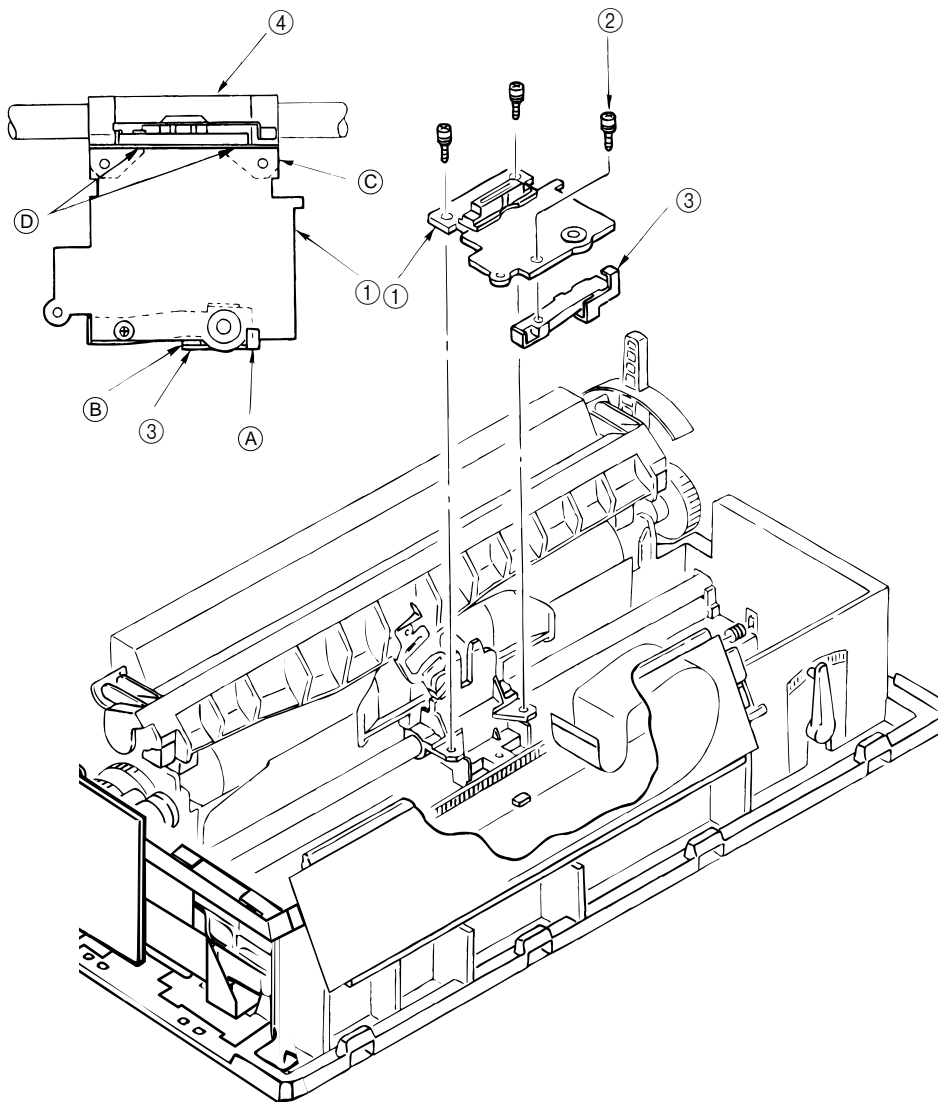


### 3.3.7 Space Motor, Guide Roller Assy

- (1) Remove the printhead (see 3.3.1).
- (2) Remove the upper cover (see 3.3.4 (1) – (5)).
- (3) Remove the gear case Assy (see 3.3.5).
- (4) Remove the PC connector (see 3.3.6).
- (5) Remove screw ②, then the guide roller Assy ③ from the space motor ①.
- (6) To install, follow the removal steps in the reverse order.

#### Notes on installation:

- (1) Do not touch the terminals of space motor ①. Also, take care to avoid dust or foreign matters.
- (2) When installing the guide roller Assy ③, push portions A and B against the space motor ①.
- (3) When installing the space motor ①, align the face C with carriage frame ④ and push portion D against the frame.
- (4) After installation, check and adjust the gap between platen and printhead (see 4-1).

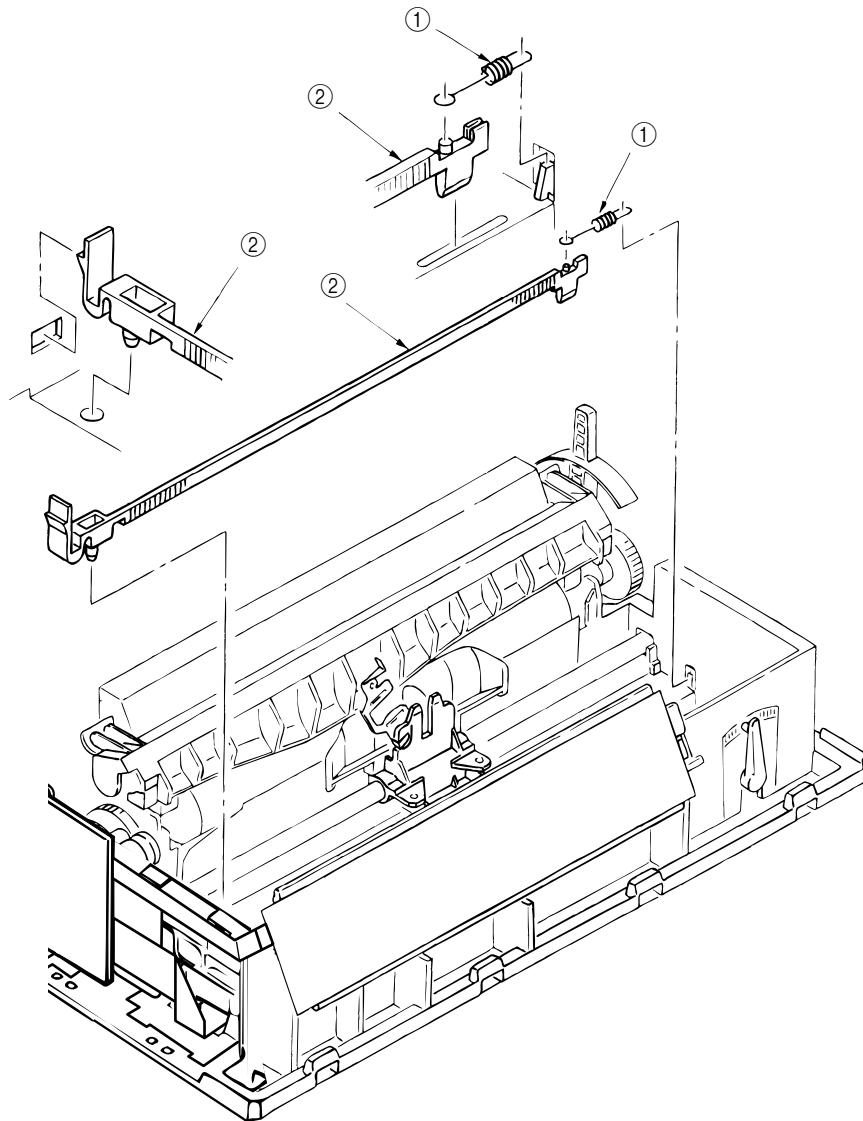


### 3.3.8 Space Rack

- (1) Remove the printhead (see 3.3.1).
- (2) Remove the upper cover (see 3.3.4 (1) – (5)).
- (3) Remove the gear case Assy (see 3.3.5).
- (4) Remove the space motor (see 3.3.7).
- (5) Remove the spring ①.
- (6) Disengage the claw on left side of space rack ② from the frame, and remove the space rack ② in upper direction.
- (7) To install, follow the removal steps in the reverse order.

Note on installation:

- (1) After installation, check and adjust the gap between platen and printhead (see 4-1).

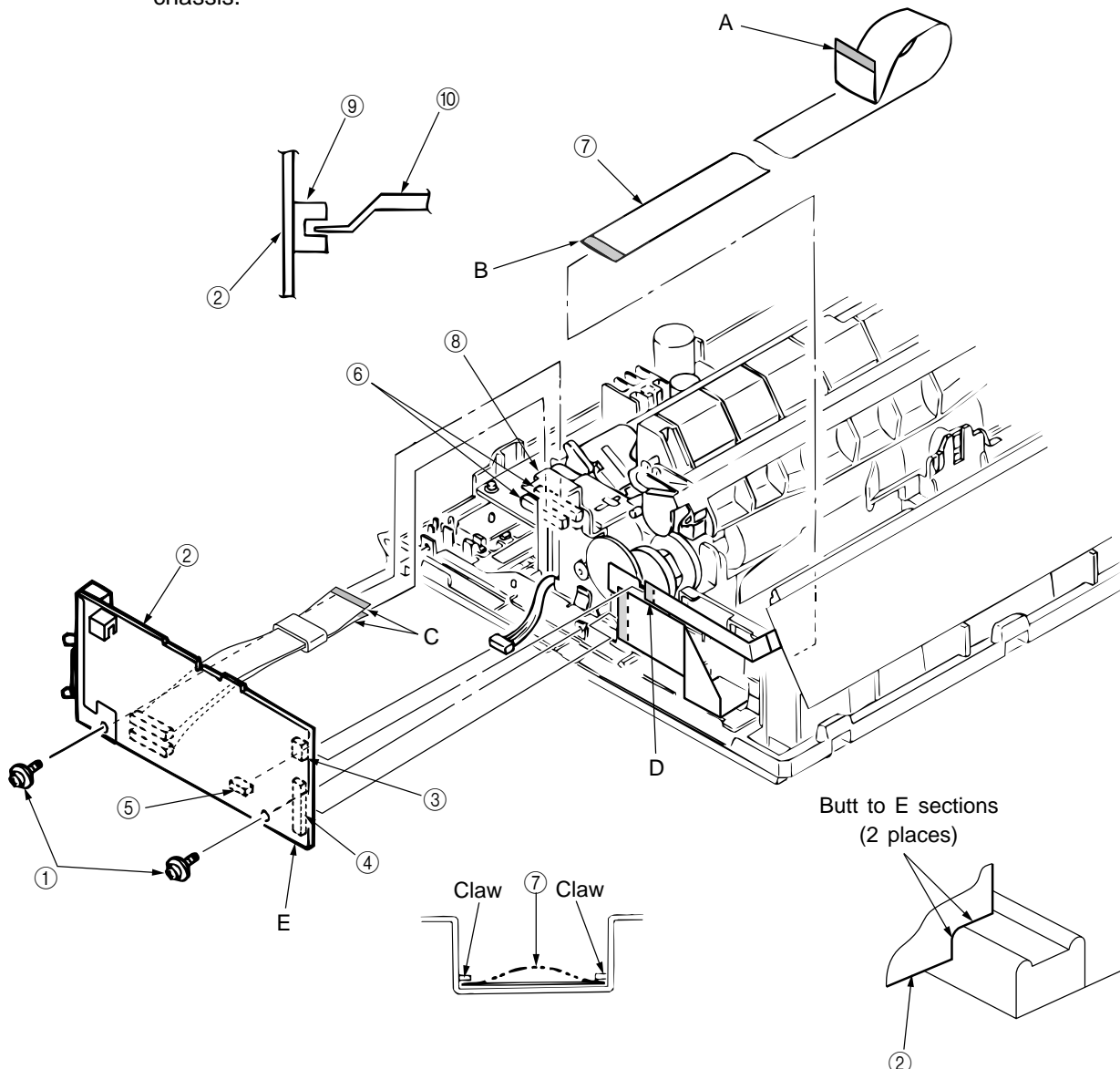


### 3.3.9 Carriage Cable

- (1) Remove the printhead (see 3.3.1).
- (2) Remove the upper cover (see 3.3.4 (1) – (5)).
- (3) Remove the gear case Assy (see 3.3.5).
- (4) Remove the space motor (see 3.3.7).
- (5) Remove the space rack (3.3.8).
- (6) Remove two screws ①, release the driver board ② by lifting clamp ⑧, and disconnect cable from connector ③, ④, ⑤, ⑥.
- (7) Remove carriage cable ⑦ from fasteners on frame.
- (8) To install, follow the removal steps in the reverse order.

#### Note on installation:

- (1) Take care not to fold the carriage cable ⑦ during installation. Curve slightly the carriage cable ⑦ when assembling into the fasteners.
- (2) Make sure that the paper end lever ⑩ will not contact the Paper end Sensor ⑨ when mounting the Driver Board.
- (3) Make sure that there is not any dust or oil on the connector contact sections A to D. If it is found, wipe it off by alcohol.
- (4) Butt and attach the drive board ② to the E sections (2 places) of the convex of the main chassis.



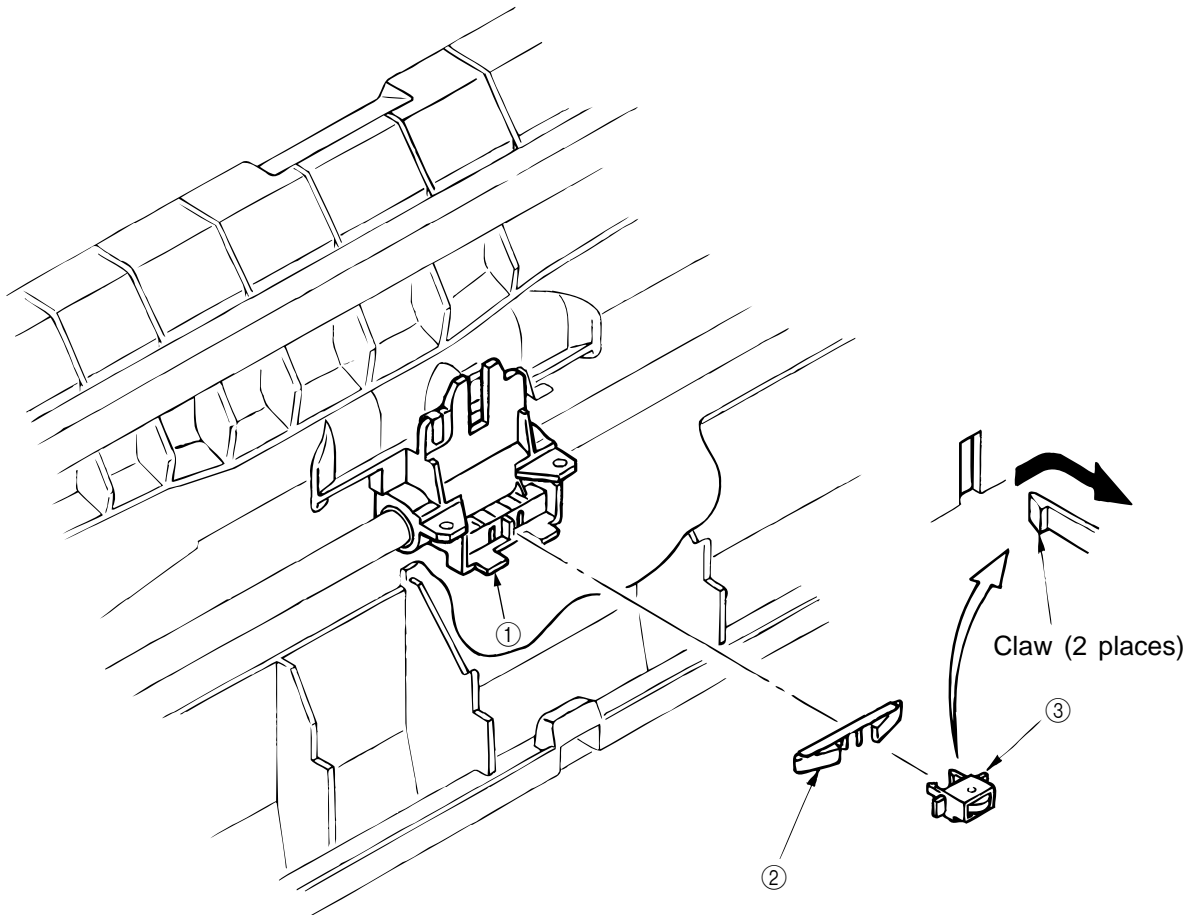
### 3.3.10 Backup Roller Holder Assy

- (1) Remove the printhead (see 3.3.1),
- (2) Remove the upper cover (see 3.3.4 (1) – (5)).
- (3) Remove the gear case Assy (see 3.3.5).
- (4) Remove the space motor (see 3.3.7).
- (5) Remove the backup roller spring ②.

Disengage claws (2 places) of roller holder from the carriage frame ①, and remove the backup roller holder assy ③.

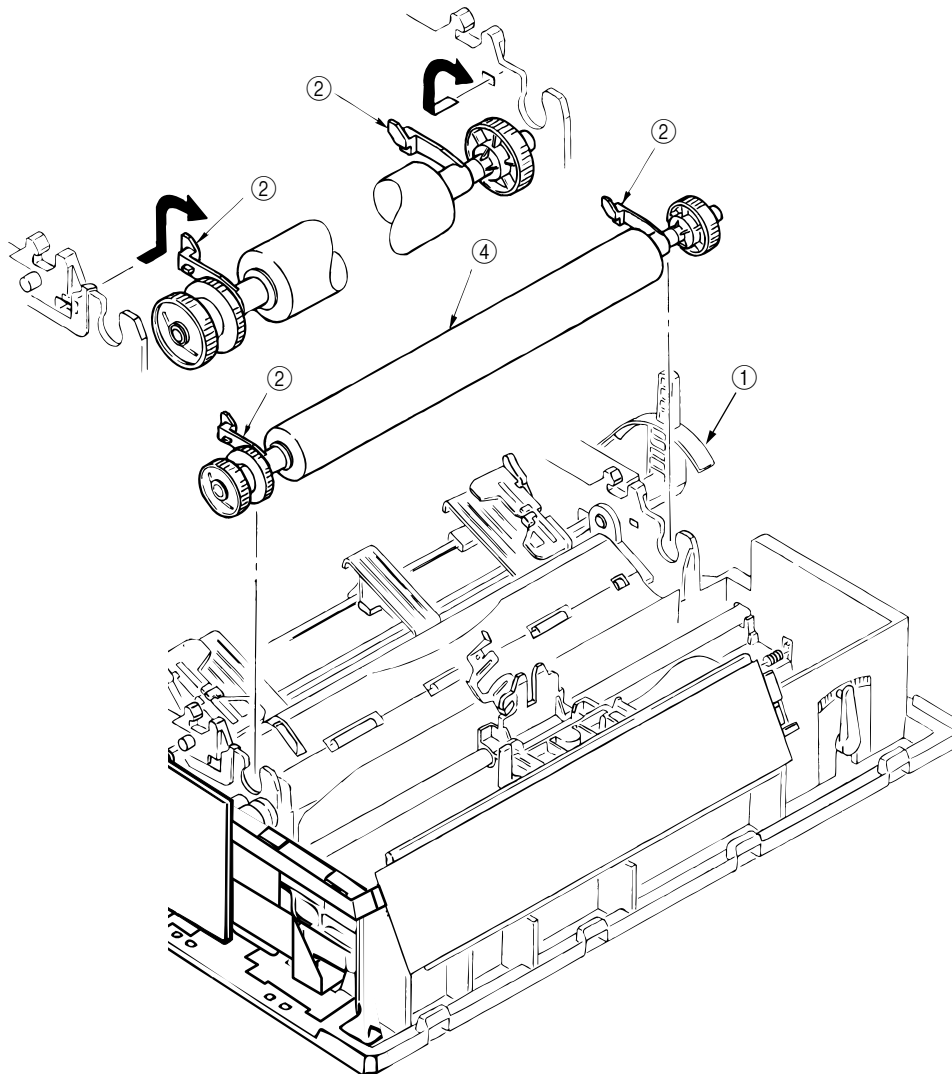
- (6) To install, follow the removal steps in the reverse order.

**Note:** Small round hole with metal tip on back up roller holder assy ③ should be facing up when installing.



### 3.3.11 Platen Assy

- (1) Remove the printhead (see 3.3.1).
- (2) Remove the ribbon protector (see 3.3.2).
- (3) Remove the pull-up roller Assy (see 3.3.3).
- (4) Remove the upper cover (see 3.3.1 (1) – (5)).
- (5) Turn the change lever ① to the bottom position.
- (6) Push in the lock levers ② on both sides to unlock from the frame, then rotate them upward by 90°.
- (7) Remove the platen Assy ④ from base frame.
- (8) To install, follow the removal steps in the reverse order.

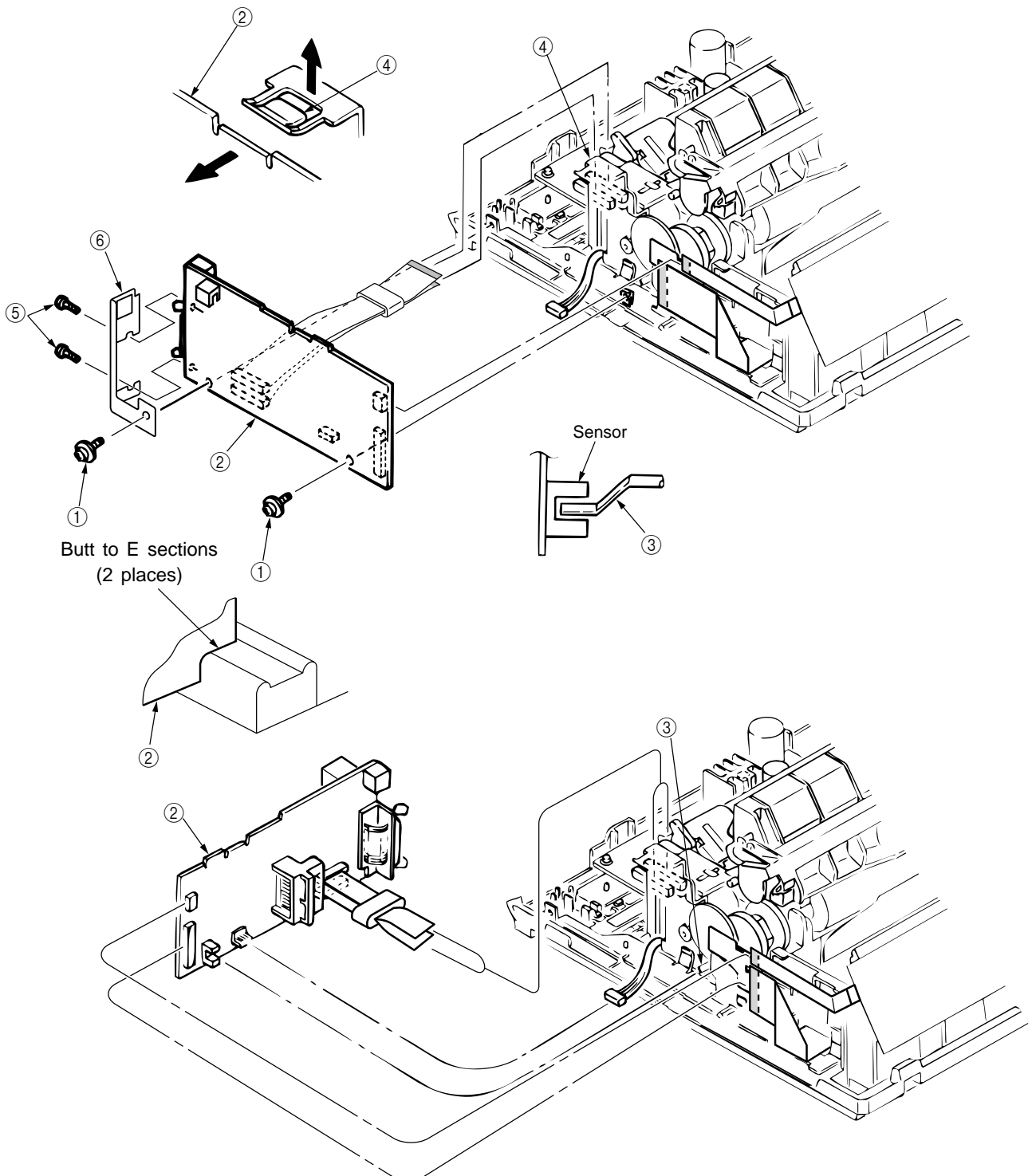


### 3.3.12 Driver Board (DVU)

- (1) Remove the upper cover (see 3.3.4 (1) – (5)).
- (2) Remove two screws ① and remove two screws ⑤, and release the driver board ② and Plate I/F ⑥ by lifting clamp ④.
- (3) Disconnect all cables from driver board ②.
- (4) To install, follow the removal steps in the reverse order.

Note on installation:

- (1) Insert one sensor lever ③ between sensor when installing the driver board ②.
- (2) Butt and attach the drive board ② to the E sections (2 places) of the convex of the main chassis.



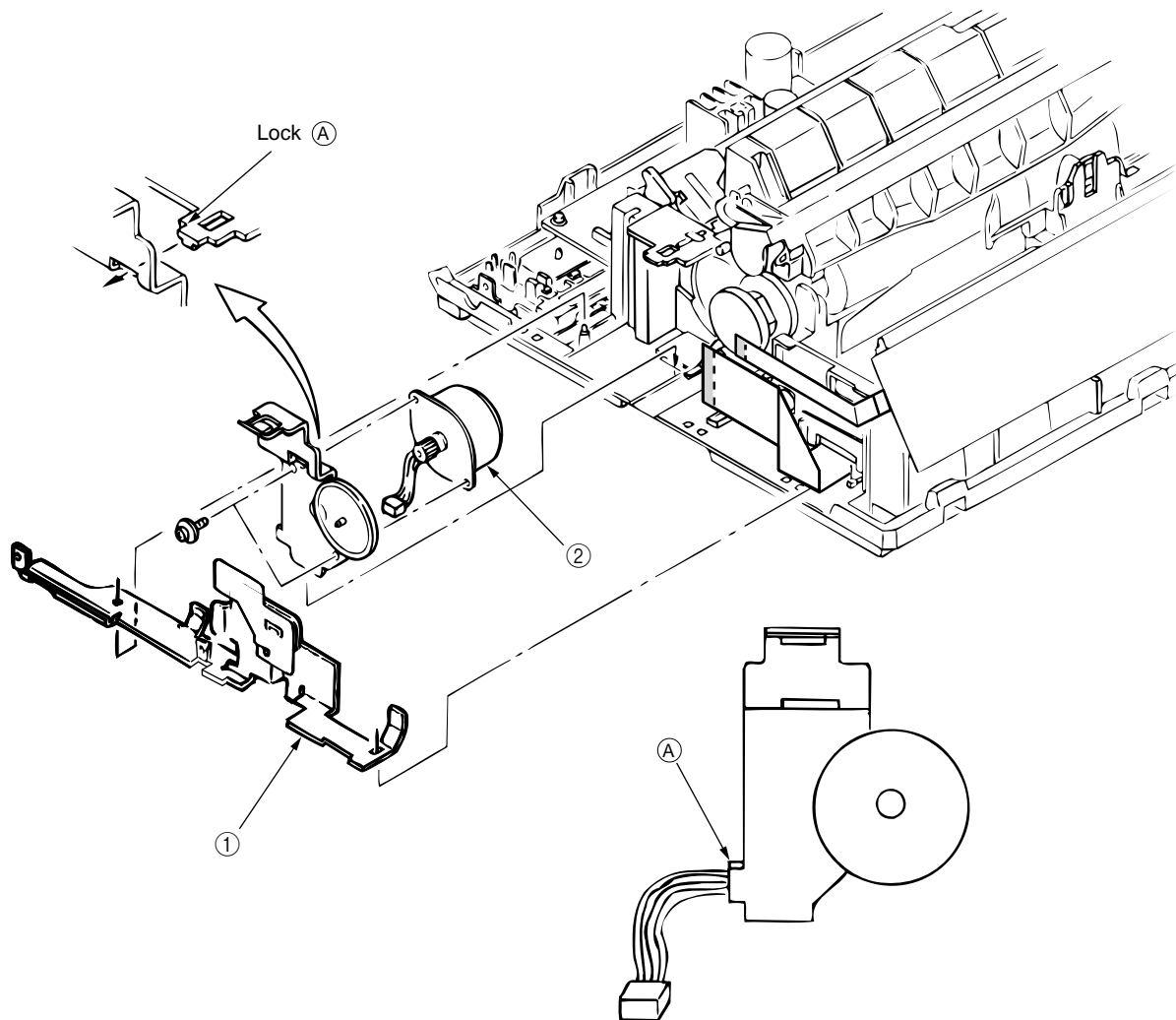


### 3.3.13 LF Motor

- (1) Remove the printhead (see 3.3.1).
- (2) Remove the ribbon protector (see 3.3.2).
- (3) Remove the pull-up roller Assy (see 3.3.3).
- (4) Remove the upper cover (see 3.3.4 (1) – (5)).
- (5) Remove the platen Assy (see 3.3.11).
- (6) Remove the driver board (see 3.3.12).
- (7) Remove the left FG plate ①.
- (8) Release the lock A to remove the LF motor ②.
- (9) To install, follow the removal steps in the reverse order.

Remark on assembly:

- (1) Press the LF Motor Cable with a portion ① of the Motor Plate.

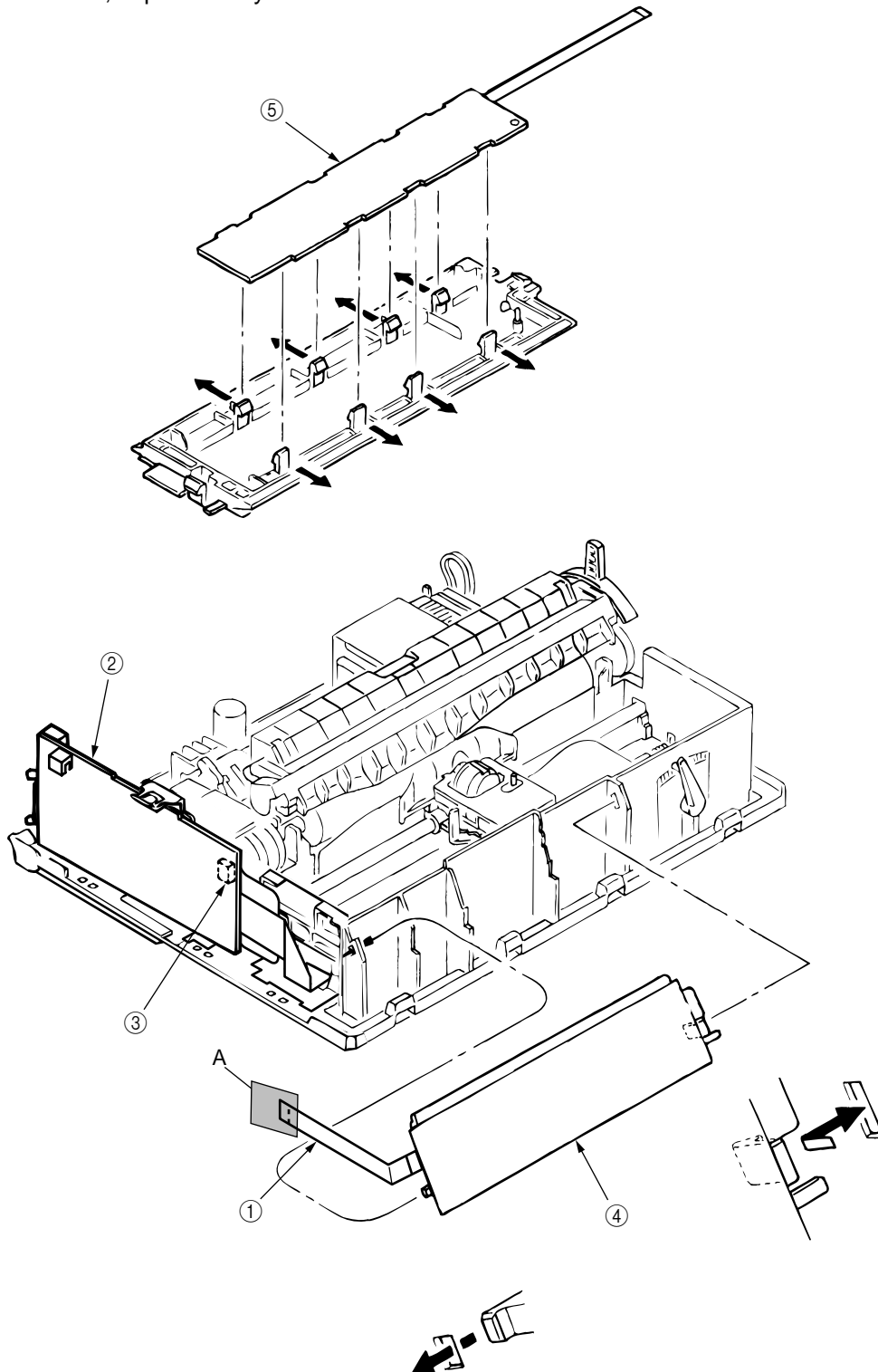


### 3.3.14 Operation Panel PCB (LEOP)

- (1) Remove the upper cover (see 3.3.4 (1) – (5)).
- (2) Disconnect the cable ① from connector ③ of Driver board ②.
- (3) Disengage claws on both sides from the frame, and remove the operation panel ④.
- (4) Open claws (8 places) and remove the operation panel PCB ⑤ from the operation panel ④.
- (5) To install, follow the removal steps in the reverse order.

#### Notes on installation

- (1) Make sure that there is not any dust or oil on the connector contact section A. If it is found, wipe it off by alcohol.



### 3.3.15 Control/Power Supply Board (AOU)

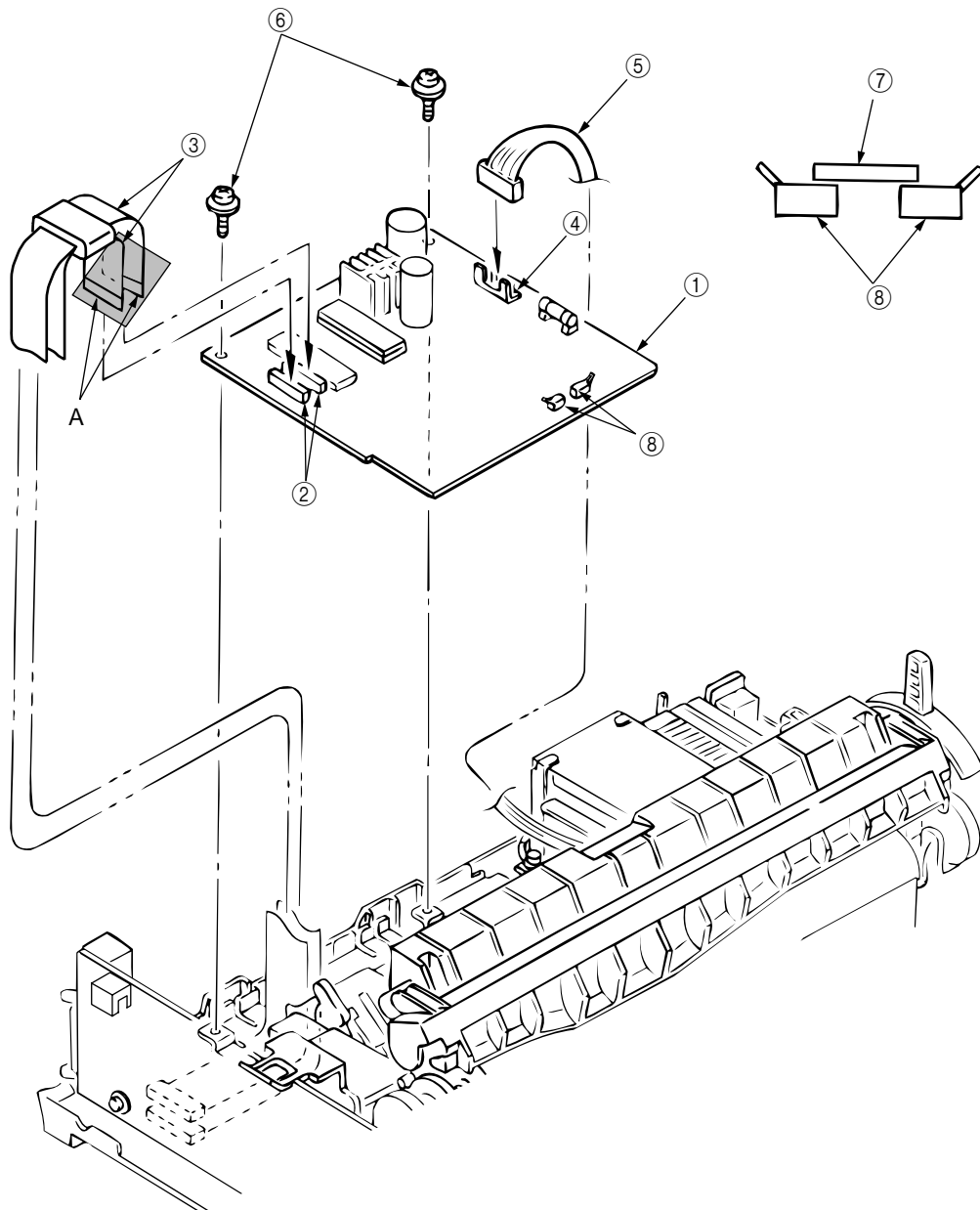
- (1) Remove the upper cover (see 3.3.4 (1) – (5)).
- (2) Disconnect two flexible cable ③ from the connector ② the Control/Power Supply Board ①.
- (3) Remove the cable ⑤ from the connector ④ on the Control/Power Supply board ①.
- (4) Remove two screws ⑥, and remove the Control/Power Supply Board ①.
- (5) To install, follow the removal steps in the reverse order.

Remark on assembly:

- (1) To mount the Control/Power Supply Board, set the change lever to the top position so that the Switch Lever ⑦ will not hooked on the microswitches ⑧.

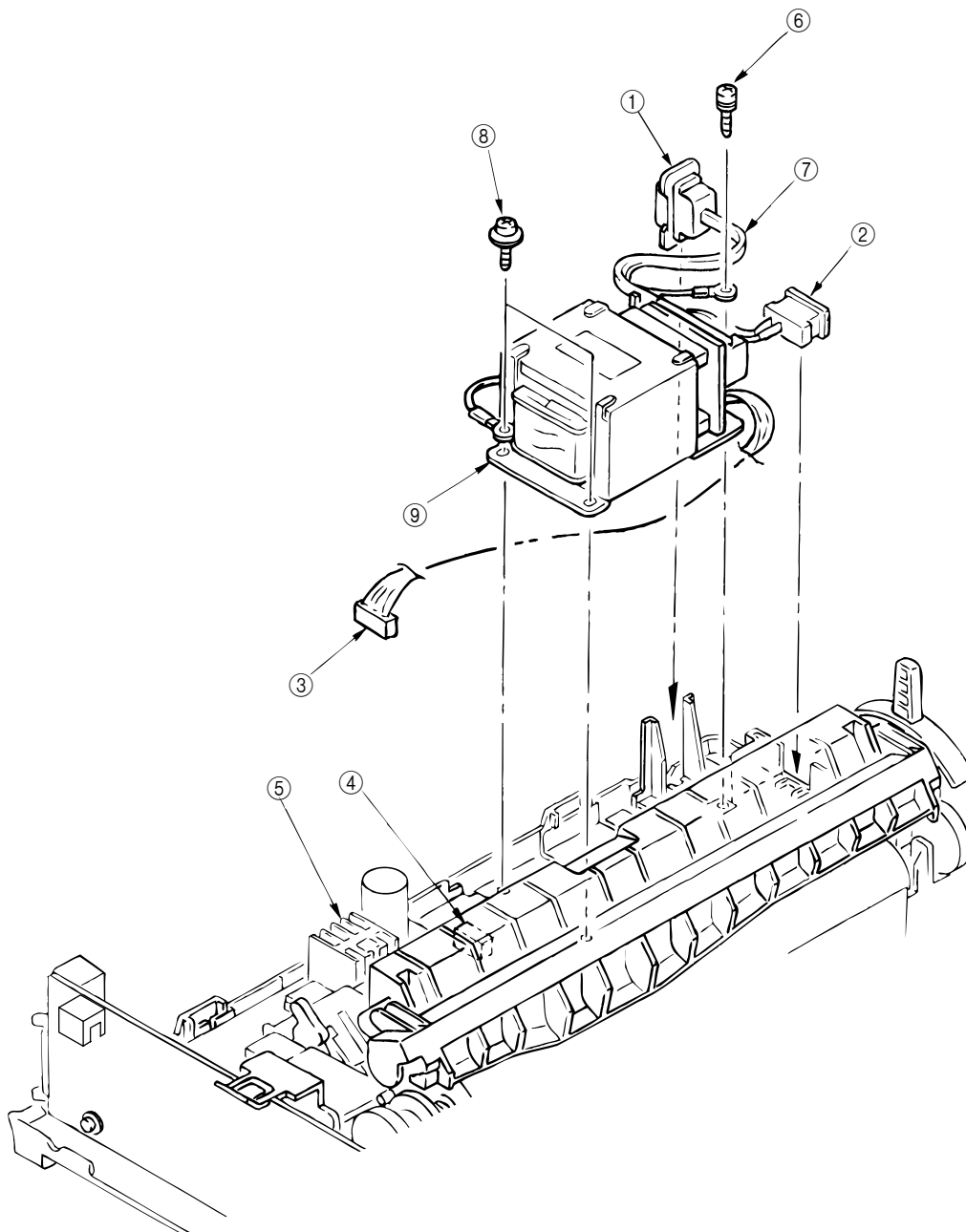
Notes on installation

- (1) Make sure that there is not any dust or oil on the connector contact section A. If it is found, wipe it off by alcohol.



### 3.3.16 Transformer Assy

- (1) Remove the upper cover (see 3.3.4 (1) – (5)).
- (2) Remove AC inlet ① and AC switch ② from the frame guide.
- (3) Disconnect the cable ③ from the connector ④ on the Control/Power Supply Board ⑤.
- (4) Remove a screw ⑥ and disconnect ground cable ⑦.
- (5) Remove two screws ⑧ and shift the transformer Assy ⑨ to the left and remove it.

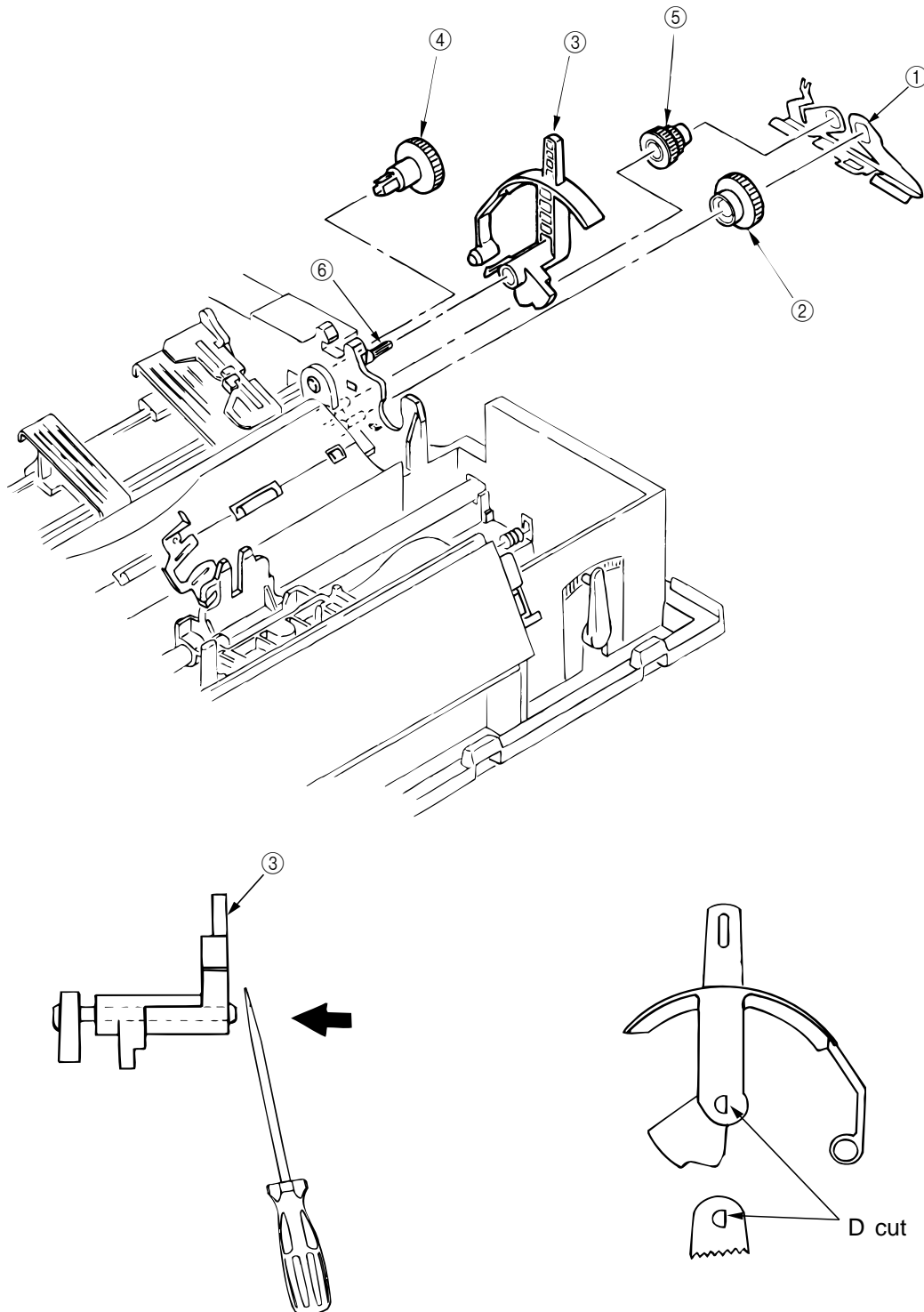


### 3.3.17 Change Lever and Gears

- (1) Remove the upper cover (see 3.3.4 (1) – (5)).
- (2) Remove the reset spring ①, then remove the idle gear ②, the tractor gear ④ and the change gear ⑤.
- (3) Push back the protrusion of the Change Gear Shaft ⑥ with a flatblade screw driver to remove the change lever ③.
- (4) To perform mounting, follow the reverse procedure of removal.

Remark on assembly:

- (1) To insert the change lever into the Change Gear Shaft ⑥, match the flat surface (D cut).

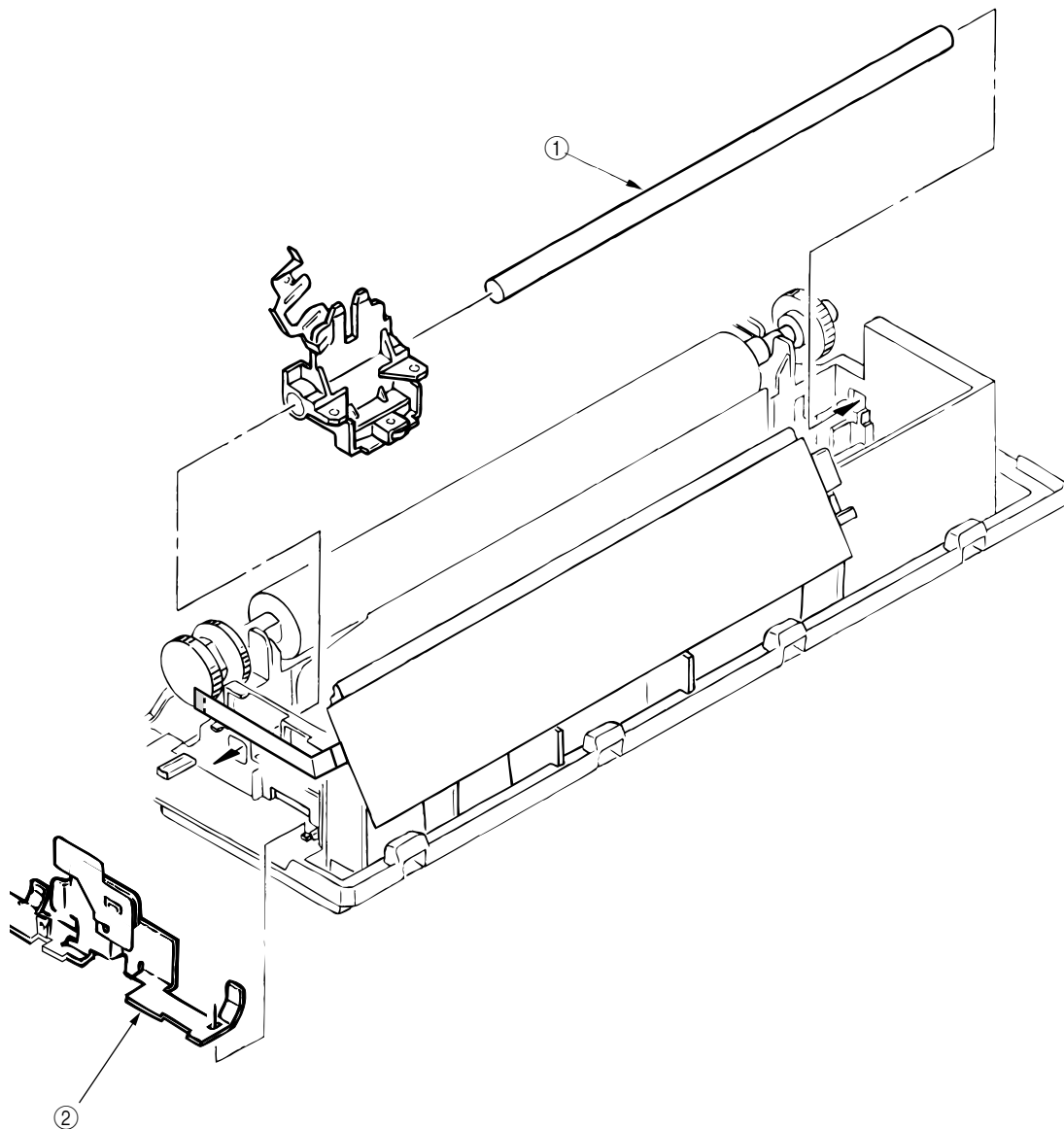


### 3.3.18 Carriage Shaft

- (1) Remove the printhead (see 3.3.1).
- (2) Remove the upper cover (see 3.3.4 (1) – (5)).
- (3) Remove the driver board (see 3.3.12).  
Remove the FG plate (L) ②.
- (4) Slide the carriage shaft ① to the left side (in the direction of the arrow) to remove.
- (5) To perform mounting, follow the reverse procedure of removal.

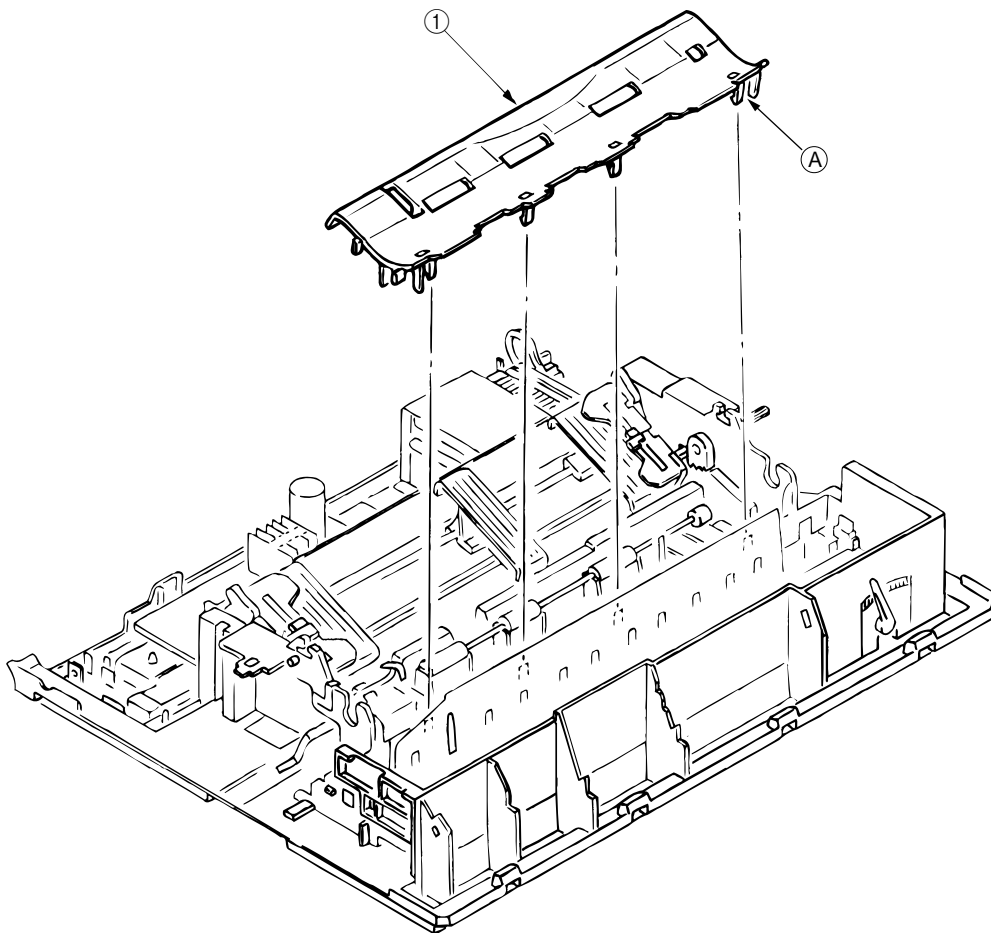
Note on installation:

- (1) After installation, check and adjust the gap between platen and printhead (see 4-1).



### 3.3.19 Paper Pan

- (1) Remove the printhead (see 3.3.1).
- (2) Remove the ribbon protector (see 3.3.2).
- (3) Remove the pull-up roller assy (see 3.3.2).
- (4) Remove the upper cover assy (see 3.3.4 (1) – (5)).
- (5) Remove the platen assy (see 3.3.11).
- (6) Release claws **A**.
- (7) Lift up the paper chute assy **1** and remove.
- (8) To perform mounting, follow the reverse procedure of removal.

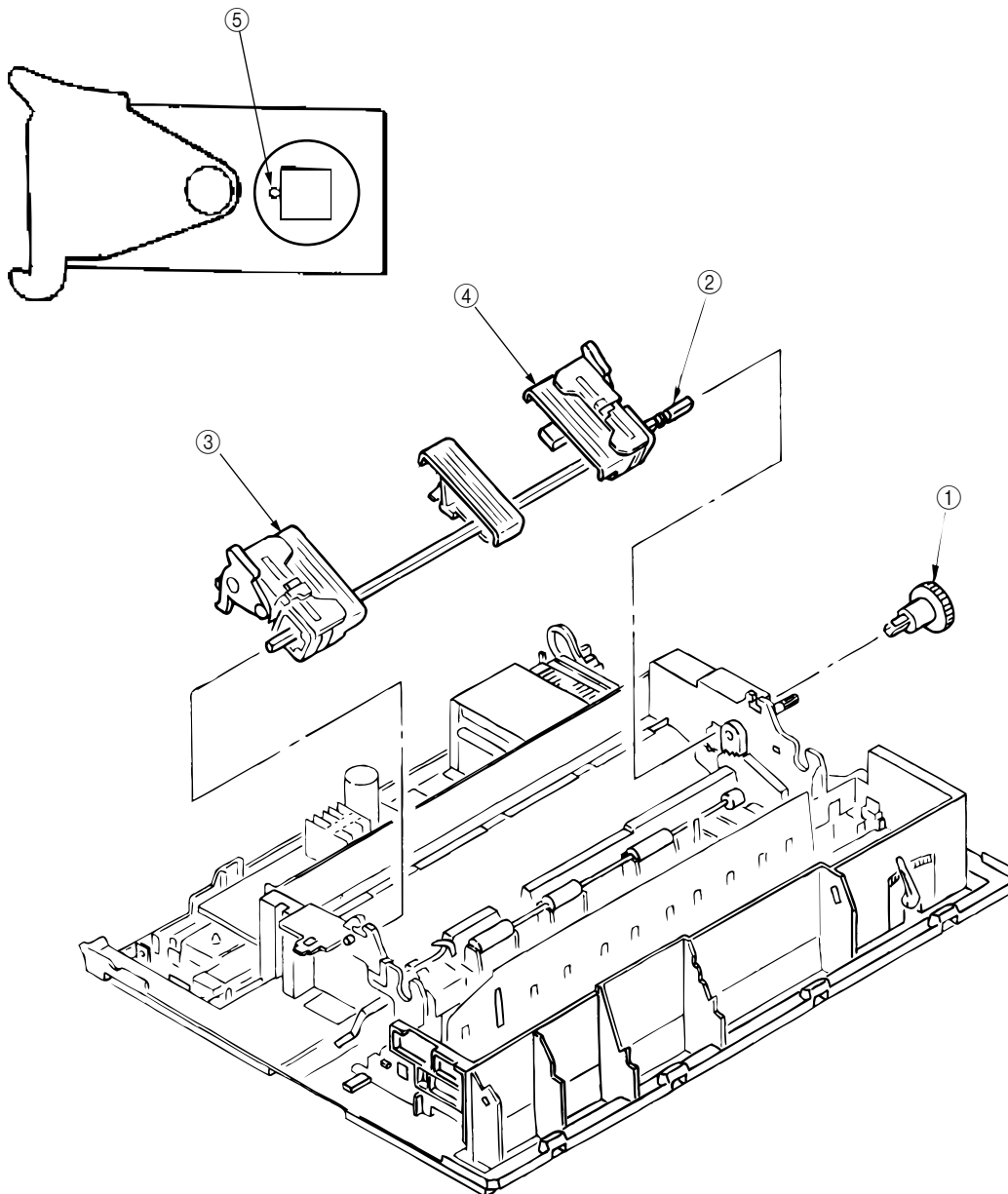


### 3.3.20 Rear Tractor Assy

- (1) Remove the printhead (see 3.3.1).
- (2) Remove the ribbon protector (see 3.3.2).
- (3) Remove the pull-up roller assy (see 3.3.3)
- (4) Remove the upper cover (see 3.3.4 (1) – (5)).
- (5) Remove the reset spring (see 3.3.17 (3))
- (6) Remove the tractor gear ①.
- (7) Shift the drive shaft ② to the right side to remove (in the direction of the arrow).
- (8) To perform mounting, follow the reverse procedure of removal.

Remark on assembly:

- (1) When the Tractor Assy (L) ③ (R) ④ have been detached from the Drive Shaft, align the protrusions ⑤ of the Pin Tractor Wheels to the same direction before assembly.





### 3.3.21 Rear Pressure Assy

- (1) Remove the upper cover (see 3.3.4 (1) – (5)).
- (2) Remove the change lever and gears (see 3.3.17).
- (3) Remove the paper pan (see 3.3.19).
- (4) Remove the rear pressure roller ①.
- (5) Rotate the release shaft ② and move it to the left to detach the release shaft ②.

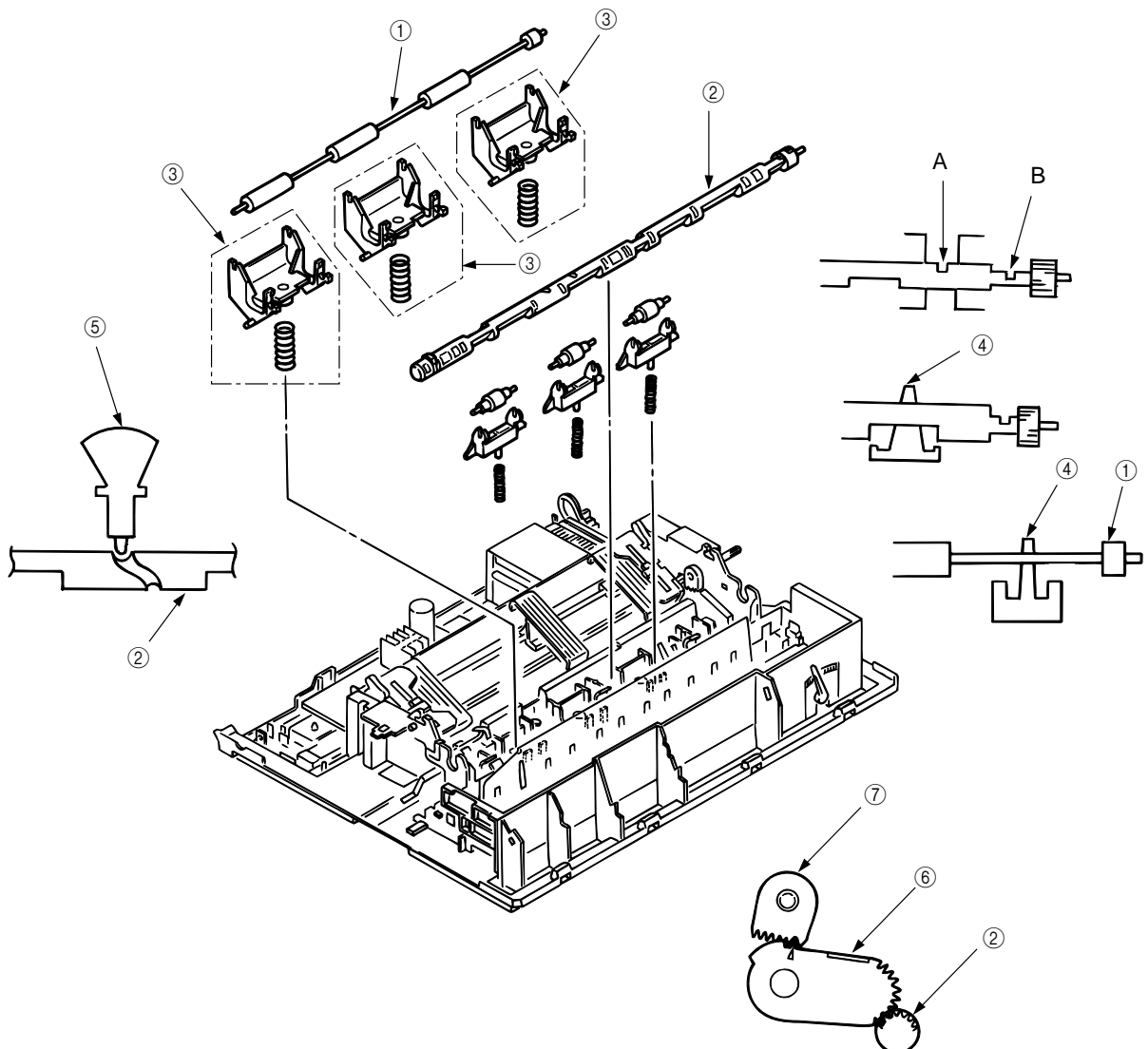
Match the Main Frame Rib A with the protrusion B of the Release Shaft.

- (6) Remove rear pressure SP assy ③.
- (7) To install, follow the removal step in the reverse order.

- Note:**
- (1) At mounting release shaft ②, pay attention to the gear engagement of release shaft ②, change arm lever ⑥, change gear shaft ⑦.
  - (2) There are 5 Rear pressure Spring Assemblies. Use two pieces which have larger spring diameter on the right side. Use three remaining pieces on the left side (for ML321 Turbo).
  - (3) Make sure that the Release Shaft ② will be on top of the Support spring ④.
  - (4) To assemble the Release Shaft ②, make sure that the protrusion of the switch lever ⑤ is in the U groove of the Release Shaft ②.

#### Note on installation

- (1) Install the support spring ④ below the rear pressure roller ①.

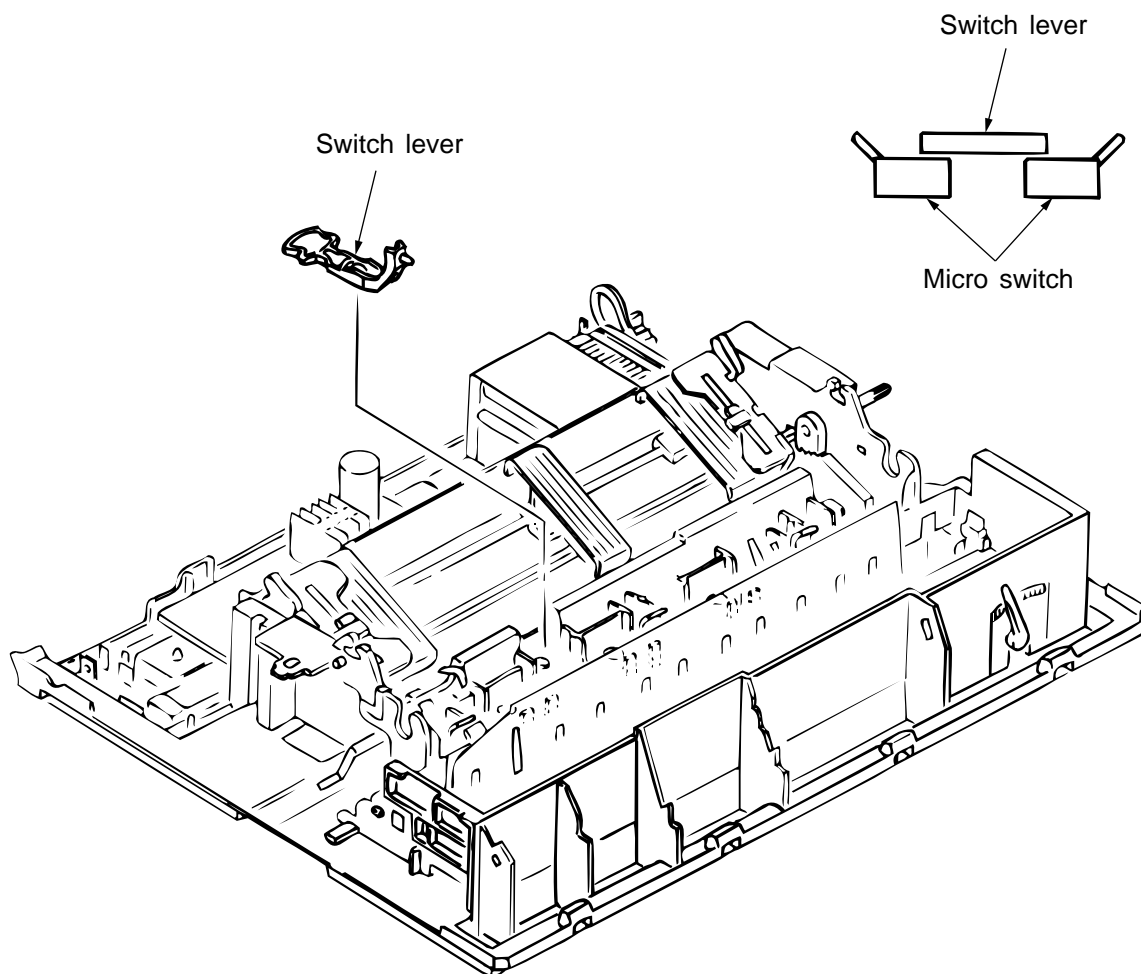


### 3.3.22 Switch Lever

- (1) Remove the upper cover (see 3.3.4 (1) – (5)).
- (2) Remove the change lever and gears (see 3.3.17).
- (3) Remove the paper pan (see 3.3.19).
- (4) Remove the rear pressure assy (see 3.3.21).
- (5) Pull the Switch Lever toward you and remove it upward.
- (6) To install, follow the removal step in the reverse order.

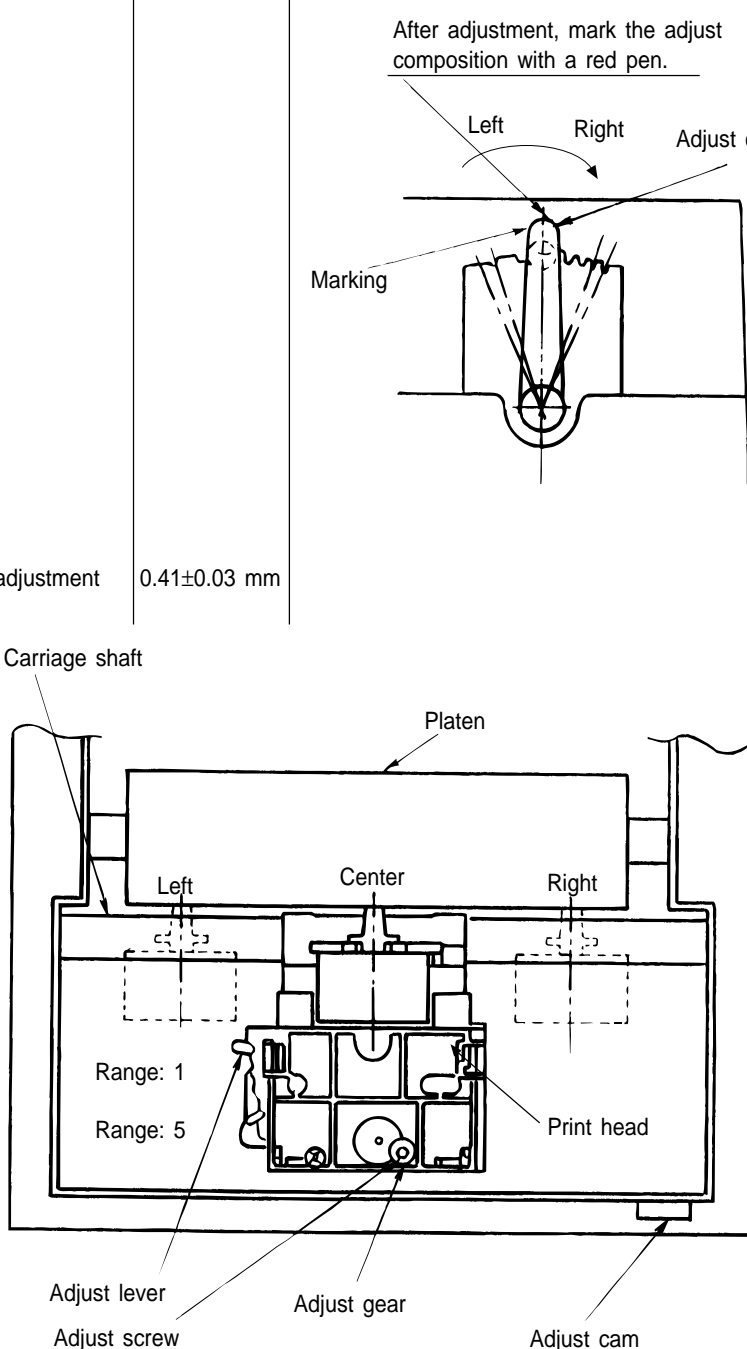
Remark on assembly:

- (1) At the time of the Switch Lever assembly, make sure that the Micro switch on the Main Board works properly.

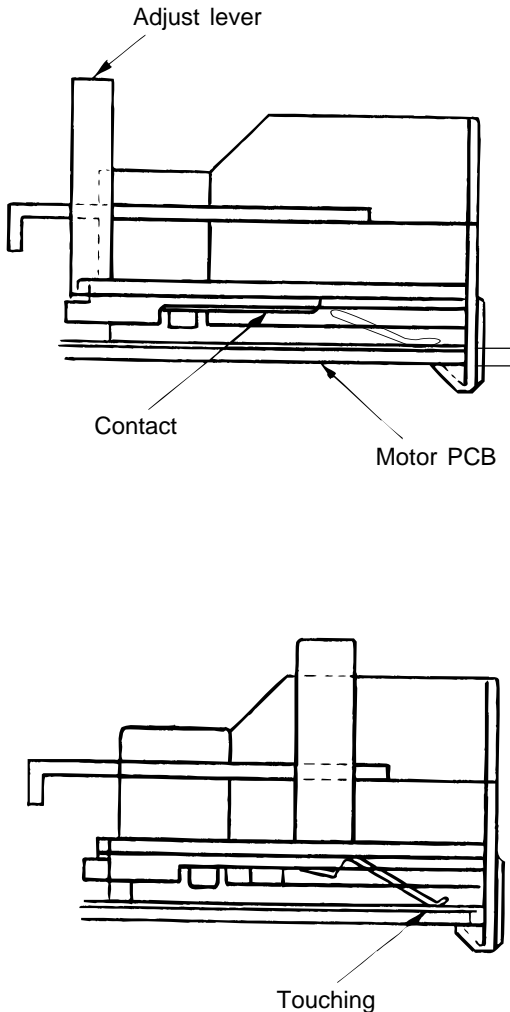


## **4. ADJUSTMENT**

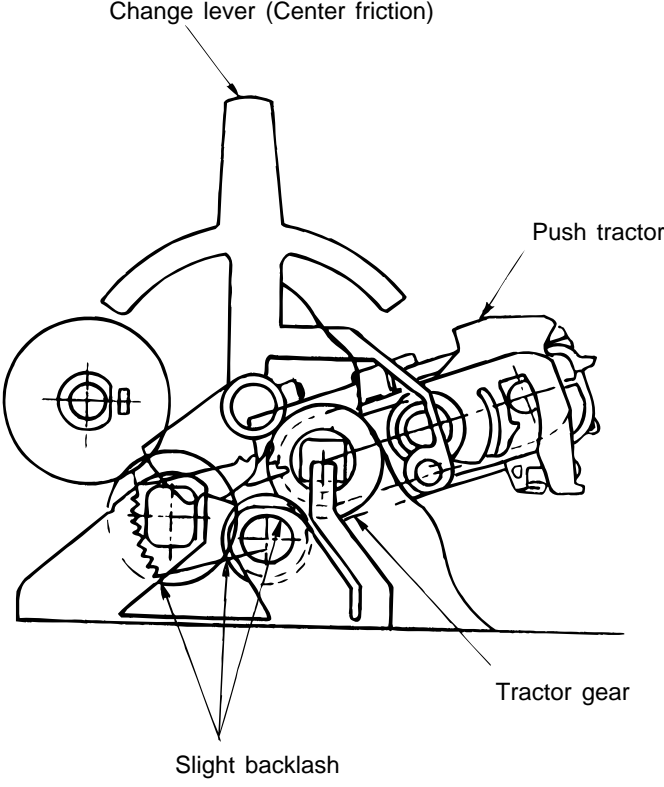
- (1) Be sure to carry out this adjustment with the printer mechanism mounted on the lower cover.
- (2) Be sure to carry out this adjustment operation on a level and highly rigid work table (flatness: less than 0.039 inch or 1 mm) so as to minimize adjustment error.

| No.   | Item   | Specification  | Drawing  | Adjustment method   |
|-------|--|--|--|---|
| 4-1-1 | <p>Gap between the platen and the print head</p> <p>1) Parallelism adjustment</p> <p>2) Initial adjustment</p> | <p>Variation of value at the left, the center and the right shall be less than 0.02 mm</p> <p>0.41±0.03 mm</p> | <p>After adjustment, mark the adjust composition with a red pen.</p>  | <p>It shall be measured at 3 points: the left end, the center and the right end of the platen.</p> <p>Adjustment method</p> <ol style="list-style-type: none"> <li>(1) Gap between the platen and the print head at the left end and the right end shall be adjusted by rotating the adjust cam.</li> <li>(2) Set the adjust lever at the Range: 1. Press the adjust gear downward (in direction A) to push the adjust gear and the adjust gear out of mesh.</li> <li>(3) Adjust the gap by rotating the adjust screw in direction B or C while the adjust lever and the adjust gear are disengaged.</li> <li>(4) After adjustment, mark the adjust cam position with a red pen.</li> </ol> |

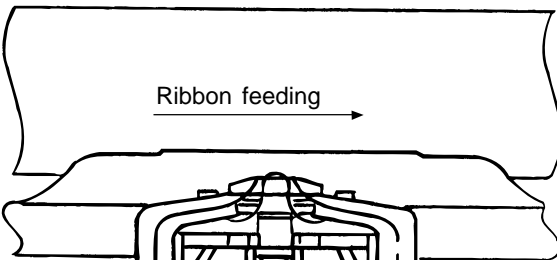
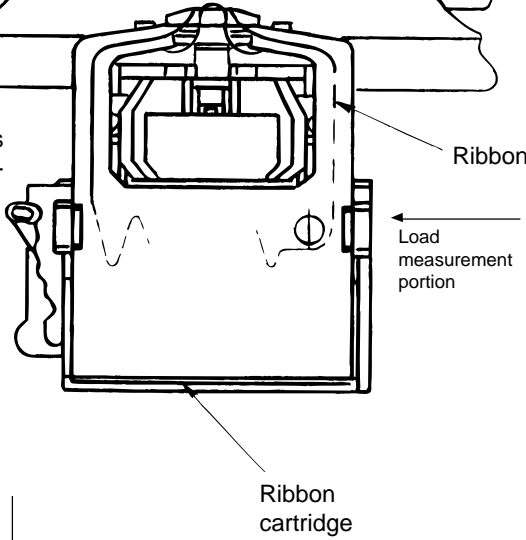
| No.   | Item  | Specification                    | Drawing | Adjustment method  |
|-------|---|----------------------------------|---------|--|
|       |   |                                  |         | <p>Note 1)<br/>The head gap shall be measured with the change lever set to rear position.</p> <p>Note 2)<br/>The head gap shall be measured positioning the platen gear (R) crawl on the top.</p> <p>Note 3)<br/>Move the adjust screw in clockwise direction (in direction B) to measure.</p> |
| 4-1-2 | Measure variation of gap when range is changed. | Gap = 0.71 ±0.05 at the range 5. |         |  |

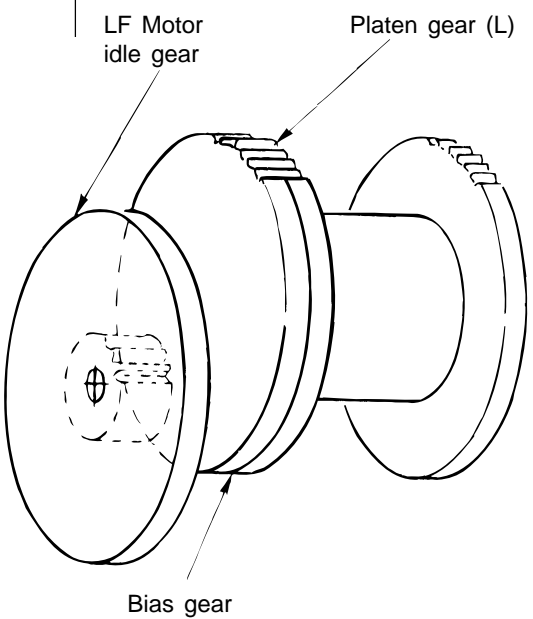
| No. | Item                                    | Specification | Drawing   | Adjustment method  |
|-----|---|---------------|---|--|
|     | Gap between the contact and the monitor | 0.3mm or more |  | <p>Confirm followings.</p> <p>Make sure that the gap between the contact and the motor PCB is 0.3 mm or more.</p> <p>At the time of printing test, make sure that the contact touches the motor PCB and it becomes reduced speed mode when the adjust lever is set to range 2 and 4.</p> |

| No. | Item   | Specification | Drawing | Adjustment method  |
|-----|--|---------------|---------|--|
| 4-2 | Gap between the platen and the paper pan       | 1±0.5         |         | <p>Confirm followings.</p> <p>(1) When the change lever is set at Friction position, the gap between the platen and the paper pan at the rear side shall be 1±0.5mm.</p> <p>(2) When the change lever is set at Rear or Bottom position, the gap between the platen and the paper pan at the front side shall be 1±0.5 mm.</p>                                     |
| 4-3 | Gap between the platen and the pressure roller |               |         | <p>Confirm followings.</p> <p>(1) When the change lever is set at Friction position, all the pressure rollers shall be pressed to the platen.</p> <p>(2) When the change lever is set at Rear or Bottom position, the gap between the platen and the pressure roller at the rear side shall be 3mm. The front pressure rollers shall be pressed to the platen.</p> |

| No.   | Item                         | Specification           | Drawing   | Adjustment method  |
|-------|------------------------------|-------------------------|---|--|
| 4-4-1 | Rotation of the push tractor |                         |  | <p>To confirm:</p> <p>The tractor gear shall rotate smoothly when the change lever is set at Friction position.</p>                      |
| 4-4-2 | Backlash between gears       | Approx. 0.05 to 0.11 mm |   | <p>To confirm:</p> <p>There shall be slight backlash between gears to allow smooth rotation of gears.<br/>(Backlash 0.05 to 0.11 mm)</p> |



| No.   | Item                              | Specification                           | Drawing   | Adjustment method   |
|-------|-----------------------------------|---|---|---|
| 4-5-1 | Ribbon feed                       |   |   | <p>To confirm:<br/>Ribbon shall be fed smoothly when the carriage is moved from side to side.</p> |
| 4-5-2 | Running load to spacing mechanism | 250g or less without a ribbon cartridge |  | <p>To confirm:<br/>Make sure that the power is turned off at the time of measurement.</p>         |

| No. | Item   | Specification | Drawing  | Adjustment method   |
|-----|--|---------------|--|---|
| 4-6 | Engagement of the double gear and the LF motor idle gear of the Platen Assy. |               |  | <p>To confirm:</p> <p>The idle gear of the LF motor and the platen gear (L) and the bias gear of the platen shall be in mesh in such way that the platen gear (L) and the bias gear rotate against each other to pinch the teeth of idle gear.</p> <p>The idle gear stays in mesh with the platen gear (L) and the bias gear and not locked. The bias gear and the platen gear shall be staggered by one teeth as shown in the drawing.</p> |

## 5. CLEANING AND LUBRICATION

### 5.1 Cleaning

[Cautions]

1. Be sure to turn OFF the AC POWER switch before cleaning. Remove the AC power cord from the printer.
2. Avoid dust inside the printer mechanism when cleaning.
3. If a lubricated part has been cleaned, be sure to apply lubricating oil to that portion after cleaning.

(1) Cleaning time

When the equipment operating time has reached six months or 300 hours, whichever comes first.

(2) Cleaning tools

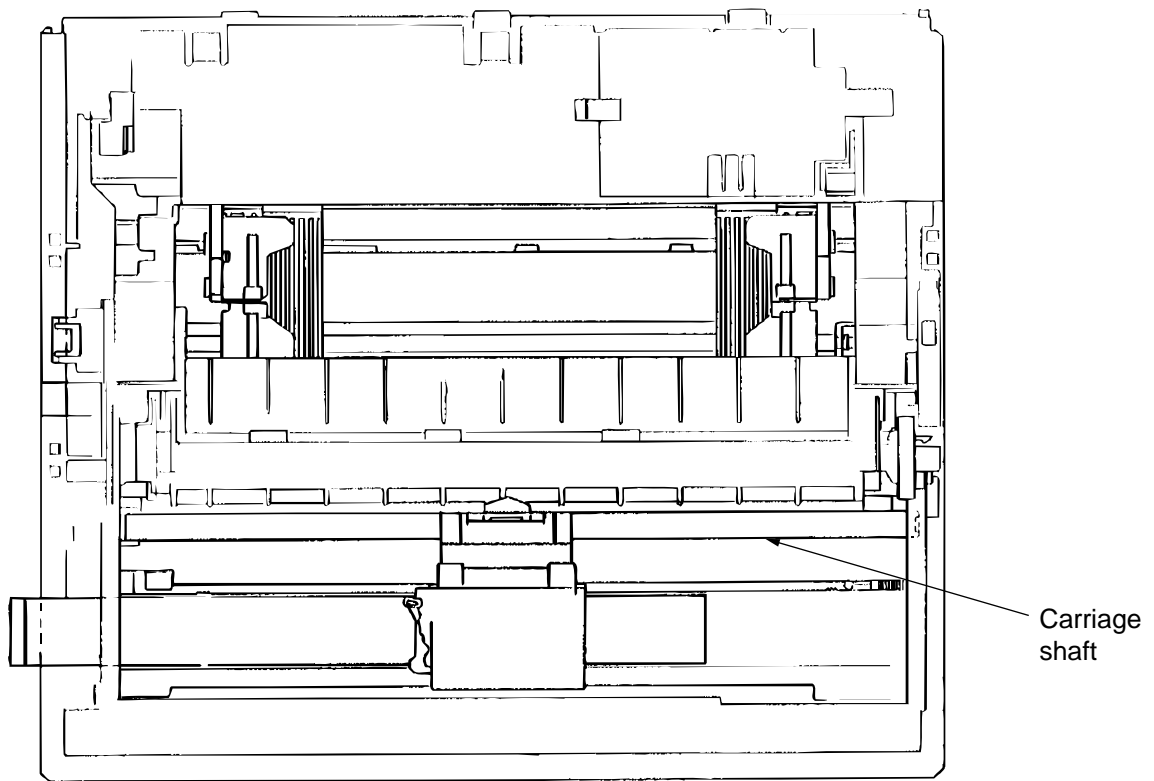
Dry cloth (soft cloth such as gauze), vacuum cleaner

(3) Places to be cleaned

Table 5.1 lists the places to be cleaned:

**Table 5.1**

| Place to be cleaned                                     | Cleaning procedure  |
|---|---|
| Carriage shaft and the vicinity<br>Paper travel surface | Remove paper waste and wipe off stain, dust, ribbon waste. etc. |



## 5.2 Lubrication

This printer is designed to be maintenance free and requires no lubrication during normal operation. However it is necessary to apply lubricant in case the printer is disassembled, reassembled, cleaned or parts have been changed.

### (1) Cleaning time


Remarks:


- 1) Turn off the power before cleaning.
- 2) Make sure that paper dust will not fall inside of the machine.

- Cleaning period:

6 months of operation or 300 hours of operation, whichever the earlier.

- Cleaning points:

Carriage shaft and surroundings:  Remove paper and ribbon dust.

Paper path:  Clean stains and dusts.

Paper End Sensor  Remove the dust on the Sensor.

### (2) Lubricant

- Pan motor oil (or equivalent): PM
- Molicort (or equivalent): EM-30L

### (3) Amount of lubricant

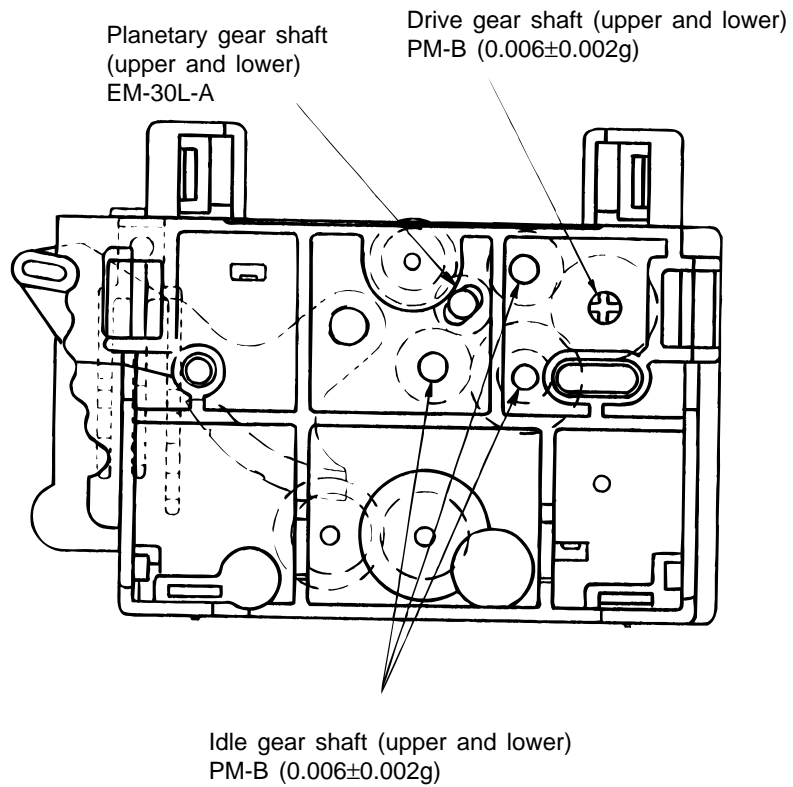
- Medium amount A : Apply three to four drops of oil, or 0.008 inch (0.2 mm) thick grease.
- Small amount B : Apply one drop of oil (0.006±0.002 g)

### (4) Areas to Avoid

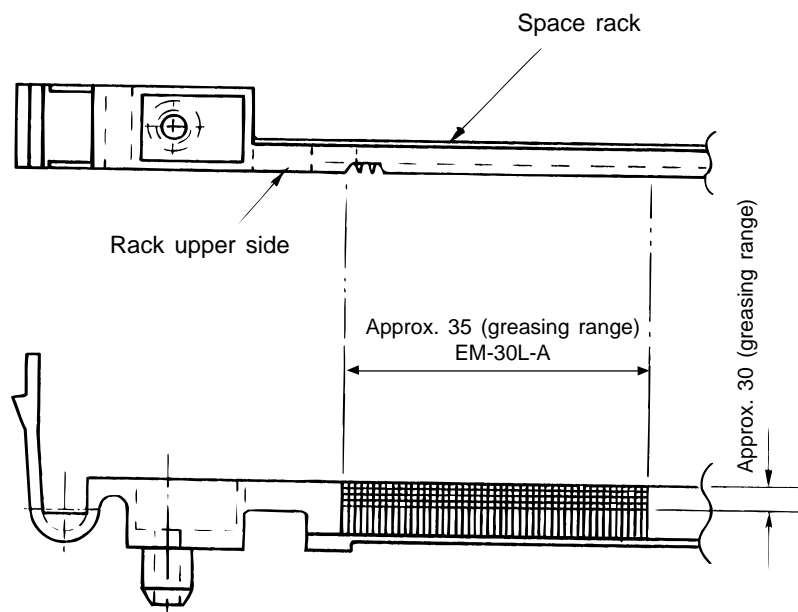
| No. | Do not lubricate              | Reason   | Remarks  |
|-----|-------------------------------|--|--|
| 1   | Platen assembly (rubber face) | To prevent stained paper and illegal paper feed. | Pay attention not to put the grease on the rubber face of the pressure roller. |
| 2   | Pressure roller (rubber face) | To prevent stained paper                         |  |
| 3   | Carriage shaft                | To stabilize carriage traveling load             |  |
| 4   | Ink ribbon image              | To prevent blurring of print                     |  |
| 5   | Pin tractor                   | To prevent stained paper                         |  |
| 6   | Flexible cable and crack      | To prevent loose connection                      |  |
| 7   | Motor PCB                     | To prevent loose connection                      |  |
| 8   | Connector terminals           | To prevent loose connection                      |  |

(5) Lubrication point

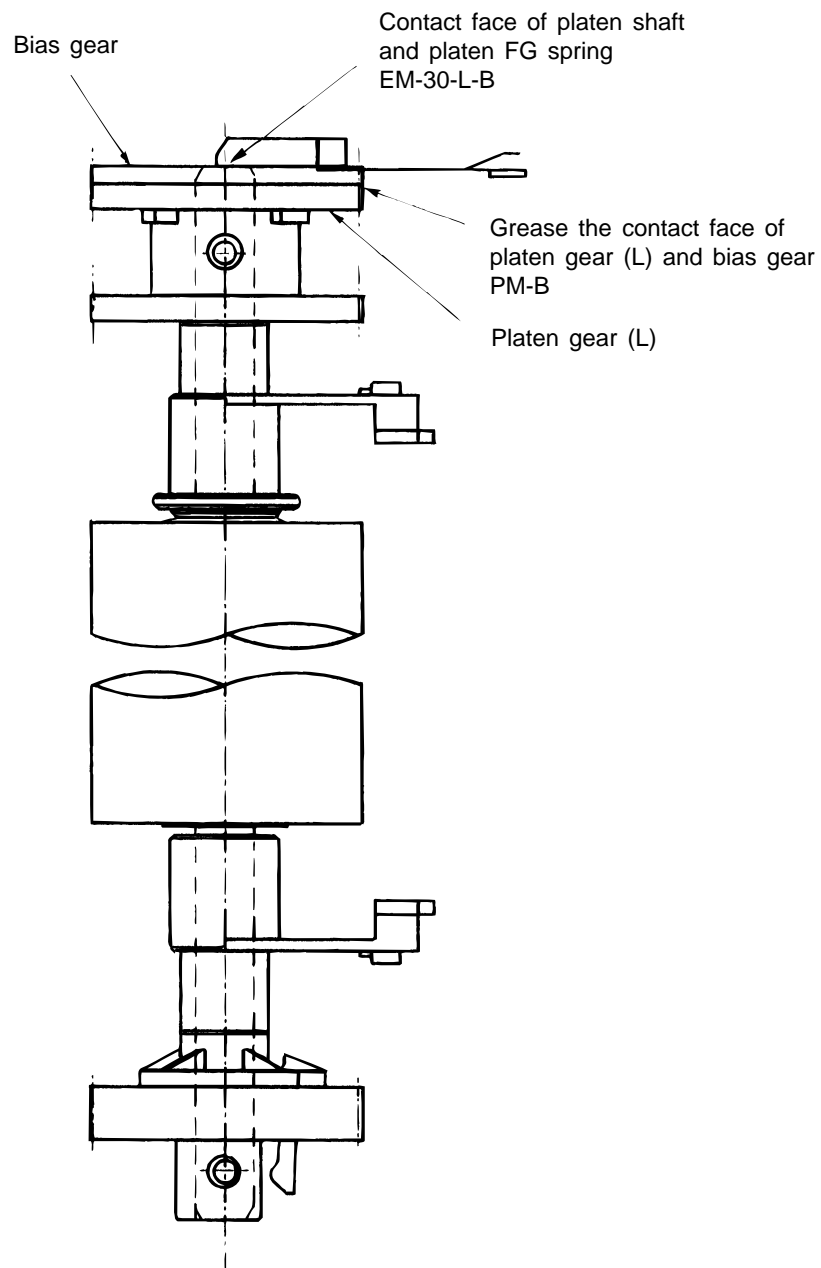
1. Ribbon feed gear Assy.



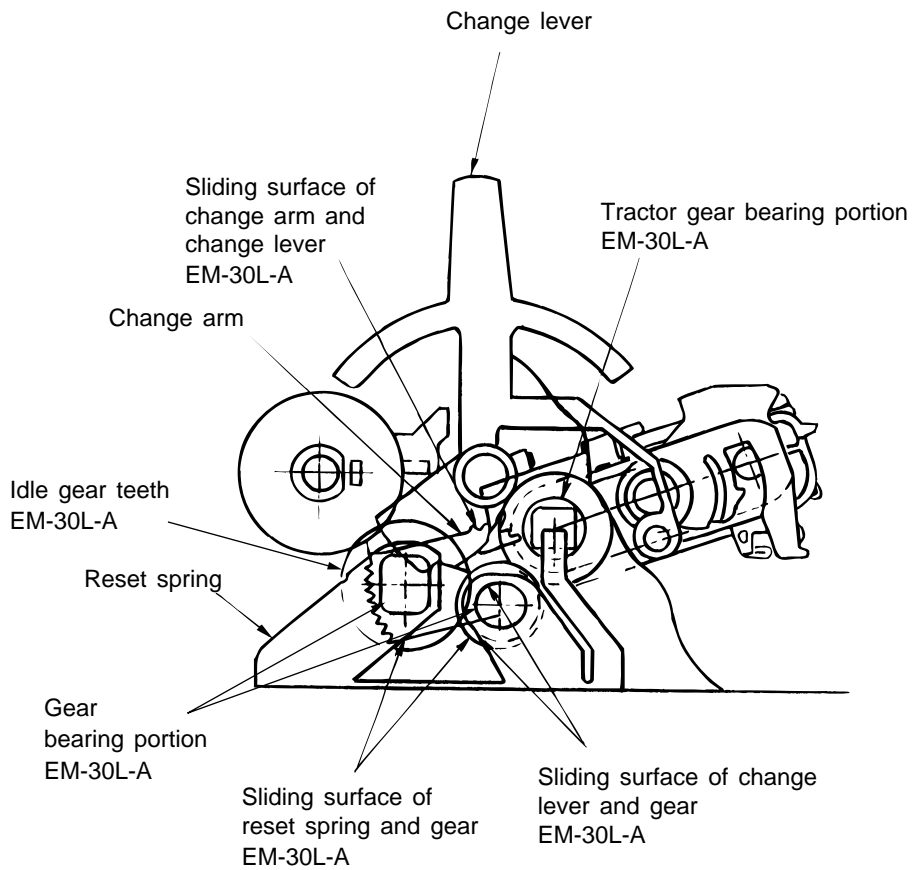
2. Space rack



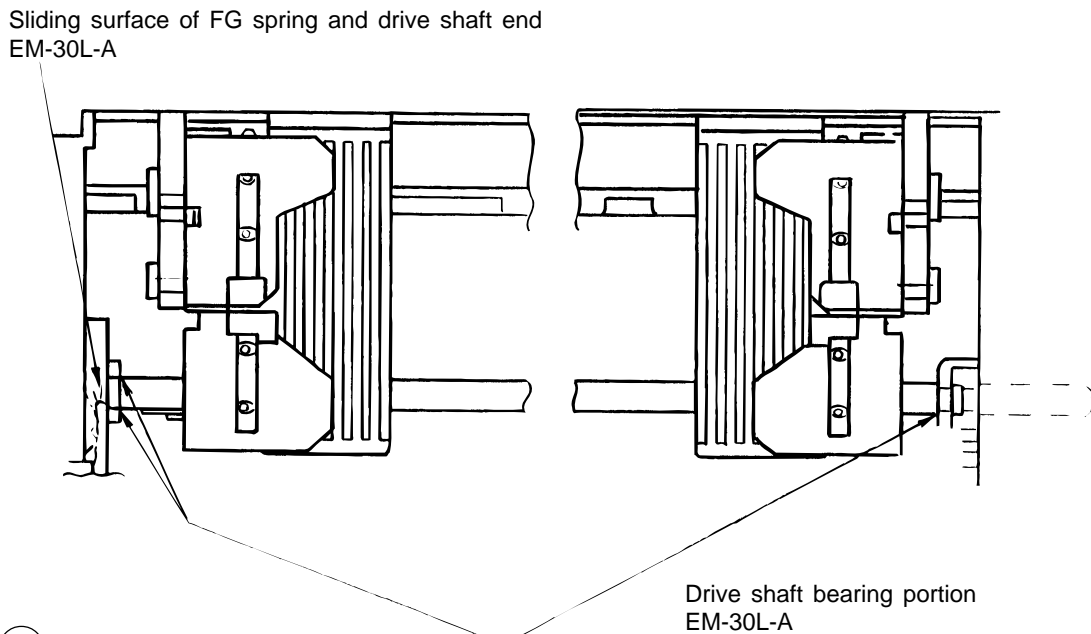
3. Platen Assy.



4. Tractor driving mechanism



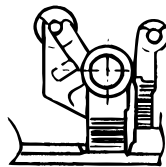
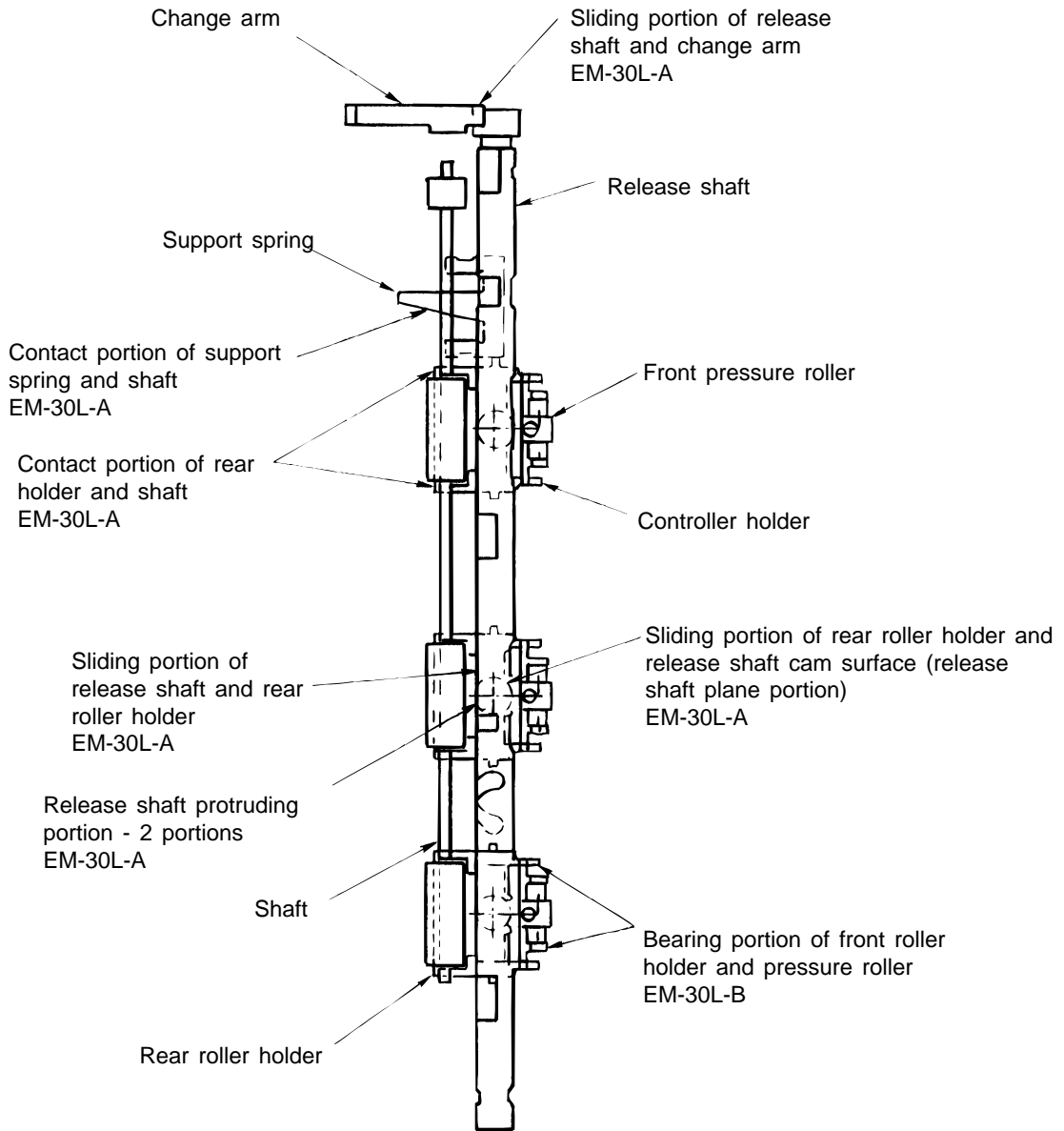
5. Tractor drive shaft



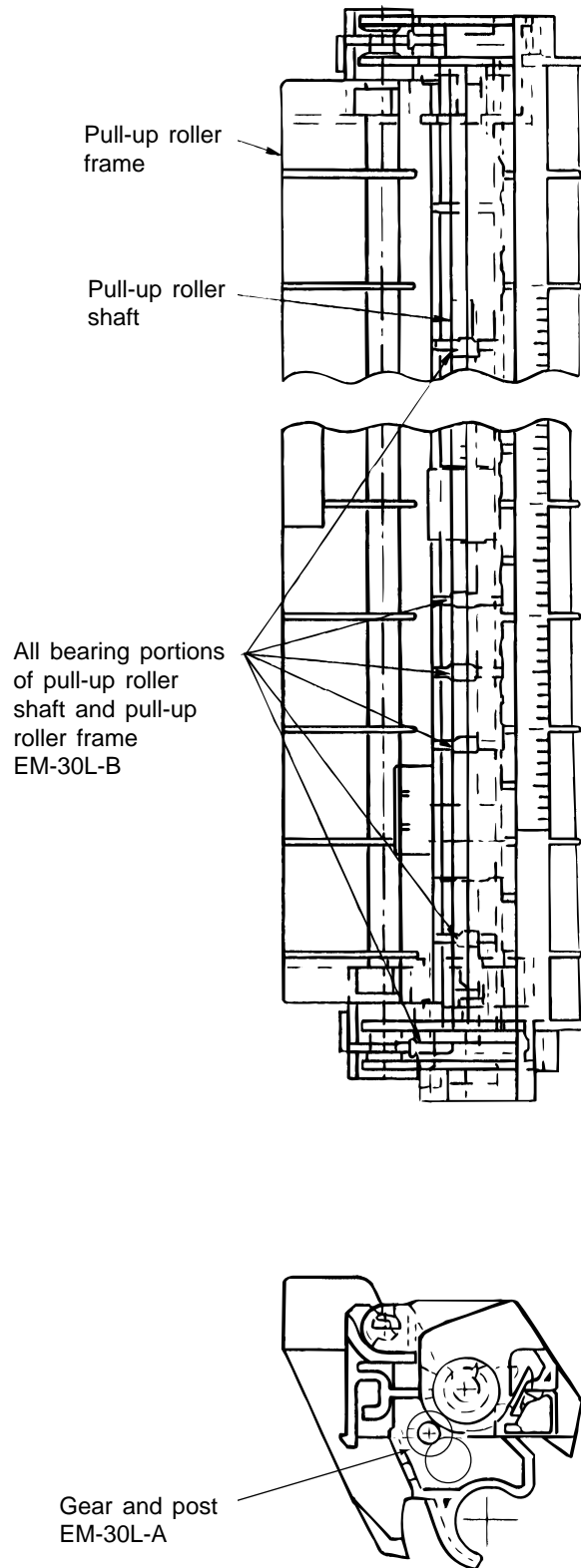
A-A Arrow view



6. Pressure roller



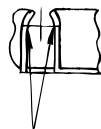
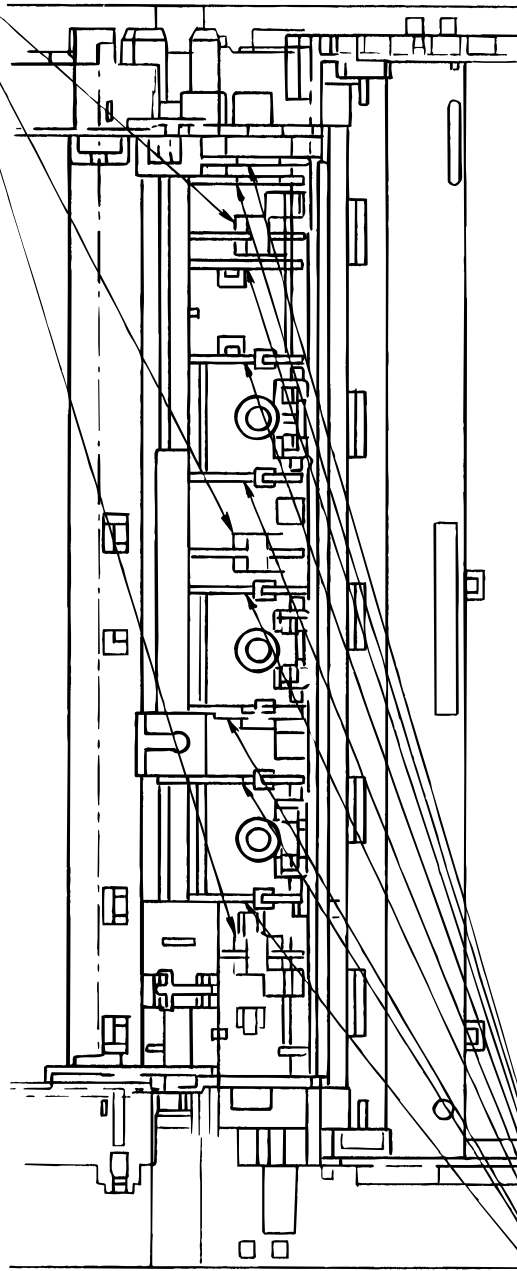
7. Pull up roller Assy.



8. Main chassis Assy.

Grease portion (N: 3 portions, W: 5 portions) rear side  
EM-30L-A

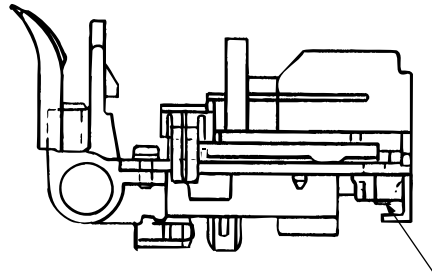
| Models |             |
|--------|-------------|
| N      | ML320 Turbo |
| W      | ML321 Turbo |



Grease portion

Grease portion at rib  
(N: 9 portions W: 13 portions)  
EM-30L-A

9. Carriage Assy.



NK2-10-SUS Bearing portion  
of guide roller  
EM-30L-B

## 6. TROUBLESHOOTING AND REPAIR

### 6.1 Items to Check Before Repair

- (1) Check the inspection items specified in the instruction manual.
- (2) Find out as many details of the trouble as possible from the customer.
- (3) Inspect in the conditions as close as possible to those at the time the trouble occurred.
- (4) Proceed with the repair as follows:  
 Check the trouble status according to Table 6.1 for the details of the trouble. Then, locate the trouble position according to the detailed flowchart.
- (5) Carry out a thorough test after the repair to check for correct functioning.

### 6.2 Troubleshooting Table

**Table 6.1**

| Status                  | Trouble Contents                           | Troubleshooting Flowchart No. | Surmise of Trouble   |
|-------------------------|--|-------------------------------|--|
| Trouble upon power on   | • Power is not supplied.                   | ①                             | Control/Power Supply Board, Driver Board, Transformer Assy.                              |
|                         | • No spacing operation                     | ②                             | Space Motor, Carriage Cable, Printhead.  |
|                         | • Homing does not end normally.            | ③                             | Space Motor, Carriage Cable, Control/Power Supply Board, Driver Board, Spacing Mechanism |
| Trouble during printing | • Paper jam while paper insertion          | ④                             | Pressure Roller Mechanism, Pull Up Roller Cover.   |
|                         | • Smearing/Missing dots                    | ⑤                             | Printhead, Driver Board, Space Motor, Carriage Cable                                     |
|                         | • Faint or dark print                      | ⑥                             | Printhead, Ribbon Feed Assembly, Driver Board  |
|                         | • Ribbon feed trouble                      | ⑦                             | Ribbon Feed Assembly, Space Motor, Driver Board  |
|                         | • Line feed trouble                        | ⑧                             | LF Motor, Platen Assy, LF Mechanism, Driver Board  |
|                         | • Malfunction of switch on operation panel | ⑨                             | Operation Panel, Driver Board  |
|                         | • Data receiving failure                   | ⑩                             | Driver Board, (I/F Board), I/F Cable, Menu Setting                                       |

## 6.3 Lamp Display

### (1) Printer mode display

**Table 6.2**

| ALARM CATEGORY | ALARM                     | LED CONDITION |     |         |               |         | CONTENTS   | TROUBLE SHOOTING  |
|----------------|---------------------------|---------------|-----|---------|---------------|---------|--|---|
|                |                           | ALARM         | SEL | MENU    | 10CPI         | 15CPI   |  |   |
| OPERATOR ALARM | Paper end alarm           | ON            | OFF |         |               |         | From, cut sheet or bottom paper end  | Set New paper.  |
|                | Paper change lever alarm  | ON            | OFF |         | BLINK 1       | OFF     | Change lever is set to TOP position while paper is already inserted from rear or bottom.                                       | <ul style="list-style-type: none"> <li>Set the lever to specified position.</li> <li>Check rear sensor lever.</li> <li>Replace Control Board</li> </ul> |
|                | Paper jam alarm           | ON            | OFF |         | OFF           | BLINK 1 | <ul style="list-style-type: none"> <li>Cut sheet could not be ejected.</li> <li>Cut sheet could not be fed properly</li> </ul> | <ul style="list-style-type: none"> <li>Remove the paper or check feed Mechanism</li> <li>Press SEL key.</li> </ul>                                      |
|                | Print Head thermal alarm  | OFF           |     | BLINK 1 |               |         | Print head temperature exceeds 119°C   | <ul style="list-style-type: none"> <li>Wait until it is cooled.</li> <li>Replace P.H. or Driver Board</li> </ul>  |
|                | Space motor thermal alarm | OFF           |     | BLINK 1 |               |         | Temperature of space motor exceeds specified value.  | <ul style="list-style-type: none"> <li>It is recovered automatically</li> <li>Replace SP motor or Driver Board</li> </ul>                               |
| FATAL ALARM    |                           | BLINK 2       | OFF | OFF     | See Table 6.3 |         | Hardware Alarm has occurred.   | See Table 6.3.  |

**Note:**

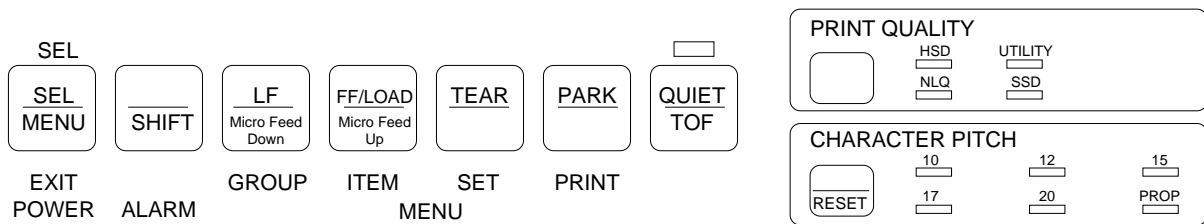
BLINK1 : 400ms ON, 400ms OFF

BLINK2 : 200ms ON, 200ms OFF

— : LED is kept in Current Condition (no change)

### (2) Fault alarm display

When the printer detects any of the various alarm states, the information is displayed as shown below on the operation panel. The alarm is specified by lamp combination of PRINT QUALITY and CHARACTER PITCH. (See Table 6.3 for details.)



**Figure 6-1**

(3) Fatal Alarm

Table 6.3 (1/2)

| ALARM CATEGORY           | ALARM                         | LED DISPLAY |    |    |    |    |    |      |     |     |     | REMARKS | TROUBLESHOOTING |   |   |
|--------------------------|-------------------------------|-------------|----|----|----|----|----|------|-----|-----|-----|---------|-----------------|---|---|
|                          |                               | ALARM       | 10 | 12 | 15 | 17 | 20 | PROP | HSD | UTL | NLQ |         |                 |   |   |
| MAIN CONTROL ALARM       | MPU internal RAM alarm        | ⊙           | ○  |    |    |    |    |      |     |     |     |         |                 | Read/write error                              | Replace Control/Power Supply Board                              |
|                          | Program ROM alarm             | ⊙           |    | ○  |    |    |    |      |     |     |     |         |                 | Check sum error                               | Replace ROM or Control/Power Supply Board                       |
|                          | RAM on Control Board alarm    | ⊙           |    |    |    |    | ○  |      |     |     |     |         |                 | Read/write error                              | Replace Control/Power Supply Board                              |
|                          | EEPROM alarm                  | ⊙           |    | ○  |    |    |    |      |     |     |     | ○       |                 | No reaction when MPU reads data               | Replace Control/Power Supply Board                              |
| FIRMWARE DETECTION ALARM | WDT (Watch Dog Timeout) alarm | ⊙           |    |    |    | ○  |    |      |     |     |     |         |                 | MPU is locked up and it ios reset after 65ms. | Turn the power OFF and ON or replace Control/Power Supply Board |
|                          | NMI signal alarm              | ⊙           |    |    |    | ○  |    |      |     |     |     | ○       |                 | NMI port of MPU is kept low level.            | Turn the power OFF and ON or replace Control/Power Supply Board |
|                          | BRK instruction alarm         | ⊙           |    |    |    | ○  |    |      |     |     |     |         | ○               | FFFF data is detected due to MPU locked up.   | Replace ROM or Control/Power Supply Board                       |
| SERIAL INTERFACE ALARM   | MPU internal RAM alarm        | ⊙           | ○  |    |    |    |    |      |     |     |     | ○       |                 | Read/write error                              | Replace I/F Board   |
|                          | ROM alarm                     | ⊙           |    | ○  |    |    |    |      |     |     |     | ○       |                 | Check sum error                               | Replace ROM on I/F board or I/F Board                           |
|                          | RAM on I/F board alarm        | ⊙           |    |    |    |    | ○  |      |     |     |     | ○       |                 | Read/write error                              | Replace I/F Board   |
|                          | I/F not mounted               | ⊙           |    | ○  |    |    |    |      |     |     |     | ○       |                 | No reaction from serial I/F board             | Replace I/F Board or Control Board.                             |

⊙ : LED Blink (200ms ON, 200ms OFF)

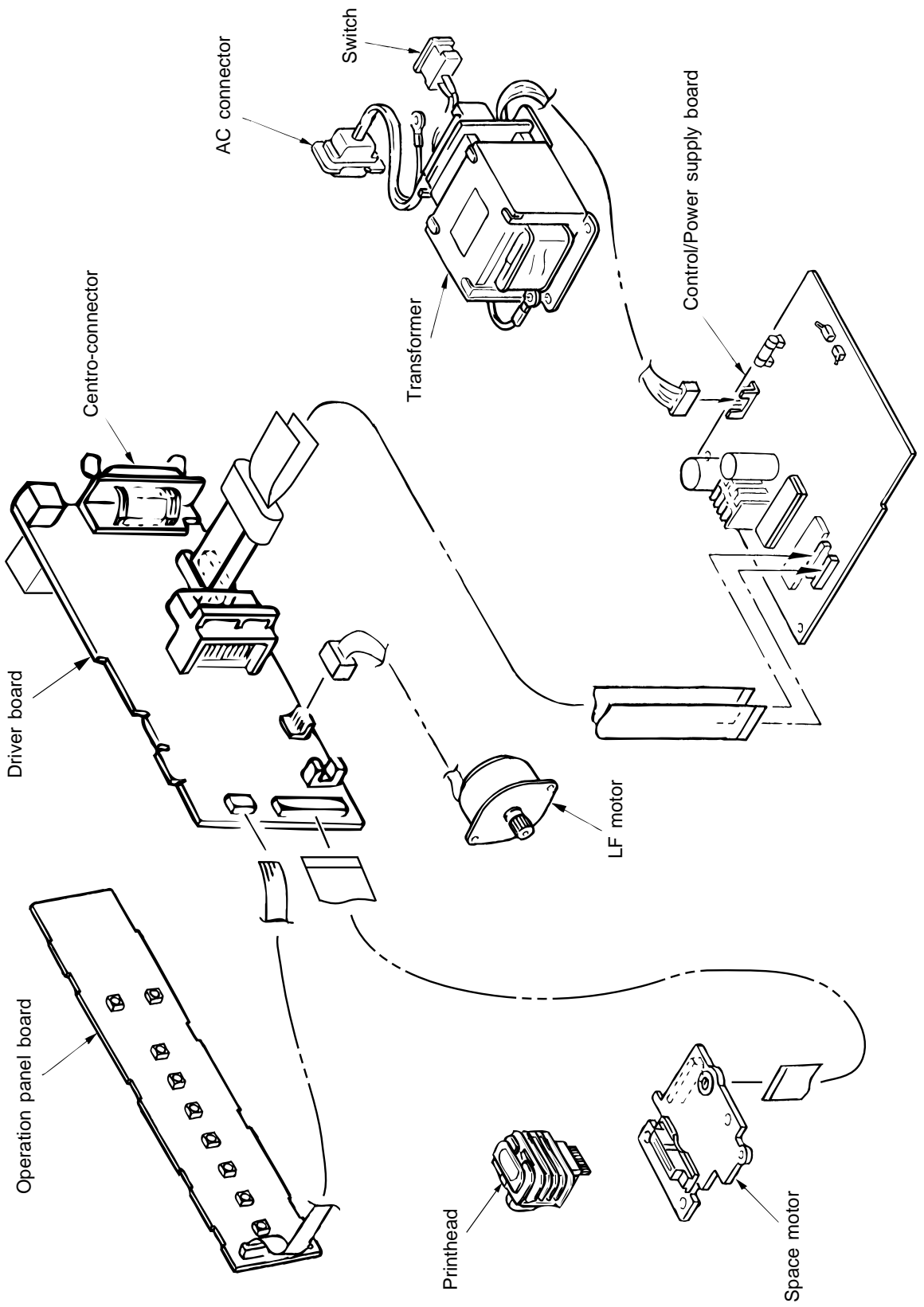
○ : LED Lights up

**Table 6.3 (2/2)**

| ALARM CATEGORY   | ALARM                    | LED DISPLAY |    |    |    |    |    |      |     |     |     | REMARKS | TROUBLESHOOTING |  |   |  |
|------------------|--------------------------|-------------|----|----|----|----|----|------|-----|-----|-----|---------|-----------------|--|---|--|
|                  |                          | ALARM       | 10 | 12 | 15 | 17 | 20 | PROP | HSD | UTL | NLQ |         |                 |  |   |  |
| SPACING ALARM    | Spacing alarm            | ☉           |    |    |    |    |    |      |     |     |     | ○       |                 |  | Space IPT is not occurred within in specified timing. | <ul style="list-style-type: none"> <li>• Replace space motor.</li> <li>• Replace P.H. cable.</li> <li>• Replace Control/Power Supply Board</li> <li>• Check the mechanisms if load is too much.</li> </ul> |
|                  | Print Head homing alarm  | ☉           |    |    |    |    |    |      |     |     |     |         | ○               |  | Print head does not reach to the home position.       | <ul style="list-style-type: none"> <li>• Check the P.H. connection.</li> <li>• Replace Print Head.</li> <li>• Replace P.H. cable.</li> <li>• Replace Control/Power Supply Board</li> </ul>                 |
| PRINT HEAD ALARM | Print Head A/D alarm     | ☉           | ○  |    |    |    |    |      |     | ○   |     |         |                 |  | Thermister is open, short with 0V or short with +5V.  | <ul style="list-style-type: none"> <li>• Replace P.H. cable.</li> <li>• Replace Control/Power Supply Board</li> </ul>  |
|                  | Print Head Gap A/D alarm | ☉           | ○  |    |    |    |    |      |     |     |     |         | ○               |  | Print Head Gap Signal open                            | <ul style="list-style-type: none"> <li>• Replace P.H. cable.</li> <li>• Replace Space Motor Assy</li> <li>• Replace Control/Power Supply Board</li> </ul>  |

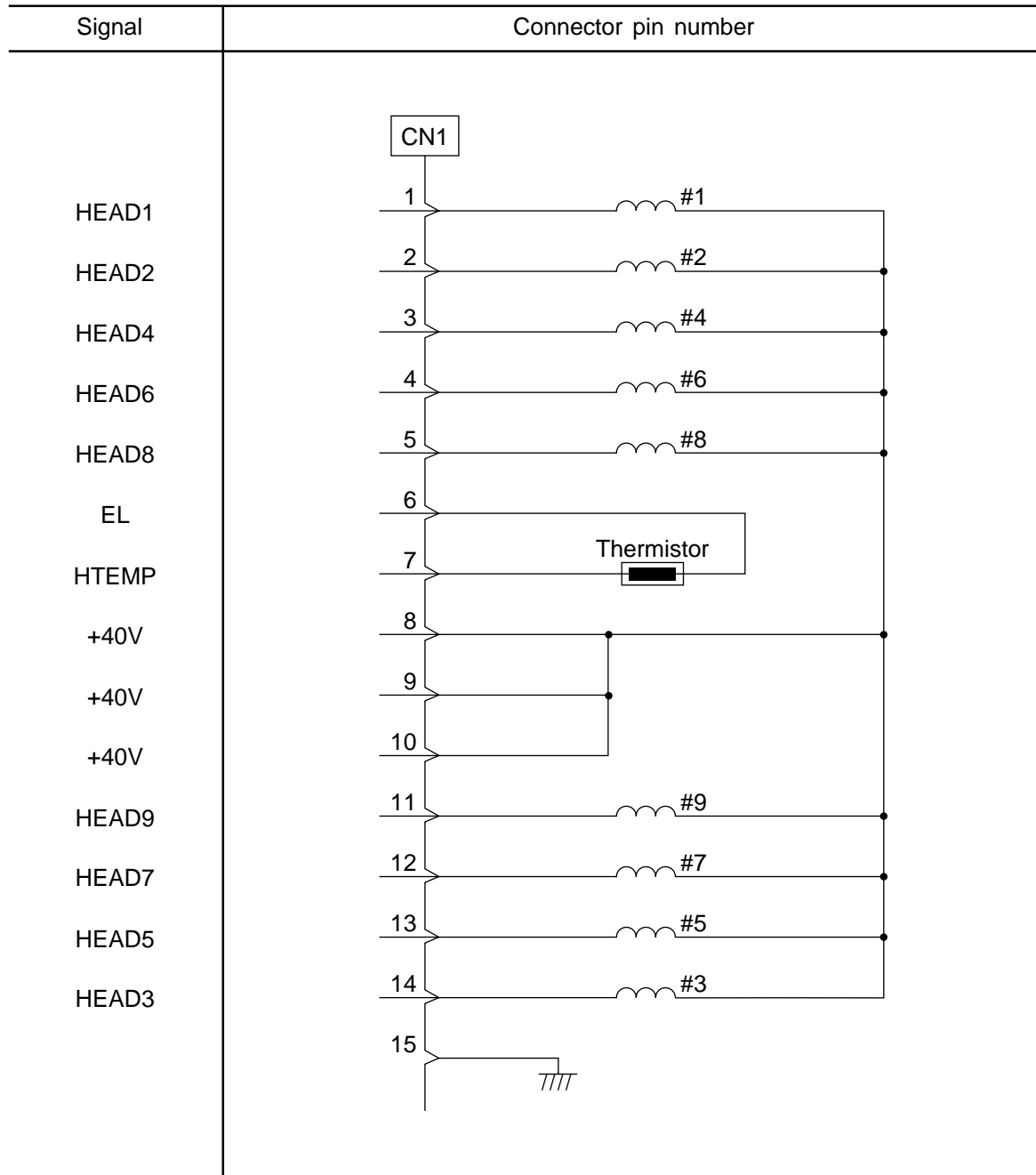
☉ : LED Blink (200ms ON, 200ms OFF)  
 ○ : LED Lights up





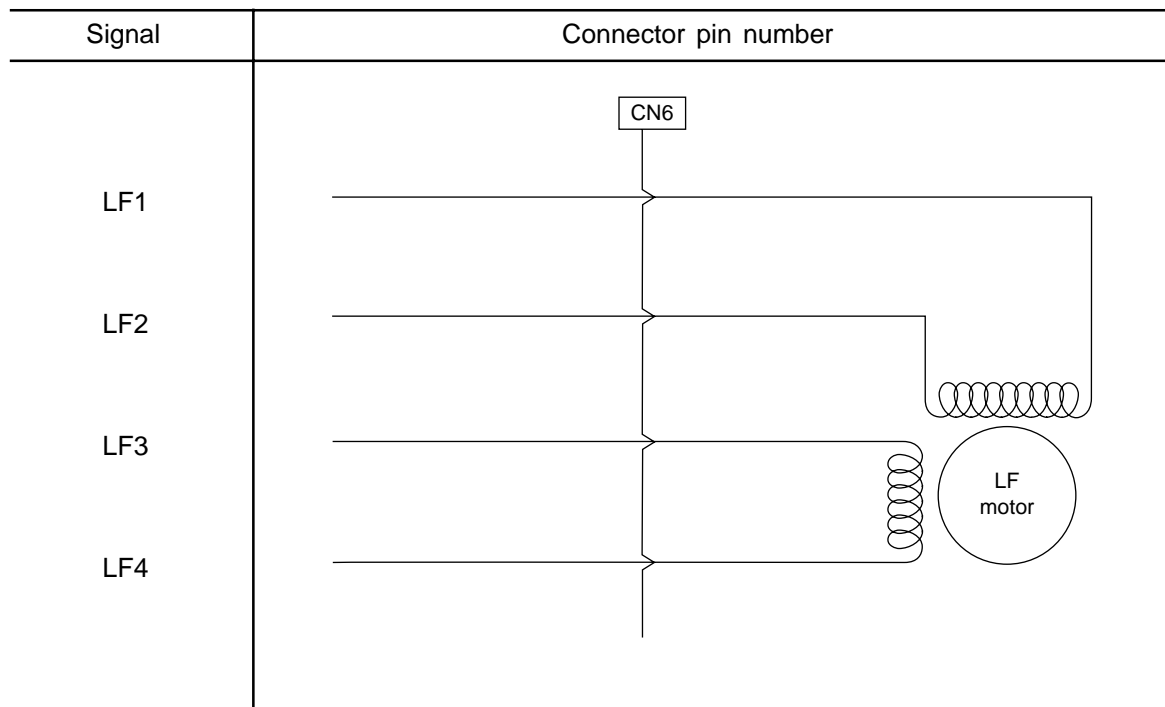
## 6.4 Connection Circuit Check for Printhead and SP/LF Motor

### (1) Printhead



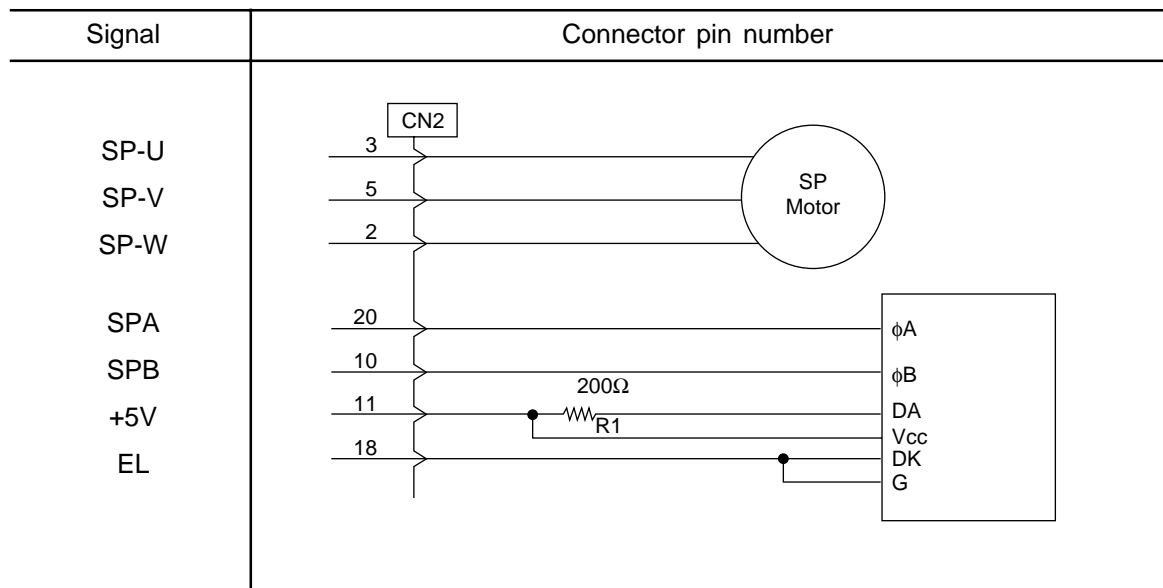
(2) Line Feed Motor

Resistance of each coil should be about  $7.6\Omega$ .



(3) Space Motor

Resistance of each coil should be about  $5\Omega$ .



## 6.5 Troubleshooting flow chart

① Power is not supplied.

- Is the AC cable connected correctly?

Yes    No



- Connect the AC cable correctly.

- Is fuse F1 on the transformer assy/or F1 on the control/power supply board blown?

No    Yes



- Replace fuse (with same type and rating).
- Remedied?

No    Yes



- End

- Does DC + 8V out?

No    Yes



- Remove Printhead. (Turn power off, then on.)
- Remedied?

No    Yes



- End

- Replace carriage cable or ribbon feed mechanism.

- Remedied?

No    Yes



- End

- Replace Control/Power supply board.

- Remove CN3 on Driver board.

- Measure for any short circuits between + 5V, + 40V, + 8V, 0V (EL or EP).

- Any short circuit?

No    Yes

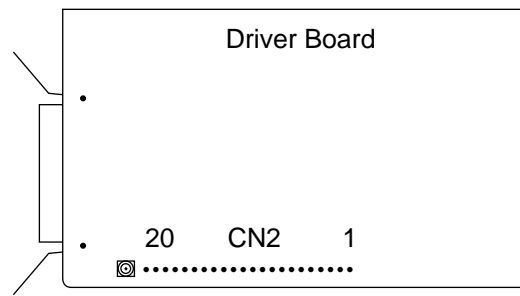


No Yes

- Replace Driver board.
- Replace Transformer assy.
- Remedied?

No Yes

- End
- Replace Control/Power supply board.

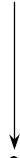


| Pin No. | 20  | 19          | 18 | 17 | 16   | 15 | 14 | 13        | 10 | 9          | 8 | 7   | 6 | 5 |
|---------|-----|-------------|----|----|------|----|----|-----------|----|------------|---|-----|---|---|
| Signal  | +8V | EP<br>(F.G) |    |    | +40V |    |    | AC<br>10V |    | EL<br>(0V) |   | +5V |   |   |

② **No spacing operation** (The alarm LED Blinks)

- Is carriage assembly binding or jammed?

No      Yes

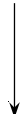


- Check around space motor to repair the mechanism of space rack, back up roller, ribbon feed mechanism, and carriage frame etc.

- Replace Space motor assy.

- Remedied?

No      Yes

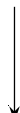


- End

- Replace Driver board.

- Remedied?

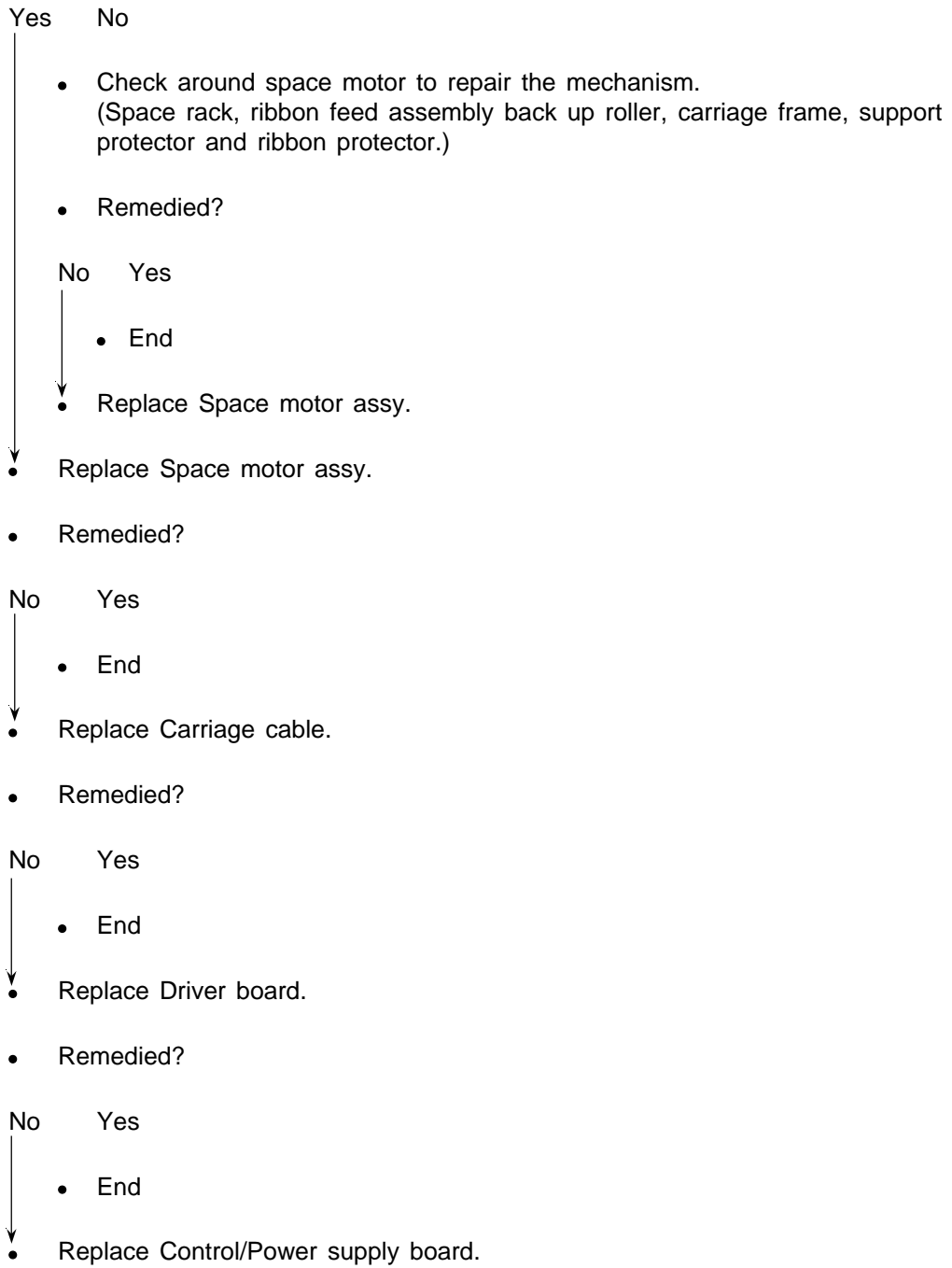
No      Yes



- End

- Replace Carriage cable.

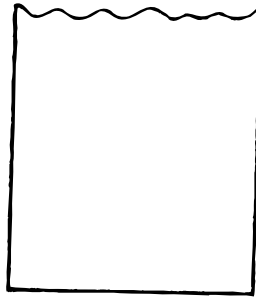
③ Homing does not end normally



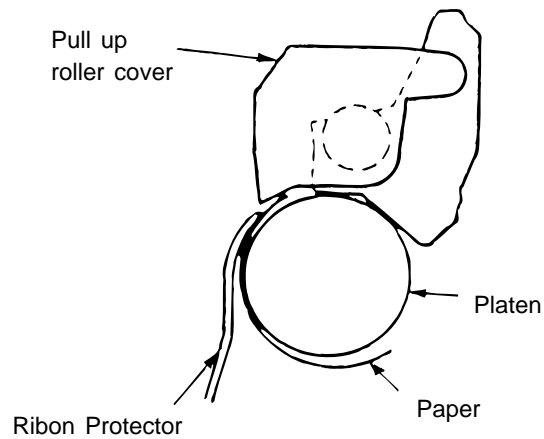


④ Paper jam while paper insertion

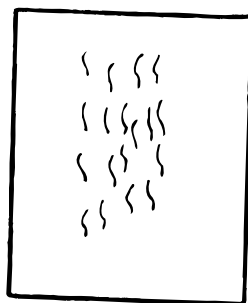
Jam 1



- Check the ribbon protector.
- Check the pull up roller cover is closed properly.



Jam 2 (wrinkled paper)



- Check around pressure roller mechanism.
  - Front pressure springs are narrow: 3 pcs; wide: 5 pcs) mounted properly or not.
  - Tension of all of front pressure rollers is properly.
  - Make sure of the fitting position of change gear shaft, change arm shaft and release shaft are correct.

⑤ Smearing/missing dots

- Does ALARM LED blink and display alarm?

No      Yes



- See Tables 6.2 and 6.3 for troubleshooting information.

- Replace Printhead.

- Remedied?

No      Yes



- End

- Replace Driver board.

- Remedied?

No      Yes



- End

- Replace Carriage cable or Space motor assy.

⑥ Faint or dark print

- Is the print head gap set properly?

Yes    No



- Adjust the printhead gap (see section 5).
- Remedied?

No    Yes



- End

- Replace Printhead.

- Remedied?

No    Yes



- End

- Replace Driver board.

- Remedied?

No    Yes



- End

- Replace Ribbon feed mechanism.

⑦ Ribbon feed trouble

- Remove the ribbon cartridge.
- Move carriage to left and right.
- Does the ribbon drive shaft rotate?

No      Yes



- Change Ribbon cartridge.
- Remove Ribbon feed mechanism.
- Move carriage to left and right.
- Does the ribbon drive shaft rotate?

No      Yes



- Replace Ribbon feed mechanism.
- Replace Space motor assy.

⑧ Line feed trouble

- Turn the power off, and rotate the platen manually.
- Does the platen rotate smoothly?

Yes    No

- Is the platen gear (L) broken?

No    Yes

- Replace Platen assembly.

- Is the LF motor idle gear broken?

No    Yes

- Replace the LF motor assembly or LF idle gear.

- Is the platen gear (R), idle gear or change gear broken?

No    Yes

- Replace the gear.

- Set change lever to the rear position.

- Does the platen rotate smoothly?

No    Yes

- Replace Tractor feed assembly.

- Replace LF motor assembly.

- Replace LF motor assembly.

- Remedied?

No    Yes

- End

- Replace Driver board.

⑨ Malfunction of switch on operation panel

- Is the CN1 of Operation panel connected to the CN3 on the driver board?

Yes    No



- Connect the cable properly.
- Replace Operation panel board.
- Remedied?

No    Yes



- End
- Replace Driver board.

⑩ Data receiving failure

- Is the SEL LED blinking?

No      Yes



- Printer went into the print suppress mode.  
Wait until printer to receives DC1 code, or change the menu item "Print suppress-ineffective" when the function is not required.

- Is the I/F RS232C?

No      Yes



- To step 

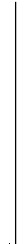
- Does the SEL LED light up?

Yes      No



- Press SEL key.
- Remedied?

No      Yes



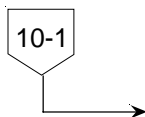
- Does the printer receive data properly?

No

Yes

- To step 

- End



- Disconnect I/F cable.

- Does the SEL LED light up?

No      Yes

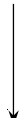


- Change menu item I-prime to invalid, or check for defective cable.

- Replace Driver board.

- Remedied?

No      Yes



- End

- Replace I/F cable.

10-2 (RS232C I/F)

Printer I/F pin assignment.

|     |         |
|-----|---------|
| TXD | 2 pin,  |
| RXD | 3 pin,  |
| SSD | 11 pin, |
| DTR | 20 pin, |
| DSR | 6 pin.  |

• Is the correct cable used?

Yes      No



- Change I/F cable.

• Is ALARM LED blinking?

No      Yes



- See tables 6.2 and 6.3 for the troubleshooting.
- Make sure of the parameters for RS232C in the menu are correct.

- Baud rate
- Bit length
- Parity
- Protocol
- Busy signal and its polarity

- Remedied?

No      Yes



- End
- Is + 8V supplied on Driver board?

Yes      No

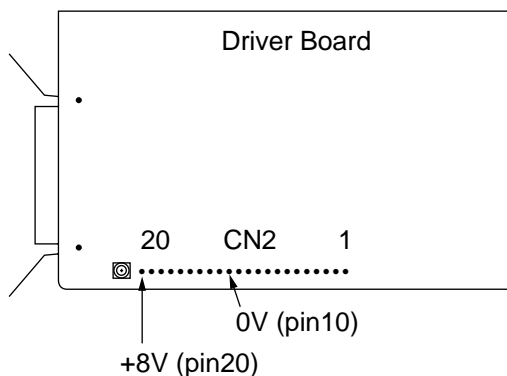


- Remove RS232C I/F Board.
- Is the + 8V supplied on the Driver board?

No      Yes



- Replace RS232C I/F board.
- Replace Driver board.





↓  
• Replace RS232C board.

• Remedied?

No      Yes

↓  
• End

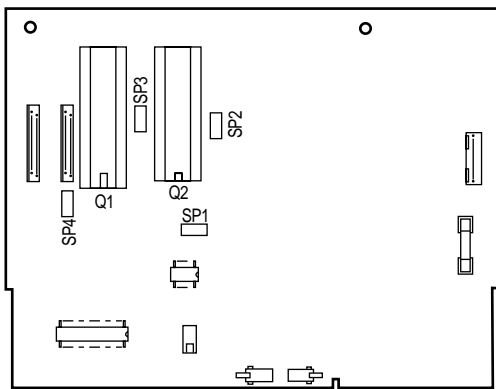
↓  
• Replace Driver board.

# APPENDIX A PCB LAYOUT

## PCB list

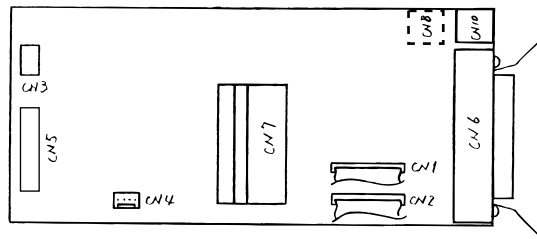
- (1) Circuit board AOU (Control/Power Supply)
- (2) Circuit board DVU (Driver)
- (3) Circuit board LEOP (Operation Panel)

### (1) Control/Power Supply Board (AOU)

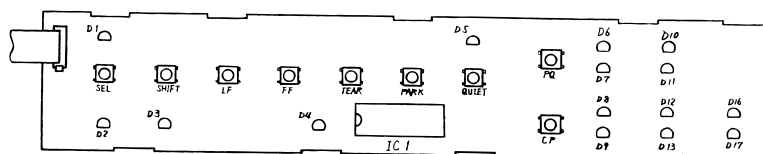


| Short Plug       | Setting  | Default  |
|------------------|--|----------|
| SP1<br>1 ○ ○ ○ 3 | 1 - 2: 4Mbit ROM of Q2<br>2 - 3: 1M/2Mbit ROM of Q2                | 1 - 2    |
| SP2<br>1 ○ ○ ○ 3 | 1 - 2: To use program ROM of Q1<br>2 - 3: To use program ROM of Q2 | 2 - 3    |
| SP3<br>1 ○ ○ ○ 3 | 1 - 2: To use program ROM of Q1<br>2 - 3: To use CGROM of Q1       | NO MOUNT |
| SP4<br>1 ○ ○ ○ 3 | 1 - 2: 32 Mbit ROM of Q1<br>2 - 3: 8 M/16 Mbit ROM of Q1           | NO MOUNT |

### (2) Driver Board (DVU)



### (3) Operation Panel Board (LEOP)



# APPENDIX B SPARE PARTS LIST

Quantity per year: Indicates the recommended number of each part that should be ordered for routine maintenance for one year for 500 units of printers and assuming that the printers are operated for 2 hours/day of 600 hours/year. The following codes are used to indicate the number of printers for which maintenance parts are ordered.

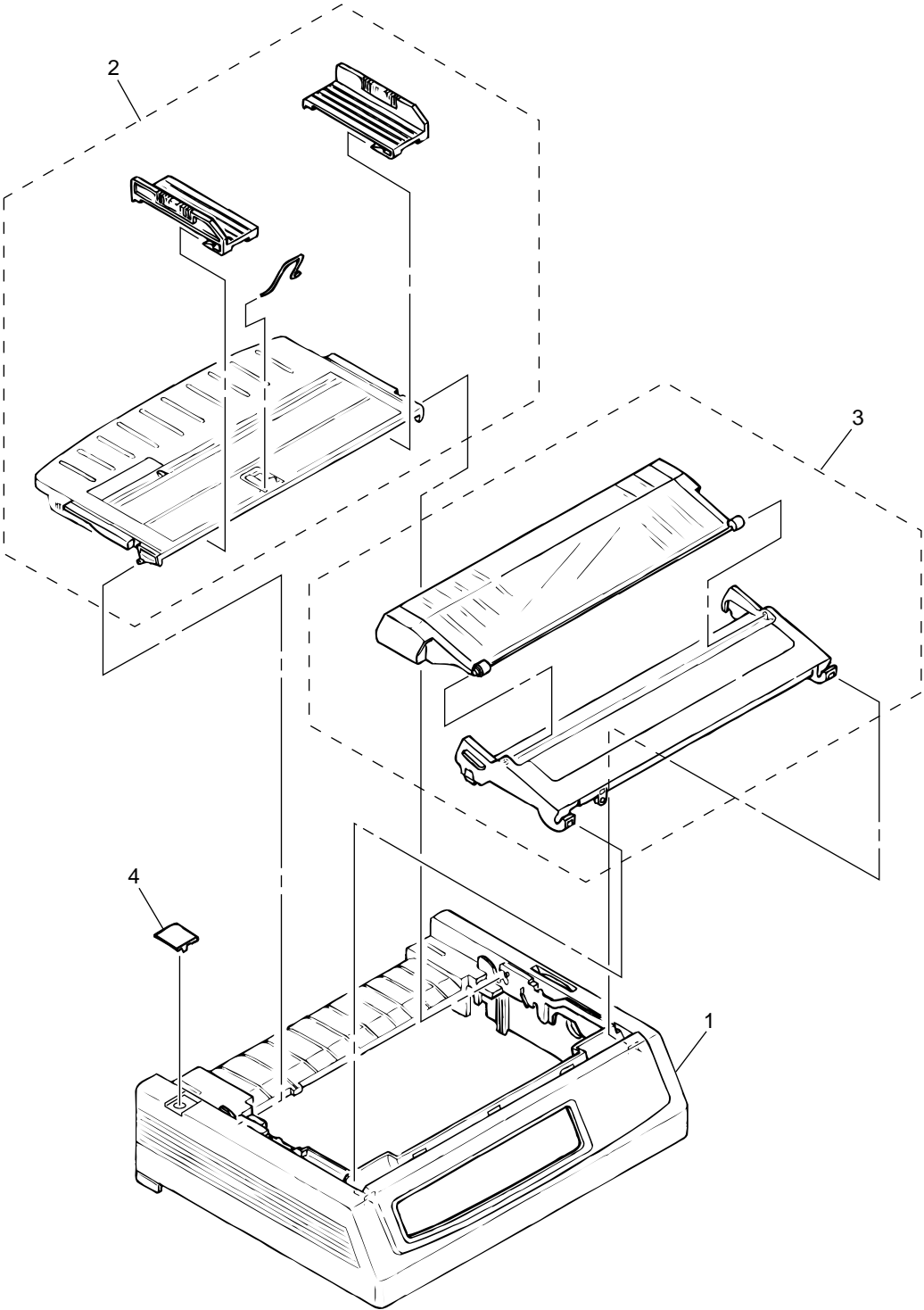


Figure 11-1 Upper Cover Assy

**Figure 11-1 Upper Cover Assy**

| No. | Part No.         | Description           | Q'ty | Q'ty<br>Required | Remarks         |
|-----|------------------|-----------------------|------|------------------|-----------------|
| 1   | 42044202         | Upper cover (N)       | 1    | 2                | For ML320 Turbo |
|     | 42044402         | Upper cover (W)       | 1    | 2                | For ML321 Turbo |
| 2   | 1PA4094-7305G010 | Sheet guide assy (N)  | 1    | 2                | For ML320 Turbo |
|     | 1PA4094-7308G011 | Sheet guide assy (W)  | 1    | 2                | For ML321 Turbo |
| 3   | 2PA4128-1237G001 | Access cover assy (N) | 1    | 2                | For ML320 Turbo |
|     | 2PA4128-1241G001 | Access cover assy (W) | 1    | 2                | For ML321 Turbo |
| 4   | 42044501         | Cover-CSF conector    | 1    | 2                |                 |

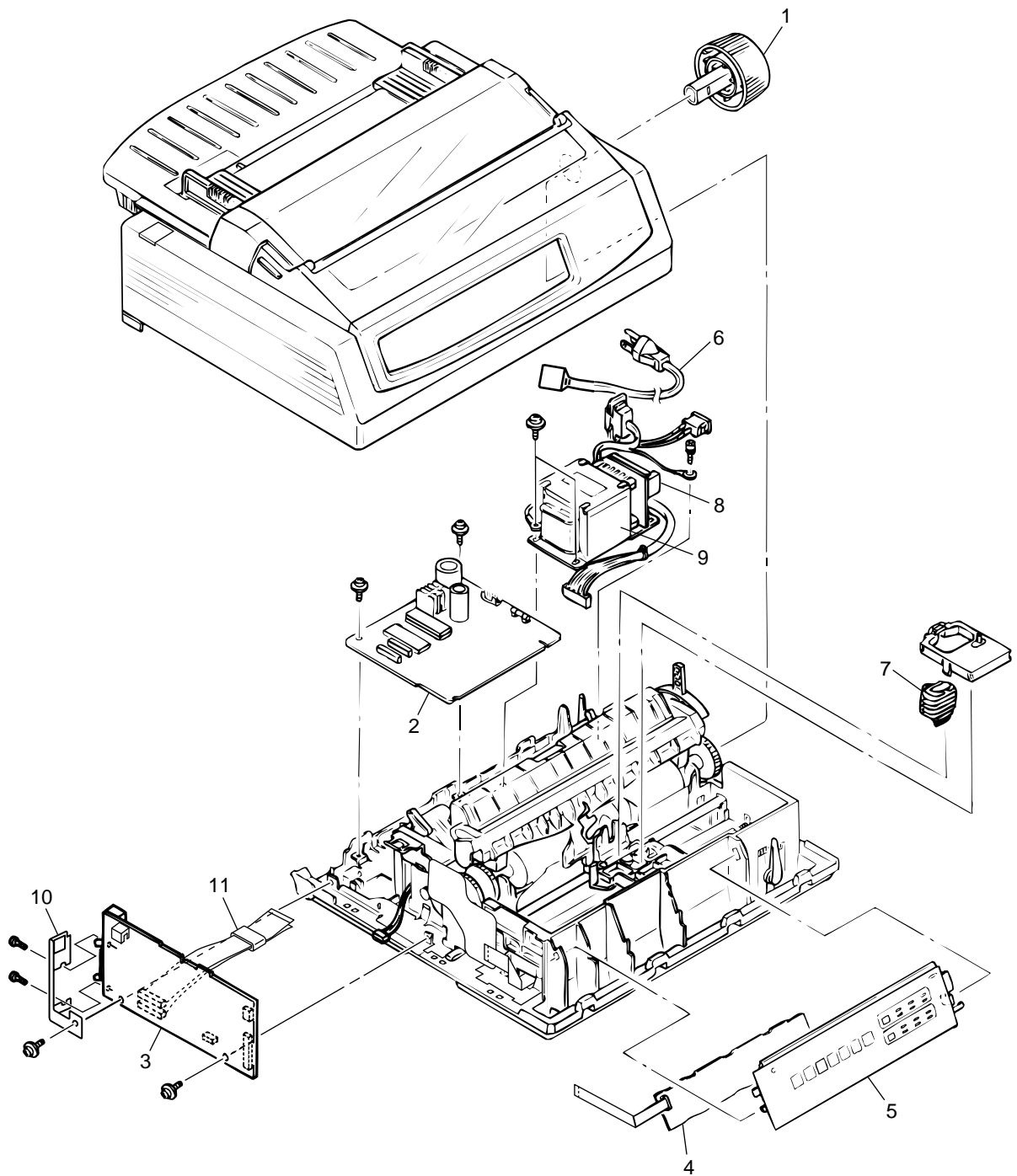


Figure 11-2 Printer General Assy

**Figure 11-2 Printer General Assy**

| No. | Part No.         | Description                             | Q'ty | Q'ty Required | Remarks     |
|-----|------------------|---|------|---------------|-------------|
| 1   | 2PP4025-2871P021 | Platen Knob                             | 1    | 1             |             |
| 2   | 41865502         | Control/power supply board (AOU)        | 1    | 9             | Without ROM |
| 3   | 41931302         | Driver board (DVU)                      | 1    | 9             |             |
| 4   | 40174203         | Operator panel board (LEOP)             | 1    | 3             |             |
| 5   | 3PP4044-5360G001 | Operation panel                         | 1    | 2             |             |
| 6   | 3YS4011-1315P001 | AC cord                                 | 1    | 1             | For 120V    |
|     | 3YS4011-1266P001 | AC cord                                 | 1    | 1             | For 230V    |
| 7   | 4YA4023-3301G001 | Printhead (9)                           | 1    | 10            |             |
| 8   | 4YB4042-1553P001 | Fuse 237002 (125V 2A)                   | 1    | 10            | For 120V    |
|     | 4YB4042-1552P001 | Fuse 217001 (250V 1A)                   | 1    | 10            | For 230V    |
| 9   | 41653401         | Transformer assy (ML320/321 Turbo 120V) | 1    | 2             |             |
|     | 4YB4049-7104P001 | Transformer assy (ML320 Turbo 230V)     | 1    | 2             |             |
|     | 4YB4049-7104P002 | Transformer assy (ML321 Turbo 230V)     | 1    | 2             |             |
| 10  | 42043901         | Plate I/F                               | 1    | 2             |             |
| 11  | 1050003C0009     | Core                                    | 1    | 1             |             |

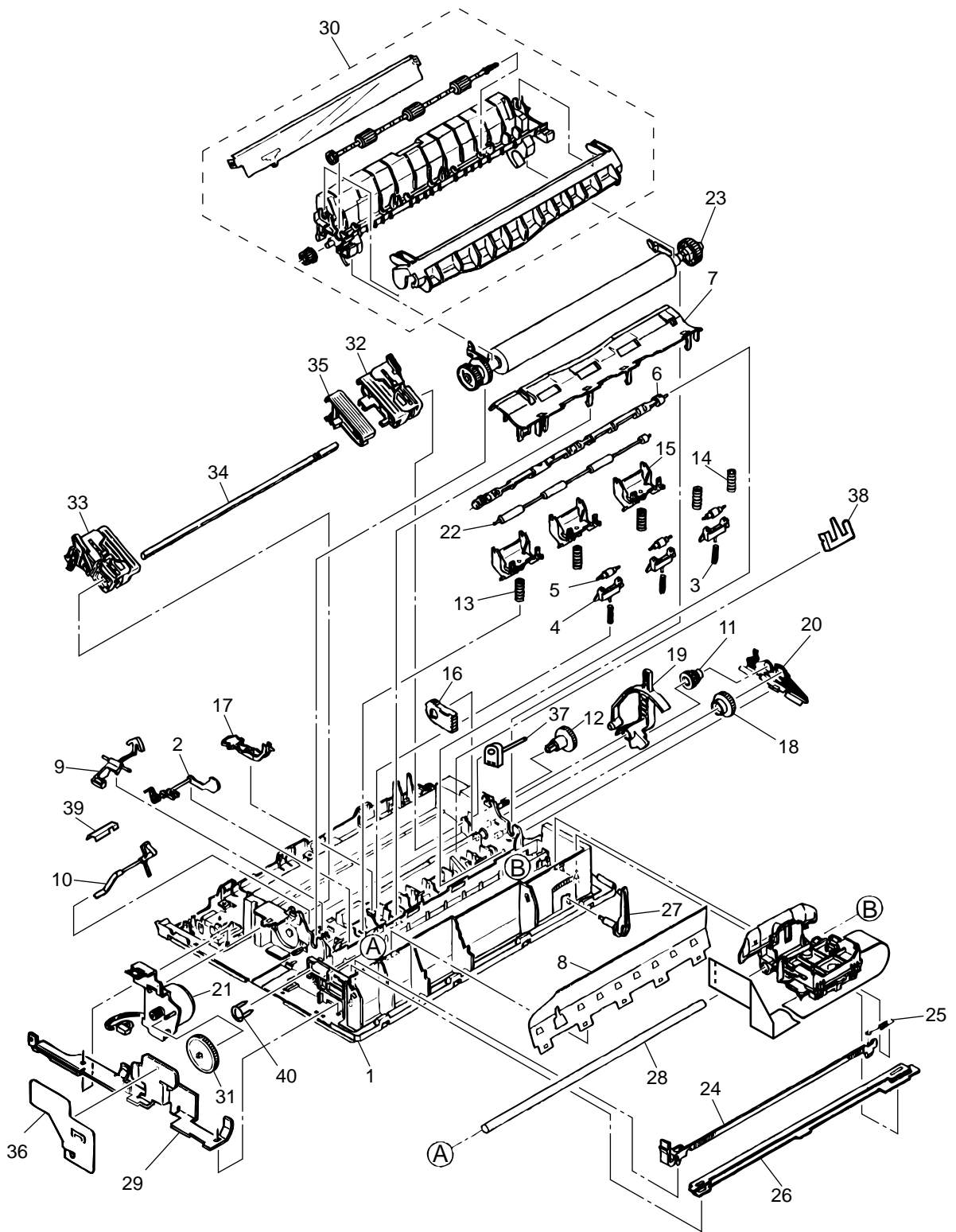


Figure 11-3 Printer Unit

**Figure 11-3 Printer Unit**

| No. | Part No.         | Description                   | Q'ty | Q'ty<br>Required | Remarks         | ODA#     |          |
|-----|------------------|-------------------------------|------|------------------|-----------------|----------|----------|
| 1   | 3PA4044-5002G002 | Main chassis assy (N)         | 1    | 2                | For ML320 Turbo |          |          |
|     | 3PA4044-5152G002 | Main chassis assy (W)         | 1    | 2                | For ML321 Turbo |          |          |
| 2   | 3PP4044-5012P001 | Bottom paper end lever        | 1    | 1                |                 |          |          |
| 3   | 4PP4044-5019P001 | Pressure spring (F)           | 3    | 2                | For ML320 Turbo |          |          |
|     | 4PP4044-5019P002 | Pressure spring (F)           | 5    | 4                | For ML321 Turbo |          |          |
| 4   | 4PP4044-5031P001 | Roller holder (F)             | 3    | 6                | For ML320 Turbo |          |          |
|     |                  |                               | 5    | 8                | For ML321 Turbo |          |          |
| 5   | 4PA4025-3327G002 | Front pressure roller         | 3    | 6                | For ML320 Turbo |          |          |
|     |                  |                               | 5    | 8                | For ML321 Turbo |          |          |
| 6   | 3PP4044-5015P001 | Release shaft (N)             | 1    | 2                | For ML320 Turbo |          |          |
|     | 3PP4044-5157P001 | Release shaft (W)             | 1    | 2                | For ML321 Turbo |          |          |
| 7   | 1PP4044-5021P001 | Paper pan plate (N)           | 1    | 2                | For ML320 Turbo |          |          |
|     | 1PP4044-5158P001 | Paper pan plate (W)           | 1    | 2                | For ML321 Turbo |          |          |
| 8   | 3PP4025-3320P001 | Leaf spring (N)               | 1    | 2                | For ML320 Turbo |          |          |
|     | 3PP4025-3507P001 | Leaf spring (W)               | 1    | 2                | For ML321 Turbo |          |          |
| 9   | 3PP4044-5011P001 | Paper end lever               | 1    | 1                |                 |          |          |
| 10  | 40775901         | Sensor lever                  | 1    | 1                |                 |          |          |
| 11  | 4PP4025-3340P001 | Change gear                   | 1    | 2                |                 |          | 51228001 |
| 12  | 3PP4025-3341P001 | Tractor gear                  | 1    | 2                |                 |          | 51228101 |
| 13  | 4PP4044-5020P001 | Pressure spring (R)           | 3    | 2                | For ML320 Turbo |          |          |
|     |                  |                               | 3    | 2                | For ML321 Turbo |          |          |
| 14  | 4PP4044-5163P001 | Pressure spring (W)           | 2    | 1                | For ML321 Turbo |          |          |
| 15  | 3PP4044-5033P001 | Roller holder (R)             | 3    | 6                | For ML320 Turbo |          |          |
|     |                  |                               | 5    | 10               | For ML321 Turbo |          |          |
| 16  | 4PP4044-5017P001 | Change arm lever              | 1    | 2                |                 |          |          |
| 17  | 3PP4044-5014P001 | Switch lever                  | 1    | 1                |                 |          |          |
| 18  | 4PP4044-5024P001 | Idle gear (PLT)               | 1    | 2                |                 |          |          |
| 19  | 2PP4044-5016P001 | Change lever                  | 1    | 2                |                 |          |          |
| 20  | 3PP4044-5023P001 | Reset spring D                | 1    | 2                |                 |          |          |
| 21  | 41737901         | LF motor assy                 | 1    | 4                |                 |          |          |
| 22  | 3PP4044-5034P001 | Rear pressure roller (N)      | 1    | 2                | For ML320 Turbo |          |          |
|     | 3PP4044-5162P001 | Rear pressure roller (W)      | 1    | 2                | For ML321 Turbo |          |          |
| 23  | 3PA4044-5025G002 | Platen assy (N)               | 1    | 3                | For ML320 Turbo |          |          |
|     | 3PA4044-5159G002 | Platen assy (W)               | 1    | 3                | For ML321 Turbo |          |          |
| 24  | 40907901         | Space rack gear (N)           | 1    | 3                | For ML320 Turbo |          |          |
|     | 40908001         | Space rack gear (W)           | 1    | 3                | For ML321 Turbo |          |          |
| 25  | 4PB4025-3377P002 | Tension spring for space rack | 1    | 1                |                 | 50923501 |          |



| No. | Part No.                             | Description  | Q'ty   | Q'ty<br>Required | Remarks                            | ODA# |
|-----|--------------------------------------|--|--------|------------------|------------------------------------|------|
| 26  | 3PP4044-5008P001<br>3PP4044-5155P001 | Guide rail plate (N)<br>Guide rail plate (W)       | 1<br>1 | 1<br>1           | For ML320 Turbo<br>For ML321 Turbo |      |
| 27  | 3PP4025-2810P002                     | Adjust cam   | 1      | 1                |                                    |      |
| 28  | 4PP4044-5009P001<br>4PP4044-5009P002 | Carriage shaft<br>Carriage shaft                   | 1<br>1 | 1<br>1           | For ML320 Turbo<br>For ML321 Turbo |      |
| 29  | 42046701                             | FG plate   | 1      | 1                |                                    |      |
| 30  | 3PA4044-5050G001<br>3PA4044-5165G001 | Pull-up roller assy (N)<br>Pull-up roller assy (W) | 1      | 2<br>2           | For ML320 Turbo<br>For ML321 Turbo |      |
| 31  | 40355101                             | Idle gear (9)                                      | 1      | 4                |                                    |      |
| 32  | 4PA4044-5041G002                     | Tractor frame assy (R)                             | 1      | 2                |                                    |      |
| 33  | 4PA4044-5043G002                     | Tractor frame assy (L)                             | 1      | 2                |                                    |      |
| 34  | 4PP4025-3335P003<br>4PP4025-3335P004 | Drive shaft<br>Drive shaft                         | 1<br>1 | 2<br>2           | For ML320 Turbo<br>For ML321 Turbo |      |
| 35  | 3PP4044-5046P001                     | Tractor sheet guide                                | 1      | 2                | For ML321 Turbo                    |      |
| 36  | 4PB4044-5095P001                     | FG plate (A)                                       | 1      | 2                |                                    |      |
| 37  | 3PP4044-5089P001                     | Change gear shaft                                  | 1      | 2                |                                    |      |
| 38  | 4PP4044-5018P001                     | Support spring D                                   | 1      | 2                |                                    |      |
| 39  | 40689301                             | Cover  | 1      | 2                |                                    |      |
| 40  | 40383601                             | Spring-shaft                                       | 1      | 2                |                                    |      |

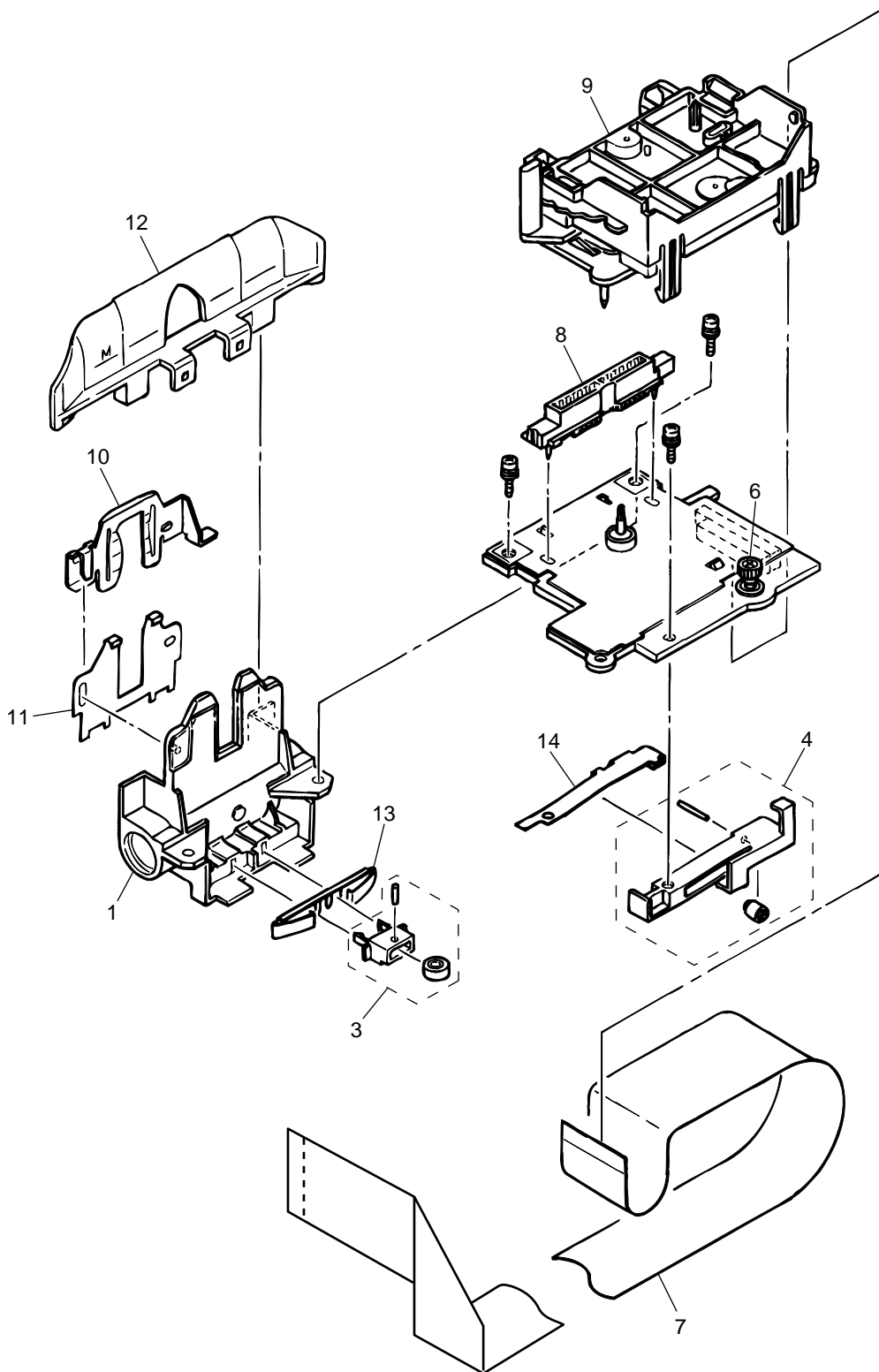
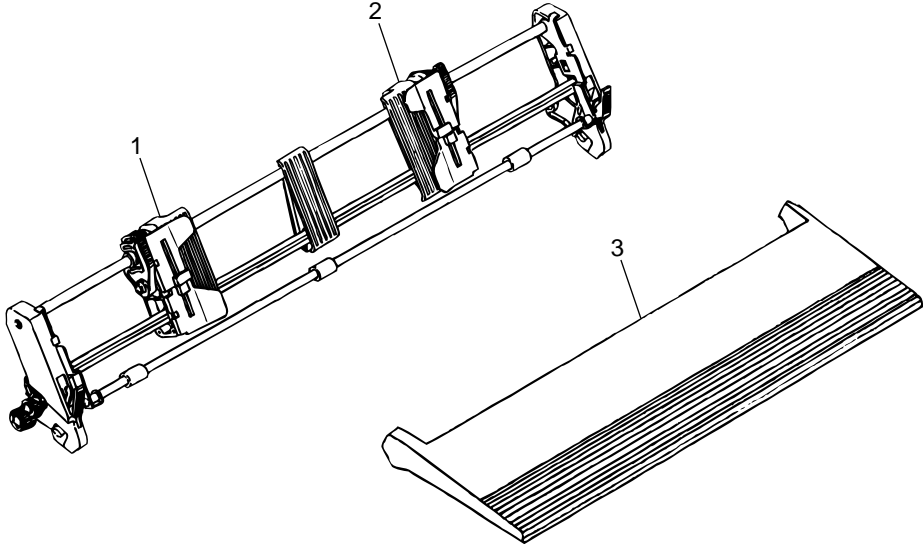


Figure 11-4 Carriage Assy

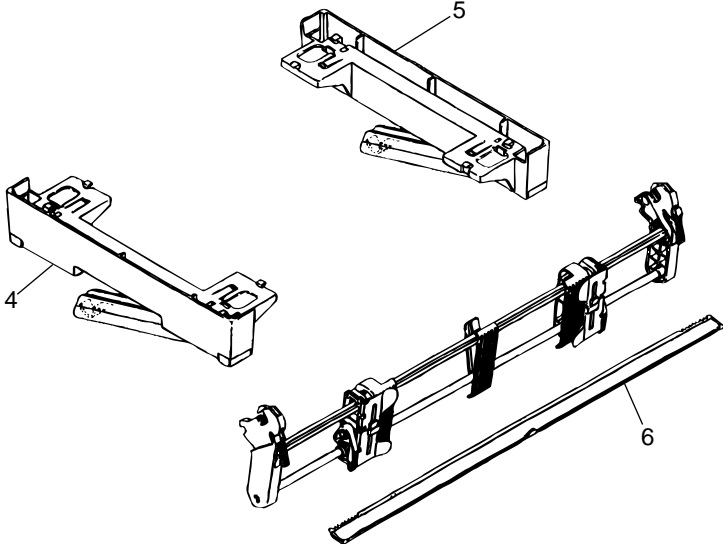
**Figure 11-4 Carriage Option Assy**

| No. | Part No.         | Description                  | Q'ty | Q'ty Required | Remarks         | ODA#     |
|-----|------------------|------------------------------|------|---------------|-----------------|----------|
| 1   | 4PP4044-5061G001 | Carriage frame set           | 1    | 2             |                 |          |
| 2   |                  |                              |      |               |                 |          |
| 3   | 4PA4025-3718G001 | Back up roller holder assy   | 1    | 2             |                 |          |
| 4   | 40463001         | Guide roller holder assy     | 1    | 2             |                 | 53341901 |
| 5   |                  |                              |      |               |                 |          |
| 6   | 4YA4044-5100G001 | Space motor assy             | 1    | 4             |                 |          |
| 7   | 42110701         | Head cable (9N)              | 1    | 5             | For ML320 Turbo |          |
|     | 42110702         | Head cable (9W)              | 1    | 5             | For ML321 Turbo |          |
| 8   | 3PB4044-5125P001 | 15-pin connector             | 1    | 2             |                 |          |
| 9   | 3PA4044-5070G002 | Gear case assy               | 1    | 3             |                 |          |
| 10  | 3PP4044-5068P001 | Head clamp                   | 1    | 1             |                 |          |
| 11  | 4PP4044-5067P001 | Head plate                   | 1    | 1             |                 |          |
| 12  | 3PP4044-5064P001 | Ribbon protector             | 1    | 2             |                 | 53562801 |
| 13  | 4PP4025-3397P001 | Back up roller holder spring | 1    | 1             |                 |          |
| 14  | 4PP4044-5066P001 | Guide roller spring          | 1    | 1             |                 |          |

[Pull-Tractor]



[Bottom-Tractor]



[I/F Board]

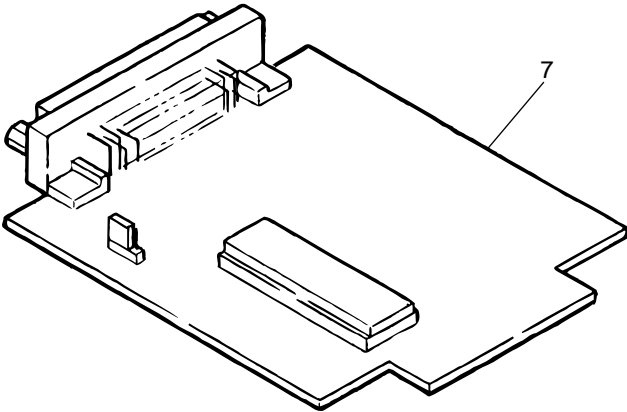


Figure 11-5 Option Spare Parts

**Figure 11-5 Option Spare Parts**

| No. | Part No.         | Description                      | Q'ty | Q'ty Required | Remarks         | ODA# |
|-----|------------------|----------------------------------|------|---------------|-----------------|------|
| 1   | 4PA4025-3608G001 | Pull and bottom tractor assy (L) | 1    | 2             |                 |      |
| 2   | 4PA4025-3603G001 | Pull and bottom tractor assy (R) | 1    | 2             |                 |      |
| 3   | 2PP4128-1239G001 | Tractor cover assy (N)           | 1    | 3             | For ML320 Turbo |      |
|     | 2PP4128-1243G001 | Tractor cover assy (W)           | 1    | 3             | For ML321 Turbo |      |
| 4   | 1PA4128-1277G001 | Bottom push stand (L)            | 1    | 2             |                 |      |
| 5   | 1PA4128-1277G002 | Bottom push stand (R)            | 1    | 2             |                 |      |
| 6   | 4PP4094-7385G001 | Paper knife (N)                  | 1    | 1             | For ML320 Turbo |      |
|     | 4PP4094-7386G001 | Paper knife (W)                  | 1    | 1             | For ML321 Turbo |      |
| 7   | 4YA4021-1050G001 | LXHI-PCB (RS232 I/F)             | 1    | 3             |                 |      |

## **APPENDIX C RS-232C SERIAL INTERFACE BOARD**

### **1. GENERAL**

This section describes the operation of the RS-232C Serial Interface board installed in the Printer as an option using a start-stop synchronization and serial communications circuit. This serial interface board is capable of transmitting and receiving simultaneously at speeds up to 19,200 bits per second. Two protocols are available: printer Ready/Busy and X-ON/X-OFF modes.

## 2. OPERATION DESCRIPTION

### 2.1 Element Description

(1) 80C51 with MASK ROM

An eight-bit microprocessor controller that controls the following:

- (a.) Serial interface protocol and data transfer through a serial port.
- (b.) Message buffer.
- (c.) Transmission of parallel data to the printer.

(2) SN75189

An RS-232C standard line receiver

(3) SN75188

An RS-232C standard line driver.

(4) 2764

An 8 kbyte ROM that contains the serial interface control program.

(5) HM6264

An 8192-byte static RAM used as a message buffer.

### 2.2 Circuit Description

A block diagram is shown in Figure C-2-1.

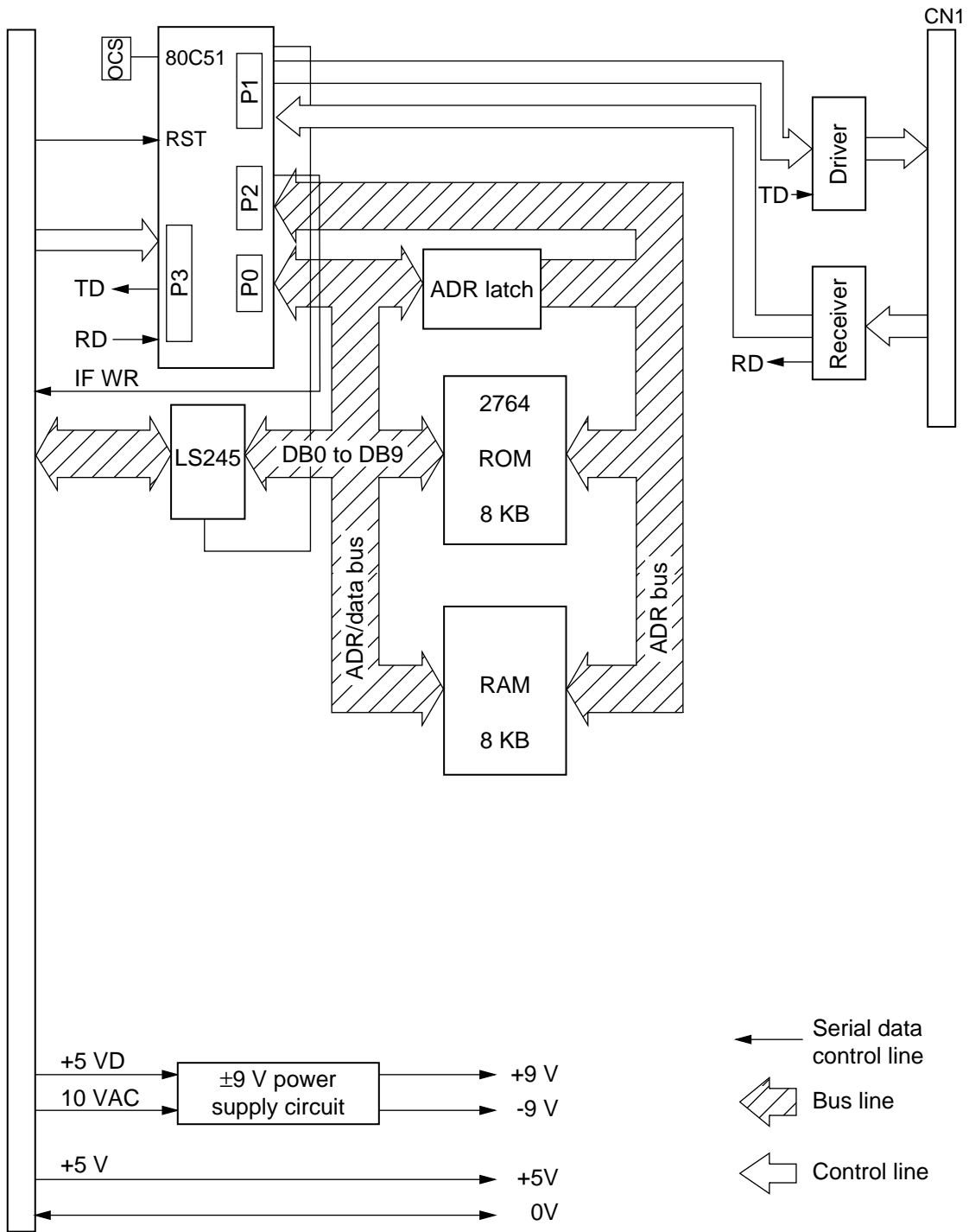


Figure C-2-1 Block Diagram



### 2.2.1 Operation at power on

After power is turned on, an RST OUT signal is sent from the printer control board to reset the printer. When the reset is canceled, the 80C51 CPU performs initialization. Initialization consists of setting the 80C51 timer, and setting the serial mode.

### 2.2.2. RS-232C interface

The DTR, SSD, TD and RTS signals output by the 80C51 are converted to RS-232C signals by line driver SN75188 (Q1) and sent to the interface.

In addition, signals DSR, CTS, CD, and RD on the RS232C interface are converted to TTL level by line receiver SN75189 (Q2) and input to the 80C51.

## 2.3 Communication Procedure Flowchart

### 2.3.1 Mode (a)

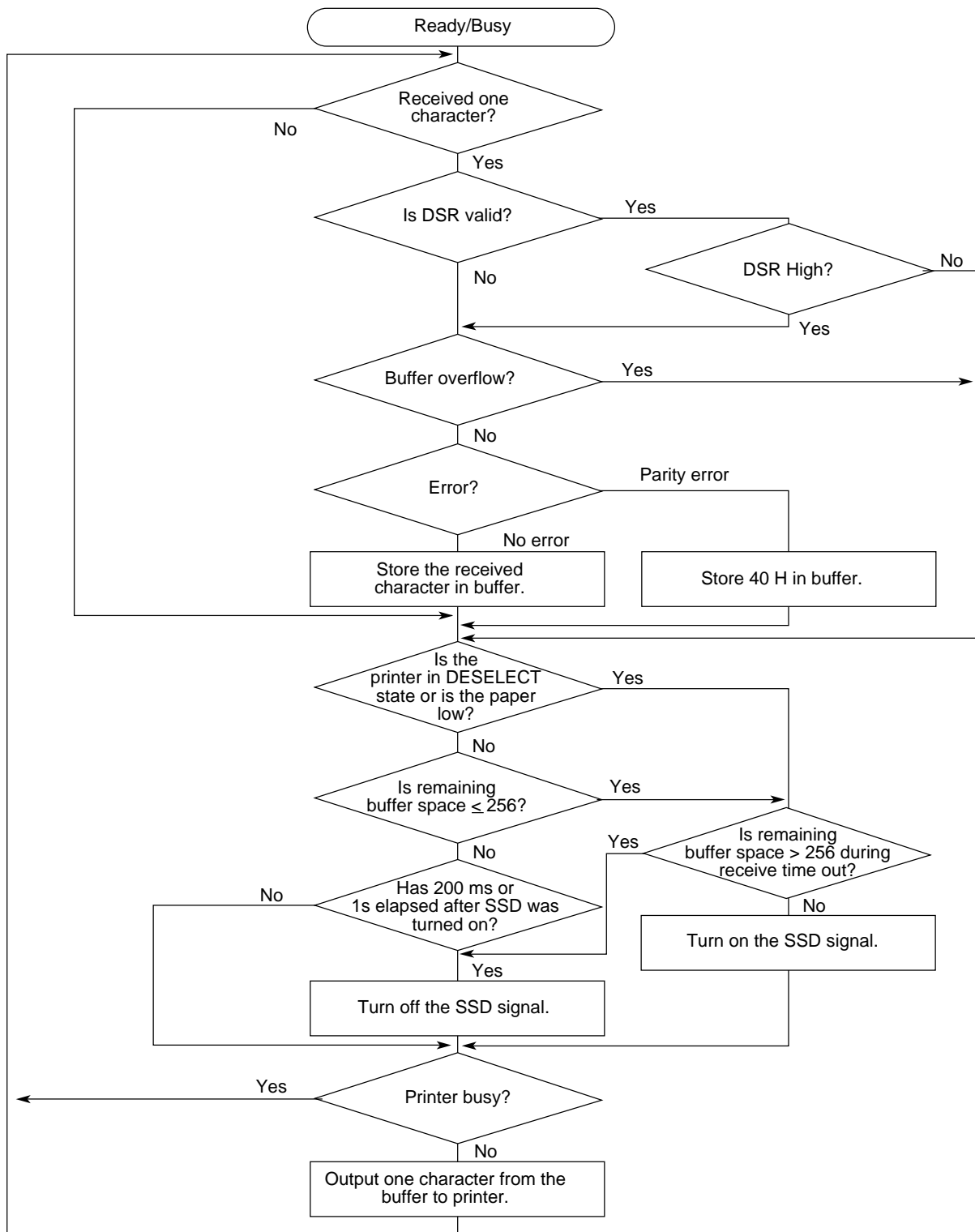


Figure C-2-2

2.3.2 Mode ②

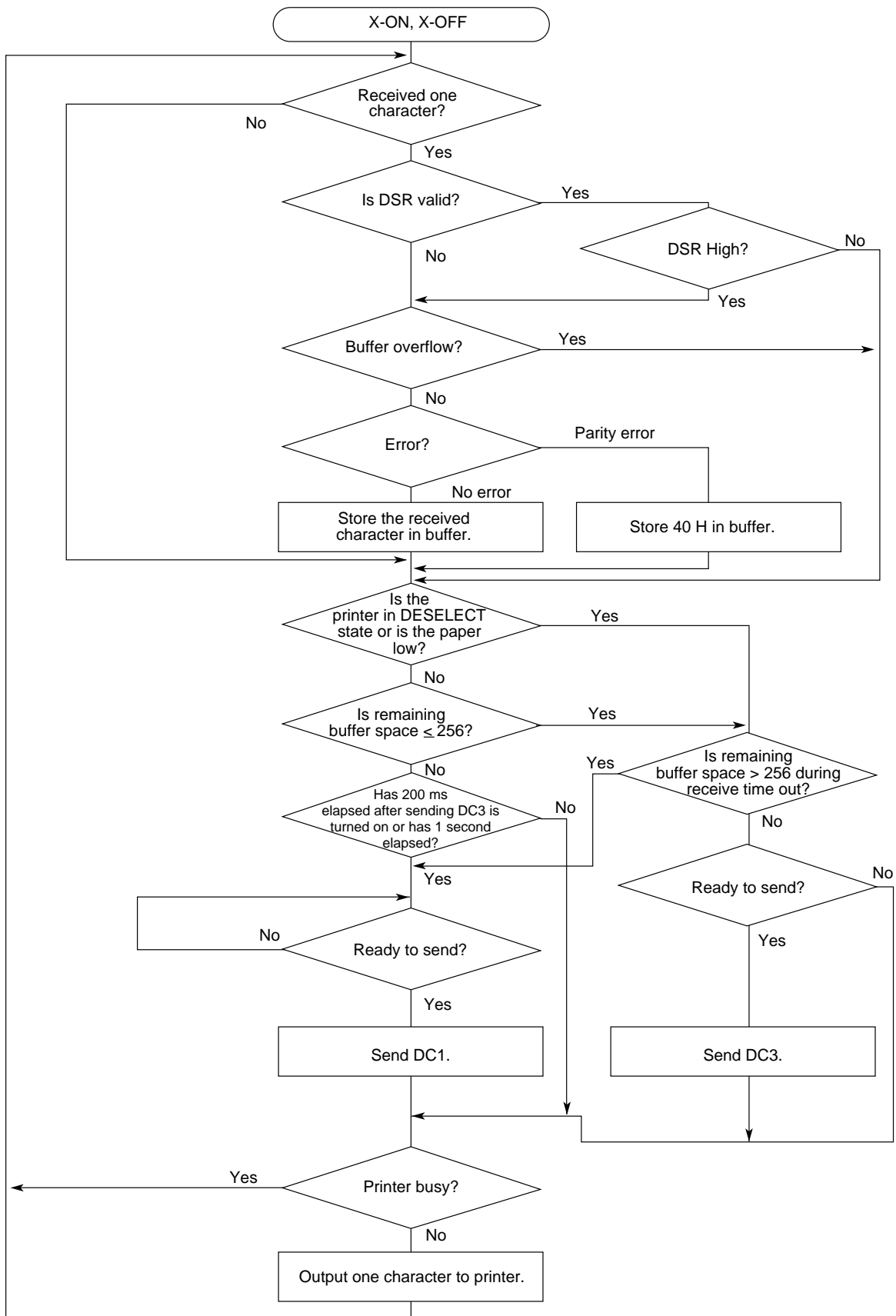


Figure C-2-3

### **3. TROUBLESHOOTING FLOWCHART**

#### **3.1 Before Repairing a Fault**

Before servicing the printer, ask the customer in what situation the trouble occurred and record the response.

Before starting troubleshooting, operate the printer in the same situation as that at the time of trouble occurrence to see if the same trouble occurs again. If not, perform the printers self test and thoroughly test the printers functionality. If the trouble is reproducible proceed to the troubleshooting section.

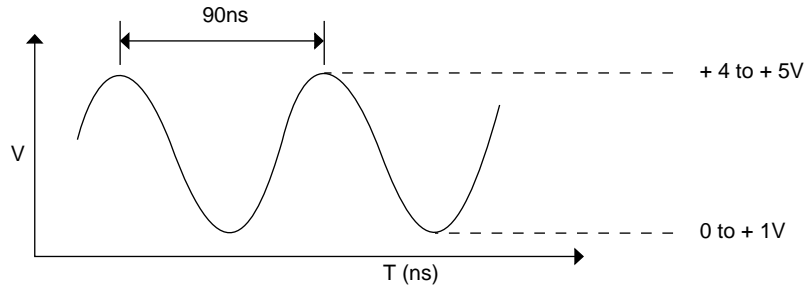
#### **3.2 Troubleshooting**

- (1) The data is not received using a serial interface.
- (2) Using a serial interface, the print data is omitted or the print operation is not performed.

① The data is not received using a serial interface.

(A protocol is set to READY/BUSY state, and BUSY LINE is in SSD + state.)

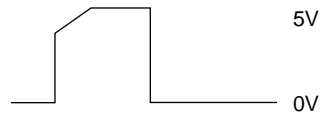
• Is the OSC oscillation waveform as specified in Figure C-3-1?



**Figure C-3-1**

• No Replace the OSC.

• Yes Is a RST signal in Q3 is as specified in Figure C-3-2?



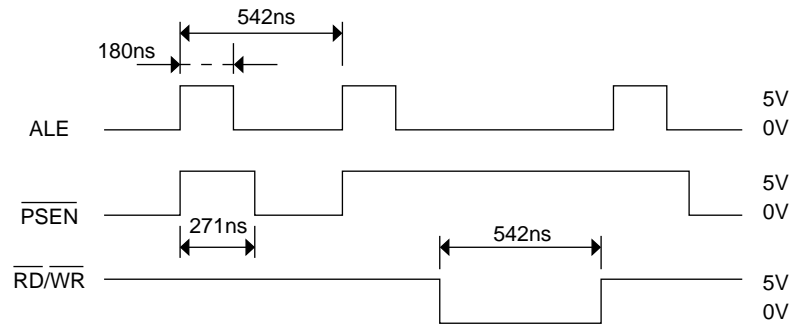
**Figure C-3-2**

• No Check the RST circuit on the AOU board.

Ⓐ

(A)

• Yes Are ALE,  $\overline{\text{PSEN}}$ ,  $\overline{\text{RD}}$ ,  $\overline{\text{WR}}$ , signals as specified in Figure C-3-3?



**Figure C-3-3**

• No Replace the Q3.

• Yes Are (T1)  $\overline{\text{SELECT}}$  and (INT0)  $\overline{\text{BUSY}}$  signals low level?

• No Check Q12 on the DVU board.

• Yes Are +9V and -9V input to Q1?

• No Replace defective component in +9/-9 volt control circuit.

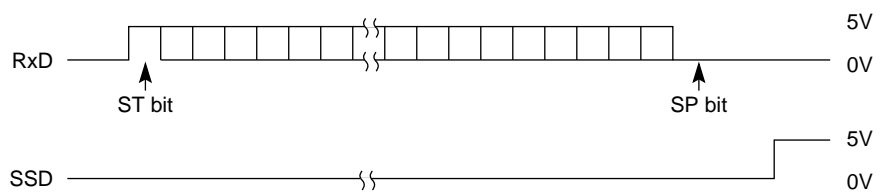
• Yes Is pin 1 SSD signal of Q3 High level?

• No Replace the Q3.

• Yes Is pin 11 SSD of Q1 low level?

• No Replace the Q1 or the CN1?

• Yes Is the RxD of Q3 as specified in Figure C-3-4?



**Figure C-3-4**

• No Replace the Q2.

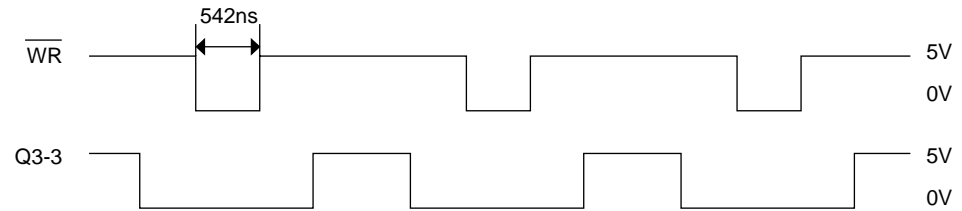
• Yes Replace the Q3.

② In receiving by serial interface, printing data is omitted or printing operation is not performed.

• Are RxD and SSD of Q3 as specified in Figure C-3-4?

- No Replace the Q2.

• Yes Are,  $\overline{WR}$ , and BUS signals of Q3 pin 3 as specified in Figure C-3-5?



**Figure C-3-5**

- No Replace the Q3.

• Yes Is the level of a BUS signals at Q7 pins 2-9 the same as that of DB0-7 when  $\overline{WR}$  signal is started?

- No Replace the Q7.

• Yes Is 4 pin of Q6 identical to  $\overline{WR}$  signal in Figure C-3-5?

- No Replace the Q6.

• Yes Check Q12 on the DVU PCB.

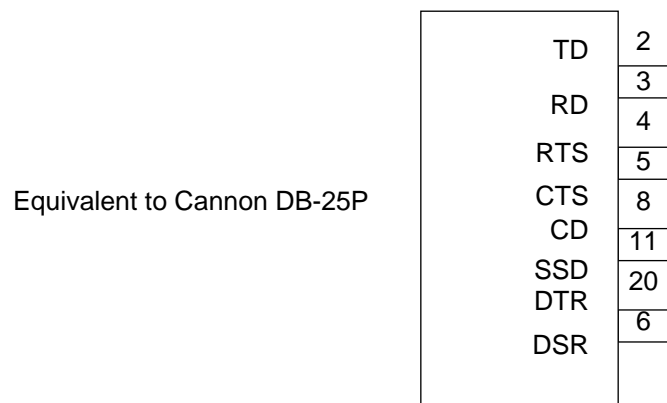
### 3.3 Local Test

#### 3.3.1 Circuit test mode

##### 3.3.1.1 Setting

- (1) Diagnostic test (set by menu)
- (2) Test connector

Connect the test connector shown in Figure C-3-6 to the interface connector



**Figure C-3-6 Test Connector Connection Diagram**

##### 3.3.1.2 Function

After the settings outlined in Section 3.3.1.1 are completed and power is turned on, the serial interface checks the message buffer memory and interface driver/receiver circuit. It then prints characters.

To start and stop this test, push the SEL switch on the front of the printer.

Details of this test are explained on the next page.



- (1) The program revision using two numerical characters is printed.
- (2) "LOOP TEST" is printed.
- (3) Memory is checked for the message buffer.
- (4) Prints "OK" is printed if the memory check is OK and "BAD" is printed if the memory check fails.
- (5) Output level to DTR, RTS, and SSD signals is dropped low. If DSR, CTS, or CD signals is High, "IF BAD" is printed. If DSR, CTS, and CD signals are all Low, "IF OK" is printed.
- (6) Output level to DTR, RTS, and SSD signals is raised high. If DSR, CTS, or CD signals is Low, "IF BAD" is printed. If DSR, CTS, and CD signals are all High, "IF OK" is printed.
- (7) Transmits characters codes from 20H to 7FH is transmitted by SD signal. At the same time, characters are received by the RD signal and stored in the message buffer.
- (8) The characters that were stored in the message buffer as indicated in (7) are printed.
- (9) Steps (1) through (8) are repeated until test is interrupted.