



ML280 Elite Printer

Spare Parts List

[Extracted from ML280 Elite Rev.1 Maintenance Manual]

2003-12-24 Rev.1

SPARE PARTS LIST

Printer Unit	Figure 9-1
Printer Mechanism	Figure 9-2
Pin Tractor Unit	Figure 9-3
REO-Printed-Circuit Board	Figure 9-4

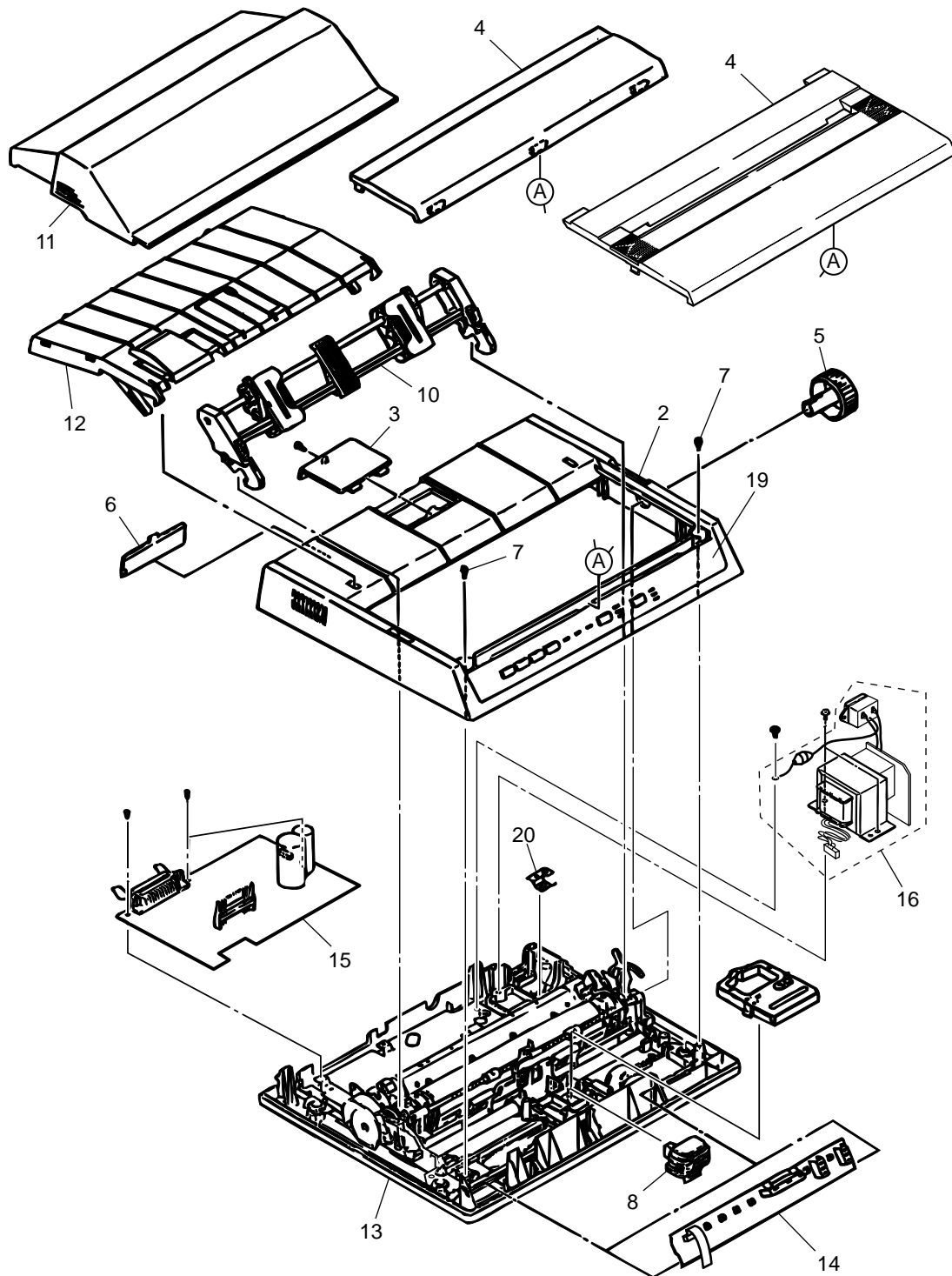


Figure 9-1 Printer Unit

Table 9-1 Print Unit

No.	Parts Number	Description	Q'ty	Q'ty of Spare Parts / Year	Remarks
				Unit : 500	
1					
2	42014601 42014602	Upper Cover (Calked) Upper Cover (Calked)	1 1	3 3	3.5Y8/0.5 0.7P2.3/1.0
3	42014801 42014802	Dip Switch (Access) Cover Dip Switch (Access) Cover	1 1	3 3	3.5Y8/0.5 0.7P2.3/1.0
4	42594601 42594603 42178701 42178702	Access Cover (Affixed) Access Cover (Affixed) Access Cover (Tractor) Access Cover (Tractor)	1 1 1 1	3 3 3 3	3.5Y8/0.5 0.7P2.3/1.0 3.5Y8/0.5 0.7P2.3/1.0
5	40673402 40673403	Platen Knob Platen Knob	1 1	3 3	PMS Cool Gray 7C Black
6	42019601 42019602	Connector Cover Connector Cover	1 1	3 3	3.5Y8/0.5 0.7P2.3/1.0
7	4PB4083-5670P013	P Tight Screw	2	1	ℓ=12mm
8	42666401	Print Head	1	9	
9					
10	3PA4025-2633G001	Pin Tractor Assy	1	3	
11	2PB4025-1130P001	Acoustic Cover	1	3	
12	42017901 42017902	Sheet Separator Assembly Sheet Separator Assembly	1 1	3 3	3.5Y8/0.5 0.7P2.3/1.0
13	42593801 42593802 42593803 42593804 42593805 42593806 42593807	Mechanical unit Assy Mechanical unit Assy Mechanical unit Assy Mechanical unit Assy Mechanical unit Assy Mechanical unit Assy Mechanical unit Assy	1 1 1 1 1 1 1	3 3 3 3 3 3 3	For ML186 (3.5Y8/0.5) For ML280Elite (3.5Y8/0.5) For ML184 Turbo+(3.5Y8/0.5) For ML186(DC) (3.5Y8/0.5) For ML280Elite (DC)(3.5Y8/0.5) For ML184 Turbo+(DC) (3.5Y8/0.5) For ML186 (0.7P2.3/1.0)
14	42583502	Operation Panel	1	3	
15	42583402 42583404	Main board Main board	1 1	3 3	For ML186 For ML280Elite /ML184Turbo+
16	42559901 42560001	Power supply unit (120V) Power supply unit (230V)	1 1	3 3	
17					
18					
19	42639501 42589201 42589101	Label LOGO Label LOGO Label LOGO	1 1 1	3 3 3	For ML186 For ML280Elite For ML184Turbo+

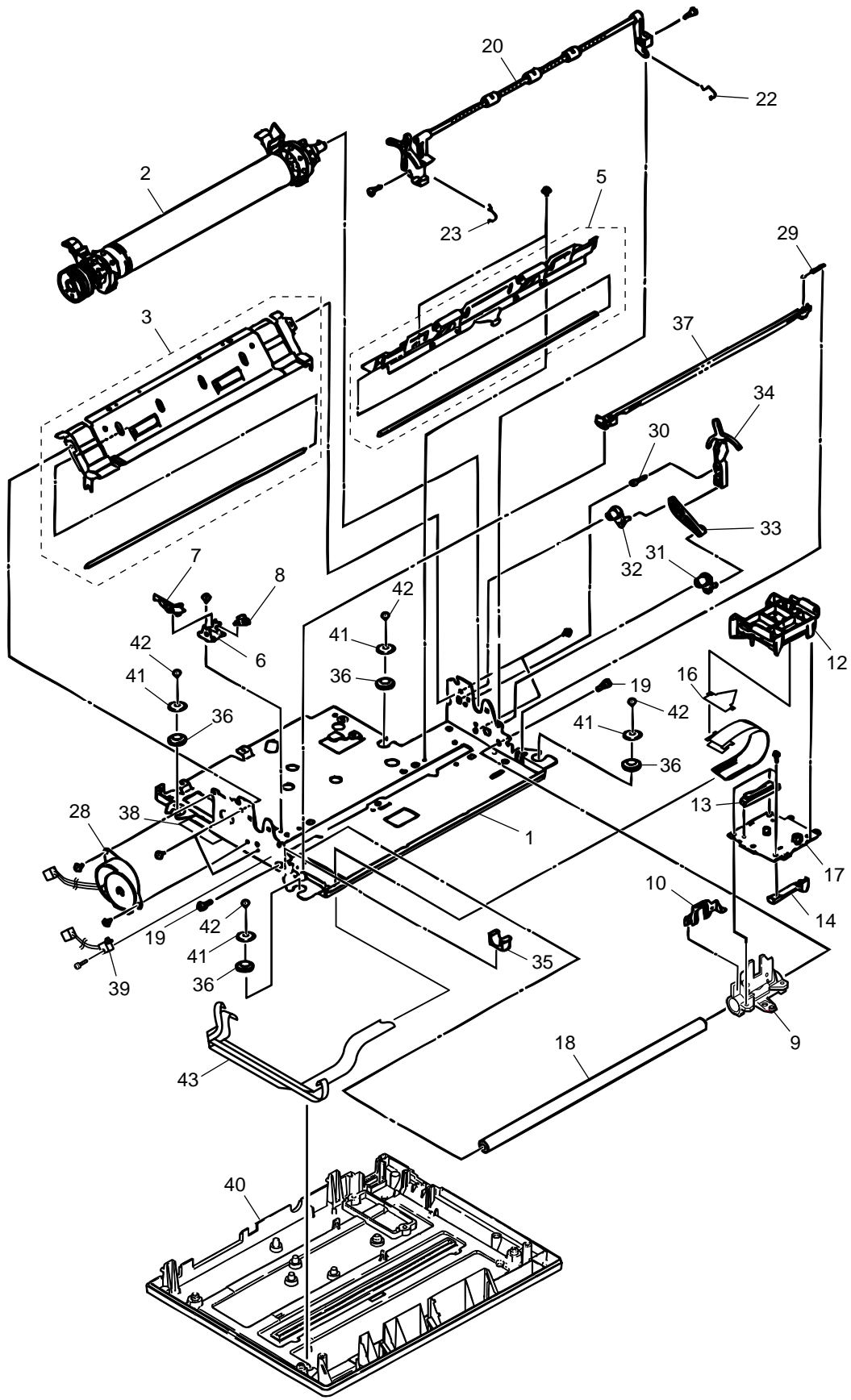


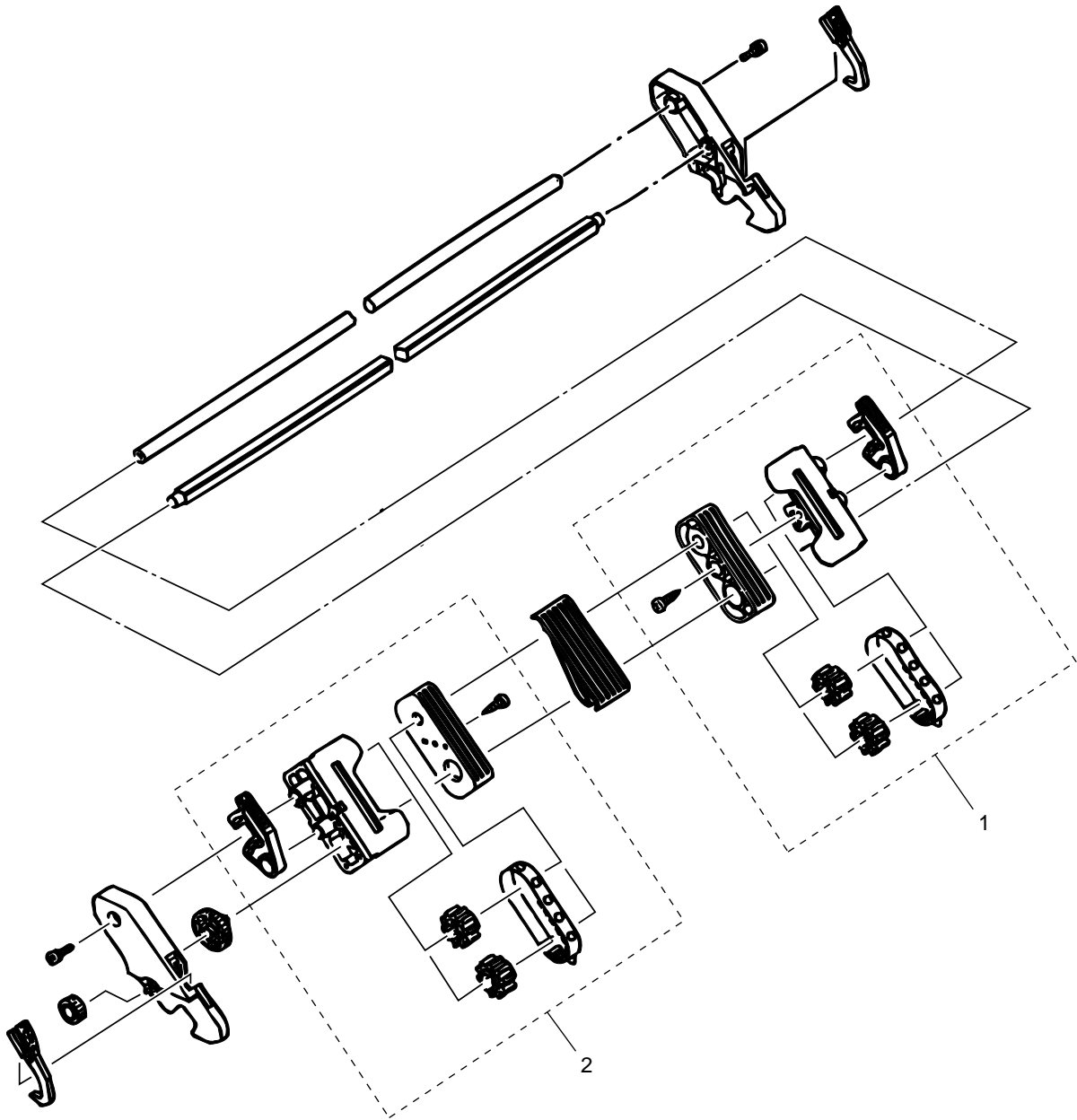
Figure 9-2 Printer Mechanism

Table 9-2 Printer Mechanism (1/2)

No.	Parts Number	Description	Q'ty	Q'ty of Spare Parts / Year	Remarks
				Unit : 500	
1	42612501	Base Frame	1	1	
2	41766301	Platen Assy	1	3	
3	3PA4025-1027G005	Paper Chute Assy	1	3	
4					
5	41996701	Bottom Paper Guide Assy	1	5	
6	41858101	Near-End Bracket	1	1	
7	4PB4025-1039P001	Near-End Lever	1	3	
8	4PB4025-1040P001	Bottom Near-End Lever	1	3	
9	4PB4025-2829G001	Carriage frame set	1	3	
10	4PP4025-1048P001	Head Clamp	1	3	
11					
12	42594301	Ribbon Feed Gear Assy	1	3	
13	3PB4044-5125P001	15pin Connector	1	3	
14	4PB4025-1088P001	Slider	1	5	
15					
16	42585601	Cable Retainer	1	1	
17	42558801	Space Motor Assy	1	5	
18	42128801	Carriage Shaft	1	3	
19	4PB4025-1090P001	Main Shaft Screw	2	2	
20	42594401	Indicator assembly	1	3	PMS Cool Gray 7C Black
	42594403	Indicator assembly	1	3	
21					
22	4PB4025-1097P001	Pressure Front Spring (R)	1	5	
23	4PB4025-1139P001	Pressure Roller Spring (L)	1	5	
24					
25					
26					
27					
28	42581701	LF Motor	1	5	
29	4PB4025-1106P001	Tension Spring	1	3	
30	4PB4025-1107P001	Release Post	1	3	
31	4PB4025-1108P001	Release Link (Front)	1	3	
32	4PB4025-1109P001	Release Link (Rear)	1	3	
33	4PB4025-1110P001	Release Link	1	3	
34	42014501	Release Lever	1	3	PMS Cool Gray 7C Black
	42014502	Release Lever	1	3	
35	42583701	Stopper Rubber	1	3	
36	4PB4025-1159P001	Grommet	4	3	

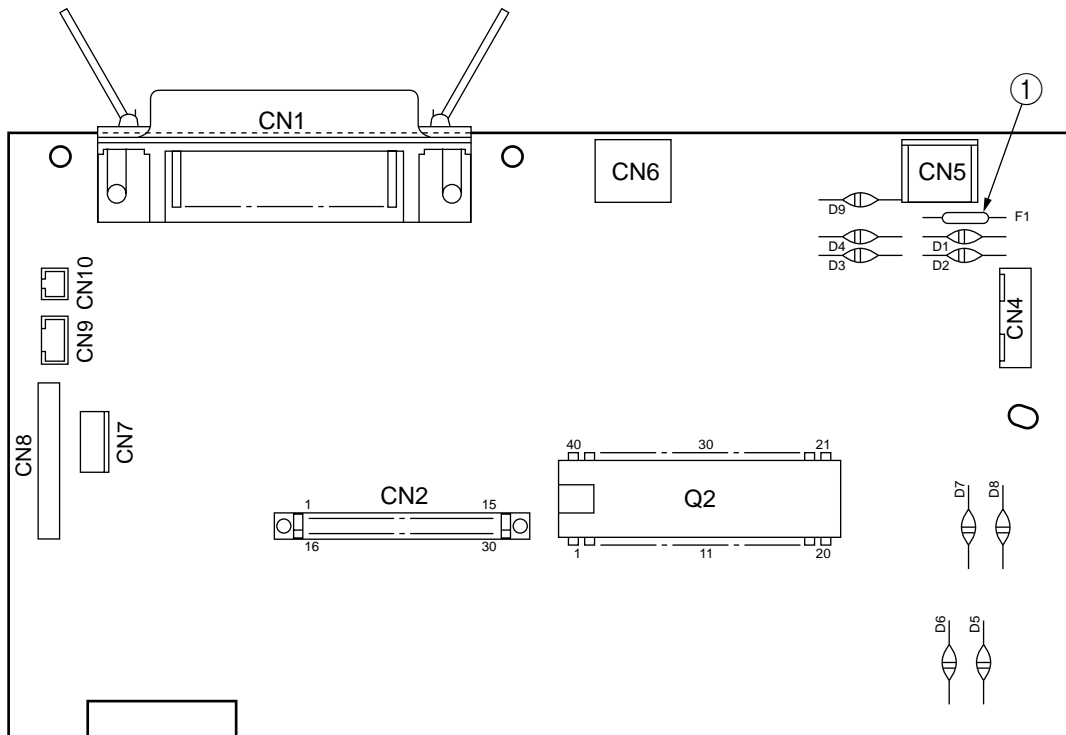
Table 9-2 Printer Mechanism (2/2)

No.	Parts Number	Description	Q'ty	Q'ty of Spare Parts / Year	Remarks
				Unit : 500	
37	3PB4025-1049P001	Space Rack	1	5	
38	42559201	Film - Head Cable	1	3	
39	42598301	Bail Sensor Assy	1	10	For ML280Elite /ML184Turbo+
40	42594001	Lower Cover Assy	1	3	3.5Y8/0.5 For ML280Elite (DC)(3.5Y8/0.5) For ML186 (0.7P2.3/1.0)
	42594002	Lower Cover Assy	1	3	
	42594004	Lower Cover Assy	1	3	
41	4PP4025-1152P001	Washer	4	3	
42	4PB4083-5670P013	P Tight Screw	4	1	ℓ=12mm
43	42597801	Cable Assy	1	10	
	(Option)				
	42816301	SS RS232C (SLHI-) PCB	1	3	For ML186
	42816302	SS RS232C (SLHI-) PCB	1	3	For ML184Turbo+
	42816303	SS RS232C (SLHI-) PCB	1	3	For ML280Elite



No.	Parts Number	Description	Q'ty	Q'ty of Spare Parts / Year	Remarks
				Unit : 500	
1	3PB4025-2667P001	PIN TRACTOR(R) ASSY	1	3	
2	3PB4025-2668P001	PIN TRACTOR(L) ASSY	1	3	

Figure 9-3 Pin Tractor Unit



No.	Parts Number	Description	Q'ty	ODA Parts No.	Remarks
1	540A2208S1302	Fuse 3 A	1		

Figure 9-4 REO-Printed-Circuit Board