

This document was provided by

Compu*Direct*, Inc.

As a service to our customers.

If you received this file from anywhere other than

<http://www.printermalls.com>

please let us know at

info@printermalls.com

APPENDIX C SPARE PARTS LIST

Printer Unit	Figure 9-1
Printer Mechanism	Figure 9-2
Pin Tractor Unit	Figure 9-3
REO-Printed-Circuit Board	Figure 9-4

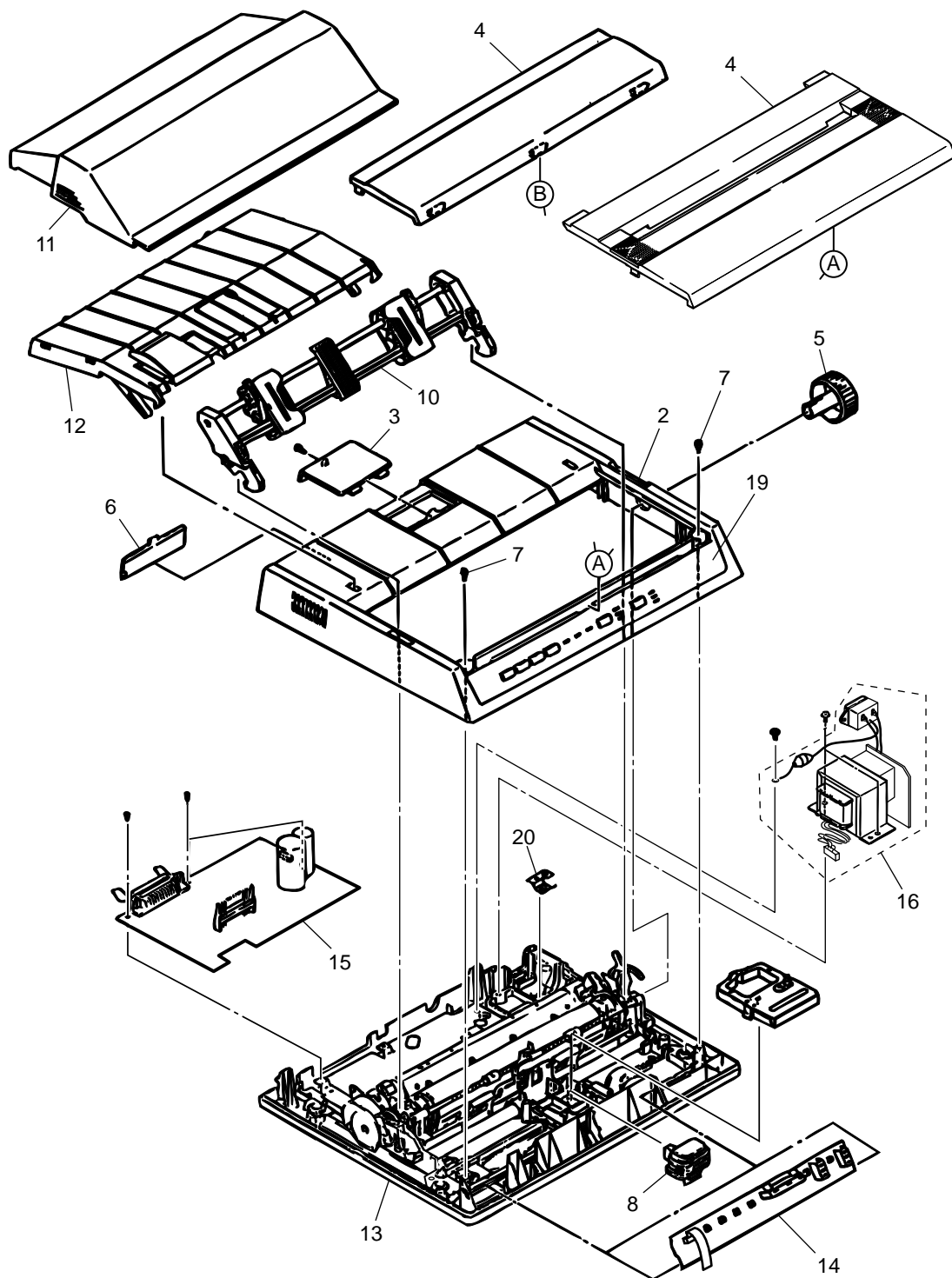


Figure 9-1 Printer Unit

Table 9-1 Print Unit

No.	Parts Number	Description	Q'ty	Q'ty of Spare Parts / Year	Remarks
				Unit : 500	
1					
2	42014601	Upper Cover (Calked)	1	3	3.5Y8/0.5
3	42014802	Dip Switch (Access) Cover	1	3	0.7P2.3/1.0
4	42594601-A	Access Cover (Affixed)	1	3	3.5Y8/0.5
	42178701-B	Access Cover (Tractor)	1	3	3.5Y8/0.5
5	40673402	Platen Knob	1	3	PMS Cool Gray 7C
6	42019601	Connector Cover	1	3	3.5Y8/0.5
7	42316601	P Tight Screw	2	1	ℓ =12mm
8	50063802	Print Head	1	9	
9					
10	50044706	Pin Tractor Assy	1	3	
11	53450001	Acoustic Cover	1	3	
12	42017901	Sheet Separator Assembly	1	3	3.5Y8/0.5
13	42593801	Mechanical unit Assy	1	3	For ML186 (3.5Y8/0.5)
14	42583502	Operation Panel	1	3	
15	42583402	Main board	1	3	For ML186
	42583404	Main board	1	3	For ML280Elite /ML184Turbo+
16	42559901	Power supply unit (120V)	1	3	
	42560001	Power supply unit (230V)	1	3	
17					
18					
19	42639501	Label LOGO	1	3	For ML186

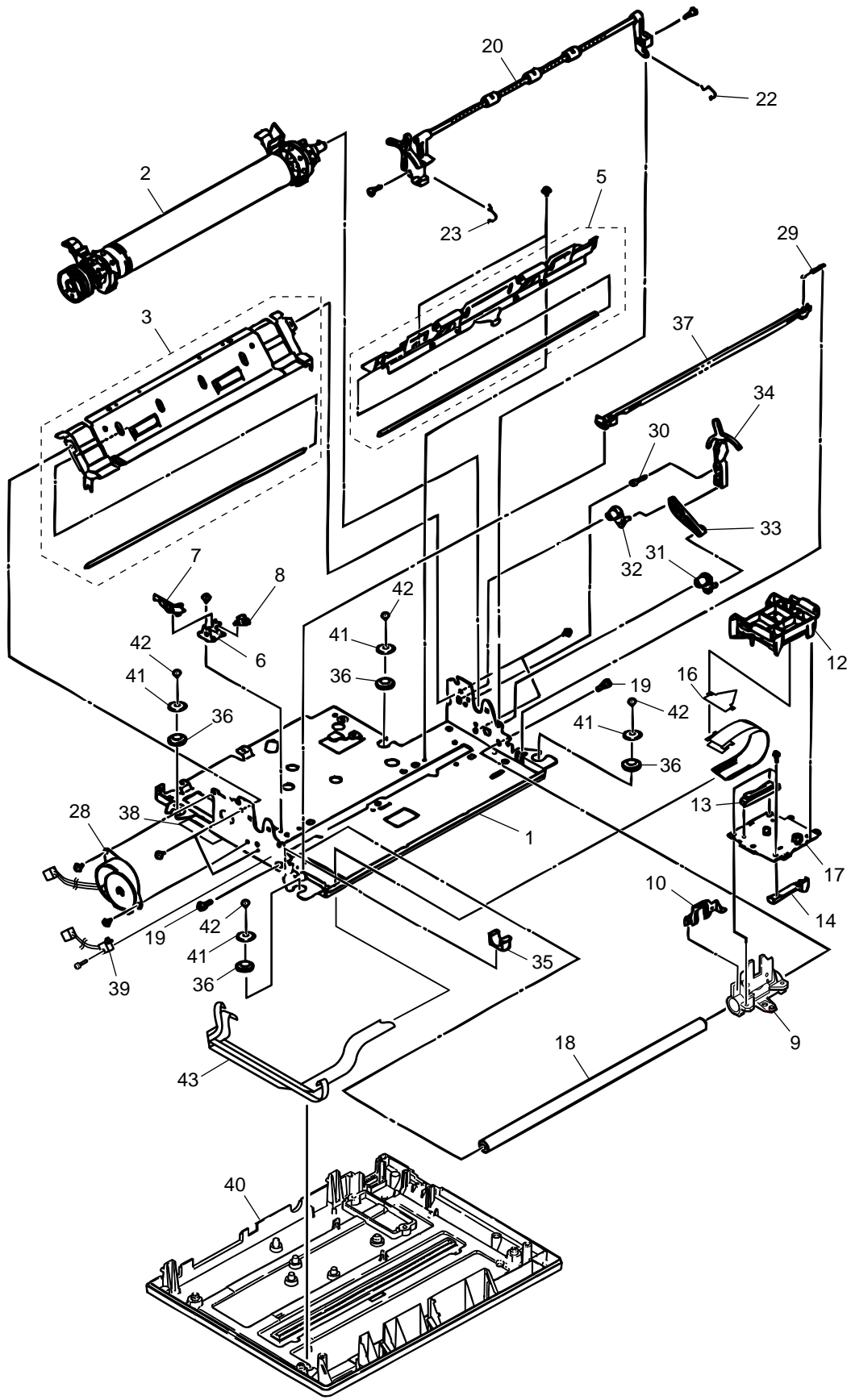


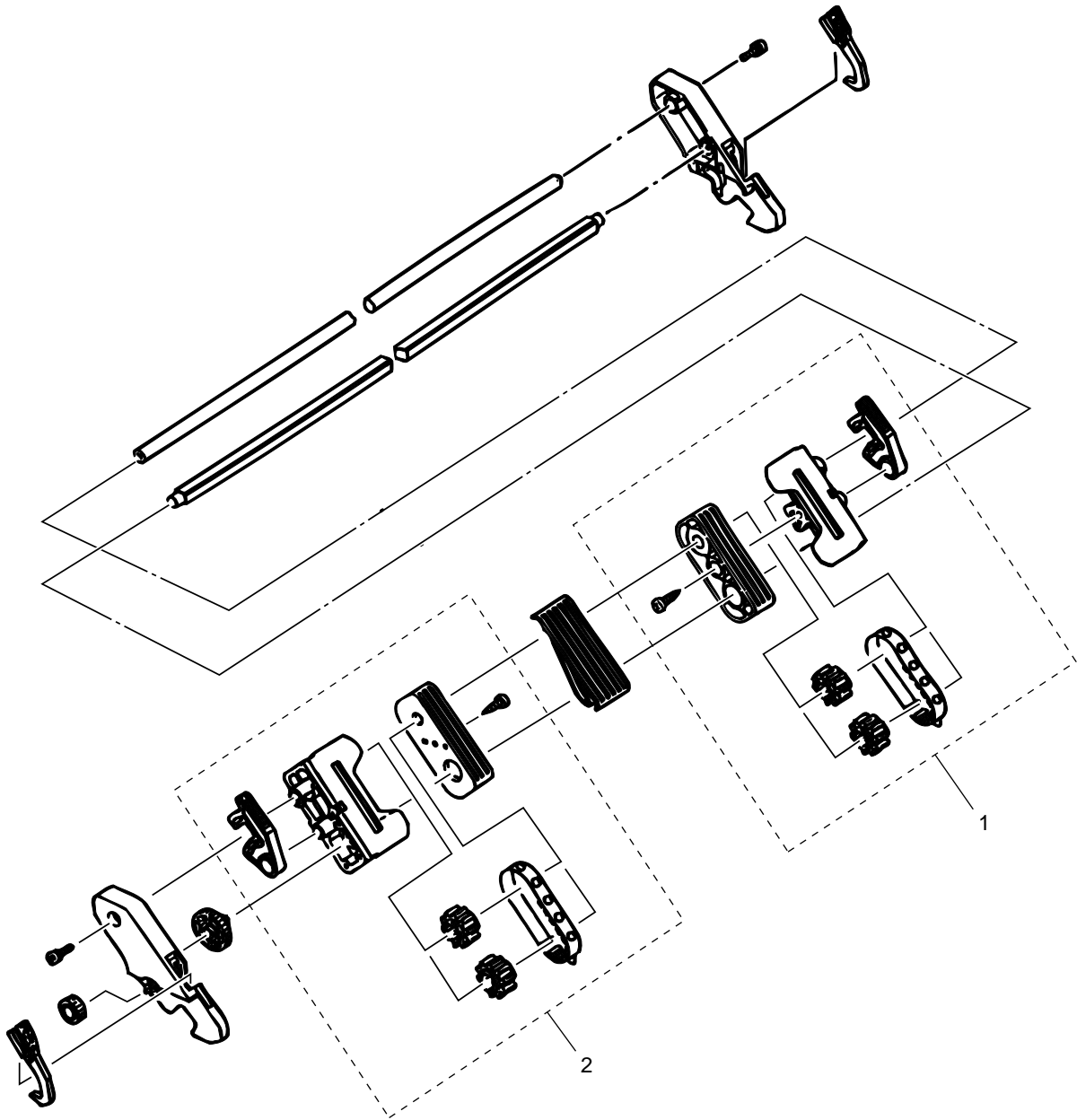
Figure 9-2 Printer Mechanism

Table 9-2 Printer Mechanism (1/2)

No.	Parts Number	Description	Q'ty	Q'ty of Spare Parts / Year	Remarks
				Unit : 500	
1	42612501	Base Frame	1	1	
2	41766301	Platen Assy	1	3	
3	50039105	Paper Chute Assy	1	3	
4					
5	41996701	Bottom Paper Guide Assy	1	5	
6	41858101	Near-End Bracket	1	1	
7	53050701	Near-End Lever	1	3	
8	54051701	Bottom Near-End Lever	1	3	
9	53490401	Carriage frame set	1	3	
10	50702901	Head Clamp	1	3	
11					
12	42594301	Ribbon Feed Gear Assy	1	3	
13	56731301	15pin Connector	1	3	
14	51001801	Slider	1	5	
15					
16	42585601	Cable Retainer	1	1	
17	42558801	Space Motor Assy	1	5	
18	42128801	Carriage Shaft	1	3	
19	50310001	Main Shaft Screw	2	2	
20	42594401	Indicator assembly	1	3	PMS Cool Gray 7C Black
	42594403	Indicator assembly	1	3	
21					
22	50907301	Pressure Front Spring (R)	1	5	
23	50908501	Pressure Roller Spring (L)	1	5	
24					
25					
26					
27					
28	42581701	LF Motor	1	5	
29	50907201	Tension Spring	1	3	
30	50605101	Release Post	1	3	
31	51302401	Release Link (Front)	1	3	
32	51302501	Release Link (Rear)	1	3	
33	51302601	Release Link	1	3	
34	42014501	Release Lever	1	3	PMS Cool Gray 7C Black
	42014502	Release Lever	1	3	
35	42583701	Stopper Rubber	1	3	
36	50512201	Grommet	4	3	

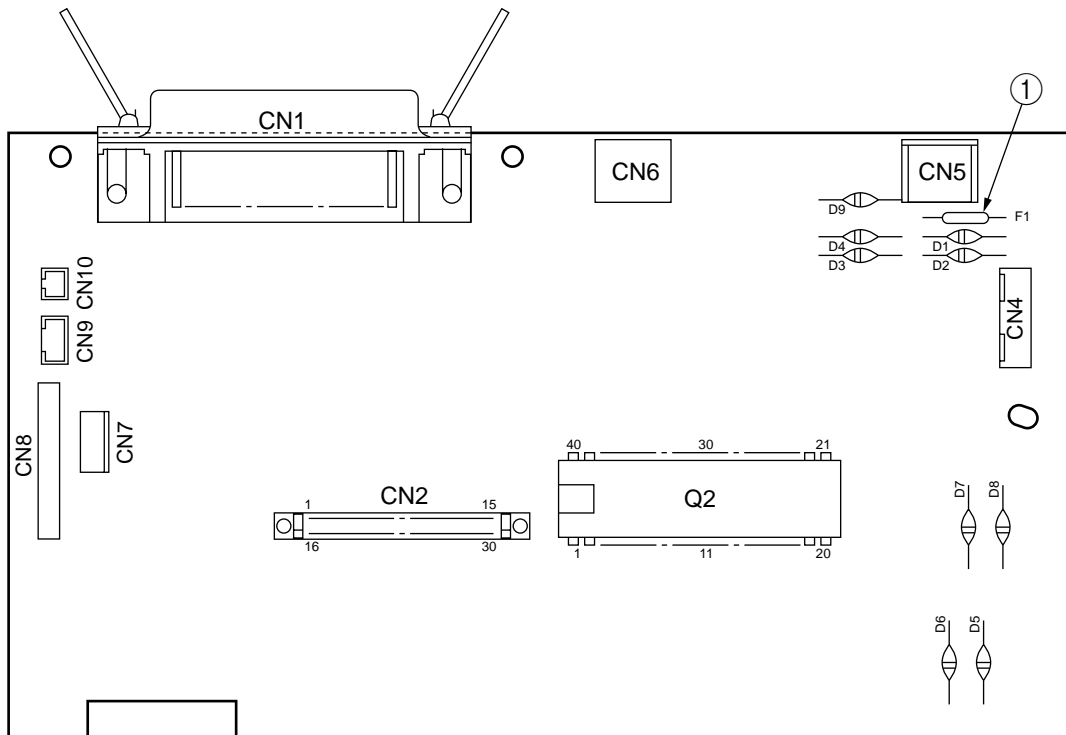
Table 9-2 Printer Mechanism (2/2)

No.	Parts Number	Description	Q'ty	Q'ty of Spare Parts / Year	Remarks
				Unit : 500	
37	53447401	Space Rack	1	5	
38	42559201	Film - Head Cable	1	3	
39	42598301	Bail Sensor Assy	1	10	For ML280Elite /ML184Turbo+
40	42594001	Lower Cover Assy	1	3	3.5Y8/0.5 For ML280Elite (DC)(3.5Y8/0.5) For ML186 (0.7P2.3/1.0)
	42594002	Lower Cover Assy	1	3	
	42594004	Lower Cover Assy	1	3	
41	50512701	Washer	4	3	
42	50318713	P Tight Screw	4	1	ℓ=12mm
43	42597801	Cable Assy	1	10	
	(Option)				
	42816301	SS RS232C (SLHI-) PCB	1	3	For ML186



No.	Parts Number	Description	Q'ty	Q'ty of Spare Parts / Year	Remarks
				Unit : 500	
1	3PB4025-2667P001	PIN TRACTOR(R) ASSY	1	3	
2	3PB4025-2668P001	PIN TRACTOR(L) ASSY	1	3	

Figure 9-3 Pin Tractor Unit



No.	Parts Number	Description	Q'ty	ODA Parts No.	Remarks
1	540A2208S1302	Fuse 3 A	1		

Figure 9-4 REO-Printed-Circuit Board