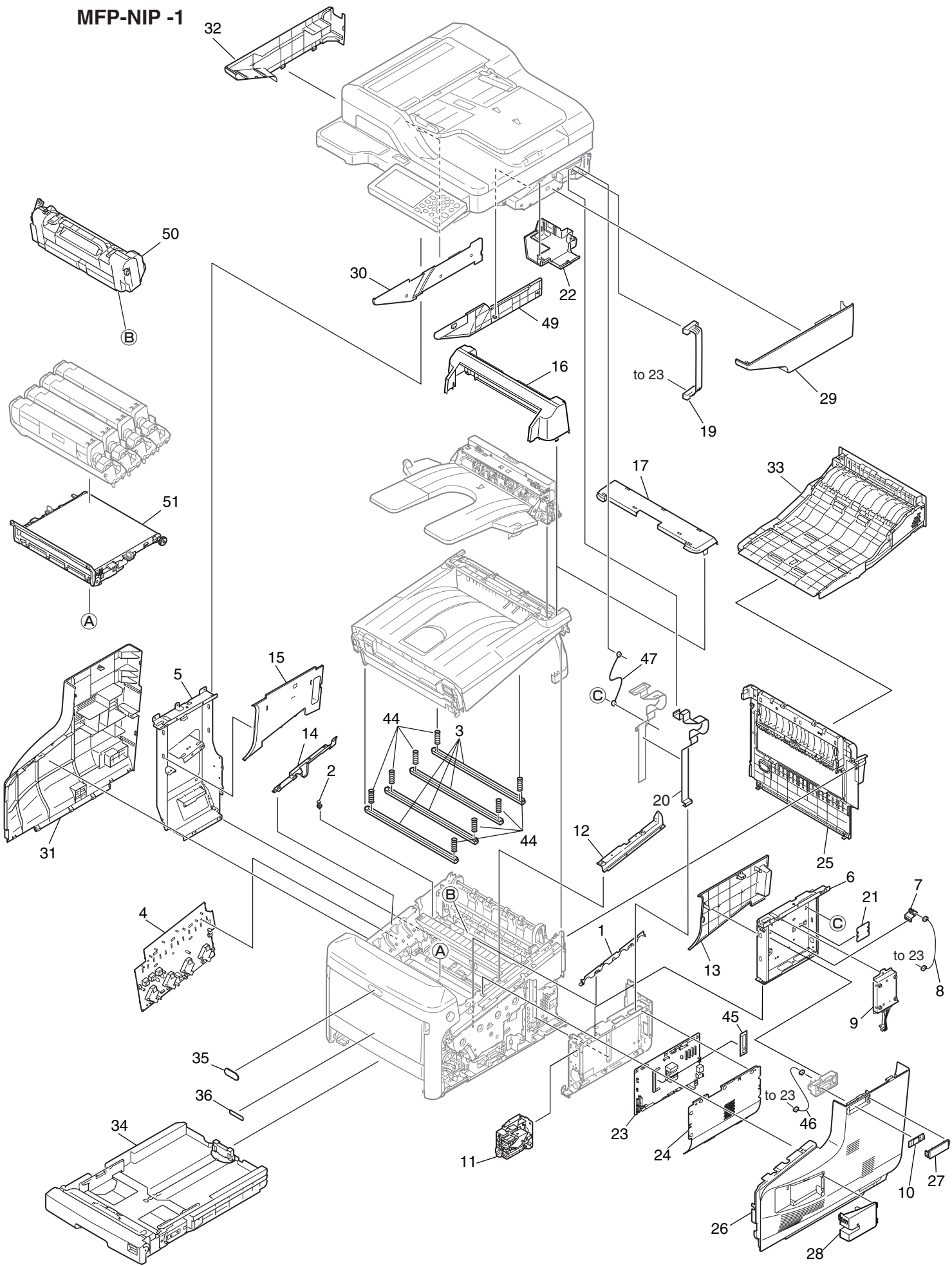


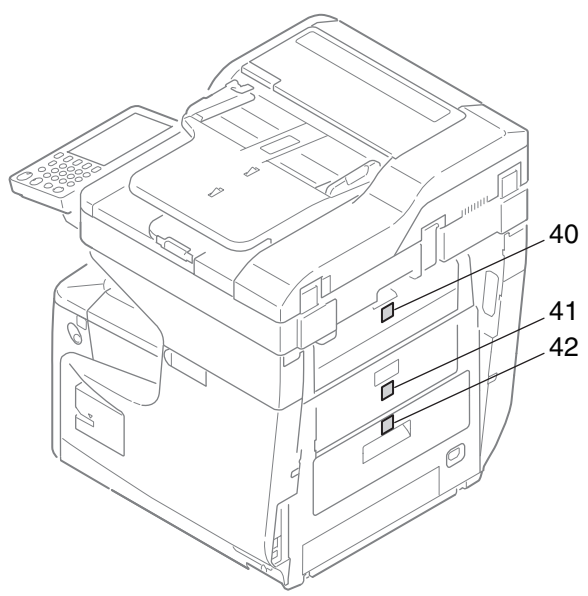
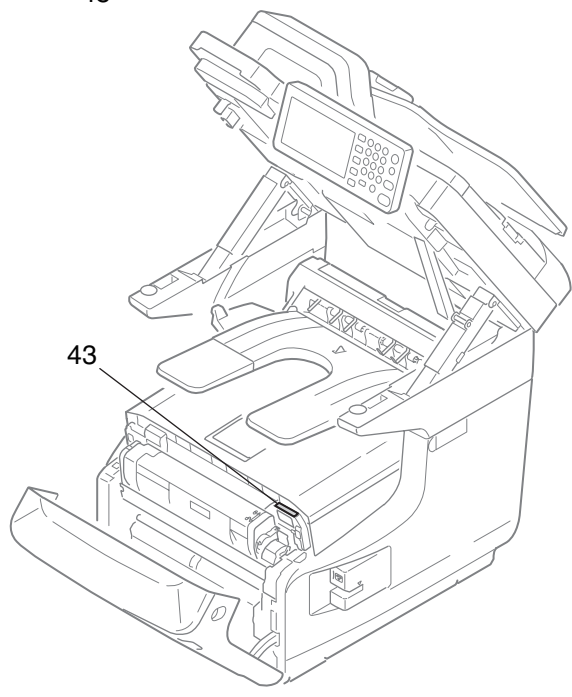
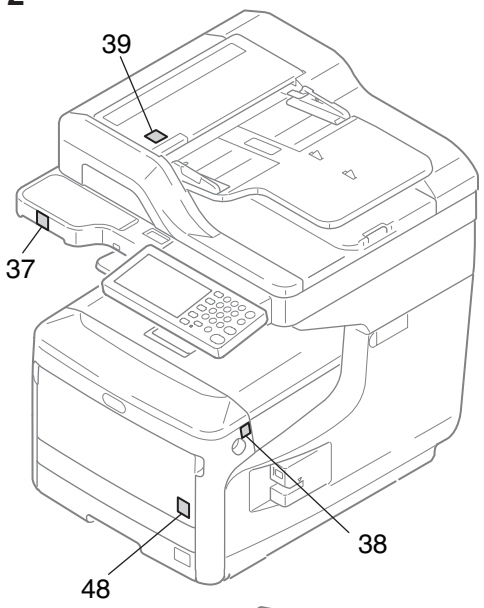
**MC873dn  
ES8473 MFP  
Illustrated Spare  
Parts Manual**

020117E

# MFP-NIP -1



### MFP-NIP -2



(37)



(38)



(39)



(40)



(41)



(42)



(43)



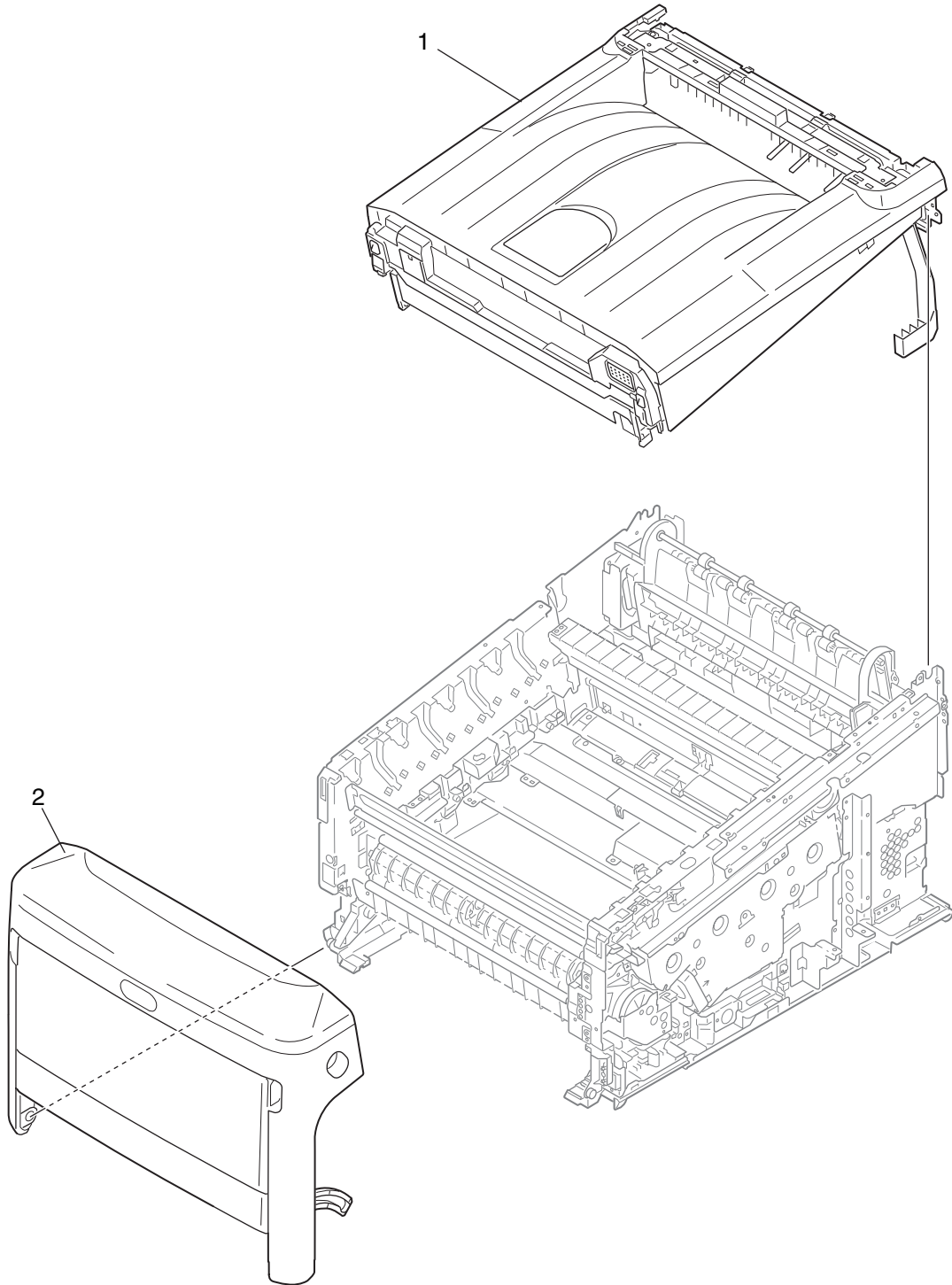
(48)



Unit name	No.	P/N	Part name	Qty	Remarks
MFP NIP	1		Plate-Lockout	1	
MFP NIP	2		Post-Lock-Fuser	1	
MFP NIP	3	44811401	LED Head Unit-53TRG	4	
MFP NIP	4	45765201	OR-Board-EHV	1	
MFP NIP	5		Plate-Stay(L)	1	
MFP NIP	6		Plate-Stay(R)	1	
MFP NIP	7		Plate Assy.-Sensor	1	
MFP NIP	8		CONN Cord-JST3P-AMP3P(SCAN-OP)	1	
MFP NIP	9	45855801	HDD-Assy	1	
MFP NIP	10	45711601	Wireless LAN Module (DNUB-O1)	1	
MFP NIP	11	45856901	Stapler Unit	1	
MFP NIP	12		Cover-Inner(R-Sub)	1	
MFP NIP	13		Cover-Stay(R)	1	
MFP NIP	14		Cover Assy.-Inner(L-Sub)	1	
MFP NIP	15		Cover-Stay(L)	1	
MFP NIP	16		Cover-Top(2Bin)	1	
MFP NIP	17		Cover-Blind-Top	1	
MFP NIP	19		CONN Cord-JST14-JST14(CU-SU POW)	1	
MFP NIP	20		Cable-CU-SU_Bend	1	
MFP NIP	21		Film-Clump(FB)	1	
MFP NIP	22		Cover-Bottom(Sub)	1	
MFP NIP	23	45816621	Maintenance Board ODA MC873	1	
MFP NIP	23	45816627	Maintenance Board ODA ES8473	1	
MFP NIP	23	45816622	Maintenance Board ODB MC873	1	
MFP NIP	24		Plate-Shield(Board)	1	
MFP NIP	25	45859601	Cover Assy.-Rear	1	
MFP NIP	26		Cover-Side-R	1	
MFP NIP	27	45829001	Cover-Access(W-LAN)	1	
MFP NIP	28	45828801	Cover-Stapler	1	
MFP NIP	29		Cover-Side(R-Upper)	1	
MFP NIP	30	45828601	Cover-Hinge(L)	1	
MFP NIP	31		Cover Assy.-Side(L)	1	
MFP NIP	32		Cover-Side(L-Upper)	1	
MFP NIP	33		Duplex Unit-_spare	1	
MFP NIP	34		Cassette Assy.	1	
MFP NIP	34		Cassette Assy.-J	1	
MFP NIP	35		Plate-Logo	1	
MFP NIP	36		Plate-Name(MC873)	1	
MFP NIP	36		Plate-Name(ES8473)	1	
MFP NIP	37		Label-Maintenance(A)	1	
MFP NIP	38		Label-Maintenance(B)	1	
MFP NIP	39		Label-Maintenance(D)	1	
MFP NIP	40	45936304	Label-Maintenance(E)	1	
MFP NIP	41	45936305	Label-Maintenance(F)	1	
MFP NIP	42		Label-Maintenance(G)	1	
MFP NIP	43		Label-Maintenance(C)	1	
MFP NIP	44		Spring-Head	1	
MFP NIP	45		Board-Memory DDR2 1GB	1	
MFP NIP	46	45752003	CONN Cord-JST6P-JST6P	1	

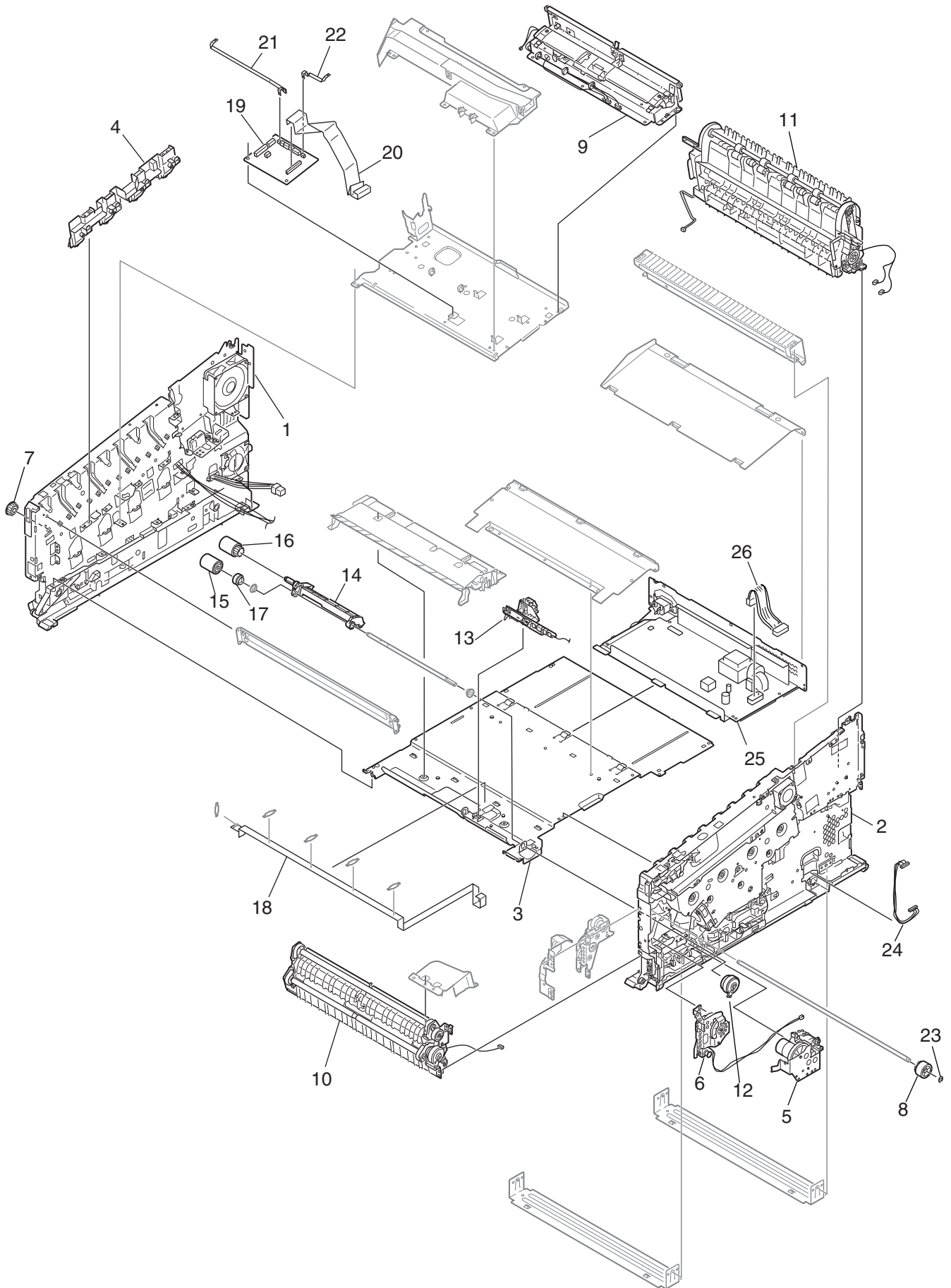
Unit name	No.	P/N	Part name	Qty	Remarks
MFP NIP	47	45864501	CONN Cord-JST1-JST1(SU-Pr FG)	1	
MFP NIP	48				

# Printer-Unit



<b>Unit name</b>	<b>No.</b>	<b>P/N</b>	<b>Part name</b>	<b>Qty</b>	<b>Remarks</b>
Printer Unit	1	45861701	Cover Assy.-Top	1	
Printer Unit	2	45861801	Cover Assy.-Front	1	

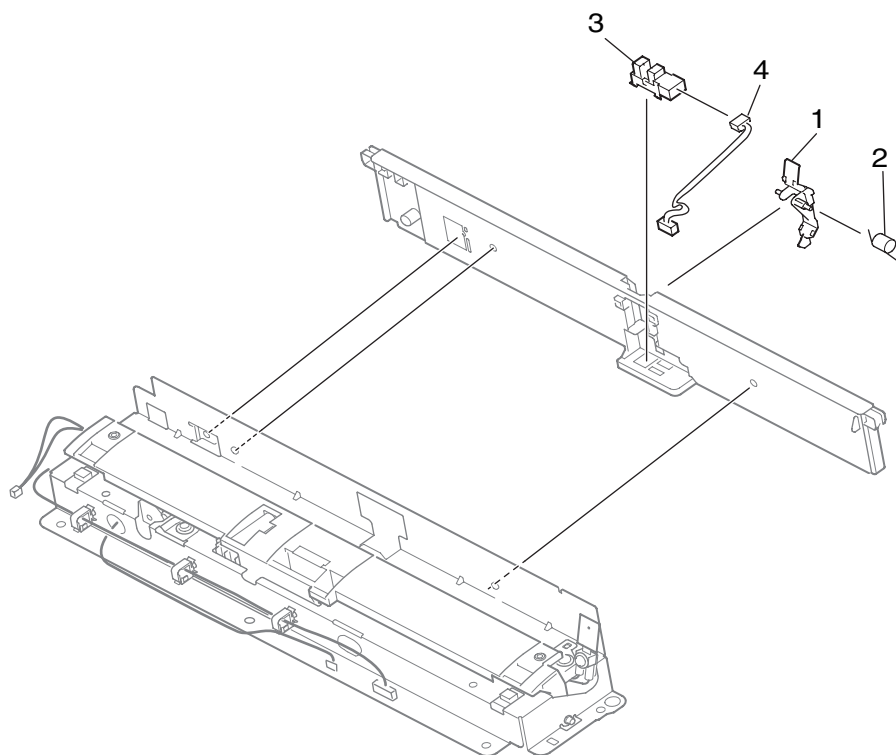
# Frame-Assy





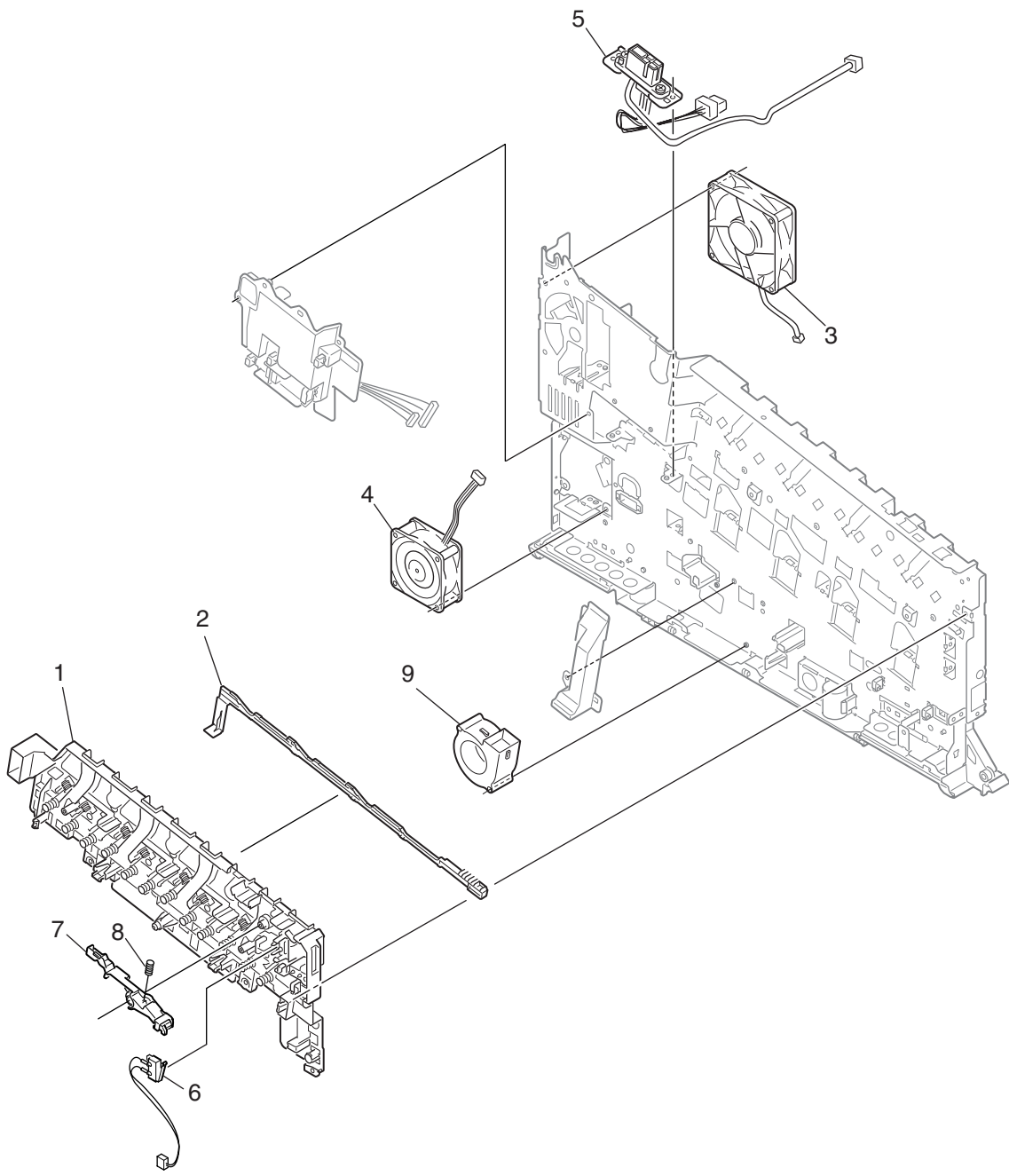
Unit name	No.	P/N	Part name	Qty	Remarks
Frame Assy	1	44723603	Plate Assy.-Side-L	1	
Frame Assy	2	44724303	Plate Assy.-Side-R	1	
Frame Assy	3	44694501	Plate-Base	1	
Frame Assy	4	44817902	Frame-Assy-Contact	1	
Frame Assy	5	44725901	Gear Assy.-Hopping	1	
Frame Assy	6	44726401	Gear Assy.-ID-Liftup	1	
Frame Assy	7	44696201	Gear-Liftup-C	1	
Frame Assy	8	44819801	Gear-Liftup-D	1	
Frame Assy	9	44817201	Sensor-Assy.-Regist	1	
Frame Assy	10	44726701	Roller Assy.-Regist	1	
Frame Assy	11	45861101	Guide Assy_Eject	1	
Frame Assy	12	44690201	Clutch-Hop	1	
Frame Assy	13	44725602	Holder-SNS-Assy	1	
Frame Assy	14		Frame Assy.-PickUP	1	
Frame Assy	15		Roller-Feed-NOW	1	
Frame Assy	16		Roller-Pick-Up	1	
Frame Assy	17		Gear-Feed	1	
Frame Assy	18	45864401	FFC-HVOLT(Bend)	1	
Frame Assy	19	44886701	OR-Board Assy. -P6Z	1	
Frame Assy	20		FFC-Relay(Bend)	1	
Frame Assy	21		FFC-RCR-Bend	1	
Frame Assy	22		FFC-LCR-Bend	1	
Frame Assy	23		Ring ODC # RE4-SK	1	
Frame Assy	24		CONN Cord-JST8P-JST8P	1	
Frame Assy	25	44734802	LV-Pow-Assy()	1	
Frame Assy	26		CONN Cord-JST24P-JST24P	1	

### Sensor-Assy.-Fuser-A



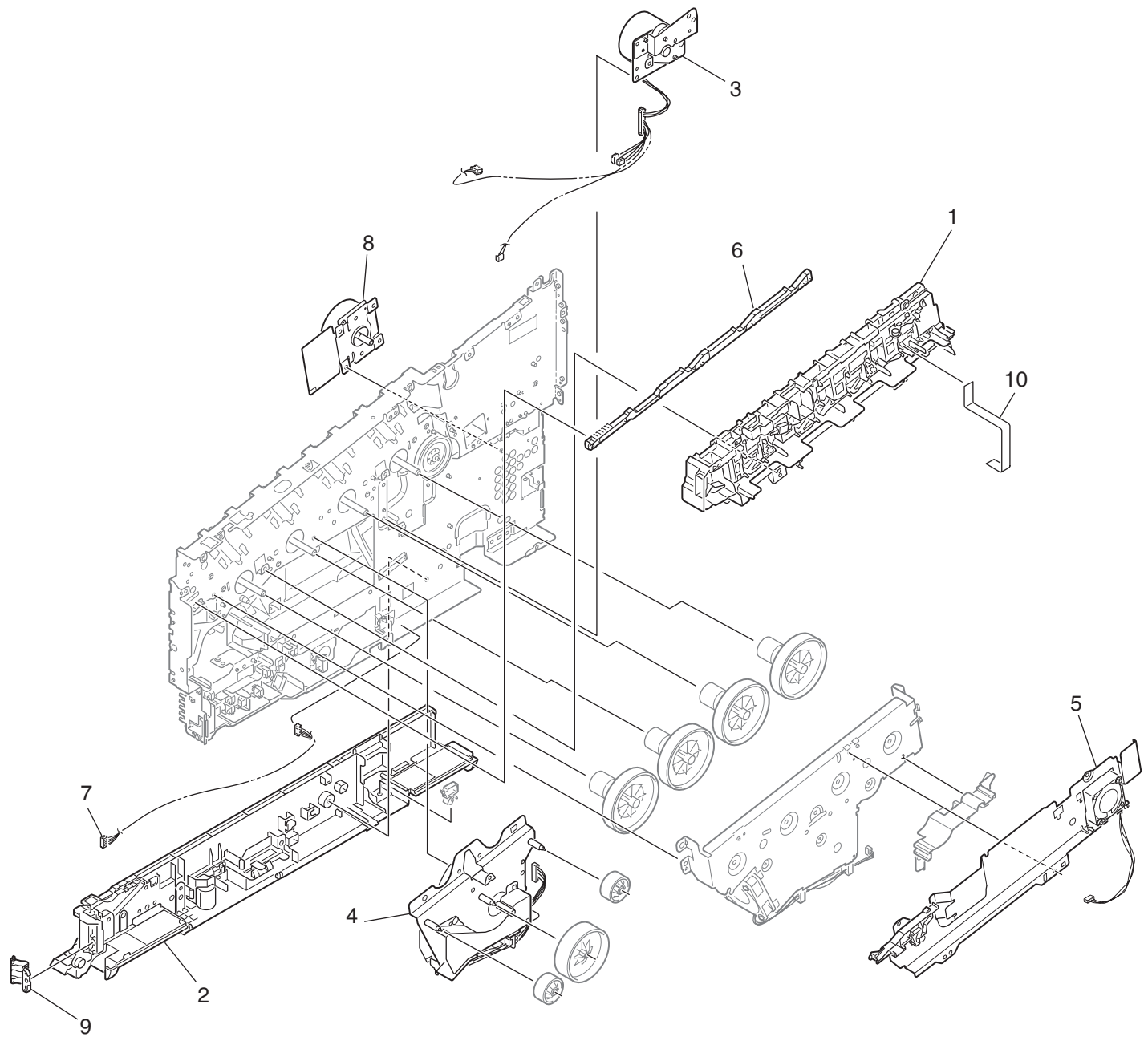
<b>Unit name</b>	<b>No.</b>	<b>P/N</b>	<b>Part name</b>	<b>Qty</b>	<b>Remarks</b>
Sensor-Assy-Fuser-A	1	44896201	Lever-Sensor-FUIN-Assy	1	
Sensor-Assy-Fuser-A	2	43334501	Spring-Torsion	1	
Sensor-Assy-Fuser-A	3	45723601	GP1A173LCS3F	1	
Sensor-Assy-Fuser-A	4		CONN Cord-AMP3P-AMP4P	1	

# Plate-Assy-Side-L



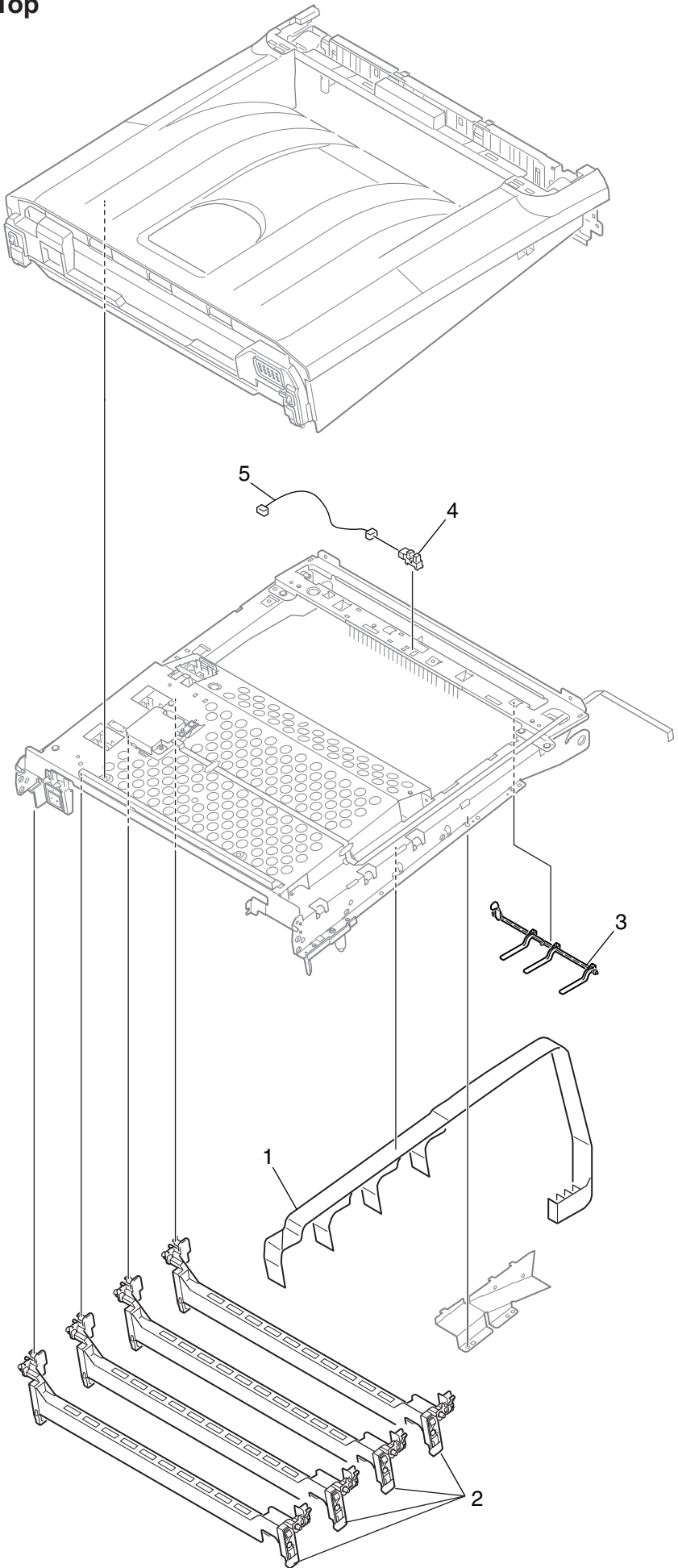
Unit name	No.	P/N	Part name	Qty	Remarks
Plate Assy.-Side-L	1		Guide Assy.-Side-L	1	
Plate Assy.-Side-L	2		Rack-L	1	
Plate Assy.-Side-L	3		U80T24MUA7-53J10 ODC # 2702071P0001 Fan: Motor	1	
Plate Assy.-Side-L	4		U60T24MS7A7-53J101 ODC # 2702071P0005 Fan: Motor	1	
Plate Assy.-Side-L	5		Plate Assy.-Conecter	1	
Plate Assy.-Side-L	6		CONN Cord-AMP4P-SW	1	
Plate Assy.-Side-L	7	45854801	Lever-Sensor-Top-Assy	1	
Plate Assy.-Side-L	8	44683101	Spring-Stopper	1	

# Plate-Assy-Side-R



<b>Unit name</b>	<b>No.</b>	<b>P/N</b>	<b>Part name</b>	<b>Qty</b>	<b>Remarks</b>
Plate Assy.-Side-R	1	44724402	Guide Assy.-Side-R	1	Includes toner sensor board
Plate Assy.-Side-R	2	44724503	Guide Assy.-Cassette-R	1	
Plate Assy.-Side-R	3	44724802	Motor Assy.-Belt	1	
Plate Assy.-Side-R	4	44805201	Motor Assy.-ID	1	
Plate Assy.-Side-R	5		Plate Assy.-Tonner	1	
Plate Assy.-Side-R	6	44688601	Rack-R	1	
Plate Assy.-Side-R	7		CONN Cord--AMP5P- AMP5P	1	
Plate Assy.-Side-R	8	44725301	Motor-DC-FU	1	
Plate Assy.-Side-R	9	44724701	Lever-Paper-Size	1	
Plate Assy.-Side-R	10	44907001	FFC-SSNS-Bend	1	

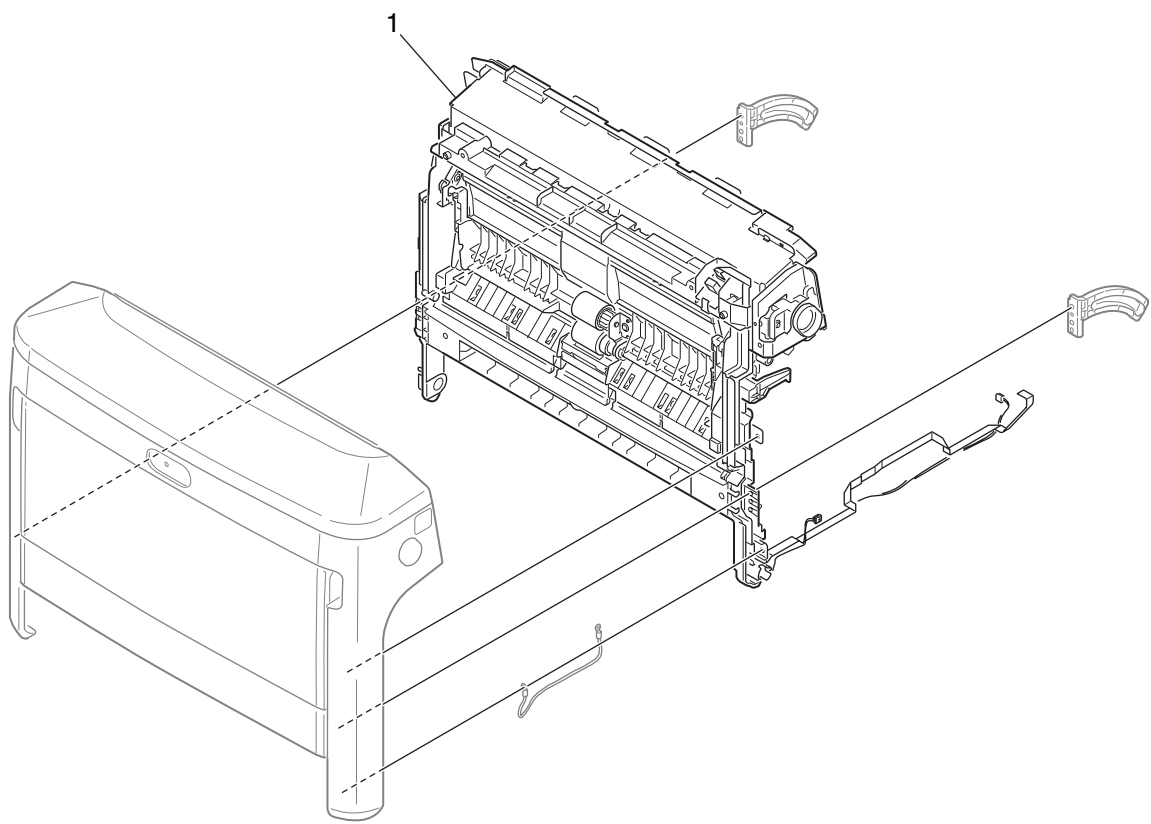
### Cover Assy.-Top



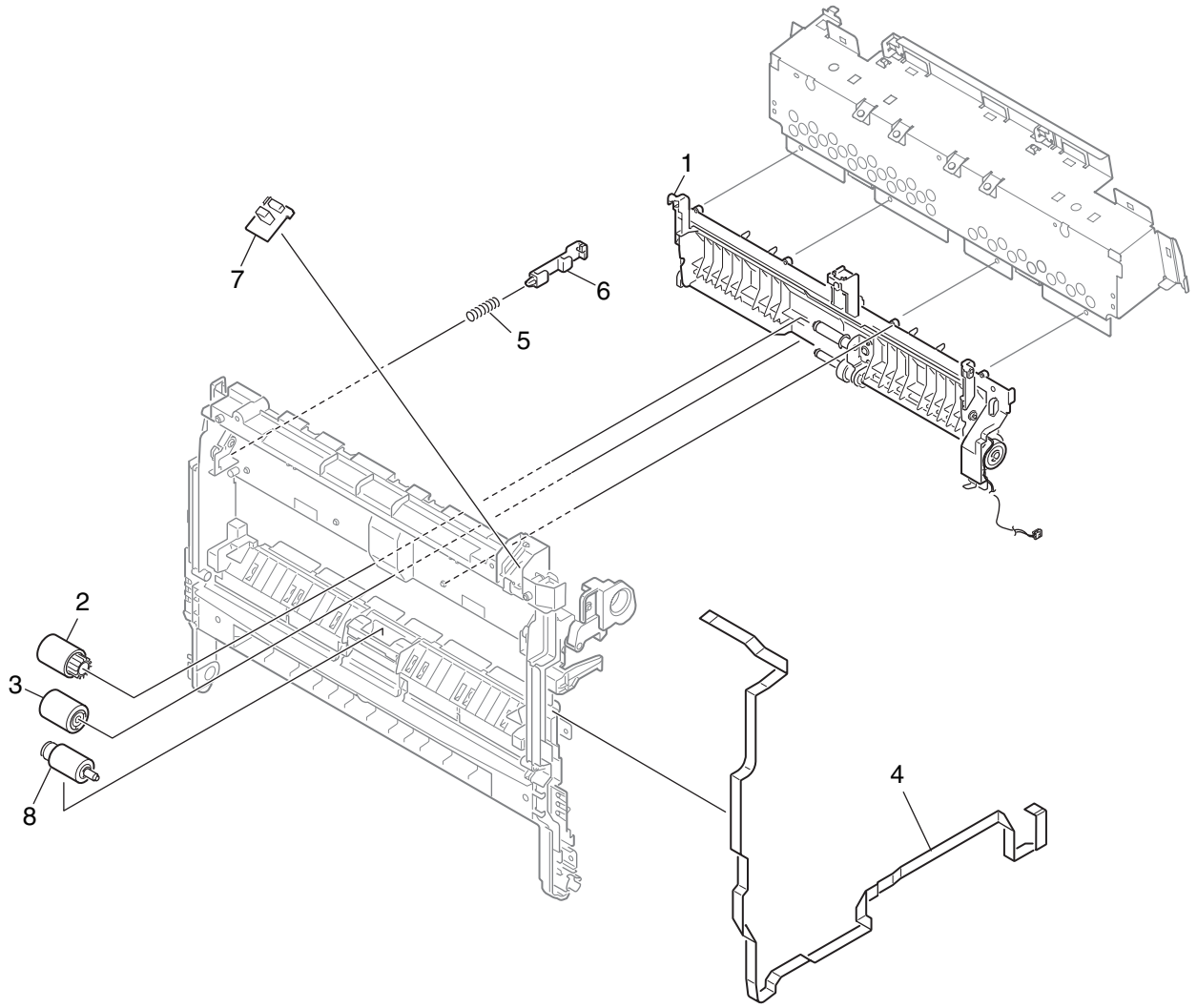


Unit name	No.	P/N	Part name	Qty	Remarks
Cover Assy.-Top	1	45861601	Cable-Assy.-Head	1	
Cover Assy.-Top	2	44729801	Holder-Head-Assy	4	
Cover Assy.-Top	3	45843801	Lever-SNS(Stuckfull)	1	
Cover Assy.-Top	4	55631302	GP1A173LCS3F ODC # 6520028M0002 Photocoupler	1	
Cover Assy.-Top	5		CONN Cord-JST3P-AMP3P	1	

### Cover Assy.-Front

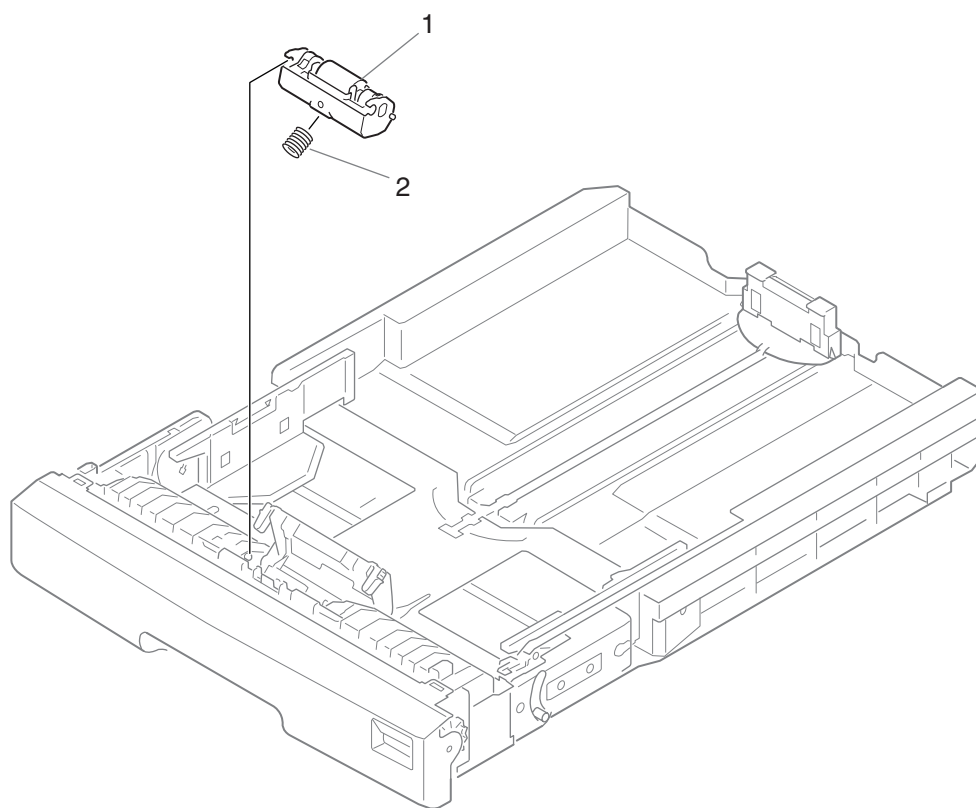


# Frame Assy.-Front



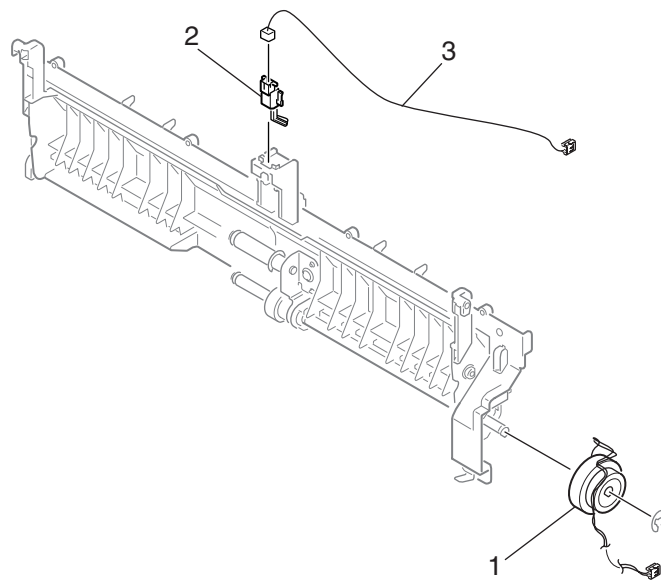
<b>Unit name</b>	<b>No.</b>	<b>P/N</b>	<b>Part name</b>	<b>Qty</b>	<b>Remarks</b>
Cover Assy.-Front	1	44730902	Frame Assy.-Front	1	
Frame Assy.-Front	1		Guide-Sheet-Assy-Front	1	
Frame Assy.-Front	2	42699401	Roller-Pick-Up	1	
Frame Assy.-Front	3	44750301	Roller-Feed-NOW	1	
Frame Assy.-Front	4	45862401	FFC-ENV-Sensor-Bend	1	
Frame Assy.-Front	5	44852401	Spring-Slider	1	
Frame Assy.-Front	6	44833401	Slider-Switch	1	
Frame Assy.-Front	7	45392410	OR-Board-8TH-10	1	
Frame Assy.-Front	8	44732301	Roller Assy.-Retard	1	

## Cassette Assy



<b>Unit name</b>	<b>No.</b>	<b>P/N</b>	<b>Part name</b>	<b>Qty</b>	<b>Remarks</b>
Cassette Assy.	1	43895001	Frame-Assy-Retard	1	
Cassette Assy.	2	43963101	Spring-Retard	1	

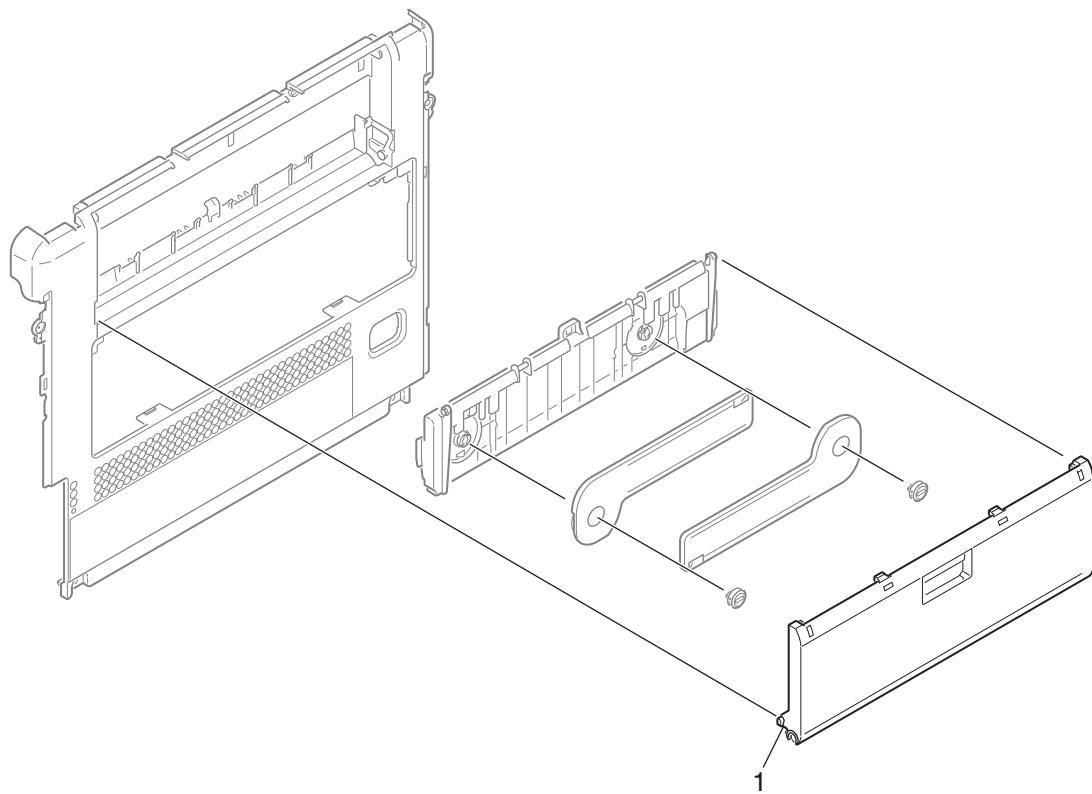
# Guide-Sheet- Assy -Front



<b>Unit name</b>	<b>No.</b>	<b>P/N</b>	<b>Part name</b>	<b>Qty</b>	<b>Remarks</b>
Guide-Sheet-Assy-Front	1	44690203	Clutch-MPT	1	
Guide-Sheet-Assy-Front	2		SW-166-16AU ODC # 2001001P1000 Switch: Toggle	1	
Guide-Sheet-Assy-Front	3		CONN Cord-AMP3P- JST2P(MPT-PE)	1	

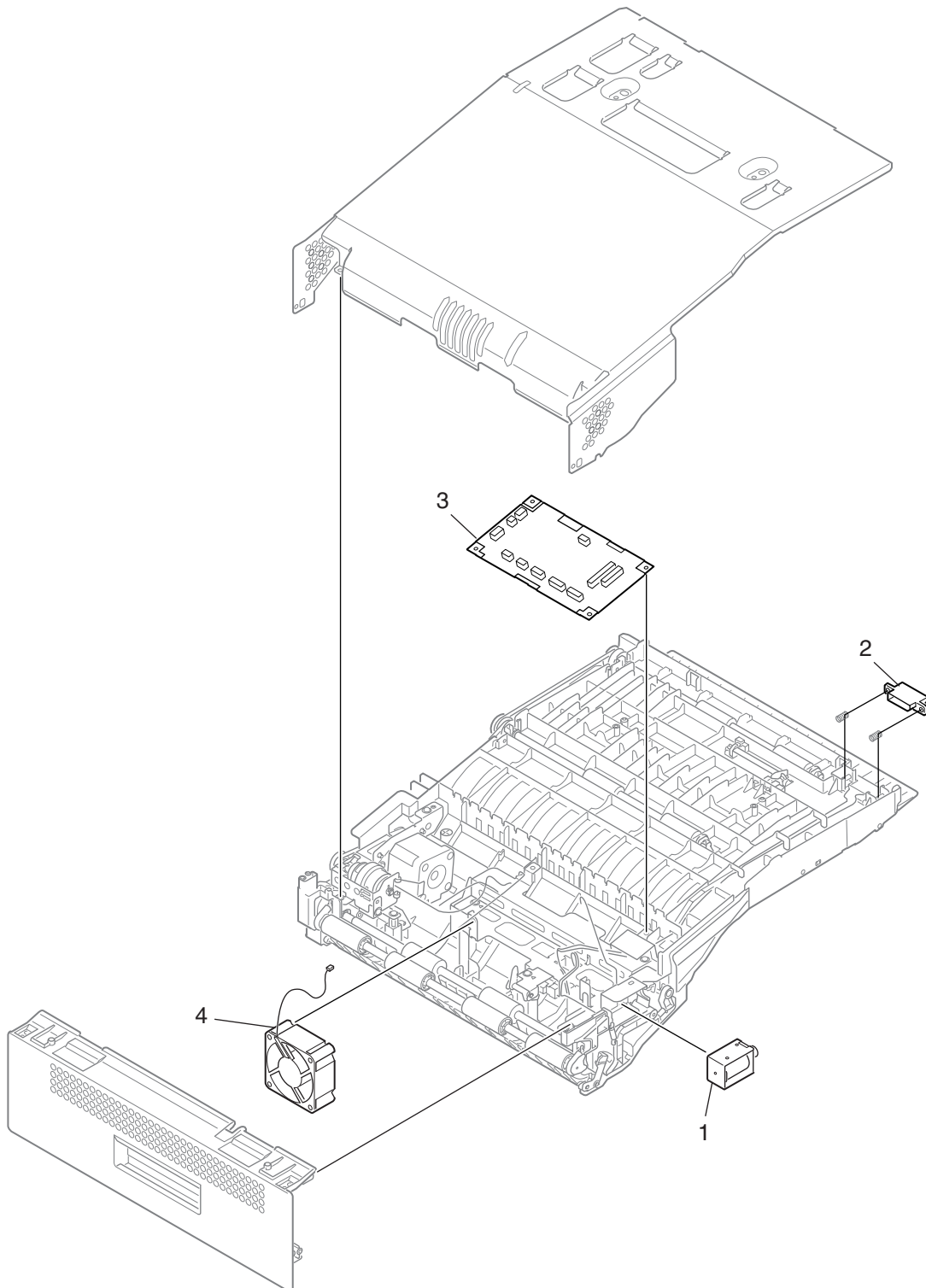


### Cover Assy.-Rear



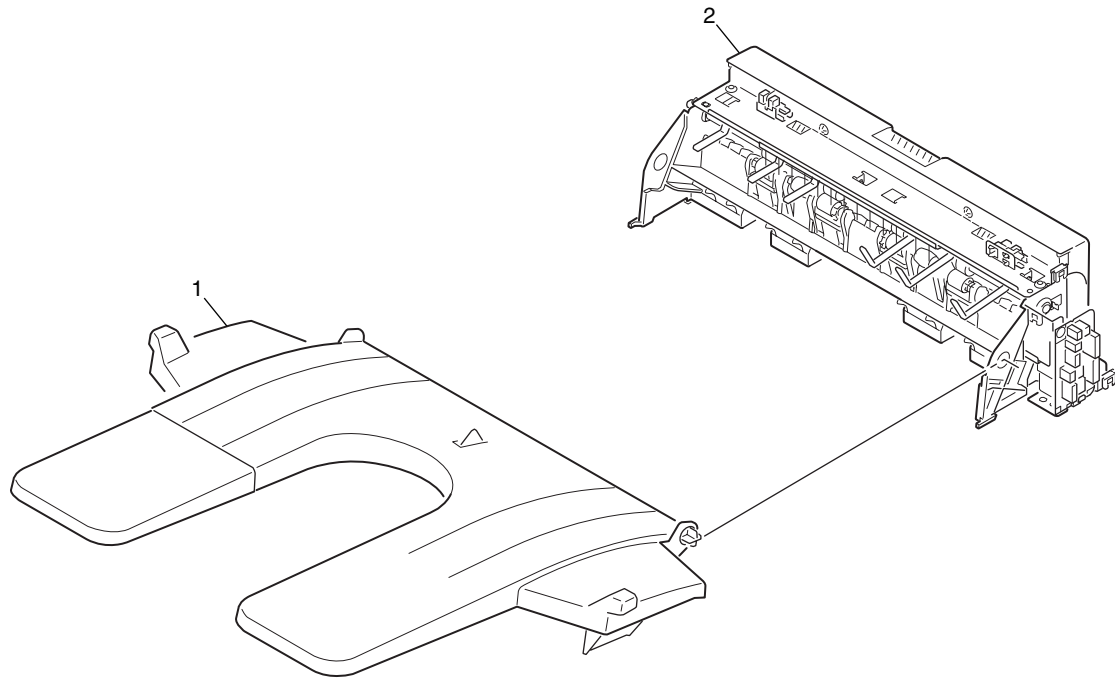
<b>Unit name</b>	<b>No.</b>	<b>P/N</b>	<b>Part name</b>	<b>Qty</b>	<b>Remarks</b>
Cover Assy.-Rear	1		Cover-FaceUP-B	1	

# Duplex Unit



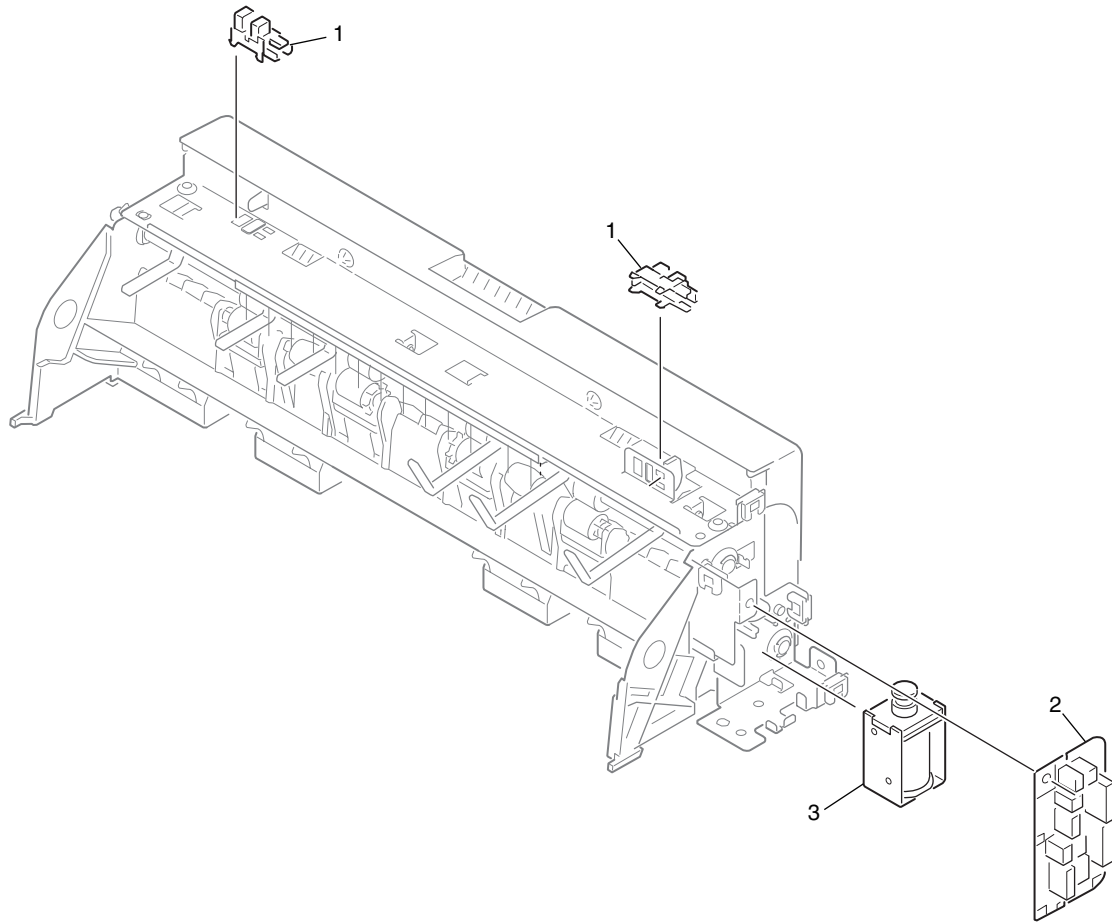
<b>Unit name</b>	<b>No.</b>	<b>P/N</b>	<b>Part name</b>	<b>Qty</b>	<b>Remarks</b>
Duplex-Unit	1	42058305	Solenoid	1	
Duplex-Unit	2	56740710	9715S-11Z02-G4C ODC # 2233014P0110 Connector: Plug	1	
Duplex-Unit	3	44887901	OR-Board Assy. -GOH-1	1	
Duplex-Unit	4	56526906	2410EL-05W-M39-C02 ODC # 2702002P0001 Fan: Motor	1	

## 2bin-Assy



<b>Unit name</b>	<b>No.</b>	<b>P/N</b>	<b>Part name</b>	<b>Qty</b>	<b>Remarks</b>
2Bin-Assy	1	45855101	Stacker Assy.-2Bin	1	
2Bin-Assy	2	45879401	Guide Assy.-2Bin	1	

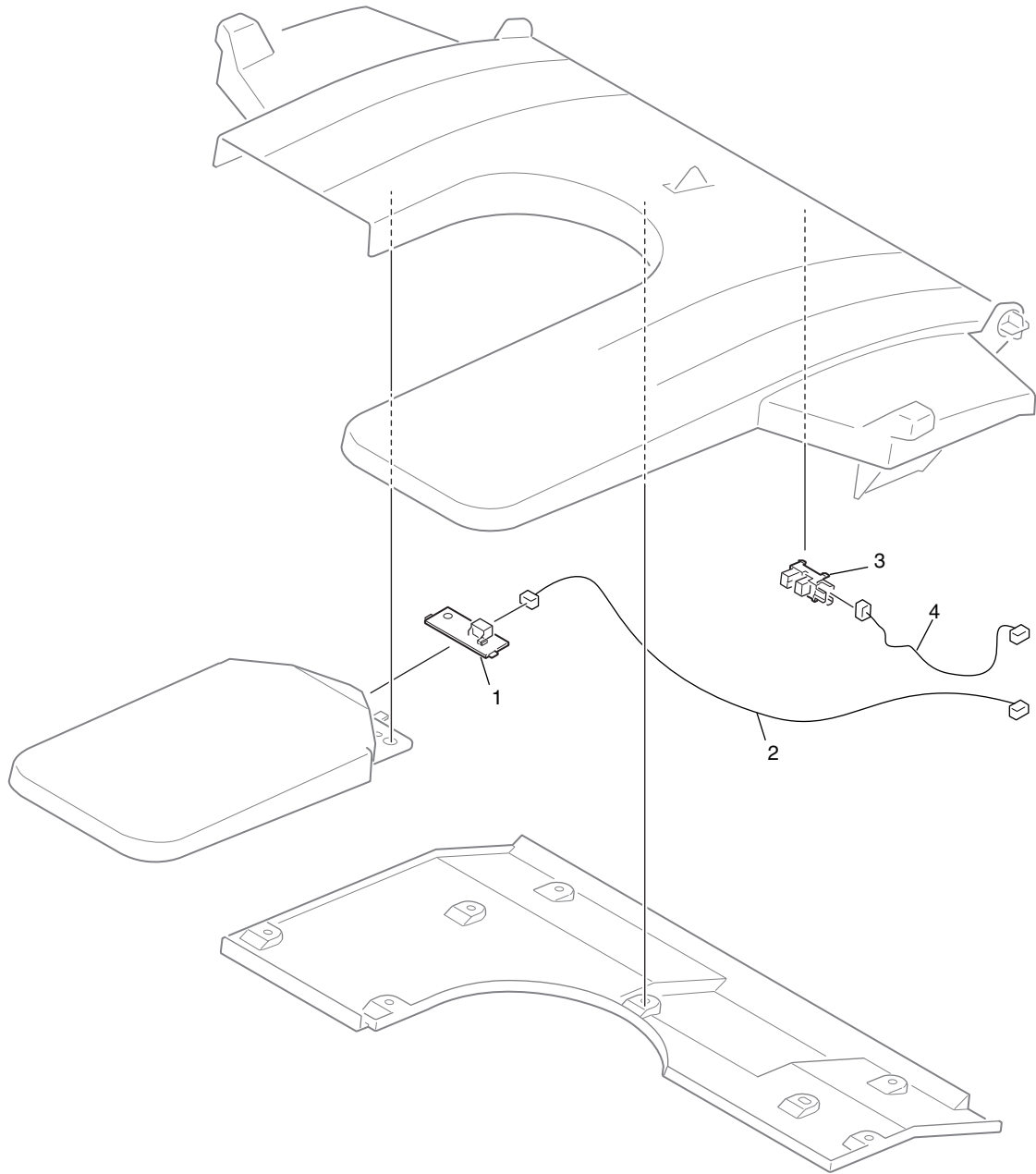
### Guide Assy.-2Bin



Unit name	No.	P/N	Part name	Qty	Remarks
Guide Assy.-2Bin	1	55631302	GP1A173LCS3F ODC # 6520028M0002 Photocoupler	2	
Guide Assy.-2Bin	2	45169802	OR-Board-7RL-2	1	
Guide Assy.-2Bin	3	42758801	DC-Solenoid-10SL	1	

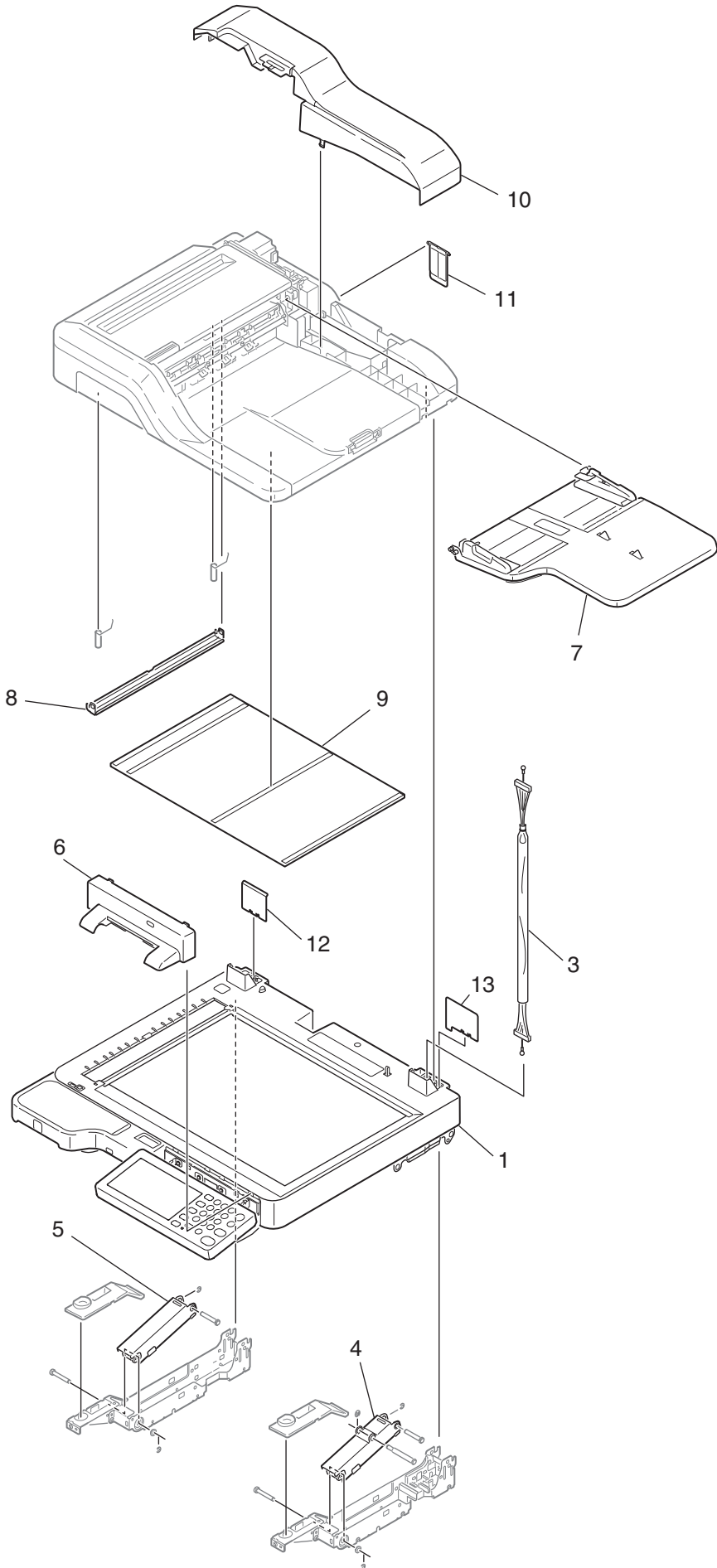


# Stacker-Assy.-2Bin



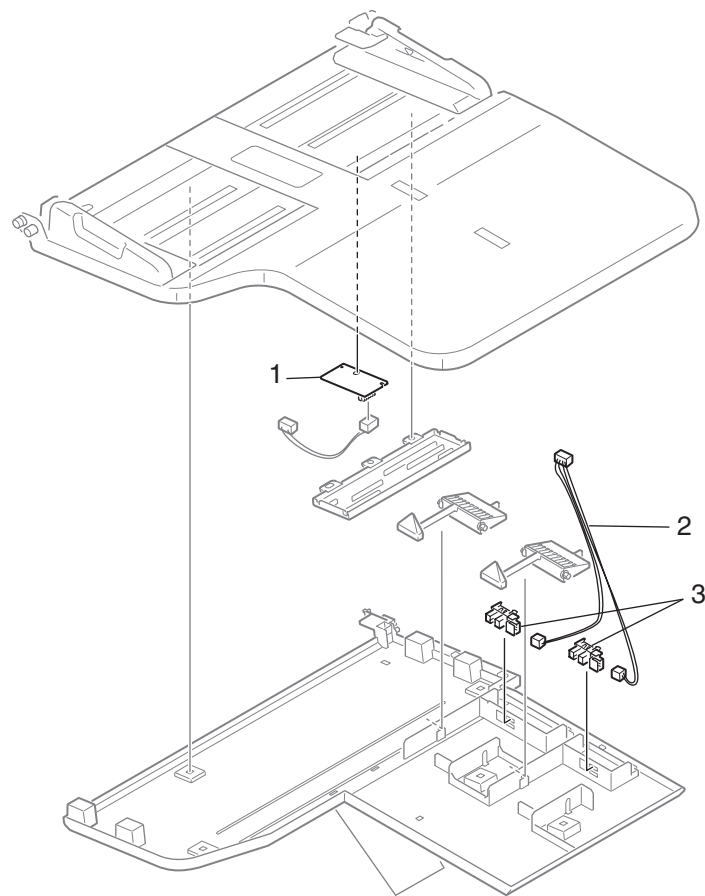
<b>Unit name</b>	<b>No.</b>	<b>P/N</b>	<b>Part name</b>	<b>Qty</b>	<b>Remarks</b>
Stacker Assy.-2Bin	1	45826301	OR-Board Assy.-1LD	1	
Stacker Assy.-2Bin	2		CONN Cord-AMP4- JST4(2BIN-LED)	1	
Stacker Assy.-2Bin	3	55631302	GP1A173LCS3F ODC # 6520028M0002 Photocoupler	1	
Stacker Assy.-2Bin	4	44710601	CONN Cord-AMP3- JST3(2BIN-PAPER)	1	

# Scanner-unit



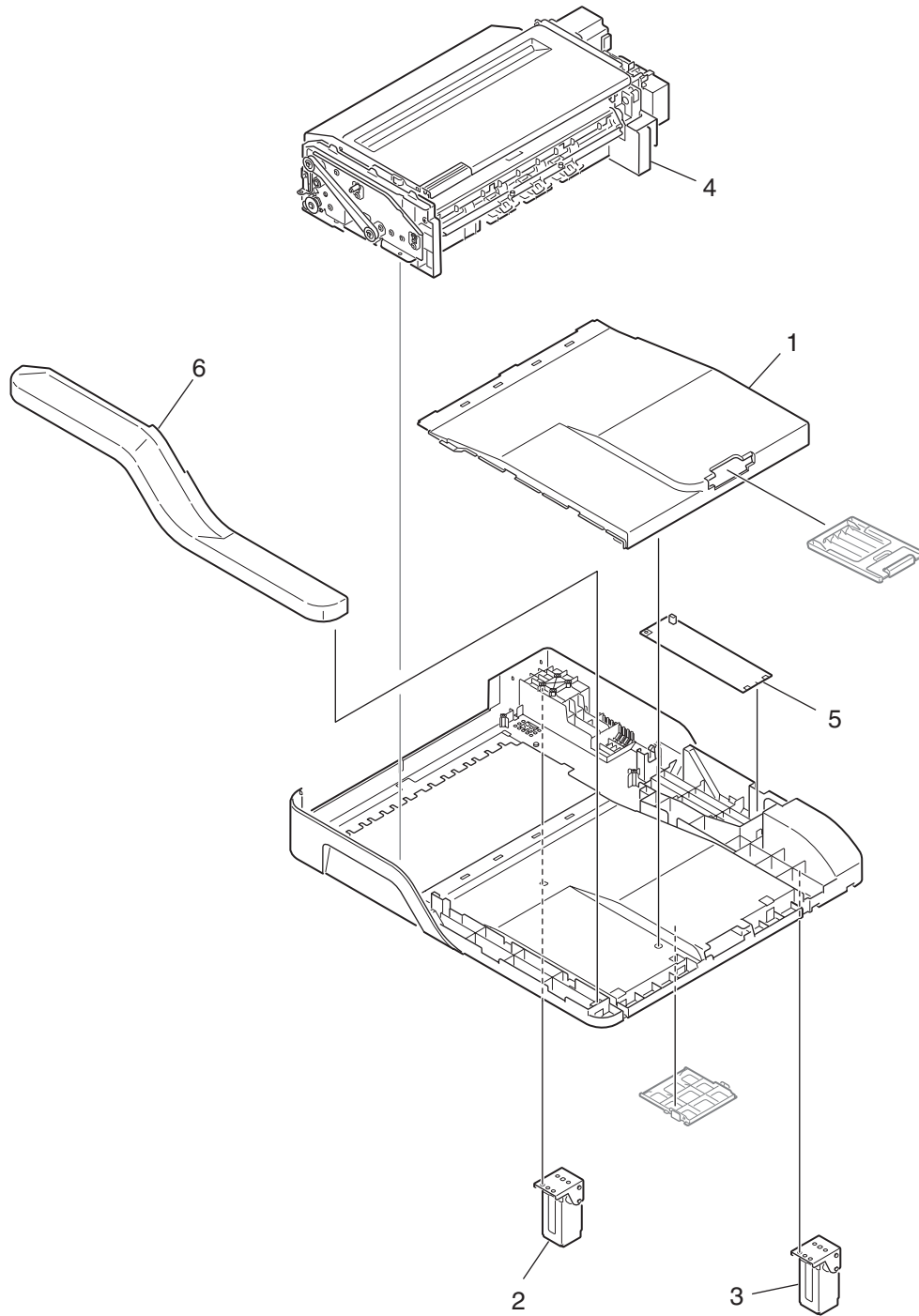
Unit name	No.	P/N	Part name	Qty	Remarks
Scanner Unit	1	46090401	Flatbed-Unit	1	
Scanner Unit	2		Flatbed-Unit(JPN)	1	
Scanner Unit	3		CONN Cord -JST34P- JST34P	1	
Scanner Unit	4	45859101	Damper Assy.-(R)	1	
Scanner Unit	5	45859201	Damper Assy.-(L)	1	
Scanner Unit	6		Frame-OP	1	
Scanner Unit	7		Tray Assy.-Document	1	
Scanner Unit	8		Plate Assy.-(P.H)	1	
Scanner Unit	9	45790001	Sheet-Document	1	
Scanner Unit	10	45790101	Cover-ADF(Rear)	1	
Scanner Unit	11	44540201	Cover-Flap	1	
Scanner Unit	12		Film-Guard(L)	1	
Scanner Unit	13		Film-Guard(R)	1	

# Tray-Assy.-Document



<b>Unit name</b>	<b>No.</b>	<b>P/N</b>	<b>Part name</b>	<b>Qty</b>	<b>Remarks</b>
Tray Assy.-Document	1	45825301	OR-Board Assy.-6WB	1	
Tray Assy.-Document	2		CONN Cord-JST5P-JST6P	1	
Tray Assy.-Document	3	55631302	GP1A173LCS3F ODC # 6520028M0002 Photocoupler	2	

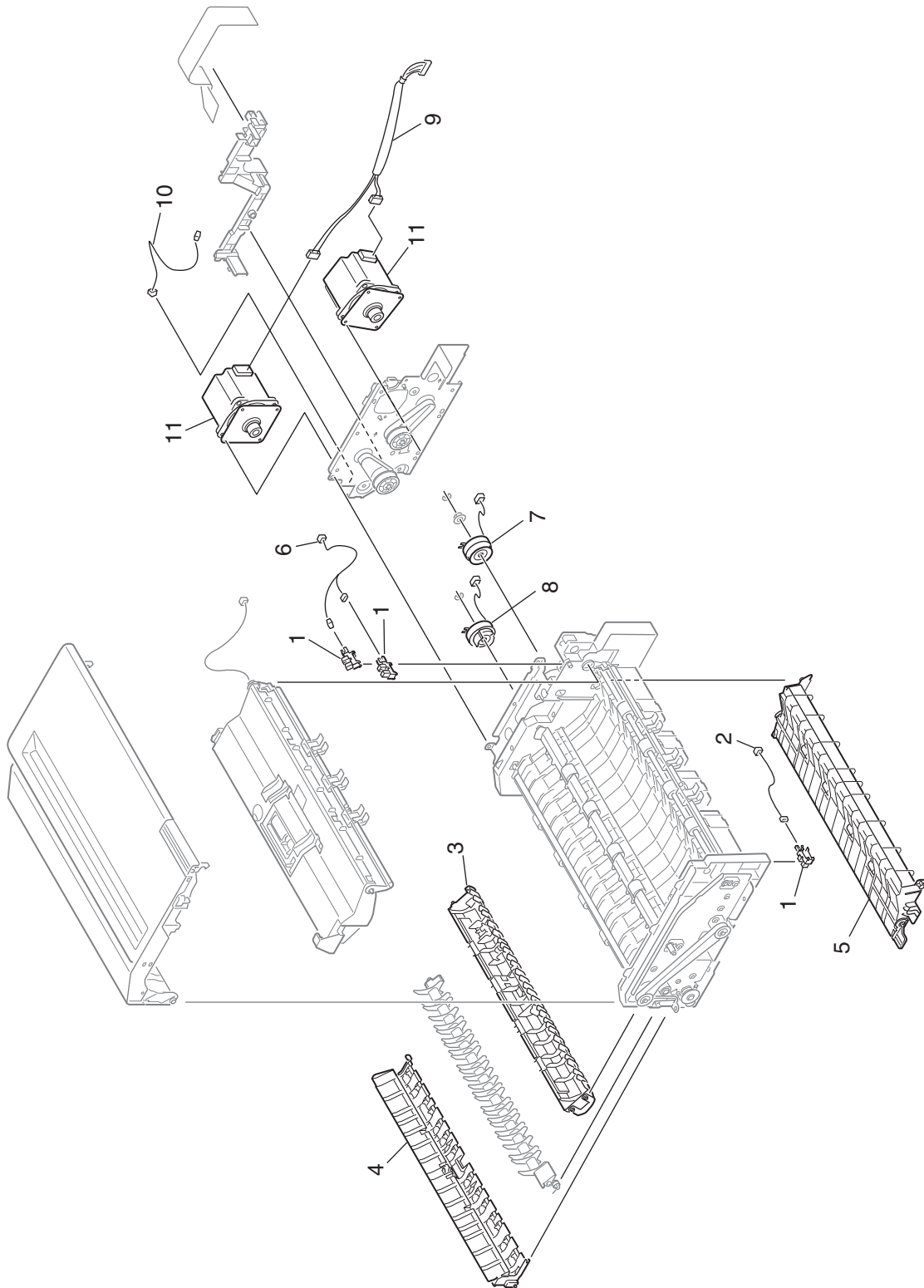
# ADF-unit



<b>Unit name</b>	<b>No.</b>	<b>P/N</b>	<b>Part name</b>	<b>Qty</b>	<b>Remarks</b>
ADF Unit	1	45781401	Cover-Stacker(ADF)	1	
ADF Unit	2	45853901	Hinge Assy.-(L)	1	
ADF Unit	3	45854001	Hinge Assy.-(R)	1	
ADF Unit	4	45856401	ADF-Assy.	1	
ADF Unit	4	45856402	ADF-Assy.	1	S/N: D0 And Above
ADF Unit	5	45825001	OR-Board Assy.-6RL	1	
ADF Unit	6	45789701	Cover-ADF(Front)	1	
ADF Unit		46090413	ADF Maintenance	1	S/N D0 And Above

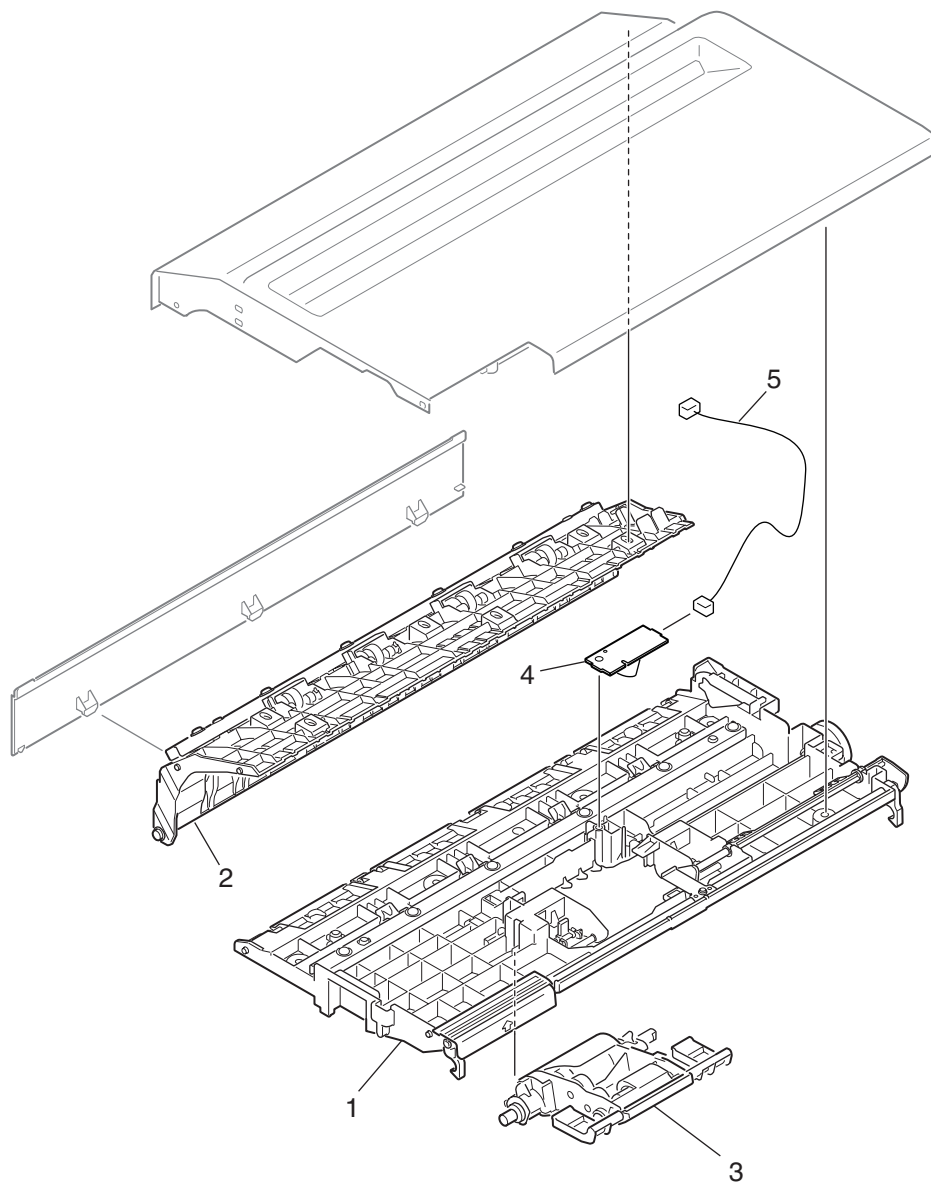


# ADF-Assy



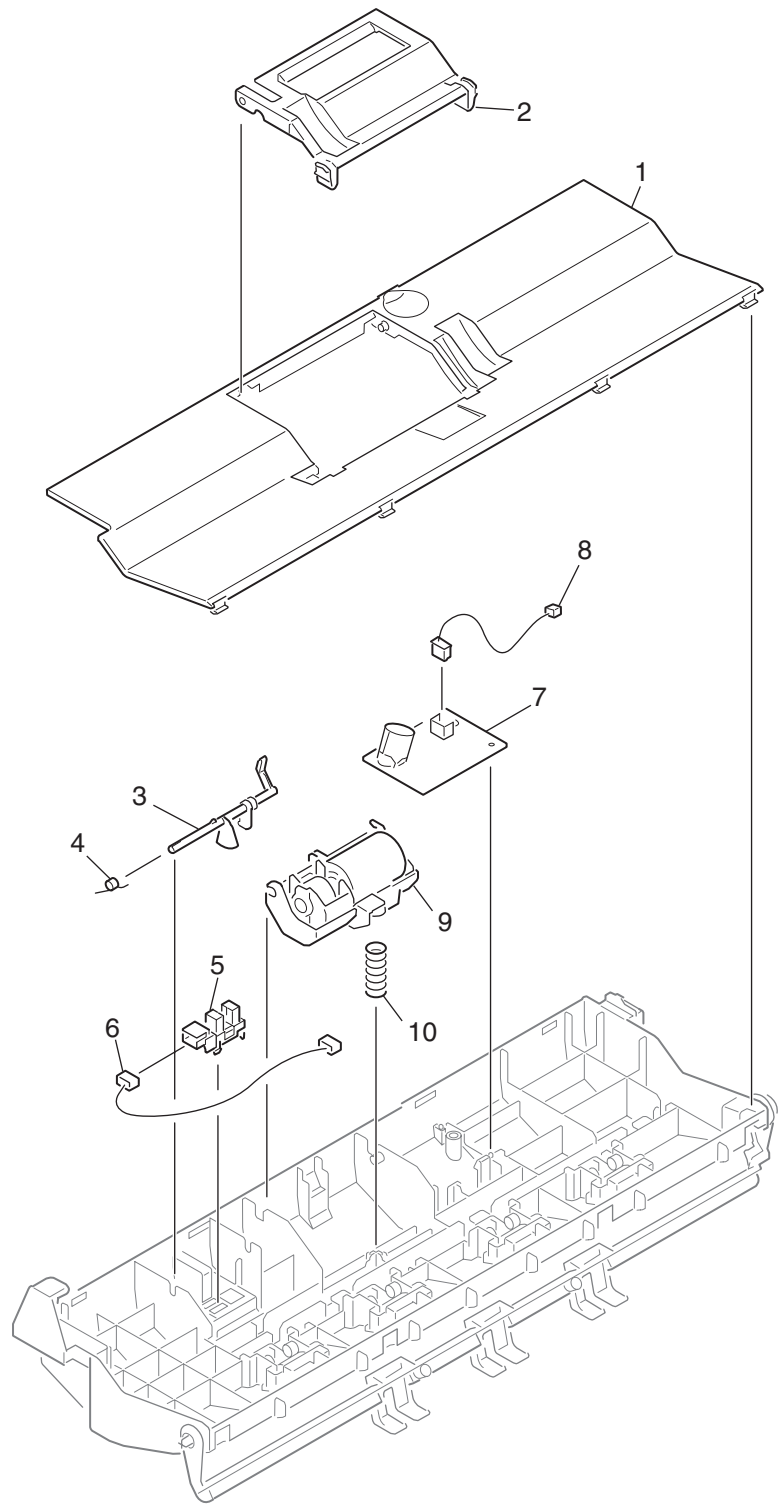
Unit name	No.	P/N	Part name	Qty	Remarks
ADF-Assy	1	55631302	GP1A173LCS3F ODC # 6520028M0002 Photocoupler	1	
ADF-Assy	2		CONN Cord- AMP3P- AMP4P	1	
ADF-Assy	3		Guide Assy.-C	1	
ADF-Assy	4		Guide Assy.-D	1	
ADF-Assy	4	45854202	Guide Assy.-D	1	<b>S/N: D0 And Above</b>
ADF-Assy	5		Guide Assy.-Exit(Lower)	1	
ADF-Assy	6		CONN Cord-AMP3-AMP3P- AMP6P	1	
ADF-Assy	7	44716101	Clutch-Hop-Op	1	
ADF-Assy	8	45960601	Clutch Assy.-Hop(ADF)	1	
ADF-Assy	9		CONN Cord- JST6P-JST6P- AMP8P	1	
ADF-Assy	10		CONN Cord- AMP3P- AMP3P	1	
ADF-Assy	11	45631101	Motor-ADF	1	

### Cover-Assy-Top-ADF



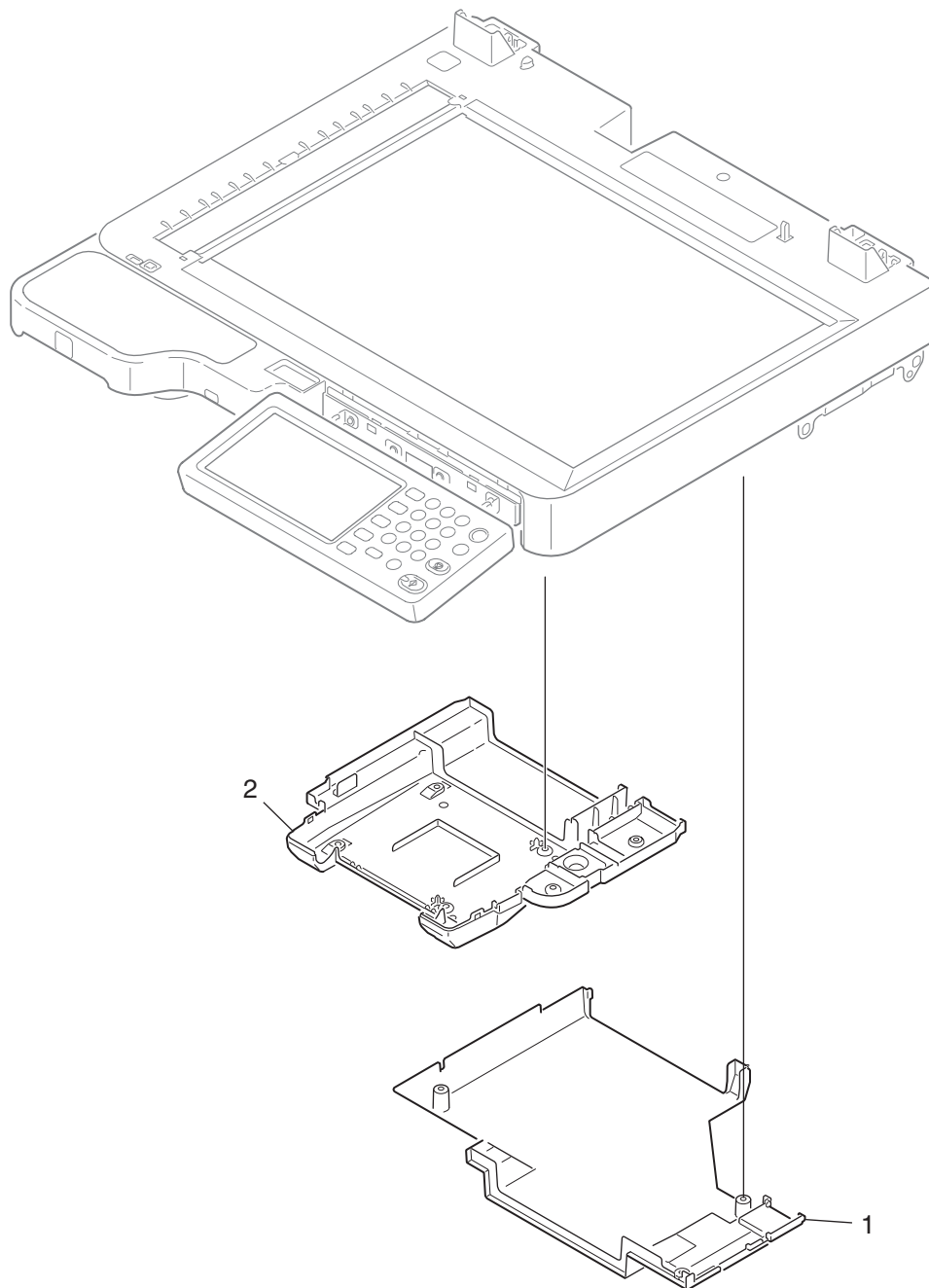
<b>Unit name</b>	<b>No.</b>	<b>P/N</b>	<b>Part name</b>	<b>Qty</b>	<b>Remarks</b>
Cover Assy.-Top(ADF)	1		Guide Assy.-Top(A)	1	
Cover Assy.-Top(ADF)	2		Guide Assy.-Top(B)	1	
Cover Assy.-Top(ADF)	3	45856101	Frame Assy.-Hopping(ADF)	1	
Cover Assy.-Top(ADF)	4	45825601	OR-Board Assy.-6JC	1	
Cover Assy.-Top(ADF)	5		CONN Cord-AMP3P-JST3P	1	

# Guide-Assy-Retard



<b>Unit name</b>	<b>No.</b>	<b>P/N</b>	<b>Part name</b>	<b>Qty</b>	<b>Remarks</b>
Guide Assy.-Retard	1	45785201	Guide-Retard(Sub)	1	
Guide Assy.-Retard	2		Cover-Retard(ADF)	1	
Guide Assy.-Retard	3	45785401	Lever-Hopping	1	
Guide Assy.-Retard	4	45785501	Spring-Hopping	1	
Guide Assy.-Retard	5	55631302	GP1A173LCS3F ODC # 6520028M0002 Photocoupler	1	
Guide Assy.-Retard	6		CONN Cord-AMP3P-JST4P	1	
Guide Assy.-Retard	7	45825901	OR-Board Assy.-6JD	1	
Guide Assy.-Retard	8		CONN Cord -JST5P- AMP5P	1	
Guide Assy.-Retard	9	45854501	Frame Assy.-Retard	1	
Guide Assy.-Retard	10	45786101	Spring-Retard	1	

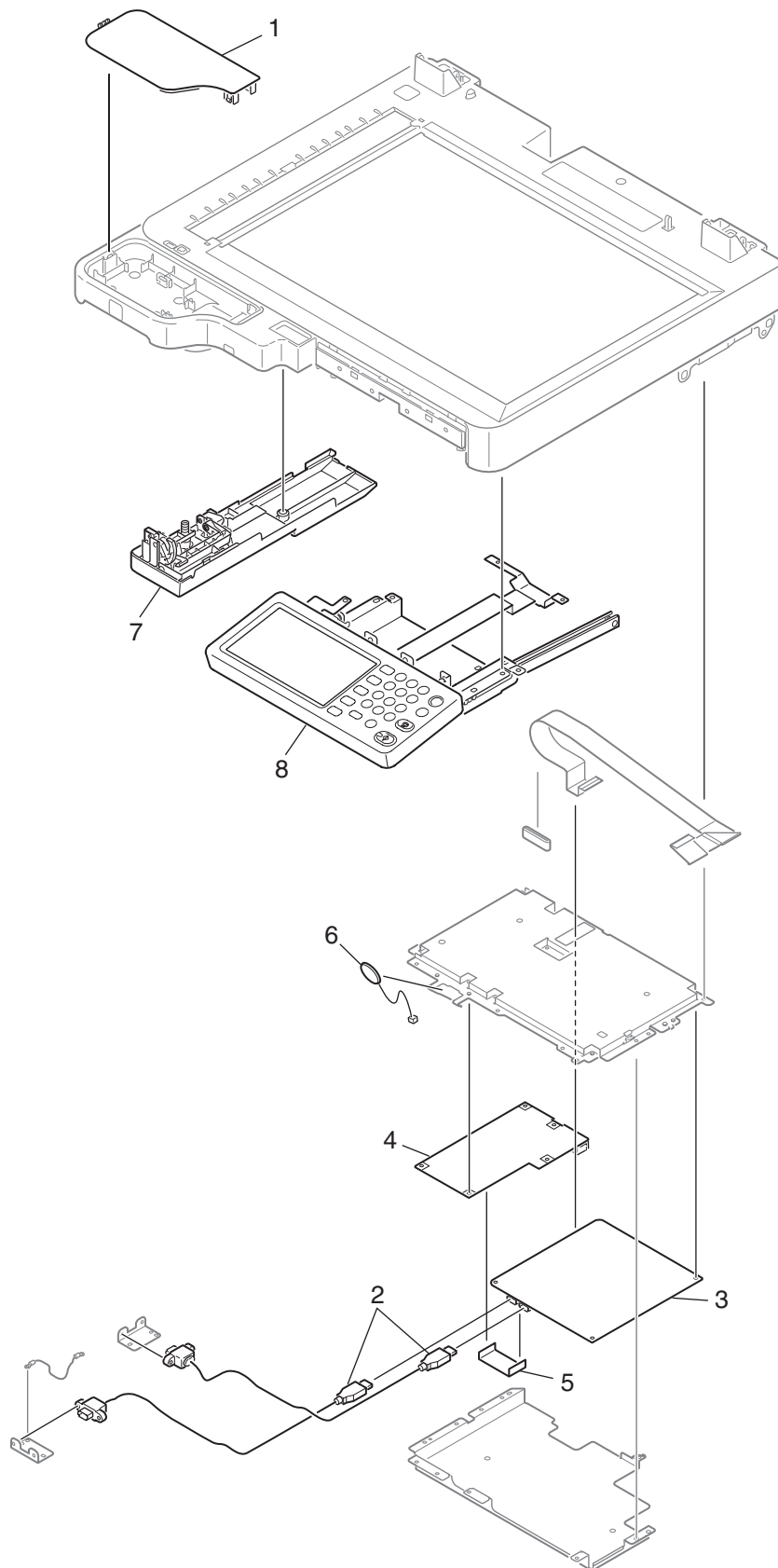
# Flatbed-Unit



<b>Unit name</b>	<b>No.</b>	<b>P/N</b>	<b>Part name</b>	<b>Qty</b>	<b>Remarks</b>
Flatbed-Unit	1		Cover-Bottom	1	
Flatbed-Unit	2		Cover-Support(OP)	1	

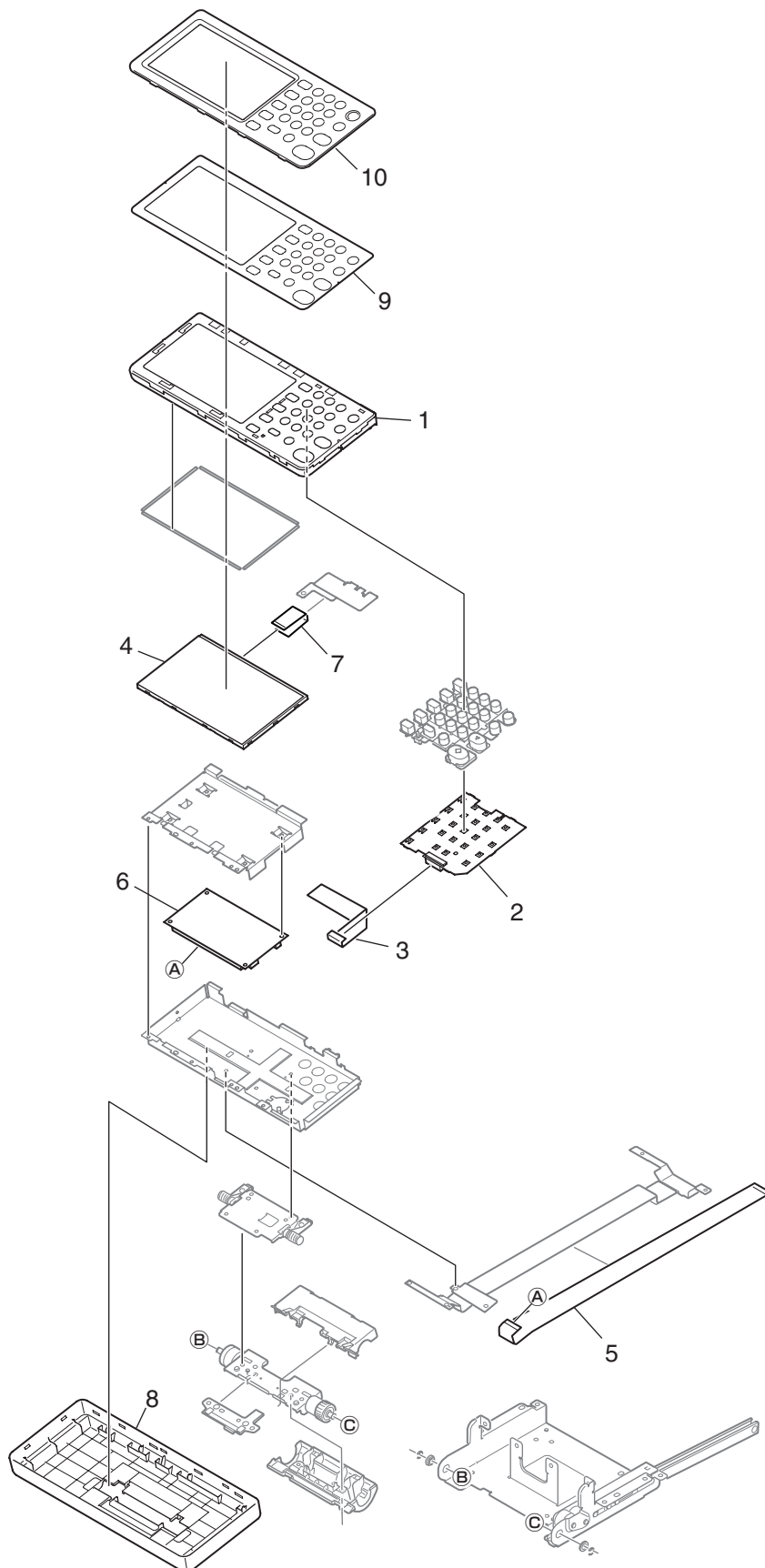


# Frame-Assy-FB



Unit name	No.	P/N	Part name	Qty	Remarks
Frame Assy.-FB	1		Cover-IC Card	1	
Frame Assy.-FB	2		CONN Cord-USB	2	
Frame Assy.-FB	3	45958801	Board-6SU Maintenance spec.	1	
Frame Assy.-FB	4	45885104	PCB: FXS MAINT (ODA)	1	Stock
Frame Assy.-FB	4	45885103	PCB: FXS MAINT (ODB)	1	Stock
Frame Assy.-FB	5	45862604	Cord FFC FAX-SU	1	
Frame Assy.-FB	6	44908701	Speaker Assy.	1	
Frame Assy.-FB	7		Cover Assy.-Side(LF)	1	
Frame Assy.-FB	8	45857901	OP-Panel Assy.	1	
Frame Assy.-FB	8		OP-Panel Assy.(JPN)	1	

# Frame-Assy-OP(7inch)



Unit name	No.	P/N	Part name	Qty	Remarks
Frame-Assy-OP(7inch)	1		Frame-OP	1	
Frame-Assy-OP(7inch)	2	45763310	OR-Board-THS-10	1	
Frame-Assy-OP(7inch)	3	45765301	Cable-Key(Bend)	1	
Frame-Assy-OP(7inch)	4		MF070FT-BW ODC # 5150008P0001 Display: LCD	1	
Frame-Assy-OP(7inch)	5		Cord FFC 7"TP-LCD	1	
Frame-Assy-OP(7inch)	6	45763002	OR-Board-TP1-2	1	
Frame-Assy-OP(7inch)	7		Cord FFC TP1-SU	1	
Frame-Assy-OP(7inch)	8		Cover-OP-Bottom	1	
Frame-Assy-OP(7inch)	9		Sheet-OP	1	
Frame-Assy-OP(7inch)	9		Sheet-OP(JPN)	1	
Frame-Assy-OP(7inch)	10		Cover-OP-Top	1	