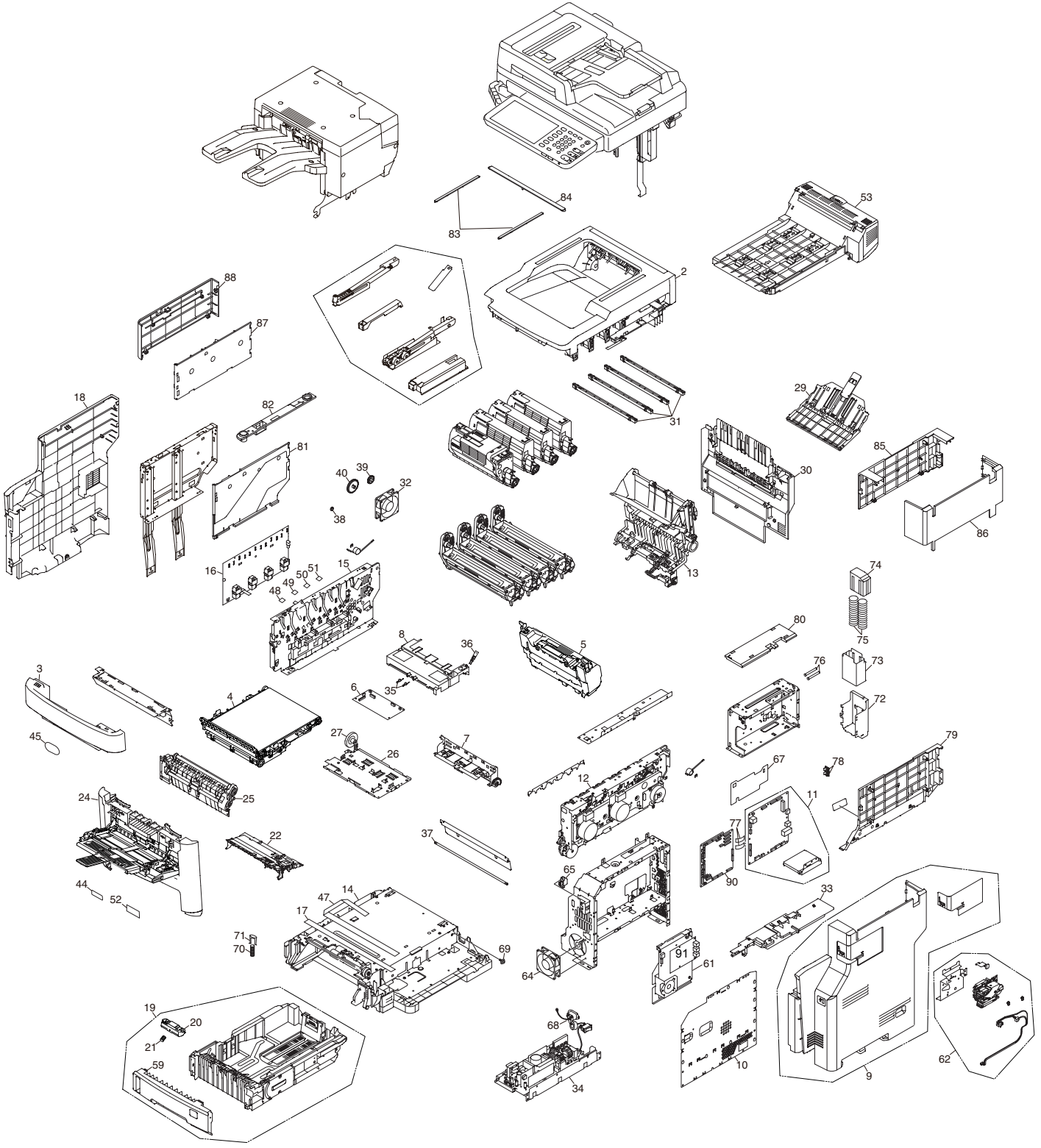


MC770 / MC770+
MC780 / MC780+
MPS3537mc / MPS3537mc+
MPS4242mc / MPS4242mc+
MPS4242mcf / MPS4242mcf+
**Illustrated Spare
Parts Manual**

MFP-Unit

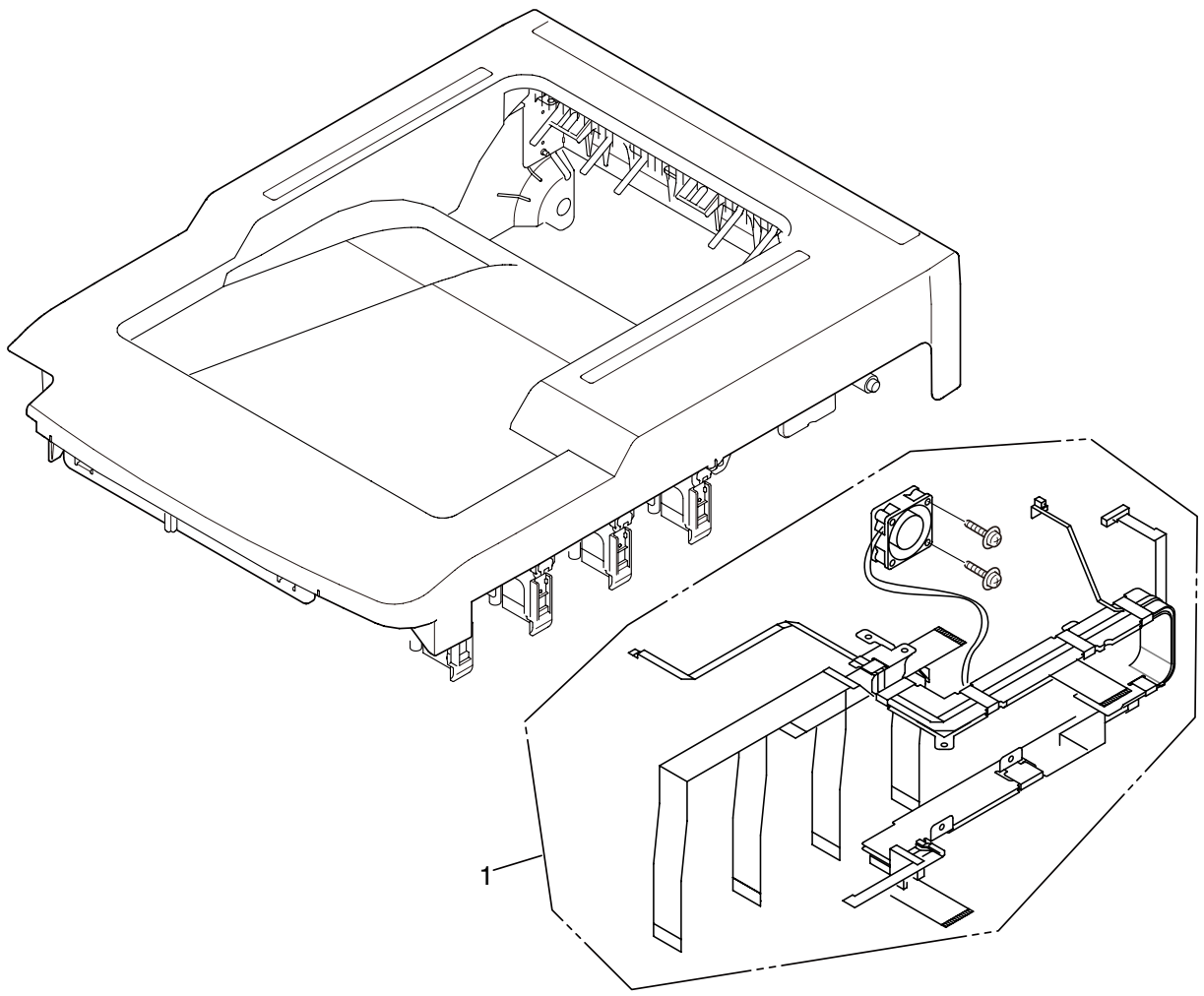


	Part Number	Part name	Q'ty /Unit	Recommended Q'ty/Year			Remarks
				per	per	per	
				500	1000	2000	
2	45270001	Cover Assy.-Top-	1	1	2	4	without Finisher cable
2		Cover Assy.-Top--Fin	1	1	2	4	with Finisher cable
3	45269901	Frame Assy.-Top(Front)	1	1	2	4	
4	45381101	Belt Unit (ODA)	1	35	70	140	ODA Pack in box, Non-PFOS
5	45380001	Fuser-Unit(ODA_120V)	1	50	100	200	ODA(120V) Pack in box
5	45380002	Fuser-Unit(ODA_230V)	1	50	100	200	ODA(230V) Pack in box
6	44614101	OR-IBY	1	2	4	8	Board-IBY
7	43917501	Sensor Assy.-Color-Regist	1	2	4	8	
8	42066901	Cover-Driver	1	1	2	4	
9		Cover-Side-R-Assy	1	1	2	4	without Stapler Model
10		Plate-Shield(Board)	1	1	2	4	
11	45554901	Board-Maintenance_MFP_CU	1	2	4	8	Board - St. Helens CU (ODA)
11	45729533	MQ01ABU32W					Hard Disk
11		Board-Maintenance_MFP_CU	1	2	4	8	Board - St. Helens CU (MPS)
12		Plate Assy.-Side R-	1	2	4	8	
13	45268901	Eject-Assy.	1	2	4	8	
14	45268401	Plate Assy.-Base	1	2	4	8	
15		Plate Assy.-Side L	1	2	4	8	
16	43770701	PWR unit-DCDC	1	2	4	8	High Voltage
17		CONN-High Voltage(Bend)	1	1	2	4	
18		Cover-Side(L)	1	1	2	4	
19	43894903	Cassette-Assy-PX757	1	1	2	4	
20	43895001	Frame-Assy-Retard	1	3	6	12	
21	43963101	Spring-Retard	1	3	6	12	
22	44259903	Cover Assy.-Hopping-	1	2	4	8	
24	44263601	Cover Assy.-Front	1	2	4	8	
25	44261901	Feeder-Assy.-Regist	1	2	4	8	
26		Plate-Driver(PU)(Caulking)	1	1	2	4	
27	43076101	Gear-Idle-Belt-Z20Z93	1	1	2	4	

	Part Number	Part name	Q'ty /Unit	Recommended Q'ty/Year			Remarks
				per	per	per	
				500	1000	2000	
29	43078704	Cover Assy.-FaceUP	1	1	2	4	
30		Cover-Sub Assy.-Rear	1	1	2	4	
31	45272301	LED Head Unit-51TRC	4	2	4	8	600dpi(20pin)
32	43289101	OR-Motor-FAN(80)	1	1	2	4	FUSER
33		Guide-Cable-Pow	1	1	2	4	
34	45271601	Power-Assy-	1	2	4	8	Power Unit (LOW Voltage)
35		Spring-BeltFuse	2	1	2	4	
36	42605201	Thermistor-Belt	1	2	4	8	
37	44555801	Shaft-Liftup	1	1	2	4	
38	42060701	Bush	1	1	2	4	
39	43075201	Gear-LiftupL-Z32	1	1	2	4	
40	43075501	Gear-LiftUpLinkL-Z56	1	1	2	4	
44		Plate-name_MC770	1	1	2	4	
44		Plate-name_MC780	1	1	2	4	
45		Plate-Logo	1	1	2	4	
47		CONN-Cord-FlexyDP(Bend)	1	2	4	8	PU-PRY
48		Label-Color K	1	1	2	4	
49		Label-Color Y	1	1	2	4	
50		Label-Color M	1	1	2	4	
51		Label-Color C	1	1	2	4	
52		Label-ES/HD/CZ	1	1	2	4	
53	44274404	Unit-Duplex-	1	1	2	4	
59	43894701	Cover-Assy-CS-PX741	1	1	2	4	
61	45036901	FAX Unit(US,CA)	1	1	2	4	
62	45393501	Stapler_Unit	1	1	2	4	
64	45163401	Motor-Fan(80)	1	1	2	4	Power FAN
65	45084101	CONN Cord-USB()	1	1	2	4	USB Cable
67		Film-Board(Guard)	1	1	2	4	

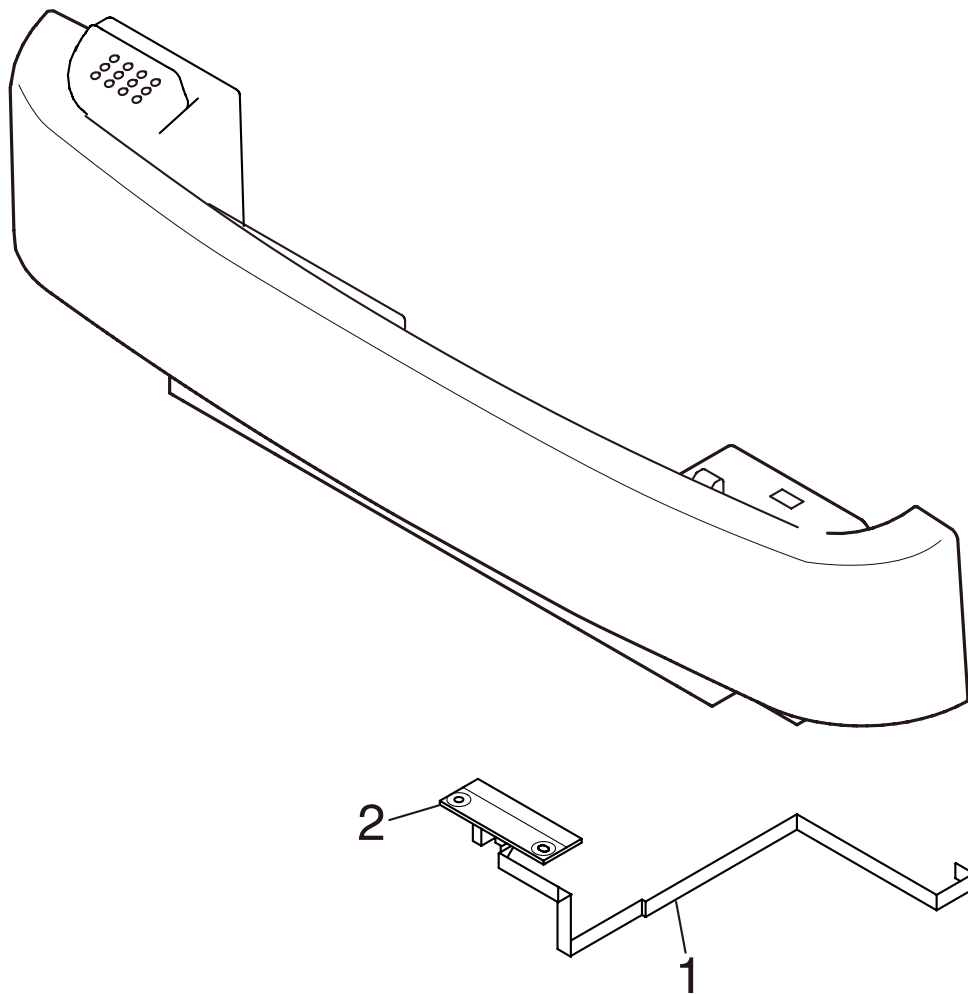
	Part Number	Part name	Q'ty /Unit	Recommended Q'ty/Year			Remarks
				per	per	per	
				500	1000	2000	
68	45271401	CONN Cord-JST3P-INLET()	1	1	2	4	AC Inlet
69		Screw-PLWB4	1	1	2	4	AC Inlet Screw
70	43735001	Spring-PickUp	1	1	2	4	
71	40367101	Bracket-Spring(Sub)	1	1	2	4	
72	45037501	Plate-Hinge(FB)	1	1	2	4	
73	45037601	Sleeve-Hinge(FB)	1	1	2	4	
74	45037701	Slider-Hinge(FB)	1	1	2	4	
75	45037801	Spring-Hinge(FB)	2	2	4	8	
76	45038201	Shaft-Guide(Hinge)	2	2	4	8	
77		FFC34-50-0.5-003AU (2381103P0001)	2	2	4	8	
78		Cover-Connector-FAX	1	1	2	4	
79		Cover-Side(R-Inner)	1	1	2	4	
80		Cover-Side-(R-Top)	1	1	2	4	
81		Cover-Side(L-Inner)	1	1	2	4	
82		Cover-Side(L-Top)	1	1	2	4	
83		Cover-Top-Sub-S	2	2	4	8	
84		Cover-Top-Sub-B	1	1	2	4	
85		Cover-Side(R-Inner-EX)	1	1	2	4	Tall Model
86		Cover-Side(R-EX)	1	1	2	4	Tall Model
87		Cover-Side(L-Inner-EX)	1	1	2	4	Tall Model
88		Cover-Side(L-EX)	1	1	2	4	Tall Model
90	45167401	Board-Maintenance MFP_7PU_M_MC	1	2	4	8	Board PU for MC770 ODA
90	45167402	Board-Maintenance MFP_7PU_H_MC	1	2	4	8	Board PU for MC780 ODA
90	45167403	Board-Maintenance MFP_7PU_M_MPS	1	2	4	8	Board PU for MPS3537 ODA
90	45167404	Board-Maintenance MFP_7PU_H_MPS	1	2	4	8	Board PU for MPS4242 ODA
91	45036921	FAX Board	1	2	4	8	

Cover-Assy-Top



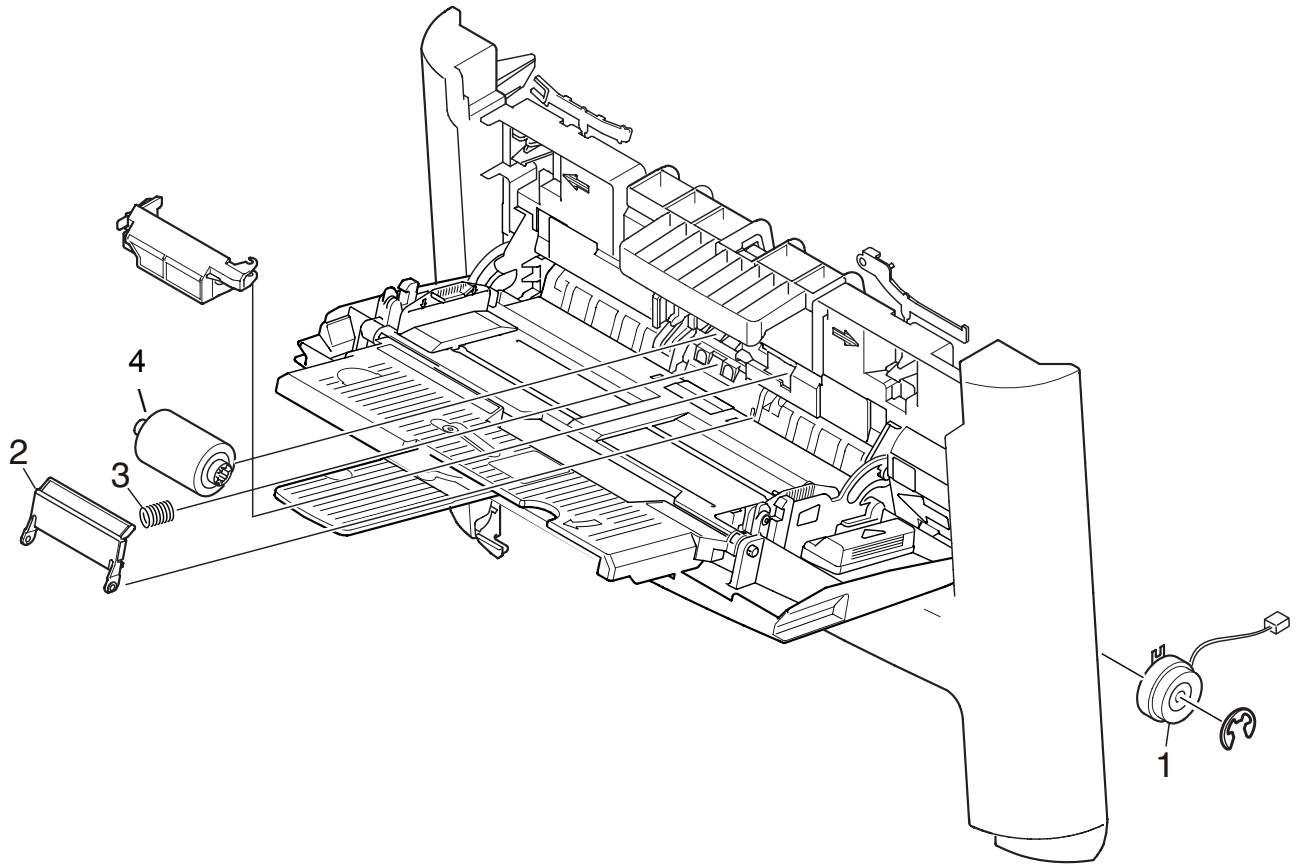
	Part Number	Part name	Q'ty /Unit	Recommended Q'ty/Year			Remarks
				per	per	per	
				500	1000	2000	
1	43896303	Cable-Assy.-Head-	1	2	4	8	
2	43297003	Cable-RFID(bend)	1	1	2	4	

Frame-Assy-Top(Front)



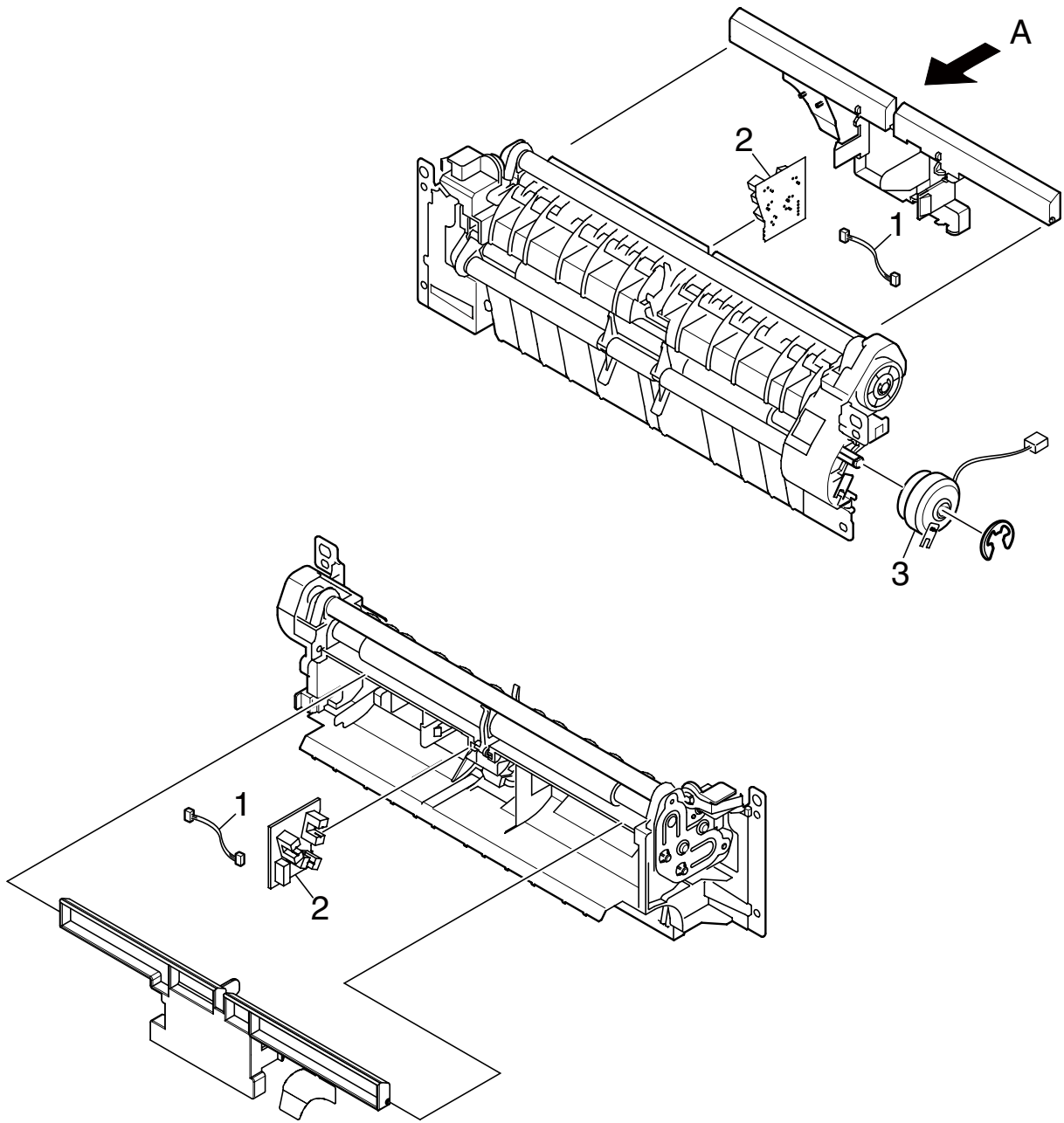
	Part Number	Part name	Q'ty /Unit	Recommended Q'ty/Year			Remarks
				per	per	per	
				500	1000	2000	
1		CONN-Cord-ENV-bend	1	1	2	4	Board MFH (ENV SNS)
2	45169301	OR-MFH	1	1	2	4	ENV-SNS

Cover-Assy-Front



	Part Number	Part name	Q'ty /Unit	Recommended Q'ty/Year			Remarks
				per	per	per	
				500	1000	2000	
1	44261402	Clutch	1	1	2	4	MPT Clutch
2	43922402	Frame Assy.-Separator	1	1	2	4	
3	44009301	Spring-Separator	1	1	2	4	
4	43922301	Roller-Assy-MPT	1	1	2	4	

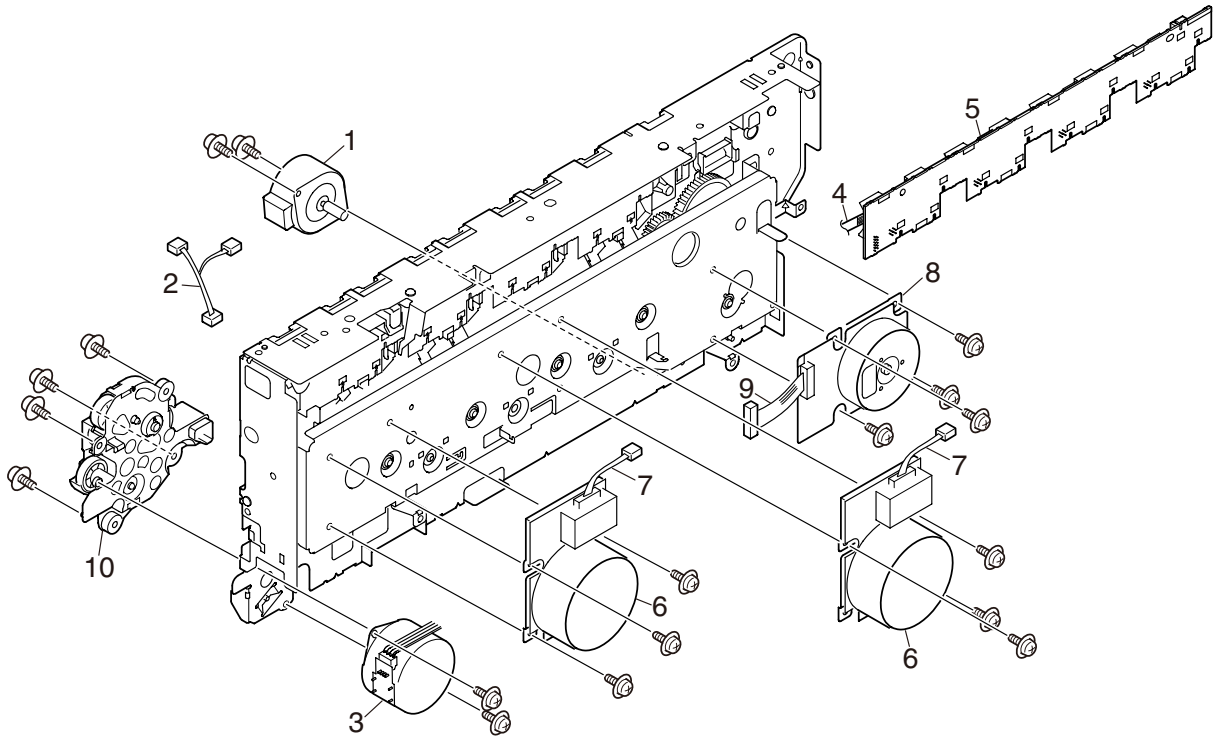
Feeder-Assy-Regist



View on Arrow A

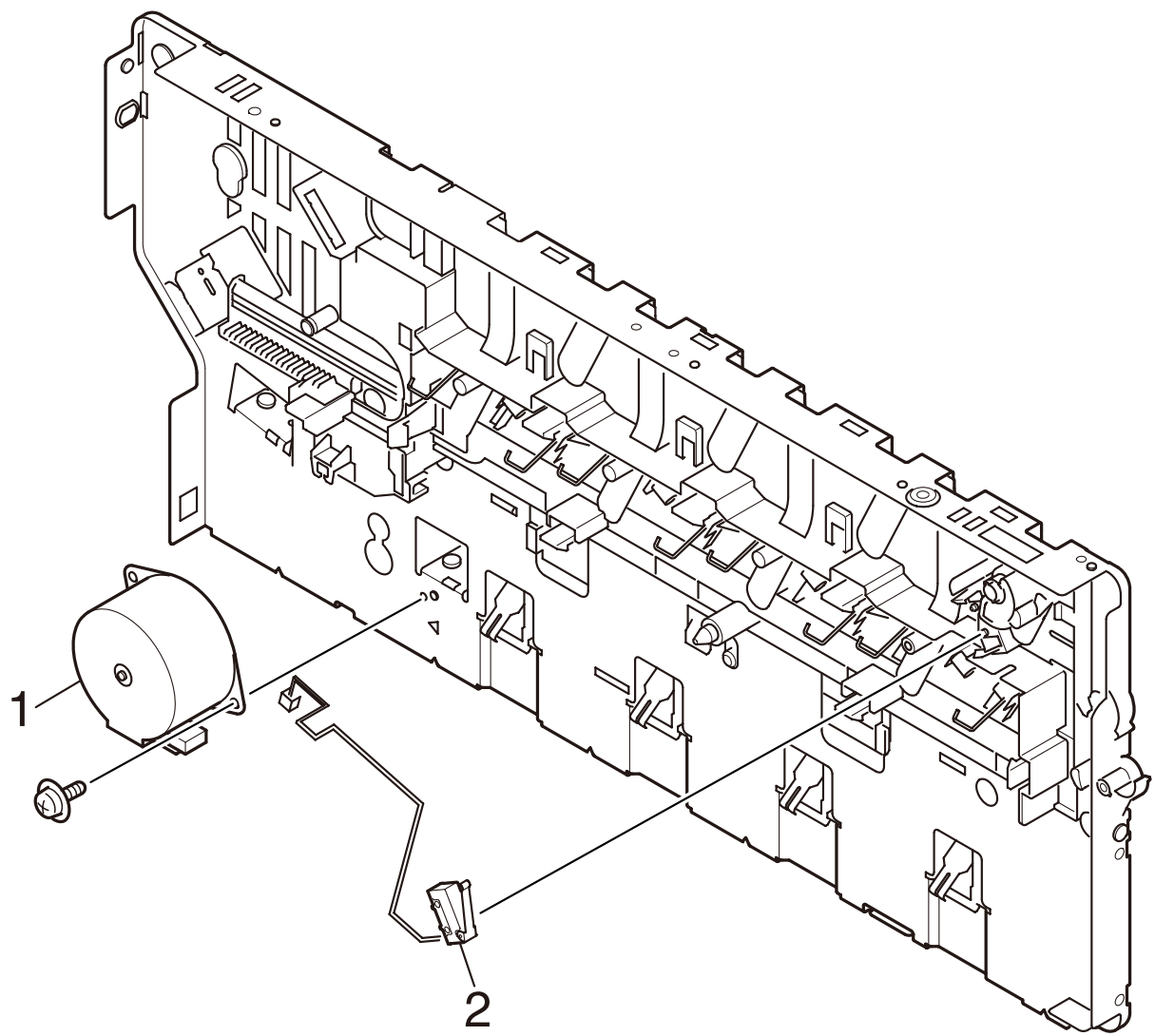
	Part Number	Part name	Q'ty /Unit	Recommended Q'ty/Year			Remarks
				per	per	per	
				500	1000	2000	
1	44256101	CONN Cord-AMP5PAMP5P	1	1	2	4	RSF-PU
2	42135802	Board-RSF	1	2	4	8	Front Sensor
3	44261401	Clutch	1	1	2	4	Feed Clutch

Plate-Assy-Side R



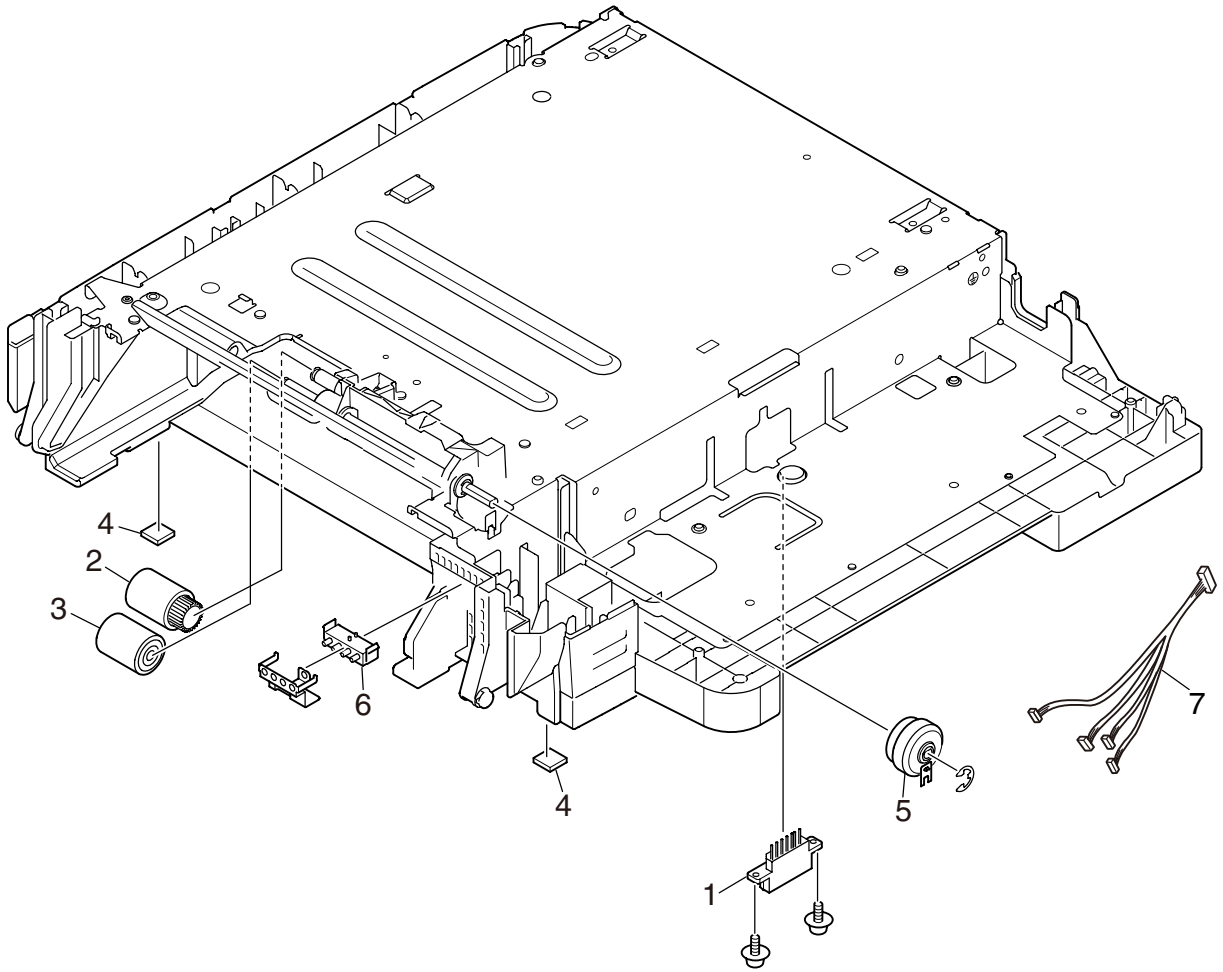
	Part Number	Part name	Q'ty /Unit	Recommended Q'ty/Year			Remarks
				per	per	per	
				500	1000	2000	
1	43276201	OR-Motor_Pulse_Liftup	1	1	2	4	ID Liftup Motor
2	43138001	CONN Cord-AMP8P-AMP4PAMP4P	1	1	2	4	Belt/IDUP Motor-PU
3	43276301	OR-Motor_Pulse_HOP	1	1	2	4	HOP Motor
4	56737134	TW-VF/SMCD11-150-1.0 (2381003P0034)	1	1	2	4	PRZ-PU
5	43131601	OR-PRZ	1	1	2	4	Board-PRZ Toner Sensor
6	45163501	Motor-DC(main)	2	2	4	8	ID Motor
7	45083801	CONN Cord-JST9P-JST10P	2	2	4	8	ID Motor-PU
8	44349601	Motor-DC(F)	1	1	2	4	Fuser Motor
9	45084601	CONN Cord-JST9P-JST8P	1	1	2	4	Fuser Motor-PU
10	44259301	Gear Assy.-HP	1	1	2	4	Hop Gear

Plate-Assy-Side L



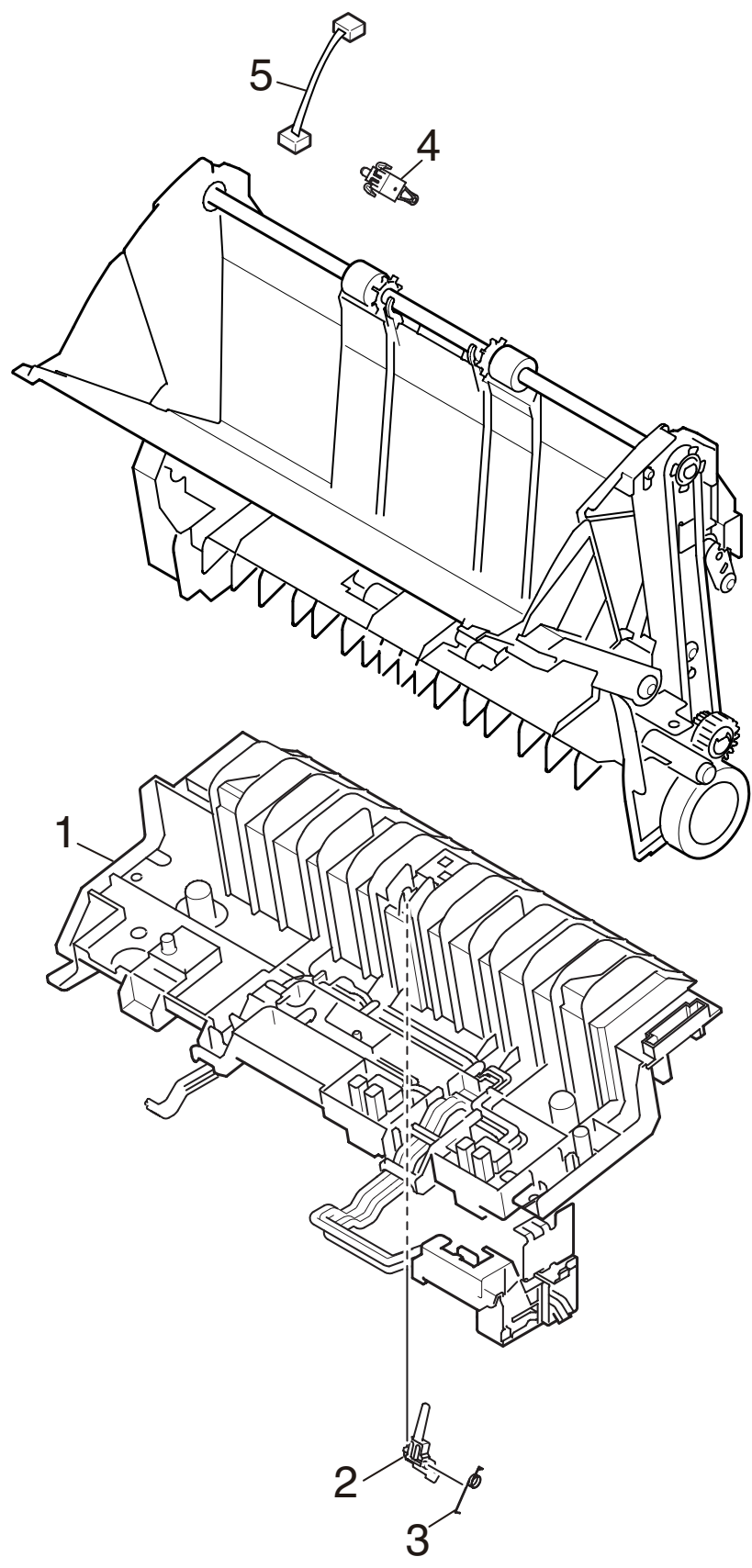
	Part Number	Part name	Q'ty /Unit	Recommended Q'ty/Year			Remarks
				per	per	per	
				500	1000	2000	
1	43276401	OR-Motor_Pulse_Belt	1	1	2	4	Belt Motor
2	43945401	CONN Cord-AMP4P-SW	1	2	4	8	Micro switch-Assy

Plate-Assy-Base



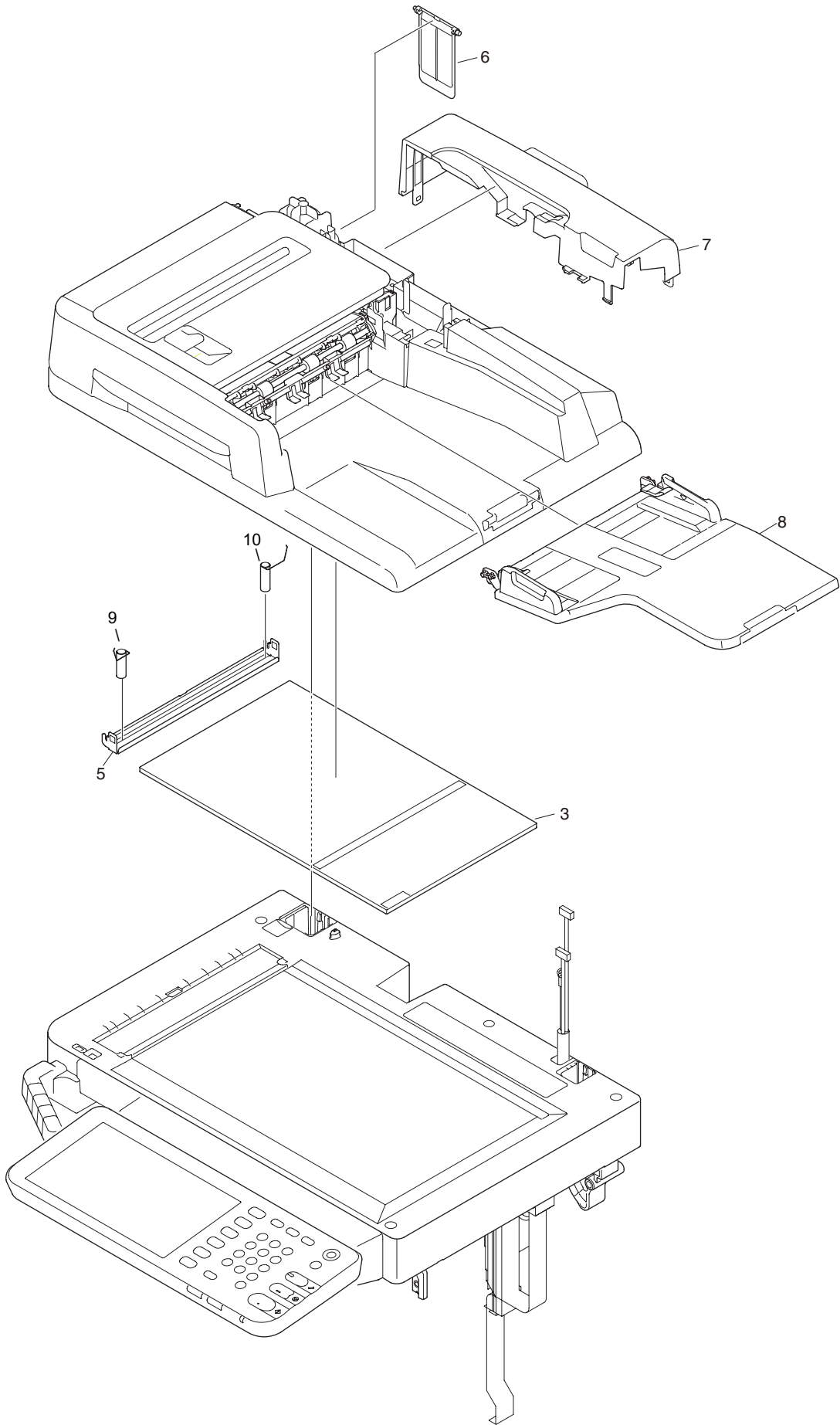
	Part Number	Part name	Q'ty /Unit	Recommended Q'ty/Year			Remarks
				per	per	per	
				500	1000	2000	
1	56740420	9715B-12Z02-G4C (2233013P0120)	1	2	4	8	
2	42699401	Roller-Pick-Up	1	1	2	4	
3	43000601	Roller-Feed-NOW	1	1	2	4	
4		Rubber-Foot	2	2	4	8	
5	44261401	Clutch	1	1	2	4	HOP Clutch
6	50425005	HS12-0010 (2055150P40000	1	1	2	4	Paper size switch
7		CONN Cord-AMP13P- AMP4PAMP2PAMP2PAMP5P	1	1	2	4	HOPMOT/FDCL/MPTCL/PSZ-PU

Eject-Assy



	Part Number	Part name	Q'ty /Unit	Recommended Q'ty/Year			Remarks
				per	per	per	
				500	1000	2000	
1	44259703	Guide Assy.-Eject-L-	1	1	2	4	
2	43101801	Lever-Exit-Sensor	1	1	2	4	
3	40386501	Spring-SNS(F/R)	1	1	2	4	
4		D2X-C (2071152P0001)	1	1	2	4	Micro-SW(FU Stack SNS)
5		CONN Cord-AMP4P-AMP2P	1	1	2	4	Cable(FU Stack SNS)

Scanner-Unit

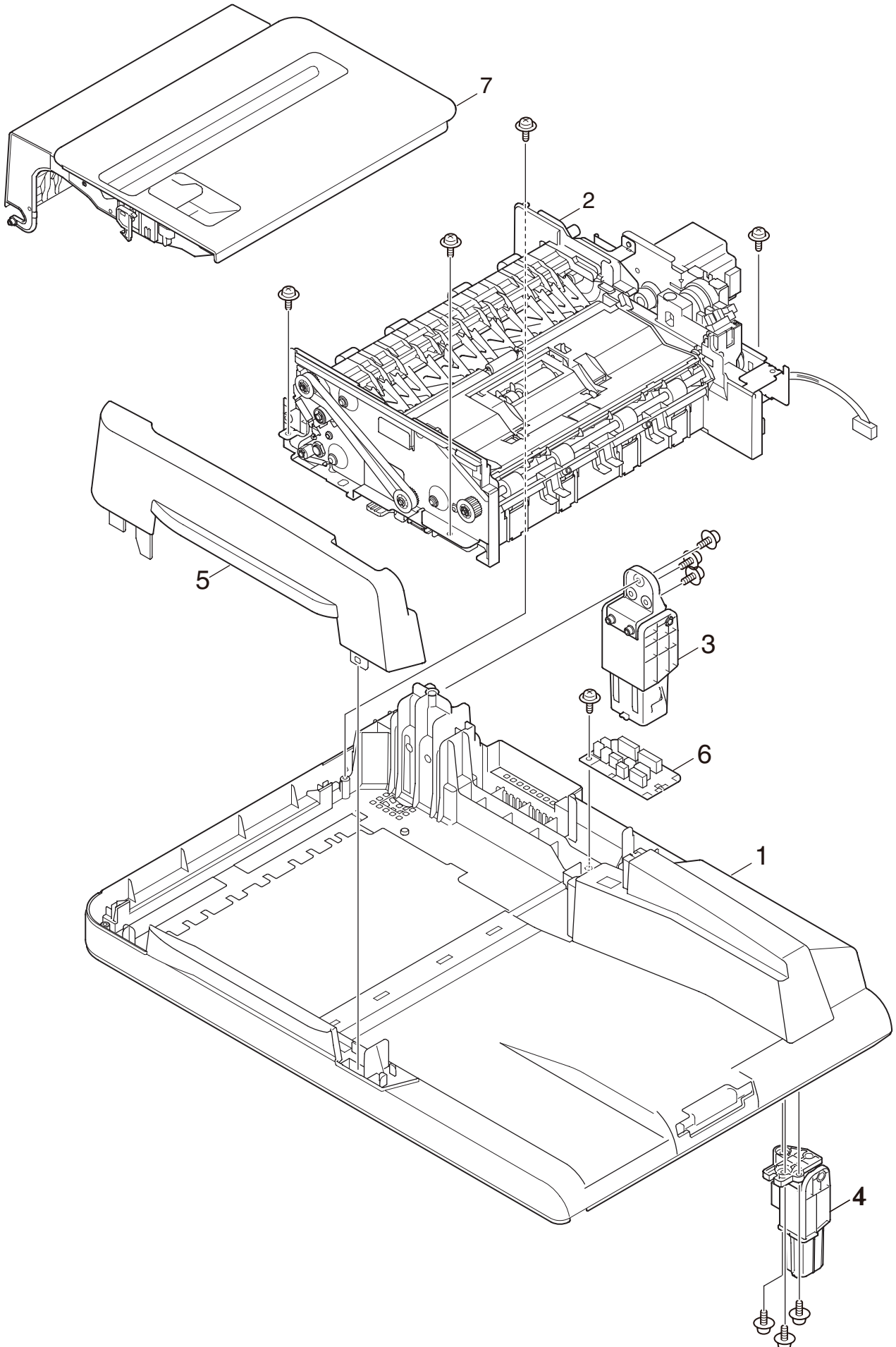


	Part Number	Part name	Q'ty /Unit	Recommended Q'ty/Year			Remarks
				per	per	per	
				500	1000	2000	
3	45055001	Sheet-Document	1	1	2	4	
5	45489401	Plate Assy. - (P.H.)	1	1	2	4	
6		Cover-Flap	1	1	2	4	
7	45055401	Cover-ADF(Rear)	1	1	2	4	
8	45062501	Tray-Assy-Document	1	1	2	4	

9 45055101 SPRING: PH (F)

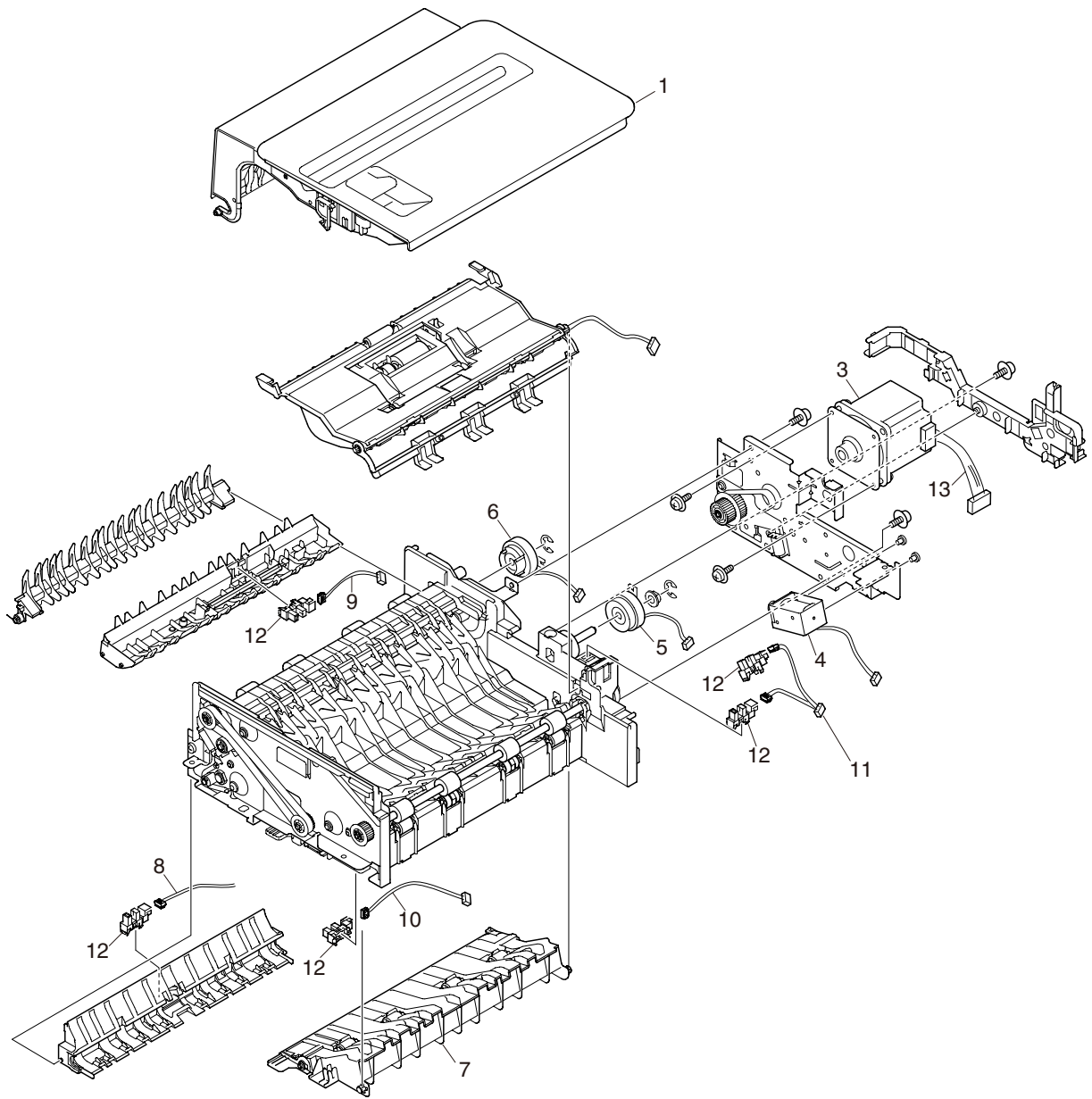
10 45055201 SPRING: PH (R)

ADF-Unit



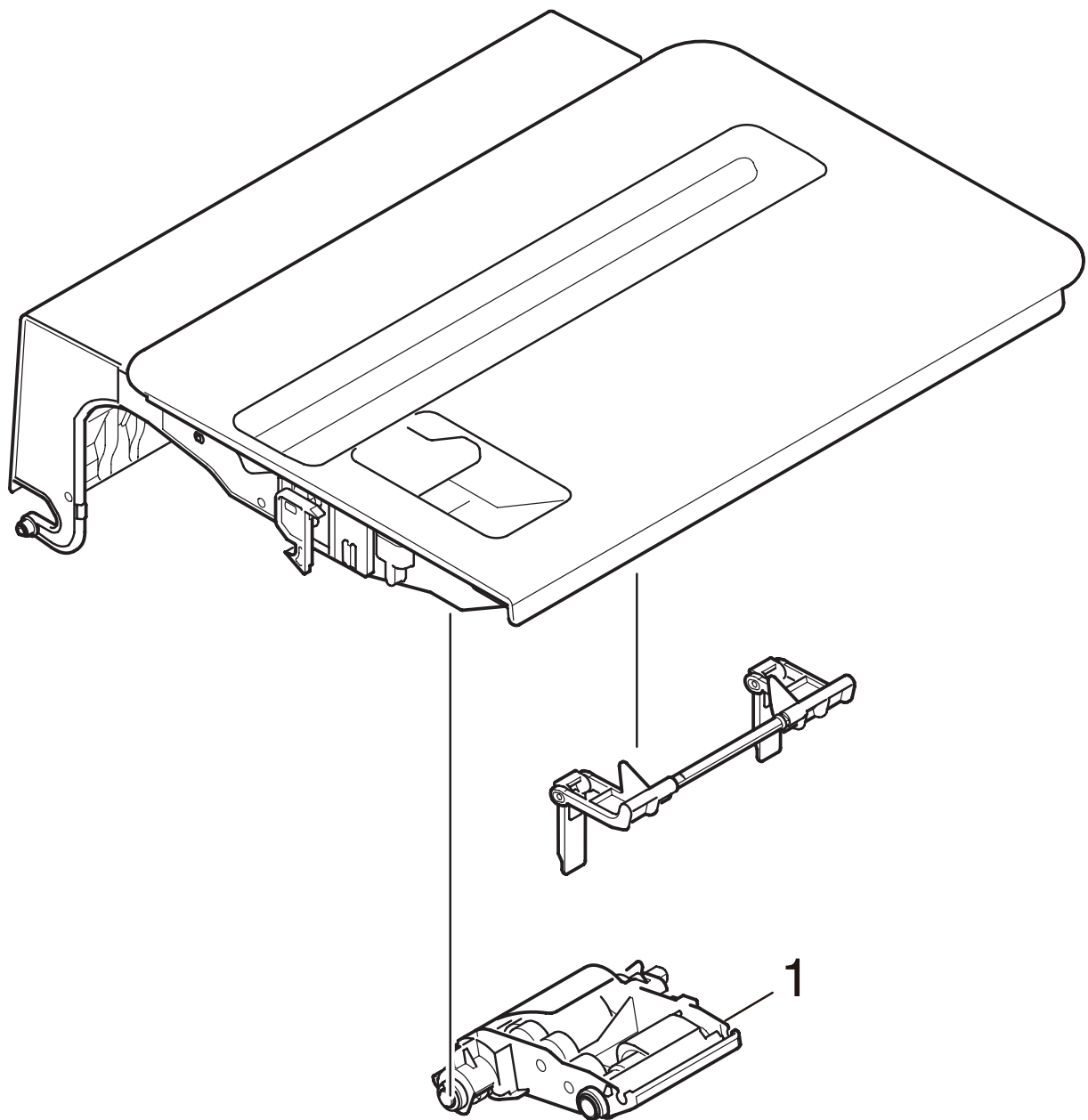
No.	Part No.	Part Name	Q'ty /Unit	Recommended Q'ty/Year			Remarks
				per 500	per 1000	per 2000	
1	45039901	Frame-Base(ADF)	1	1	2	4	
2	45059101	ADF-Assy	1	1	2	4	
3	45060901	Hinge-Assy.-(L)	1	1	2	4	
4	45061001	Hinge-Assy.-(R)	1	1	2	4	
5	45040001	Cover-ADF(Front)	1	1	2	4	
6	45169801	OR-Board-7RL	1	2	4	8	ADF Board
7	45059201	Cover-Assy-Top-ADF	1	1	2	4	

ADF-Assy



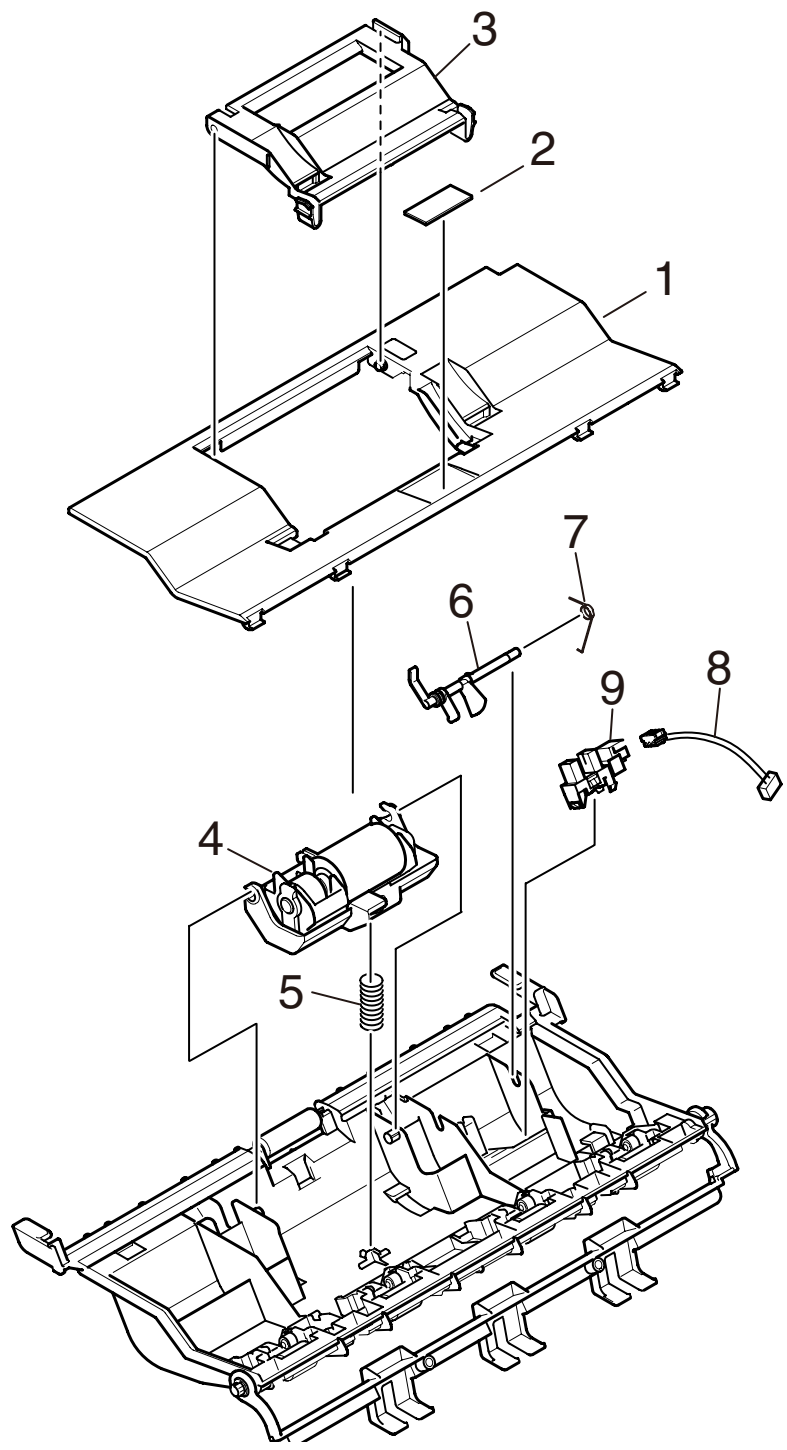
No.	Part No.	Part Name	Qty /Unit	Recommended Qty/Year			Remarks
				per 500	per 1000	per 2000	
1	45059201	Cover-Assy-Top-ADF	1	1	2	4	
2	45049401	Motor-ADF	1	1	2	4	ADF-Motor
3	42058303	Solenoid	1	1	2	4	ADF-Sol
4	44261406	Clutch-3.5	1	1	2	4	ADF-Hop-CL
5	44716101	Clutch-Hop-Op	1	1	2	4	ADF-Reg-CL
6		Guide-Assy-Exit-Lower	1	1	2	4	
7		CONN Cord-AMP3P-AMP3P	1	1	2	4	Set SNS
8		CONN Cord-AMP3P-JST3P	1	1	2	4	ADF-Rev SNS
9		CONN Cord-AMP3P-JST3P	1	1	2	4	ADF-Scan SNS
10		CONN Cord-AMP3P-AMP3P-AMP6P	1	1	2	4	Cover Open SNS
11	56128501	LG248BL1 6520414M0001	1	1	2	4	SNS
12		CONN Cord-JST6P-AMP4P	1	1	2	4	Motor-Cable

Cover-Assy-Top-ADF



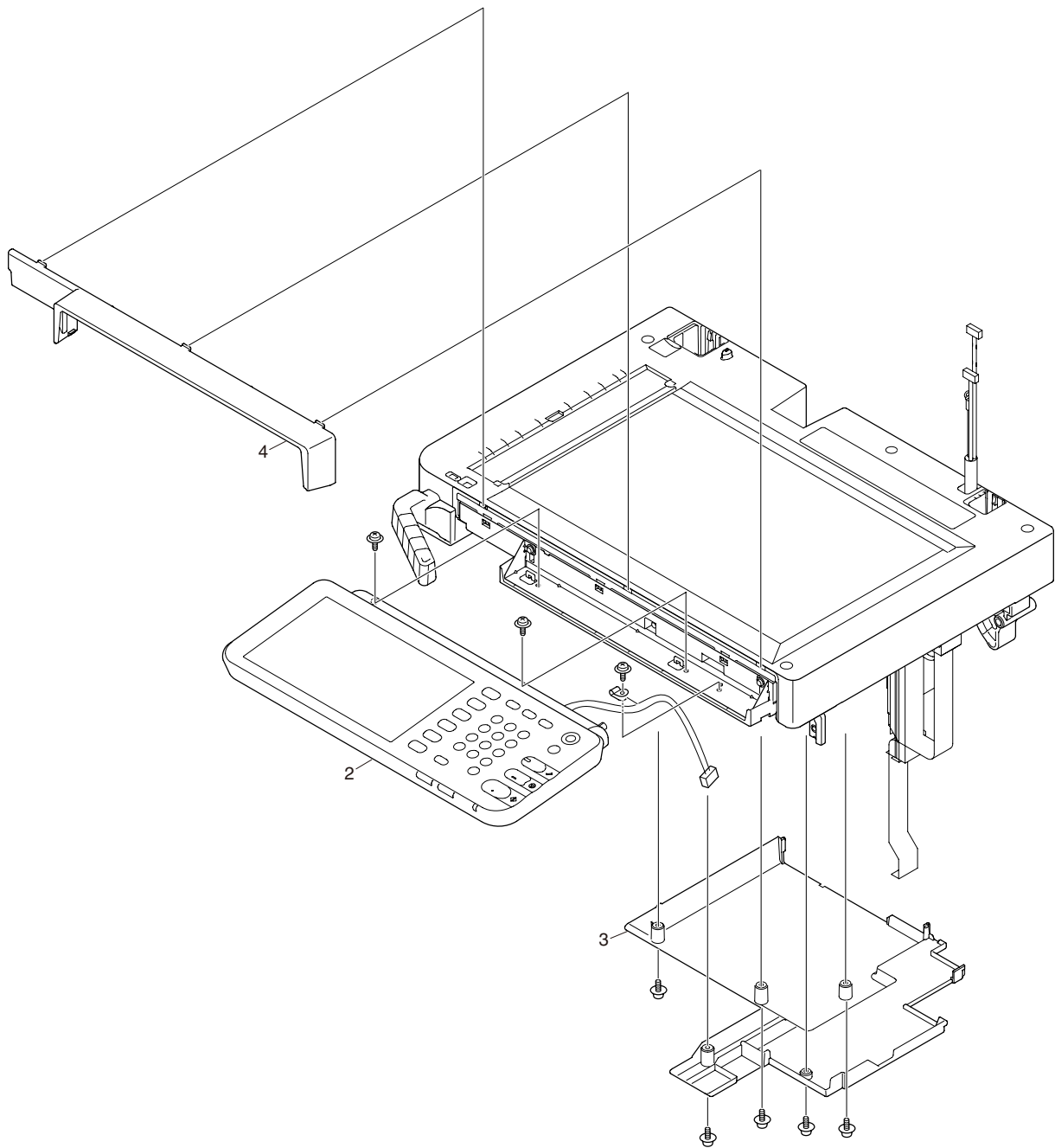
	Part Number	Part name	Q'ty /Unit	Recommended Q'ty/Year			Remarks
				per	per	per	
				500	1000	2000	
1	45059801	Frame-Assy-Hopping-ADF	1	2	4	8	

Guide-Assy-Retard



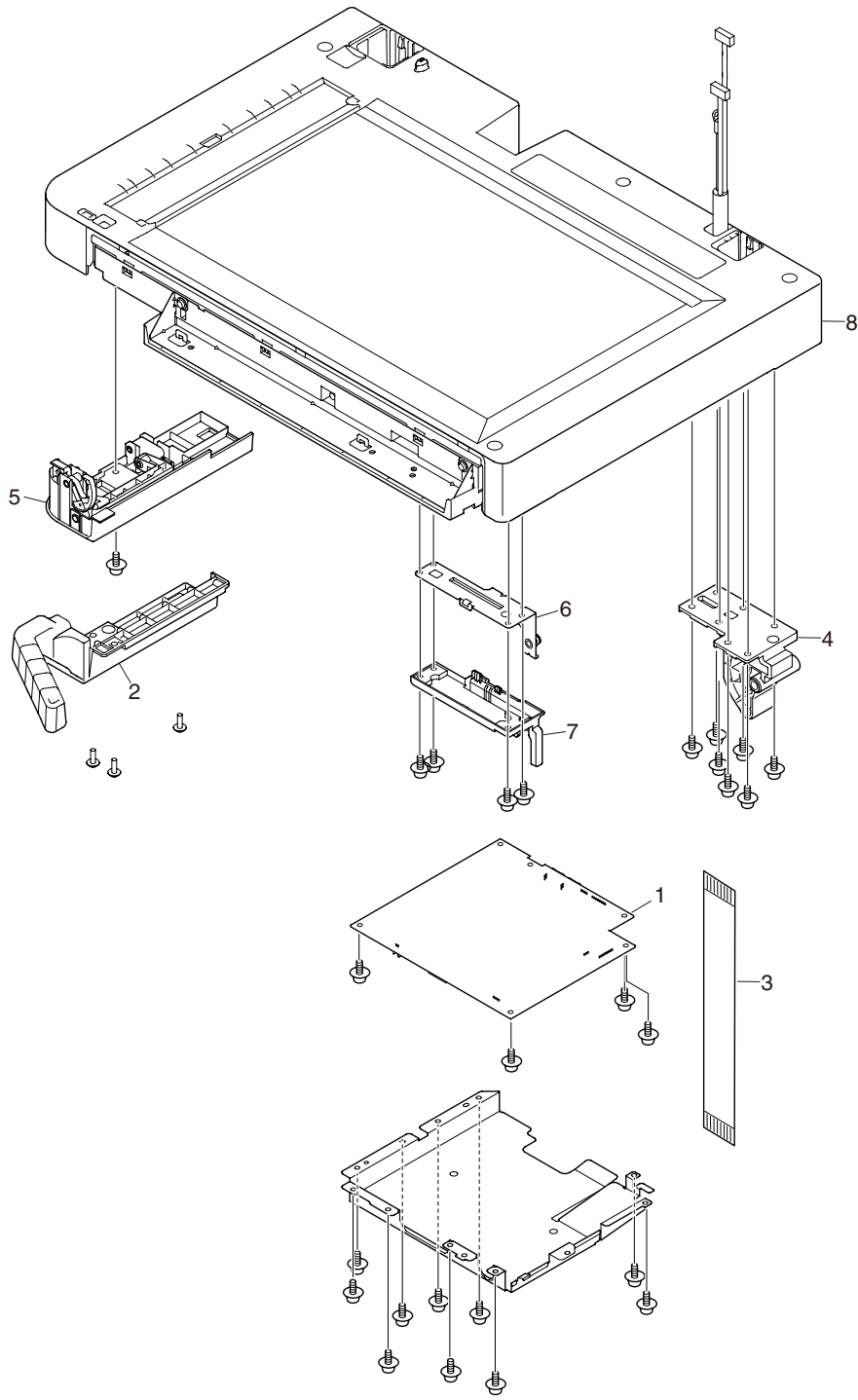
	Part Number	Part name	Q'ty /Unit	Recommended Q'ty/Year			Remarks
				per	per	per	
				500	1000	2000	
1	45056401	Guide-Retard(Sub)	1	1	2	4	
2	44533301	Rubber-Friction	1	1	2	4	
3		Cover-Retard(ADF)	1	1	2	4	
4	45060101	Frame-Assy-Retard	1	2	4	8	
5	45046301	Spring-Retard	1	1	2	4	
6	45045801	Lever-Hopping	1	1	2	4	
7	45045901	Spring - Hopping	1	1	2	4	
8		CONN Cord-AMP3P-JST4P	1	1	2	4	ADF-Hop SNS
9	56128501	LG248BL1 (6520414M0001)	1	1	2	4	SNS

Flatbed-Unit



	Part Number	Part name	Q'ty /Unit	Recommended Q'ty/Year			Remarks
				per 500	per 1000	per 2000	
2	45272001	Ope-panel-unit	1	1	2	4	
3		Cover-Bottom	1	1	2	4	
4		Cover-OP	1	1	2	4	

Frame-Assy-FB



	Part Number	Part name	Q'ty /Unit	Recommended Q'ty/Year			Remarks
				per 500	per 1000	per 2000	
1	45169401	OR-Board-7SU	1	2	4	8	
2		Handle-Scanner	1	1	2	4	
3		FFC24-520-1.0-002 (2381203P0019)	1	1	2	4	
4	45053601	Cam-Hinge(FB)	1	1	2	4	
5		Cover Assy.-LF	1	1	2	4	
6		Plate-Hinge-L(Caulking)	1	1	2	4	
7		Cover-Hinge(L)	1	1	2	4	
8	45484601	Flatbed(maintenance kit)	1	1	2	4	