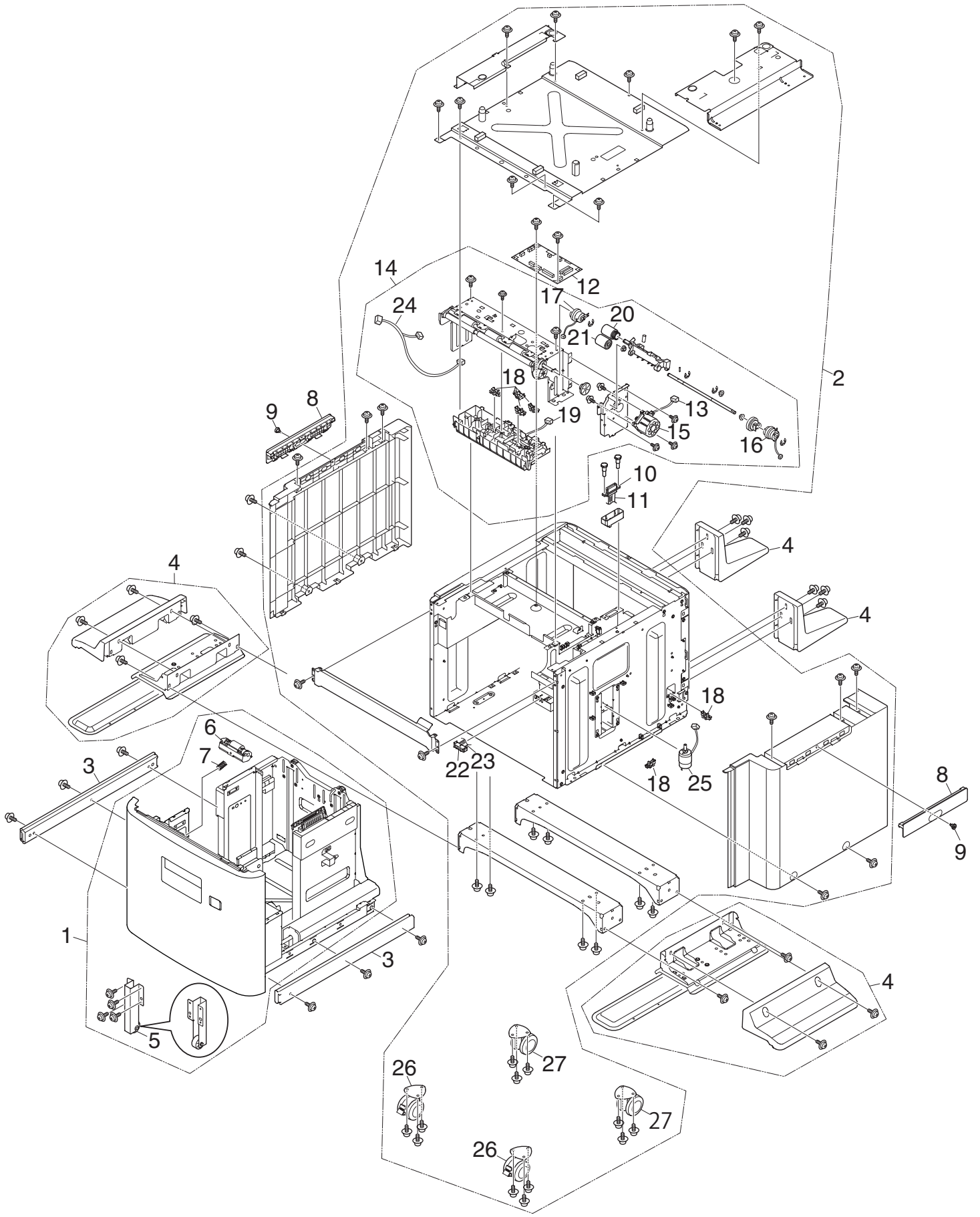


**MC770 / MC770+ / MC780 / MC780+ /  
MB760 / MB760+ / MB770 / MB770+ /  
MPS 3537 / MPS 4242 / MPS 5502 /  
B721dn/B731dn**

# **Large Capacity Feeder Illustrated Spare Parts Manual**



No.	P/N	Part name	Qty /unit	Per 500	Per 1000	Per 2000	Remarks
1	45491001	Tray-Assy	1	1	2	4	
2		Cabinet.Assy-LCF	1	1	2	4	
3		Slide-Rail(17)	2	2	4	8	
4		Leg-Assy-Support	2	2	4	8	
5	45499301	Caster-Assy-Tray	1	1	2	4	
6	45492601	Frame-Assy-Retard	1	1	2	4	
7	43963101	Spring-Retard	1	1	2	4	
8		Option-Joint	2	2	4	8	
9		Screw-Knob	2	2	4	8	
10		9715S-12Z02-G4C (2233014P0120)	1	1	2	4	
11		CONN Cord-AMP12P- AMP12P	1	1	2	4	
12	45528401	OR-Board Assy. -GOI-1	1	3	6	12	
13		CONN Cord-AMP4P-JST4P	1	1	2	4	
14	45503101	Frame.Assy-Hop	1	1	2	4	
15	45074701	Motor-KTL40M(Z18)	1	1	2	4	
16	43819603	Clutch-24V MCA-26G	1	1	2	4	
17	43819602	Clutch-24V MCA-26G	1	1	2	4	
18	55631301	GP1A173LCS2F (6520028M0001)	6	2	4	8	
19		CONN Cord-AMP3PX4- AMP15P	1	1	2	4	
20	42699401	Roller-Pick-Up	1	1	2	4	
21	43000601	Roller-Feed-NOW	1	1	2	4	
22	50425005	HS12-0010 (2055150P4000)	1	1	2	4	
23		CONN Cord-AMP5P- AMP5P	1	1	2	4	
24		CONN Cord-AMP3P- AMP3P-AMP6P	1	1	2	4	
25	45504501	Motor-Assy-Liftup	1	1	2	4	
26		Caster(OptionLCF)	2	1	2	4	
27		Caster(OptionLCF)	2	1	2	4	