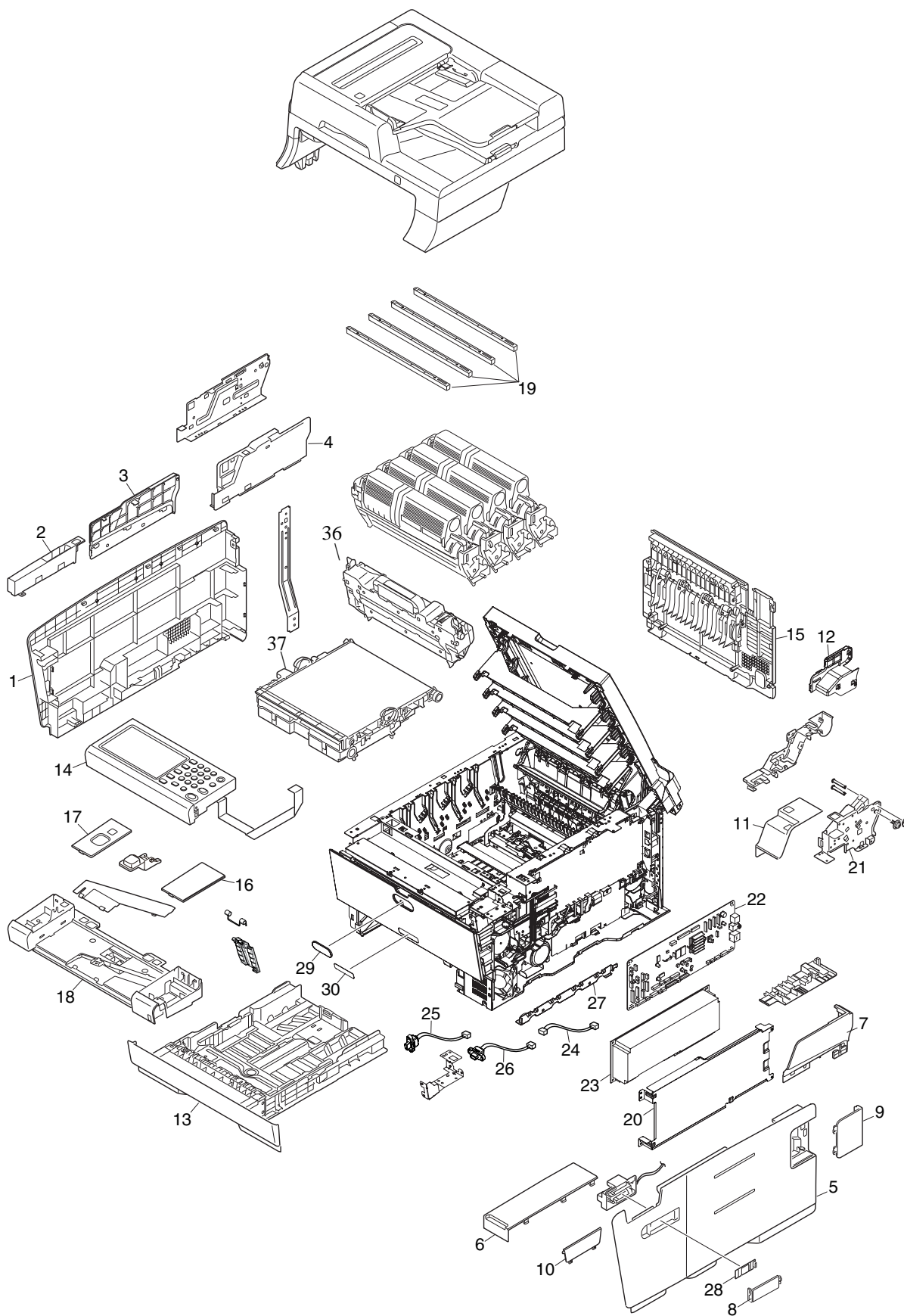


**MC573dn
ES5473MFP
Illustrated Spare
Parts Manual**

071516A

This Page Is Intentionally Blank

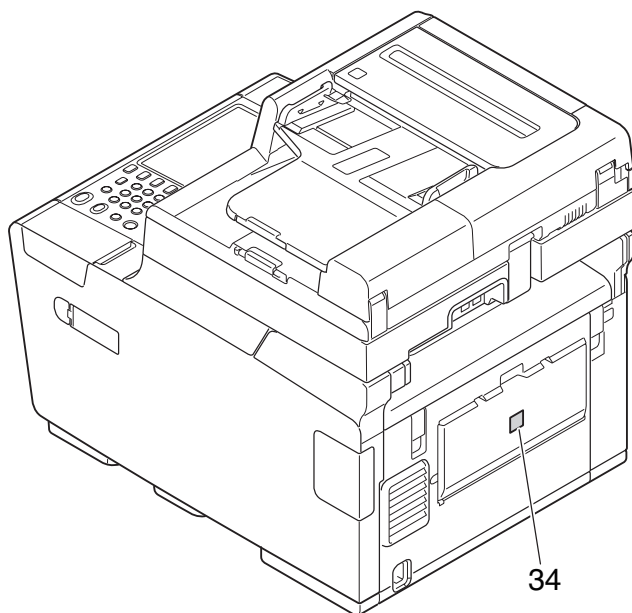
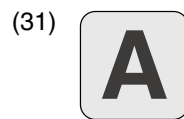
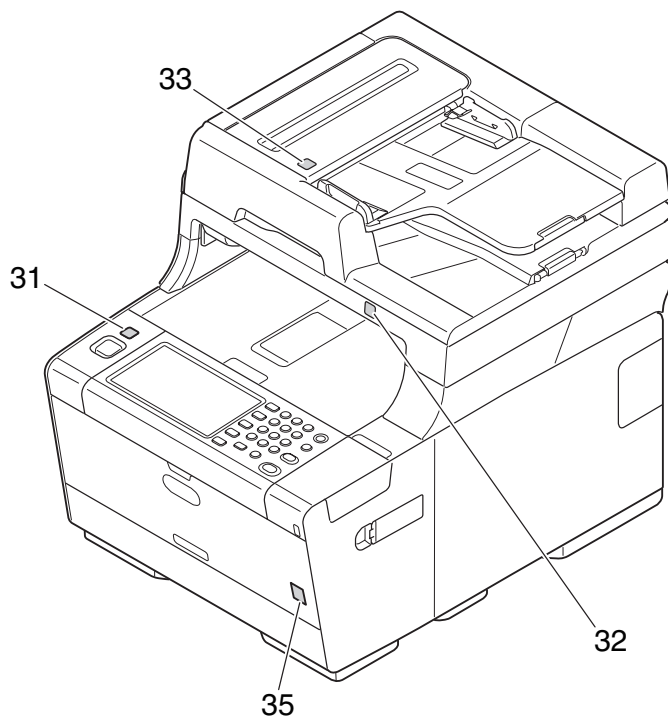
MFP-Unit-1 (MC573/ES5473MFP)



Unit Name	No.	Part No.	Part Name	Q'ty /Unit	Recommended Qty/Year			Remarks
					per 500	per 1000	per 2000	
MFP-NIP	1	46142101	Cover-Side(L)	1	1	1	1	
MFP-NIP	2		Cover Assy.-Side(L-Sub)	1	1	1	1	
MFP-NIP	3		Cover-Side(L-MFP)	1	1	1	1	
MFP-NIP	4		Cover Assy.-Stay(L)	1	1	1	1	
MFP-NIP	5	46142201	Cover-Side(R)	1	1	1	1	
MFP-NIP	6		Cover-Side(R-Sub)	1	1	1	1	
MFP-NIP	7		Cover-Side(R-MFP)	1	1	1	1	
MFP-NIP	8		Cover-WLAN	1	1	1	1	
MFP-NIP	9		Cover-IF	1	1	1	1	
MFP-NIP	10		Cover-Side-IC(St)	1	1	1	1	
MFP-NIP	11		Cover-Hinge	1	1	1	1	
MFP-NIP	12		Cover-Hinge(RB)	1	1	1	1	
MFP-NIP	13	44454102	Case-Cassette-Assy.-760	1	1	1	1	
MFP-NIP	14	46199604	Frame-Assy-OP-7Inch_MFP	1	1	1	1	Excpet JPN
MFP-NIP	15		Cover-Assy.-Rear	1	1	1	1	
MFP-NIP	16		Cover-Card	1	1	1	1	
MFP-NIP	17		Cover-OP(Sub)	1	1	1	1	
MFP-NIP	18		Frame-OP panel-Base	1	1	1	1	
MFP-NIP	19	46104402	LED Head Unit-61TRD2	4	1	1	1	1200dpi
MFP-NIP	20		Plate-Shield(CU)	1	1	1	1	
MFP-NIP	21		Hinge-Assy-FB	1	1	1	1	
MFP-NIP	22	46113410	Maintenance Board-76M	1	1	1	1	Board PU/CU MC573dn ODNA
MFP-NIP	22	46113430	Maintenance Board-76M	1	1	1	1	Board PU/CU ES5473 MFP ODNA
MFP-NIP	23	46496101	PWR unit-ACDC Switch	1	1	1	1	PWR Unit 100V-120V
MFP-NIP	23	45651001	PWR unit-ACDC Switch	1	1	1	1	PWR Unit 230V
MFP-NIP	24		CONN Cord-JST14P-JST14P	1	1	1	1	PWR unit-PU/CU
MFP-NIP	25		CONN Cord-USB-AMP5P	1	1	1	1	Host USB-PU/CU
MFP-NIP	26		CONN Cord-USB-JST5P	1	1	1	1	IC Card-PU-CU
MFP-NIP	27		Plate-Lockout	1	1	1	1	MC573

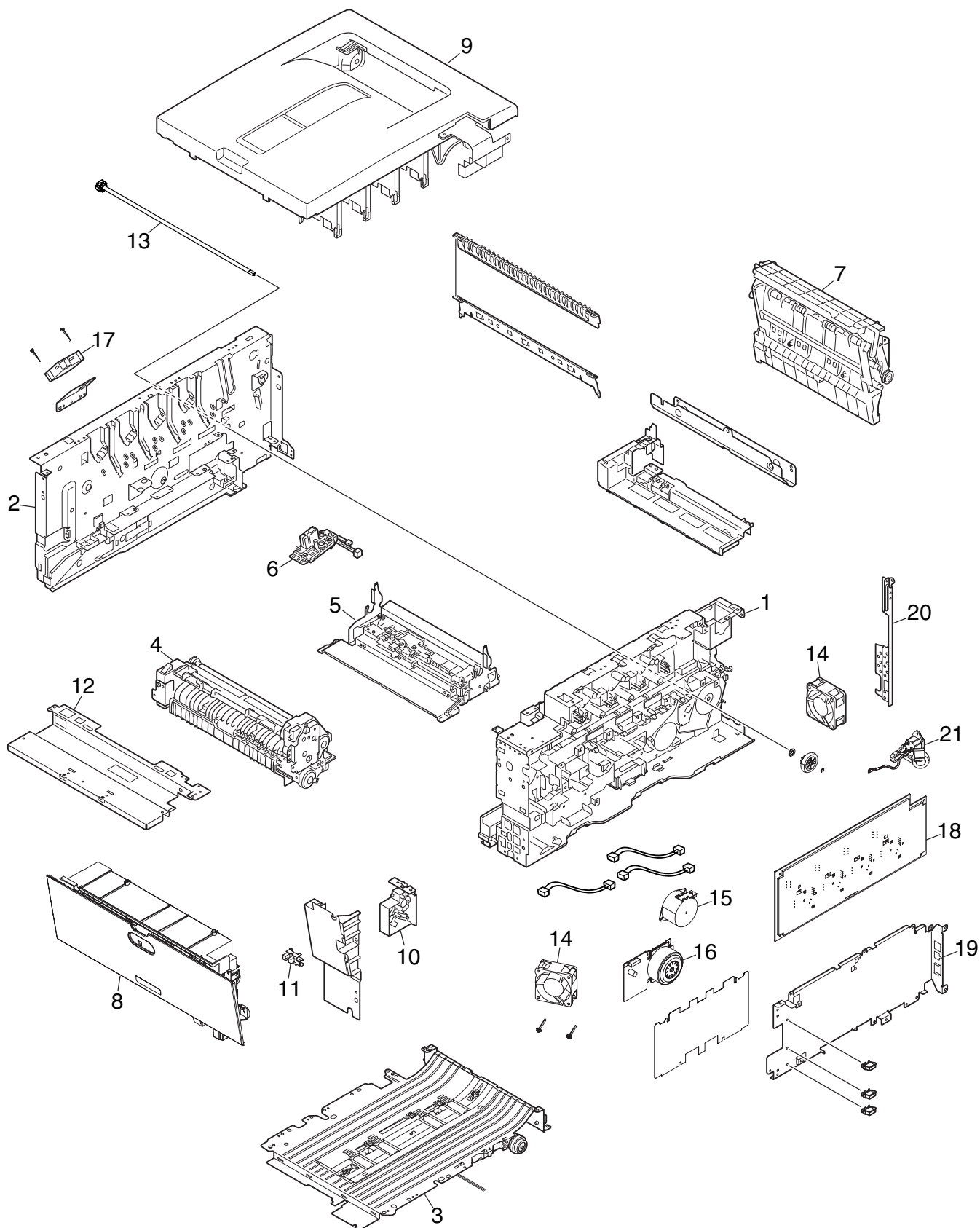
Unit Name	No.	Part No.	Part Name	Q'ty /Unit	Recommended Q'ty/Year			Remarks
					per 500	per 1000	per 2000	
MFP-NIP	27		Plate-Lockout_ES	1	1	1	1	ES5473 MFP
MFP-NIP	29	45249502	Plate-Logo	1	1	1	1	Sensor Assy-PU/CU
MFP-NIP	30	46306324	Plate-Name_MC573	1	1	1	1	MC573
MFP-NIP	30	46306325	Plate-Name_ES5473	1	1	1	1	ES5473 MFP
MFP-NIP	31		Label-Maintenance(A)	1	1	1	1	
MFP-NIP	32		Label-Maintenance(B)	1	1	1	1	
MFP-NIP	33		Label-Maintenance(C)	1	1	1	1	
MFP-NIP	34		Label-Maintenance(D)	1	1	1	1	
MFP-NIP	35		Label-Energy_Star	1	1	1	1	
MFP-NIP	36	46358501	Fuser Unit-120V	1	1	1	1	120 Volt Fuse Assembly
MFP-NIP	37	46394901	Belt Unit	1	1	1	1	Transfer Belt Assembly

MFP-Unit-2



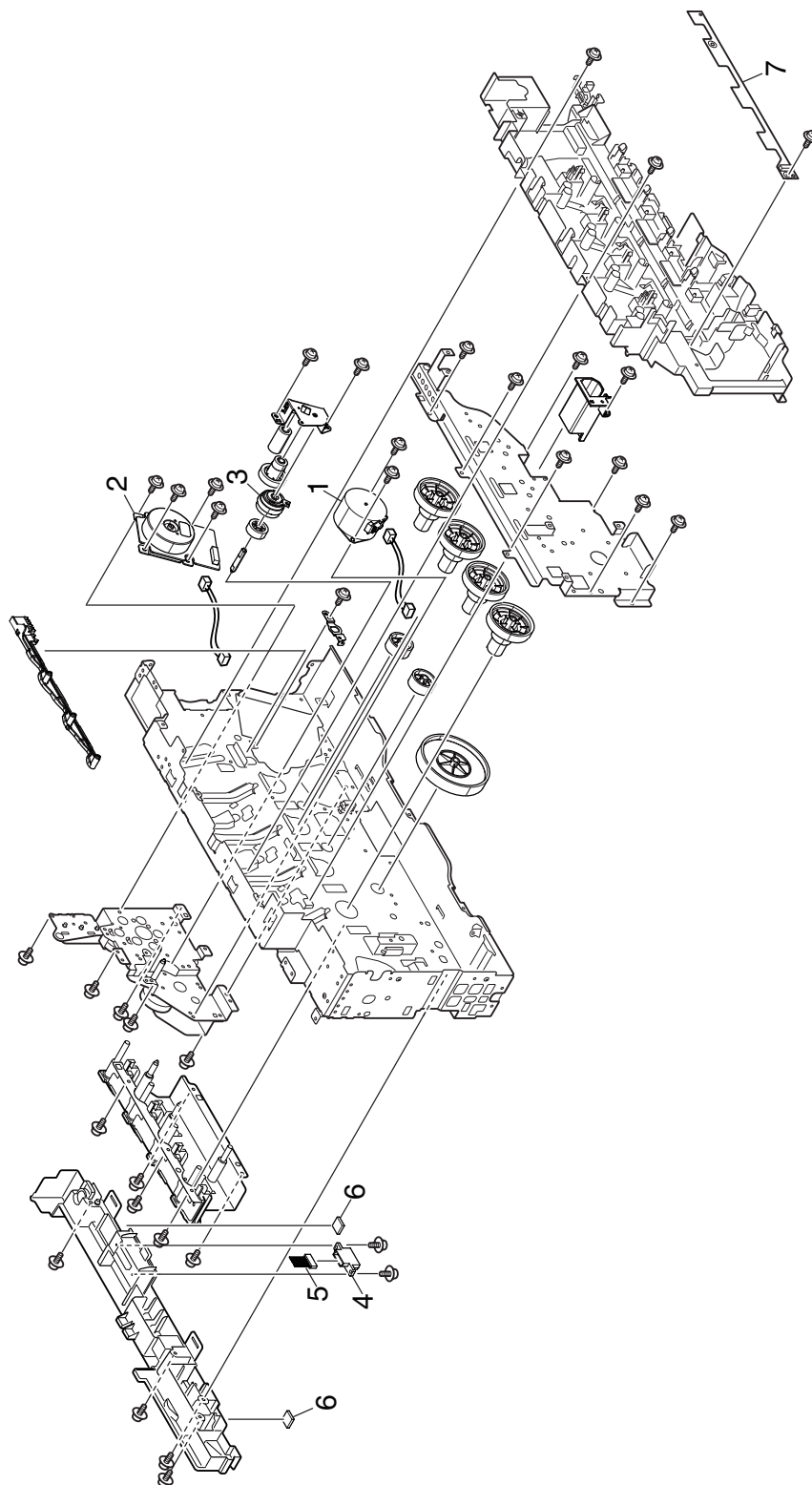
Unit Name	No.	Part No.	Part Name	Q'ty /Unit	Recommended Qty/Year			Remarks
					per 500	per 1000	per 2000	
MFP-NIP	31		Label-Maintenance(A)	1	1	1	1	
MFP-NIP	32		Label-Maintenance(B)	1	1	1	1	
MFP-NIP	33		Label-Maintenance(C)	1	1	1	1	
MFP-NIP	34		Label-Maintenance(D)	1	1	1	1	
MFP-NIP	35		Label-Energy_Star	1	1	1	1	

Printer-Unit



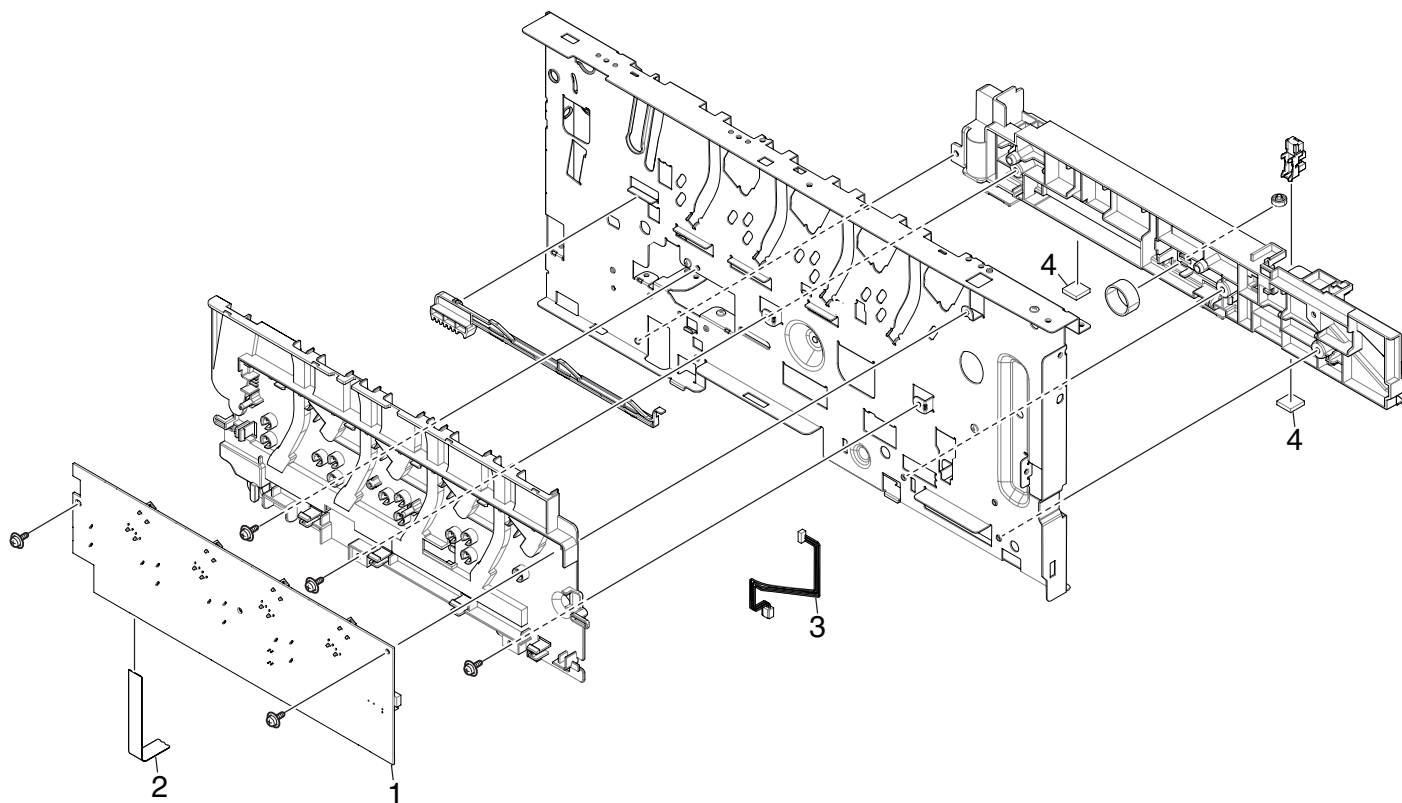
Unit Name	No.	Part No.	Part Name	Q'ty /Unit	Recommended Qty/Year			Remarks
					per 500	per 1000	per 2000	
Printer-Unit	1	46199201	Side-R Assy.	1	1	1	1	
Printer-Unit	2	46199301	Side-L Assy.	1	1	1	1	
Printer-Unit	3	44452502	Base-Assy	1	1	1	1	
Printer-Unit	4	44452702	Front Assy.-Hop/Reg	1	1	2	4	
Printer-Unit	5	44452602	Sensor Assy.-Regist	1	1	1	1	
Printer-Unit	6	44454002	FG-Assy-Fuser	1	1	1	1	
Printer-Unit	7	46199701	Eject-Assy	1	1	1	1	
Printer-Unit	8	46203701	Frame-Assy-MPT	1	1	1	1	
Printer-Unit	9	46199401	Cover-Top-Assy	1	1	1	1	
Printer-Unit	10		Switch Assy.-InterLock	1	1	1	1	
Printer-Unit	11	55631302 (6520028M0002)	GP1A173LCS3F	1	1	1	1	MPT-PE_SNS.
Printer-Unit	12		Plate-Front	1	1	1	1	
Printer-Unit	13	44453802	Shaft-Liftup-Assy	1	1	1	1	
Printer-Unit	14	44352501	Motor-FAN(60x25)	2	1	1	1	Front-Fan/Rear-FAN
Printer-Unit	15	46499801	OR-Motor_Pulse_HOP	1	1	1	1	HOP-Motor (Same Plate-R Assy. No.15.)
Printer-Unit	16	46207301	Motor-DC(ID)	1	1	1	1	ID-Motor
Printer-Unit	17	44353601	Motor-Fan(Blower)	1	1	1	1	
Printer-Unit	18	46294401	OR-Board-76C	1	1	1	1	(High Voltage)
Printer-Unit	19		Plate-Board(A)	1	1	1	1	
Printer-Unit	20		Plate-Rear	1	1	1	1	
Printer-Unit	21		CONN Cord- JST3P-INLET for 750MLK	1	1	1	1	INLET

Plate-Assy-Side-R



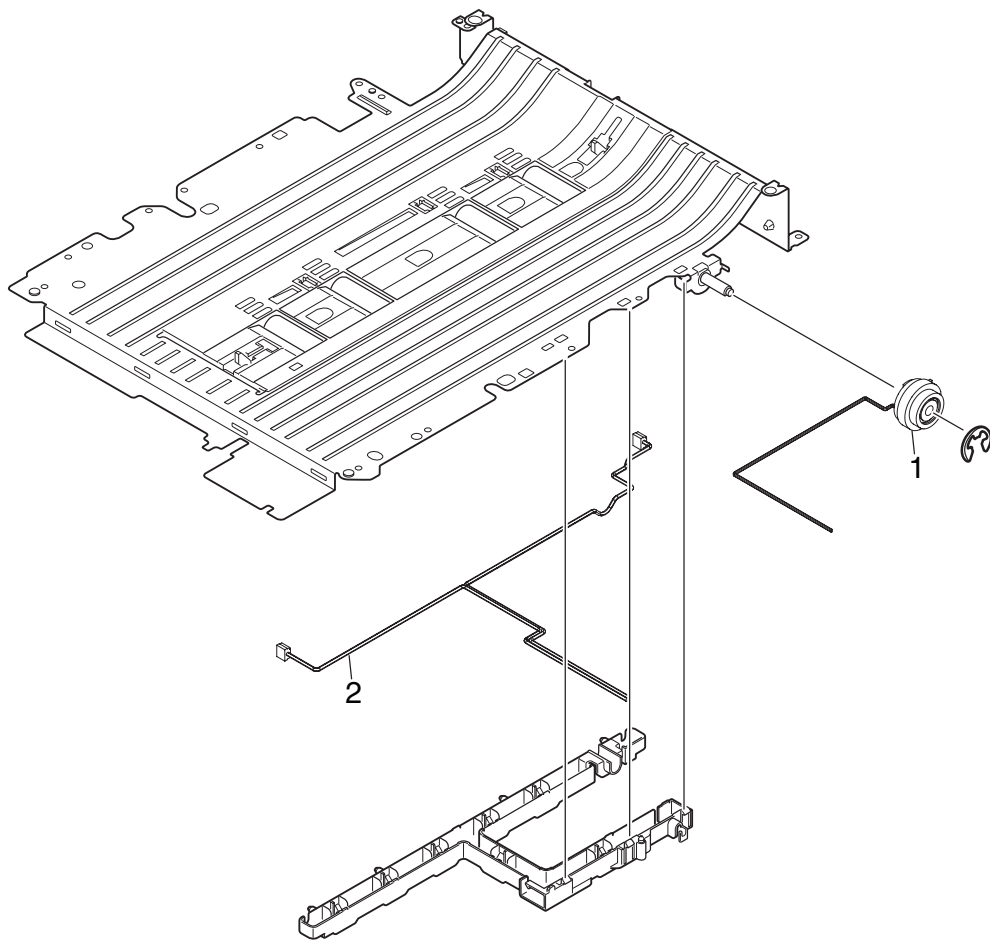
Unit Name	No.	Part No.	Part Name	Q'ty /Unit	Recommended Qty/Year			Remarks
					per 500	per 1000	per 2000	
Side-R Assy	1	46499801	OR-Motor_Pulse_HOP	1	1	1	1	BeltMotor (Same of parts Printer-Unit No.1.)
Side-R Assy	2	44349601	Motor-DC(F)	1	1	1	1	FuserMotor
Side-R Assy	3	44369901	Gear Assy.-CL35Z25	1	1	2	3	UP/Down-Clutch
Side-R Assy	4	56740420 (2233013P0120)	9715B-12Z02-G4C	1	1	1	1	
Side-R Assy	5		CONN Cord-AMP12P-AMP12P	1	1	1	1	OptionTray-PU/CU
Side-R Assy	6		Rubber-Foot	2	1	1	1	(Same of parts Plate-L Assy No.4)
Side-R Assy	7	46095901	OR-Board-76T	1	1	1	1	Toner-Sensor

Plate-Assy-Side-L



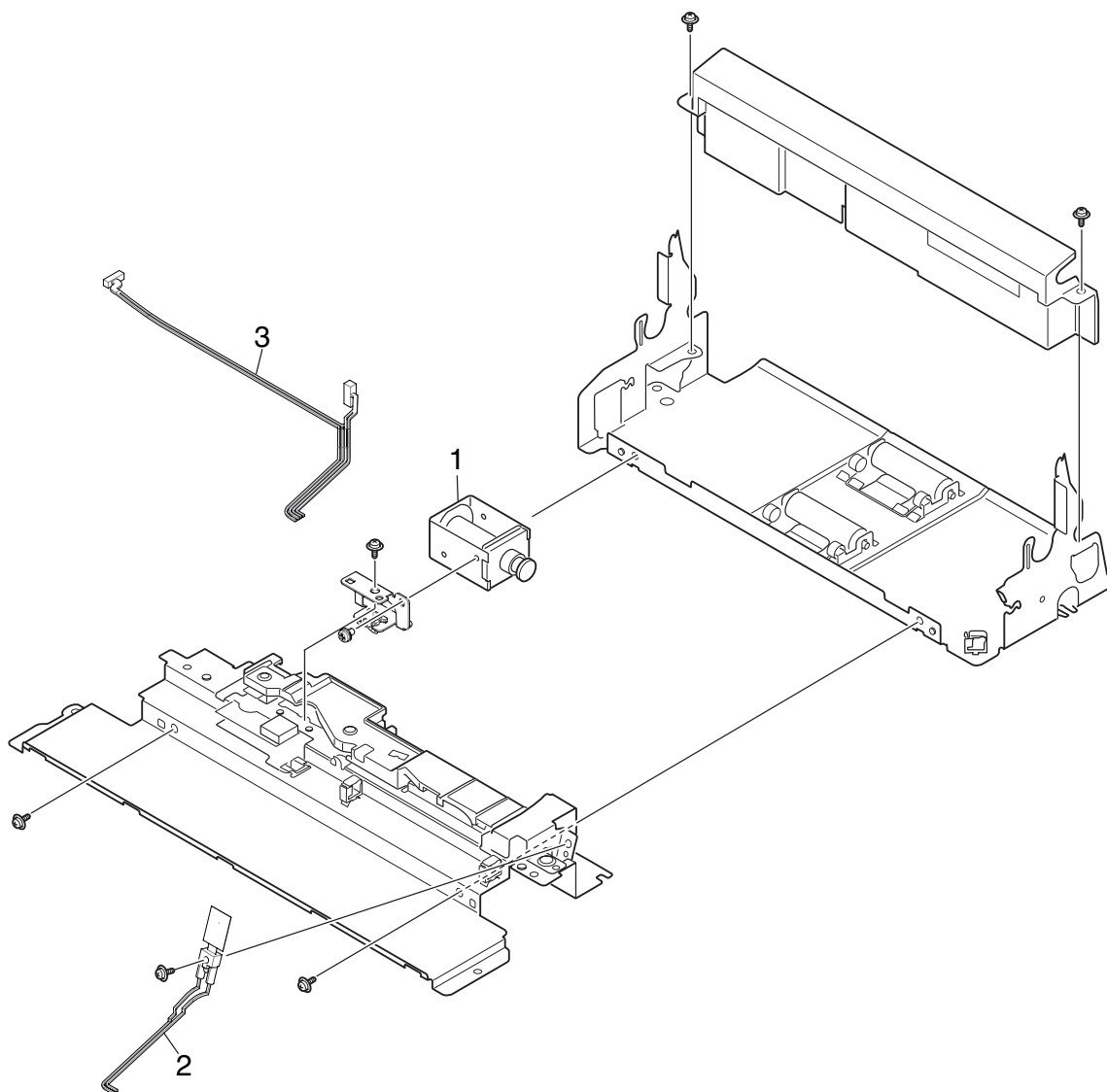
Unit Name	No.	Part No.	Part Name	Q'ty /Unit	Recommended Qty/Year			Remarks
					per 500	per 1000	per 2000	
Side-L Assy	1	46096301	OR-Board-76E	1	1	1	1	76E-Borad
Side-L Assy	2	46303901	FFC-P1.0_A_L70_N26	1	1	1	1	76E-CU
Side-L Assy	3	44429801	CONN Cord-AMP3P-AMP3P	1	1	1	1	Cass. SNS-76E
Side-L Assy	4		Rubber-Foot	1	1	1	1	(Same of parts Plate-R Assy No.8)

Base-Assy



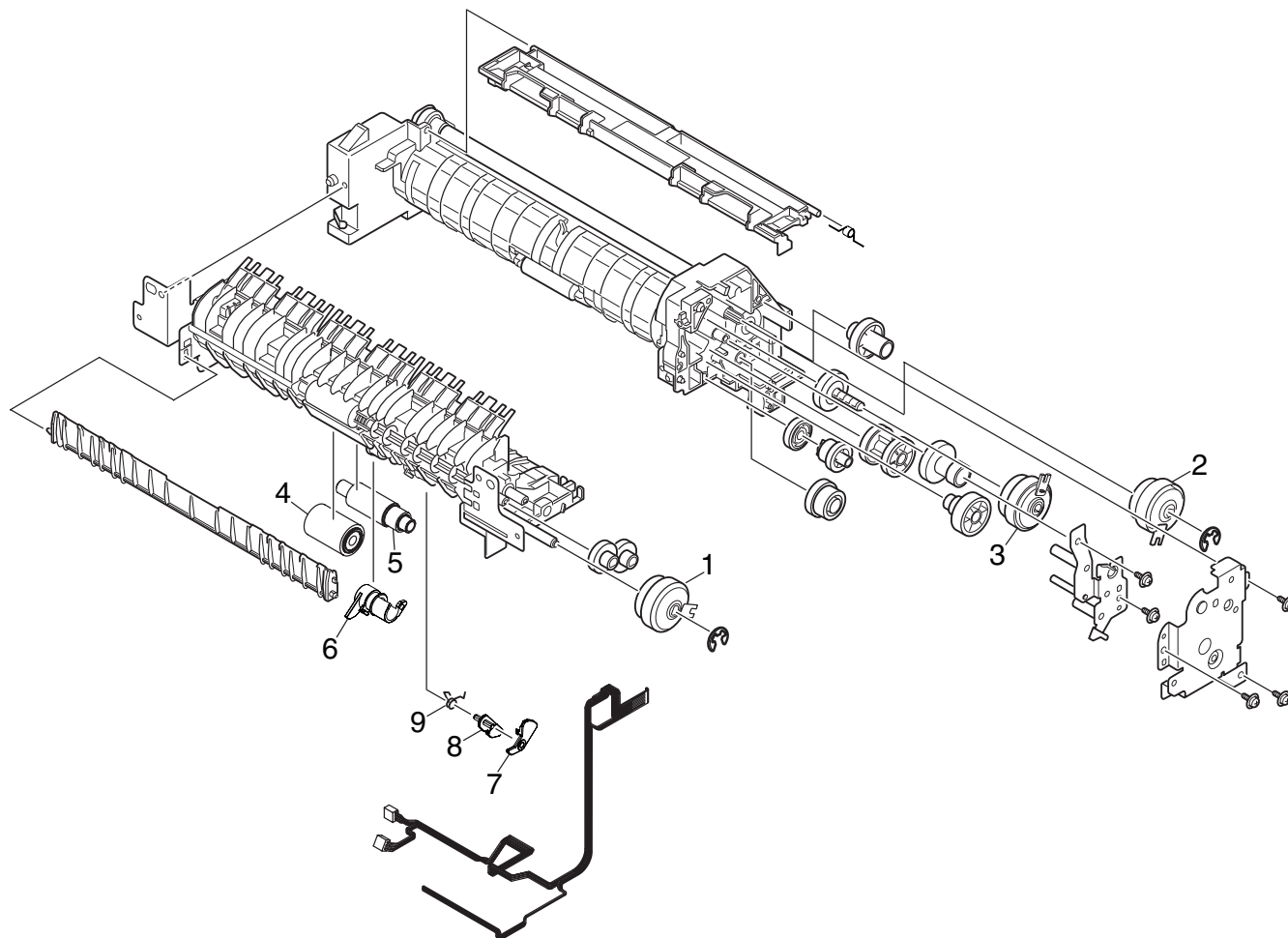
Unit Name	No.	Part No.	Part Name	Q'ty /Unit	Recommended Qty/Year			Remarks
					per 500	per 1000	per 2000	
Base-Assy	1	44354901	Gear-Assy.-CL25Z19	1	1	1	1	Duplex-Clutch
Base-Assy	2	46197401	CONN Cord-AMP6P-AMP3P AMP3P	1	1	1	1	Dup.SNS-PU/CU

Sensor-Assy.-Regist



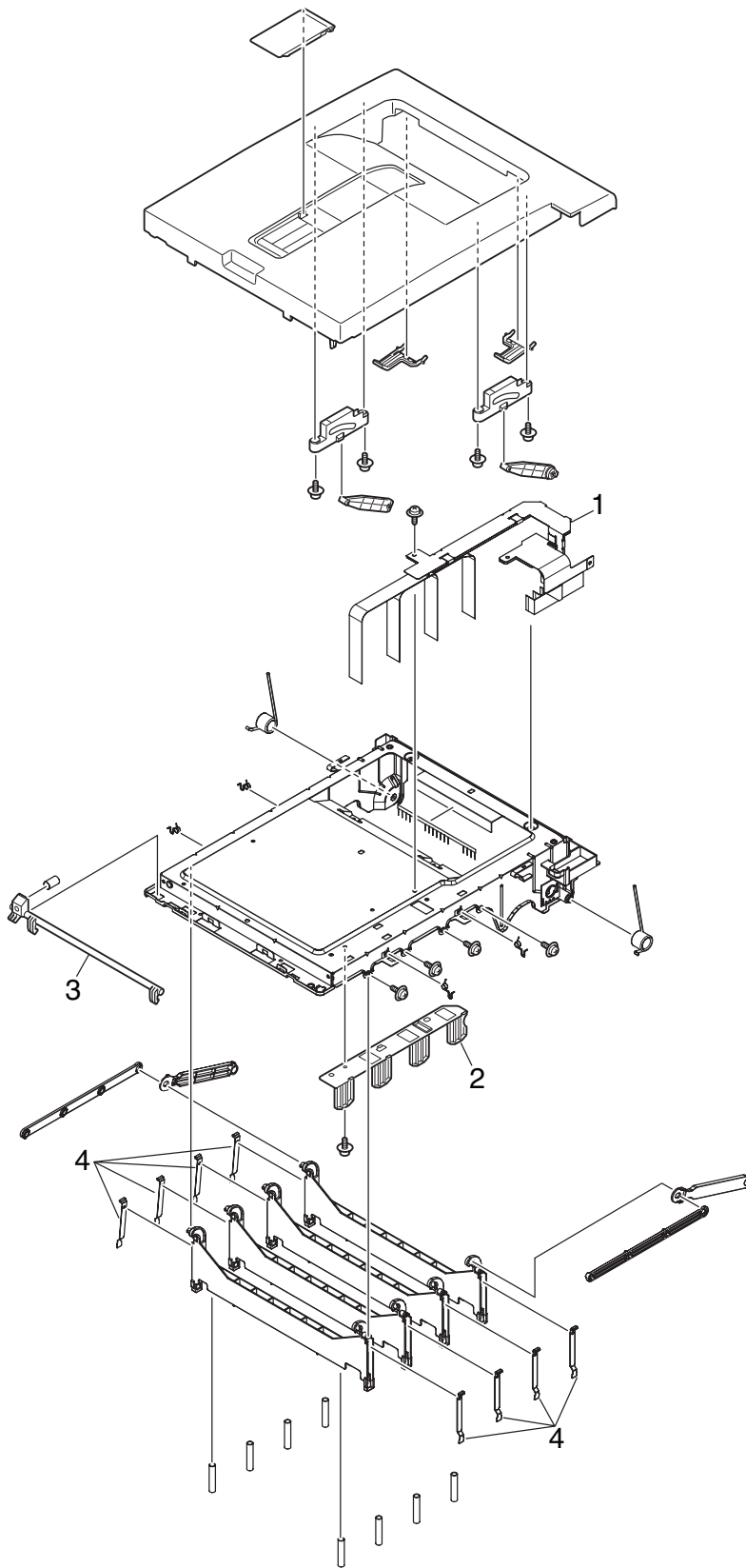
Unit Name	No.	Part No.	Part Name	Q'ty /Unit	Recommended Qty/Year			Remarks
					per 500	per 1000	per 2000	
Sensor Assy.-Regist	1	42058304	Solenoid	1	1	1	1	
Sensor Assy.-Regist	2	42605201	Thermistor-Belt	1	1	1	1	
Sensor Assy.-Regist	3	46197701	CONN Cord-AMP10P-AMP5P_AMP5P	1	1	1	1	Sensor Assy-PU/CU

Front Assy.-Hop/Reg



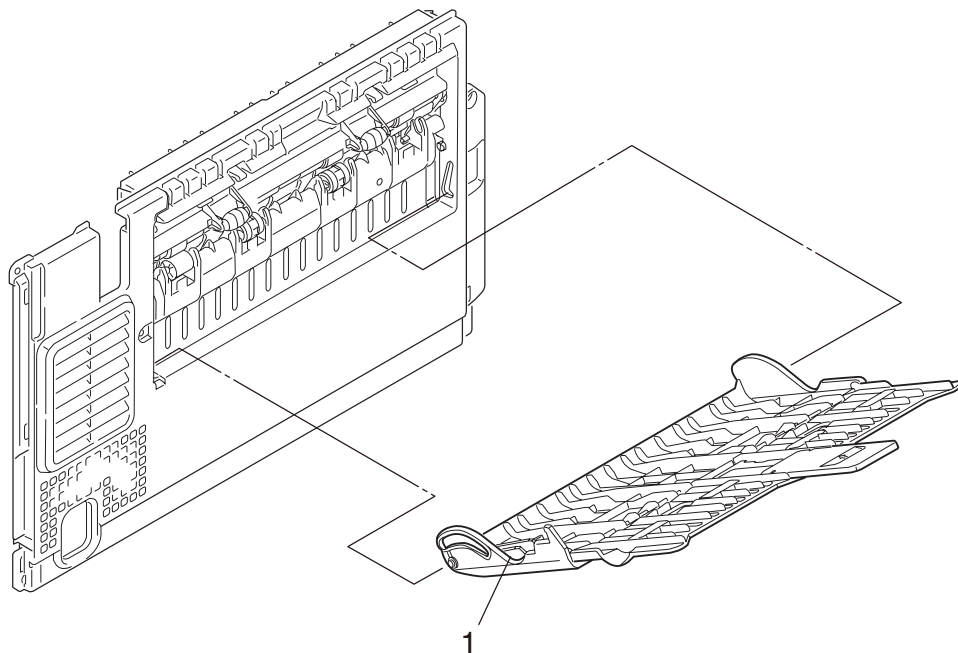
Unit Name	No.	Part No.	Part Name	Q'ty /Unit	Recommended Qty/Year			Remarks
					per 500	per 1000	per 2000	
Front Assy.-Hop/Reg	1	44261403	Clutch-3.5	1	1	1	1	Hop.-Clutch
Front Assy.-Hop/Reg	2	44261404	Clutch-4.5	1	1	1	1	Reg.-Clutch
Front Assy.-Hop/Reg	3	44261406	Clutch-3.5	1	1	1	1	MPT-Clutch(Same part of ADF-Assy No.8)
Front Assy.-Hop/Reg	4	44483301	Roller-Assy-Hopping	1	1	2	4	
Front Assy.-Hop/Reg	5	44483601	Roller-Assy-PickUp	1	1	2	4	
Front Assy.-Hop/Reg	6	44358001	Lever-Sensor-Hopping	1	1	1	1	
Front Assy.-Hop/Reg	7	44549801	Lever-End	1	1	1	1	
Front Assy.-Hop/Reg	8	45695901	Lever-End-Sub	1	1	1	1	
Front Assy.-Hop/Reg	9	44550001	Spring-Lever-End	1	1	1	1	

Cover-Top-Assy



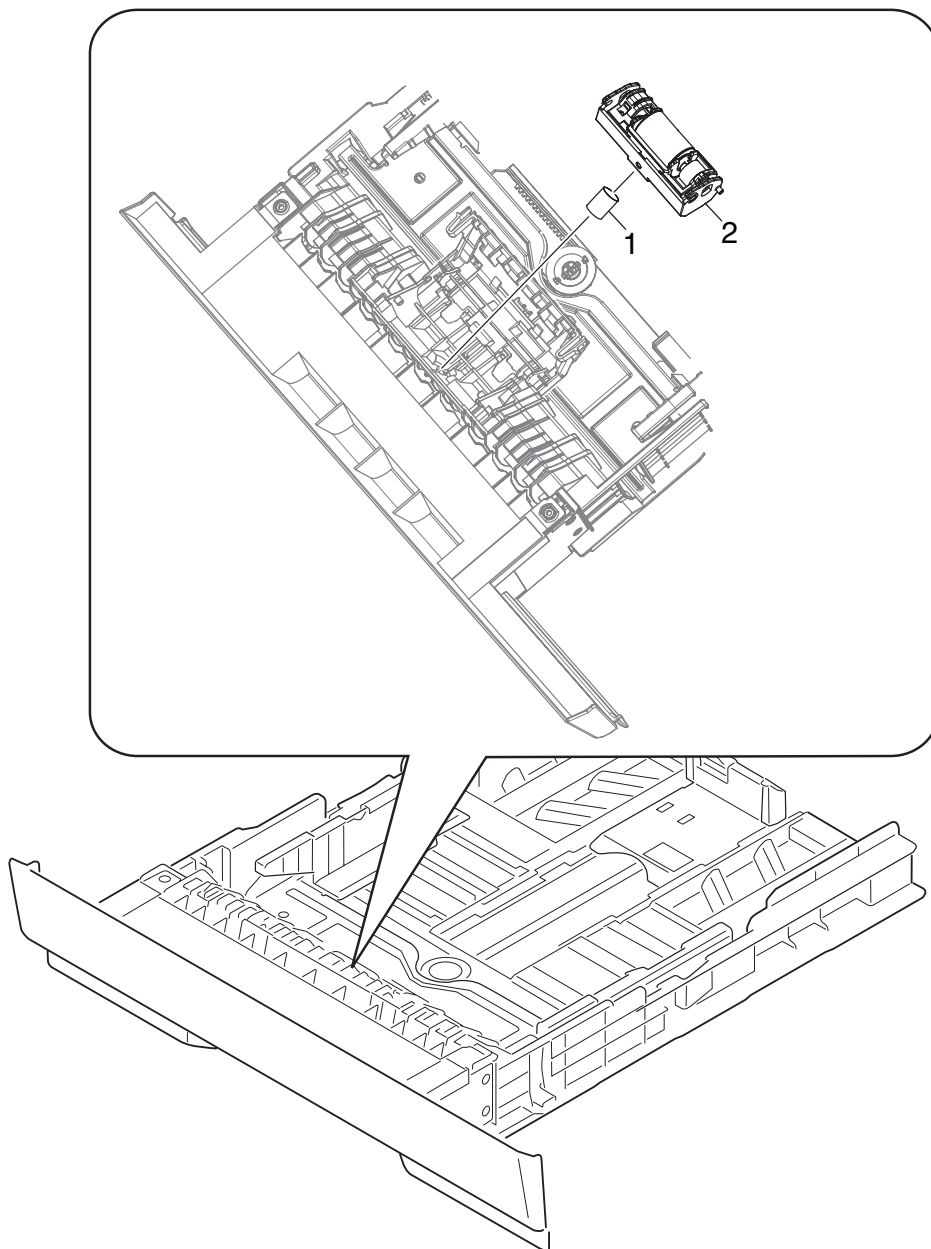
Unit Name	No.	Part No.	Part Name	Q'ty /Unit	Recommended Qty/Year			Remarks
					per 500	per 1000	per 2000	
Cover-Top-Assy	1	46200401	Cable-Head-Assy	1	1	1	1	
Cover-Top-Assy	2	46129701	Holder-Head-FFC	1	1	1	1	
Cover-Top-Assy	3	46129401	Lever-Lock-Top	1	1	1	1	
Cover-Top-Assy	4	46129201	Plate-Head-FG-L	8	1	1	1	

Cover-Assy.-Rear



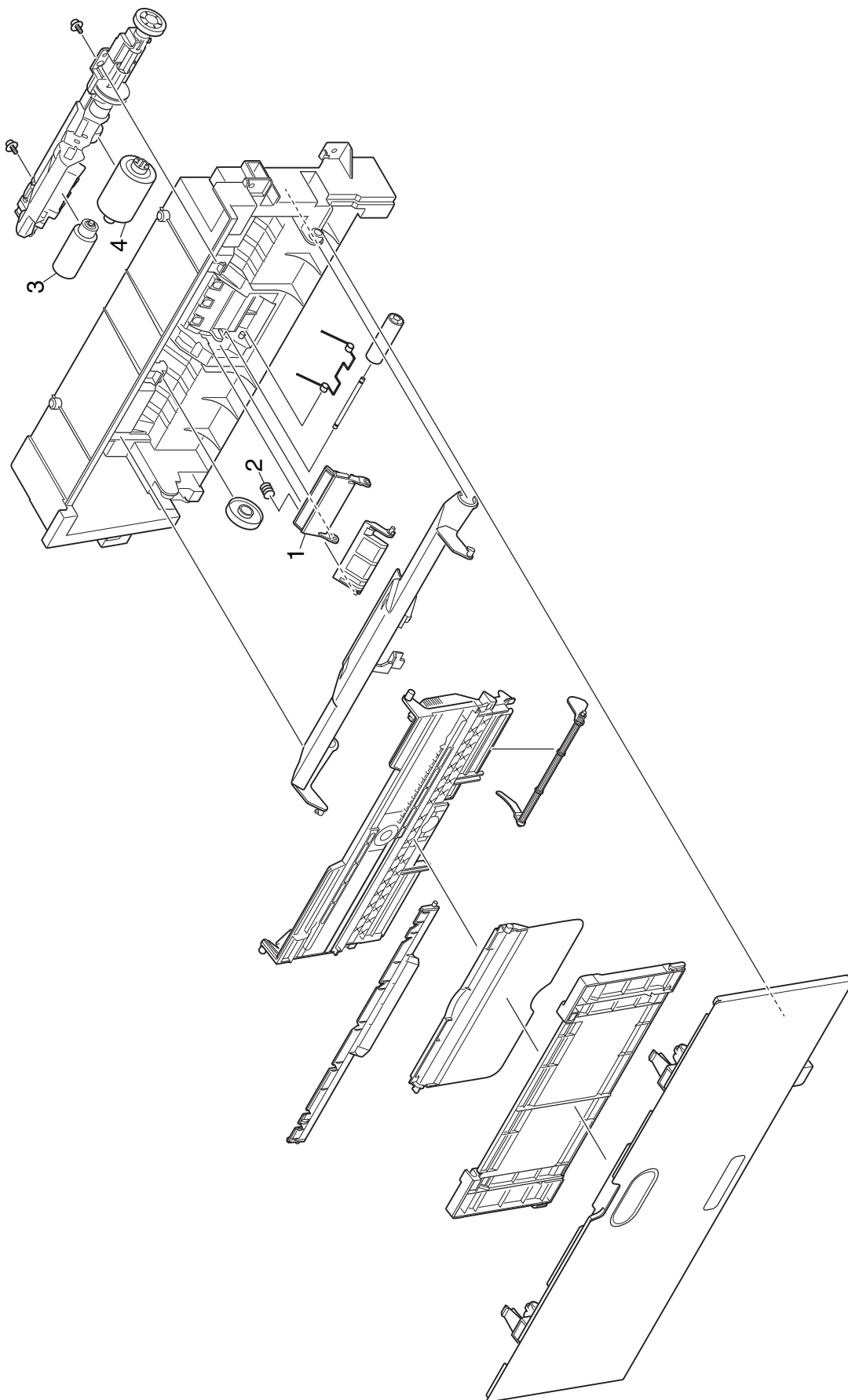
Unit Name	No.	Part No.	Part Name	Q'ty /Unit	Recommended Qty/Year			Remarks
					per 500	per 1000	per 2000	
Cover-Assy.-Rear	1	44369501	Cover-Assy.-Stacker	1	1	1	1	

Case-Cassette-Assy



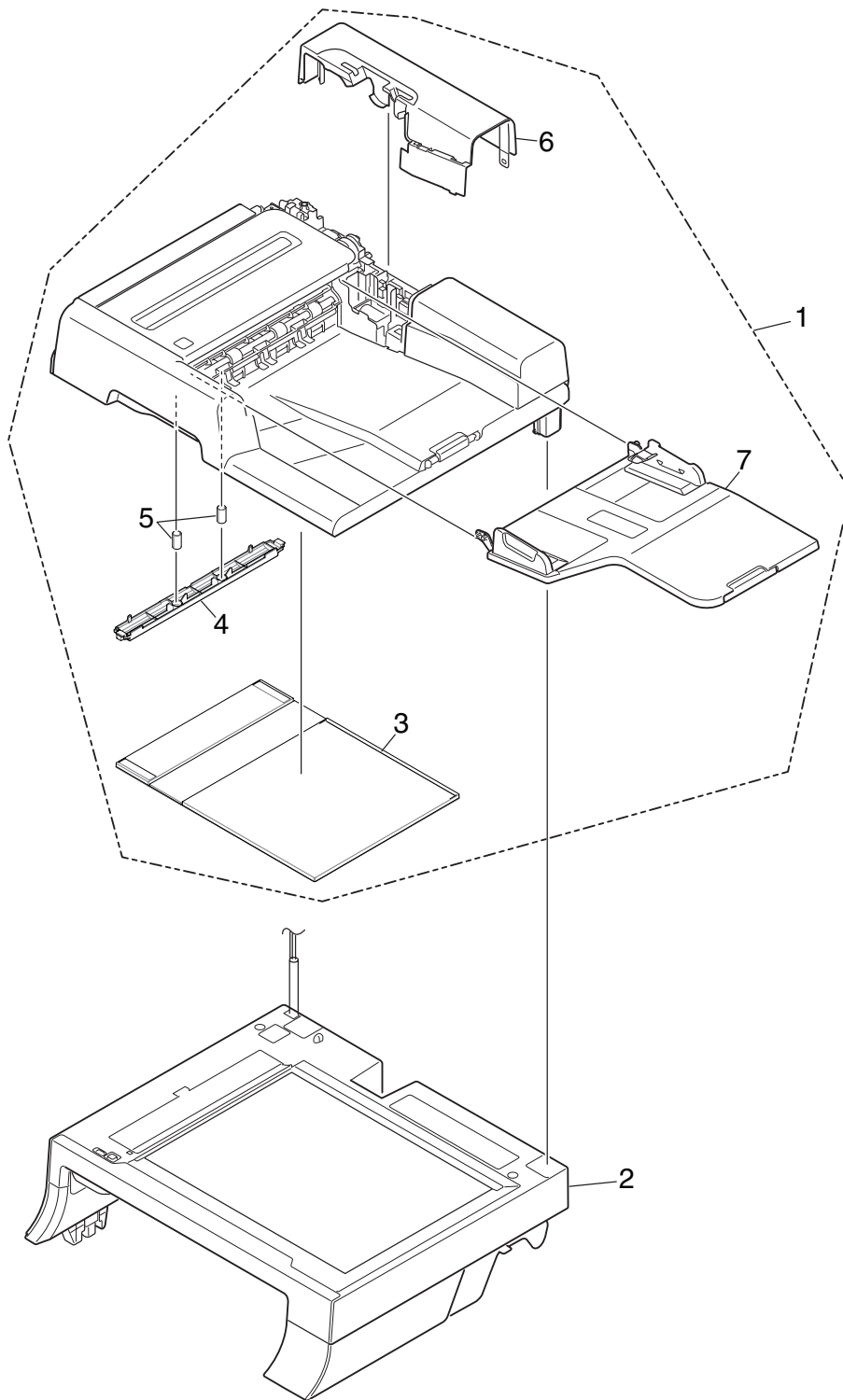
Unit Name	No.	Part No.	Part Name	Q'ty /Unit	Recommended Qty/Year			Remarks
					per 500	per 1000	per 2000	
Case-Cassette-Assy.-760	1	44384701	Frame Assy.-Retard	1	1	1	1	
Case-Cassette-Assy.-760	2	43963101	Spring-Retard	1	1	1	1	

Frame Assy.-MPT



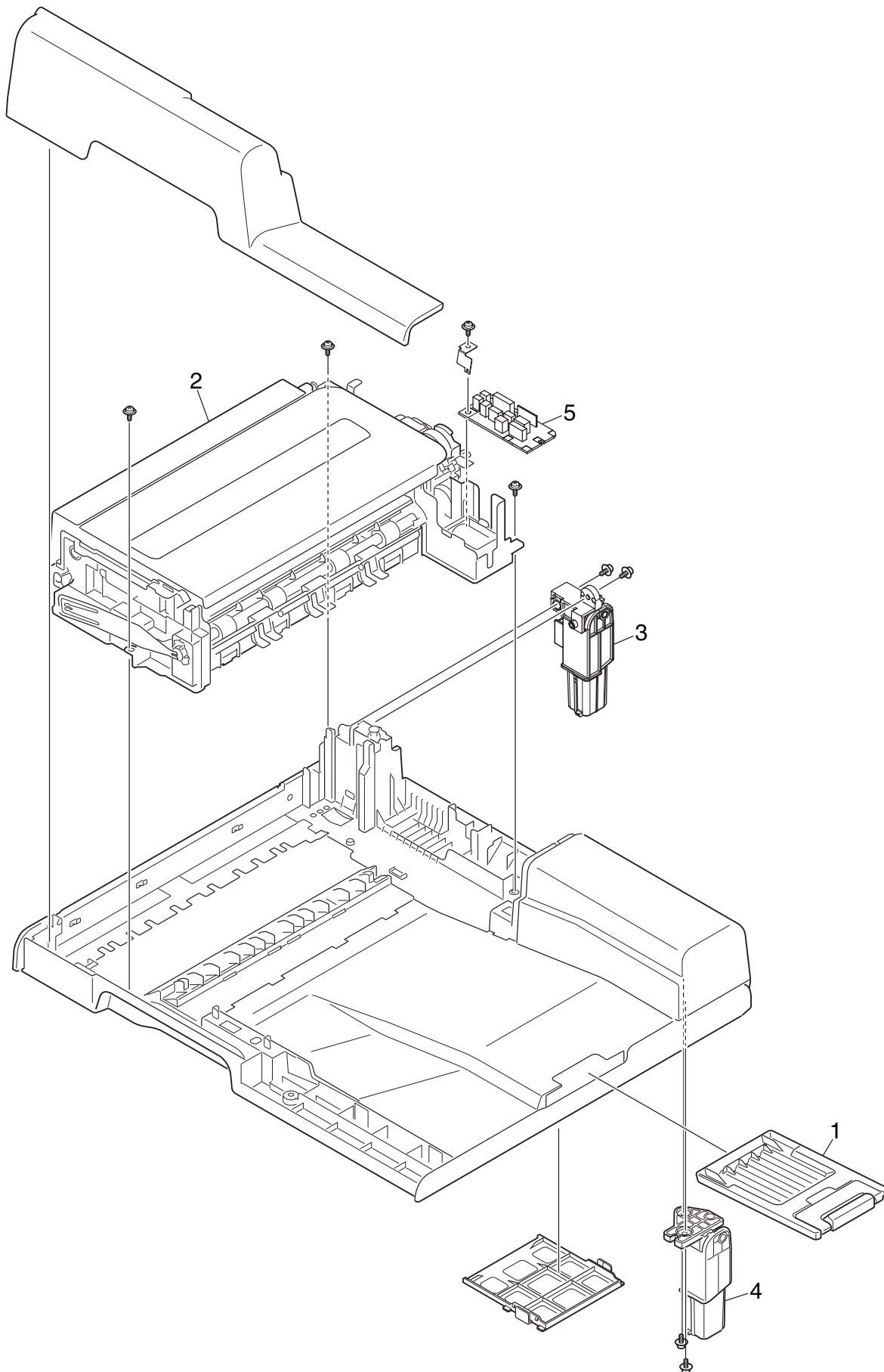
Unit Name	No.	Part No.	Part Name	Q'ty /Unit	Recommended Qty/Year			Remarks
					per 500	per 1000	per 2000	
Frame-Assy-MPT	1	43922401	Frame Assy.-Separator	1	1	1	1	
Frame-Assy-MPT	2	44009301	Spring-Separator	1	1	1	1	
Frame-Assy-MPT	3	43417901	Roller-Assy.-Pickup	1	1	1	1	
Frame-Assy-MPT	4	43922301	Roller-Assy-MPT	1	1	1	1	

Scanner-Unit



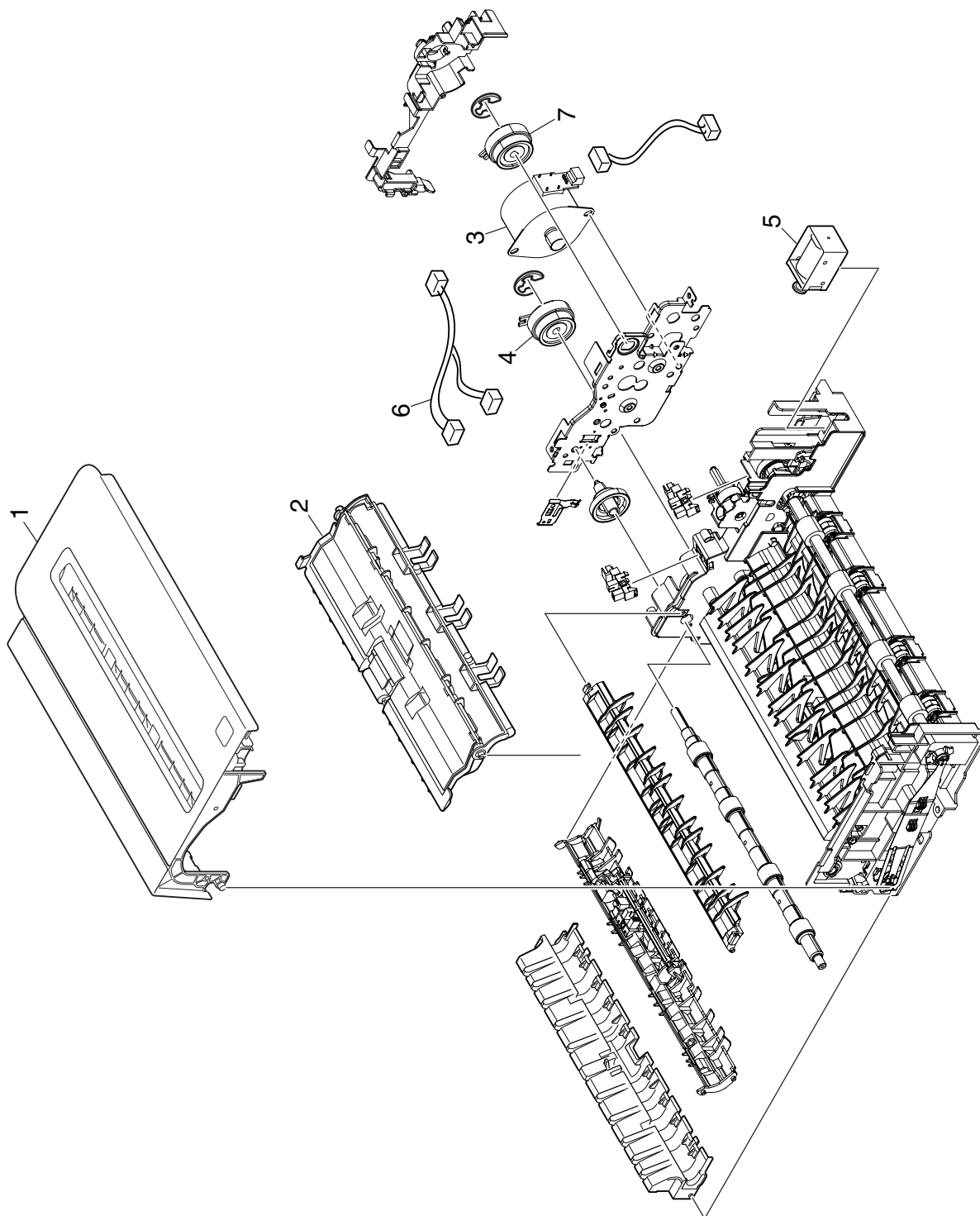
Unit Name	No.	Part No.	Part Name	Q'ty /Unit	Recommended Qty/Year			Remarks
					per 500	per 1000	per 2000	
Scanner-Unit	1	46505521	ADF-Maintenance-Unit	1	1	1	1	
Scanner-Unit	2	46505511	Flatbed-Maintenance-Unit	1	1	1	1	Except OEL and JPN
Scanner-Unit	3		Sheet-Document	1	1	1	1	
Scanner-Unit	4		Paper-Weight-Assy	1	1	1	1	
Scanner-Unit	5		Spring-PW-ADF	2	1	1	1	
Scanner-Unit	6		Cover-ADF-R-Assy	1	1	1	1	
Scanner-Unit	7	44538702	Tray-Assy-Document	1	1	1	1	

ADF-Unit



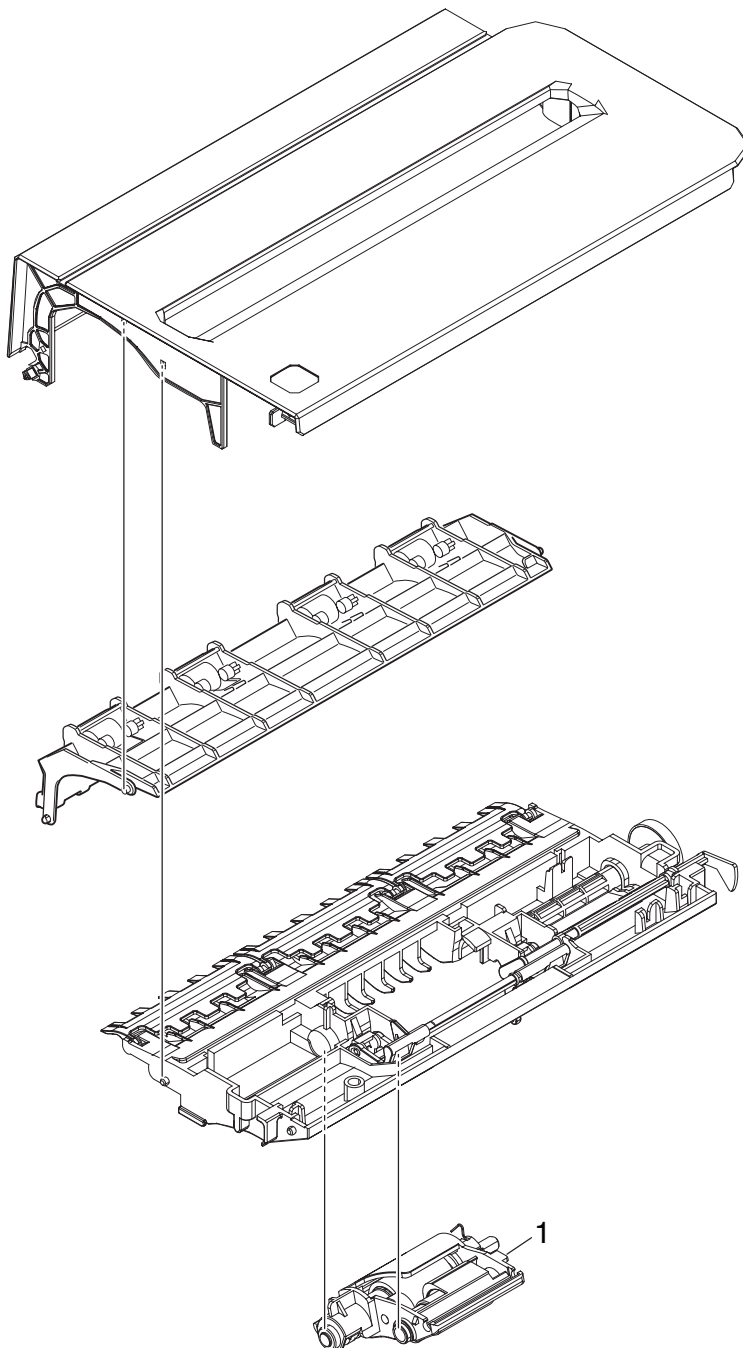
Unit Name	No.	Part No.	Part Name	Q'ty /Unit	Recommended Qty/Year			Remarks
					per 500	per 1000	per 2000	
ADF-Unit	1	44529102	Guide-Assy-Exit-Sub	1	1	1	1	
ADF-Unit	2	46207901	ADF-Assy	1	1	1	1	
ADF-Unit	3	44539302	Hinge-Assy-L2	1	1	1	1	
ADF-Unit	4	44539902	Hinge-Assy-R2	1	1	1	1	
ADF-Unit	5	44604601	OR-ADF Board(FX750)	1	1	1	1	ADF-Board

ADF-Assy



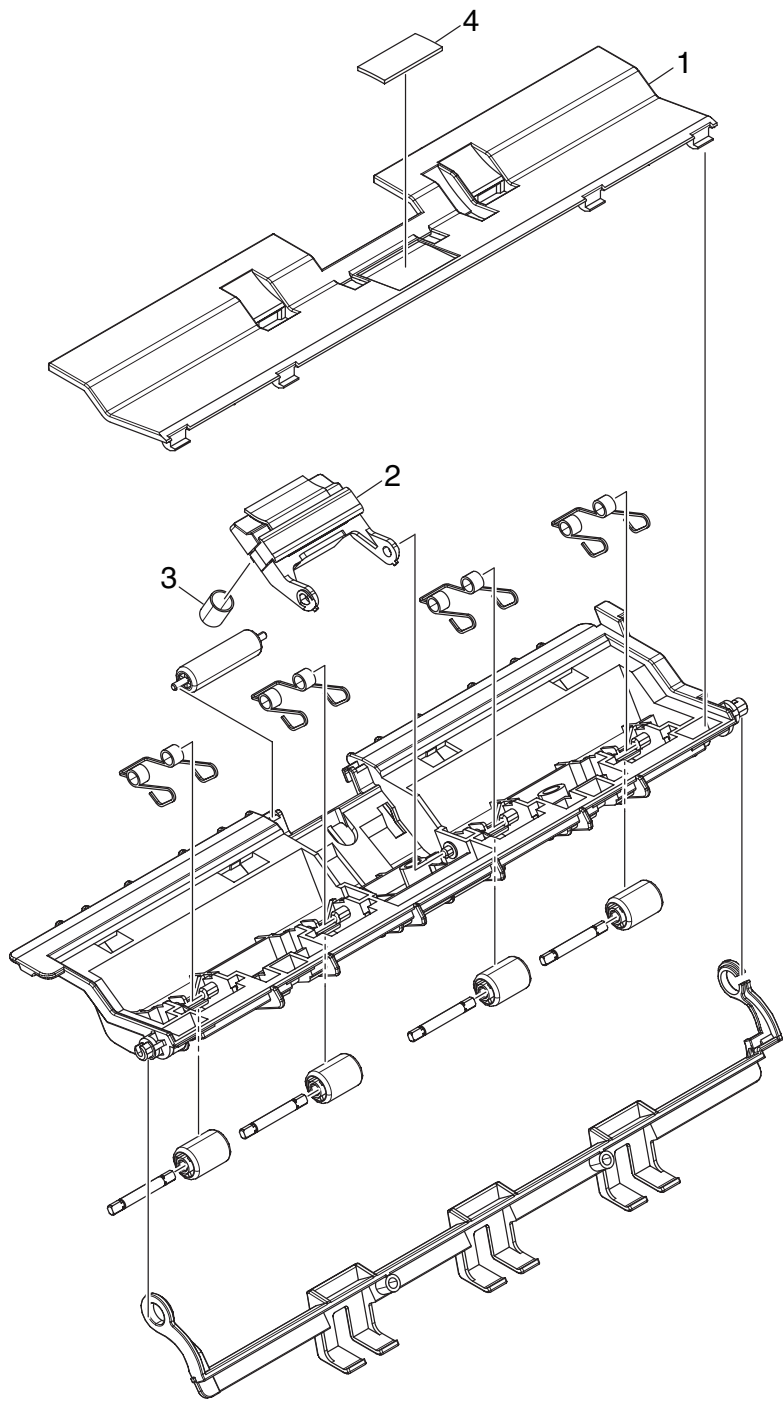
Unit Name	No.	Part No.	Part Name	Q'ty /Unit	Recommended Qty/Year			Remarks
					per 500	per 1000	per 2000	
ADF-Assy	1		Cover-Assy-Top-ADF	1	1	1	1	
ADF-Assy	2		Guide-Assy-A	1	1	1	1	
ADF-Assy	3	46499901	OR-Motor-Pulse	1	1	1	1	ADF-Motor
ADF-Assy	4	44261401	Clutch	1	1	1	1	ADF-Reg-CL
ADF-Assy	5	42058303	Solenoid	1	1	1	1	ADF-Sol
ADF-Assy	6	44595201	CONN Cord-AMP3P-AMP3P-AMP6P	1	1	1	1	ADF-Cover/Set SNS
ADF-Assy	7	44261406	Clutch-3.5	1	1	1	1	ADF-Hop-CL (Same part of Front Assy.-Hop/Reg No.3)

Cover-Assy-Top-ADF



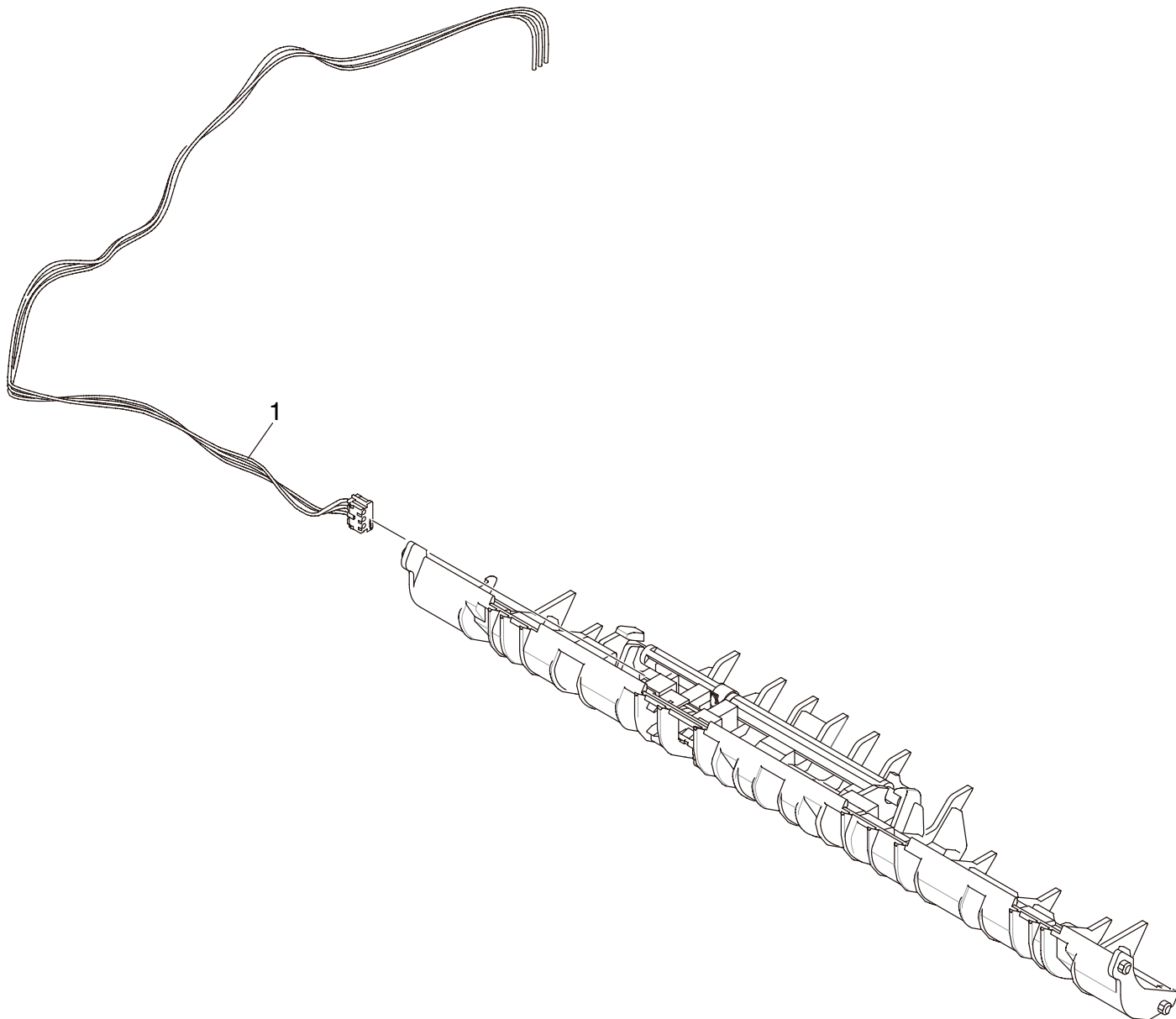
Unit Name	No.	Part No.	Part Name	Q'ty /Unit	Recommended Qty/Year			Remarks
					per 500	per 1000	per 2000	
Cover-Assy-Top-ADF	1	44912501	Frame-Assy-Hopping-ADF	1	1	1	1	

Guide-Assy-A



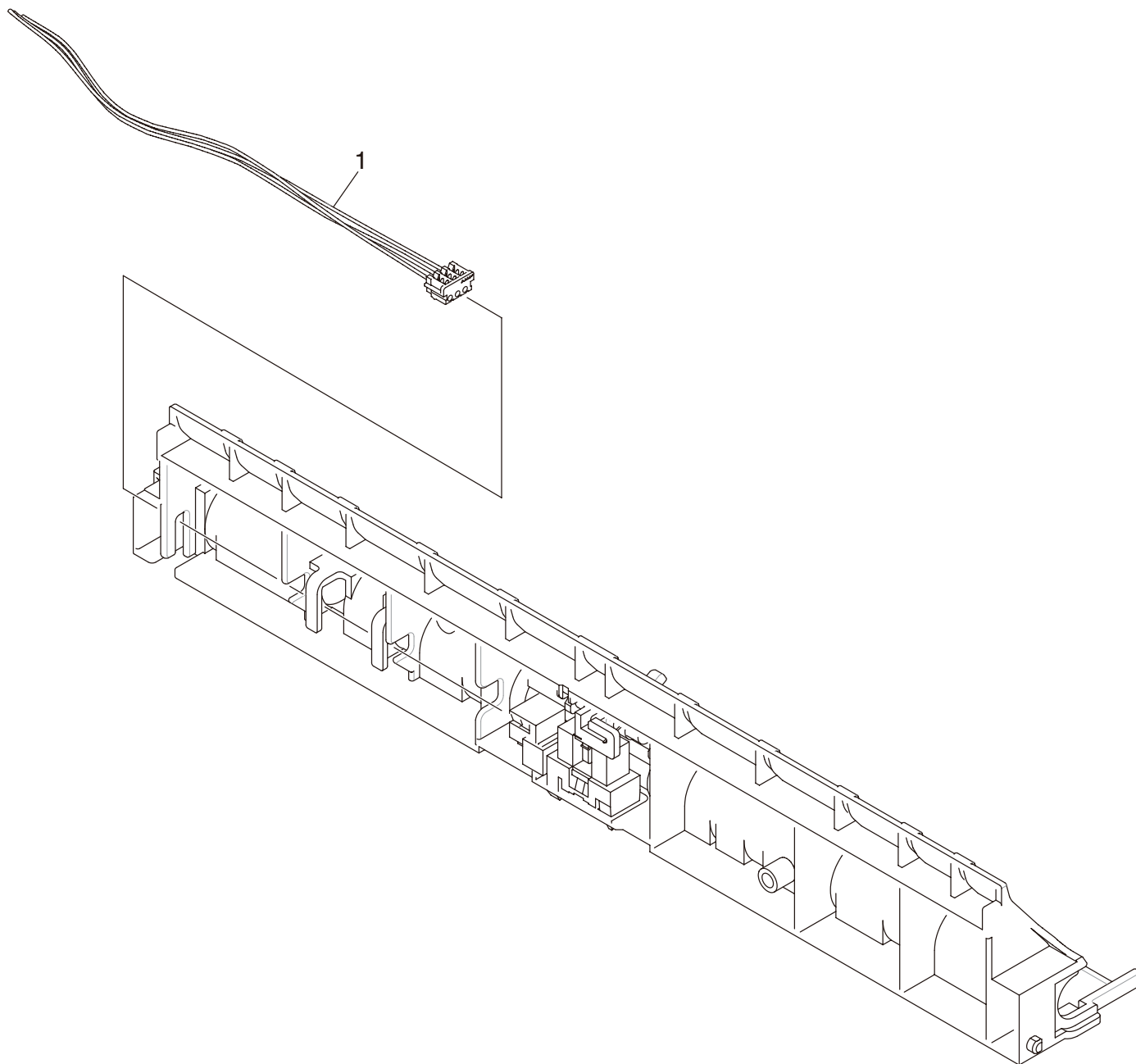
Unit Name	No.	Part No.	Part Name	Q'ty /Unit	Recommended Qty/Year			Remarks
					per 500	per 1000	per 2000	
Guide-Assy-A	1		Guide-A-Sub	1	1	1	1	
Guide-Assy-A	2	44532702	Frame-Assy-Separator	1	1	1	1	
Guide-Assy-A	3	44533001	Spring-Separator	1	1	1	1	
Guide-Assy-A	4		Rubber-Friction	1	1	1	1	

Guide-Assy-C



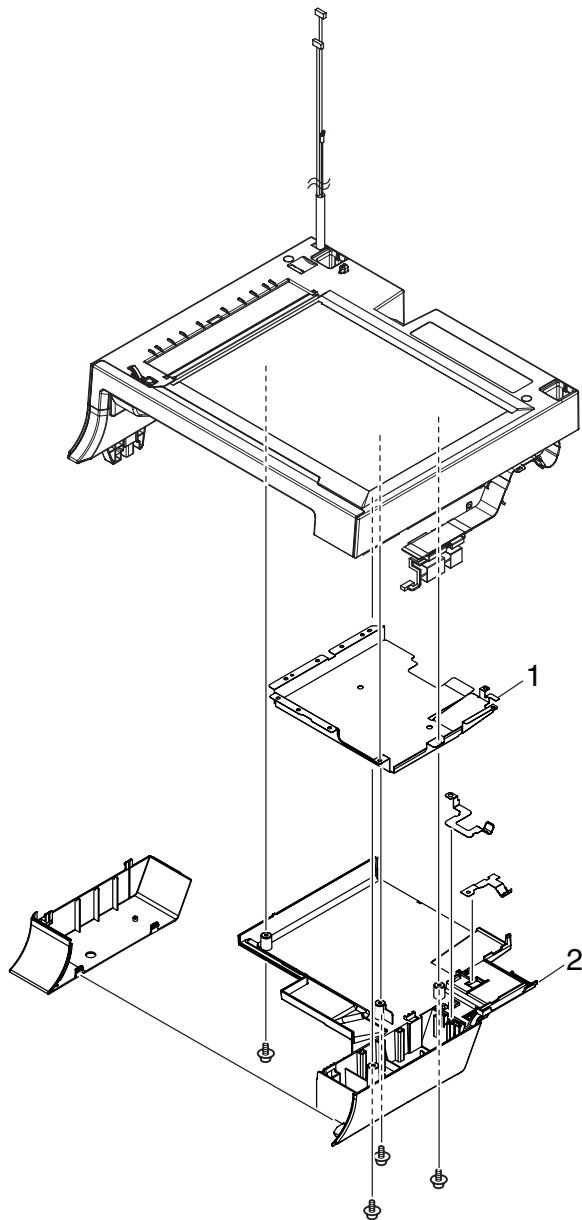
Unit Name	No.	Part No.	Part Name	Q'ty /Unit	Recommended Qty/Year			Remarks
					per 500	per 1000	per 2000	
Guide-Assy-C	1		CONN Cord-AMP3P-JST3P	1	1	1	1	ADF-Rev SNS

Guide-Assy-D



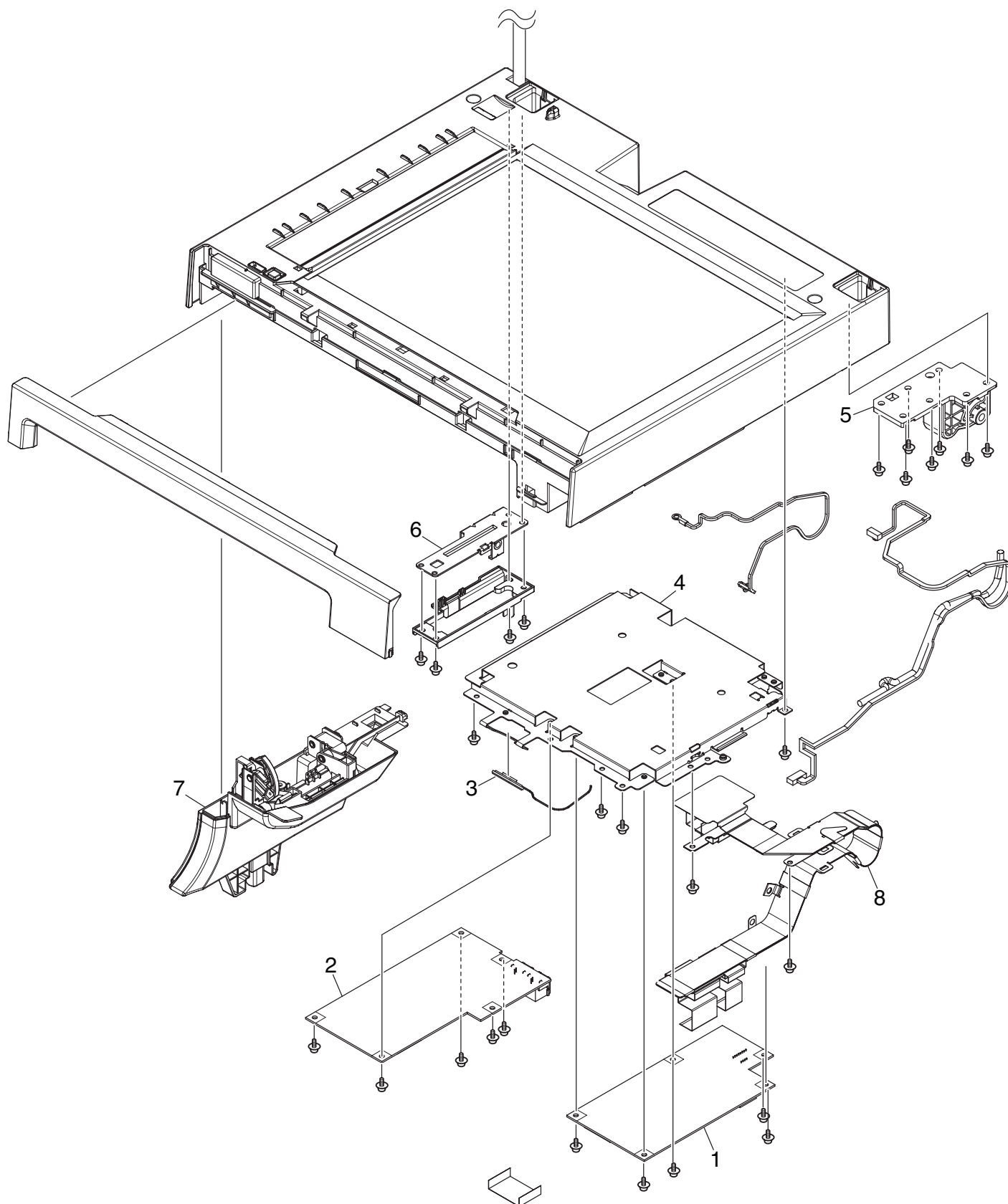
Unit Name	No.	Part No.	Part Name	Q'ty /Unit	Recommended Qty/Year			Remarks
					per 500	per 1000	per 2000	
Guide-Assy-D	1		CONN Cord-AMP3P- AMP3P	1	1	1	1	ADF-Reg SNS

Flatbed-Unit



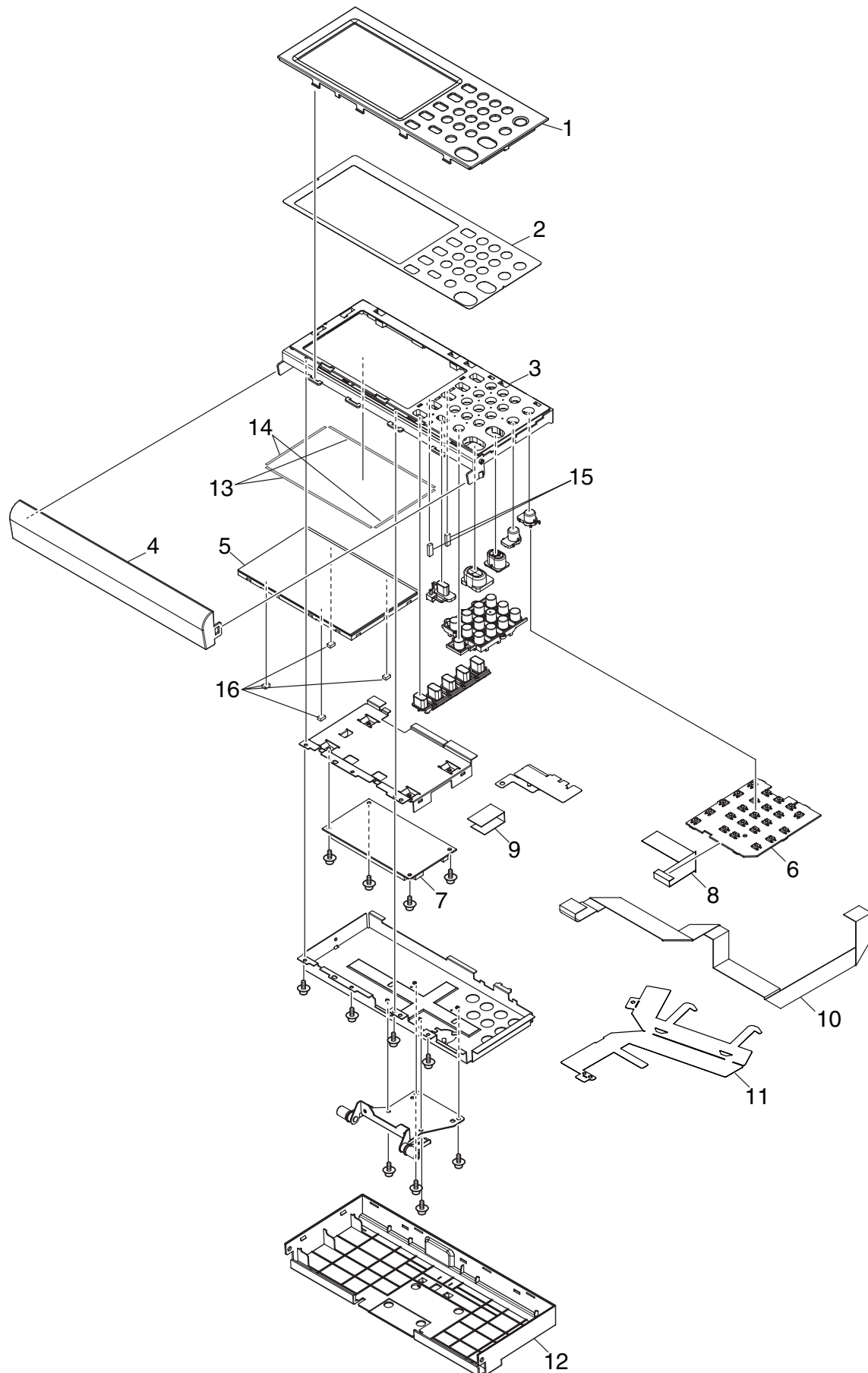
Unit Name	No.	Part No.	Part Name	Q'ty /Unit	Recommended Qty/Year			Remarks
					per 500	per 1000	per 2000	
Flatbed-Unit	1		Plate-Shield(SU)	1	1	1	1	
Flatbed-Unit	2		Cover-Bottom	1	1	1	1	

Frame-Assy-FB



Unit Name	No.	Part No.	Part Name	Q'ty /Unit	Recommended Qty/Year			Remarks
					per 500	per 1000	per 2000	
Frame-Assy.-FB	1	46095101	OR-Board-76S	1	1	1	1	
Frame-Assy.-FB	2	45885104	Board-FXS Maintenance Board	1	1	1	1	excpet OEL and JPN
Frame-Assy.-FB	3		Speaker Assy.	1	1	1	1	
Frame-Assy.-FB	4		Plate-Board(SU)	1	1	1	1	
Frame-Assy.-FB	5		Cam-Hinge	1	1	1	1	
Frame-Assy.-FB	6		Plate-Hinge-L(Caulking)	1	1	1	1	
Frame-Assy.-FB	7		Cover-Assy-LFW	1	1	1	1	
Frame-Assy.-FB	8		Film-Assy-FFC(SU-CU)	1	1	1	1	SU-CU Cable(FFC)

Frame-Assy-OP-7inch-MFP



Unit Name	No.	Part No.	Part Name	Q'ty /Unit	Recommended Qty/Year			Remarks
					per 500	per 1000	per 2000	
Frame-Assy-OP-7Inch_MFP	1		Cover-Sheet	1	1	1	1	
Frame-Assy-OP-7Inch_MFP	2		Sheet-OP	1	1	1	1	Excpet JPN
Frame-Assy-OP-7Inch_MFP	3		Cover-Top(OP)	1	1	1	1	
Frame-Assy-OP-7Inch_MFP	4		Cover-OP(Front)	1	1	1	1	(Same as No.5 of Frame-OP-Assy)
Frame-Assy-OP-7Inch_MFP	5		GSVF070004ANR	1	1	1	1	7inch-LCD
Frame-Assy-OP-7Inch_MFP	6	45763004	OR-Board-TP1-4	1	1	1	1	
Frame-Assy-OP-7Inch_MFP	7	45763301	OR-Board-THS	1	1	1	1	
Frame-Assy-OP-7Inch_MFP	8		Cable-Key(Bend)	1	1	1	1	
Frame-Assy-OP-7Inch_MFP	9		FFC40-40-0.5-003AU	1	1	1	1	
Frame-Assy-OP-7Inch_MFP	10		Cable-OP_Bend	1	1	1	1	
Frame-Assy-OP-7Inch_MFP	11		Film-FFC SU 7"(760)	1	1	1	1	
Frame-Assy-OP-7Inch_MFP	12		Cover-Bottom(Ope)	1	1	1	1	
Frame-Assy-OP-7Inch_MFP	13		Sponge-LCD	2	1	1	1	L=157mm
Frame-Assy-OP-7Inch_MFP	14		Sponge-LCD	2	1	1	1	L=90mm
Frame-Assy-OP-7Inch_MFP	15		Gasket	2	1	1	1	L=14mm
Frame-Assy-OP-7Inch_MFP	16		Gasket	4	1	1	1	L=7mm