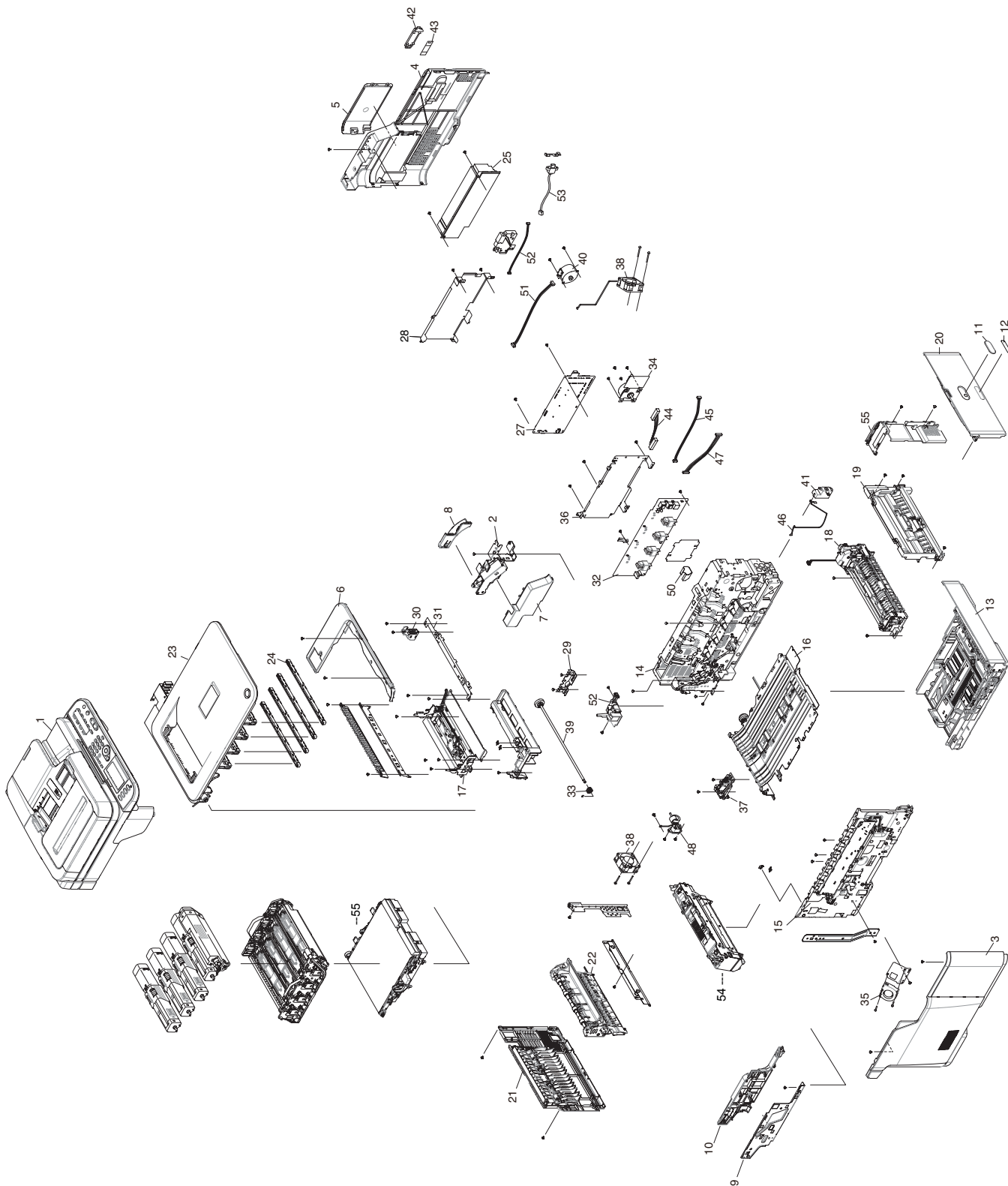


MC363dn Illustrated Spare Parts Manual

011217B

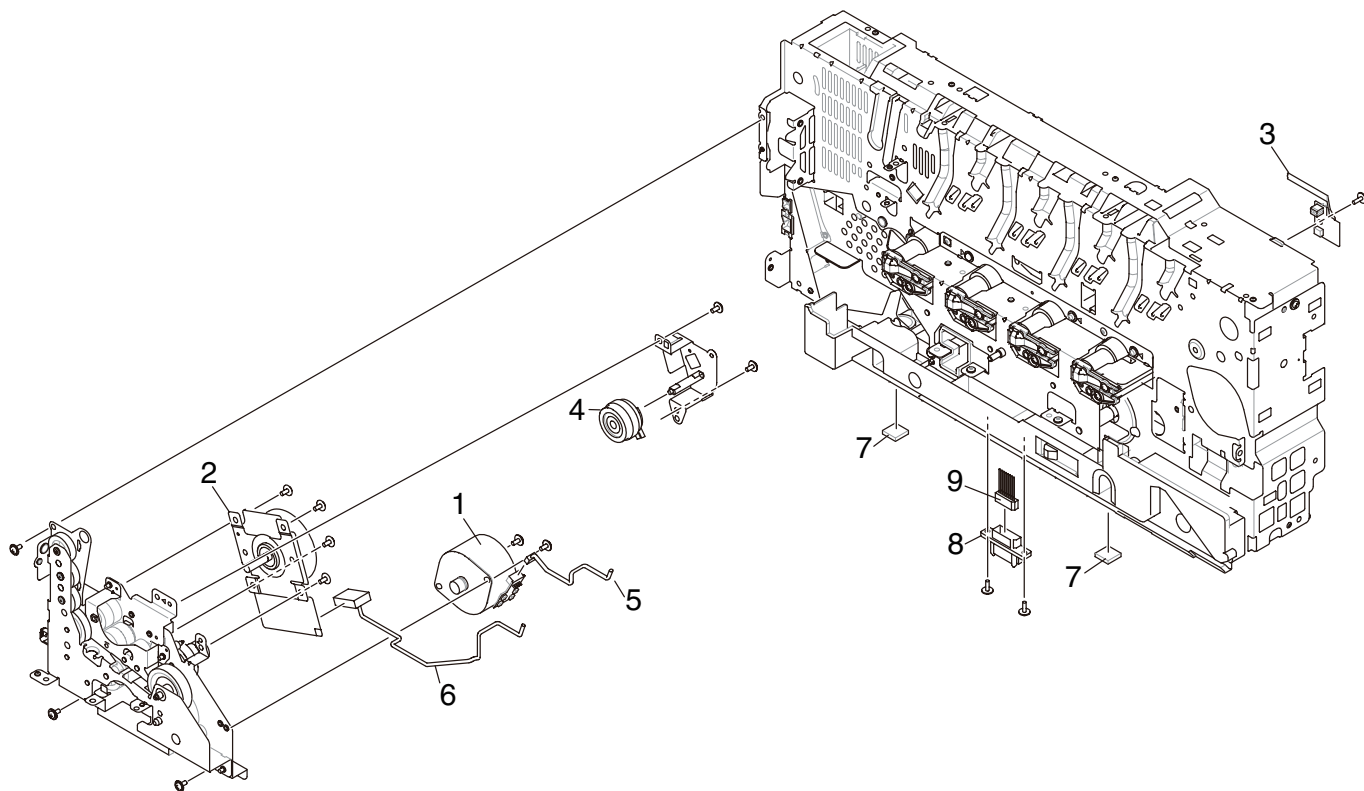
MFP-Unit



Unit Name	No.	Part No.	Part Name	Q'ty /Unit	commended Q'ty/Y			Remarks
					per 500	per 1000	per 2000	
MFP-Unit	1	46554903	Scanner-Unit_MC363(ODA/AOS)	1	1	1	1	ODA/AOS/OAU
MFP-Unit	2	44597102	Hinge-Assy-FB	1	1	1	1	
MFP-Unit	3	44526701	Cover-Side(L)	1	1	1	1	
MFP-Unit	4	46360601	Cover-Side(R)-W	1	1	1	1	Soft Switch
MFP-Unit	5	44371902	Cover-IF-W	1	1	1	1	
MFP-Unit	6		Cover-Front	1	1	1	1	
MFP-Unit	7		Cover-Hinge(R)	1	1	1	1	
MFP-Unit	8		Cover-Hinge(RB)	1	1	1	1	
MFP-Unit	9		Plate-Support-Stay-L	1	1	1	1	
MFP-Unit	10		Cover-Stay(L)	1	1	1	1	
MFP-Unit	11		Plate-Logo	1	1	1	1	
MFP-Unit	12		Plate-Name_MC363	1	1	1	1	
MFP-Unit	13	44454101	Case-Cassette-Assy.-750	1	1	1	1	
MFP-Unit	14	44452304	Side-R Assy	1	1	1	1	
MFP-Unit	15	44452402	Side-L Assy.	1	1	1	1	
MFP-Unit	16	44452502	Base-Assy	1	1	1	1	
MFP-Unit	17	44452602	Sensor Assy.-Regist	1	1	1	1	
MFP-Unit	18	44452703	Front Assy.-Hop/Reg	1	1	1	1	
MFP-Unit	19	44359201	Frame Assy.-MPT	1	1	1	1	
MFP-Unit	20	44359601	Cover Assy.-MPT	1	1	1	1	
MFP-Unit	21		Cover-Assy.-Rear	1	1	1	1	
MFP-Unit	22	44364104	Eject-Assy.-750E	1	1	1	1	
MFP-Unit	23	44453512	Cover-Top-Assy	1	1	1	1	
MFP-Unit	24	44317201	LED Head Unit-51TRA	4	1	1	1	600dpi
MFP-Unit	25	44883701	PWR unit-ACDC Switch	1	1	1	1	Power-Unit(Low-Voltage 100V)
MFP-Unit	25	44883801	PWR unit-ACDC Switch	1	1	1	1	Power-Unit(Low-Voltage 230V)
MFP-Unit	27	46397721	MC363(ODNA) maintenance board	1	1	1	1	ODNA
MFP-Unit	28		Plate-Shield(CU)	1	1	1	1	
MFP-Unit	29		Plate-Lockout	1	1	1	1	
MFP-Unit	30		Switch Assy.-InterLock	1	1	1	1	
MFP-Unit	30	46565301	Switch Assy.-Interlock_750E	1	1	1	1	
MFP-Unit	31		Plate-Front	1	1	1	1	
MFP-Unit	32	44474001	OR-Board-ORZ	1	1	1	1	Board-ORZ(High Voltage)

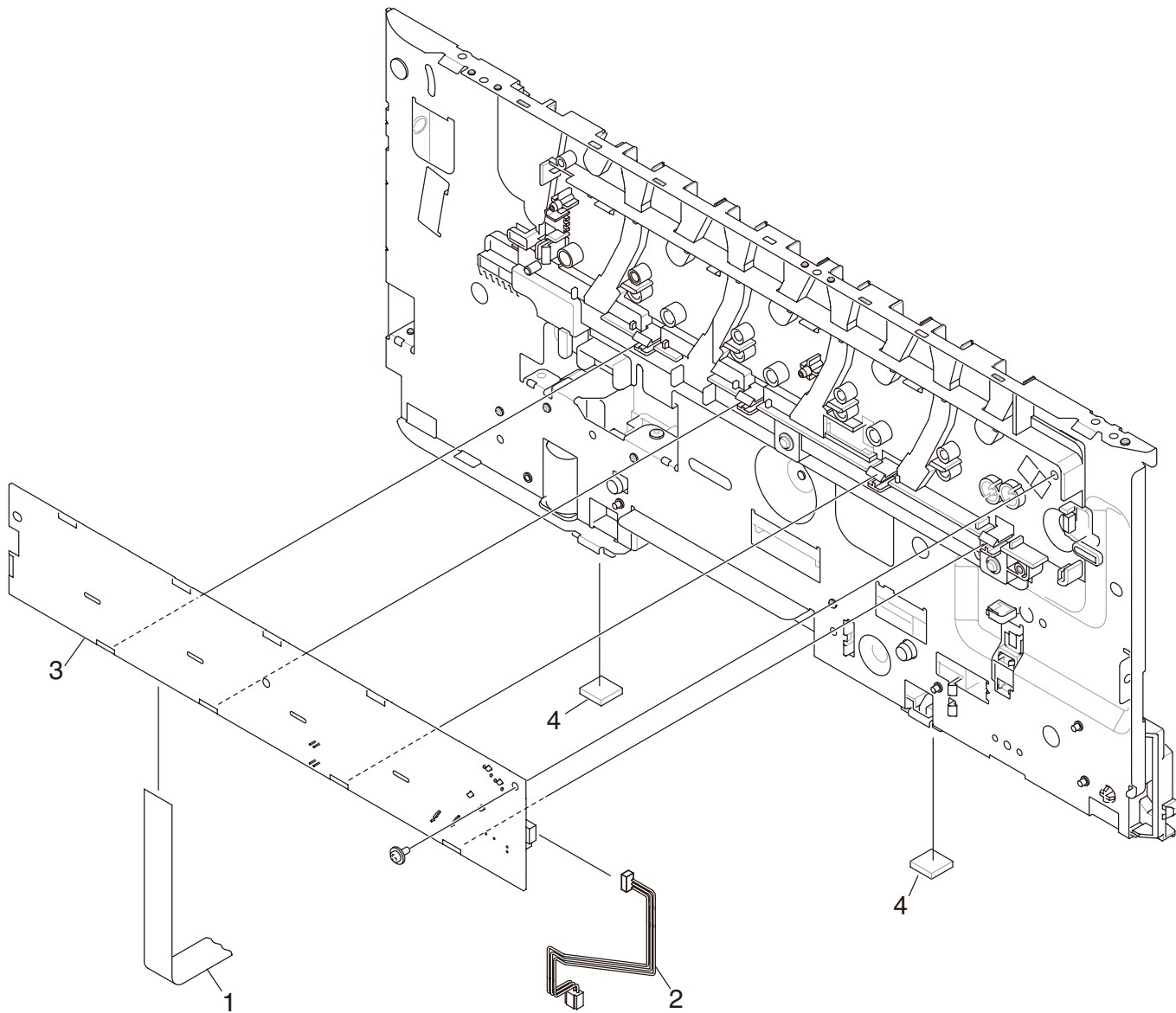
Unit Name	No.	Part No.	Part Name	Q'ty /Unit	commended Q'ty/Y			Remarks
					per 500	per 1000	per 2000	
MFP-Unit	33	44369801	Gear-Liftup-C	1	1	1	1	
MFP-Unit	34	44352601	Motor-DC(I)N	1	1	1	1	ID-Motor
MFP-Unit	35	44353601	Motor-Fan(Blower)	1	1	1	1	ID-Fan
MFP-Unit	36		Plate Assy.-Board-A	1	1	1	1	
MFP-Unit	37	44454003	FG-Assy-Fuser 750E	1	1	1	1	
MFP-Unit	38	44352501	Motor-FAN(60x25)	2	1	1	1	Front Fan/Rear Fan
MFP-Unit	39	44453801	Shaft-Liftup-Assy	1	1	1	1	
MFP-Unit	40	43073101	Motor_Pulse_HOP	1	1	1	1	
MFP-Unit	41		Holder Assy.-SoftSW	1	1	1	1	
MFP-Unit	42		Cover-WLAN	1	1	1	1	
MFP-Unit	43		Wireless LAN Module (DNUB-O1)	1	1	1	1	Only Japan
MFP-Unit	44		CONN Cord-AMP16P-AMP16P	1	1	1	1	PWR unit-PUCU
MFP-Unit	45		CONN Cord-JST3P-JST3P	1	1	1	1	POW Save
MFP-Unit	46		CONN Cord-JST4P-JST4P	1	1	1	1	Soft switch - CUPU
MFP-Unit	47		CONN Cord-JST9P-JST9P	1	1	1	1	ID Motor-PU
MFP-Unit	48		CONN Cord- JST3P-INLET for 750MLK	1	1	1	1	
MFP-Unit	49		CONN Cord-AMP16P-AMP16P	1	1	1	1	PWR unit-PUCU
MFP-Unit	50		SMCD-24-62BD(1.0)	1	1	1	1	ORZ-PU
MFP-Unit	51		CONN Cord-AMP4P-AMP4P	1	1	1	1	Hop motor-PU
MFP-Unit	52		Printer NIP-Config-DICOM-C711	1	1	1	1	W-LAN
MFP-Unit	52		CONN Cord-JST6P-JST6P	1	1	1	1	W-LAN
MFP-Unit	53		CONN Cord-USB-AMP5P	1	1	1	1	Host-USB
MFP-Unit	54	44472601	Fuser Assembly - 120V					Fuser Assembly - 120 Volt
MFP-Unit	55	44472201	Belt Assembly					Transfer Belt Assembly

Side-R Assy



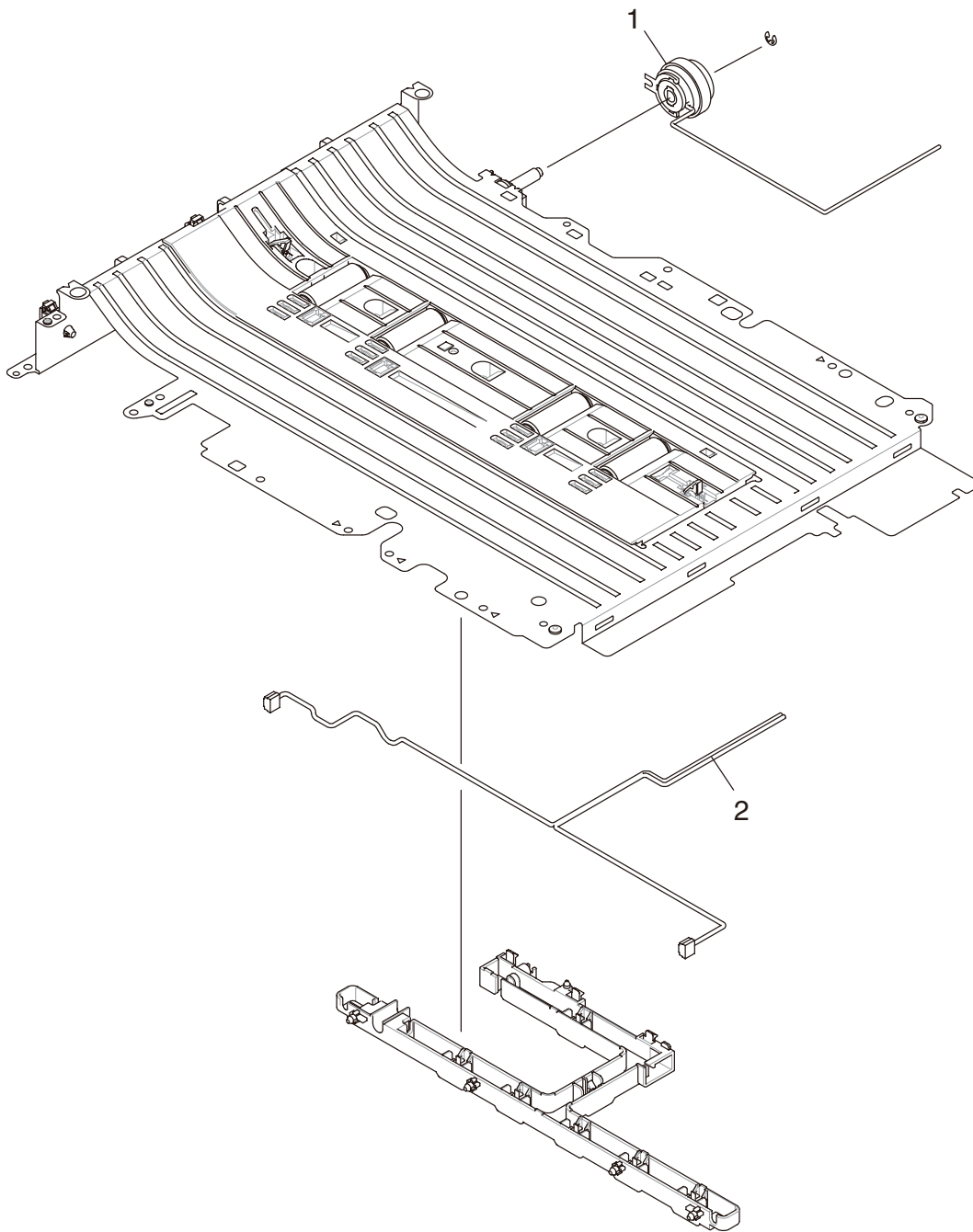
Unit Name	No.	Part No.	Part Name	Q'ty /Unit	commended Q'ty/Y			Remarks
					per 500	per 1000	per 2000	
Side-R Assy	1	43073101	Motor_Pulse_HOP	1	1	1	1	Belt-Motor
Side-R Assy	2	44349601	Motor-DC(F)	1	1	1	1	Fuser-Motor
Side-R Assy	3	44505801	OR-DOD	1	1	1	1	Board-DOD
Side-R Assy	4	44369901	Gear Assy.-CL35Z25	1	1	1	1	Up/Down-CL
Side-R Assy	5		CONN Cord-AMP4P-AMP4P	1	1	1	1	Belt Motor-PU
Side-R Assy	6		CONN Cord-JST8P-JST8P	1	1	1	1	Fuser Motor-PU
Side-R Assy	7		Rubber-Foot	2	1	1	1	
Side-R Assy	8	56740480 (2233013P0080)	9715B-08Z02-G4C	1	1	1	1	
Side-R Assy	9	44430401	CONN Cord-AMP8P-AMP8P	1	1	1	1	

Side-L Assy



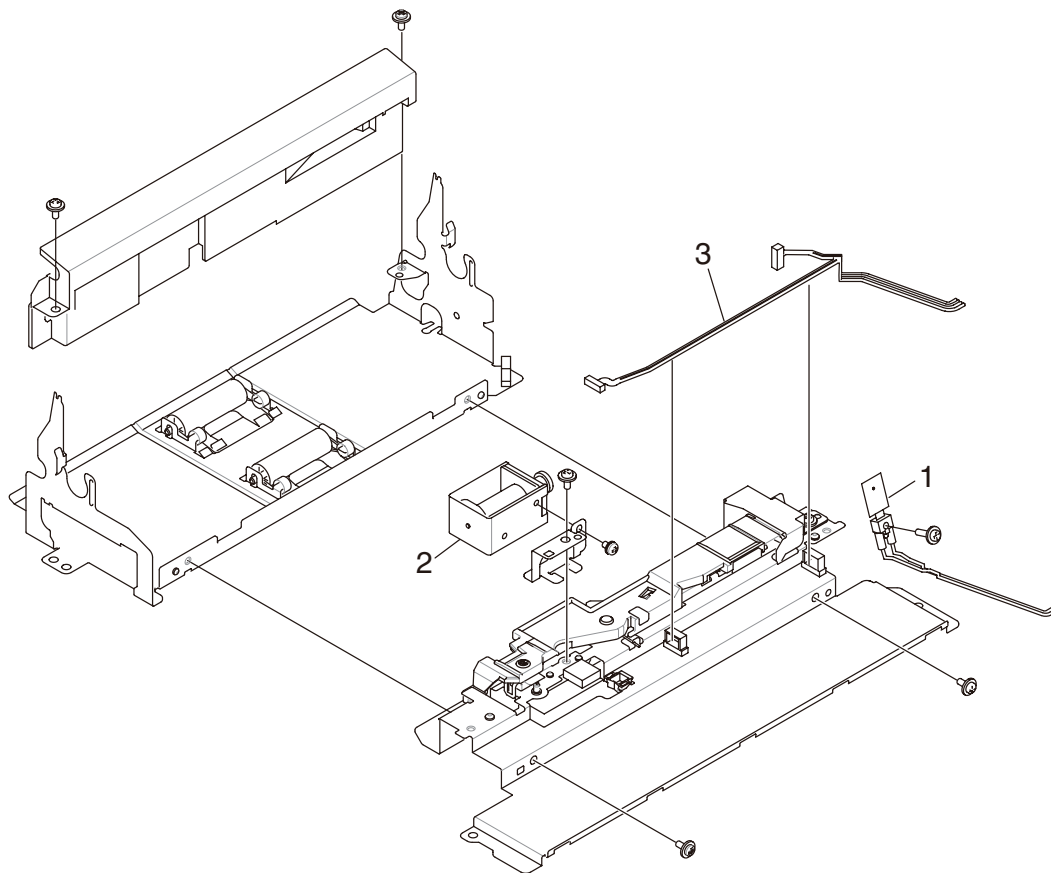
Unit Name	No.	Part No.	Part Name	Q'ty /Unit	commended Q'ty/Y			Remarks
					per 500	per 1000	per 2000	
Side-L Assy	1	46303905	FFC-P1.0_A_L525_N18	1	1	1	1	ZHE-PU
Side-L Assy	2		CONN Cord-AMP3P-AMP3P	1	1	1	1	ZHE-Cass. SNS
Side-L Assy	3	46374201	OR-Board-ZHE	1	1	1	1	Board-ZHE (Toner Sensor Board)
Side-L Assy	4		Rubber-Foot	2	1	1	1	

Base Assy



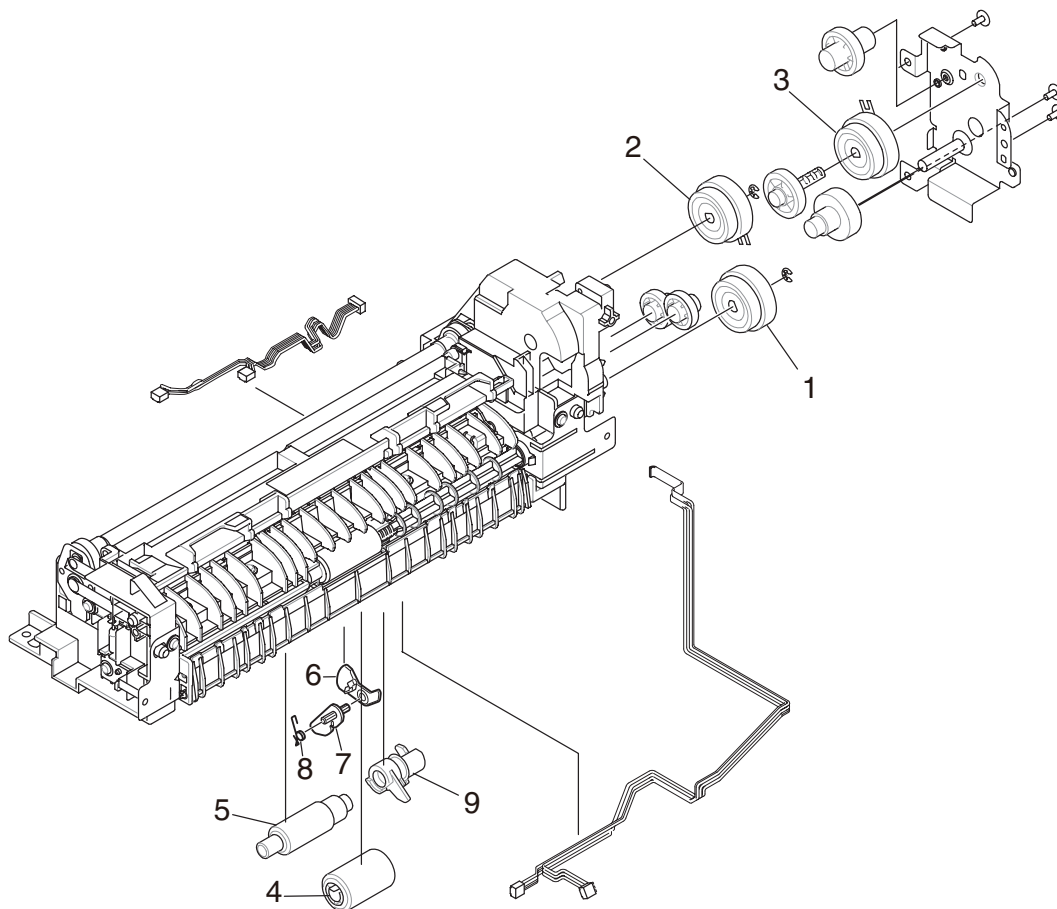
Unit Name	No.	Part No.	Part Name	Q'ty /Unit	commended Q'ty/Y			Remarks
					per 500	per 1000	per 2000	
Base-Assy	1	44354901	Gear-Assy.-CL25Z19	1	1	1	1	Duplex-CL
Base-Assy	2		CONN Cord-AMP6P-AMP3P_AMP3P	1	1	1	1	PU-Dup. SNS

Sensor Assy.-Regist



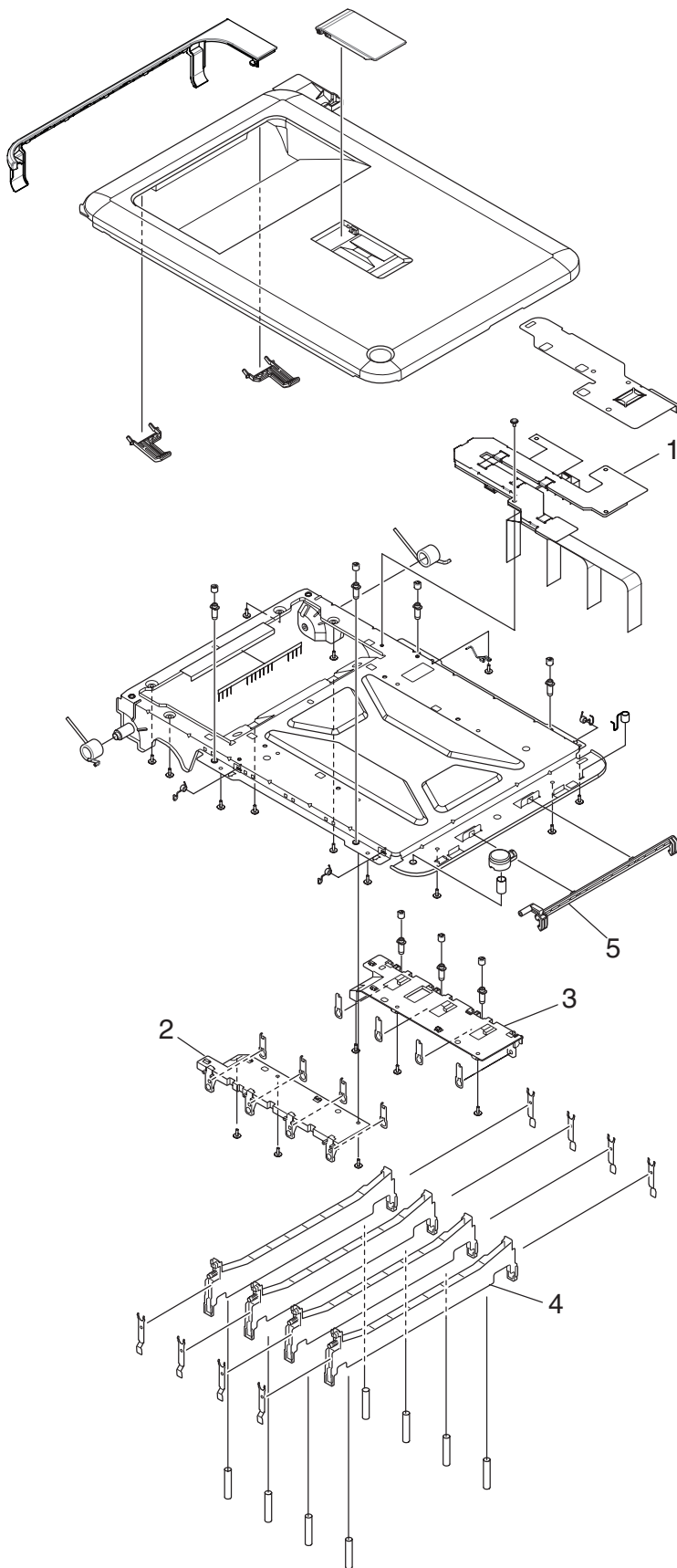
Unit Name	No.	Part No.	Part Name	Q'ty /Unit	commended Q'ty/Y			Remarks
					per 500	per 1000	per 2000	
Sensor Assy.-Regist	1	42605201	Thermistor-Belt	1	1	1	1	
Sensor Assy.-Regist	2	42058304	Solenoid	1	1	1	1	Shutter
Sensor Assy.-Regist	3	46197701	CONN Cord-AMP10P-AMP5P_AMP5P	1	1	1	1	Sensor Assy-PU

Front Assy.-Hop/Reg



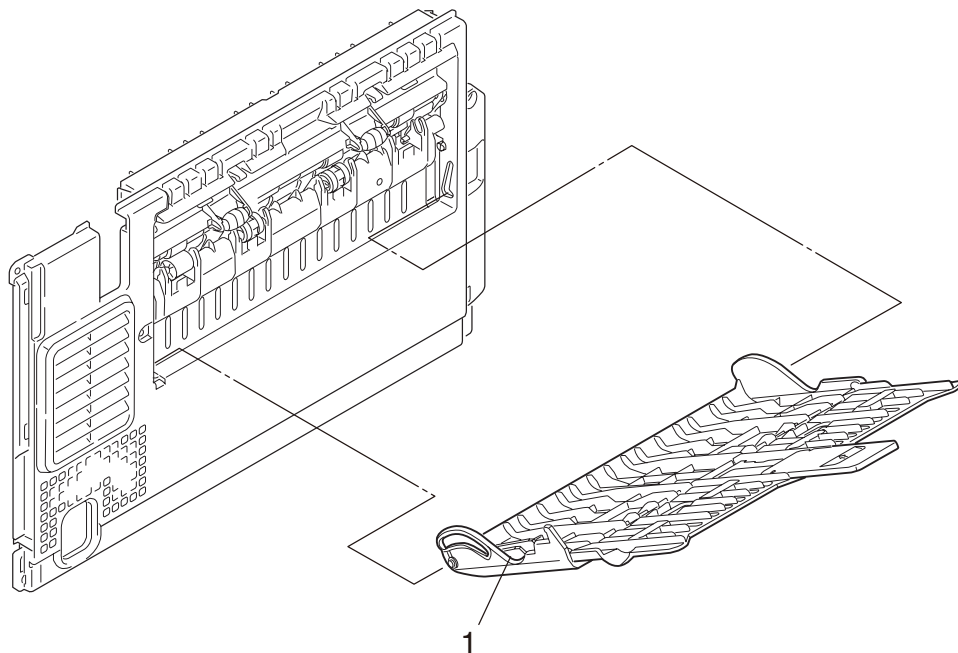
Unit Name	No.	Part No.	Part Name	Q'ty /Unit	commended Q'ty/Y			Remarks
					per 500	per 1000	per 2000	
Front Assy.-Hop/Reg	1	44261403	Clutch-3.5	1	1	1	1	Hop-CL
Front Assy.-Hop/Reg	2	44261404	Clutch-4.5	1	1	1	1	Reg-CL
Front Assy.-Hop/Reg	3	44261406	Clutch-3.5	1	1	1	1	TP-CL
Front Assy.-Hop/Reg	4	44483301	Roller-Assy-Hopping	1	1	2	4	
Front Assy.-Hop/Reg	5	44483601	Roller-Assy-PickUp	1	1	2	4	
Front Assy.-Hop/Reg ADF-Assy	6	44549801	Lever-End	1	1	1	1	
Front Assy.-Hop/Reg ADF-Assy	7	45695901	Lever-End-Sub	1	1	1	1	
Front Assy.-Hop/Reg ADF-Assy	8	44550001	Spring-Lever-End	1	1	1	1	
Front Assy.-Hop/Reg ADF-Assy	9	44358001	Lever-Sensor-Hopping	1	1	1	1	

Cover-Top-Assy



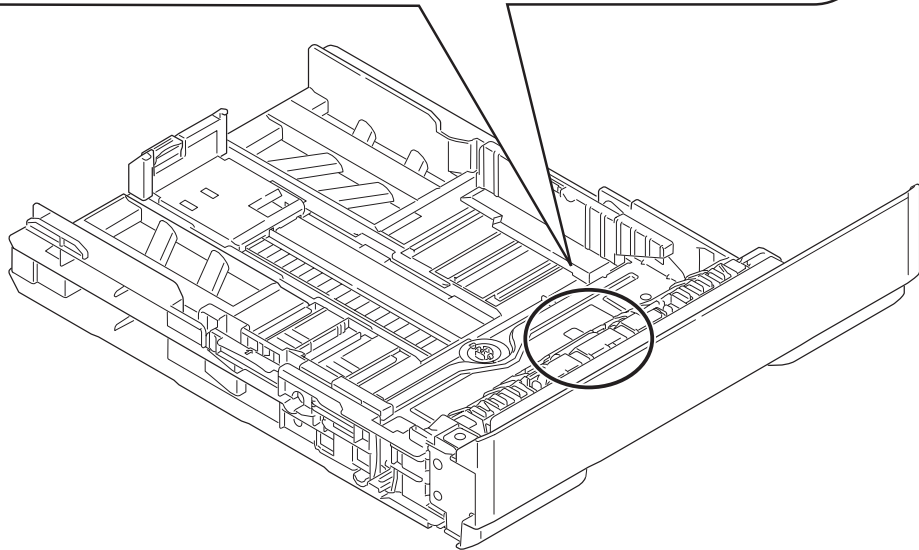
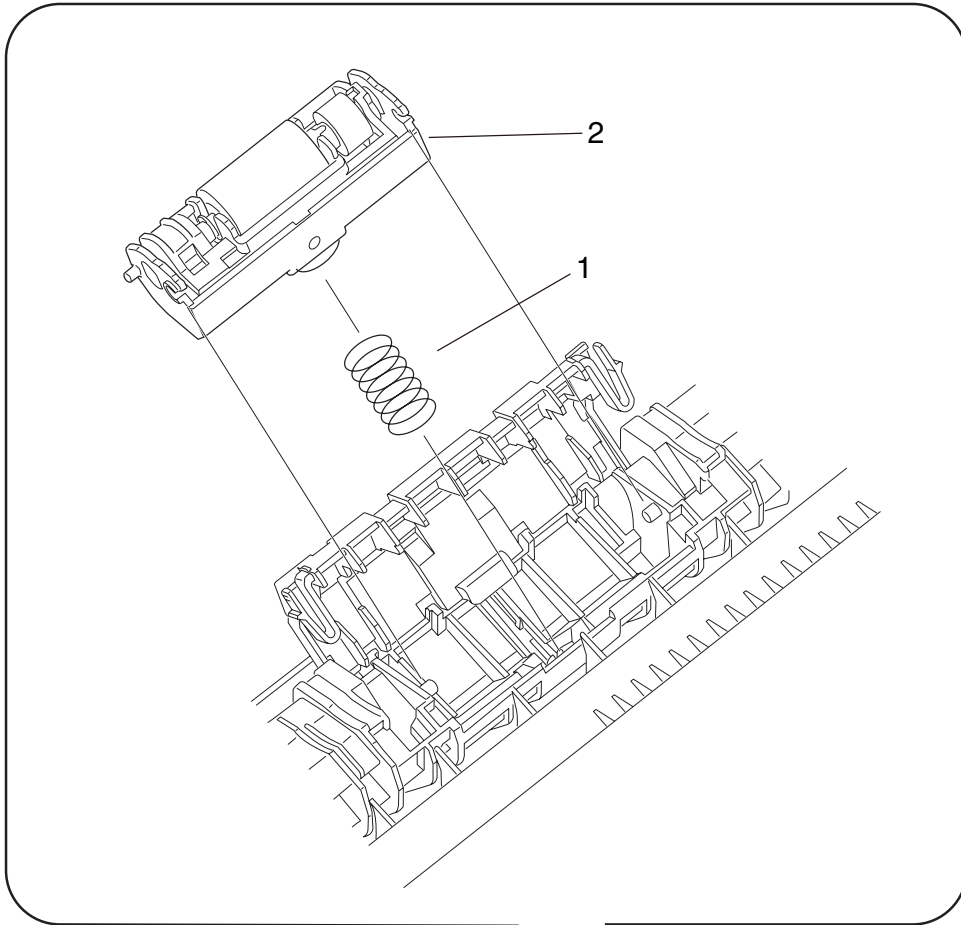
Unit Name	No.	Part No.	Part Name	Q'ty /Unit	commended Q'ty/Y			Remarks
					per 500	per 1000	per 2000	
Cover-Top-Assy	1	44498001	Cable-Head-Assy	1	1	1	1	
Cover-Top-Assy	2	46359801	Frame-Head L	1	1	1	1	
Cover-Top-Assy	3	46359901	Frame-Head R	1	1	1	1	
Cover-Top-Assy	4	46359701	Frame-Head	4	1	1	1	
Cover-Top-Assy	5	44366901	Lever-Lock-Top	1	1	1	1	

Cover-Assy.-Rear



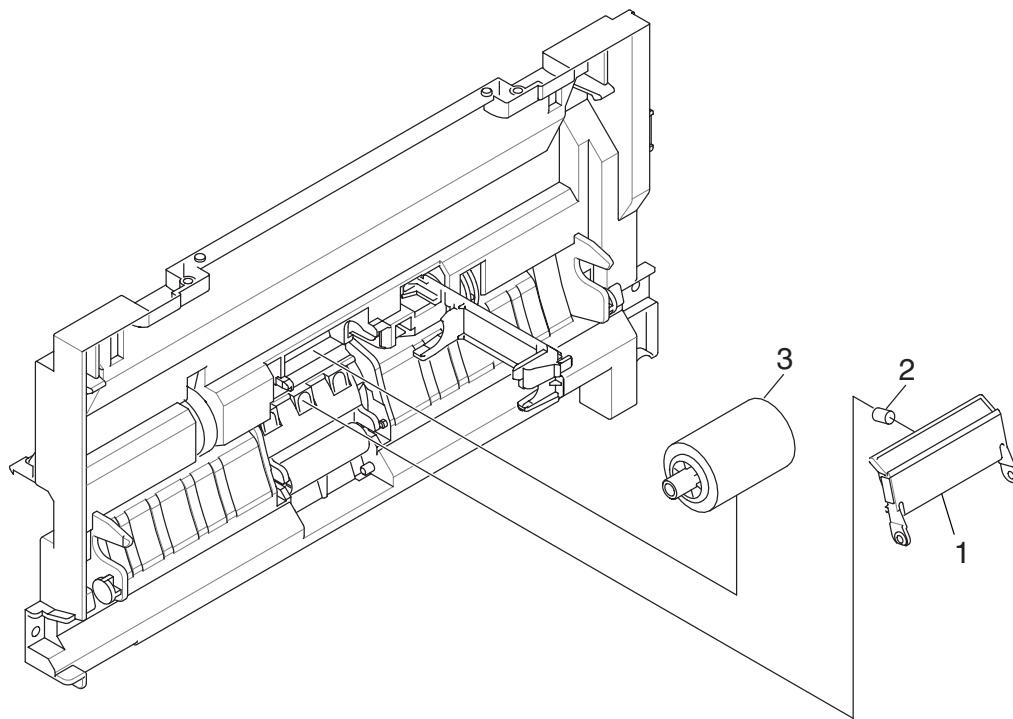
Unit Name	No.	Part No.	Part Name	Q'ty /Unit	commended Q'ty/Y			Remarks
					per 500	per 1000	per 2000	
Cover-Assy.-Rear	1	44369501	Cover-Assy.-Stacker	1	1	1	1	

Case-Cassette-Assy.-750



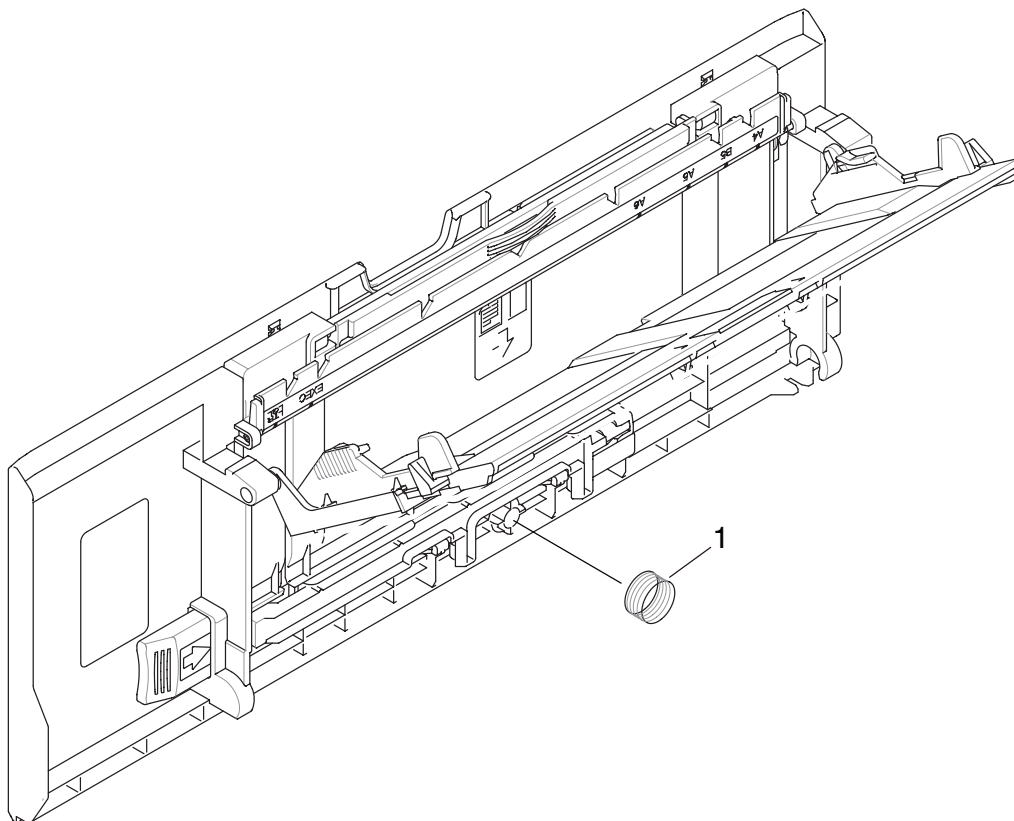
Unit Name	No.	Part No.	Part Name	Q'ty /Unit	commended Q'ty/Y			Remarks
					per 500	per 1000	per 2000	
Case-Cassette-Assy.-750	1	43963101	Spring-Retard	1	1	1	1	
Case-Cassette-Assy.-750	2	44384701	Frame Assy.-Retard	1	1	1	1	

Frame Assy.-MPT



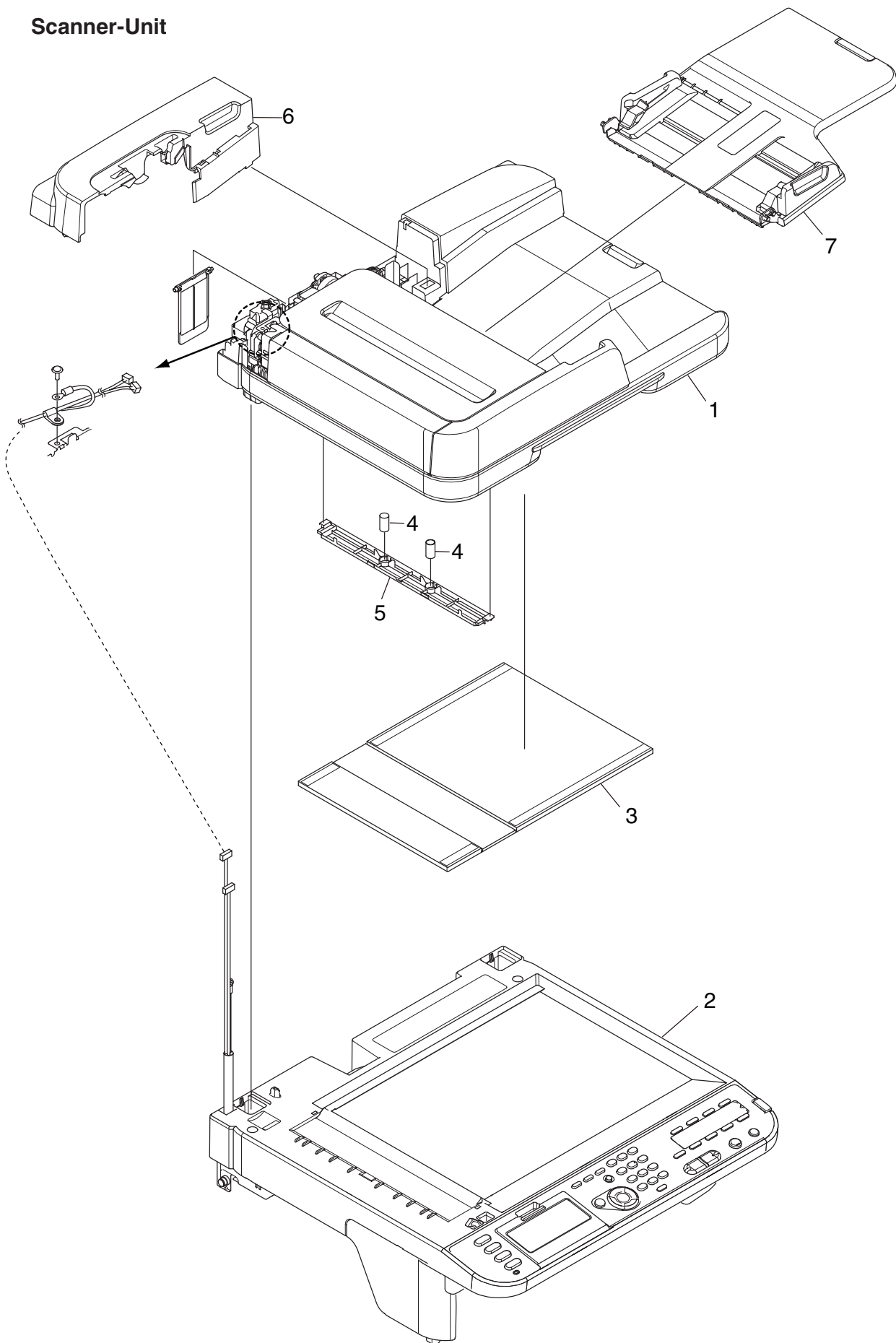
Unit Name	No.	Part No.	Part Name	Q'ty /Unit	commended Q'ty/Y			Remarks
					per 500	per 1000	per 2000	
Frame Assy.-MPT	1	43922402	Frame Assy.-Separator	1	1	1	1	
Frame Assy.-MPT	2	44009301	Spring-Separator	1	1	1	1	
Frame Assy.-MPT	3	43922301	Roller-Assy-MPT	1	1	1	1	

Cover Assy.-MPT



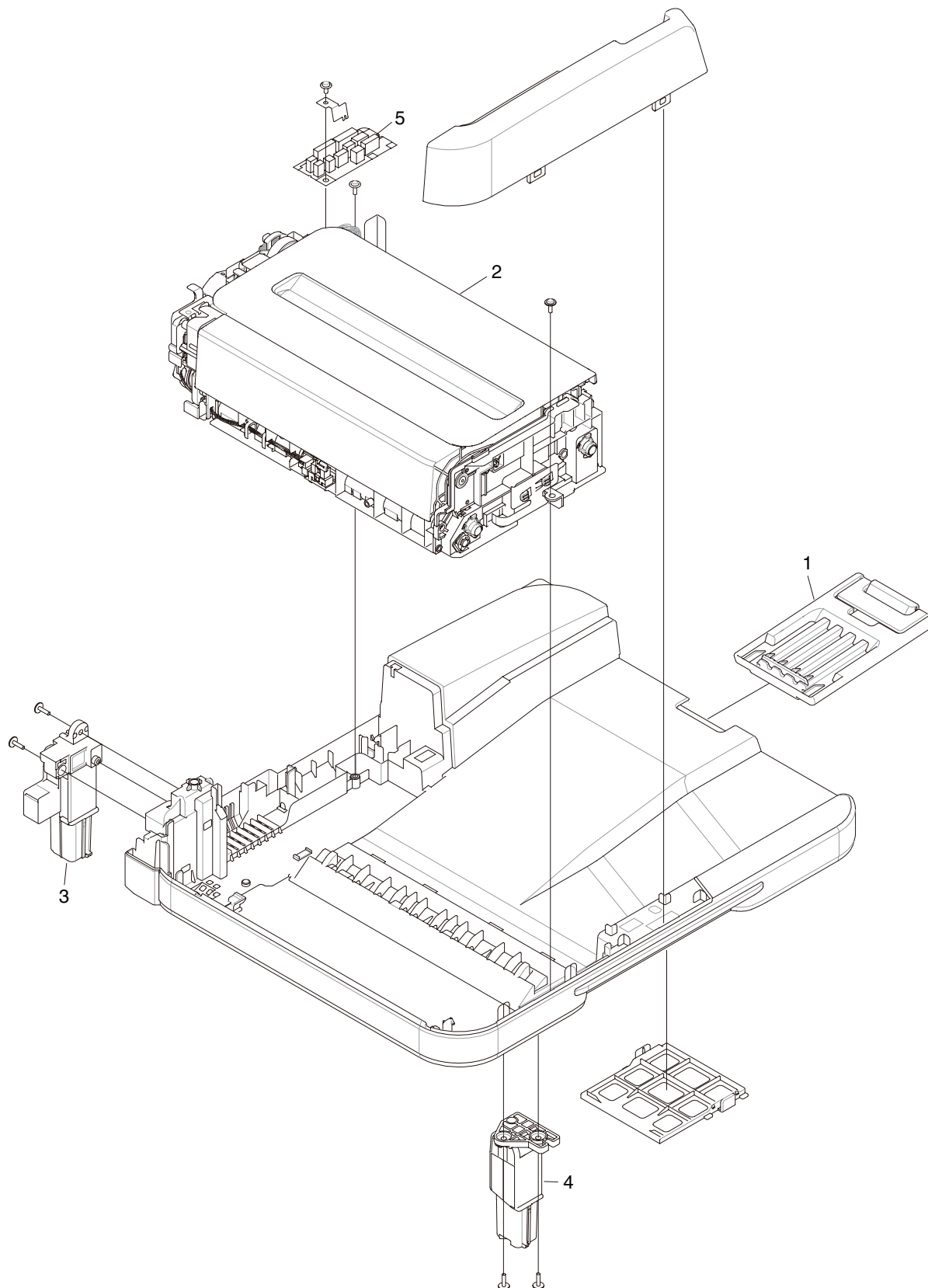
Unit Name	No.	Part No.	Part Name	Q'ty /Unit	commended Q'ty/Y			Remarks
					per 500	per 1000	per 2000	
Cover Assy.-MPT	1	42073501	Spring-Hopper	1	1	1	1	

Scanner-Unit



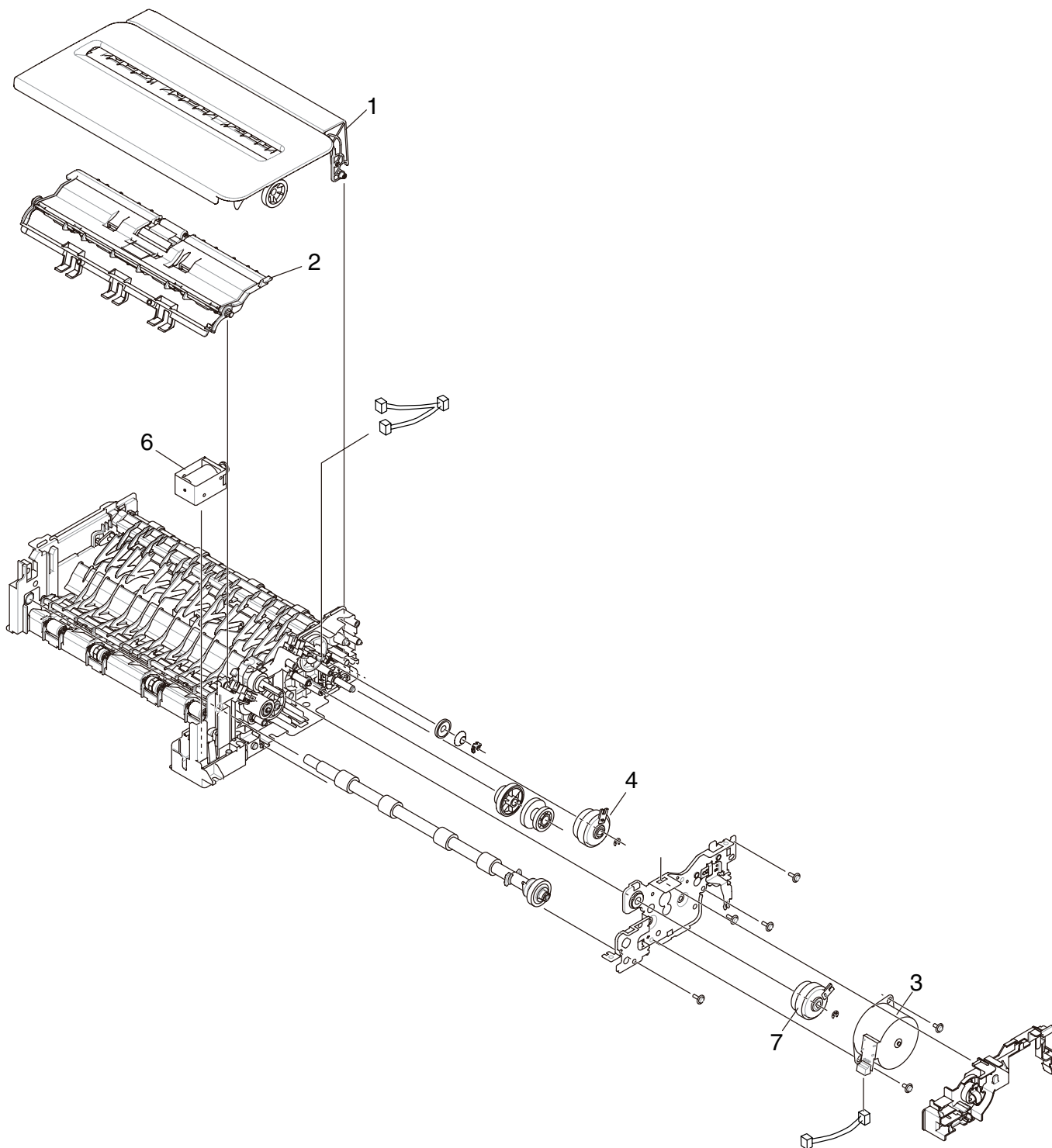
Unit Name	No.	Part No.	Part Name	Q'ty /Unit	commended Q'ty/Y			Remarks
					per 500	per 1000	per 2000	
Scanner-Unit	1	46554911	ADF-Unit_MC363	1	1	1	1	
Scanner-Unit	2	46554923	Flatbed-Unit_MC363(ODA/AOS)	1	1	1	1	ODA/AOS/OAU
Scanner-Unit	3	44659501	Sheet-Document	1	1	1	1	
Scanner-Unit	4	44538001	Spring-PW-ADF	2	1	1	1	
Scanner-Unit	5		Paper-Weight-Assy	1	1	1	1	
Scanner-Unit	6		Cover-ADF-R-Assy	1	1	1	1	
Scanner-Unit	7	44538701	Tray-Assy-Document	1	1	1	1	

ADF-Unit



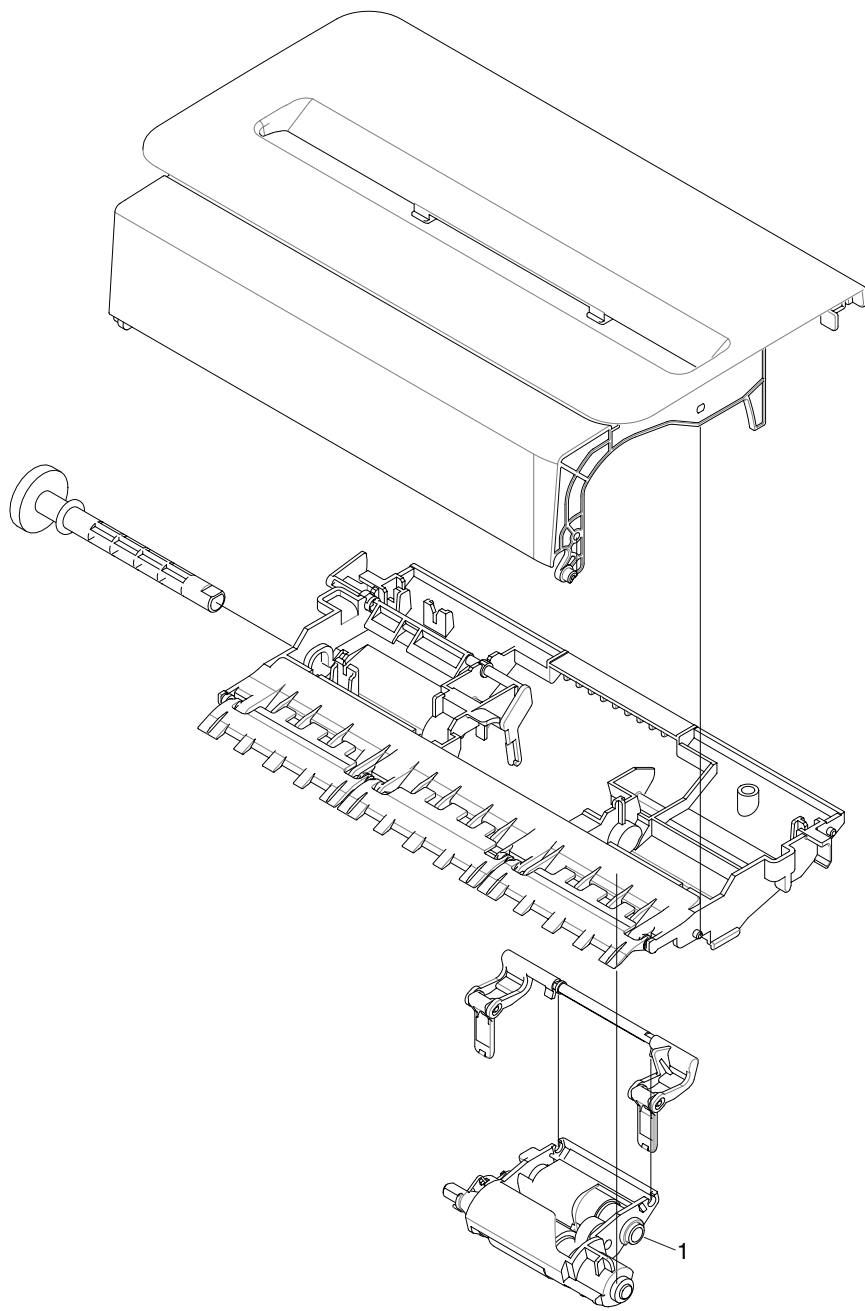
Unit Name	No.	Part No.	Part Name	Q'ty /Unit	commended Q'ty/Y			Remarks
					per 500	per 1000	per 2000	
ADF-Unit	1	44529101	Guide-Assy-Exit-Sub	1	1	1	1	
ADF-Unit	2	44939202	ADF-Assy	1	1	1	1	
ADF-Unit	3	44539301	Hinge-Assy-L	1	1	1	1	
ADF-Unit	4	44539901	Hinge-Assy-R	1	1	1	1	
ADF-Unit	5	44604601	OR-ADF Board	1	1	1	1	ADF Board

ADF-Assy



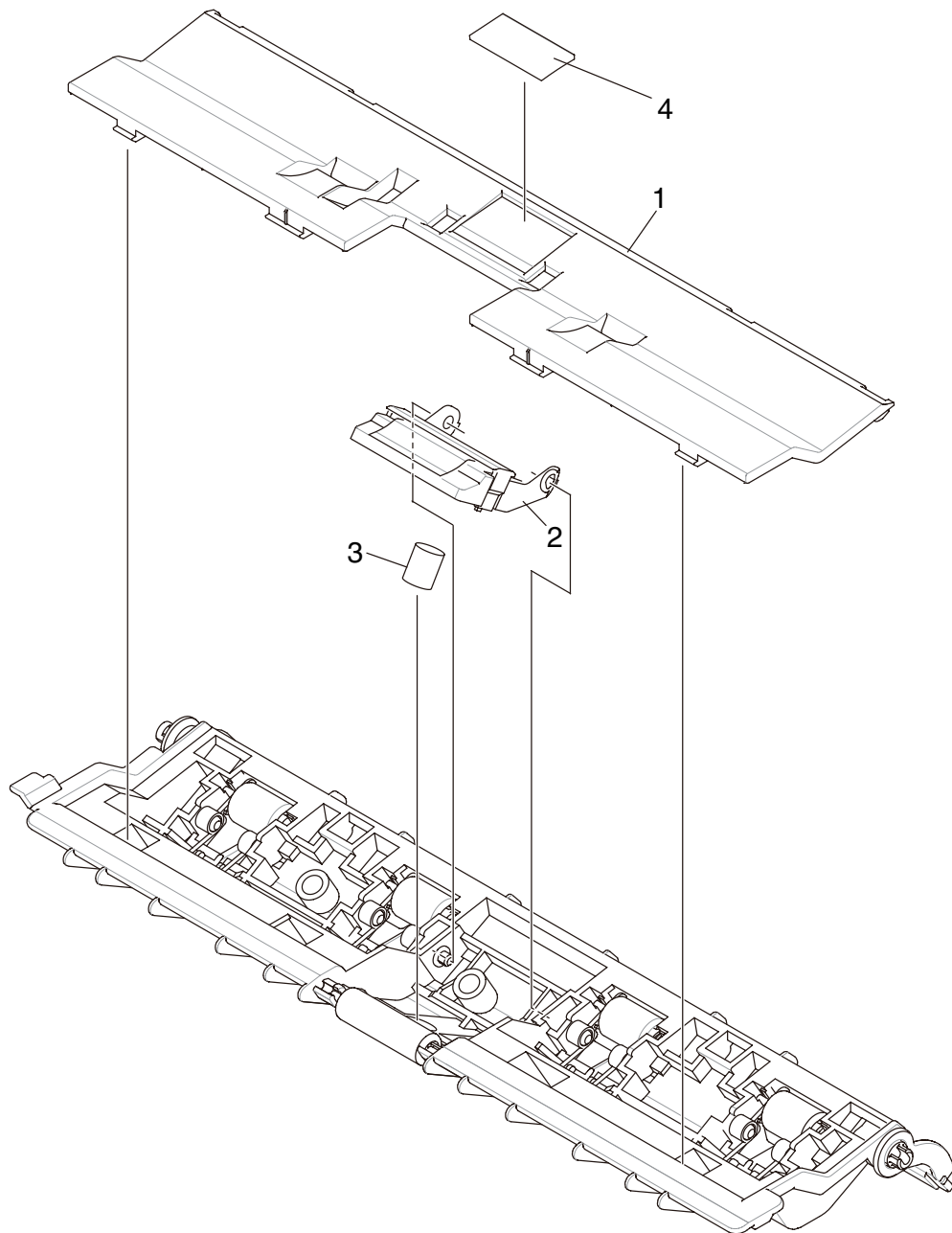
Unit Name	No.	Part No.	Part Name	Q'ty /Unit	commended Q'ty/Y			Remarks
					per 500	per 1000	per 2000	
ADF-Assy	1	44530103	Cover-Assy-Top-ADF	1	1	1	1	
ADF-Assy	2	44532402	Guide-Assy-A	1	1	1	1	
ADF-Assy	3	43075101	Motor_Pulse_Belt	1	1	1	1	ADF-Motor
ADF-Assy	4	44261401	Clutch	1	1	1	1	ADF-Reg-CL
ADF-Assy	6	42058303	Solenoid	1	1	1	1	ADF-Sol
ADF-Assy	7	44261406	Clutch-3.5	1	1	1	1	ADF-Hop-CL (Same part of Front Assy.-Hop/Reg No.7)

Cover-Assy-Top-ADF



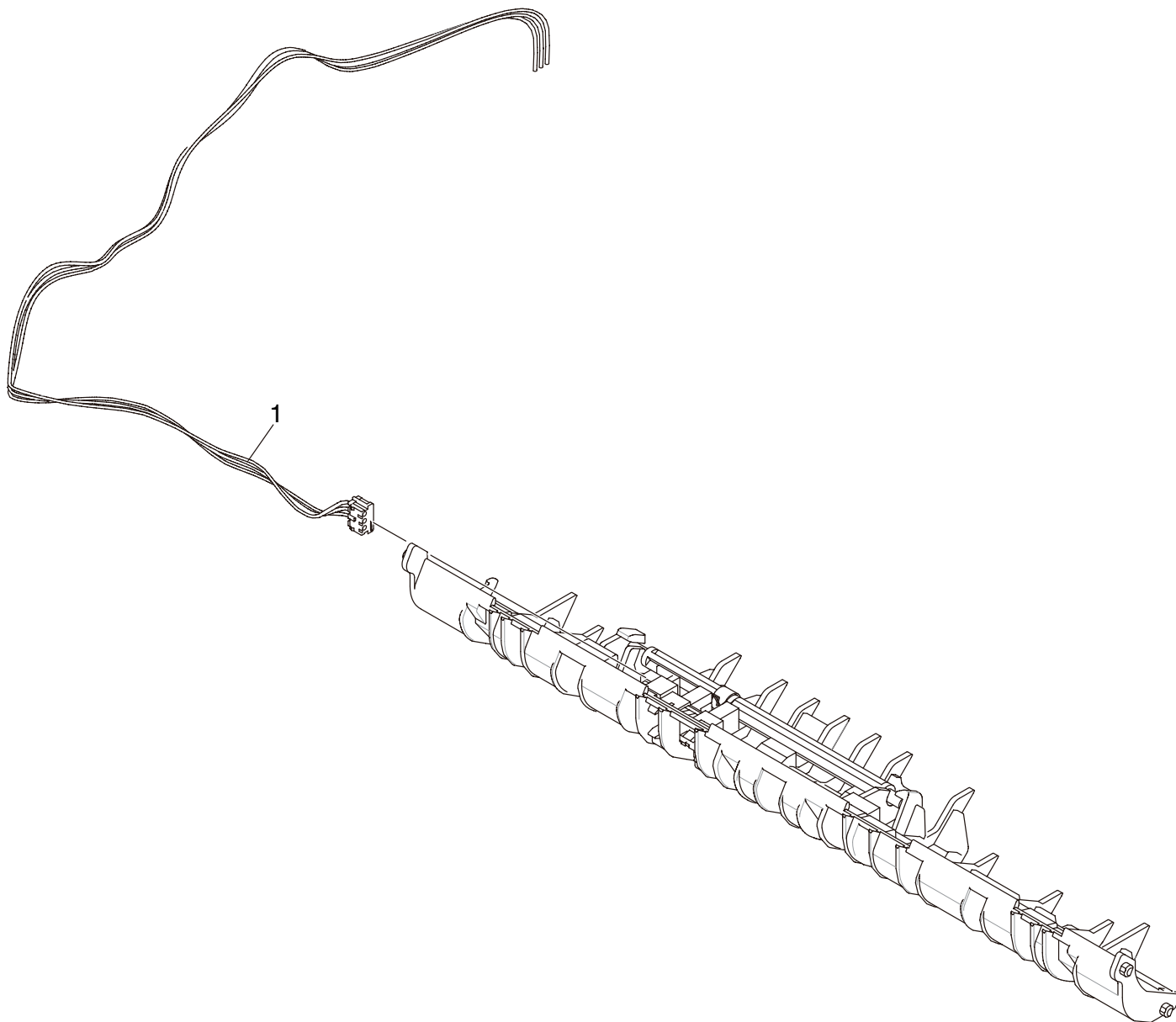
Unit Name	No.	Part No.	Part Name	Q'ty /Unit	commended Q'ty/Y			Remarks
					per 500	per 1000	per 2000	
Cover-Assy-Top-ADF	1	44531101	Frame-Assy-Hopping-ADF	1	1	1	1	

Guide-Assy-A



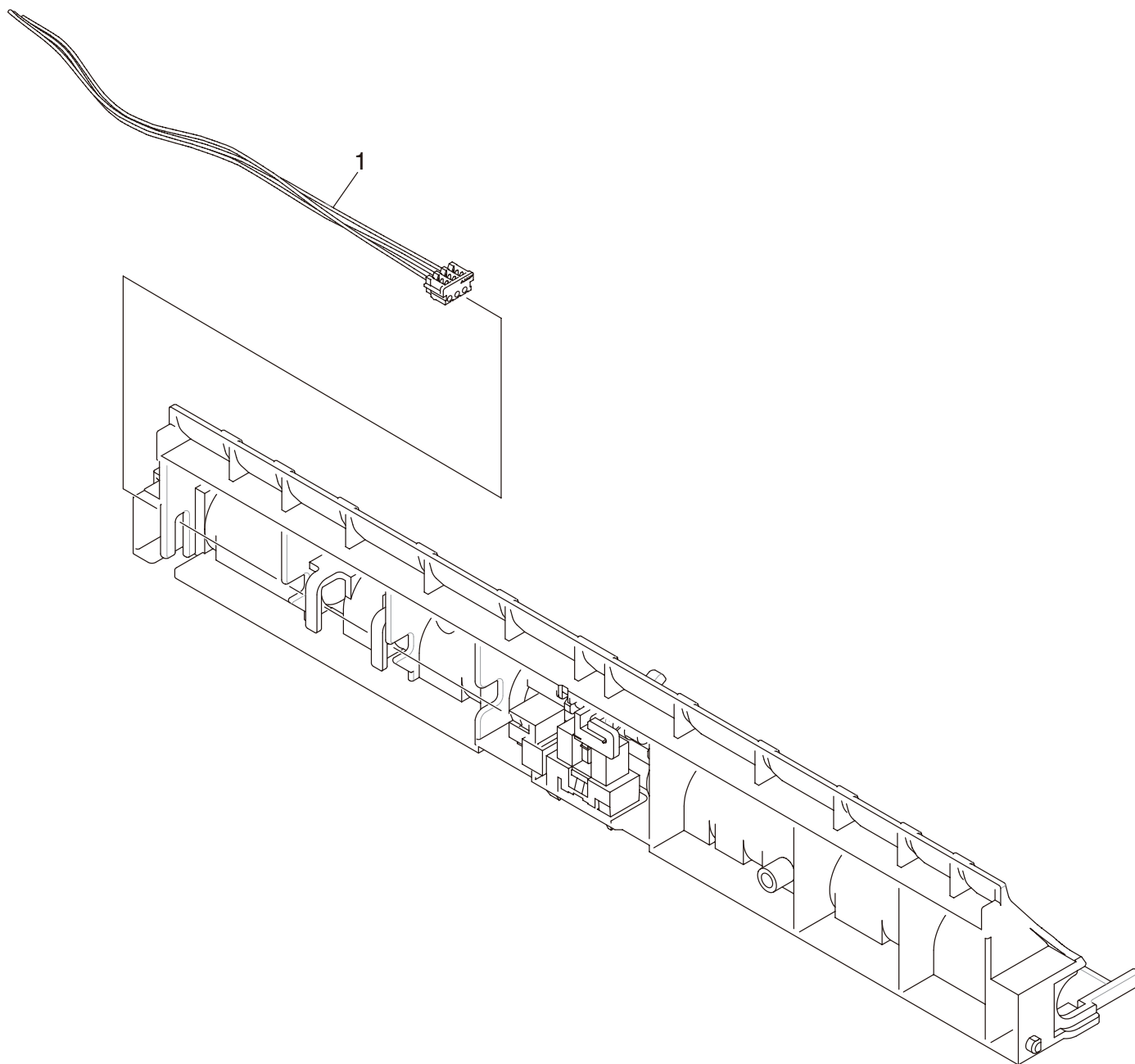
Unit Name	No.	Part No.	Part Name	Q'ty /Unit	commended Q'ty/Y			Remarks
					per 500	per 1000	per 2000	
Guide-Assy-A	1	44532601	Guide-A-Sub	1	1	1	1	
Guide-Assy-A	2	44532702	Frame-Assy-Separator	1	1	1	1	
Guide-Assy-A	3	44533001	Spring-Separator	1	1	1	1	
Guide-Assy-A	4	44533301	Rubber-Friction	1	1	1	1	

Guide-Assy-C



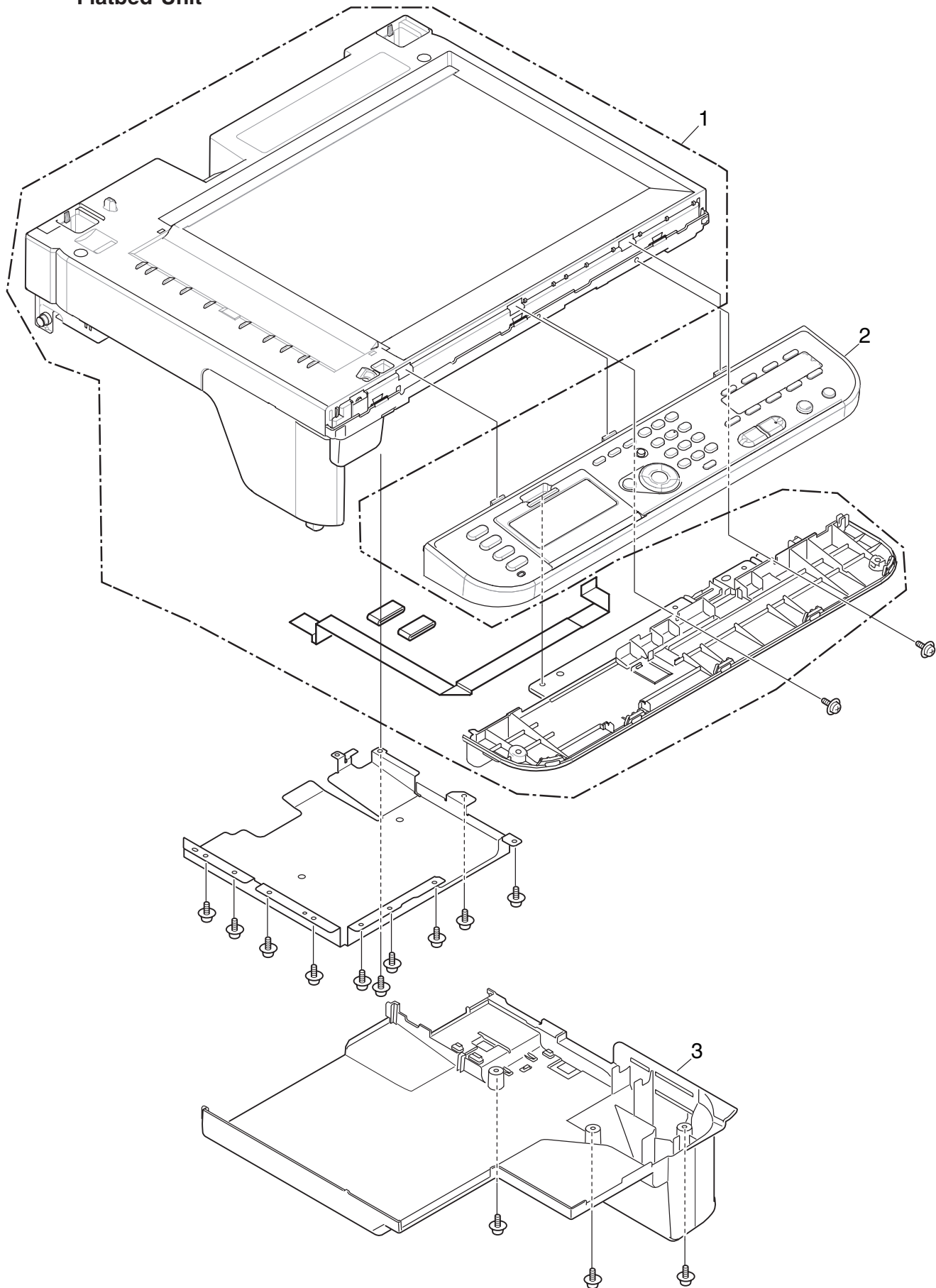
Unit Name	No.	Part No.	Part Name	Q'ty /Unit	commended Q'ty/Y			Remarks
					per 500	per 1000	per 2000	
Guide-Assy-C	1		CONN Cord-AMP3P-JST3P	1	1	1	1	ADF-Rev SNS

Guide-Assy-D



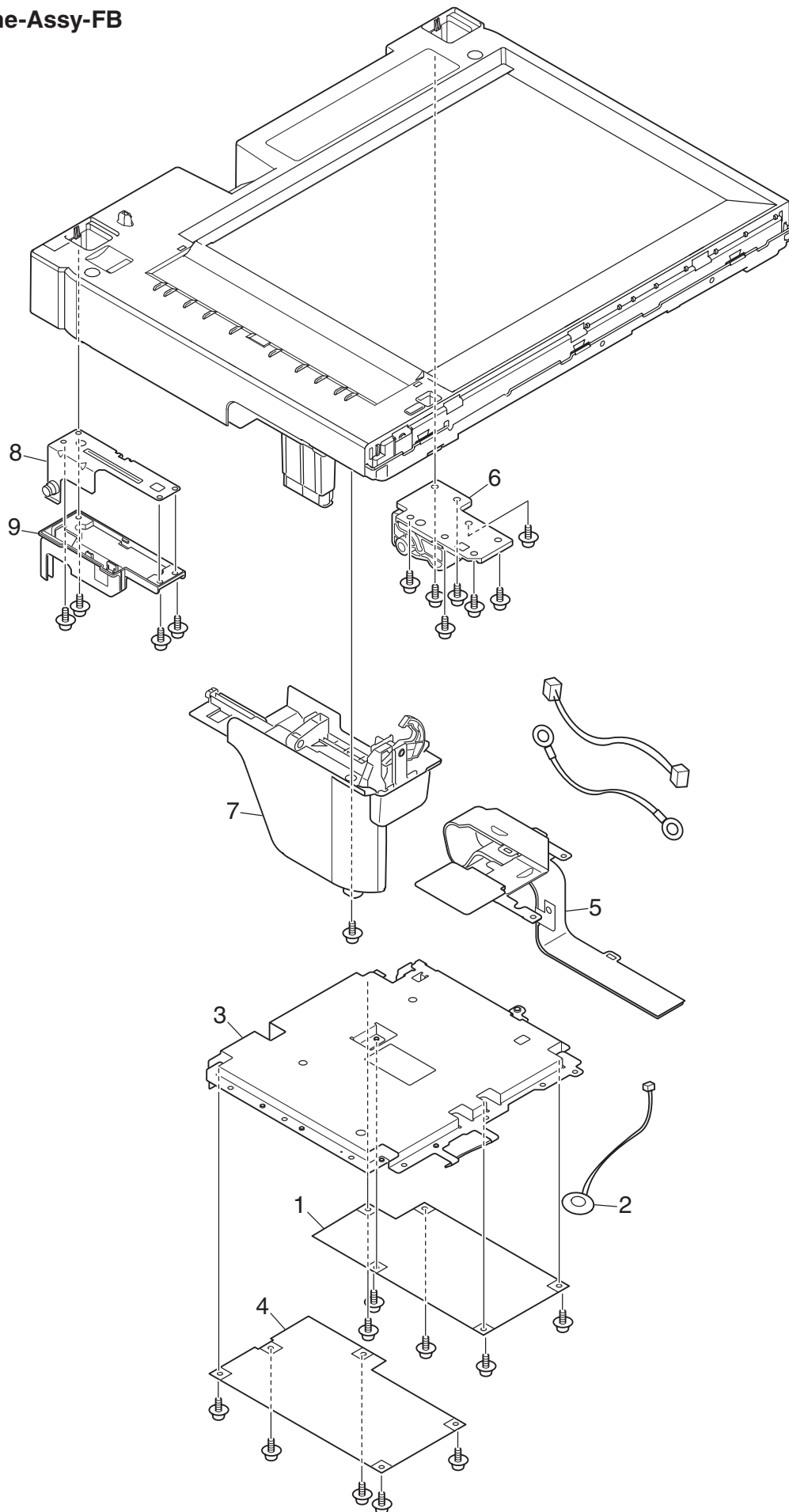
Unit Name	No.	Part No.	Part Name	Q'ty /Unit	commended Q'ty/Y			Remarks
					per 500	per 1000	per 2000	
Guide-Assy-D	1		CONN Cord-AMP3P-AMP3P	1	1	1	1	ADF-Reg SNS

Flatbed-Unit



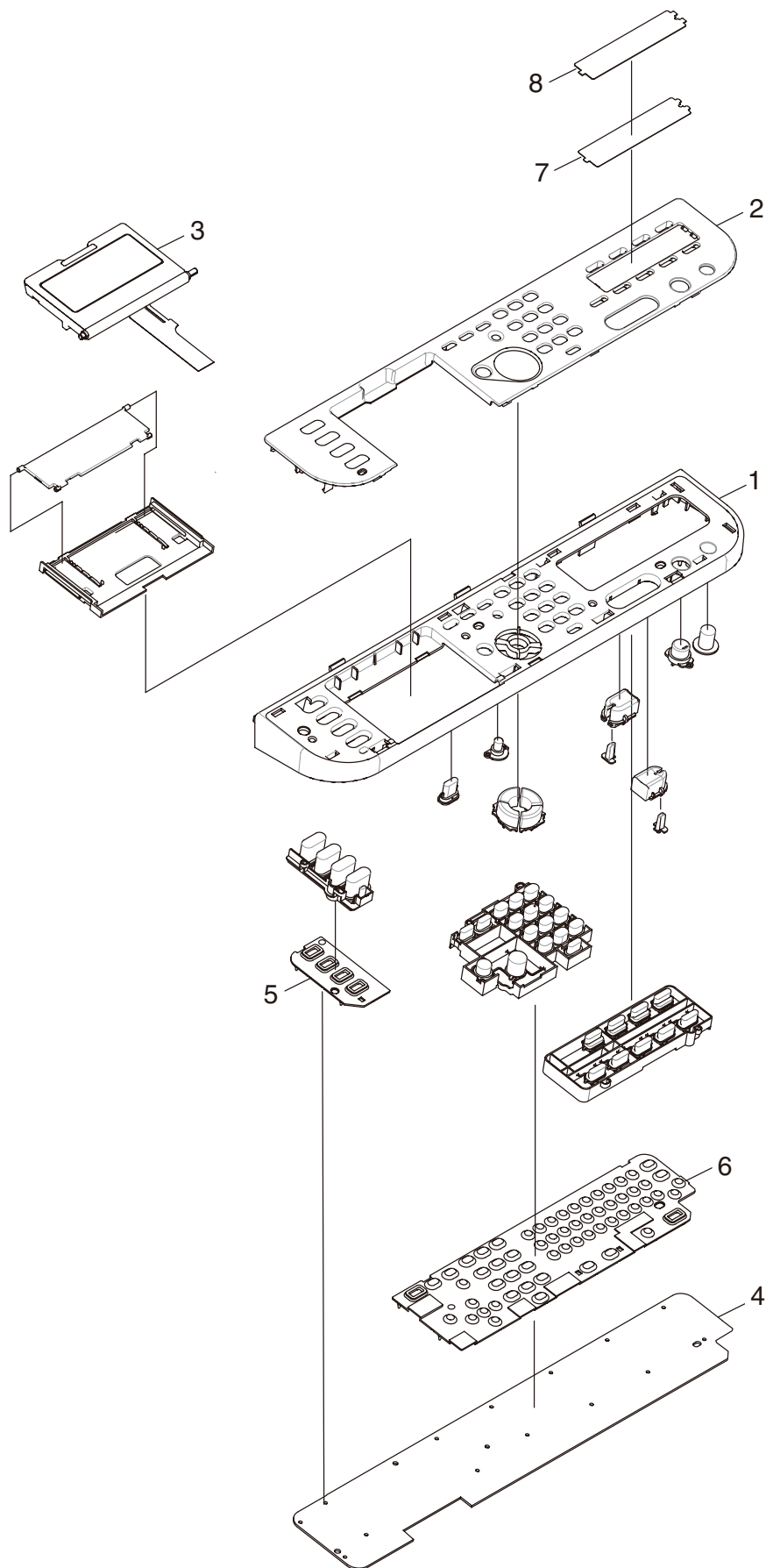
Unit Name	No.	Part No.	Part Name	Q'ty /Unit	commended Q'ty/Y			Remarks
					per 500	per 1000	per 2000	
Flatbed-Unit	1		Frame Assy-FB_MC363(OEL)	1	1	1	1	OEL
Flatbed-Unit	1		Frame Assy-FB_MC363(JPN)	1	1	1	1	JPN
Flatbed-Unit	1	46554933	Scanner-Unit_MC363(ODA/AOS)	1	1	1	1	ODA/AOS/OAU
Flatbed-Unit	2		Frame-Assy-OP_MC363(overseas)	1	1	1	1	Oversea
Flatbed-Unit	2		Frame-Assy-OP(MC363)_JPN	1	1	1	1	JPN
Flatbed-Unit	3		Cover-Bottom_	1	1	1	1	

Frame-Assy-FB



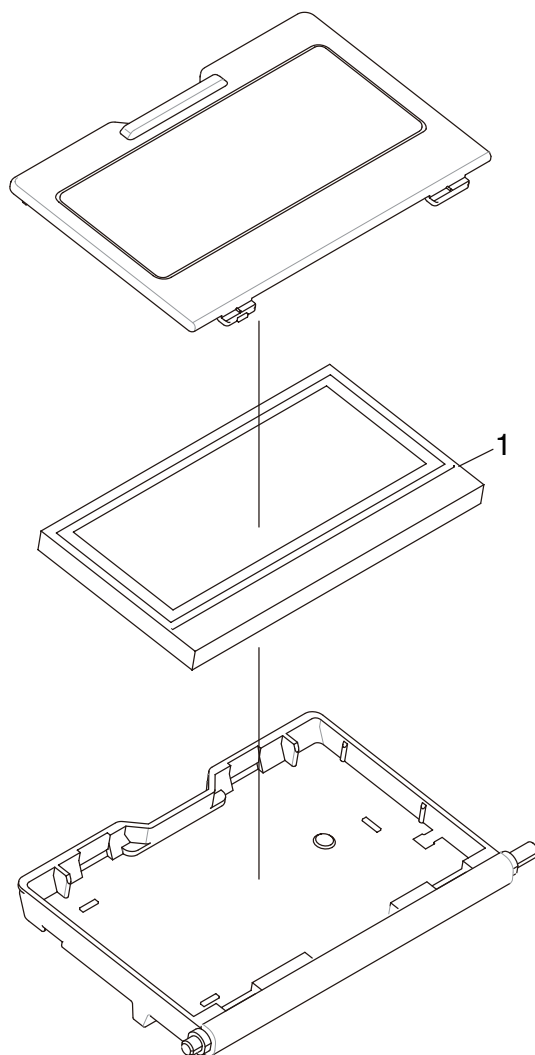
Unit Name	No.	Part No.	Part Name	Q'ty /Unit	commended Q'ty/Y			Remarks
					per 500	per 1000	per 2000	
Frame-Assy-FB	1	46373901	OR-Board-77S	1	1	1	1	SU Board
Frame-Assy-FB	2	44908701	Speaker Assy.	1	1	1	1	
Frame-Assy-FB	3		Plate-Board(SU)	1	1	1	1	
Frame-Assy-FB	4	45885104	Board-FXS Maintenance Board	1	1	1	1	FAX Board:excpet OEL and JPN
Frame-Assy-FB	5		Film Assy.-FFC(CU-SU)	1	1	1	1	FFC(CU-SU)
Frame-Assy-FB	6		Cam-Hinge	1	1	1	1	
Frame-Assy-FB	7		Cover-Assy-LFW	1	1	1	1	
Frame-Assy-FB	8		Plate-Hinge-L(Caulking)	1	1	1	1	
Frame-Assy-FB	9		Cover-Hinge(L)	1	1	1	1	

Frame-Assy-OP



Unit Name	No.	Part No.	Part Name	Q'ty /Unit	commended Q'ty/Y			Remarks
					per 500	per 1000	per 2000	
Frame-Assy-OP	1		Frame-OP-Panel(B)	1	1	1	1	
Frame-Assy-OP	2		Cover-OP-Panel(B) overseas	1	1	1	1	Oversea
Frame-Assy-OP	3	44596901	LCD-Assy	1	1	1	1	
Frame-Assy-OP	4	44604302	OR-OPE Board-2	1	1	1	1	
Frame-Assy-OP	5		Rubber-Pad(L)	1	1	1	1	
Frame-Assy-OP	6		Rubber-Pad(R)	1	1	1	1	
Frame-Assy-OP	7		Sheet-One-Touch	1	1	1	1	
Frame-Assy-OP	8		Flim-One-Touch	1	1	1	1	

LCD-Assy



Unit Name	No.	Part No.	Part Name	Q'ty /Unit	commended Q'ty/Y			Remarks
					per 500	per 1000	per 2000	
LCD-Assy	1		JIC-MSGF012138-07	1	2	4	8	
LCD-Assy	1		BTG-320128C-FBWAGGA3	1	2	4	8	