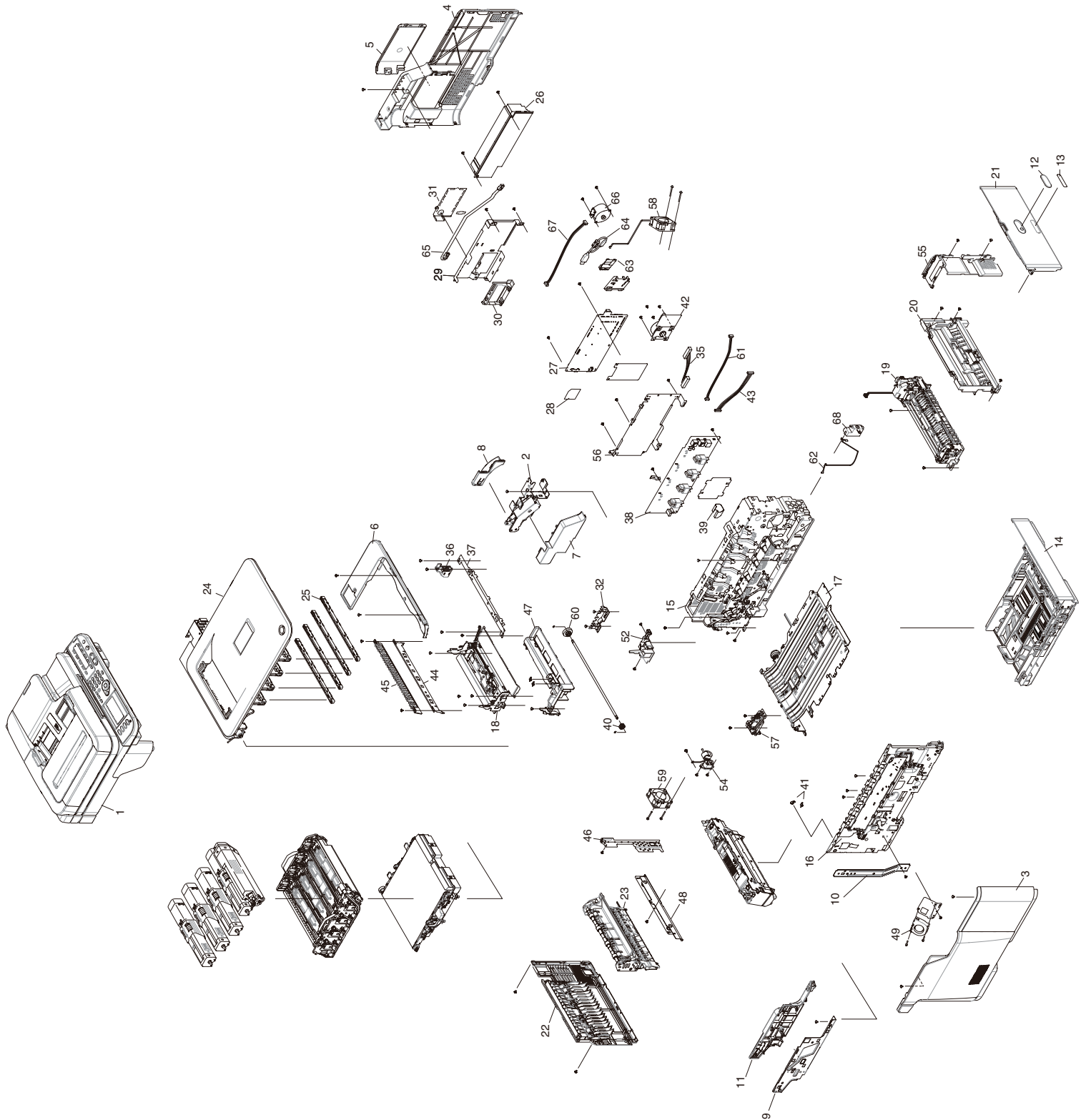


**MC362w / MC562w
MPS2731mc
Illustrated Spare
Parts Manual**

072613A

MFP-Unit (Wireless-LAN model)

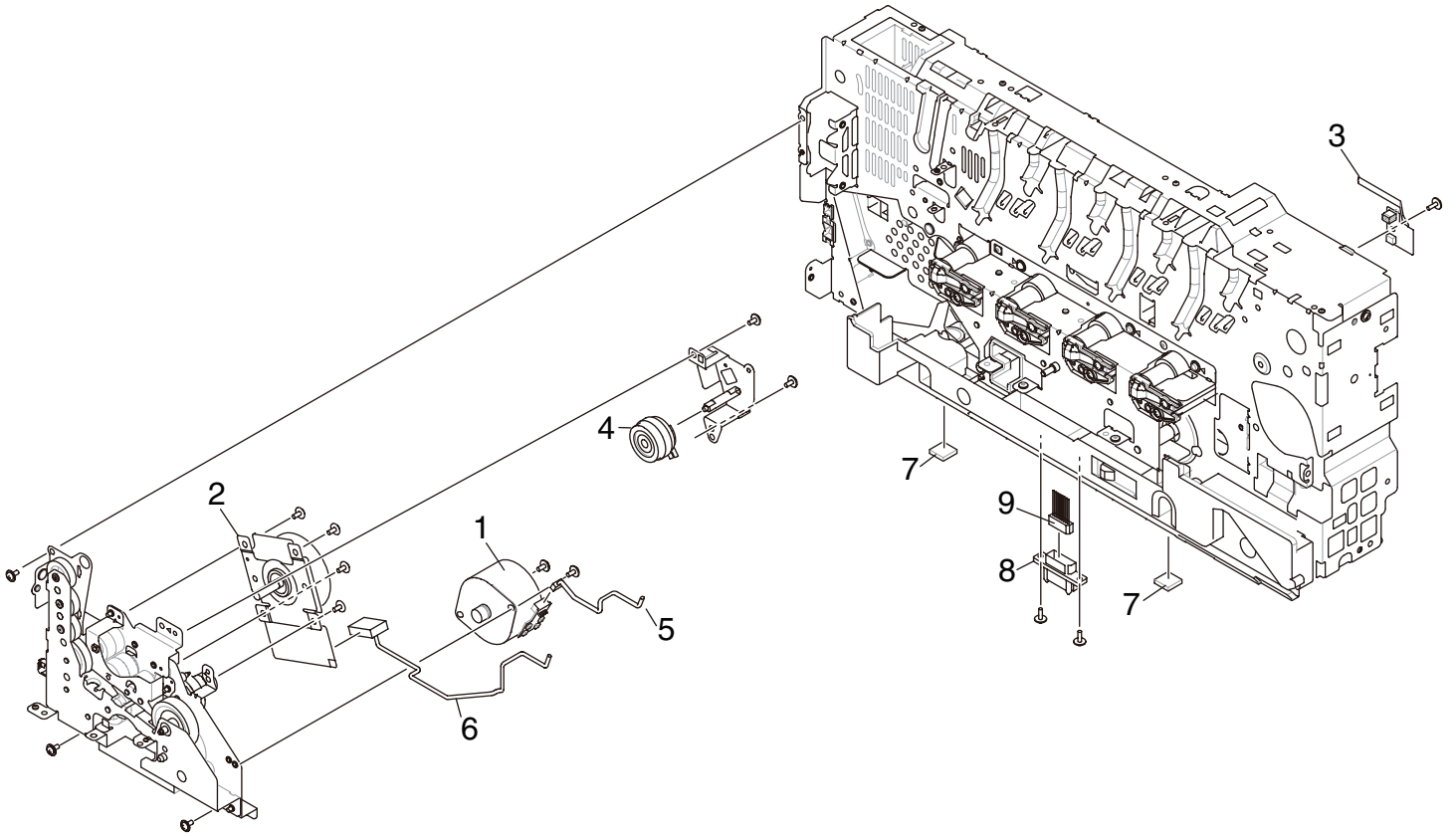


No.	Part No.	Part Name	Q'ty /Unit	Recommended Q'ty/Year			Remarks
				per	per	per	
				500	1000	2000	
1	45654003	Scanner-Mainte-Unit_MC362/362w_ODA/AOS	1	1	2	4	MC362/362w ODA/AOS(AirPrint-enabled)
1	45654005	Scanner-Mainte-Unit_MC562/562w_ODA/AOS	1	1	2	4	MC562/562w ODA/AOS(AirPrint-enabled)
2		Hinge-Assy-FB(FX750-MLK)	1	1	2	4	
3		Cover-Side(L)	1	1	2	4	
4		Cover-Side(R)	1	1	2	4	Soft Switch
4		Cover-SideR-W	1	1	2	4	MC342w/MC562w
5		Cover-IF	1	1	2	4	
5		Cover-IF-W	1	1	2	4	MC342w/MC562w
6		Cover-Front	1	1	2	4	Hole none
7		Cover-Hinge(R)	1	1	2	4	
8		Cover-Hinge(RB)	1	1	2	4	
9		Plate-Support-Stay-L	1	1	2	4	
10		Plate-Support-R	1	1	2	4	
11		Cover-Stay-L	1	1	2	4	
12		Plate-Logo	1	1	2	4	
13		Plate-name	1	1	2	4	MC362 Oversea
13		Plate-name	1	1	2	4	MC562 Oversea
13		Plate-name_MC562w	1	1	2	4	MC562w
14	44454101	Case-Cassette-Assy.-750	1	1	2	4	
15		Side-R Assy	1	1	2	4	
16		Side-L Assy.	1	1	2	4	
17		Base-Assy	1	1	2	4	
18	44452601	Sensor Assy.-Regist	1	1	2	4	
19	44452701	Front Assy.-Hop/Reg	1	1	2	4	
20	44359201	Frame Assy.-MPT	1	1	2	4	
21		Cover Assy.-MPT	1	1	2	4	

No.	Part No.	Part Name	Q'ty /Unit	Recommended Q'ty/Year			Remarks
				per	per	per	
				500	1000	2000	
22		Cover-Assy.-Rear	1	1	2	4	
23	44364101	Eject-Assy.-H	1	1	2	4	MC562, Color:Twilight Purple
23	44364102	Eject-Assy.-L	1	1	2	4	MC362/352/342/332, Color:Tender Gray
24		Cover-Top-Assy-H(MFP)	1	1	2	4	MC562, Color:Twilight Purple
24		Cover-Top-Assy-L(MFP)	1	1	2	4	MC362/352/342/332, Color:Tender Gray
25	44317201	LED Head Unit-51TRA	4	2	4	8	600dpi
26	44883701	PWR unit-ACDC Switch	1	2	4	8	Power-Unit(Low-Voltage 100V)
26	44883801	PWR unit-ACDC Switch	1	2	4	8	Power-Unit(Low-Voltage 230V)
27	45398904	Board-CLW-4 Maintenance for MC562dw(ODA)	1	2	4	8	Board PUCU (AirPrint-enabled)
27	45398905	Board-CLW-4 Maintenance for MC362dw(ODA)	1	2	4	8	Board PUCU (AirPrint-enabled)
27	45398906	Board-CLW-4 Mainte for MPS2731mc(ODA)	1	2	4	8	Board PUCU (AirPrint-enabled)
28	44301010	SD-4GB for equipment/maintenance	1	2	4	8	SD Card for MC562/MC562w
29		Plate-Board-B	1	1	2	4	
29		Plate-Board-B-W	1	1	2	4	MC342w/MC562w
30		Cover-Board	1	1	2	4	
31		Plate-Assy-Board-C	1	1	2	4	
31		Plate-Assy-Board-C-W	1	1	2	4	MC342w/MC562w
35		CONN Cord-AMP16P-AMP16P	1	1	2	4	PWR unit-PU
36		Switch Assy.-InterLock	1	1	2	4	
37		Plate-Front	1	1	2	4	
38	44474001	OR-Board-ORZ	1	2	4	8	Board-ORZ(High Voltage)
39	56746803	SMCD-24-62BD(1.0)	1	1	2	4	ORZ-PU
40	44369801	Gear-Liftup-C	1	1	2	4	
41	44378901	Spring-Fuse	2	1	2	4	
42	44352601	Motor-DC(I)N	1	1	2	4	ID-Motor(common)
42	44560001	Motor-DC(I)M	1	1	2	4	MC332/MC342/MC352/MC362
43	44430001	CONN Cord-JST9P-JST9P	1	1	2	4	ID Motor-PU

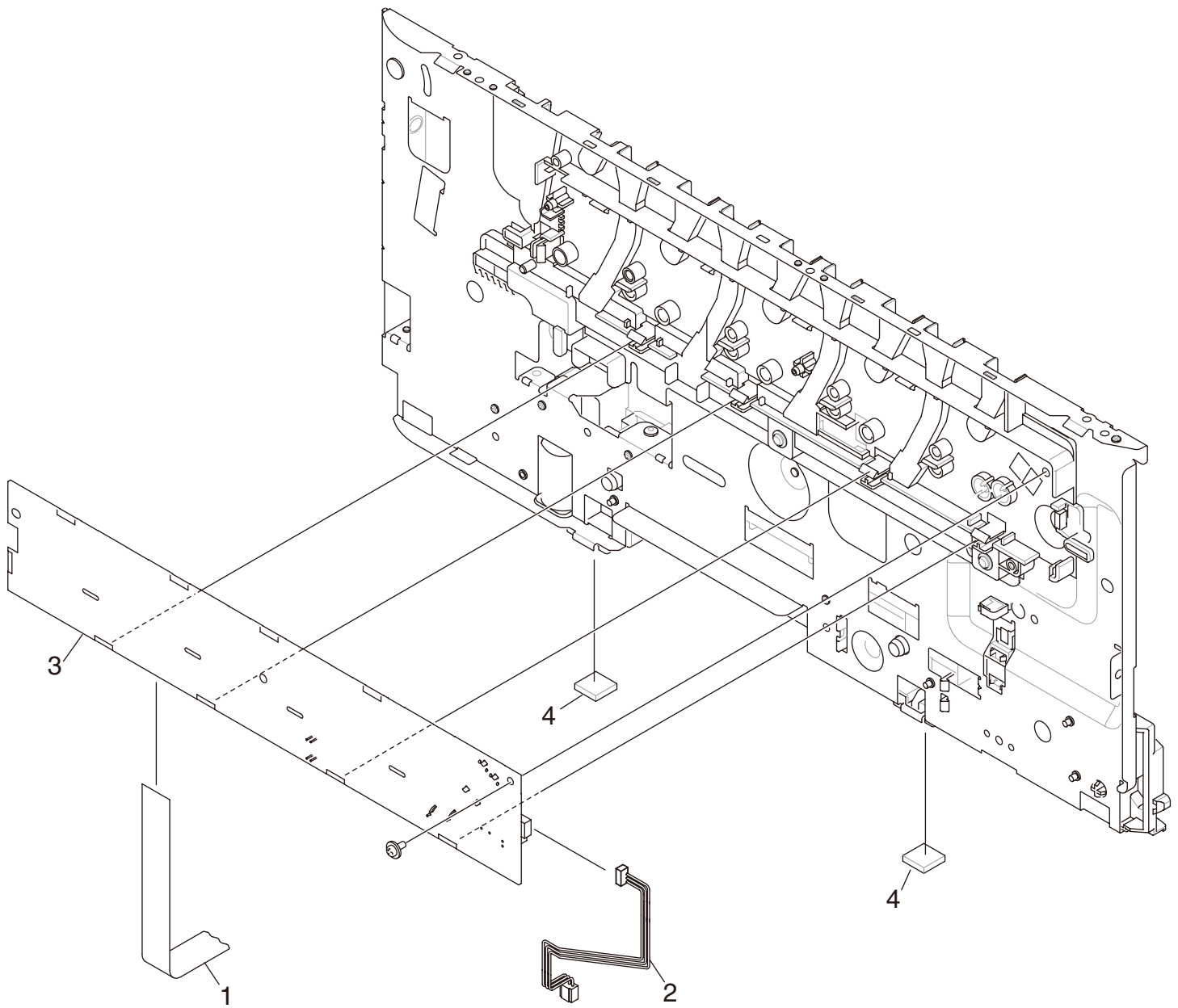
No.	Part No.	Part Name	Q'ty /Unit	Recommended Q'ty/Year			Remarks
				per	per	per	
				500	1000	2000	
44		Plate-Beam-FU	1	1	2	4	
45		Cover-Beam-FU	1	1	2	4	
46		Plate-Rear	1	1	2	4	
47		Cover-Code	1	1	2	4	
48		Plate-Bottom	1	1	2	4	
49	44353601	Motor-Fan(Blower)	1	1	2	4	ID-Fan
52		Frame-AC-Switch	1	1	2	4	
54		CONN Cord- JST3P-INLET for 750MLK	1	1	2	4	
55		Frame-MPT-Side	1	1	2	4	
56		Plate-Assy-Board-A	1	1	2	4	
56		Plate-Assy-Board-A-W	1	1	2	4	MC342w/MC562w
57	44454001	FG-Assy-Fuser	1	1	2	4	
58	44352501	Motor-FAN(60x25)	1	1	2	4	Front-Fan
59	44352502	Motor-FAN(60x25)	1	1	2	4	Rear-Fan(Exhaust)
60	44416701	Gear-Reduct-Liftup-B	1	1	2	4	
61		CONN Cord-JST3P-JST3P	1	1	2	4	PWR unit-CUPU
62		CONN Cord-JST4P-JST4P	1	1	2	4	soft switch - CUPU
63	44901702	Wireless LAN Unit (OkilAN 520w)	1	1	2	4	MC562w/362w/342w MPS2731mc/ES5462w
64		CONN Cord- USB-USB	1	1	2	4	MC342w/MC562w
65		CONN Cord_RJ45-RJ45(8P8C,CAT5)	1	1	2	4	MC342w/MC562w
66	43073101	Motor_Pulse_HOP	1	1	2	4	Hopping-Motor
67		CONN Cord-AMP4P-AMP4P	1	1	2	4	HoppngMotor-CUPU
68		Holder Assy.-SoftSW	1	1	2	4	

Side-R Assy



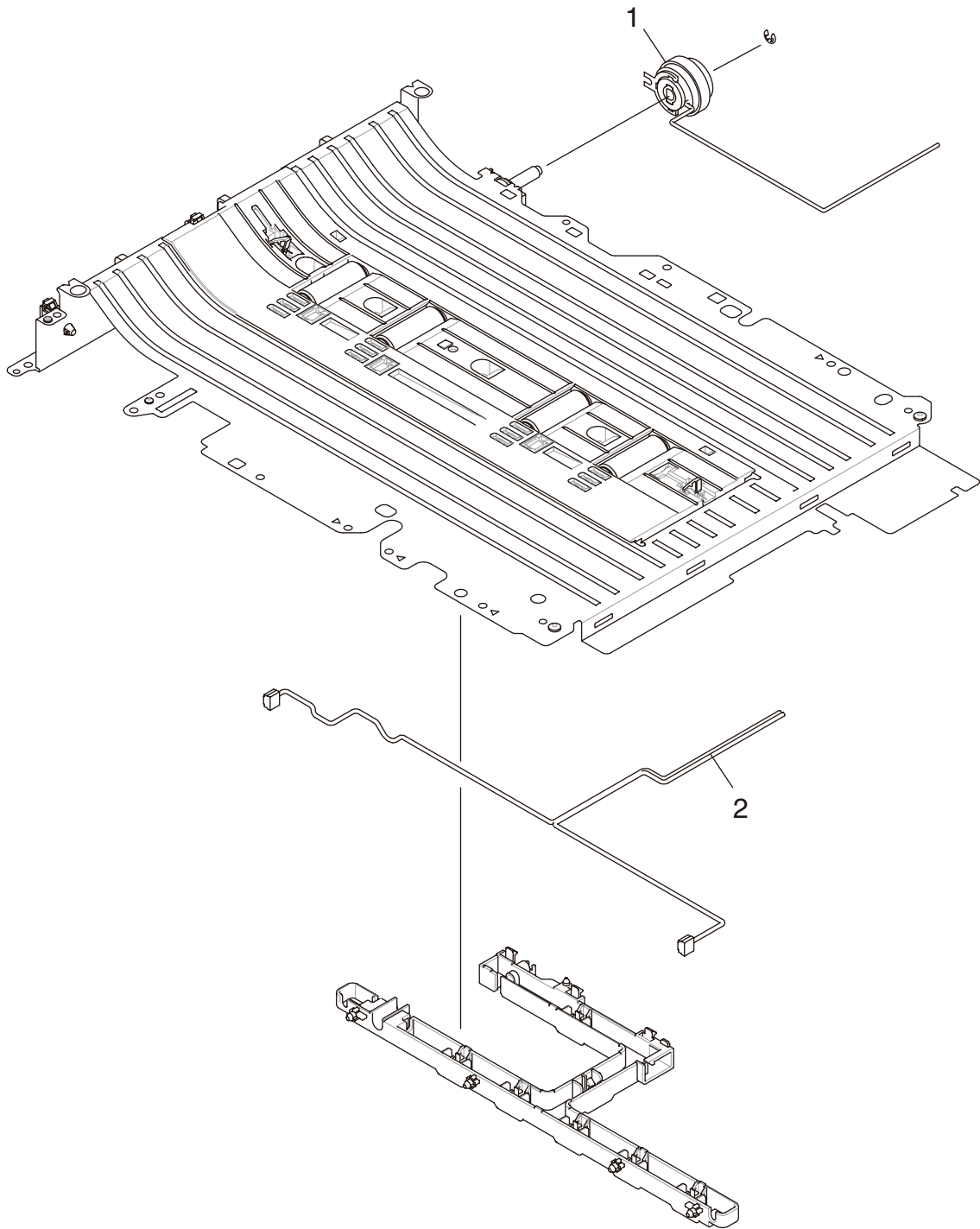
No.	Part No.	Part Name	Q'ty /Unit	Recommended Q'ty/Year			Remarks
				per	per	per	
				500	1000	2000	
1	43073101	Motor_Pulse_HOP	1	1	2	4	Belt-Motor
2	44349601	Motor-DC(F)	1	1	2	4	Fuser-Motor
3	44505801	OR-DOD	1	2	4	8	Board-DOD
4	44369901	Gear Assy.-CL35Z25	1	1	2	4	Up/Down-CL
5		CONN Cord-AMP4P-AMP4P	1	1	2	4	Belt Motor-PU
6		CONN Cord-JST8P-JST8P	1	1	2	4	Fuser Motor-PU
7		Rubber-Foot	2	1	2	4	
8		9715B-08Z02-G4C	1	1	2	4	
9		CONN Cord-AMP8P-AMP8P	1	1	2	4	
10	43073101	Motor_Pulse_HOP	1	1	2	4	
11		CONN Cord-AMP4P-AMP4P	1	1	2	4	

Side-L Assy



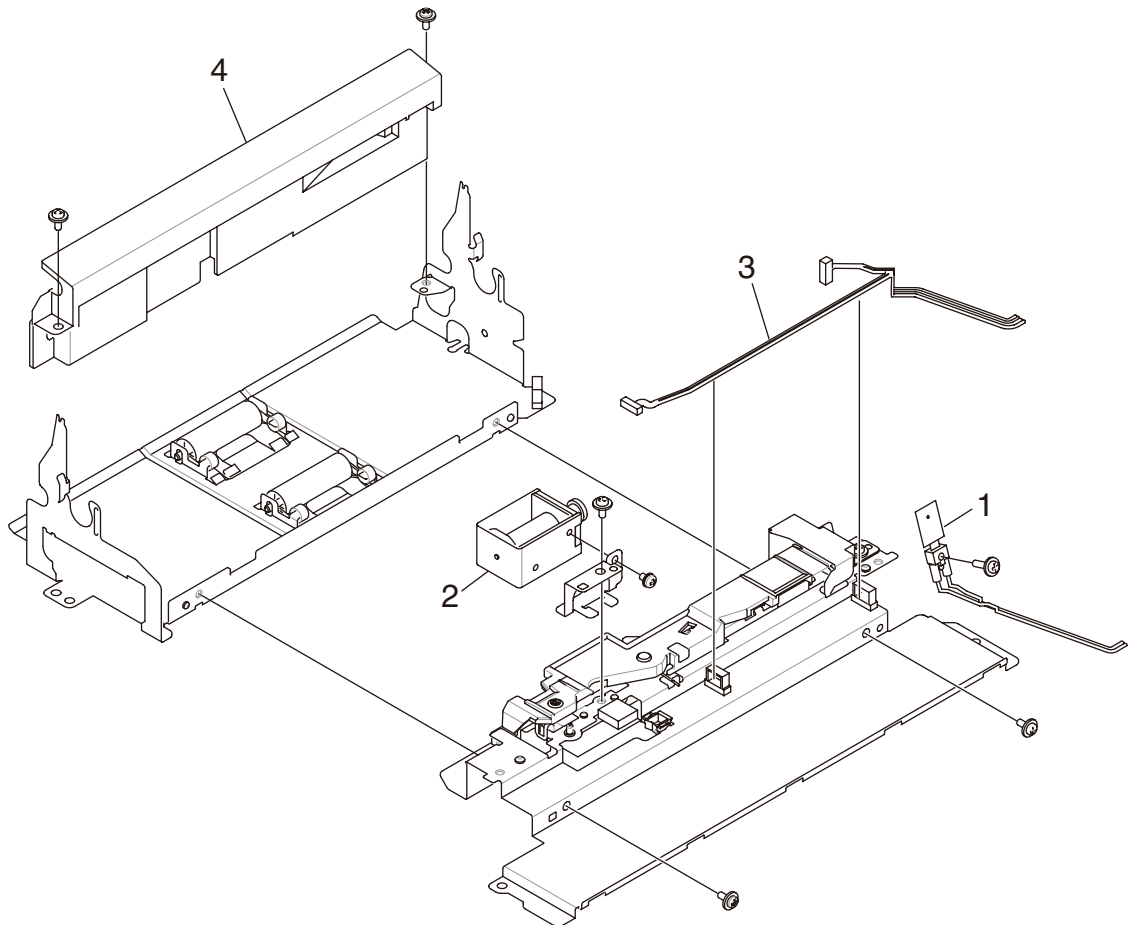
No.	Part No.	Part Name	Q'ty /Unit	Recommended Q'ty/Year			Remarks
				per	per	per	
				500	1000	2000	
1		SMCD-16-527BD(1.0)	1	1	2	4	ZHJ-PU
2		CONN Cord-AMP3P-AMP3P	1	1	2	4	ZHJ-Cass. SNS
3	44505601	OR-ZHJ	1	1	2	4	Board-ZHJ (Toner Sensor Board)
4		Rubber-Foot	2	1	2	4	

Base Assy



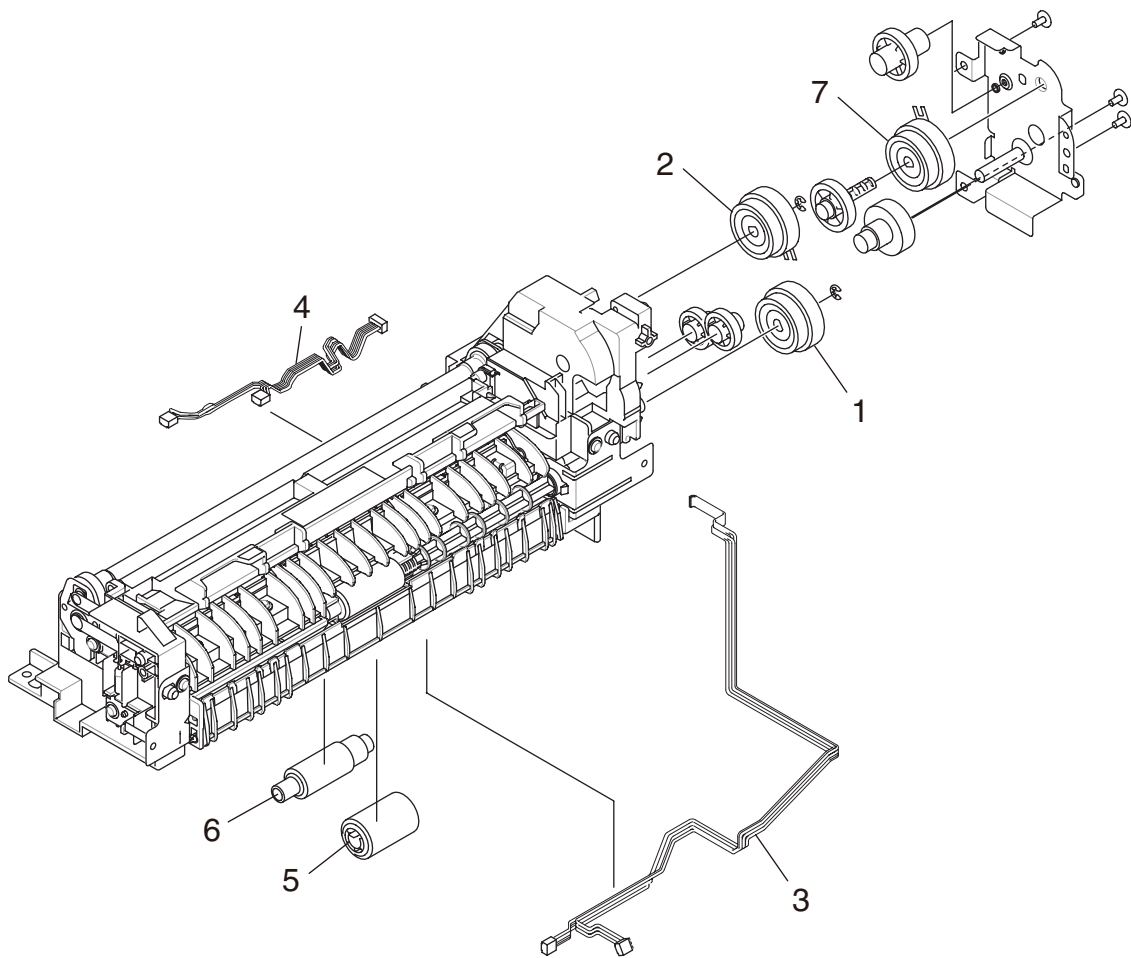
No.	Part No.	Part Name	Q'ty /Unit	Recommended Q'ty/Year			Remarks
				per	per	per	
				500	1000	2000	
1	44354901	Gear-Assy.-CL25Z19	1	1	2	4	Duplex-CL
2		CONN Cord-AMP6P-AMP3P-AMP3P	1	1	2	4	PU-Dup. SNS

Sensor Assy.-Regist



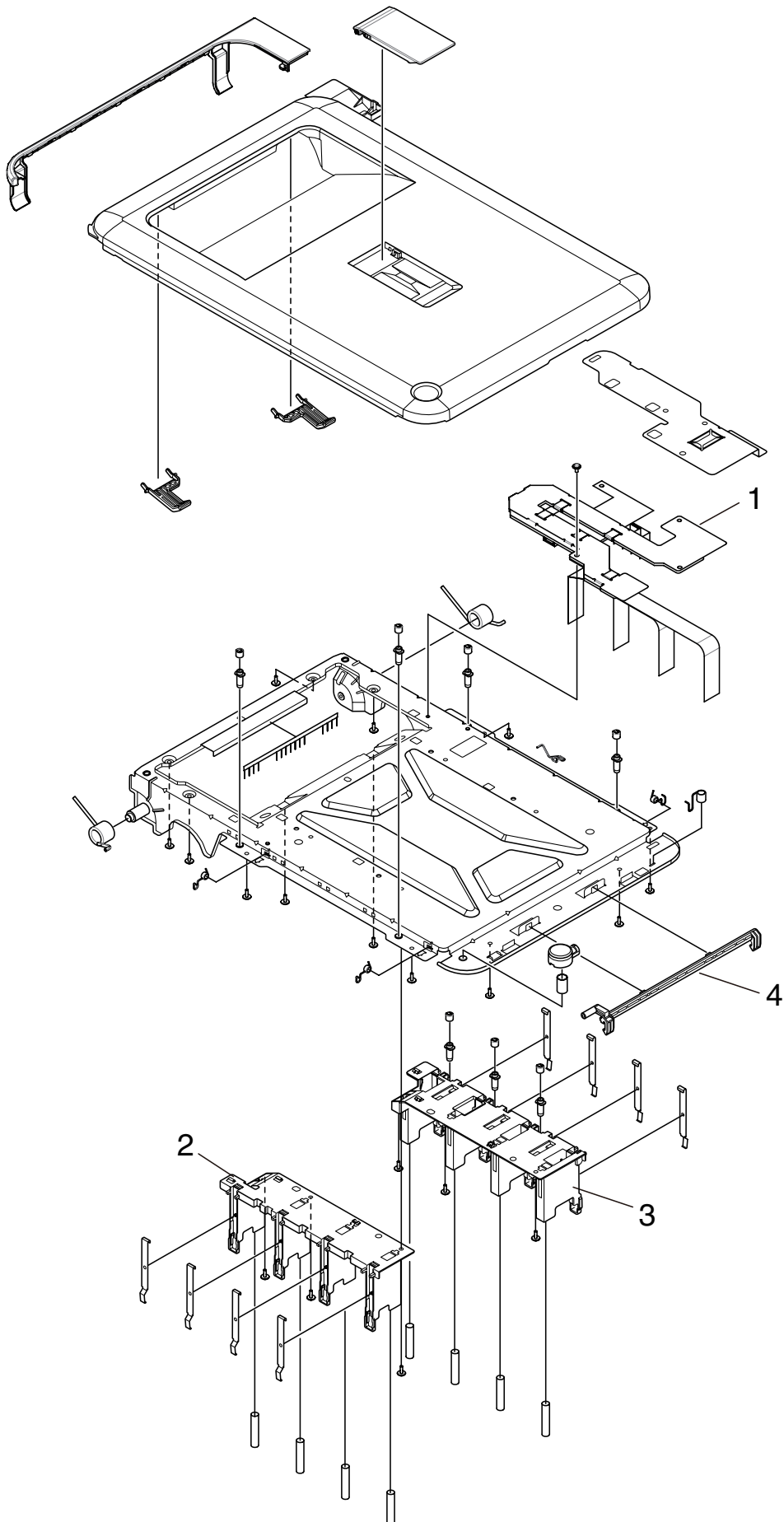
No.	Part No.	Part Name	Q'ty /Unit	Recommended Q'ty/Year			Remarks
				per	per	per	
				500	1000	2000	
1	42605201	Thermistor-Belt	1	1	2	4	
2	42058304	Solenoid	1	1	2	4	Shutter
3		CONN Cord-AMP10P-AMP5PAMP5P	1	1	2	4	Sensor Assy-PU
4		Guide-BF	1	1	2	4	

Front Assy.-Hop/Reg



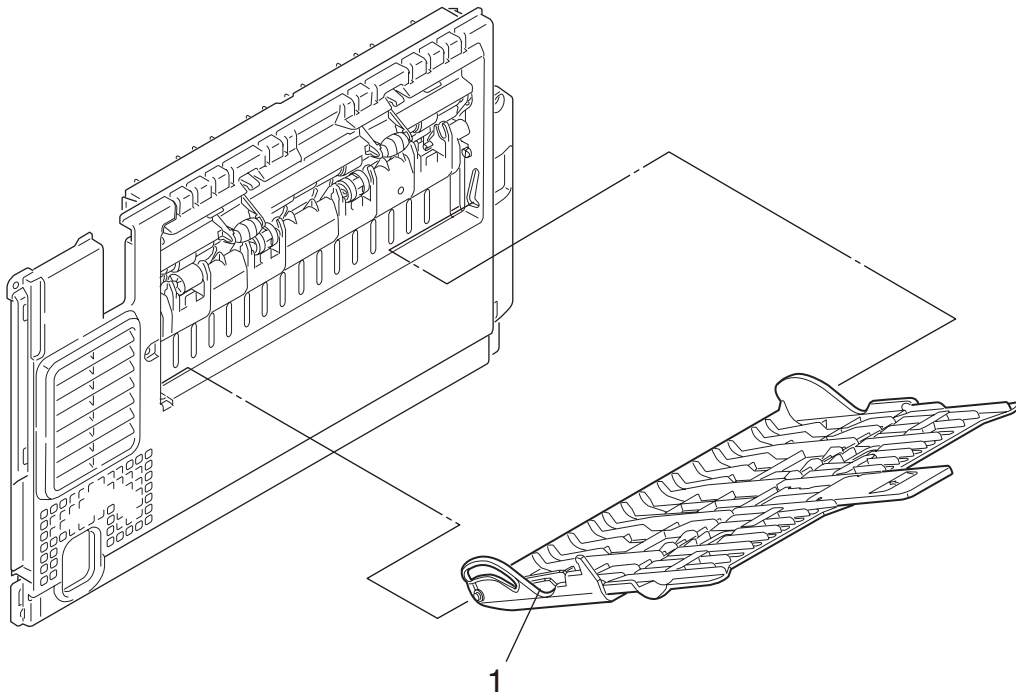
No.	Part No.	Part Name	Q'ty /Unit	Recommended Q'ty/Year			Remarks
				per	per	per	
				500	1000	2000	
1	44261403	Clutch-3.5	1	1	2	4	Hop-CL
2	44261404	Clutch-4.5	1	1	2	4	Reg-CL
3		CONN Cord-AMP6P-AMP3P-AMP3P	1	1	2	4	PU-Hop. SNS
4		CONN Cord-AMP7P-AMP3P-AMP3P	1	1	2	4	PU-Reg. SNS
5	44483301	Roller-Assy-Hopping	1	1	2	4	
6	44483601	Roller-Assy-PickUp	1	1	2	4	
7	44261406	Clutch-3.5	1	1	2	4	MTP-CL (Same part of ADF-Assy No.11)

Cover-Top-Assy



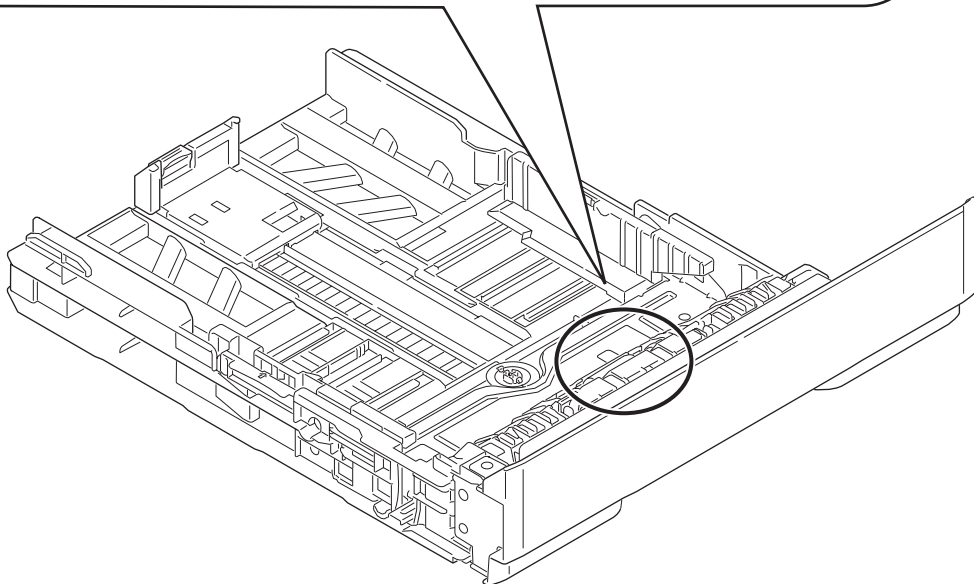
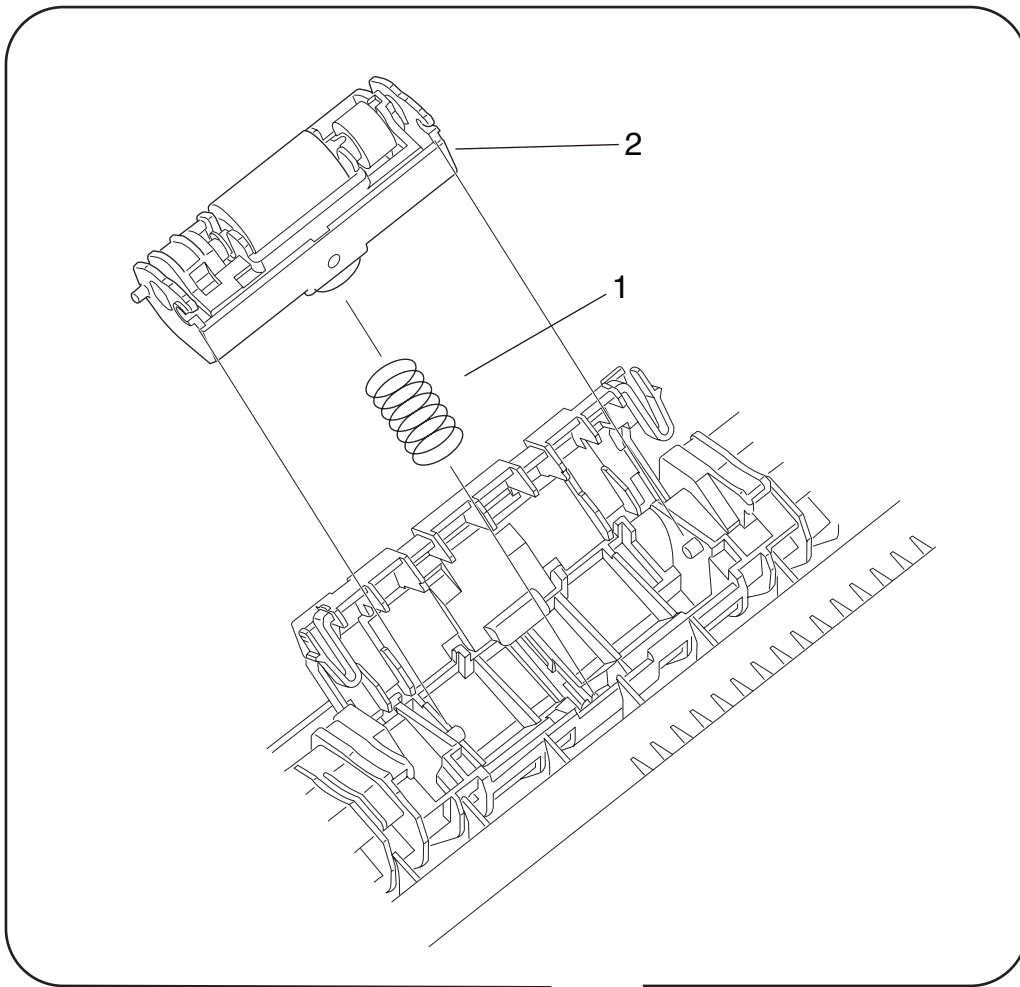
No.	Part No.	Part Name	Q'ty /Unit	Recommended Q'ty/Year			Remarks
				per	per	per	
				500	1000	2000	
1	44498001	Cable-Head-Assy	1	1	2	4	
2	44366601	Frame-Head-L	1	1	2	4	
3	44366701	Frame-Head-R	1	1	2	4	
4		Lever-Lock-Top	1	1	2	4	

Cover-Assy.-Rear



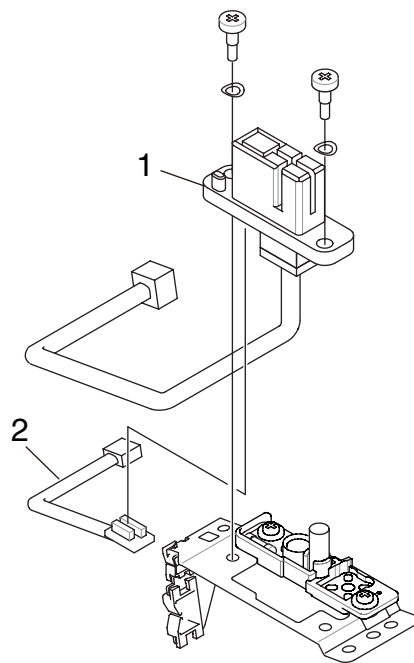
No.	Part No.	Part Name	Q'ty /Unit	Recommended Q'ty/Year			Remarks
				per	per	per	
				500	1000	2000	
1		Cover-Assy.-Stacker	1	1	2	4	

Case-Cassette-Assy.-750



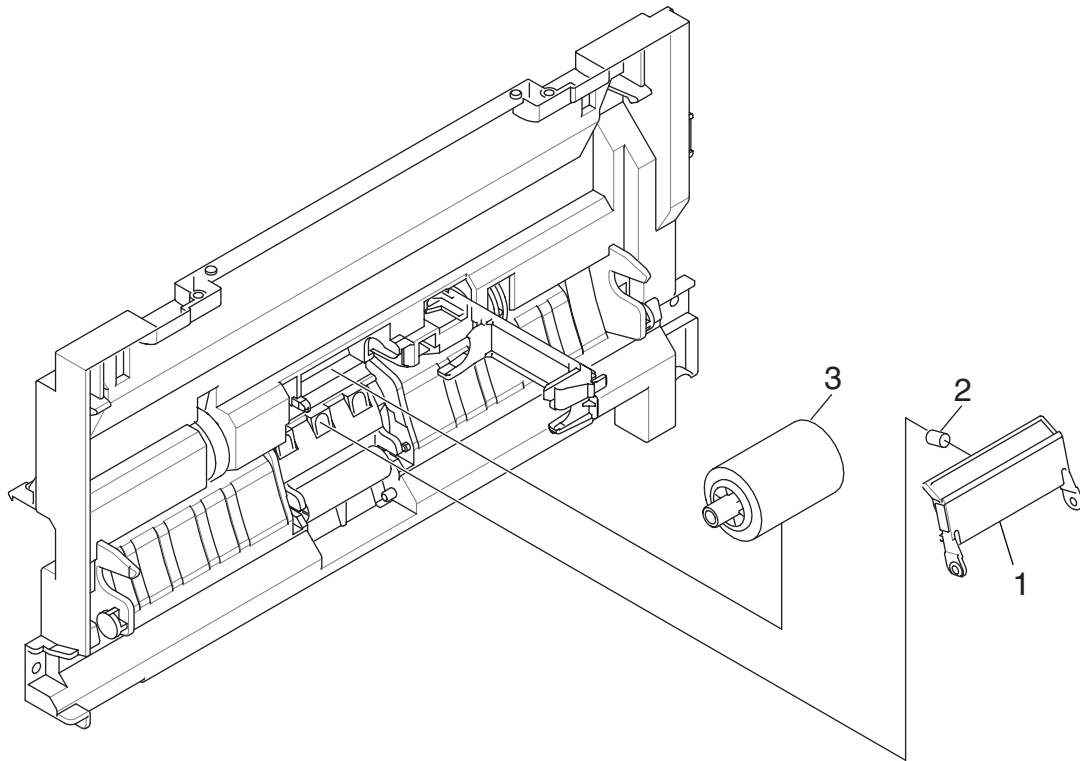
No.	Part No.	Part Name	Q'ty /Unit	Recommended Q'ty/Year			Remarks
				per	per	per	
				500	1000	2000	
1	43963101	Spring-Retard	1	1	2	4	
2	44384701	Frame Assy.-Retard	1	1	2	4	

FG-Assy-Fuser



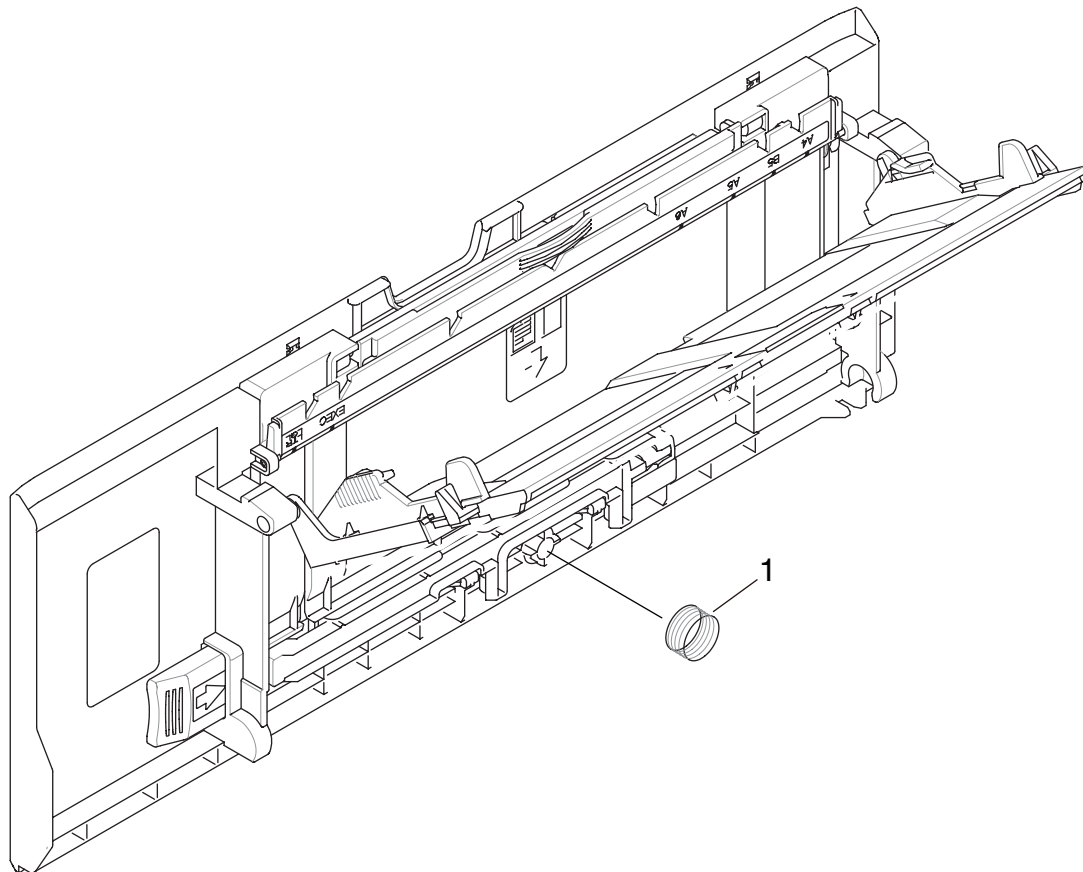
No.	Part No.	Part Name	Q'ty /Unit	Recommended Q'ty/Year			Remarks
				per	per	per	
				500	1000	2000	
1		CONN Cord-Drawer-JST4P	1	1	2	4	PU-Fuser
2		CONN Cord-JST8P-JST5PJST4P	1	1	2	4	PU-Fuser

Frame Assy.-MPT



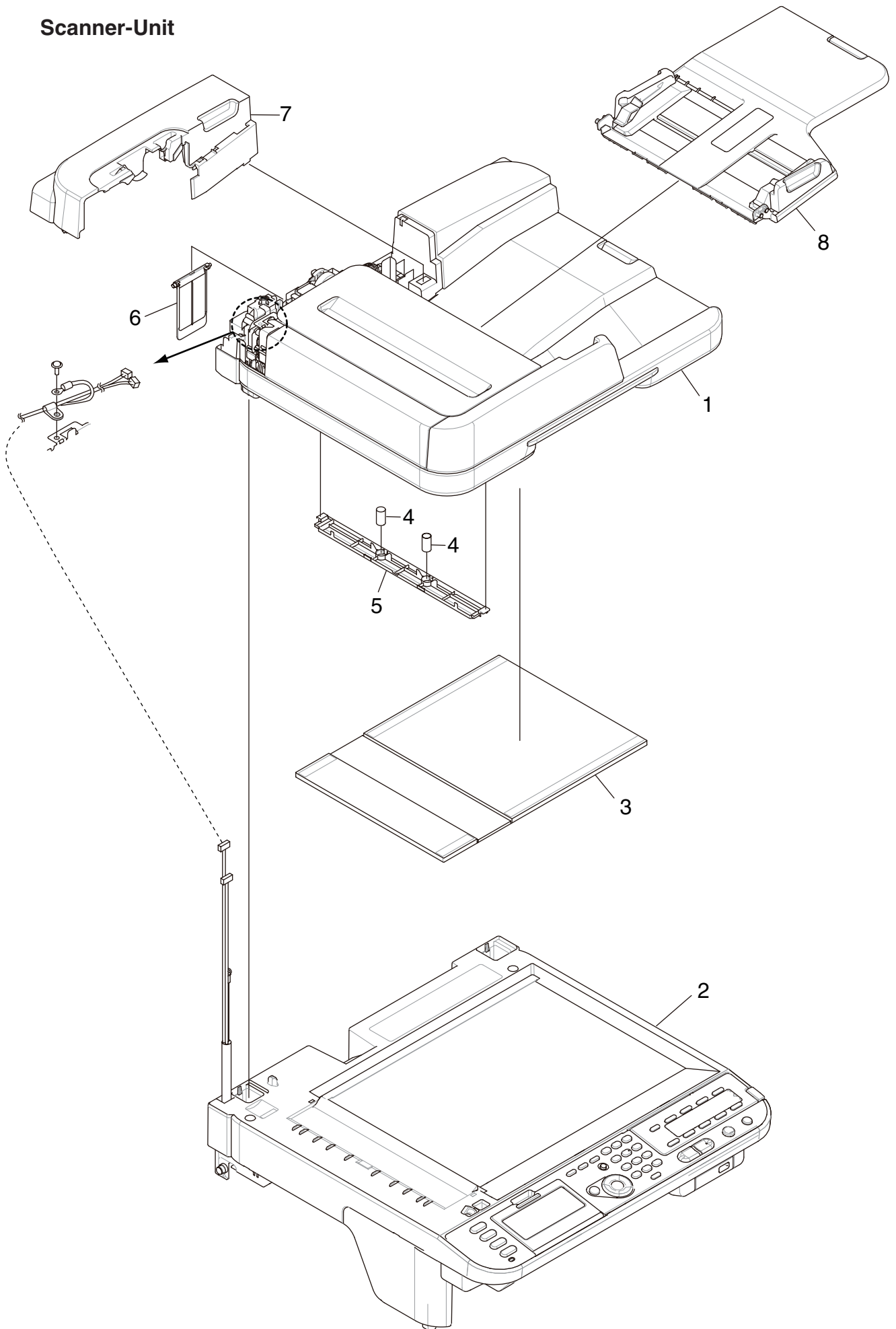
No.	Part No.	Part Name	Q'ty /Unit	Recommended Q'ty/Year			Remarks
				per	per	per	
				500	1000	2000	
1	43922402	Frame Assy.-Separator	1	2	4	8	
2	44009301	Spring-Separator	1	1	2	4	
3	43922301	Roller-Assy-MPT	1	1	2	4	

Cover Assy.-MPT



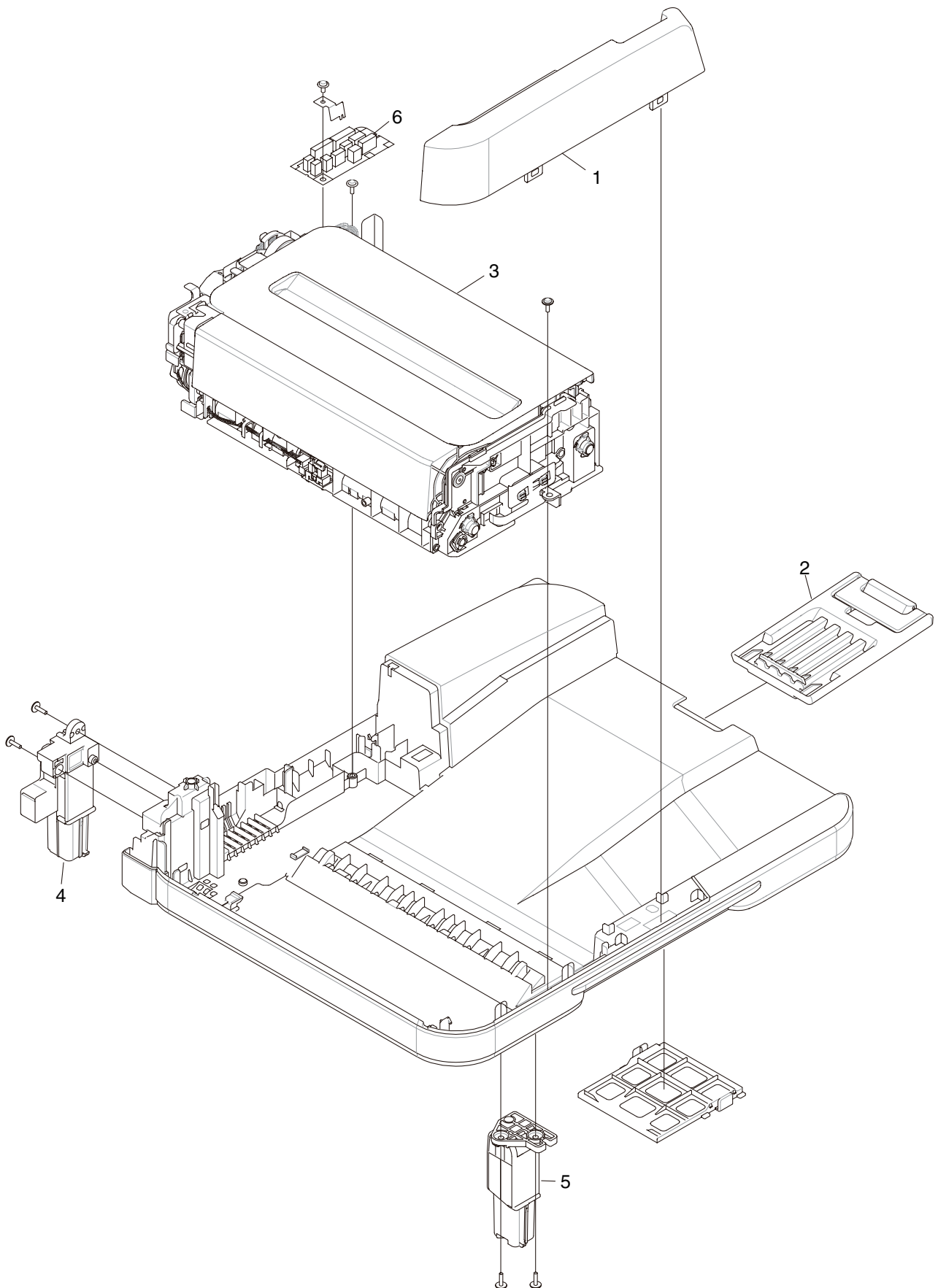
No.	Part No.	Part Name	Q'ty /Unit	Recommended Q'ty/Year			Remarks
				per	per	per	
				500	1000	2000	
1	42073501	Spring-Hopper	1	1	2	4	

Scanner-Unit



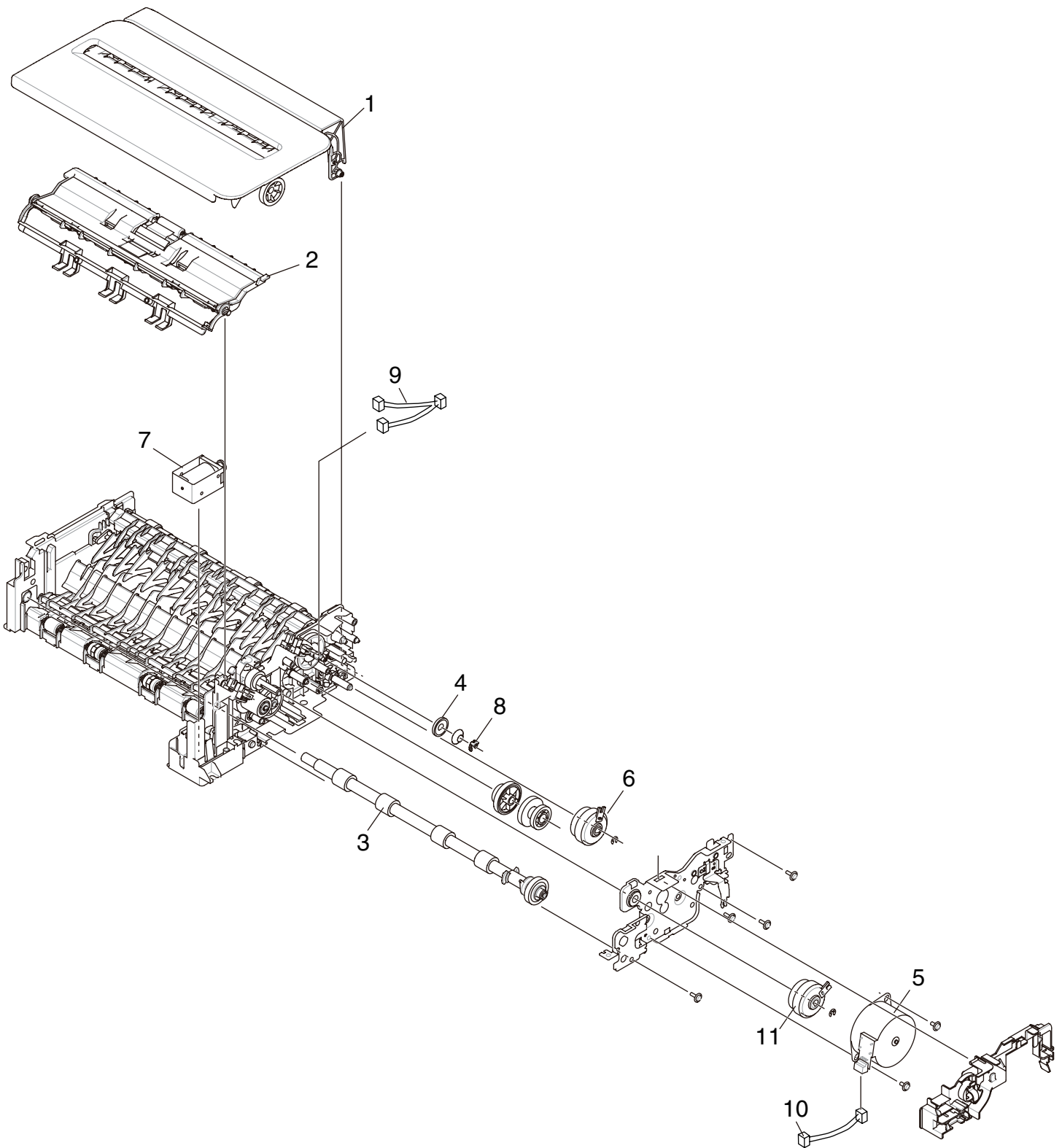
No.	Part No.	Part Name	Q'ty /Unit	Recommended Q'ty/Year			Remarks
				per 500	per 1000	per 2000	
1	45013011	ADF-Maintenance-Unit	1	1	2	4	All
1	45654011	ADF-Mainte-Unit_MC562/362/342/352/332	1	1	2	4	All
2	45654023	Flatbed-Mainte-Unit_MC362/362w_ODA/AOS	1	1	2	4	MC362/362w ODA/AOS (AirPrint-enabled)
2	45654025	Flatbed-Mainte-Unit_MC562/562w_ODA/AOS	1	1	2	4	MC562/562w ODA/AOS (AirPrint-enabled)
3	44659501	Sheet-Document	1	1	2	4	
4	44538001	Spring-PW-ADF	2	1	2	4	
5	44659302	Paper-Weight-Assy	1	1	2	4	
6	44540201	Cover-Flap	1	1	2	4	
7		Cover-ADF-R-Assy	1	1	2	4	
8	44538701	Tray-Assy-Document	1	1	2	4	

ADF-Unit



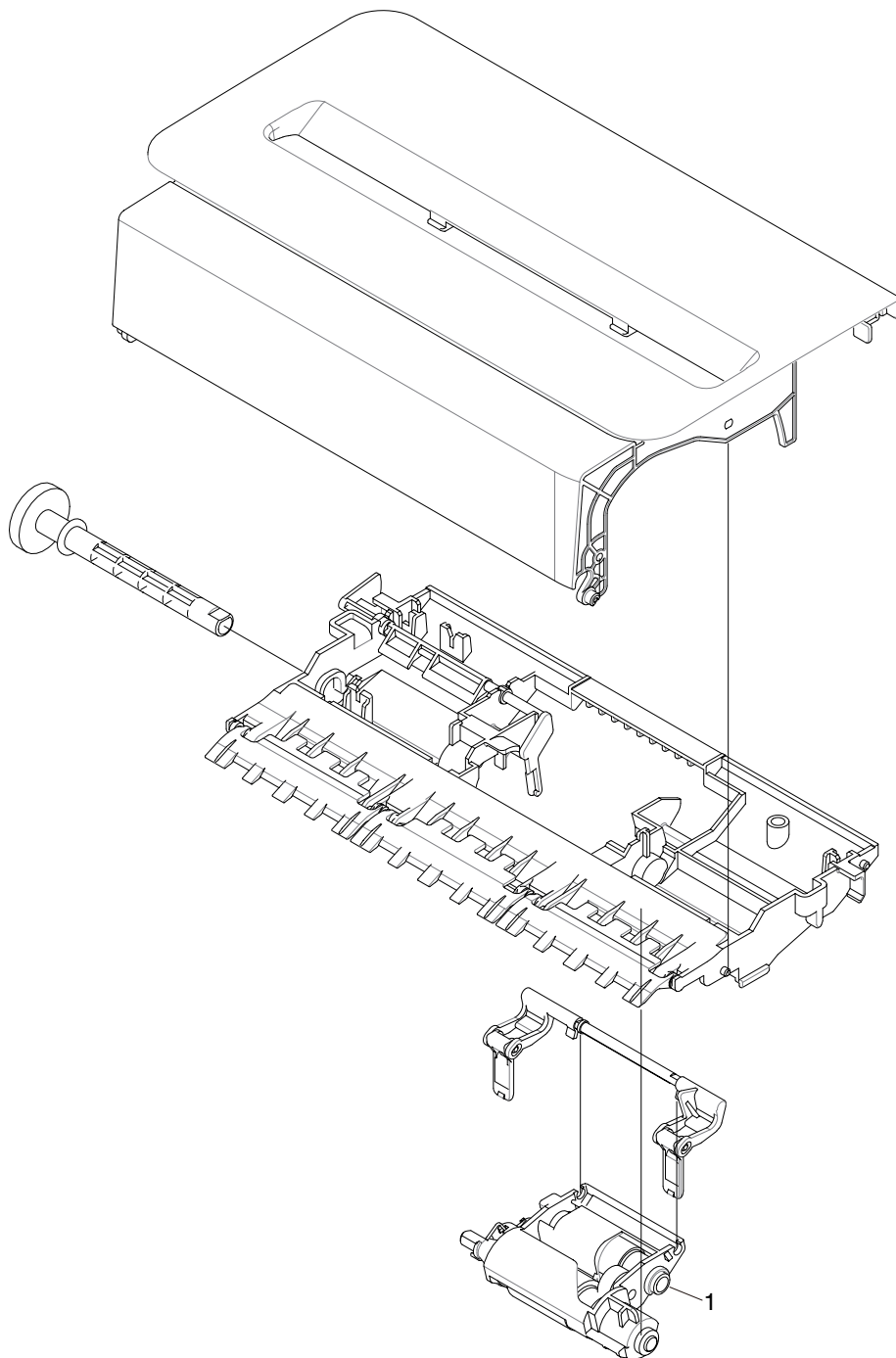
No.	Part No.	Part Name	Q'ty /Unit	Recommended Q'ty/Year			Remarks
				per	per	per	
				500	1000	2000	
1		Cover-ADF-F	1	1	2	4	
2	44529101	Guide-Assy-Exit-Sub	1	1	2	4	
3	44939201	ADF-Assy	1	1	2	4	
4		Hinge-Assy-L	1	1	2	4	
5		Hinge-Assy-R	1	1	2	4	
6	44604601	OR-ADF Board(FX750)	1	2	4	8	ADF Board

ADF-Assy



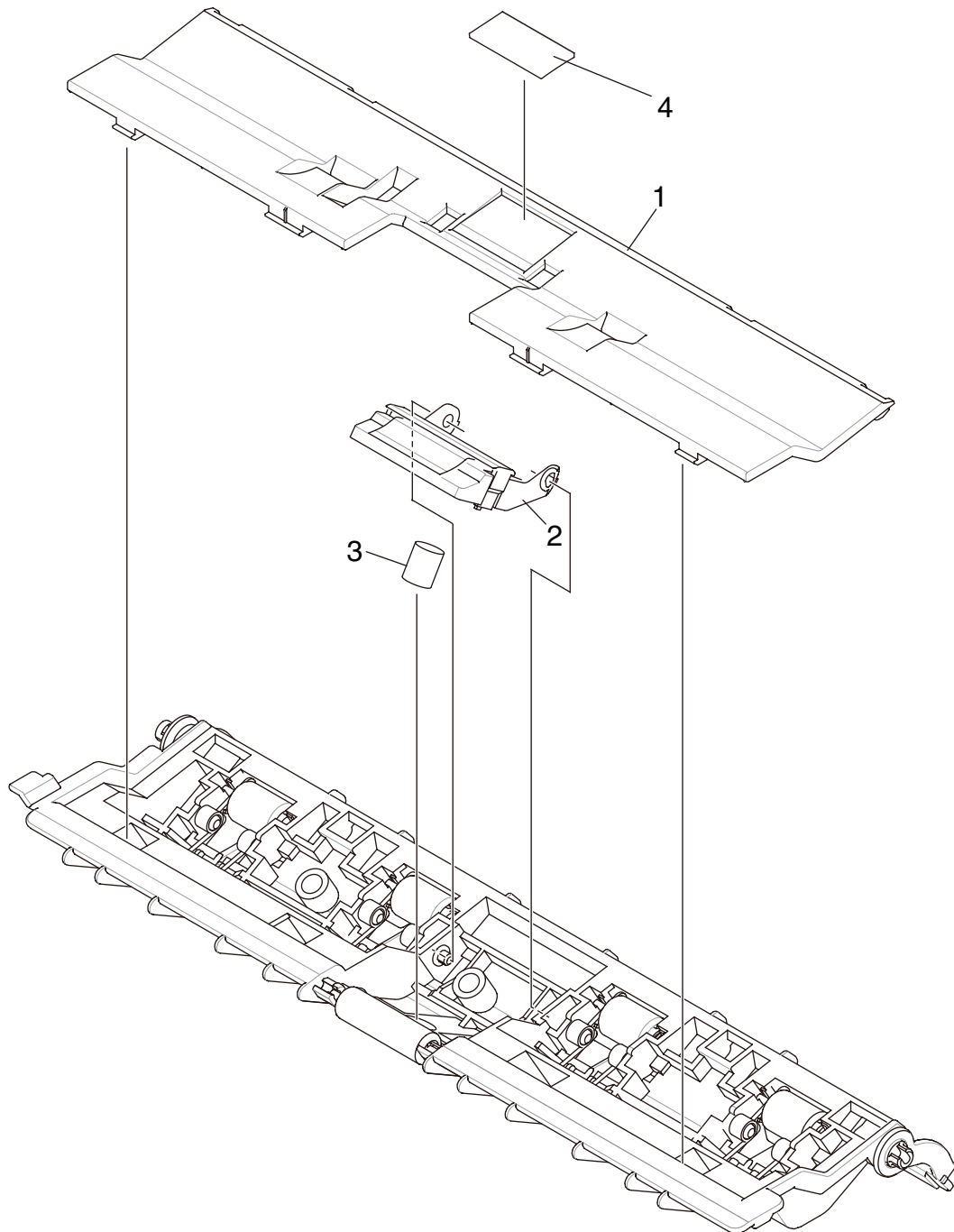
No.	Part No.	Part Name	Q'ty /Unit	Recommended Q'ty/Year			Remarks
				per	per	per	
				500	1000	2000	
1		Cover-Assy-Top-ADF	1	1	2	4	
2	44532402	Guide-Assy-A	1	1	2	4	
3	44534901	Roller-Assy-Eject-ADF	1	1	2	4	
4	44531701	Washer-A	1	1	2	4	
5	43075101	Motor_Pulse_Belt	1	1	2	4	ADF-Motor
6	44261401	Clutch	1	1	2	4	ADF-Reg-CL
7	42058303	Solenoid	1	1	2	4	ADF-Sol
8	44531801	Retainer-4	1	1	2	4	
9		CONN Cord-AMP3P-AMP3P-AMP6P	1	1	2	4	ADF-Cover/Set SNS
10		CONN Cord-AMP4P-AMP4P	1	1	2	4	ADF-Motor
11	44261406	Clutch-3.5	1	1	2	4	ADF-Hop-CL (Same part of Front Assy.-Hop/Reg No.7)

Cover-Assy-Top-ADF



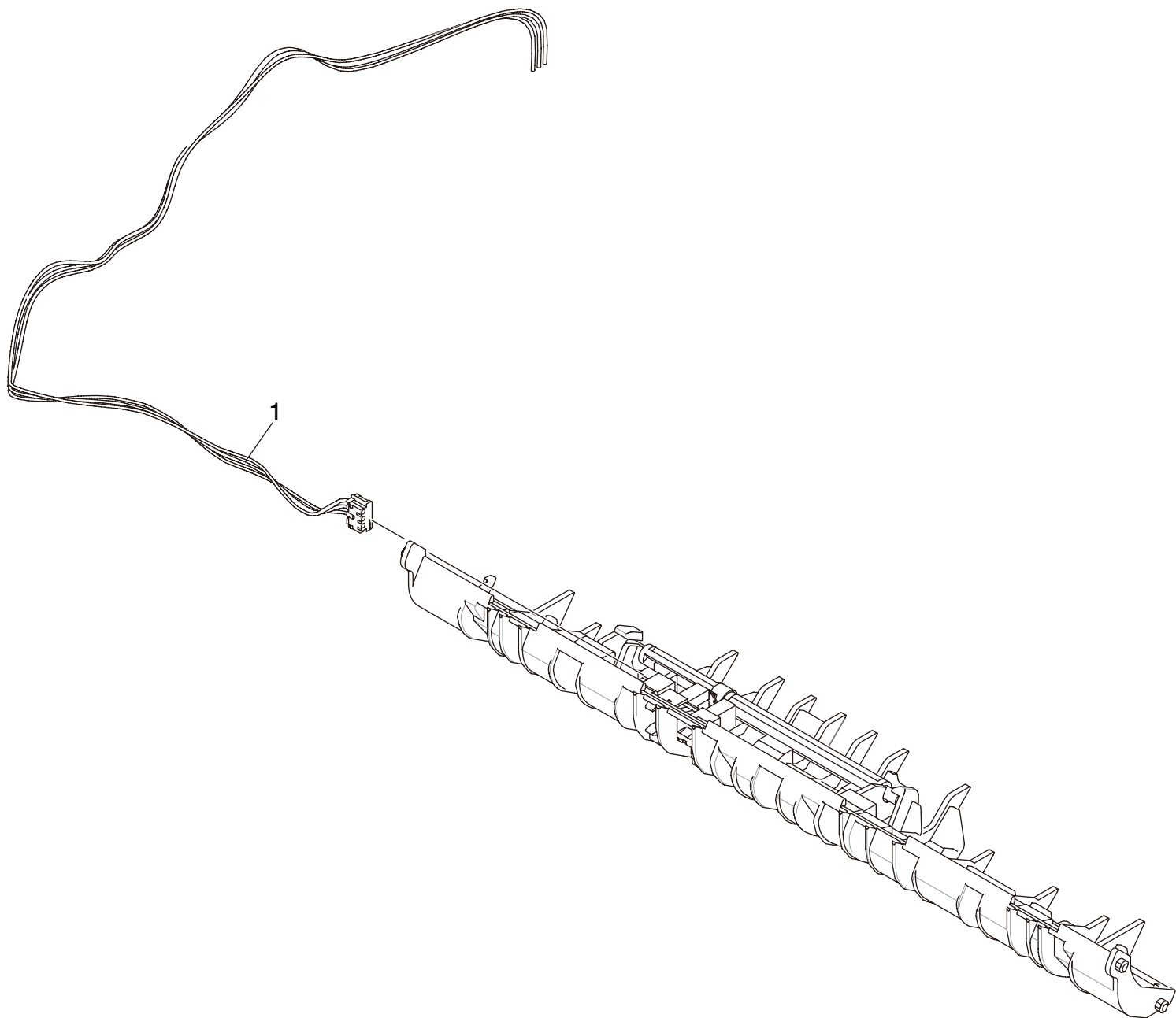
No.	Part No.	Part Name	Q'ty /Unit	Recommended Q'ty/Year			Remarks
				per	per	per	
				500	1000	2000	
1	44912501	Frame-Assy-Hopping-ADF	1	2	4	8	

Guide-Assy-A



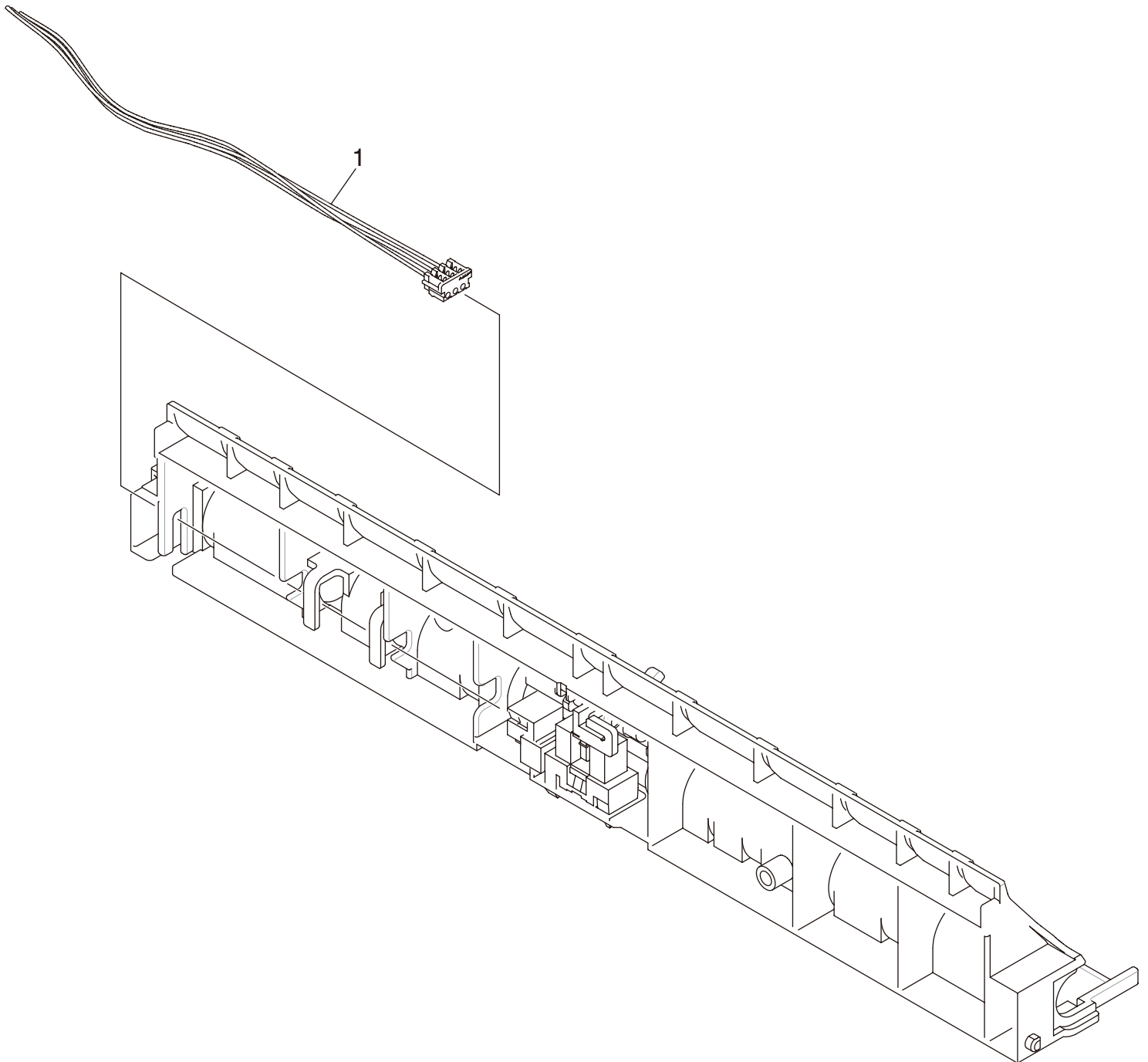
No.	Part No.	Part Name	Q'ty /Unit	Recommended Q'ty/Year			Remarks
				per	per	per	
				500	1000	2000	
1	44532601	Guide-A-Sub	1	1	2	4	
2	44532702	Frame-Assy-Separator	1	2	4	8	
3	44533001	Spring-Separator	1	1	2	4	
4		Rubber-Friction	1	2	4	8	

Guide-Assy-C



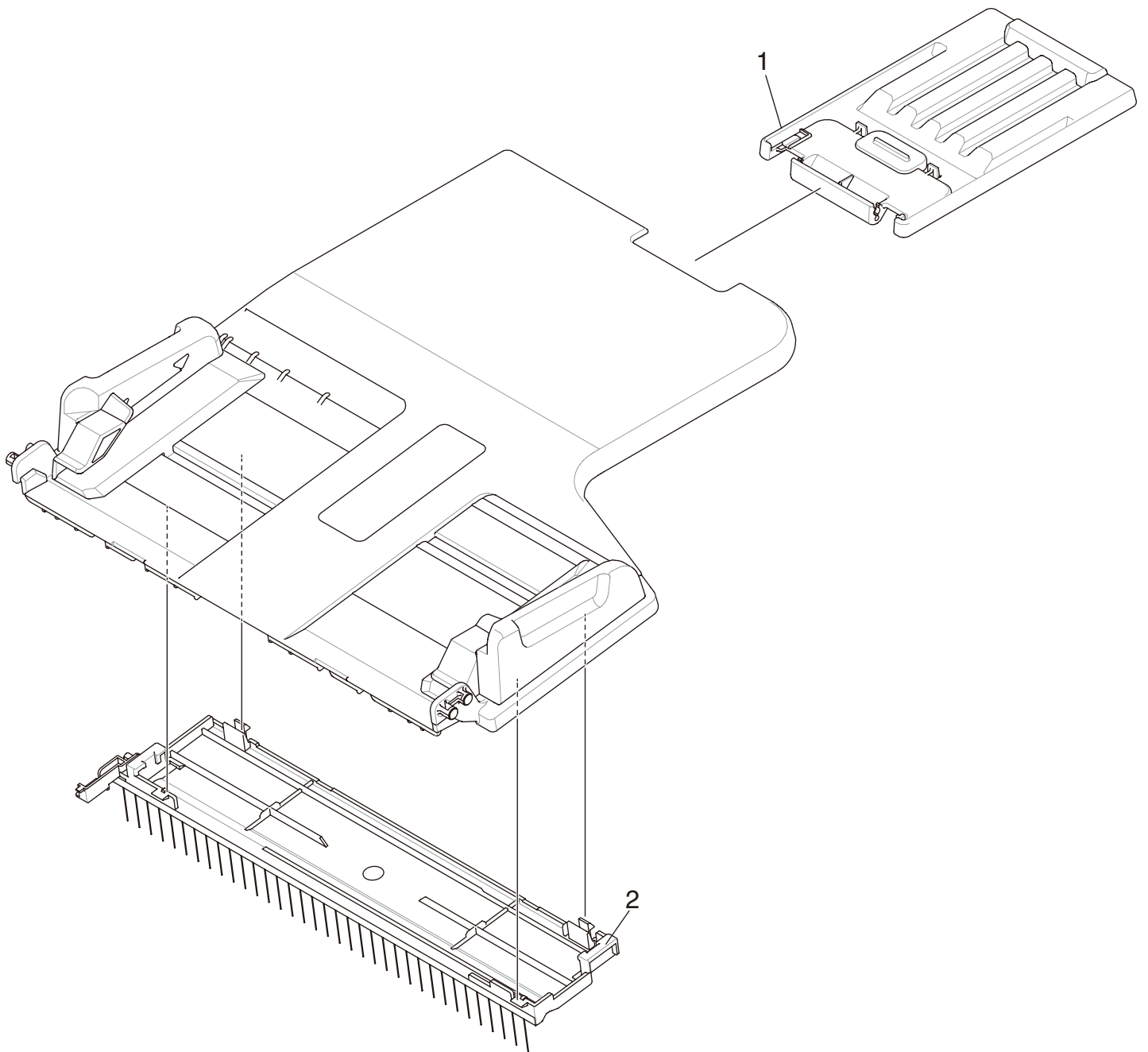
No.	Part No.	Part Name	Q'ty /Unit	Recommended Q'ty/Year			Remarks
				per	per	per	
				500	1000	2000	
1		CONN Cord-AMP3P-JST3P	1	1	2	4	ADF-Rev SNS

Guide-Assy-D



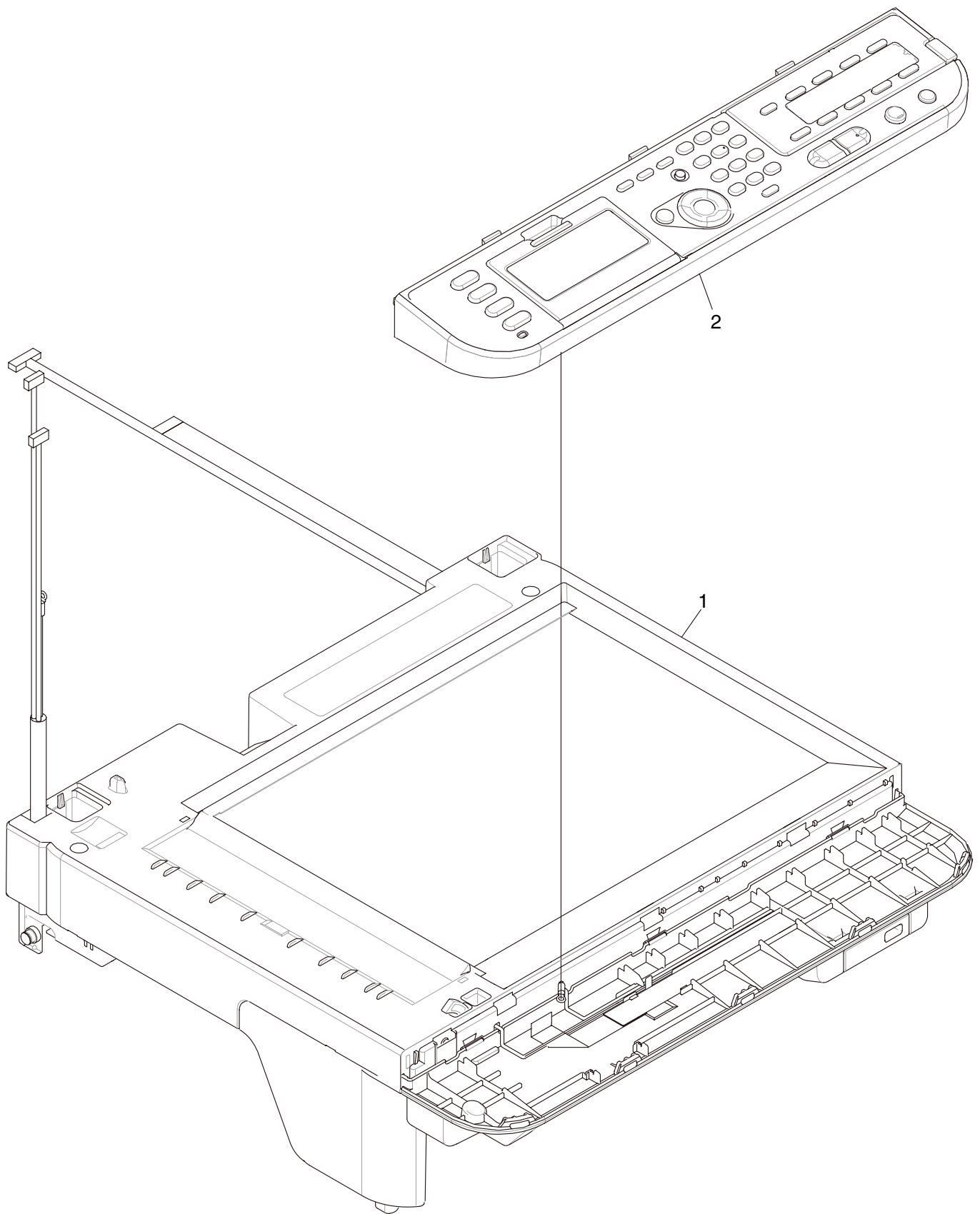
No.	Part No.	Part Name	Q'ty /Unit	Recommended Q'ty/Year			Remarks
				per	per	per	
				500	1000	2000	
1		CONN Cord-AMP3P-AMP3P	1	1	2	4	ADF-Reg SNS

Tray-Assy-Document



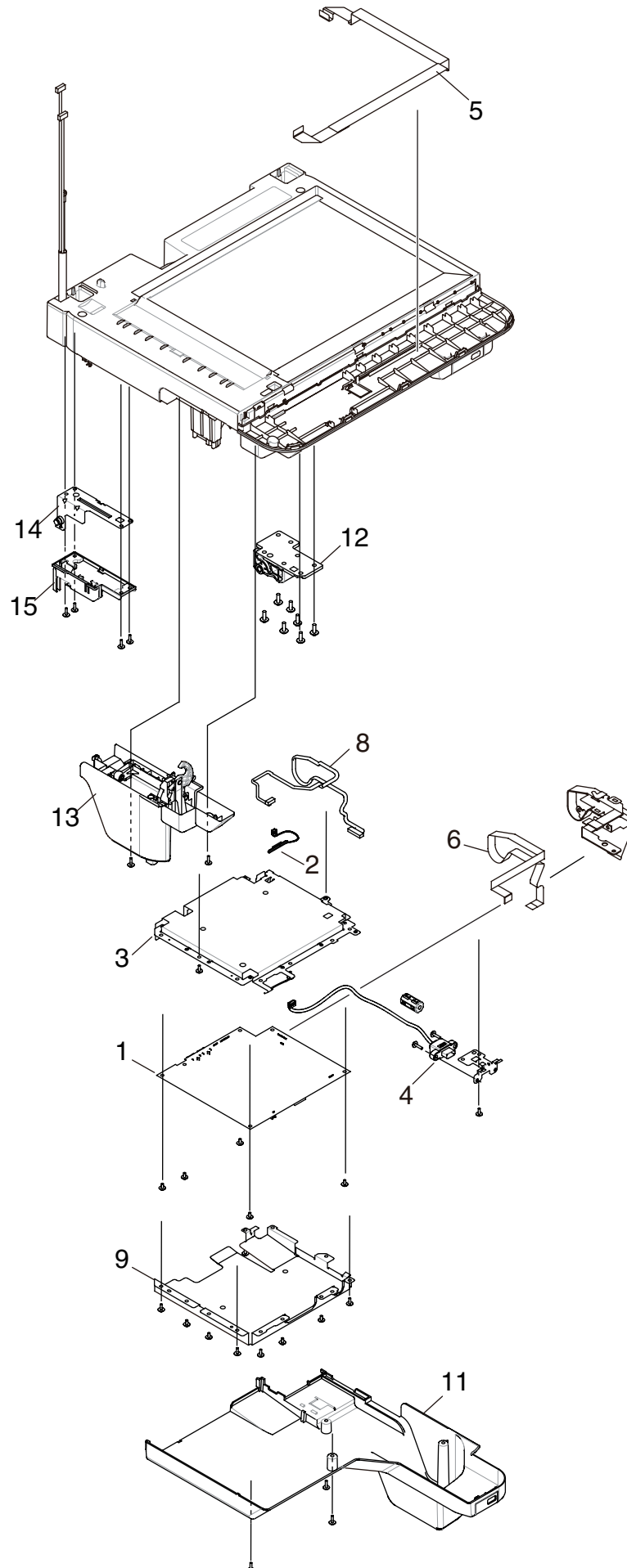
No.	Part No.	Part Name	Q'ty /Unit	Recommended Q'ty/Year			Remarks
				per	per	per	
				500	1000	2000	
1	44529201	Tray-Document-Sub	1	1	2	4	
2		Cover-Tray-Assy	1	1	2	4	

Flatbed-Unit



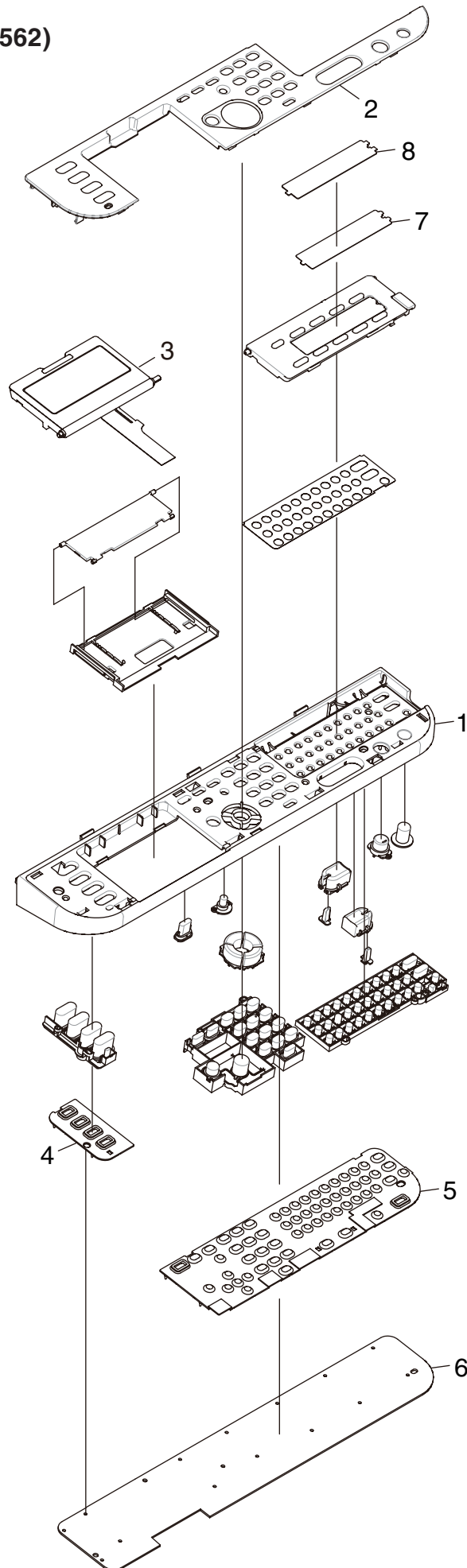
No.	Part No.	Part Name	Q'ty /Unit	Recommended Q'ty/Year			Remarks
				per	per	per	
				500	1000	2000	
1	45654033	Frame-Assy-FB-Mainte_MC362/362w_ODA/AOS	1	1	2	4	MC362/362w ODA/AOS (AirPrint-enabled)
1	45654035	Frame-Assy-FB-Mainte_MC562/562w_ODA/AOS	1	1	2	4	MC562/562w ODA/AOS (AirPrint-enabled)
2		Frame-Assy-OP(MC362)(Overseas)	1	1	2	4	MC362 Oversea
2		Frame-Assy-OP(MC562)(Overseas)	1	1	2	4	MC562 Oversea

Frame-Assy-FB



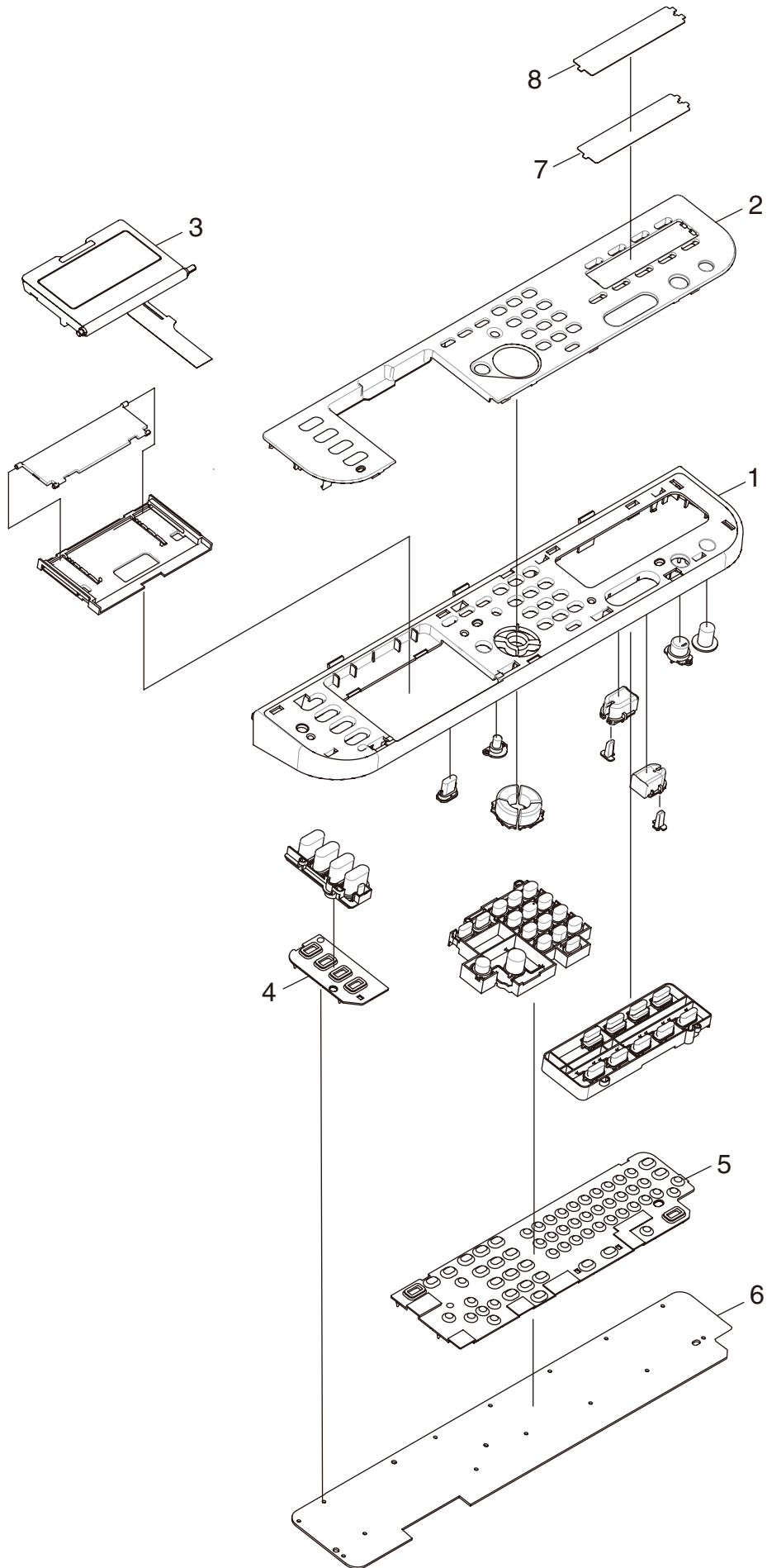
No.	Part No.	Part Name	Q'ty /Unit	Recommended Q'ty/Year			Remarks
				per 500	per 1000	per 2000	
1	44866309	Board-MHE-9 Mainte for MC562/362_ODA/AOS	1	2	4	8	
1	45527609	Board-MHH-8 mainte for (ODA/AOS)	1	2	4	8	SU for ODA/AOS (AirPrint-enabled)
1		Board-MHH-10 mainte for w/o FAX	1	2	4	8	SU without FAX (AirPrint-enabled)
2		Speaker Assy.	1	1	2	4	
3		Plate-Board(SU)	1	1	2	4	
4		CONN Cord-USB	1	1	2	4	
5	56747107	20706FWR1.0-16-580	1	1	2	4	FFC(OPE-SU)
6	56747108	20706ASFBNCD0550-475	1	1	2	4	FFC(CU-SU)
8		CONN Cord-JST10P-JST10P	1	1	2	4	PWR-SU
9		Plate-Shield(SU)	1	1	2	4	
11		Cover-Bottom	1	1	2	4	
12		Cam-Hinge	1	1	2	4	
13		Cover-Assy-LF	1	1	2	4	
14		Plate-Hinge-L(Caulking)	1	1	2	4	
15		Cover-Hinge(L)	1	1	2	4	

Frame-Assy-OP(MC562)



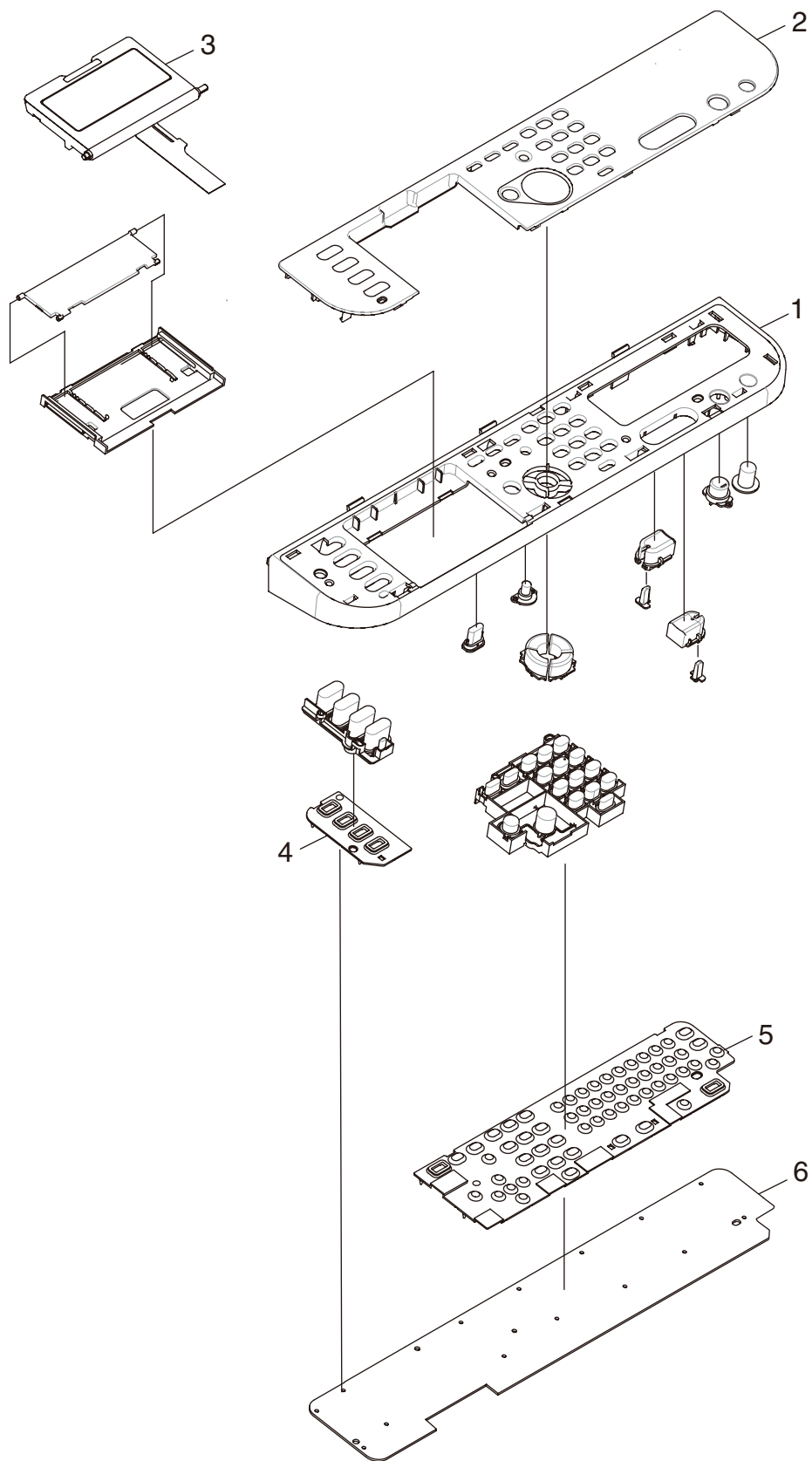
No.	Part No.	Part Name	Q'ty /Unit	Recommended Q'ty/Year			Remarks
				per 500	per 1000	per 2000	
1		Frame-OP-Panel(A)	1	1	2	4	MC562
2		Cover-OP-Panel(A)	1	1	2	4	MC562 Oversea
3	44596901	LCD-Assy	1	1	2	4	MC562/MC362/MC352/MC342/MC332
4	44565301	Rubber-Pad(L)	1	1	2	4	MC562/MC362/MC352/MC342/MC332
5	44565401	Rubber-Pad(R)	1	1	2	4	MC562/MC362/MC352/MC342/MC332
6	44604302	OR-OPE Board-2	1	2	4	8	MC562/MC362/MC352/MC342/MC332
7	44546001	Sheet-One-Touch	1	1	2	4	MC562/MC362/MC342
8	44546101	Flim-One-Touch	1	1	2	4	MC562/MC362/MC342

Frame-Assy-OP(MC362)



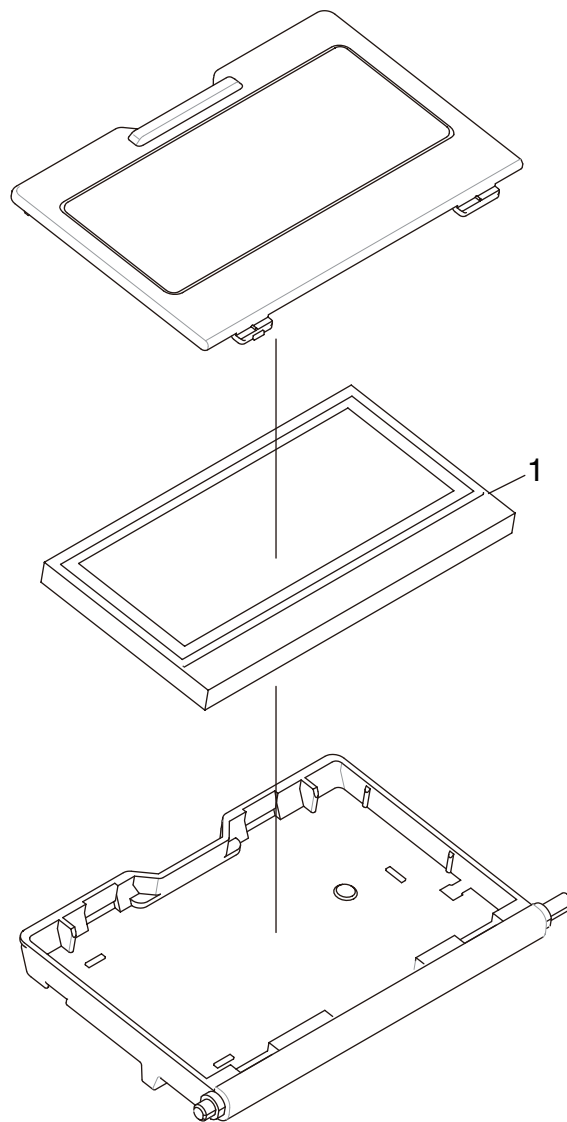
No.	Part No.	Part Name	Q'ty /Unit	Recommended Q'ty/Year			Remarks
				per 500	per 1000	per 2000	
1		Frame-OP-Panel(B)	1	1	2	4	MC362/MC352/MC342/MC332
2		Cover-OP-Panel(B)	1	1	2	4	MC362 Oversea
3	44596901	LCD-Assy	1	1	2	4	MC562/MC362/MC352/MC342/MC332
4		Rubber-Pad(L)	1	1	2	4	MC562/MC362/MC352/MC342/MC332
5		Rubber-Pad(R)	1	1	2	4	MC562/MC362/MC352/MC342/MC332
6	44604302	OR-OPE Board-2	1	2	4	8	MC562/MC362/MC352/MC342/MC332
7	44546001	Sheet-One-Touch	1	1	2	4	MC562/MC362/MC342
8	44546101	Flim-One-Touch	1	1	2	4	MC562/MC362/MC342

Frame-Assy-OP(MC352)



No.	Part No.	Part Name	Q'ty /Unit	Recommended Q'ty/Year			Remarks
				per	per	per	
				500	1000	2000	
1		Frame-OP-Panel(B)	1	1	2	4	MC362/MC352/MC342/MC332
3	44596901	LCD-Assy	1	1	2	4	MC562/MC362/MC352/MC342/MC332
4		Rubber-Pad(L)	1	1	2	4	MC562/MC362/MC352/MC342/MC332
5		Rubber-Pad(R)	1	1	2	4	MC562/MC362/MC352/MC342/MC332
6	44604302	OR-OPE Board-2	1	2	4	8	MC562/MC362/MC352/MC342/MC332

LCD-Assy



No.	Part No.	Part Name	Q'ty /Unit	Recommended Q'ty/Year			Remarks
				per	per	per	
				500	1000	2000	
1		BTG-320128C-FBWAGGA0	1	2	4	8	