

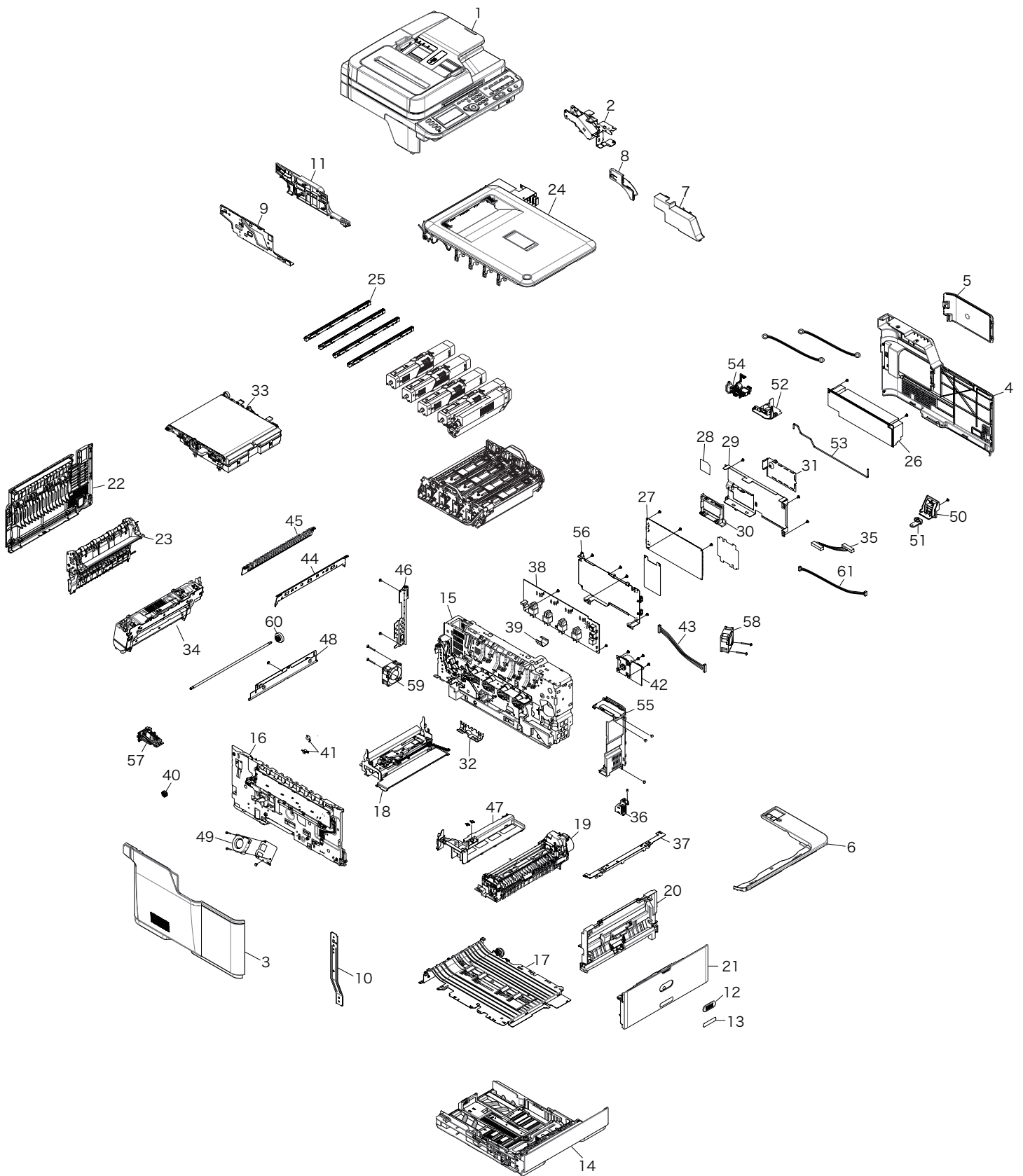
MC361/MC561MFP

Spare Parts

Illustration Manual

030712B

MFP-Unit

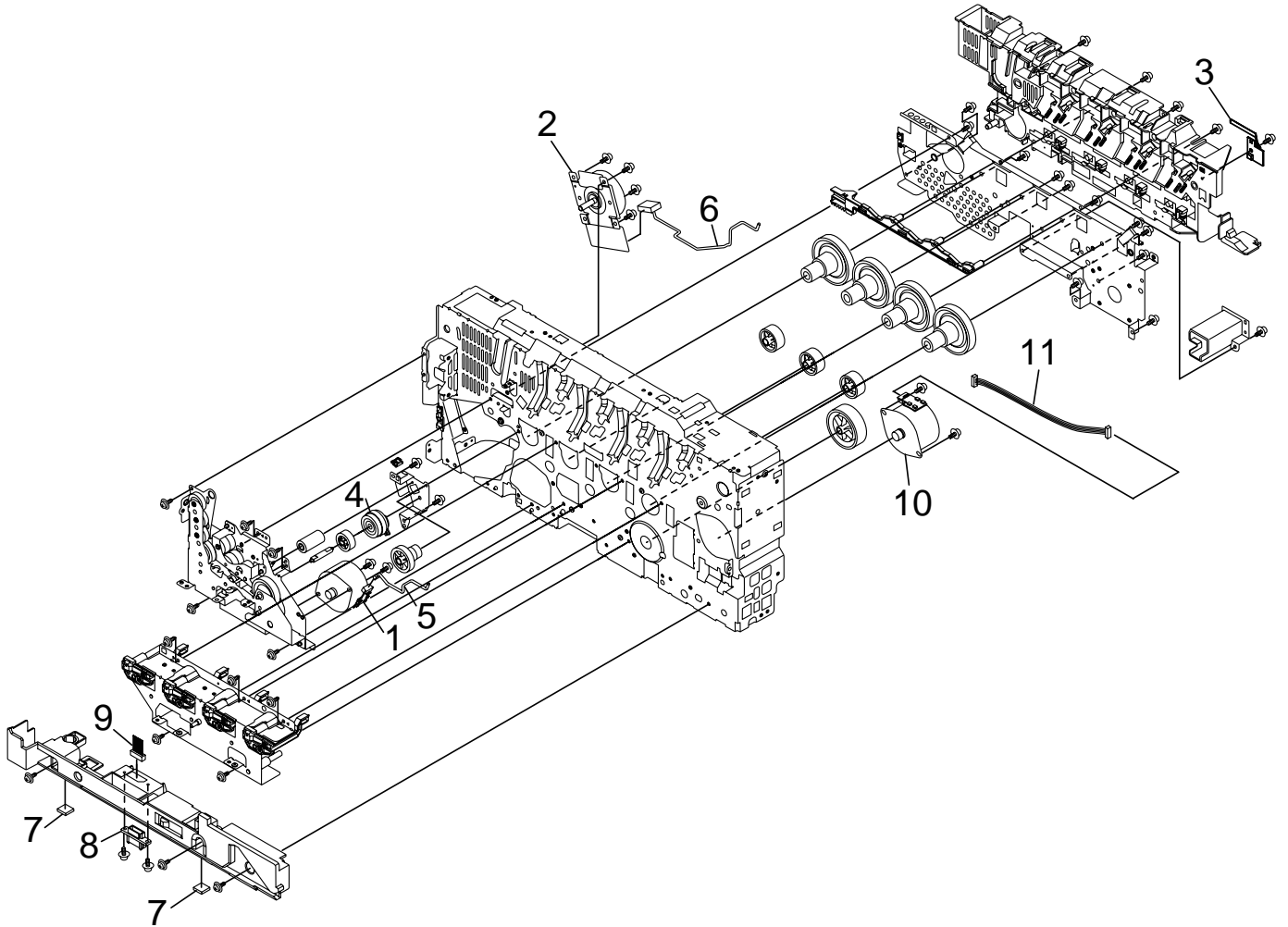


No.	Part No.	Part Name	Qty /Unit	Recommended Qty/Year			Remarks
				per 500	per 1000	per 2000	
1		Scanner-Unit(MC561dn)	1	1	2	4	MC561 Oversea
1		Scanner-Unit(MC361dn)	1	1	2	4	MC361 Oversea
2	44597101	Hinge-Assy-FB	1	1	2	4	
3		Cover-Side(L)	1	1	2	4	
4		Cover-Side(R)	1	1	2	4	
5		Cover-IF	1	1	2	4	
6		Cover-Front	1	1	2	4	
7		Cover-Hinge(R)	1	1	2	4	
8		Cover-Hinge(RB)	1	1	2	4	
9		Plate-Support-Stay-L	1	1	2	4	
10		Plate-Support-R	1	1	2	4	
11		Cover-Stay-L	1	1	2	4	
12		Plate-Logo	1	1	2	4	
13		Plate-name(MC561)	1	1	2	4	MC561 Oversea
13		Plate-name(MC361)	1	1	2	4	MC361 Oversea
13	43954018	Plate-name(MC351)	1	1	2	4	MC351 Oversea
13	43954023	Plate-name(MC561dn)	1	1	2	4	MC561 JPN
13	43954024	Plate-name(MC361dn)	1	1	2	4	MC361 JPN
14	44454101	Case-Cassette-Assy.-750	1	1	2	4	
15		Side-R Assy	1	1	2	4	
16		Side-L Assy.	1	1	2	4	
17		Base-Assy	1	1	2	4	
18	44452601	Sensor Assy.-Regist	1	1	2	4	
19	44452701	Front Assy.-Hop/Reg	1	1	2	4	
20	44359201	Frame Assy.-MPT	1	1	2	4	
21		Cover Assy.-MPT	1	1	2	4	
22		Cover-Assy.-Rear	1	1	2	4	

No.	Part No.	Part Name	Qty /Unit	Recommended Qty/Year			Remarks
				per 500	per 1000	per 2000	
23	44364101	Eject-Assy.-H	1	1	2	4	MC561
23	44364102	Eject-Assy.-L	1	1	2	4	MC361/351
24		Cover-Top-Assy-H	1	1	2	4	MC561
24		Cover-Top-Assy-L	1	1	2	4	MC361/351
25	44317201	LED Head Unit-51TRA	4	2	4	8	600dpi
26	44149601	PWR unit-ACDC Switch(100V)	1	2	4	8	Power-Unit(Low-Voltage)
26	44149701	PWR unit-ACDC Switch(200V)	1	2	4	8	Power-Unit(Low-Voltage)
27	44424021	Board-CLP-4 Maintenance for MC561(ODA)	1	2	4	8	Board PUCU for MC561 ODA
27	44424031	Board-CLP-3 Maintenance for MC361(ODA)	1	2	4	8	Board PUCU for MC361 ODA
28		SD-4GB for equipment/maintenance	1	2	4	8	SD Card for MC561
29		Plate-Board-B	1	1	2	4	
30		Cover-Board	1	1	2	4	
31		Plate-Assy-Board-C	1	1	2	4	
32		Plate-Lockout	1	1	2	4	
33	44472201	Belt-Unit_PX750_ODA	1	35	70	140	ODA
34	44472601	Fuesr-Unit_PX750_ODA 120V	1	50	100	200	ODA
34	44472602	Fuesr-Unit_PX750_ODA 230V	1	50	100	200	ODA
35	44430501	CONN Cord-AMP16P-AMP16P	1	1	2	4	PWR unit-PU
36	44499201	Switch Assy.-InterLock	1	1	2	4	
37		Plate-Front	1	1	2	4	
38	44474001	OR-Board-ORZ	1	2	4	8	Board-ORZ(High Voltage)
39		SMCD-24-62BD(1.0)	1	1	2	4	ORZ-PU
40		Gear-Liftup-C	1	1	2	4	
41		Spring-Fuse	2	1	2	4	
42		Motor-DC(I)N	1	1	2	4	ID-Motor(Suction)
43	44430001	CONN Cord-JST9P-JST9P	1	1	2	4	ID Motor-PU
44		Plate-Beam-FU	1	1	2	4	

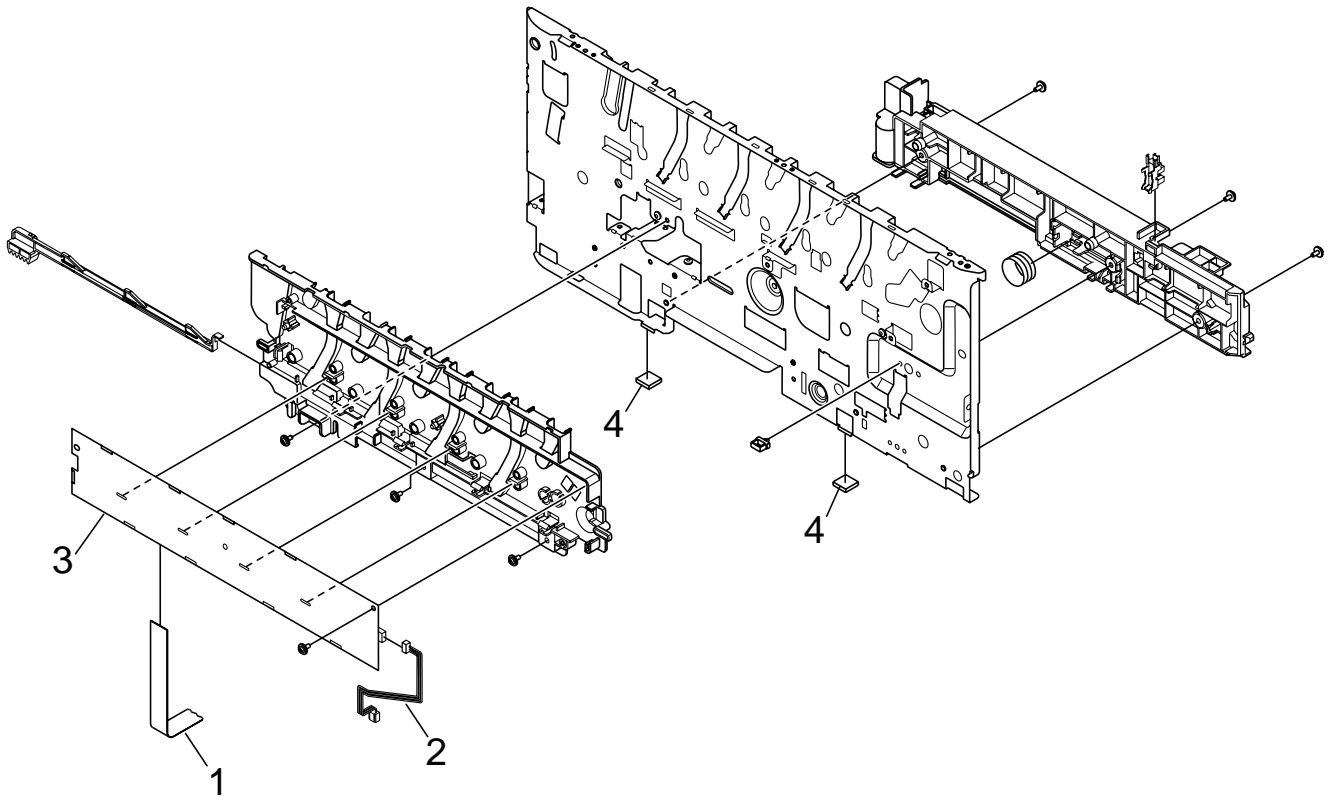
No.	Part No.	Part Name	Qty /Unit	Recommended Qty/Year			Remarks
				per 500	per 1000	per 2000	
45		Cover-Beam-FU	1	1	2	4	
46		Plate-Rear	1	1	2	4	
47		Cover-Code	1	1	2	4	
48		Plate-Bottom	1	1	2	4	
49	44353601	Motor-Fan(Blower)	1	1	2	4	ID-Fan
50		Frame-AC-Front	1	1	2	4	
51		Frame-Switch-Front	1	1	2	4	
52		Frame-AC-Switch	1	1	2	4	
53		Shaft-AC	1	1	2	4	
54	44426401	ACINLET-SW-JST3P	1	1	2	4	
55	44372001	Frame-MPT-Side	1	1	2	4	
56		Plate-Assy-Board-A	1	1	2	4	
57		FG-Assy-Fuser	1	1	2	4	
58	44352501	Motor-FAN(60x25)	1	1	2	4	Front-Fan
59	44352502	Motor-FAN(60x25)	1	1	2	4	Rear-Fan(Exhaust)
60	43922301	Roller-Assy-MPT	1	2	4	8	
60		Gear-Reduct-Liftup-B	1	1	2	4	
61	44430601	CONN Cord-JST3P-JST3P	1	1	2	4	

Side-R Assy



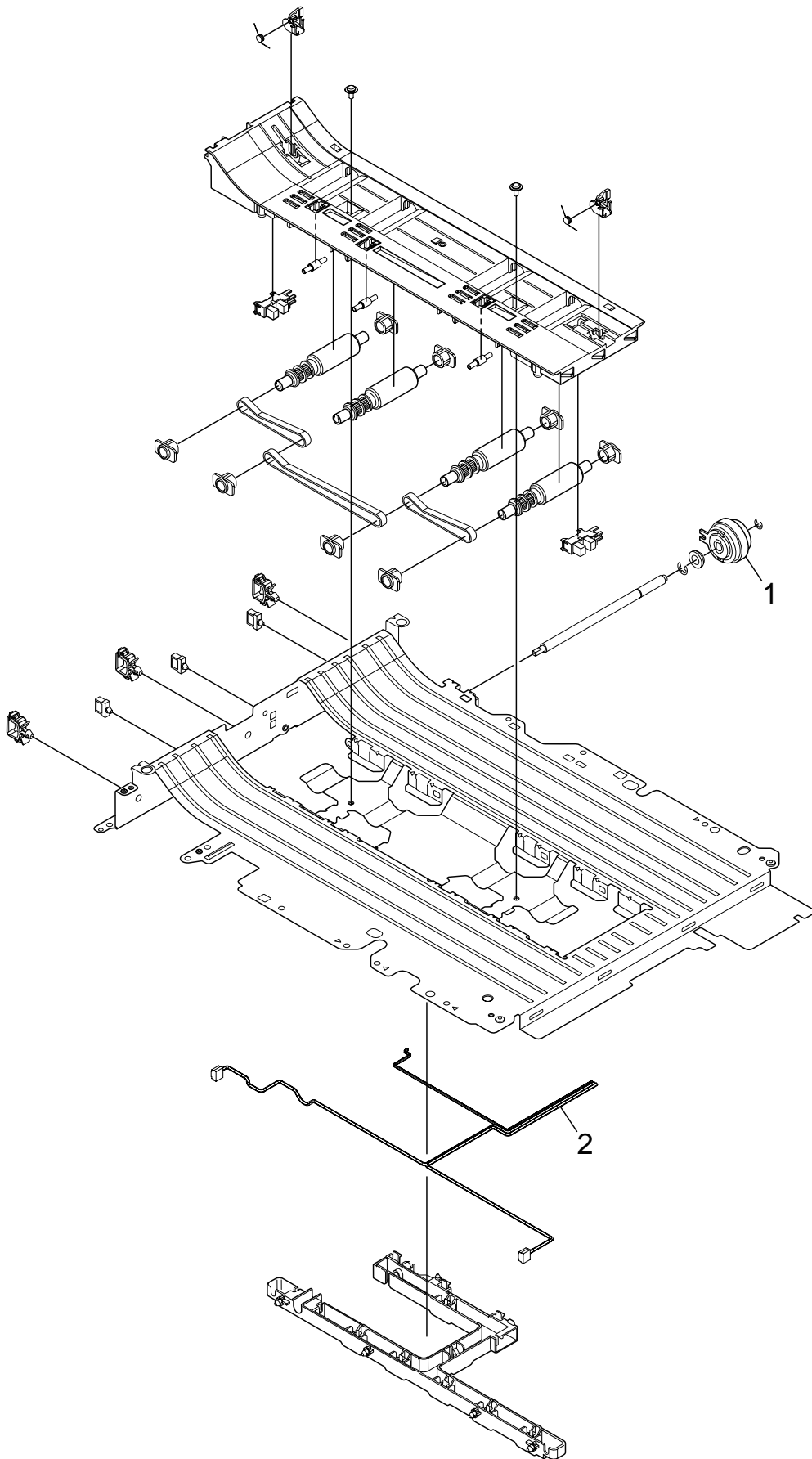
No.	Part No.	Part Name	Qty /Unit	Recommended Qty/Year			Remarks
				per 500	per 1000	per 2000	
1		Motor_Pulse_HOP	1	1	2	4	Belt-Motor
2	44349601	Motor-DC(F)	1	1	2	4	Fuser-Motor
3	44505801	OR-DOD	1	2	4	8	Board-DOD
4	44369901	Gear Assy.-CL35Z25	1	1	2	4	Up/Down-CL
5	44430102	CONN Cord-AMP4P-AMP4P	1	1	2	4	Belt Motor-PU
6	44430301	CONN Cord-JST8P-JST8P	1	1	2	4	Fuser Motor-PU
7		Rubber-Foot	2	1	2	4	
8		9715B-08Z02-G4C	1	1	2	4	
9		CONN Cord-AMP8P-AMP8P	1	1	2	4	
10	43073101	Motor_Pulse_HOP	1	1	2	4	
11	44430101	CONN Cord-AMP4P-AMP4P	1	1	2	4	

Side-L Assy



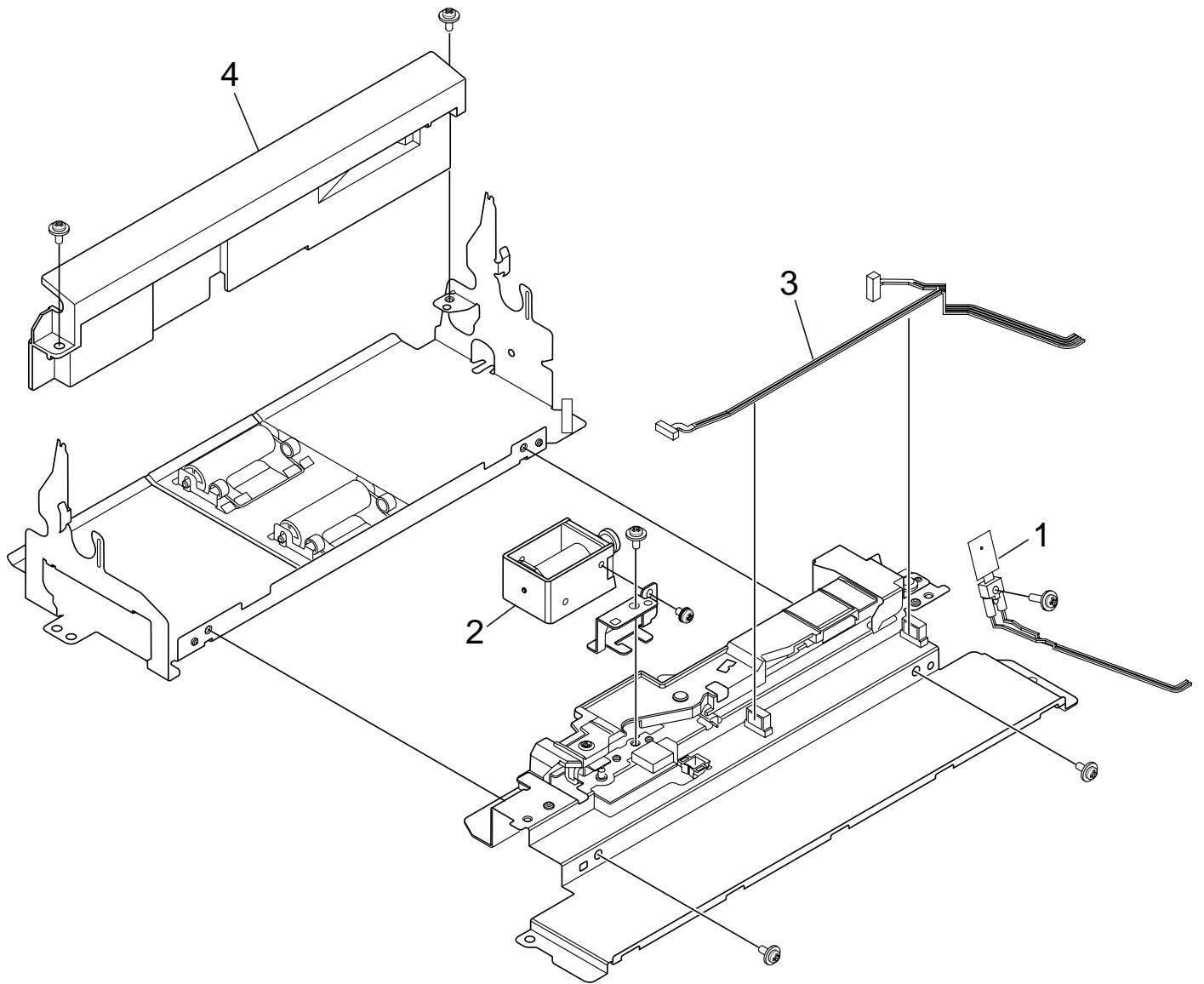
No.	Part No.	Part Name	Qty /Unit	Recommended Qty/Year			Remarks
				per 500	per 1000	per 2000	
1		SMCD-16-527BD(1.0)	1	1	2	4	ZHJ-PU
2		CONN Cord-AMP3P-AMP3P	1	1	2	4	ZHJ-Cass. SNS
3	44505601	OR-ZHJ	1	1	2	4	Board-ZHJ
4	42049901	Rubber-Foot	2	1	2	4	

Base Assy



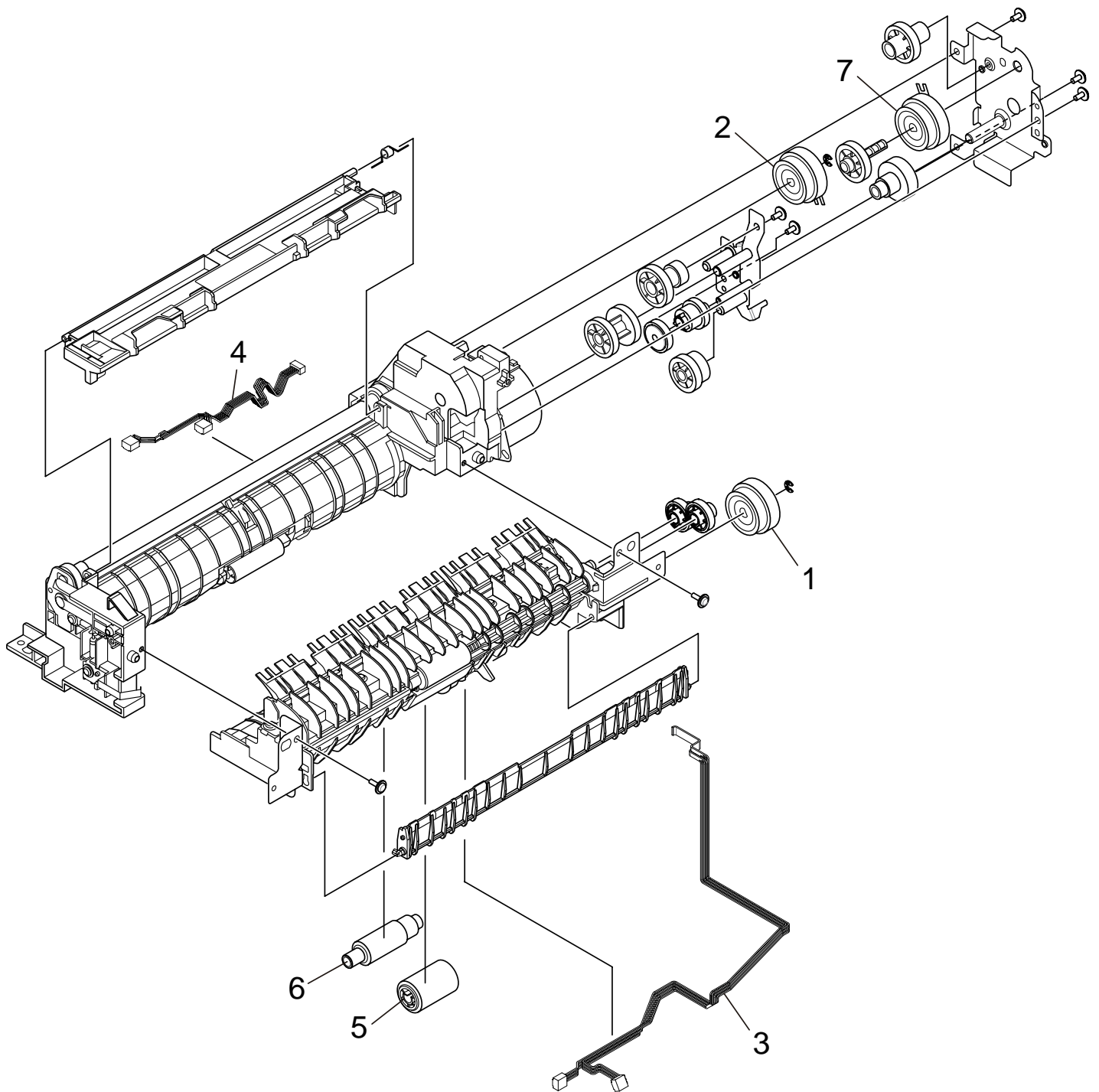
No.	Part No.	Part Name	Qty /Unit	Recommended Qty/Year			Remarks
				per 500	per 1000	per 2000	
1		Gear-Assy.-CL25Z19	1	1	2	4	Duplex-CL
2	44429701	CONN Cord-AMP6P-AMP3P-AMP3P	1	1	2	4	PU-Dup. SNS

Sensor Assy.-Regist



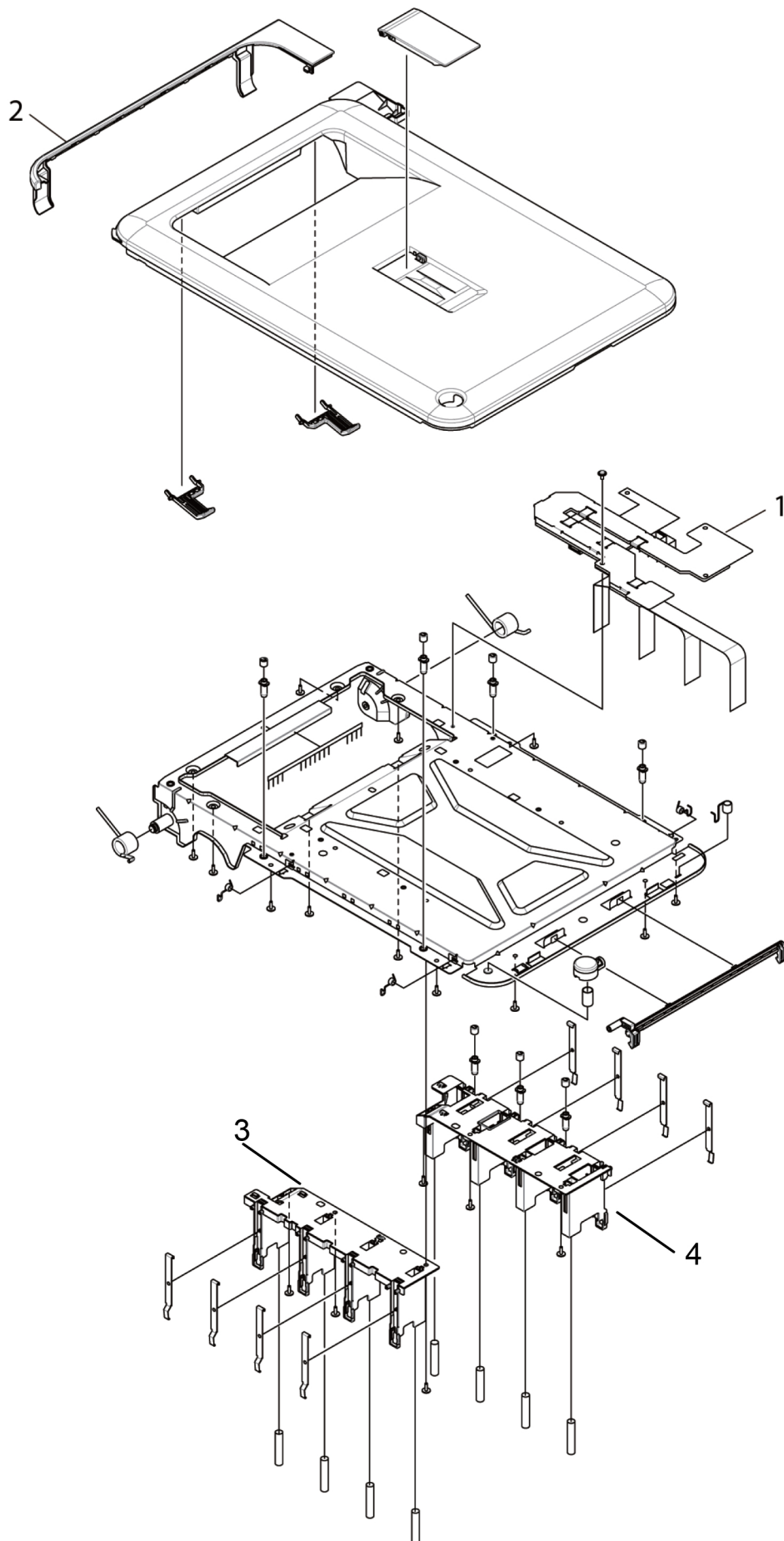
No.	Part No.	Part Name	Qty /Unit	Recommended Qty/Year			Remarks
				per 500	per 1000	per 2000	
1		Thermistor-Belt	1	1	2	4	
2		Solenoid	1	1	2	4	Shutter
3		CONN Cord-AMP10P-AMP5PAMP5P	1	1	2	4	Sensor Assy-PU
4		Guide-BF	1	1	2	4	

Front Assy.-Hop/Reg



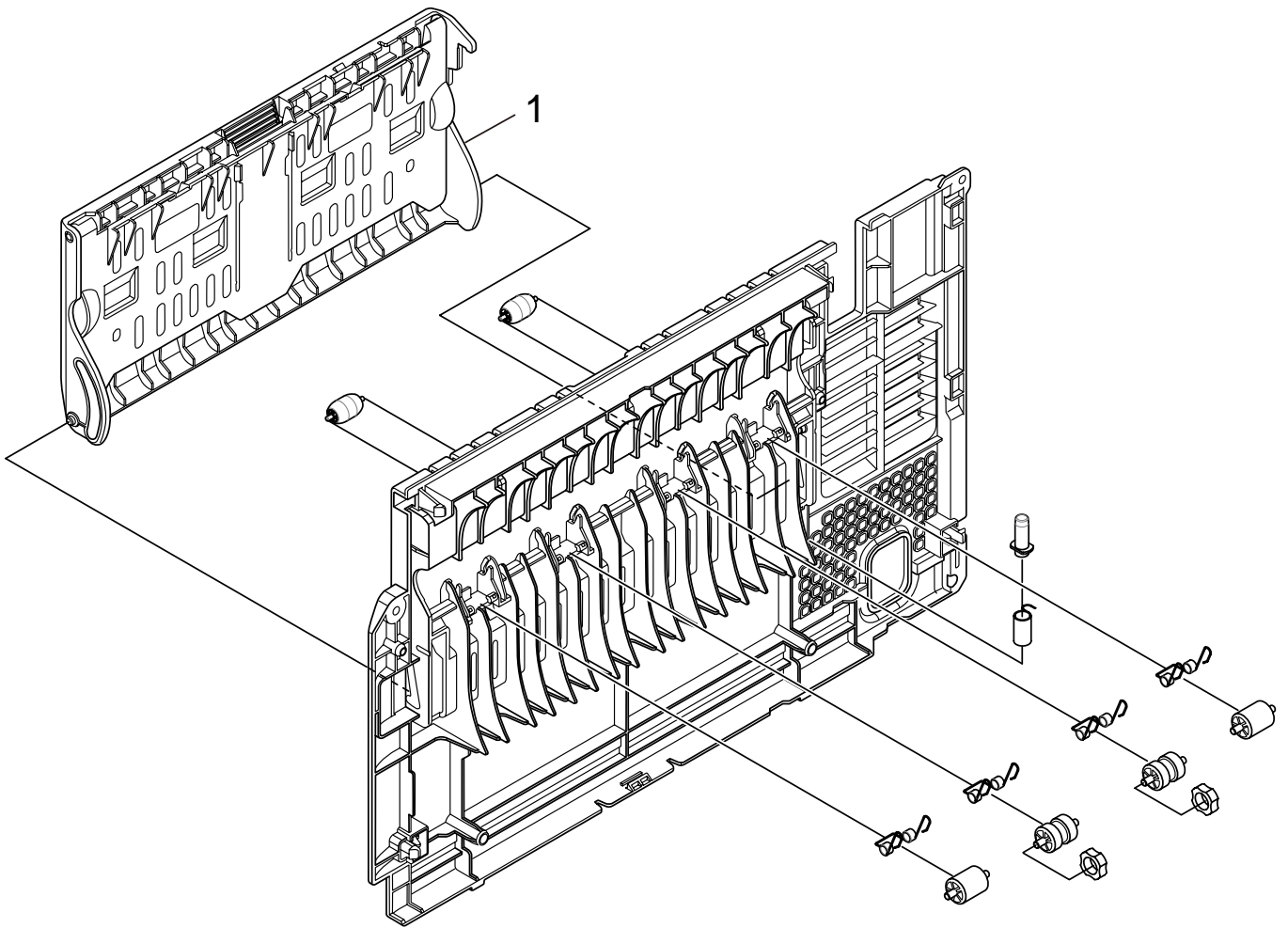
No.	Part No.	Part Name	Qty /Unit	Recommended Qty/Year			Remarks
				per 500	per 1000	per 2000	
1	44261403	Clutch-3.5	1	1	2	4	Hop-CL
2	44261404	Clutch-4.5	1	1	2	4	Reg-CL
3	44429702	CONN Cord-AMP6P-AMP3P-AMP3P	1	1	2	4	PU-Hop. SNS
4	44429601	CONN Cord-AMP7P-AMP3P-AMP3P	1	1	2	4	PU-Reg. SNS
5	44483301	Roller-Assy-Hopping	1	1	2	4	
6	44483601	Roller-Assy-PickUp	1	1	2	4	
7	44261406	Clutch-3.5	1	1	2	4	MTP-CL (Same part of ADF-Assy No.11)

Cover-Top-Assy



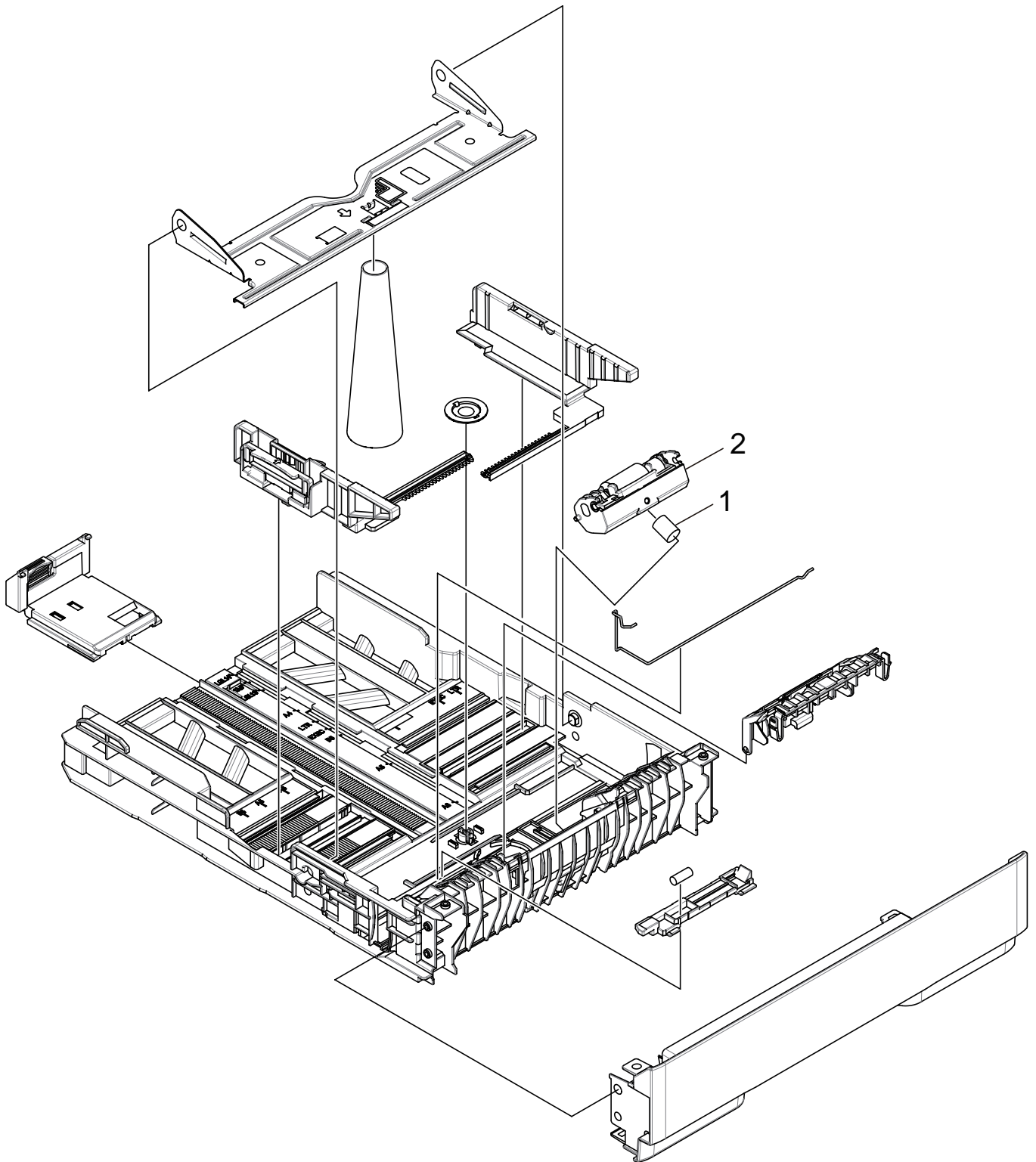
No.	Part No.	Part name	Recommended			Remarks
			per 500	per 1000	per 2000	
1	44498001	Cable-Head-Assy	1	2	4	
2						
3	44366601	Frame-Head-L				
4	44366701	Frame-Head-R				

Cover-Assy.-Rear



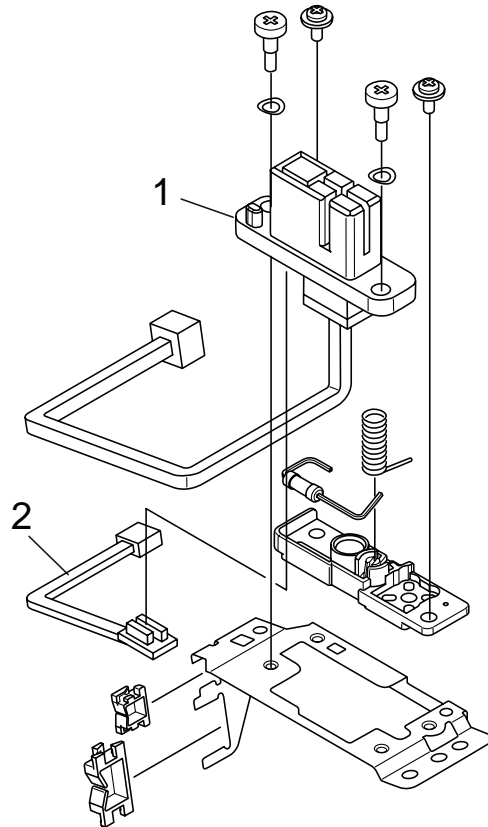
No.	Part No.	Part Name	Qty /Unit	Recommended Qty/Year			Remarks
				per 500	per 1000	per 2000	
1		Cover-Assy.-Stacker	1	1	2	4	

Case-Cassette-Assy



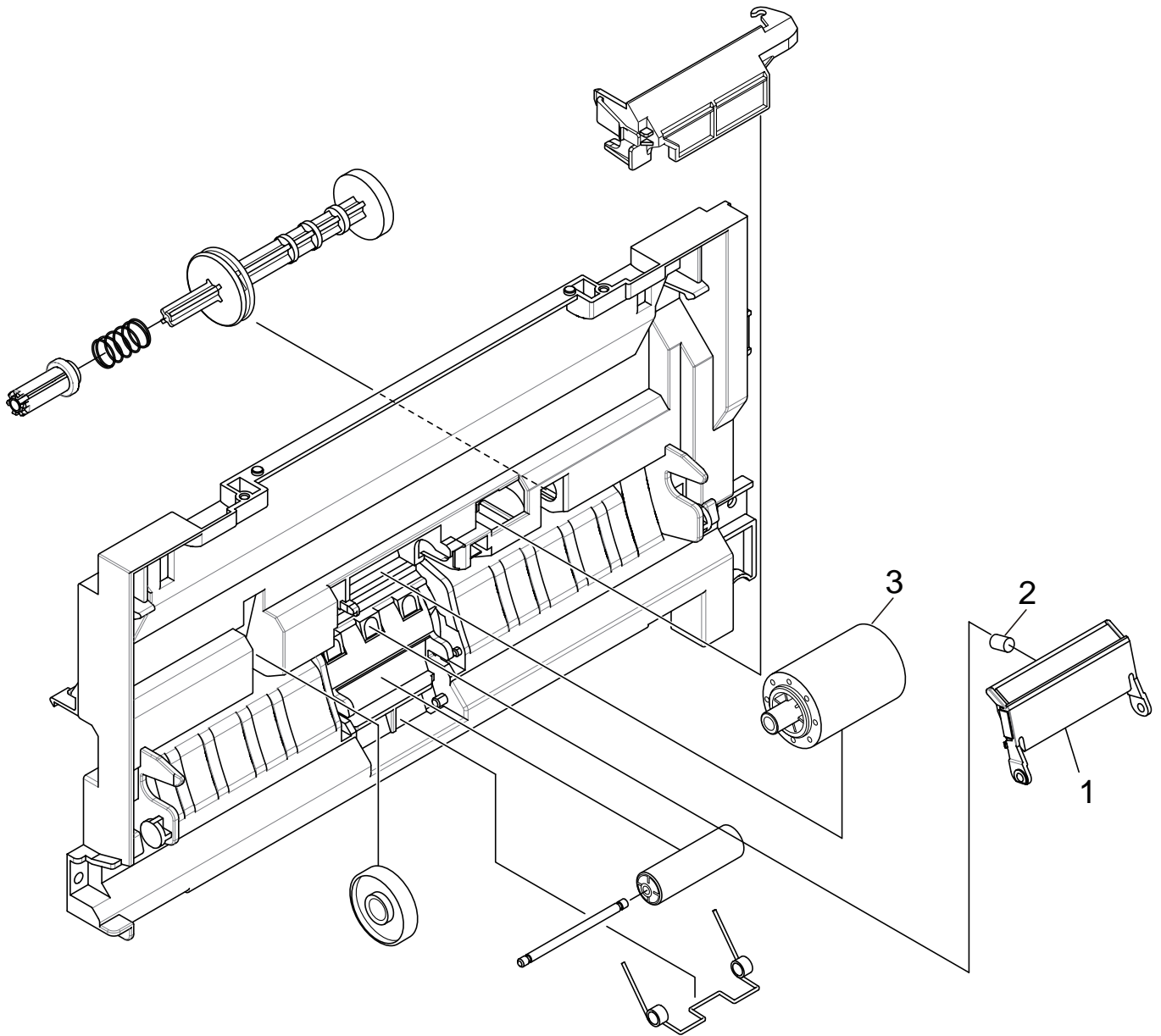
No.	Part No.	Part Name	Qty /Unit	Recommended Qty/Year			Remarks
				per 500	per 1000	per 2000	
1	43963101	Spring-Retard	1	1	2	4	
2	44384701	Frame Assy.-Retard	1	1	2	4	

FG-Assy-Fuser



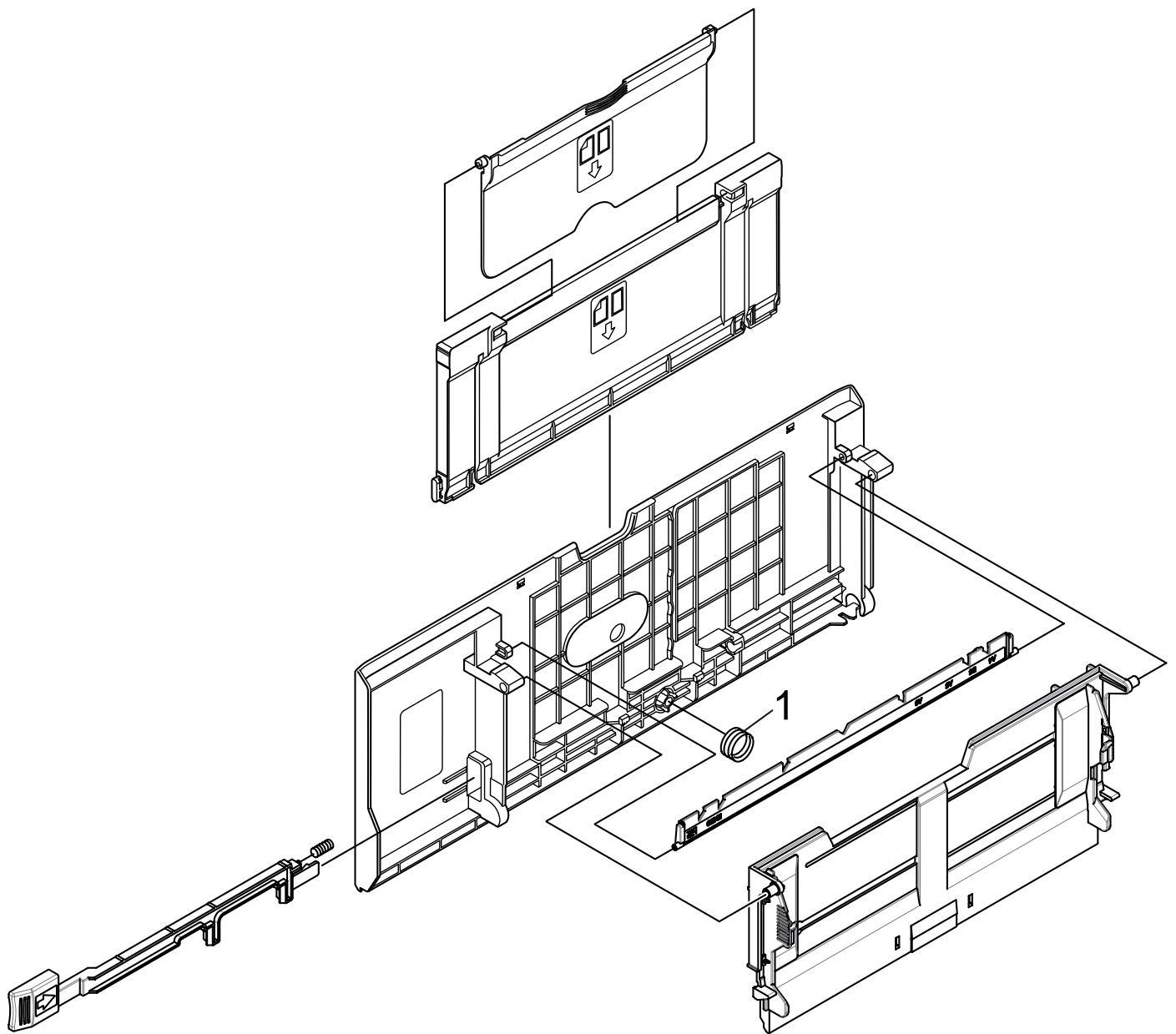
No.	Part No.	Part Name	Qty /Unit	Recommended Qty/Year			Remarks
				per 500	per 1000	per 2000	
1		CONN Cord-Drawer-JST4P	1	1	2	4	PU-Fuser
2		CONN Cord-JST8P-JST5PJST4P	1	1	2	4	PU-Fuser

Frame Assy.-MPT



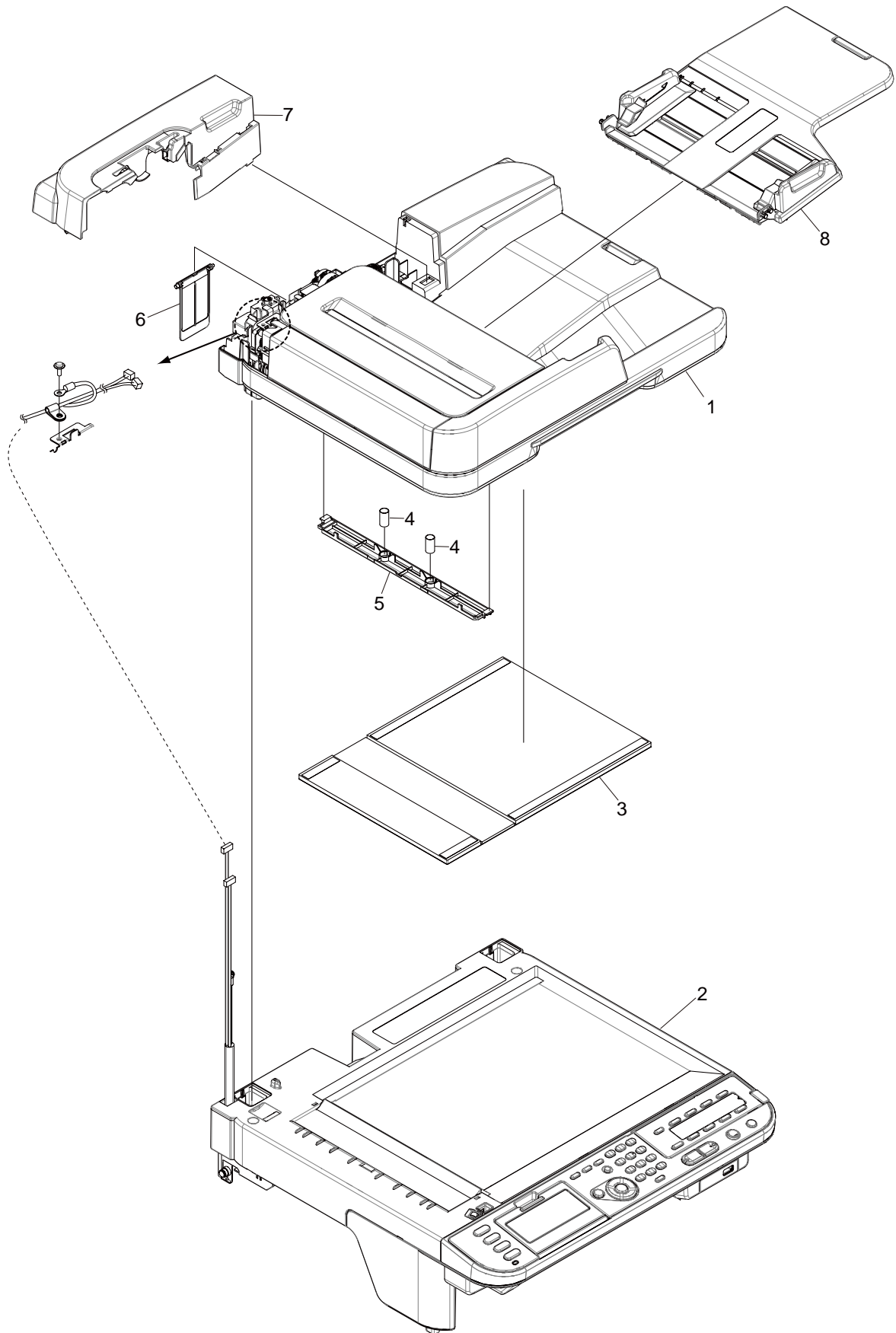
No.	Part No.	Part Name	Qty /Unit	Recommended Qty/Year			Remarks
				per 500	per 1000	per 2000	
1	43922402	Frame Assy.-Separator	1	2	4	8	
2		Spring-Separator	1	1	2	4	
3	43922301	Roller-Assy-MPT	1	1	2	4	

Cover Assy.-MPT



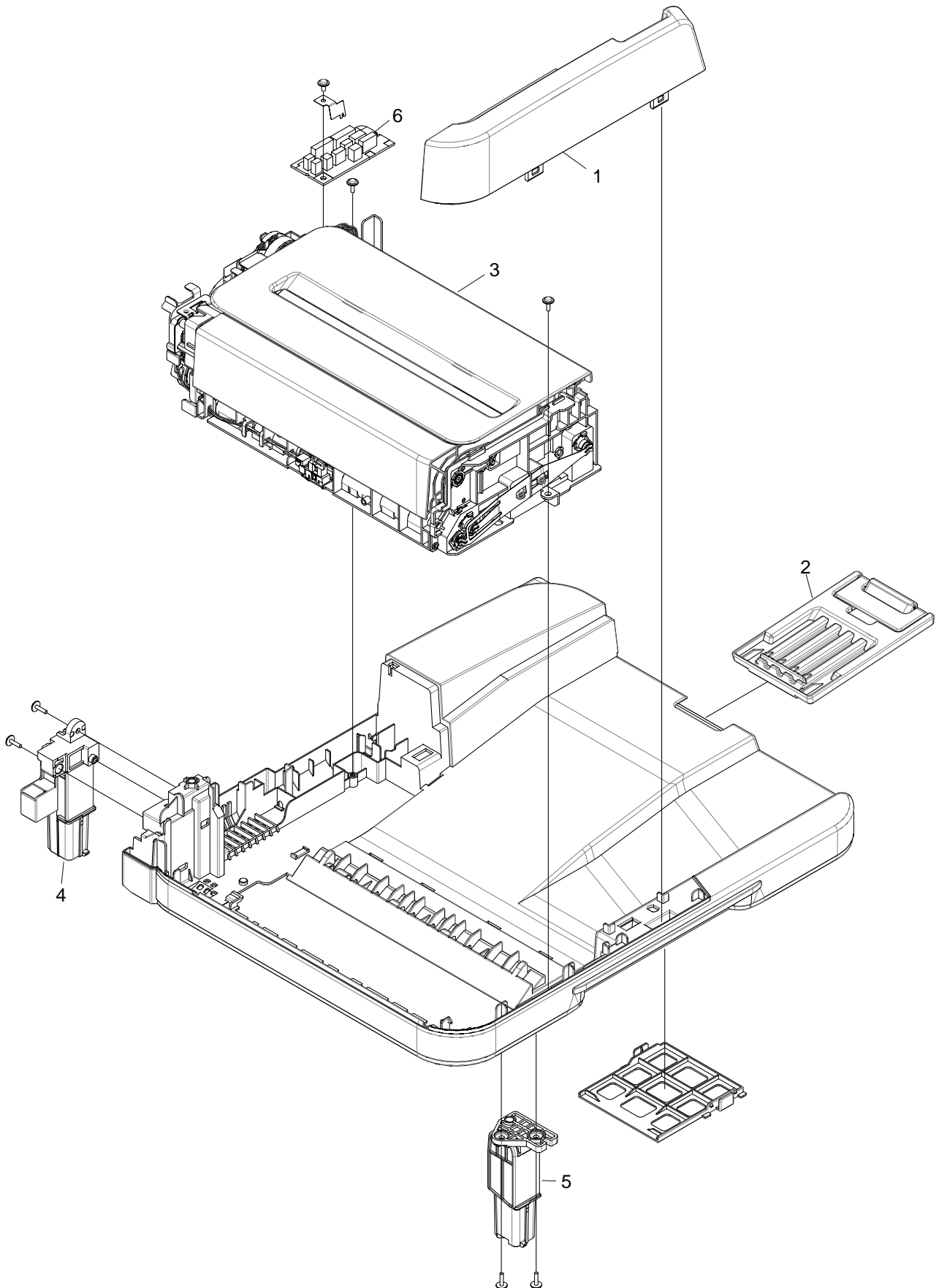
No.	Part No.	Part Name	Qty /Unit	Recommended Qty/Year			Remarks
				per 500	per 1000	per 2000	
1	44009301	Spring-Separator	1	1	2	4	

Scanner-Unit



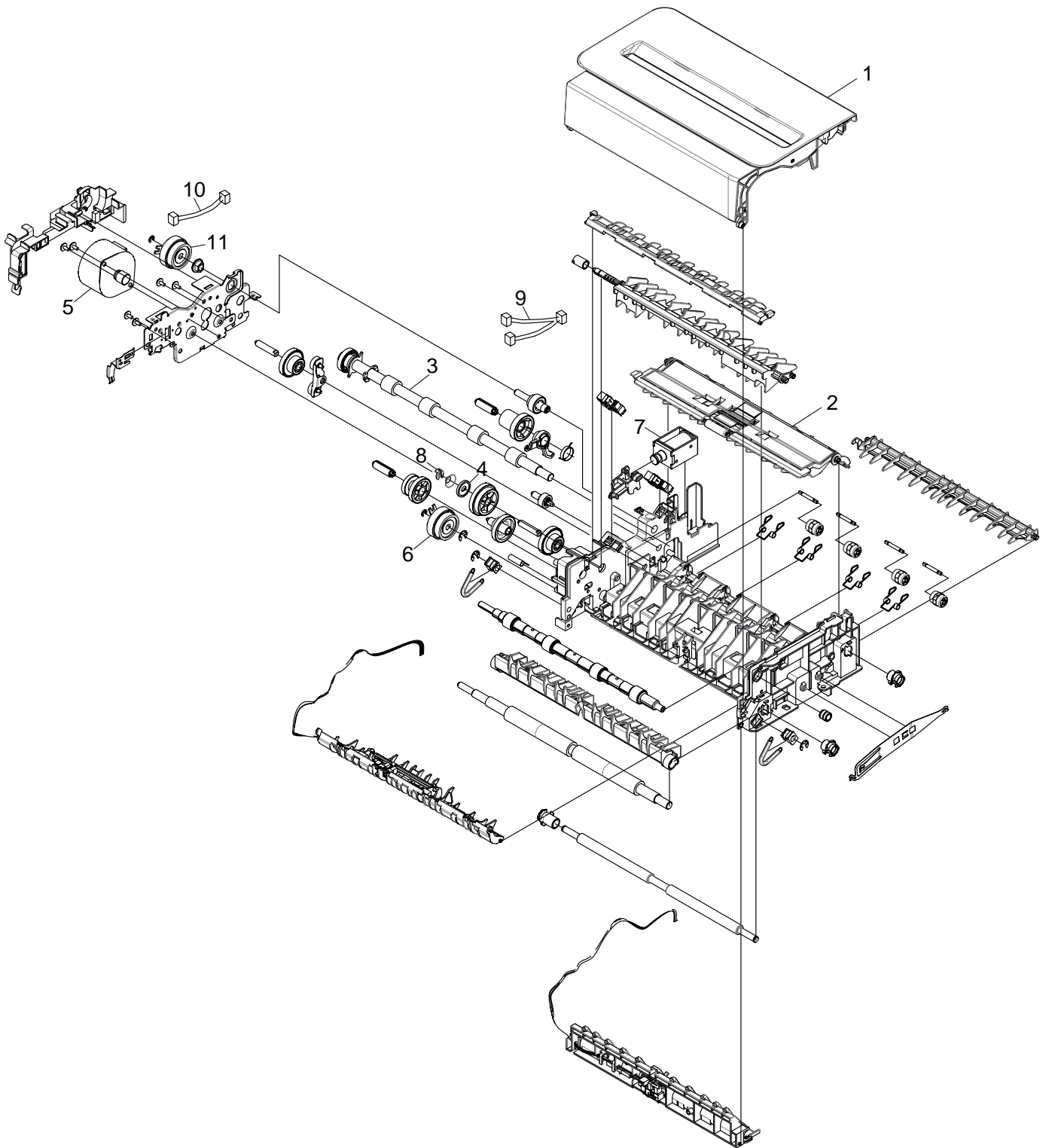
No.	Part No.	Part Name	Qty /Unit	Recommended Qty/Year			Remarks
				per 500	per 1000	per 2000	
1		ADF-Unit	1	1	2	4	
2		Flatbed-Unit(MC561dn)	1	1	2	4	
2		Flatbed-Unit(MC361dn)	1	1	2	4	
3	44659501	Sheet-Document	1	1	2	4	
4	44538001	Spring-PW-ADF	2	1	2	4	
5	44659301	Paper-Weight-Assy	1	1	2	4	
6		Cover-Flap	1	1	2	4	
7	44660001	Cover-ADF-R-Assy	1	1	2	4	
8	44538701	Tray-Assy-Document	1	1	2	4	

ADF-Unit



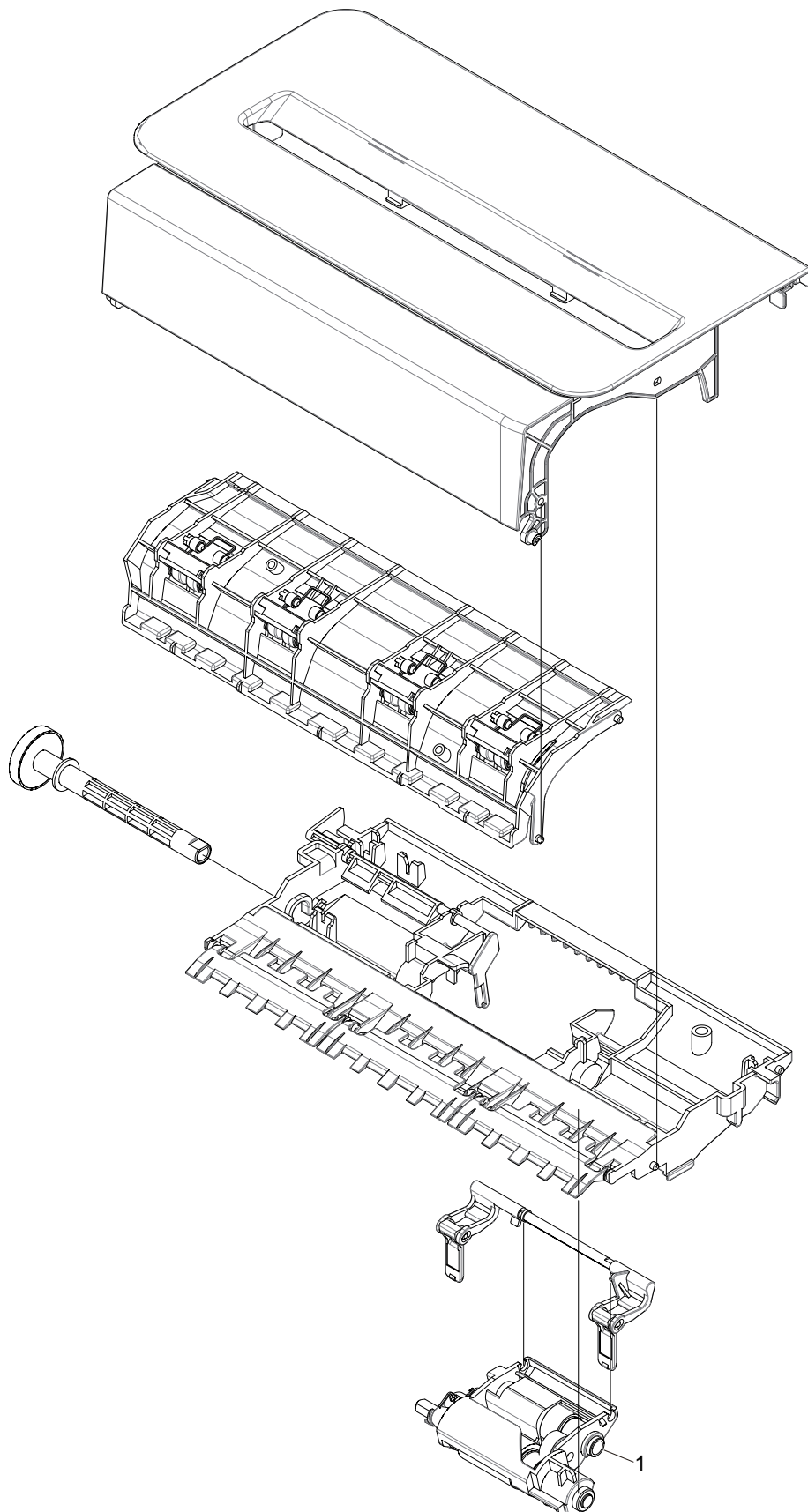
No.	Part No.	Part Name	Qty /Unit	Recommended Qty/Year			Remarks
				per 500	per 1000	per 2000	
1	44528901	Cover-ADF-F	1	1	2	4	
2	44529101	Guide-Assy-Exit-Sub	1	1	2	4	
3	44529501	ADF-Assy	1	1	2	4	
4	44539301	Hinge-Assy-L	1	1	2	4	
5	44539901	Hinge-Assy-R	1	1	2	4	
6	44604601	OR-ADF Board(FX750)	1	2	4	8	ADF Board

ADF-Assy



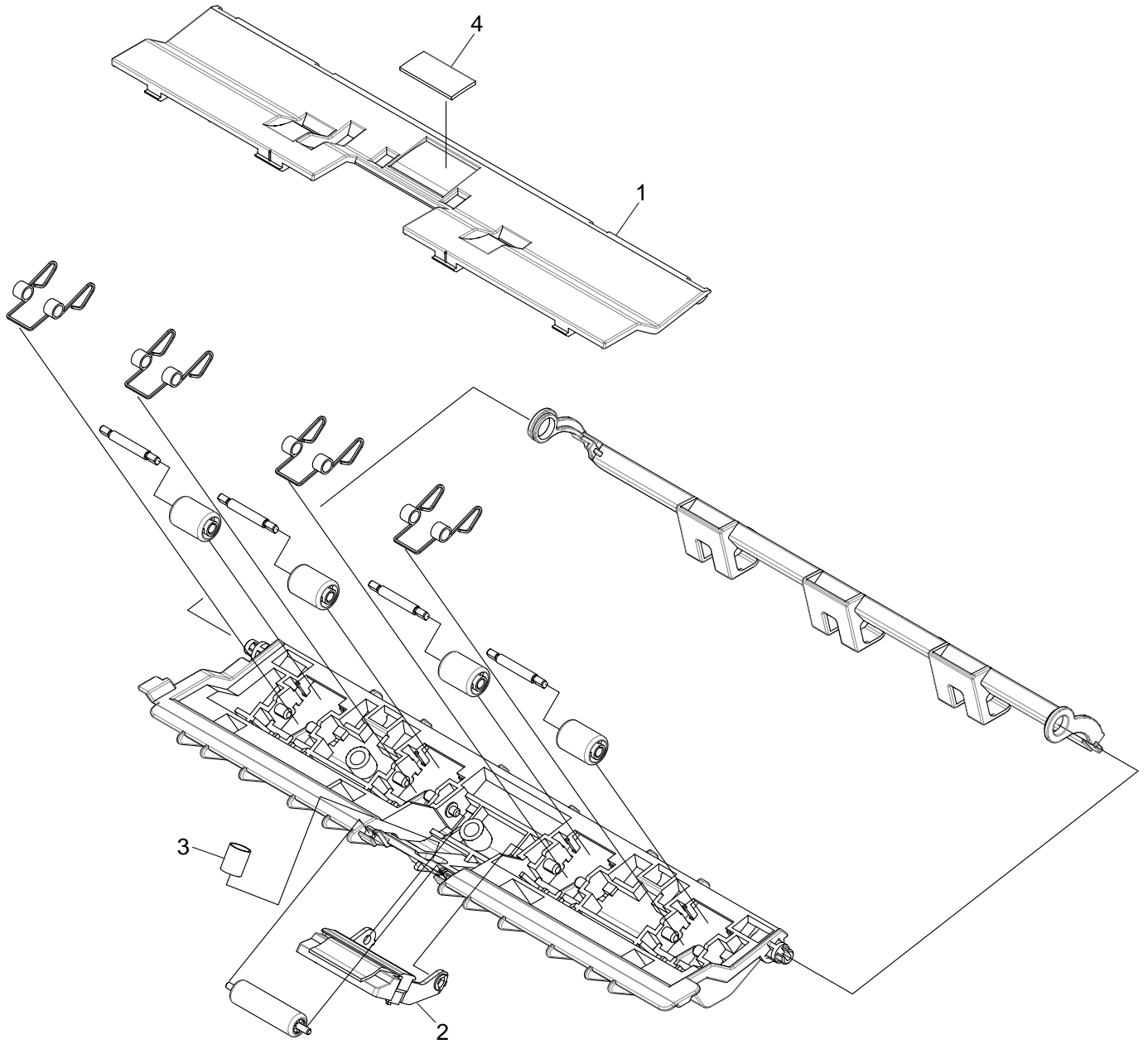
No.	Part No.	Part Name	Qty /Unit	Recommended Qty/Year			Remarks
				per 500	per 1000	per 2000	
1	44530101	Cover-Assy-Top-ADF	1	1	2	4	
2	44532401	Guide-Assy-A	1	1	2	4	
3	44534901	Roller-Assy-Eject-ADF	1	1	2	4	
4		Washer-A	1	1	2	4	
5		Motor_Pulse_Belt	1	1	2	4	ADF-Motor
6	44261401	Clutch	1	1	2	4	ADF-Reg-CL
7		Solenoid	1	1	2	4	ADF-Sol
8		Retainer-4	1	1	2	4	
9	44595201	CONN Cord-AMP3P-AMP3P-AMP6P	1	1	2	4	ADF-Cover/Set SNS
10	44595601	CONN Cord-AMP4P-AMP4P	1	1	2	4	ADF-Motor
11	44261406	Clutch-3.5	1	1	2	4	ADF-Hop-CL (Same part of Front Assy.-Hop/Reg No.7)

Cover-Assy-Top-ADF



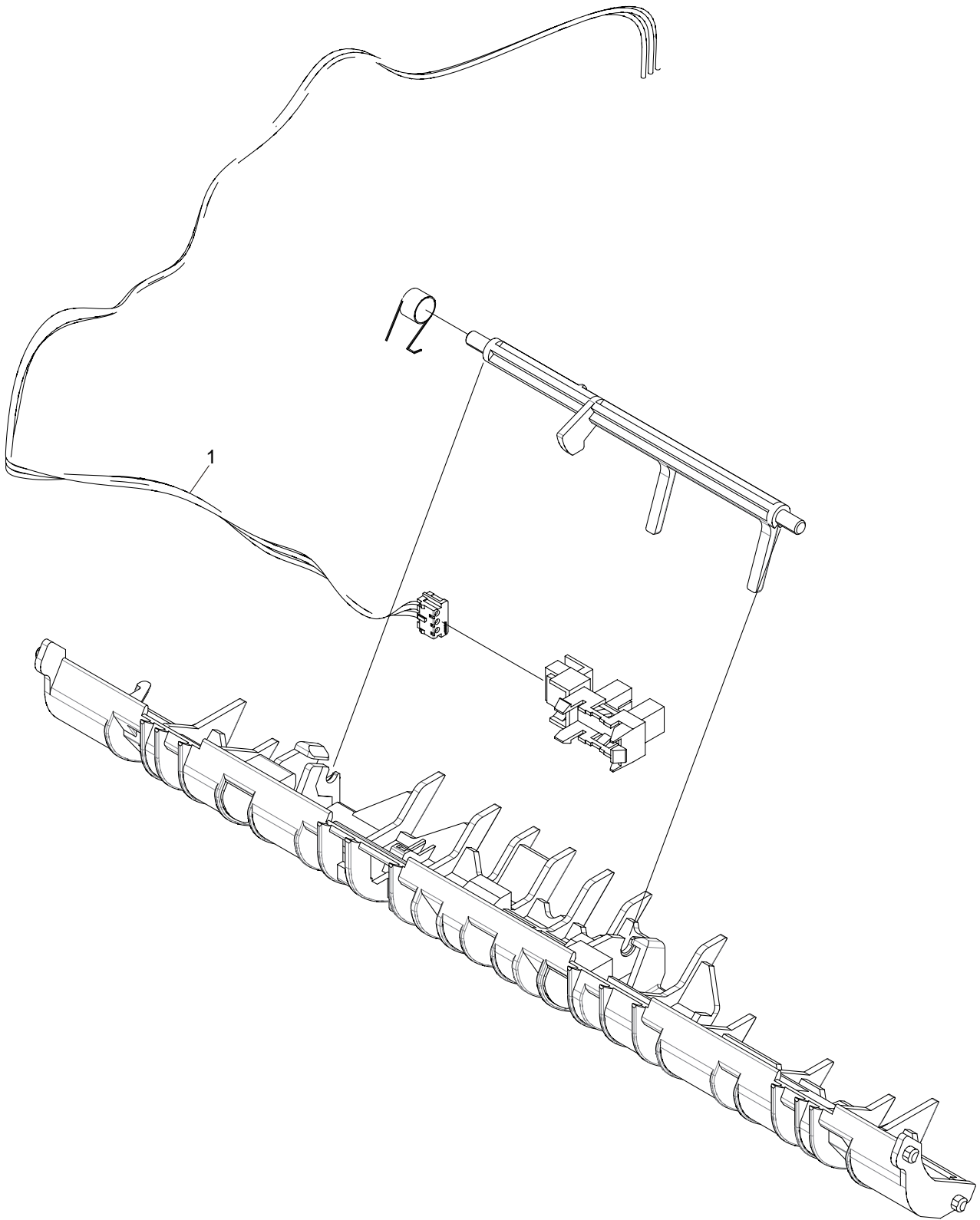
No.	Part No.	Part Name	Qty /Unit	Recommended Qty/Year			Remarks
				per 500	per 1000	per 2000	
1	44531101	Frame-Assy-Hopping-ADF	1	2	4	8	

Guide-Assy-A



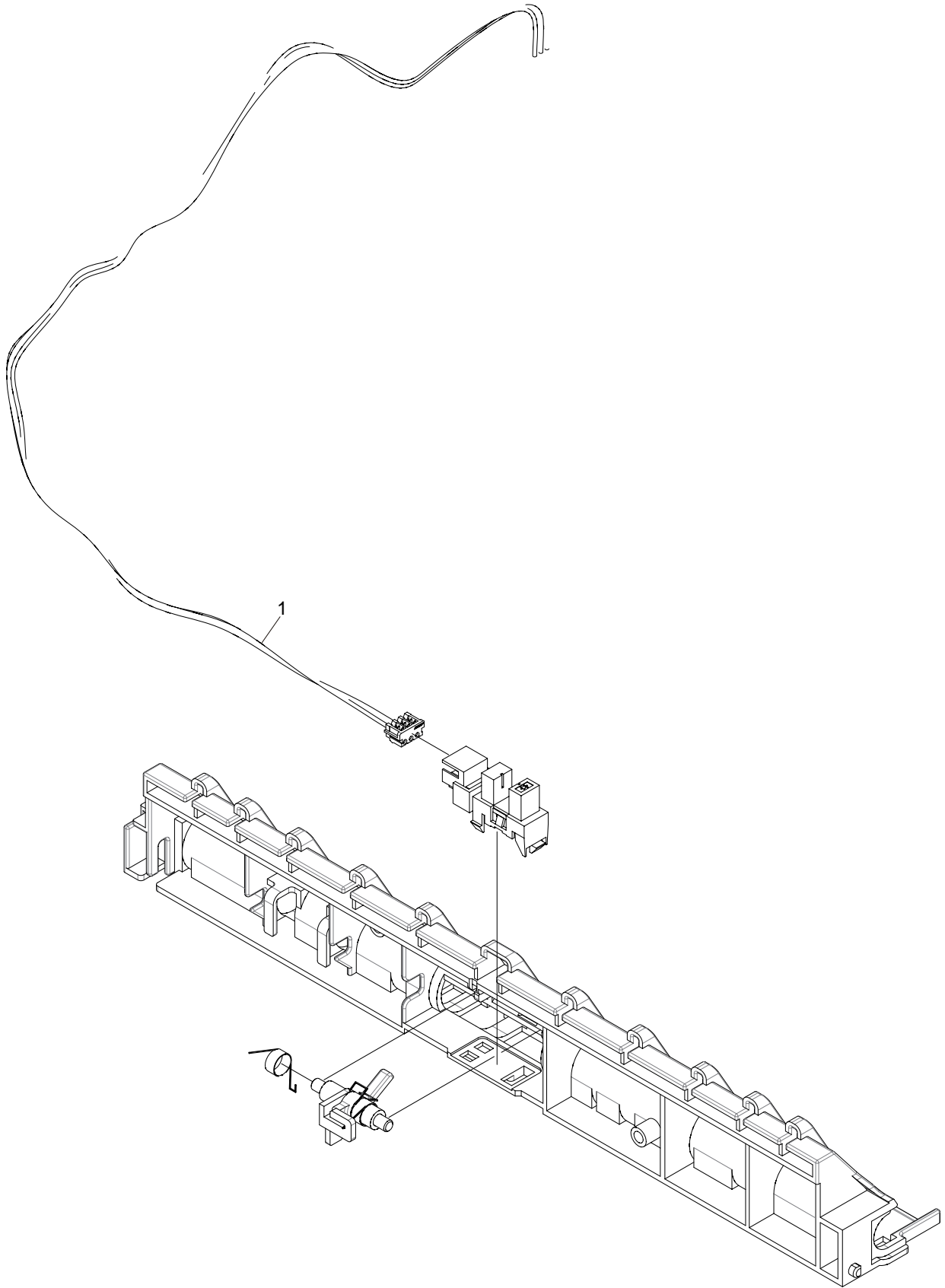
No.	Part No.	Part Name	Qty /Unit	Recommended Qty/Year			Remarks
				per 500	per 1000	per 2000	
1		Guide-A-Sub	1	1	2	4	
2	44532701	Frame-Assy-Separator	1	2	4	8	
3		Spring-Separator	1	1	2	4	
4	44533301	Rubber-Friction	1	2	4	8	

Guide-Assy-C



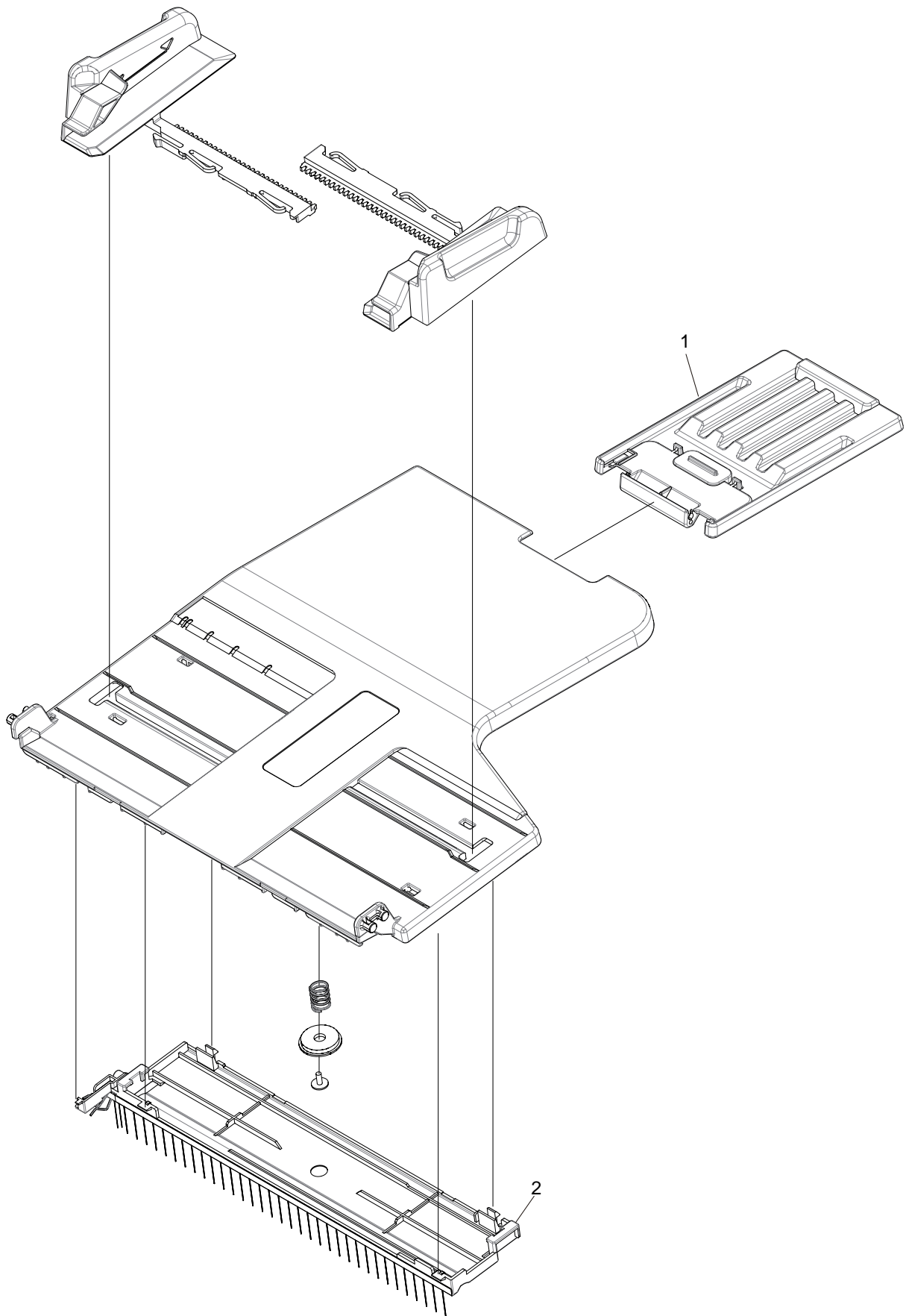
No.	Part No.	Part Name	Qty /Unit	Recommended Qty/Year			Remarks
				per 500	per 1000	per 2000	
1	44595301	CONN Cord-AMP3P-JST3P	1	1	2	4	ADF-Rev SNS

Guide-Assy-D



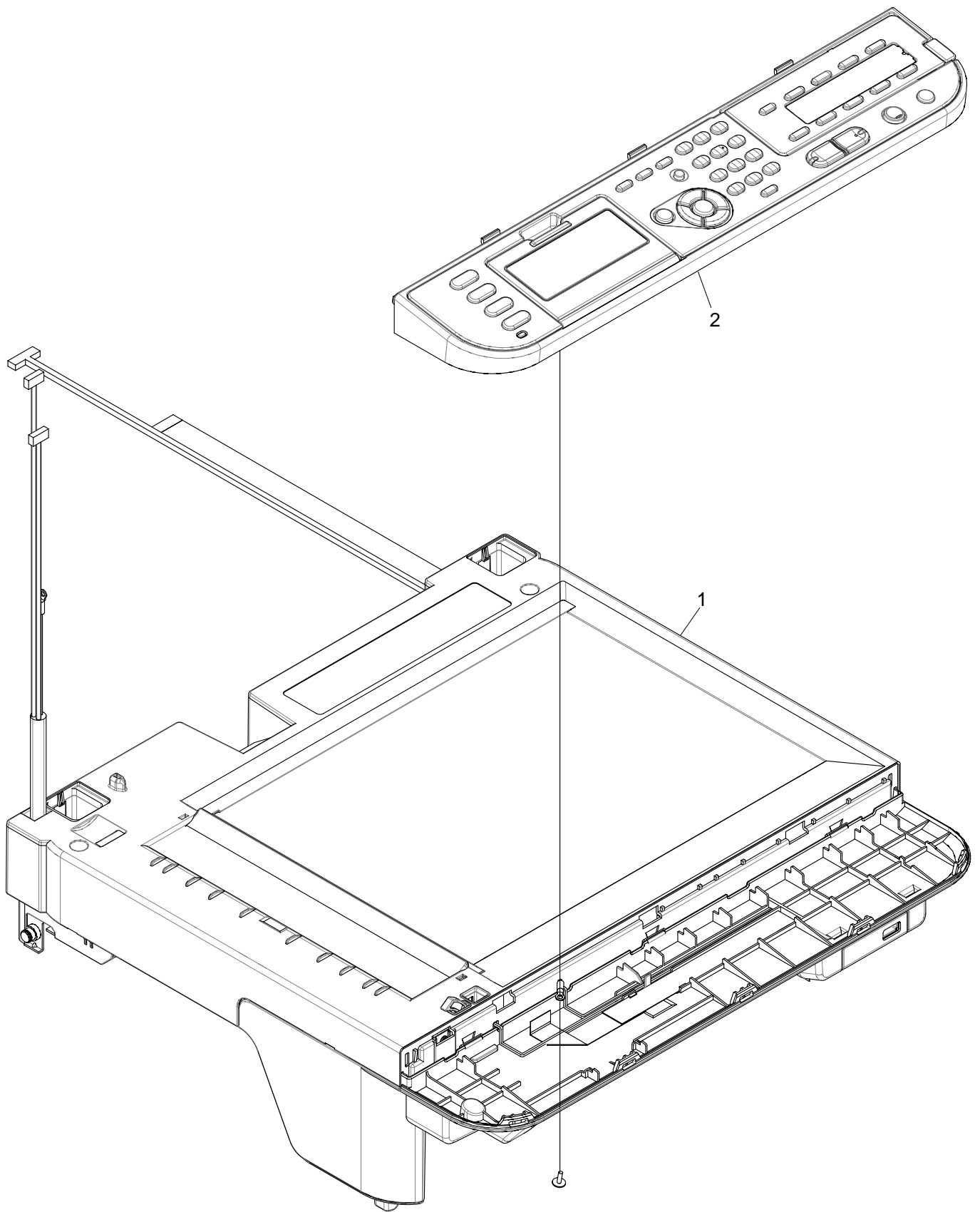
No.	Part No.	Part Name	Qty /Unit	Recommended Qty/Year			Remarks
				per 500	per 1000	per 2000	
1	44595401	CONN Cord-AMP3P-AMP3P	1	1	2	4	ADF-Reg SNS

Tray-Assy-Document



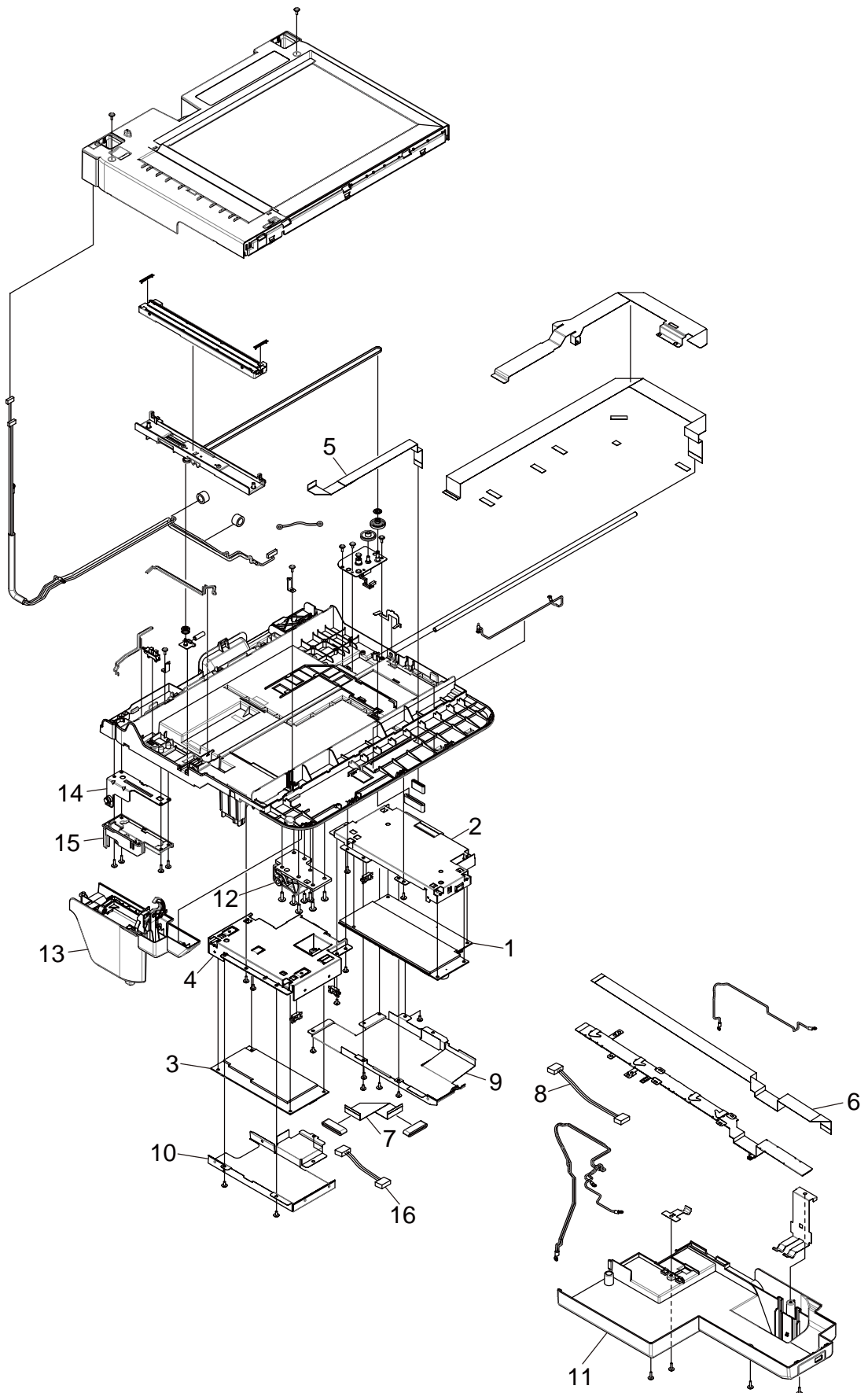
No.	Part No.	Part Name	Qty /Unit	Recommended Qty/Year			Remarks
				per 500	per 1000	per 2000	
1		Tray-Document-Sub	1	1	2	4	
2	44661201	Cover-Tray-Assy	1	1	2	4	

Flatbed-Unit



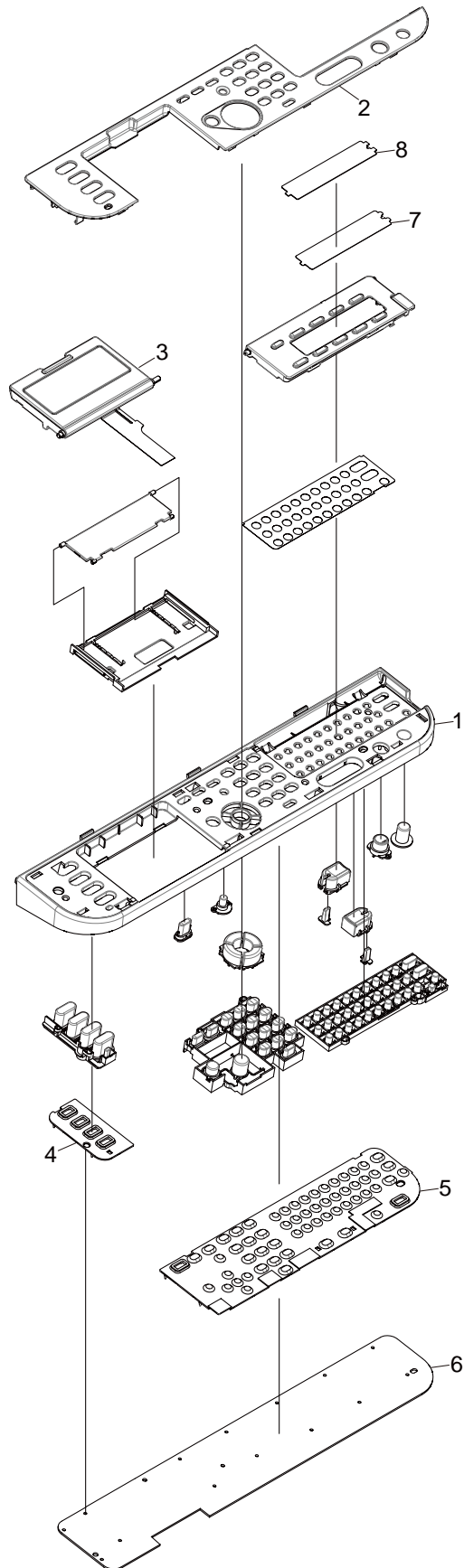
No.	Part No.	Part Name	Qty /Unit	Recommended Qty/Year			Remarks
				per 500	per 1000	per 2000	
1		Frame-Assy-FB(Overseas)	1	1	2	4	MC561/MC361 Overesea
1	44596302	Frame-Assy-FB(JPN)	1	1	2	4	MC561/MC361 JPN
1	44596303	Frame-Assy-FB	1	1	2	4	MC351 Oversea
2	44596801	Frame-Assy-OP(MC561)	1	1	2	4	MC561 Oversea
2		Frame-Assy-OP(MC361)	1	1	2	4	MC361 Oversea
2	44597401	Frame-Assy-OP(MC351)	1	1	2	4	MC351 Oversea

Frame-Assy-FB



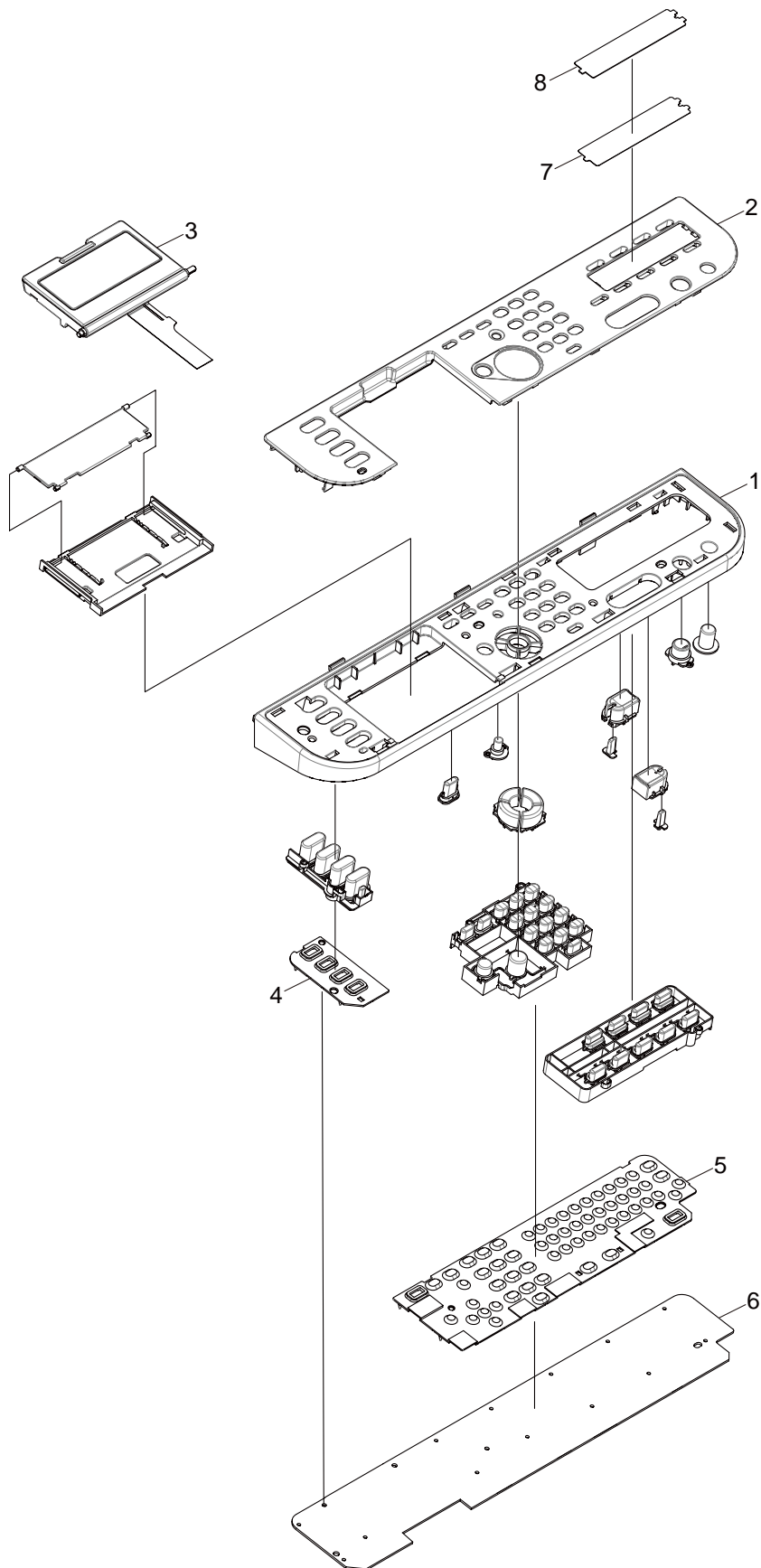
No.	Part No.	Part Name	Qty /Unit	Recommended Qty/Year			Remarks
				per 500	per 1000	per 2000	
1	44604001	OR-SU Board(FX750)	1	2	4	8	SU Board
2	44523801	Plate-Board(SU)	1	1	2	4	
3	44604201	OR-FAX Board	1	2	4	8	
4		Plate-Board(FAX)	1	1	2	4	
5		20706FWR1.0-16-320	1	1	2	4	
6		20706ASFBNCD0550-642	1	1	2	4	
7		20706FWR1.0L-30-105	1	1	2	4	MC561/MC361
5		SMCD-16X320-10BDX8	1	1	2	4	
6		SML2CD-50X642-BDXAUP	1	1	2	4	
7		SMCD-30X105-10ADX10	1	1	2	4	
8		CONN Cord-JST10P-JST10P	1	1	2	4	
9		Plate-Shield(SU)	1	1	2	4	
10		Plate-Shield(FAX)	1	1	2	4	
11		Cover-SU	1	1	2	4	
12		Cam-Hinge	1	1	2	4	
13		Cover-Assy-LF	1	1	2	4	
14		Cover-Side-LF	1	1	2	4	
14		Plate-Hinge-L(Caulking)	1	1	2	4	
15		Cover-Hinge(L)	1	1	2	4	
16		CONN Cord-AMP6P-AMP6P	1	1	2	4	MC561/MC361

Frame-Assy-OP(MC561)



No.	Part No.	Part Name	Qty /Unit	Recommended Qty/Year			Remarks
				per 500	per 1000	per 2000	
1		Frame-OP-Panel(A)	1	1	2	4	MC561
2	44542101	Cover-OP-Panel(A)	1	1	2	4	MC561 Oversea
3	44596901	LCD-Assy	1	1	2	4	
4	44565301	Rubber-Pad(L)	1	1	2	4	
5	44565401	Rubber-Pad(R)	1	1	2	4	
6	44604301	OR-OPE Board(FX750)	1	2	4	8	
7	44546001	Sheet-One-Touch	1	1	2	4	
8	44546101	Flim-One-Touch	1	1	2	4	

Frame-Assy-OP(MC361)



No.	Part No.	Part Name	Qty /Unit	Recommended Qty/Year			Remarks
				per 500	per 1000	per 2000	
1		Frame-OP-Panel(B)	1	1	2	4	
2	44564801	Cover-OP-Panel(B)	1	1	2	4	MC361 Oversea
3	44596901	LCD-Assy	1	1	2	4	
4		Rubber-Pad(L)	1	1	2	4	
5		Rubber-Pad(R)	1	1	2	4	
6	44604301	OR-OPE Board(FX750)	1	2	4	8	
7	44546001	Sheet-One-Touch	1	1	2	4	
8	44546101	Flim-One-Touch	1	1	2	4	