

# MC160n

## Disassembly for Maintenance

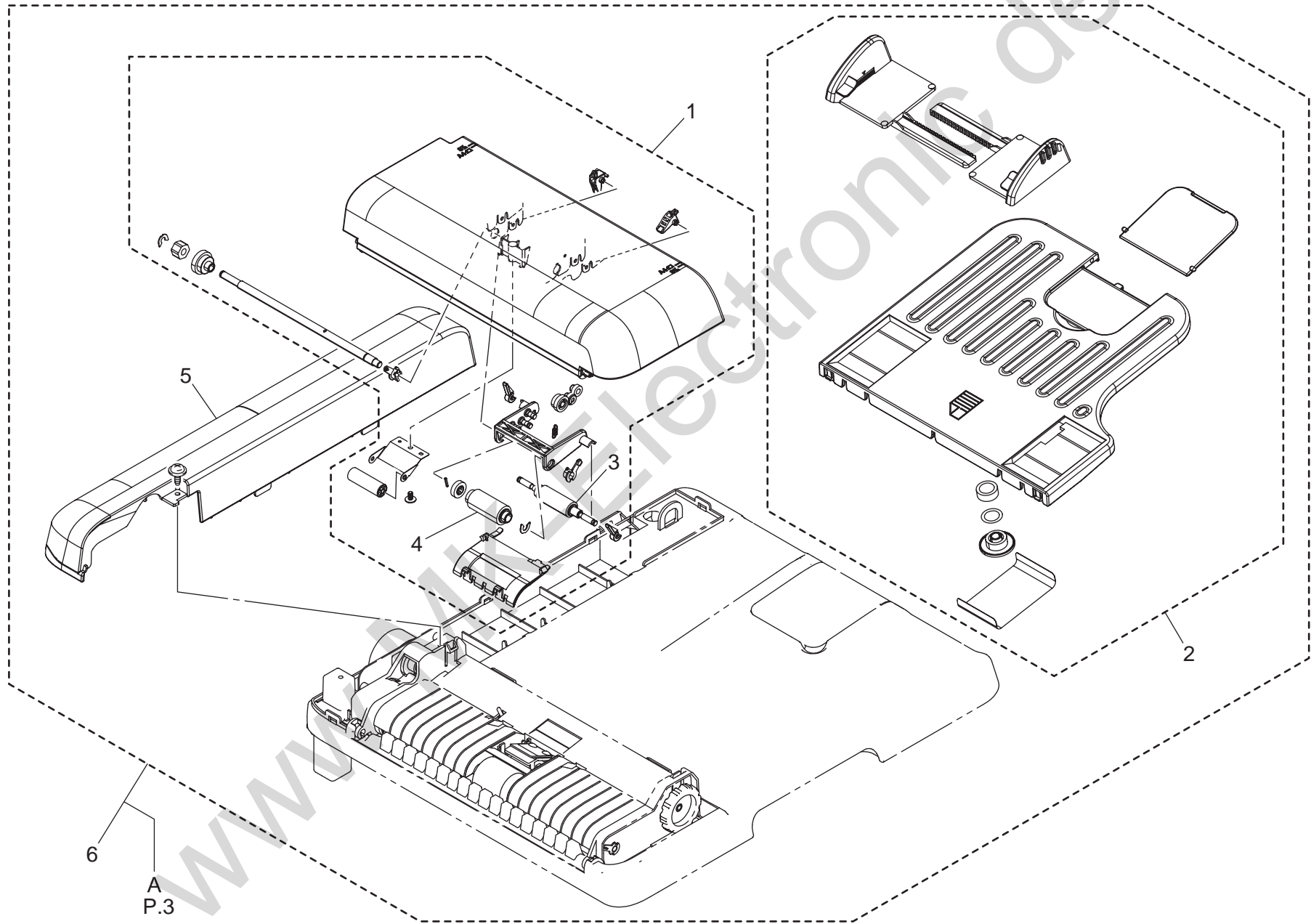
[Rev. 1]

Related drawings

Drawing No.	Name
44292401TH	MC160n Maintenance Manual
44292401TR	MC160n RSPL

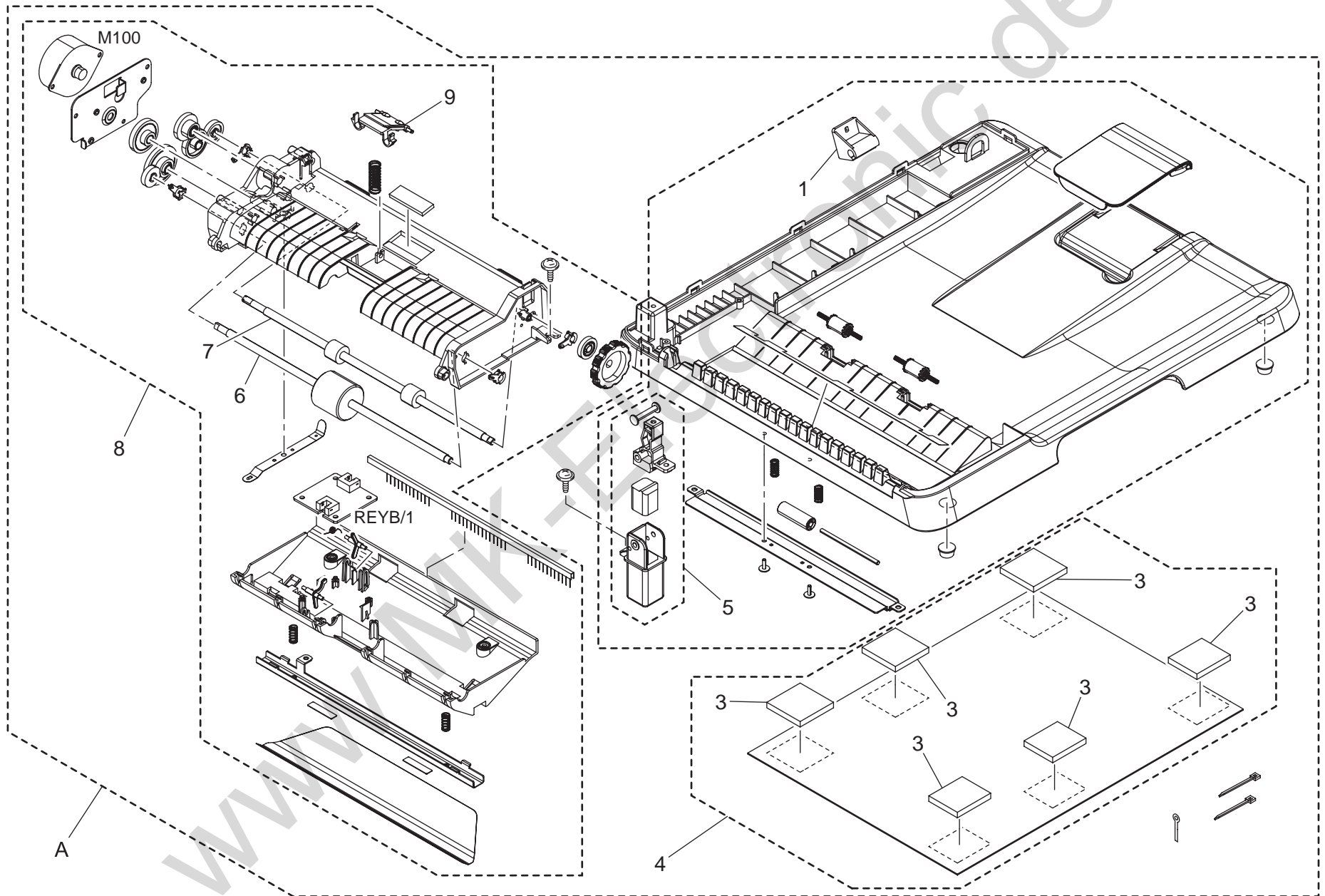
BOM		Use for		Certification Body	
Rev	Date	DCO No.	Contents	Design	Approval
Approval <b>Koji Aida</b>		Design <b>Hiromi Kano</b>		<b>MC160n</b> <b>Disassembly for Maintenance</b>	
Check <b>Hiromi Kano</b>					
Date <b>2009-07-10</b>		<b>Oki Data Corporation</b>			
				Drawing No.	<b>44292401TL</b>

# ADF UNIT\_1

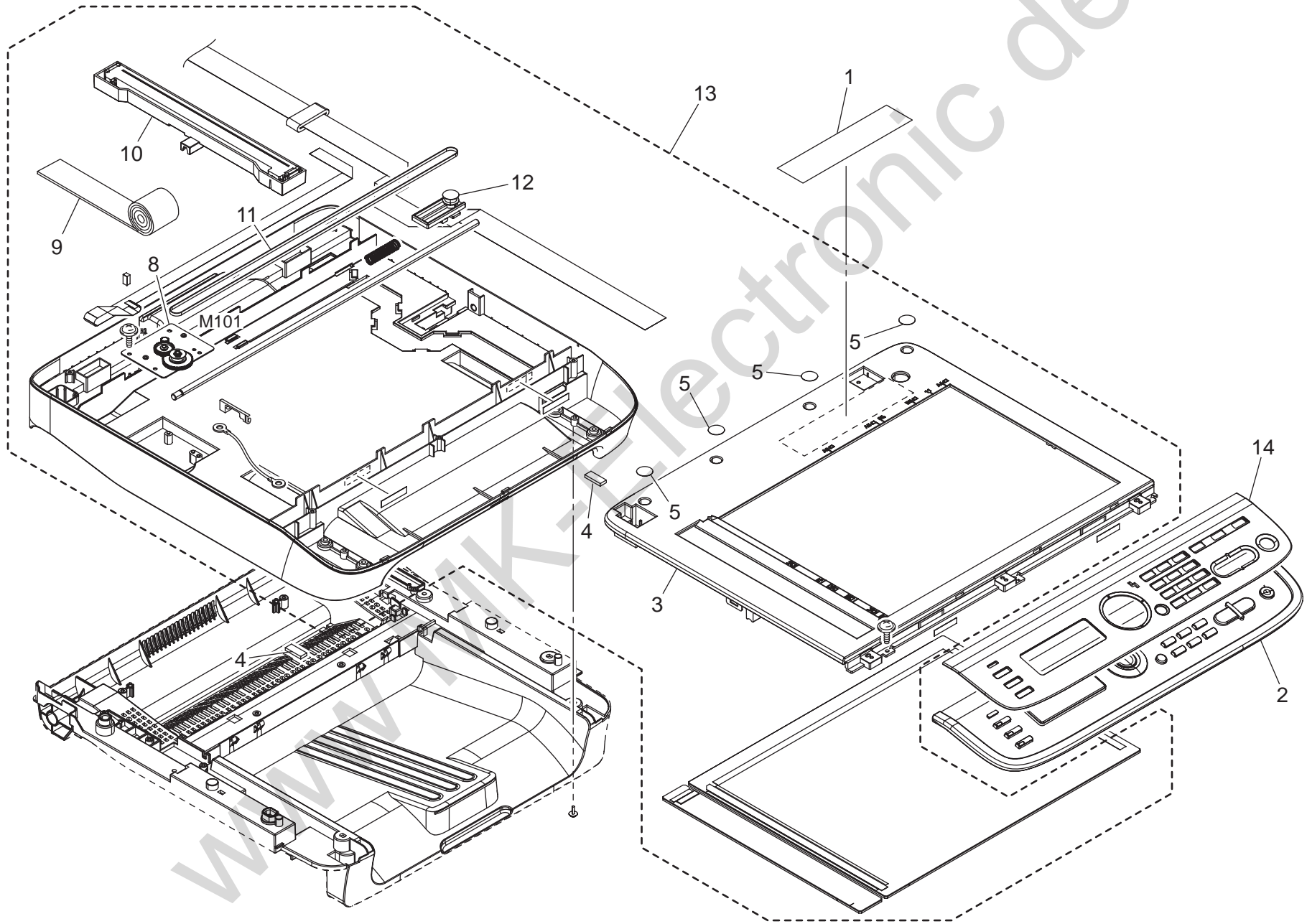


A  
P.3

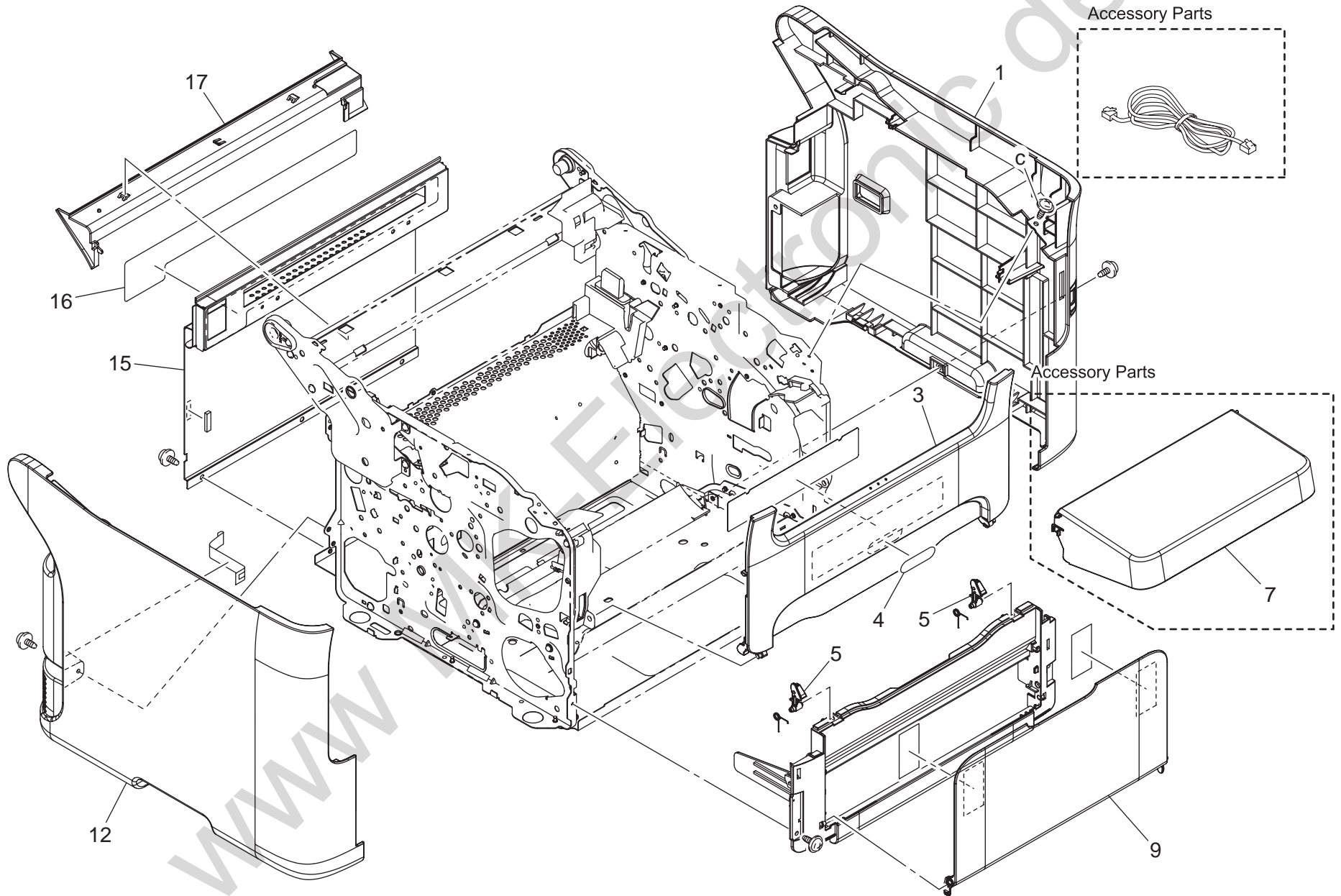
# ADF UNIT\_2



# IR SECTION

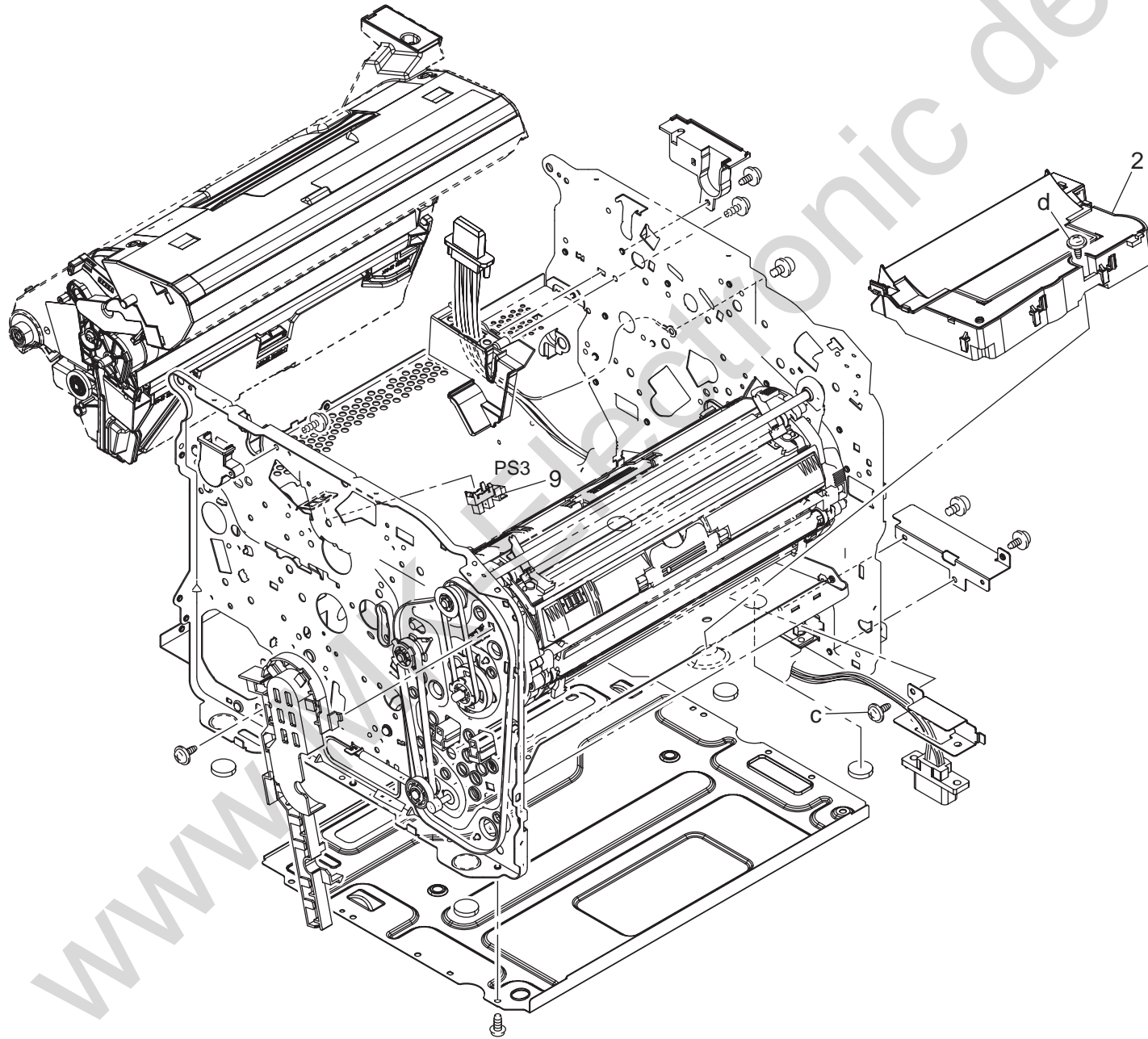


# EXTERNAL PARTS

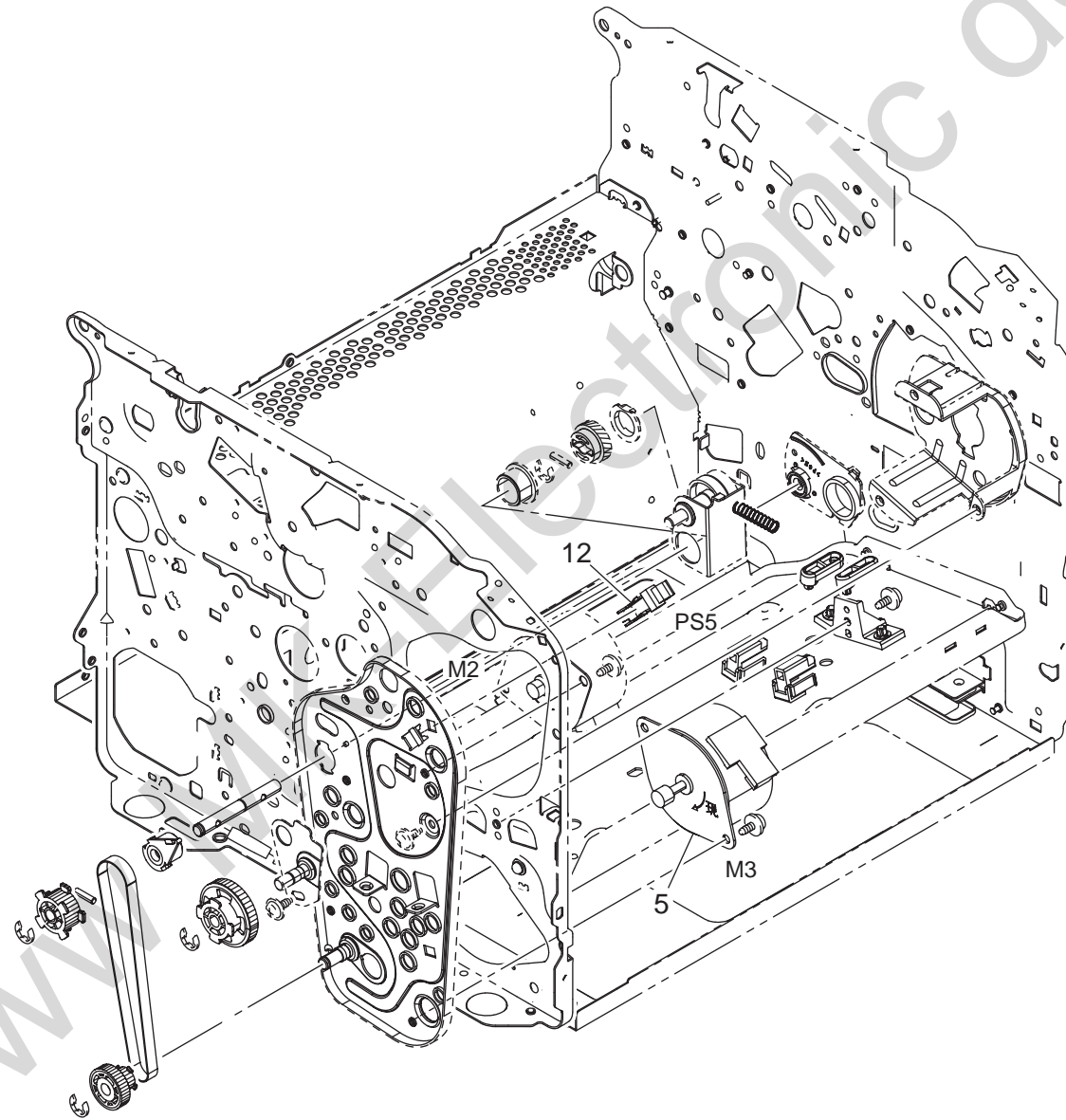




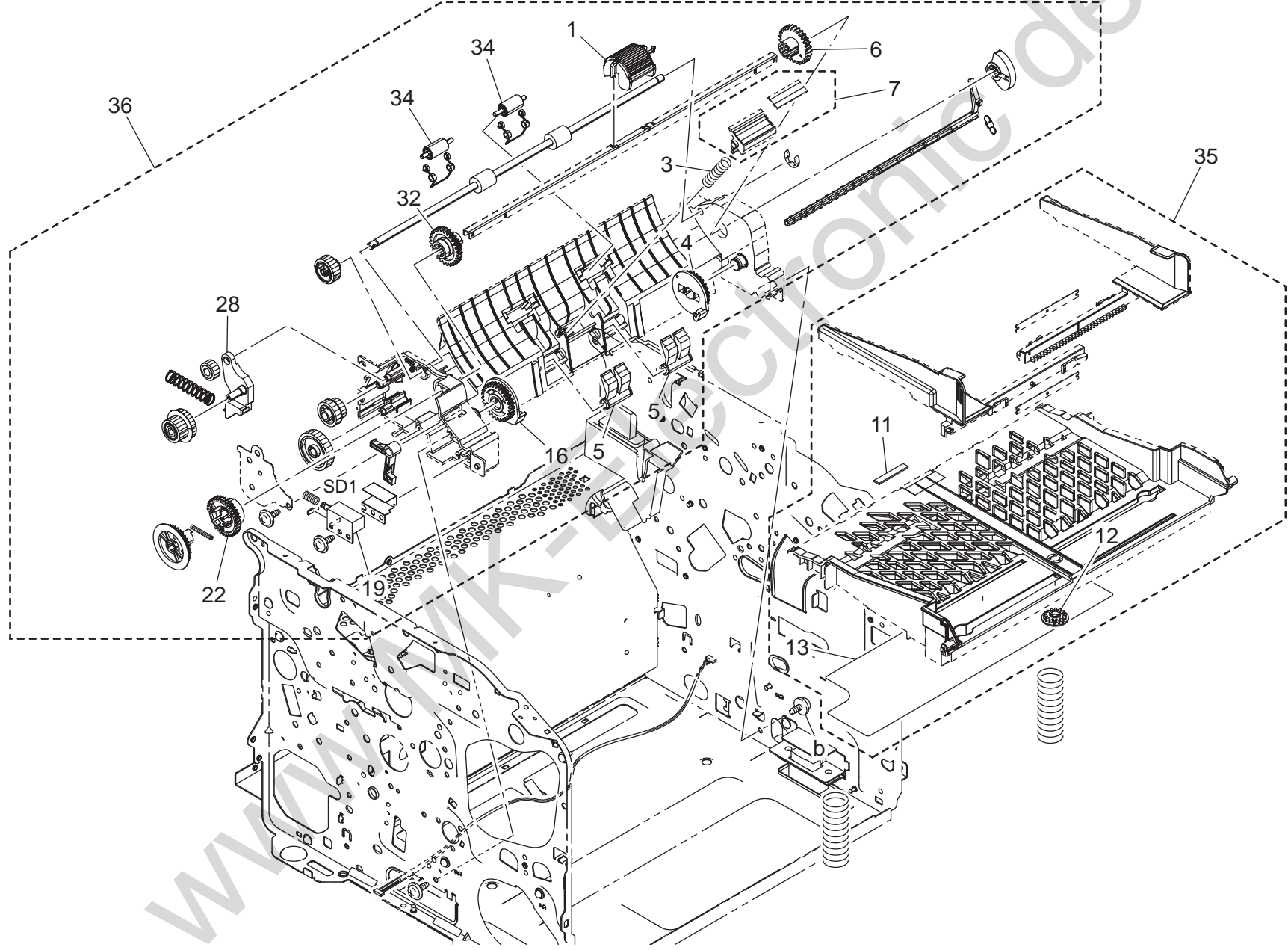
# MAIN FRAME SECTION



# RACK/RACK DRIVE SECTION

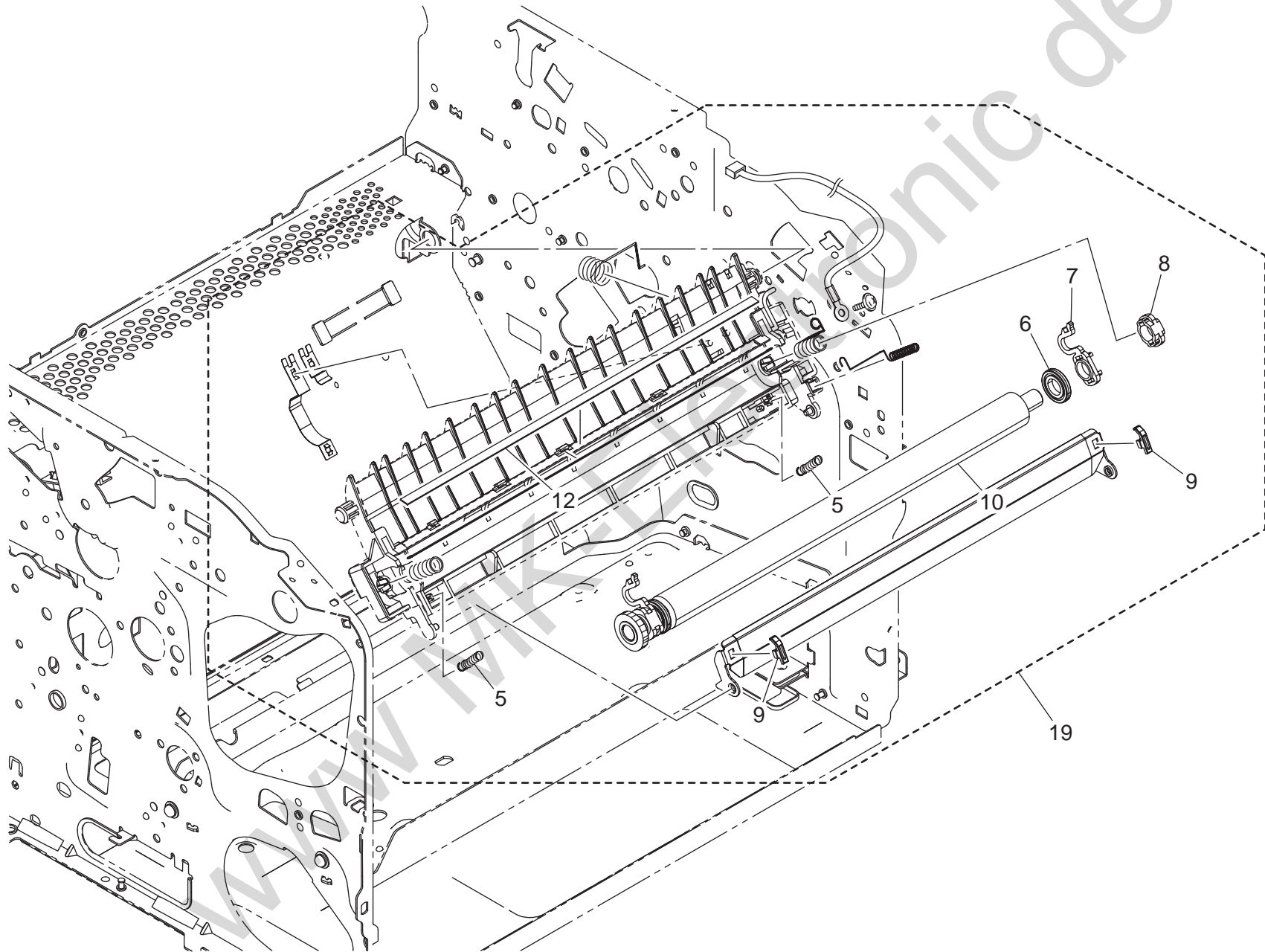


# PAPER TAKE-UP SECTION

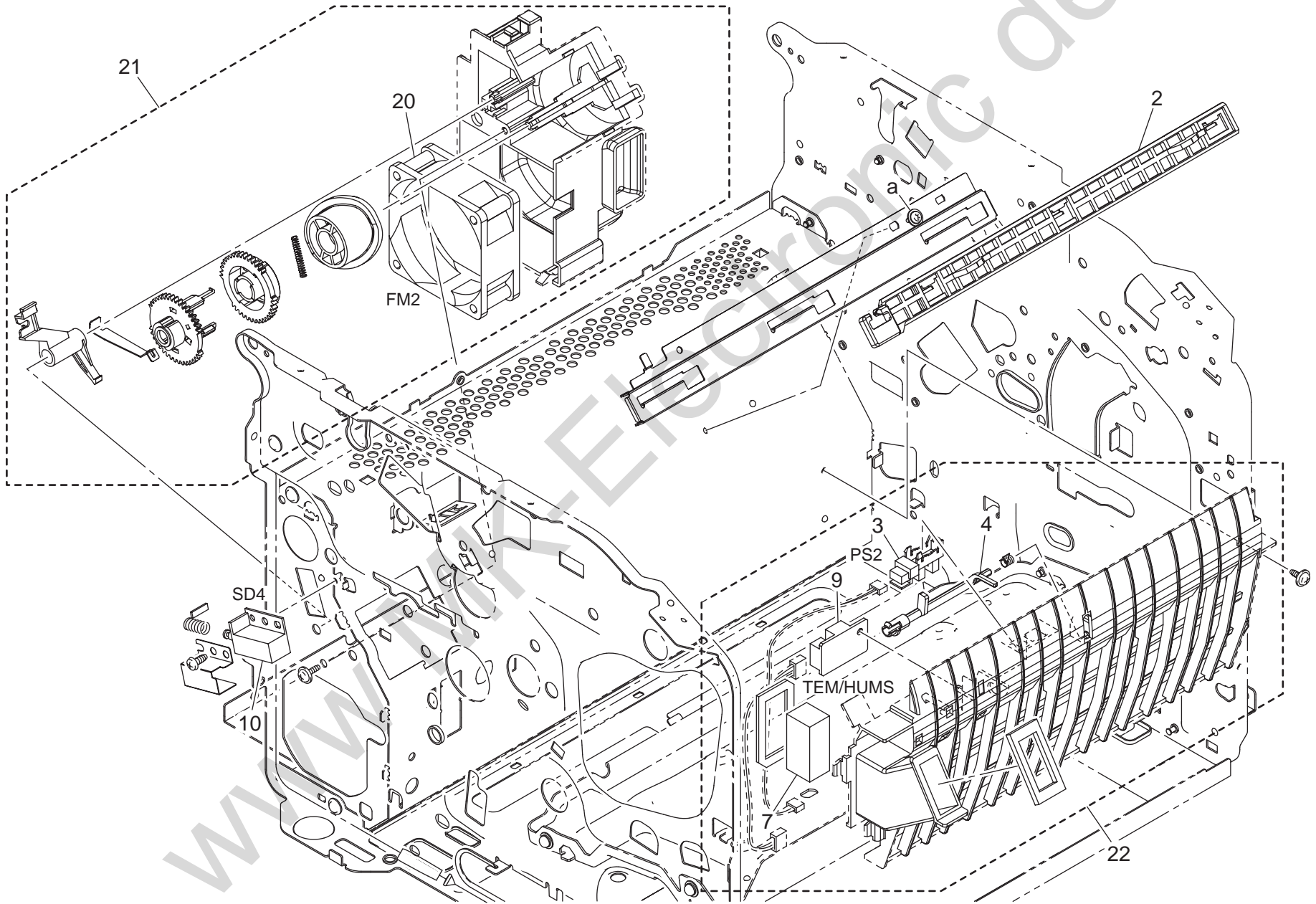




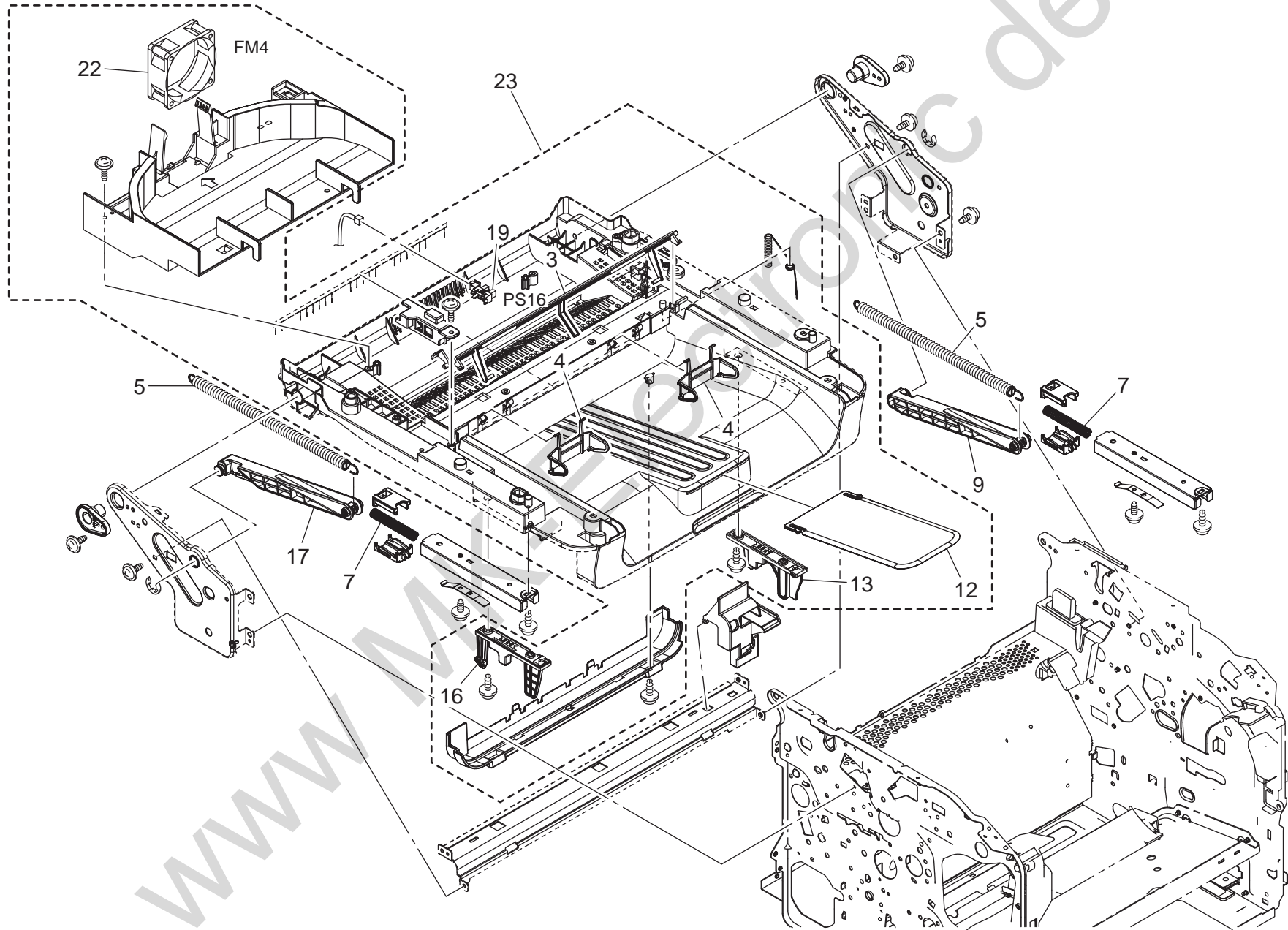
# TRANSFER SECTION\_1



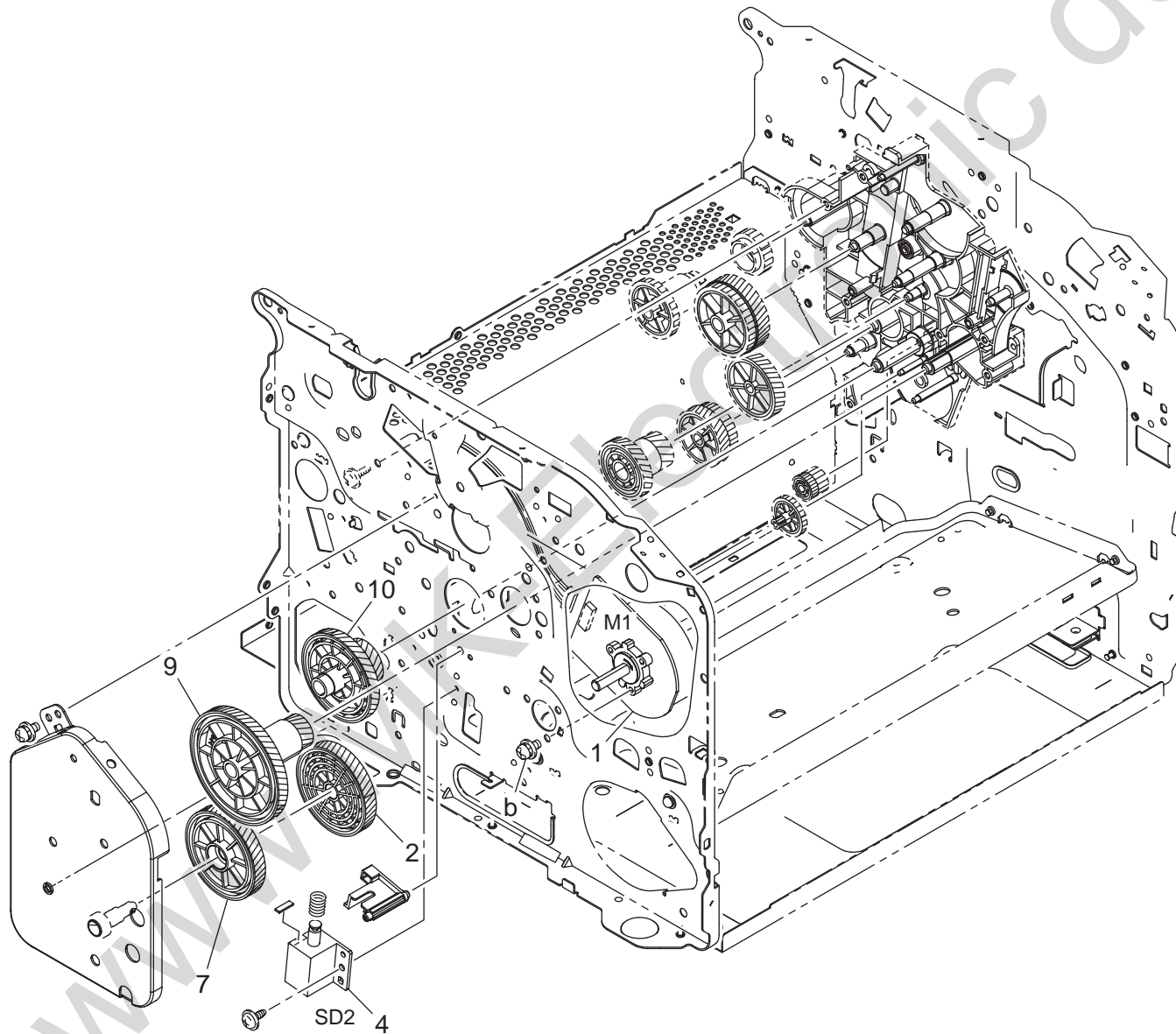
# TRANSFER SECTION\_2



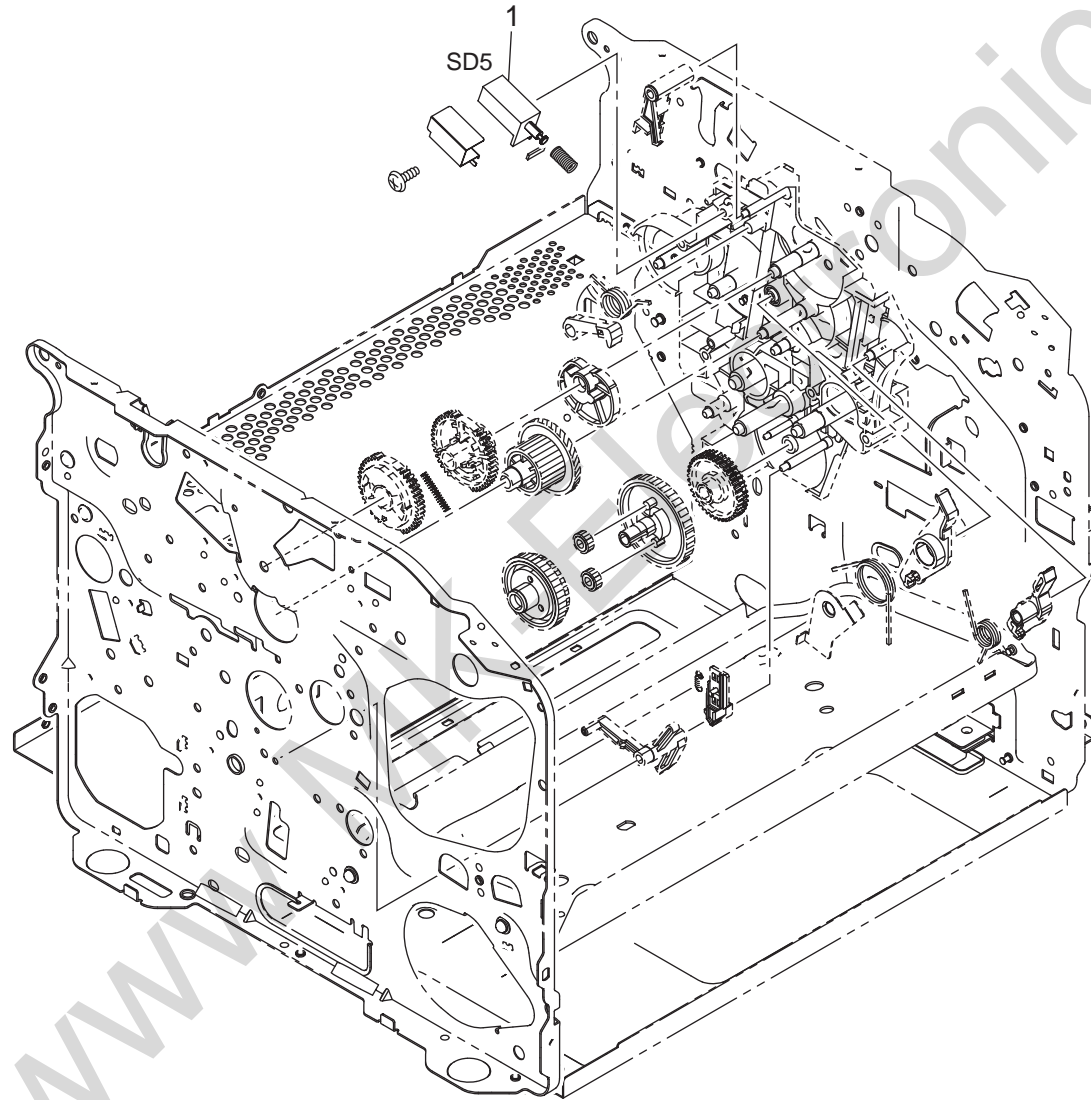
# PAPER EXIT SECTION



# DRIVE SECTION\_1

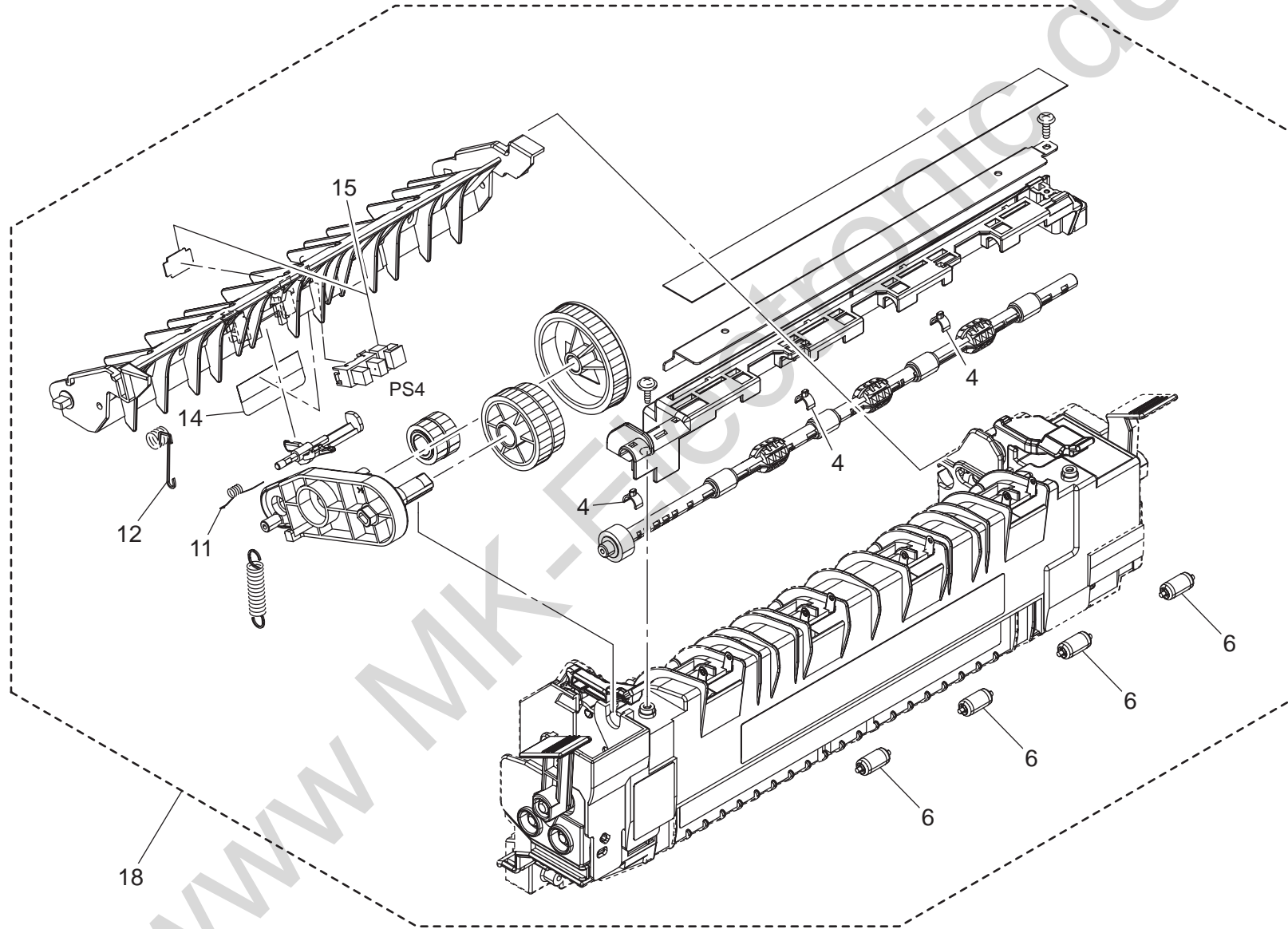


# DRIVE SECTION\_2

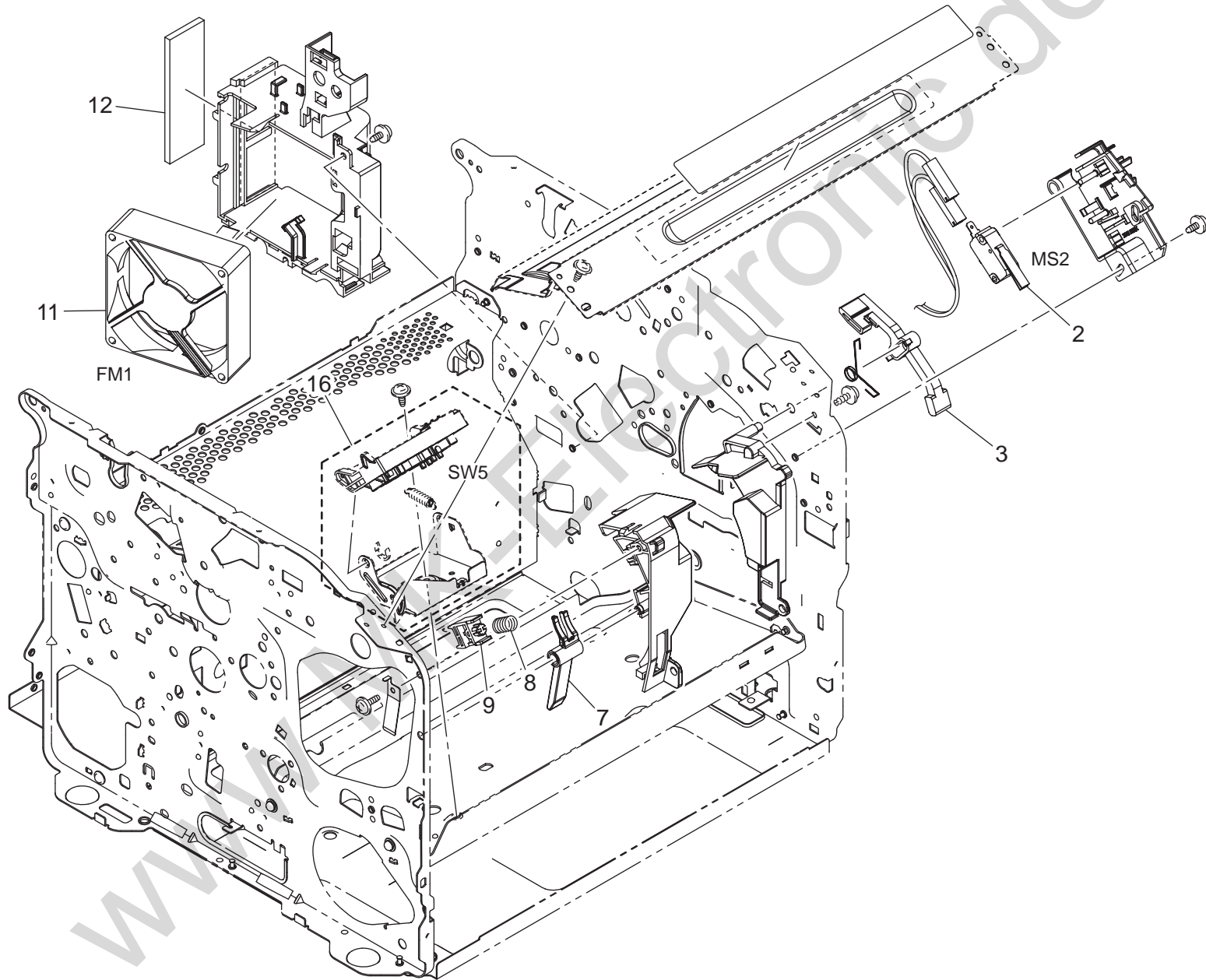




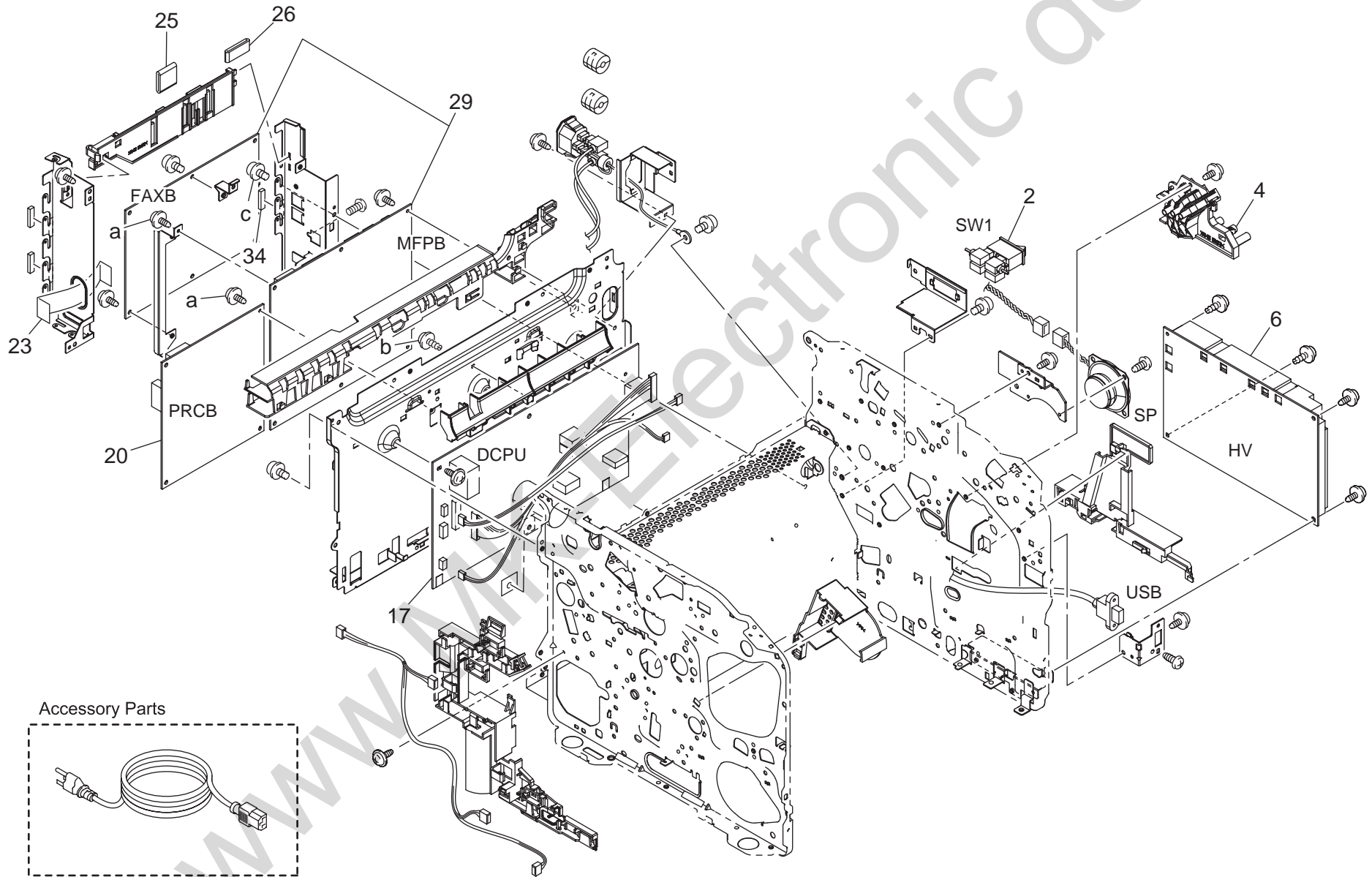
# FUSING SECTION



# COOLING SECTION



# ELECTRICAL COMPONENTS



# OEL Recommended Spare Parts List

MC160



Revision 1

www.MK-Electronic.de

Rev	Unit Name	No.	Part No.	Part Name	Q'ty /Unit	Recommended Qty/Year			Remarks	Del/Add	Remarks for environment
						per 500	per 1000	per 2000			
	ADF UNIT_1	1	44285001	Top Cover	1	2	4	8	A0HF PP78 00		
	ADF UNIT_1	2	44285002	Tray Assy	1	2	4	8	A0HF PP79 00		
	ADF UNIT_1	3	44285003	Roller	1	2	4	8	A0HF PP40 00		
	ADF UNIT_1	4	44285004	Roller	1	2	4	8	A0HF PP39 00		
	ADF UNIT_1	5	44285005	Cover R OKI	1	2	4	8	A0HF PP52 00		
	ADF UNIT_1	6	44285006	ADF Unit OKI	1	2	4	8	A0HF PP48 00		
	ADF UNIT_2	1	44285007	Hinge OKI	1	2	4	8	A0HF PP54 00		
	ADF UNIT_2	3	44285008	Sponge	6	9	18	36	A0HF PP17 00		
	ADF UNIT_2	4	44285009	Pad	1	2	4	8	A0HF PP47 00		
	ADF UNIT_2	5	44285010	Hinge	1	2	4	8	A0HF PP44 00		
	ADF UNIT_2	6	44285011	Roller	1	2	4	8	A0HF PP41 00		
	ADF UNIT_2	7	44285012	Roller	1	2	4	8	A0HF PP42 00		
	ADF UNIT_2	8	44285013	Paper Take-up Assy	1	2	4	8	A0HF PP76 00		
	ADF UNIT_2	9	44285014	Pad Assy OKI	1	2	4	8	A0HF PP53 00		
	IR SECTION	1	44285015	LABEL COPY PROHIBITION	1	2	4	8	4556 9405 00		
	IR SECTION	2	44285046	Operation Panel(OKI)	1	2	4	8	A0HF PP51 00		
	IR SECTION	3	44285016	Cover Assy OKI	1	2	4	8	A0HF PP55 00		
	IR SECTION	4	44285017	Vibrationproof Part	2	3	6	12	A0HF 1117 00		
	IR SECTION	5	44285018	Sheet OKI	4	6	12	24	A0HF PP56 00		
	IR SECTION	8	44285019	Driving Assy	1	2	4	8	A0HF PP26 00		
	IR SECTION	10	44285021	CIS Assy	1	2	4	8	A0HF PP22 00		
	IR SECTION	11	44285022	Timing Belt	1	2	4	8	A0HF PP24 00		
	IR SECTION	12	44285023	Pulley Assy	1	2	4	8	A0HF PP25 00		
	IR SECTION	13	44285024	Scanner Unit 4in1 OKI	1	2	4	8	A0HF PP49 00		
	IR SECTION	14	44285047	Panel Overlay Sheet(ENGLISH)	1	2	4	8	A0HF PP80 00 (English)		
	EXTERNAL PARTS	1	44285026	Cover	1	2	4	8	A0HF 1751 00		
	EXTERNAL PARTS	3	44285025	Cover	1	2	4	8	A0HF 1756 01		
	EXTERNAL PARTS	5	44284908	Lever	2	3	6	12	A034 1610 02		
	EXTERNAL PARTS	7	44284907	Cover Dust Cover	1	12	24	48	A034 1622 01		
	EXTERNAL PARTS	9	44284910	Tray	1	2	4	8	A034 5660 00		
	EXTERNAL PARTS	12	44285029	Cover	1	2	4	8	A0HF 1752 00		
	EXTERNAL PARTS	15	44285027	Cover Rear	1	2	4	8	A034 1618 02		
	EXTERNAL PARTS	16	44284913	Seal	1	2	4	8	A034 1625 00		
	EXTERNAL PARTS	17	44285028	Cover /Rear	1	2	4	8	A0HF 1758 00		



Rev	Unit Name	No.	Part No.	Part Name	Q'ty /Unit	Recommended Qty/Year			Remarks	Del/ Add	Remarks for environment
						per 500	per 1000	per 2000			
	MAIN FRAME SECTION	2	44284915	Print Head Assy	1	12	24	48	A034 R707 00		
	MAIN FRAME SECTION	9	44286606	PHOTO INTERRUPTER	1	12	24	48	9335 1300 61		
	RACK/RACK DRIVE SECTION	5	44284916	Developing Motor	1	2	4	8	A034 M102 01		
	RACK/RACK DRIVE SECTION	12	44286606	PHOTO INTERRUPTER	1	4	8	16	9335 1300 61		
	PAPER TAKE-UP SECTION	1	44284917	ROLLER	1	12	24	48	4139 3062 01		
	PAPER TAKE-UP SECTION	3	44284918	PRESSURE SPRING	1	2	4	8	A00V 5700 00		
	PAPER TAKE-UP SECTION	4	44284919	Cam	1	2	4	8	A034 5634 00		
	PAPER TAKE-UP SECTION	5	44284920	STOPPER	2	3	6	12	4136 3022 01		
	PAPER TAKE-UP SECTION	6	44284921	GEAR 27T	1	2	4	8	4136 3047 01		
	PAPER TAKE-UP SECTION	7	44284922	FRICITION SHEET ASSY	1	12	24	48	4136 0151 02		
	PAPER TAKE-UP SECTION	11	44284923	FRICITION SHEET	1	2	4	8	4139 3027 01		
	PAPER TAKE-UP SECTION	12	44284924	GEAR 14T	1	2	4	8	4127 3104 01		
	PAPER TAKE-UP SECTION	13	44284925	Seal	1	2	4	8	A034 5650 00		
	PAPER TAKE-UP SECTION	16	44284926	Cam	1	2	4	8	A034 5635 00		
	PAPER TAKE-UP SECTION	19	44284927	Paperfeed Solenoid	1	2	4	8	A034 M200 00		
	PAPER TAKE-UP SECTION	22	44284928	Gear 36T	1	2	4	8	A034 5617 00		
	PAPER TAKE-UP SECTION	28	44284929	Lever	1	2	4	8	A034 5624 00		
	PAPER TAKE-UP SECTION	32	44284930	GEAR 27T	1	2	4	8	4136 3048 01		
	PAPER TAKE-UP SECTION	34	44284931	Conveyance Roll	2	3	6	12	A034 5612 00		
	PAPER TAKE-UP SECTION	35	44284932	Lifting Plate Assy(Generic)	1	2	4	8	A034 R726 00		
	PAPER TAKE-UP SECTION	36	44284933	Paper Feed Assy	1	12	24	48	A034 R701 00		
	TRANSFER SECTION 1	5	44284934	PRESSURE SPRING	2	3	6	12	4139 4004 01		
	TRANSFER SECTION 1	6	44284935	ROLL	1	2	4	8	A034 4602 00		
	TRANSFER SECTION 1	7	44284936	Holder	1	2	4	8	A034 4605 00		
	TRANSFER SECTION 1	8	44284937	Bushing	1	2	4	8	A034 4610 00		
	TRANSFER SECTION 1	9	44284938	SPACER	2	3	4	8	4139 4009 01		
	TRANSFER SECTION 1	10	44284939	Transfer Roller	1	12	24	48	A034 R711 11		
	TRANSFER SECTION 1	12	44284940	NEUTRALIZING MEMBER	1	2	4	8	4139 4021 02		
	TRANSFER SECTION 1	19	44284941	2nd Transfer Assy	1	2	4	8	A034 R700 00		
	TRANSFER SECTION 2	2	44284942	Slide Plate	1	2	4	8	A034 4705 01		
	TRANSFER SECTION 2	3	44286606	PHOTO INTERRUPTER	1	12	24	48	9335 1300 61		
	TRANSFER SECTION 2	4	44284943	Actuator	1	2	4	8	A034 7002 00		
	TRANSFER SECTION 2	7	44284944	Filter	1	2	4	8	A034 1507 00		
	TRANSFER SECTION 2	9	44284945	Humidity sensor	1	2	4	8	A034 M500 00		

Rev	Unit Name	No.	Part No.	Part Name	Q'ty /Unit	Recommended Qty/Year			Remarks	Del/ Add	Remarks for environment
						per 500	per 1000	per 2000			
	TRANSFER SECTION 2	10	44284927	Paperfeed Solenoid	1	2	4	8	A034 M200 00		
	TRANSFER SECTION 2	20	44284946	FAN MOTOR	1	4	8	16	4556 M100 00		
	TRANSFER SECTION 2	21	44284947	Guide Assy	1	2	4	8	A034 R710 00		
	TRANSFER SECTION 2	22	44284948	Guide Assy	1	2	4	8	A034 R708 00		
	PAPER EXIT SECTION	3	44285030	Actuator	1	2	4	8	A0HF 1125 01		
	PAPER EXIT SECTION	4	44285031	Holding Guide	2	3	6	12	A0HF 1126 01		
	PAPER EXIT SECTION	5	44285032	Pulling Coil spring	2	3	6	12	A0HF 1123 00		
	PAPER EXIT SECTION	7	44285033	Compressing Coil spring	2	3	6	12	A0HF 1144 00		
	PAPER EXIT SECTION	9	44285034	Balancer /Right	1	2	4	8	A0HF 1135 00		
	PAPER EXIT SECTION	12	44285035	Paper exit Tray	1	2	4	8	A0HF 1757 00		
	PAPER EXIT SECTION	13	44285036	Lever /Right	1	2	4	8	A0HF 1754 00		
	PAPER EXIT SECTION	16	44285037	Lever /Left	1	2	4	8	A0HF 1755 00		
	PAPER EXIT SECTION	17	44285038	Balancer /Left	1	2	4	8	A0HF 1136 00		
	PAPER EXIT SECTION	19	44286606	PHOTO INTERRUPTER	1	12	24	48	9335 1300 61		
	PAPER EXIT SECTION	22	44284946	FAN MOTOR	1	4	8	16	4556 M100 00		
	PAPER EXIT SECTION	23	44285039	Upper Cover Assy (AIO Gene)	1	2	4	8	A0HF R722 11		
	DRIVE SECTION_1	1	44284953	Motor	1	2	4	8	A034 M100 00		
	DRIVE SECTION_1	2	44284954	Gear 91T	1	2	4	8	A034 2104 00		
	DRIVE SECTION_1	4	44286722	Conveyance Solenoid	1	2	4	8	A034 M201 00		
	DRIVE SECTION_1	7	44284955	Gear 91T	1	2	4	8	A034 2102 00		
	DRIVE SECTION_1	9	44284956	Gear 20/117T	1	2	4	8	A034 2103 00		
	DRIVE SECTION_1	10	44284957	Gear 28/91T	1	2	4	8	A034 2105 00		
	DRIVE SECTION_2	1	44284927	Paperfeed Solenoid	1	2	4	8	A034 M200 00		
	FUSING SECTION	4	44284963	Bushing	3	4	8	16	A034 8913 00		
	FUSING SECTION	6	44284964	ROLL	4	6	12	24	4139 3910 01		
	FUSING SECTION	11	44284965	Spring	1	2	4	8	A034 7213 00		
	FUSING SECTION	12	44284966	Torsion Coil spring	1	2	4	8	A034 7241 01		
	FUSING SECTION	14	44284967	Seal	1	2	4	8	A034 7281 00		
	FUSING SECTION	15	44284968	PHOTO INTERRUPTER	1	12	24	48	A034 R900 00		
	FUSING SECTION	18	44285040	FUSING(AIO-230V)	1	12	24	48	A12J V22 (EUROPE)		
	COOLING SECTION	2	44284971	MICRO SWITCH	1	2	4	8	9J06 M601 00		
	COOLING SECTION	3	44284972	Lever	1	2	4	8	A034 1311 01		
	COOLING SECTION	7	44284973	Lock Lever	1	2	4	8	A034 2333 00		
	COOLING SECTION	8	44284974	Compressing Coil spring	1	2	4	8	A034 2331 00		

Rev	Unit Name	No.	Part No.	Part Name	Q'ty /Unit	Recommended Qty/Year			Remarks	Del/ Add	Remarks for environment
						per 500	per 1000	per 2000			
	COOLING SECTION	9	44284975	Lock Claw	1	2	4	8	A034 2330 00		
	COOLING SECTION	11	44284976	FAN MOTOR	1	4	8	16	4139 M100 00		
	COOLING SECTION	12	44284977	Filter	1	2	4	8	A034 1508 00		
	COOLING SECTION	16	44284978	CSIC Contact Assy	1	12	24	48	A034 R721 00		
	ELECTRICAL COMPONENTS	2	44284979	Rocker switch	1	2	4	8	A034 M602 00		
	ELECTRICAL COMPONENTS	4	44284980	Rack Contact Assy	1	2	4	8	A034 R704 00		
	ELECTRICAL COMPONENTS	6	44284981	High voltage unit	1	12	24	48	A034 M404 01		
	ELECTRICAL COMPONENTS	17	44284984	Power supply_200V_C130_EU ROPE	1	12	24	48	A034 M403 01 (EUROPE)		
	ELECTRICAL COMPONENTS	20	44285042	PWB Assembly (PWB-A Assy)	1	12	24	48	A034 H009 07		
	ELECTRICAL COMPONENTS	23	44284988	Wiring_C130	1	2	4	8	A034 N117 00		
	ELECTRICAL COMPONENTS	25	44285043	Ferritecore	1	2	4	8	A0HF M730 00		
	ELECTRICAL COMPONENTS	26	44285044	Ferritecore	1	2	4	8	A0HF M731 00		
	ELECTRICAL COMPONENTS	29	44285045	Controller assy	1	12	24	48	A0HF R704 11		

www.mk-electronics.com

01

# C130n/MC160n Duplex Unit Disassembly for Maintenance

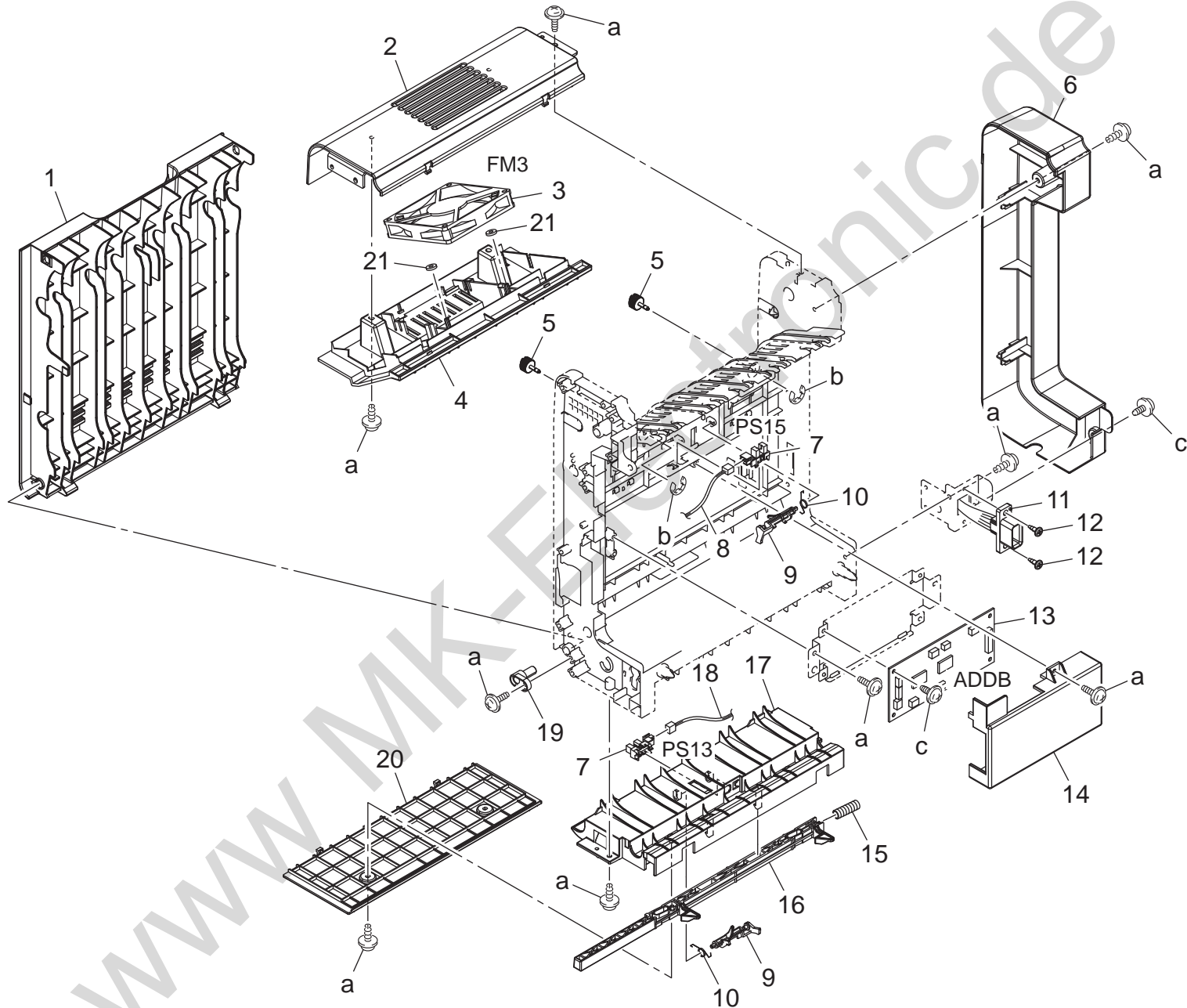
[Rev.1]

BOM		Use for		Certification Body	
Rev	Date	DCO No.	Contents	Design	Approval
Approval	Koji Aida		Design	Koji Aida	
Check					
Date	2009-02-24		<b>Oki Data Corporation</b>		Name <b>C130n/MC160n Duplex Unit          Disassembly for Maintenance</b>
			Drawing No.	<b>44244801TL</b>	1 / 4

6  
5  
4  
3  
2  
1

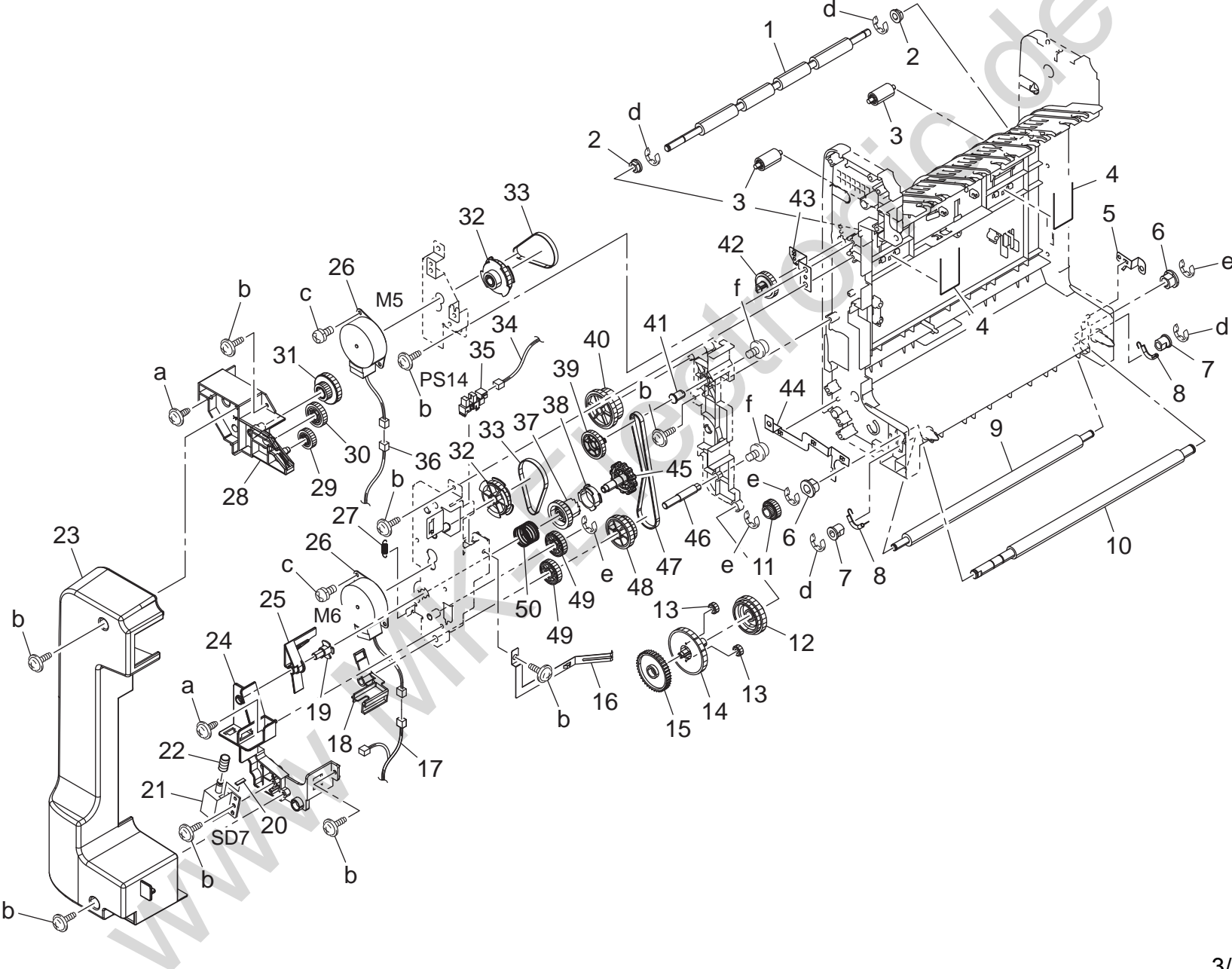
# EXTERNAL PARTS

Oki Data CONFIDENTIAL





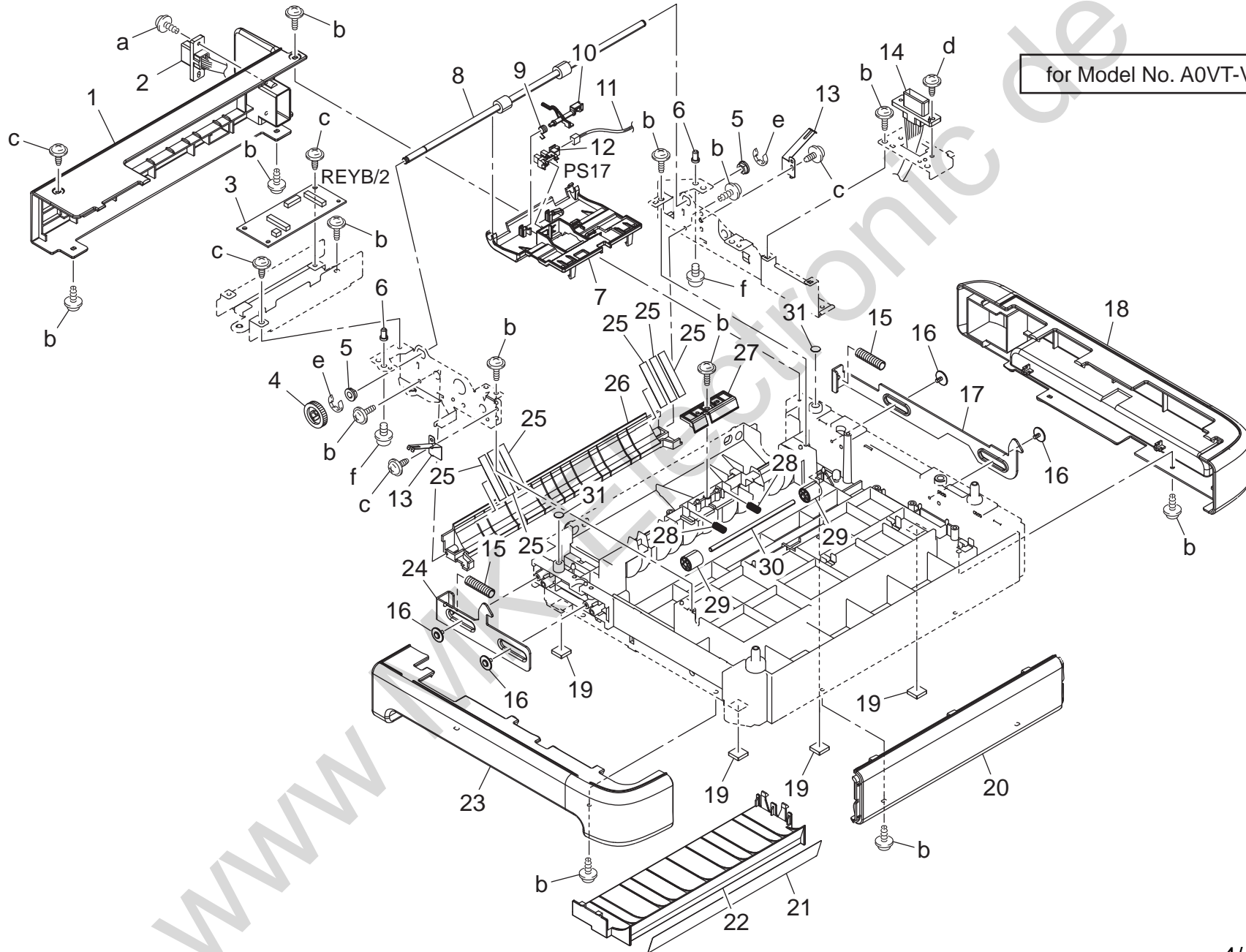
DRIVE AND TRANSFER SECTION



# DUP ATTACHMENT SECTION

Oki Data CONFIDENTIAL

for Model No. A0VT-VY2



# OEL Recommended Spare Parts List

C130 / MC160  
Duplex Unit

Revision 1

[www.MK-Electronic.de](http://www.MK-Electronic.de)

Unit Name	No.	Part No.	Part Name	Q'ty /Unit	Recommended Q'ty/Year			Remarks	Del/ Add	Remarks for environment
					per 500	per 1000	per 2000			
EXTERNAL PARTS	1	44286701	Cover	1	2	4	8	A0VT 8174 01		
EXTERNAL PARTS	3	44286702	Fan	1	2	4	8	A0VT M101 00		
EXTERNAL PARTS	5	44286703	Screw	2	3	6	12	A0VT 8157 03		
EXTERNAL PARTS	7	44286606	PHOTO INTERRUPTER	2	6	12	24	9335 1300 61		
EXTERNAL PARTS	9	44286704	ACTUATOR	2	3	6	12	4575 3706 01		
EXTERNAL PARTS	10	44286705	TORSION SPRING	2	3	6	12	4143 3707 03		
EXTERNAL PARTS	13	44286707	PWB Assembly(PWB-D Assy)	1	12	24	48	A0VT H010 00		
EXTERNAL PARTS	19	44286708	Guide Part	1	2	4	8	A0VT 8116 00		
DRIVE AND TRANSFER	1	44286709	ROLLER	1	2	4	8	4057 3722 02		
DRIVE AND TRANSFER	2	44286710	BUSHING	2	3	6	12	4030 3093 01		
DRIVE AND TRANSFER	3	44286711	ROLL	2	3	6	12	4143 3720 01		
DRIVE AND TRANSFER	4	44286712	SPRING	2	3	6	12	4143 3721 01		
DRIVE AND TRANSFER	6	44286713	BUSHING	2	3	6	12	4057 3726 01		
DRIVE AND TRANSFER	7	44286714	BUSHING	2	3	6	12	4517 2101 00		
DRIVE AND TRANSFER	8	44286715	TENSION SPRING	2	3	6	12	4168 3585 01		
DRIVE AND TRANSFER	9	44286716	ROLLER	1	2	4	8	4517 3858 02		
DRIVE AND TRANSFER	10	44286717	ROLLER	1	2	4	8	4517 3857 03		
DRIVE AND TRANSFER	12	44286718	Gear 54/42T	1	2	4	8	A034 2108 00		
DRIVE AND TRANSFER	13	44286719	Gear 17T	2	3	6	12	A034 2109 00		
DRIVE AND TRANSFER	14	44286720	Gear 52T	1	2	4	8	A034 2110 00		
DRIVE AND TRANSFER	15	44286721	Ratchet	1	2	4	8	A0VT 8133 00		
DRIVE AND TRANSFER	21	44286722	Conveyance Solenoid	1	2	4	8	A034 M201 00		
DRIVE AND TRANSFER	26	44286723	Motor	2	3	6	12	A0VT M100 00		
DRIVE AND TRANSFER	35	44286606	PHOTO INTERRUPTER	1	4	8	16	9335 1300 61		
DRIVE AND TRANSFER	37	44286724	Gear 30T	1	2	4	8	A0VT 8150 00		
DRIVE AND TRANSFER	45	44286725	Knob	1	2	4	8	A0VT 8120 00		
DRIVE AND TRANSFER	50	44286726	Compressing Coil spring	1	2	4	8	A0VT 8151 01		
DUP ATTACHMENT SECTION	3	44286727	PWB Assembly(PWB-C Assy)	1	12	24	48	A0VP H012 00		
DUP ATTACHMENT SECTION	4	44286616	GEAR 22T	1	2	4	8	4198 3831 01		
DUP ATTACHMENT SECTION	5	44286608	BUSHING	2	3	6	12	4156 3838 01		
DUP ATTACHMENT SECTION	12	44286606	PHOTO INTERRUPTER	1	4	8	16	9335 1300 61		
DUP ATTACHMENT SECTION	16	44286603	SCREW	4	6	12	24	4036 5966 01		
DUP ATTACHMENT SECTION	20	44286728	Front Cover	1	2	4	8	A0VT 6375 00		
DUP ATTACHMENT SECTION	25	44286607	GUIDE	6	9	18	36	4056 3113 01		
DUP ATTACHMENT SECTION	28	44286604	PRESSURE SPRING	2	3	6	12	0933 3839 02		
DUP ATTACHMENT SECTION	29	44286605	ROLL	2	3	6	12	0933 3840 02		

01

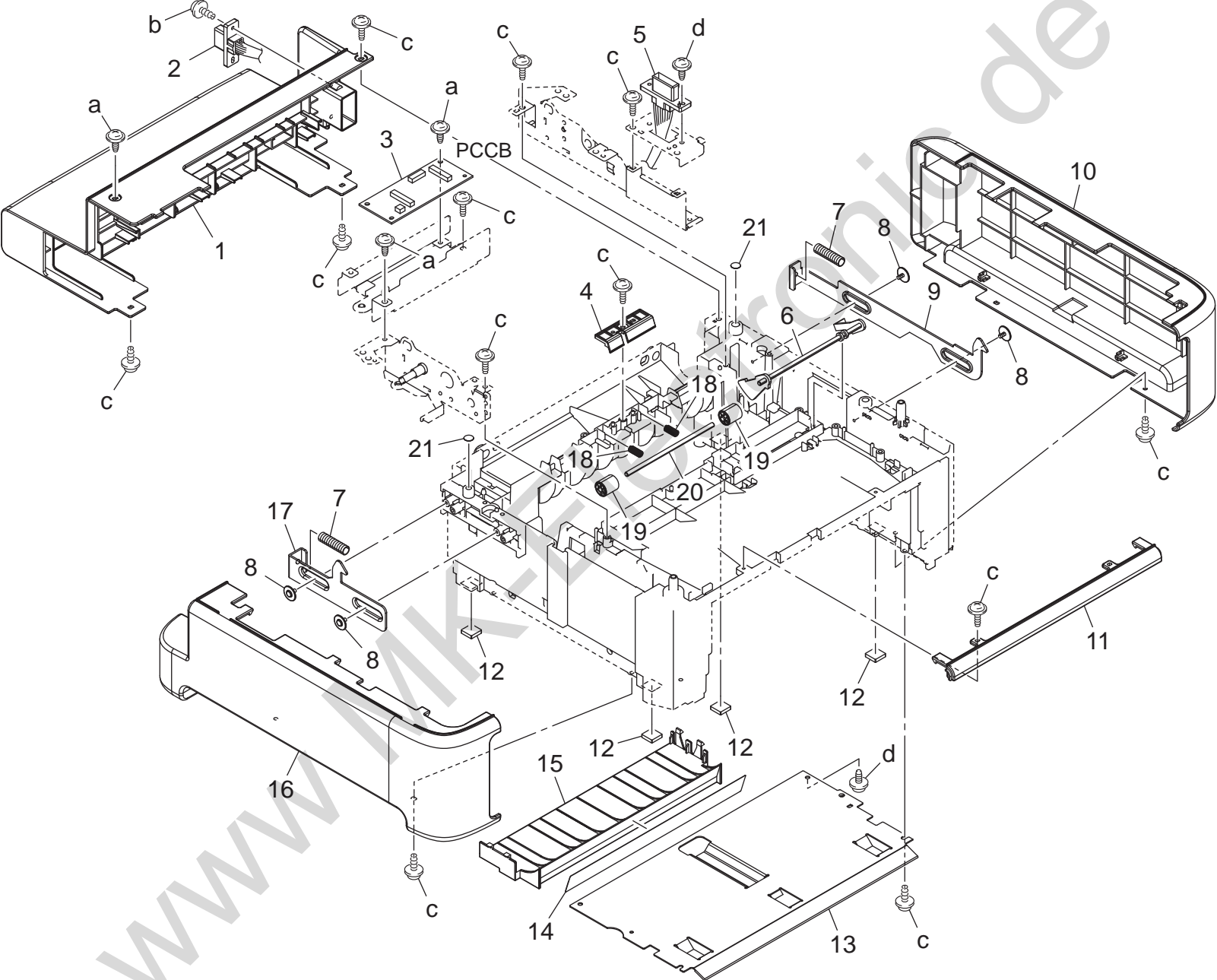
# C130n/MC160n 2nd Tray Disassembly for Maintenance

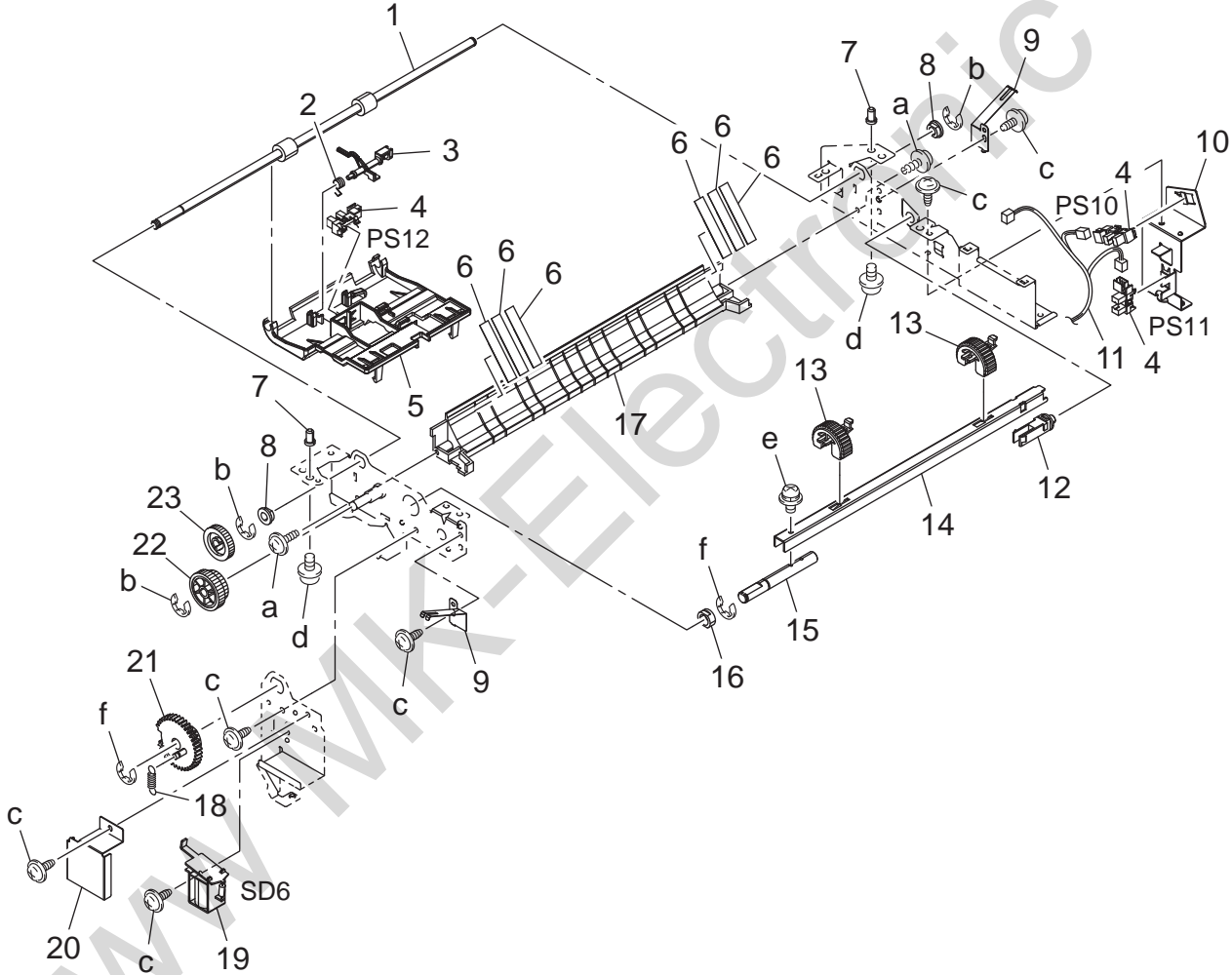
[Rev.1]

BOM		Use for		Certification Body	
Rev	Date	DCO No.	Contents	Design	Approval
Approval	Koji Aida		Design	Koji Aida	
Check					
Date	2009-02-24		<b>Oki Data Corporation</b>		Name <b>C130n/MC160n 2nd Tray          Disassembly for Maintenance</b>
			Drawing No.	<b>44244901TL</b>	1/4

6  
5  
4  
3  
2  
1

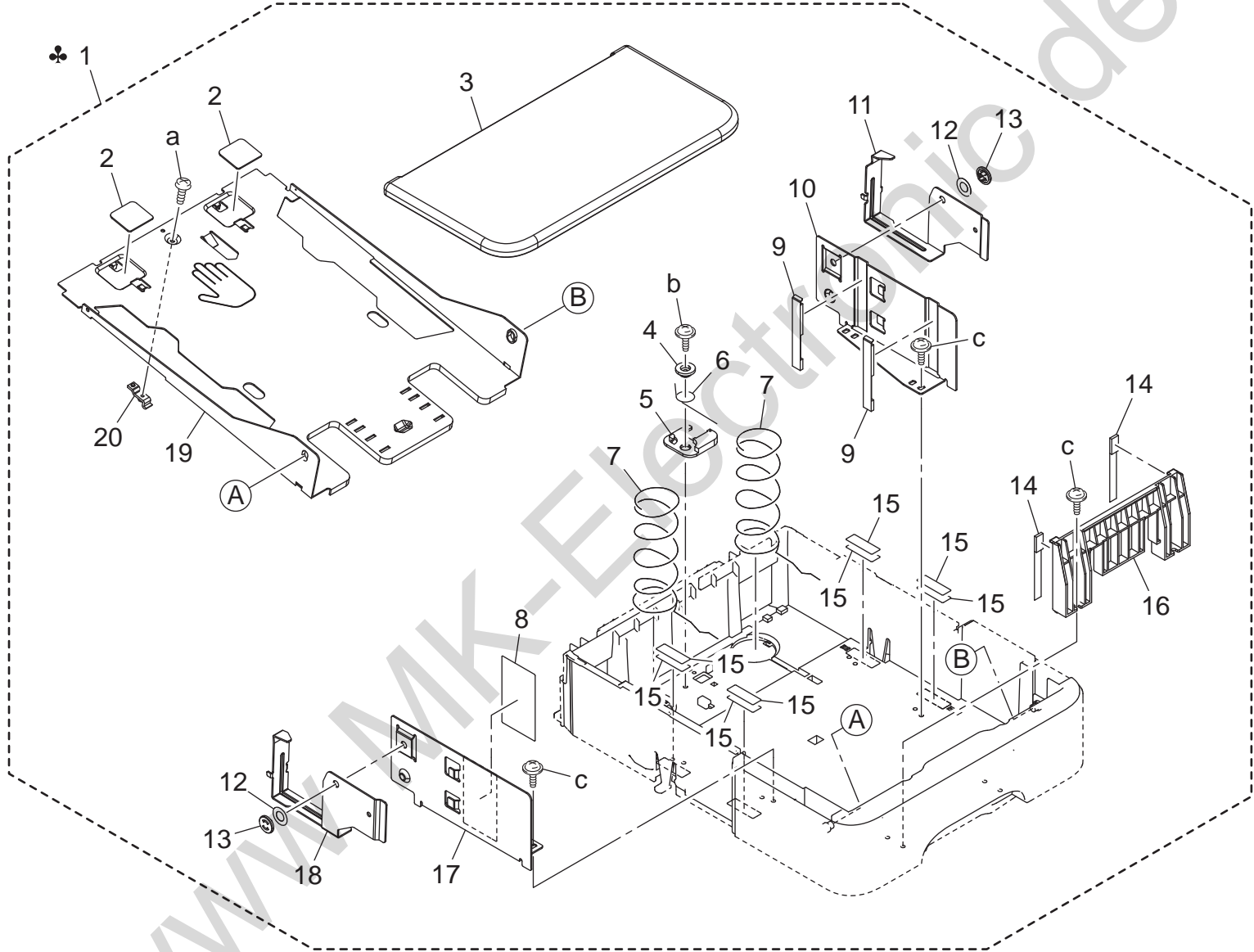
EXTERNAL PARTS







PAPER CASSETTE SECTION



# OEL Recommended Spare Parts List

C130 / MC160  
2<sup>nd</sup> Tray

Revision 1

[www.MK-Electronic.de](http://www.MK-Electronic.de)

Unit Name	No.	Part No.	Part Name	Q'ty /Unit	Recommended Q'ty/Year			Remarks	Del/A dd	Remarks for environment
					per 500	per 1000	per 2000			
EXTERNAL PARTS	3	44286601	PWB Assembly(PWB-C Assy)	1	12	24	48	A0VP H011 00		
EXTERNAL PARTS	6	44286602	ACTUATOR	1	2	4	8	4516 3809 01		
EXTERNAL PARTS	18	44286604	PRESSURE SPRING	2	3	6	12	0933 3839 02		
EXTERNAL PARTS	19	44286605	ROLL	2	3	6	12	0933 3840 02		
PAPER TAKE-UP SECTION	4	44286606	PHOTO INTERRUPTER	3	6	12	24	9335 1300 61		
PAPER TAKE-UP SECTION	6	44286607	GUIDE	6	9	18	36	4056 3113 01		
PAPER TAKE-UP SECTION	8	44286608	BUSHING	2	3	6	12	4156 3838 01		
PAPER TAKE-UP SECTION	12	44286609	SHAFT	1	2	4	8	4498 3334 01		
PAPER TAKE-UP SECTION	13	44286610	ROLLER	2	6	12	24	4198 3802 01		
PAPER TAKE-UP SECTION	16	44286611	BUSHING	1	2	4	8	1200 3131 07		
PAPER TAKE-UP SECTION	18	44286612	TENSION SPRING	1	2	4	8	4165 3816 01		
PAPER TAKE-UP SECTION	19	44286613	SOLENOID	1	2	4	8	9321 2400 31		
PAPER TAKE-UP SECTION	21	44286614	GEAR 38T	1	2	4	8	4198 3815 01		
PAPER TAKE-UP SECTION	22	44286615	Gear 20/26T	1	2	4	8	A0VP 6239 00		
PAPER TAKE-UP SECTION	23	44286616	GEAR 22T	1	2	4	8	4198 3831 01		
PAPER CASSETTE SECTION	2	44286617	FRICTION PLATE	2	3	6	12	4165 3920 01		
PAPER CASSETTE SECTION	3	44286618	Cover	1	2	4	8	A0VP 6206 01		
PAPER CASSETTE SECTION	4	44286619	COLLAR	1	2	4	8	4165 3925 01		
PAPER CASSETTE SECTION	5	44286620	CAM	1	2	4	8	4165 3924 01		
PAPER CASSETTE SECTION	6	44286621	TORSION SPRING	1	2	4	8	4165 3926 01		
PAPER CASSETTE SECTION	7	44286622	PRESSURE SPRING	2	3	6	12	4166 3962 01		
PAPER CASSETTE SECTION	9	44286623	CUSHION	2	3	6	12	4165 3916 01		
PAPER CASSETTE SECTION	11	44286624	SEPARATOR	1	2	4	8	4165 3913 05		
PAPER CASSETTE SECTION	12	44286625	WASHER	2	3	6	12	1200 1562 04		
PAPER CASSETTE SECTION	13	44286626	PIN	2	3	6	12	4165 3915 01		
PAPER CASSETTE SECTION	14	44286627	CUSHION	2	3	6	12	4165 3918 02		
PAPER CASSETTE SECTION	15	44286628	SPACER	8	12	24	48	4165 3927 01		
PAPER CASSETTE SECTION	18	44286629	SEPARATOR	1	2	4	8	4165 3914 05		