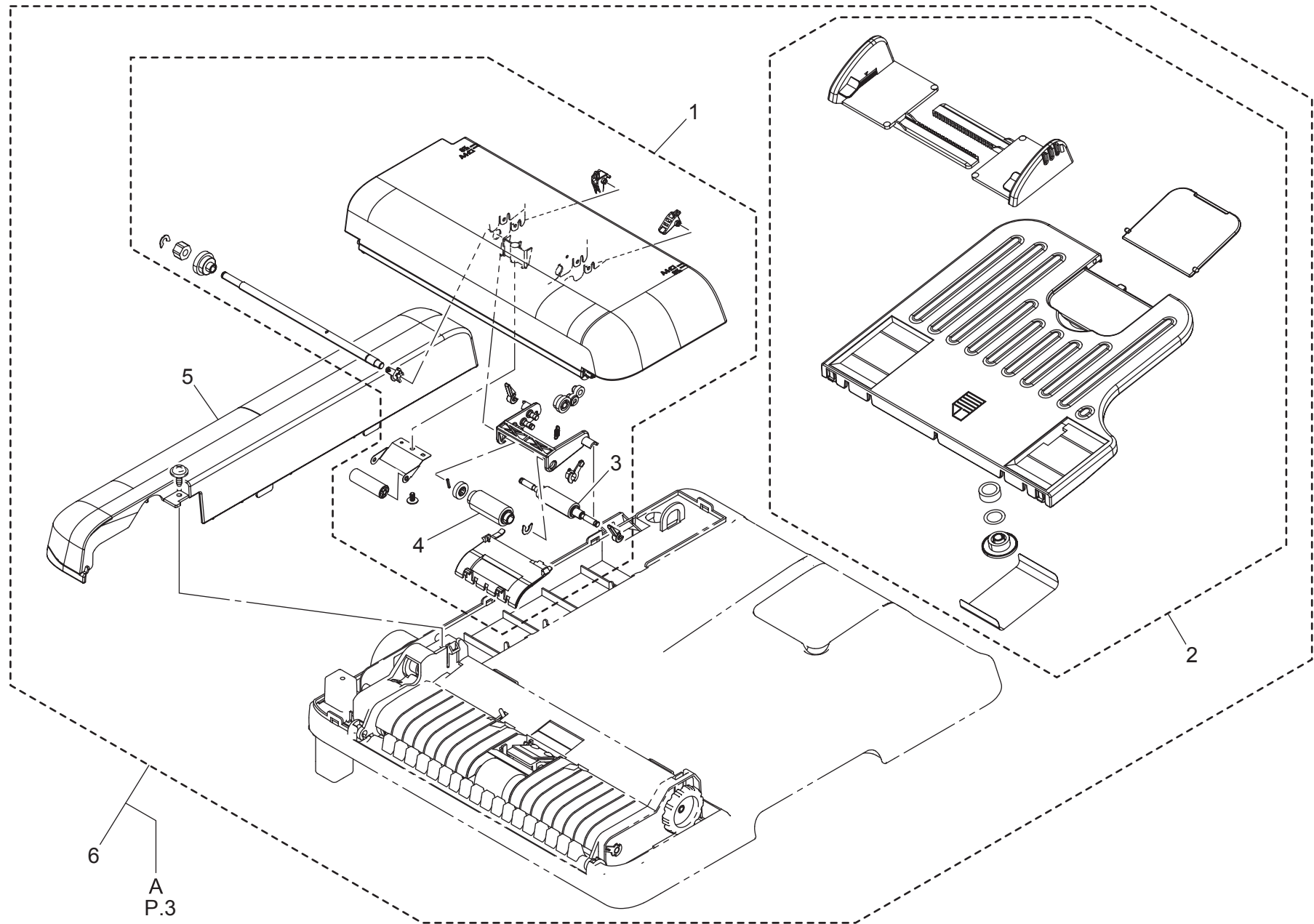


MC160MFP

Spare Parts Illustration Manual

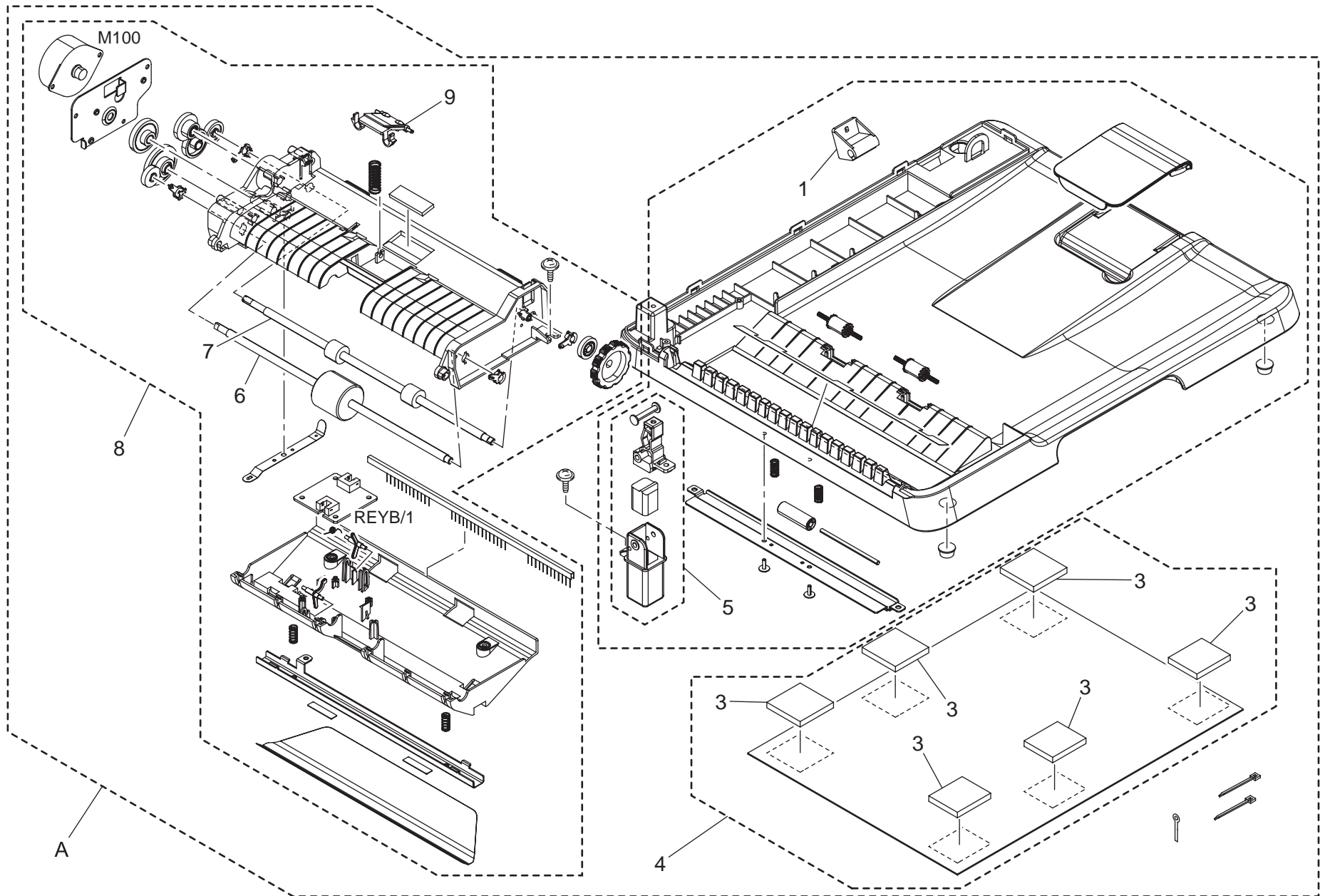
011910A

ADF UNIT_1



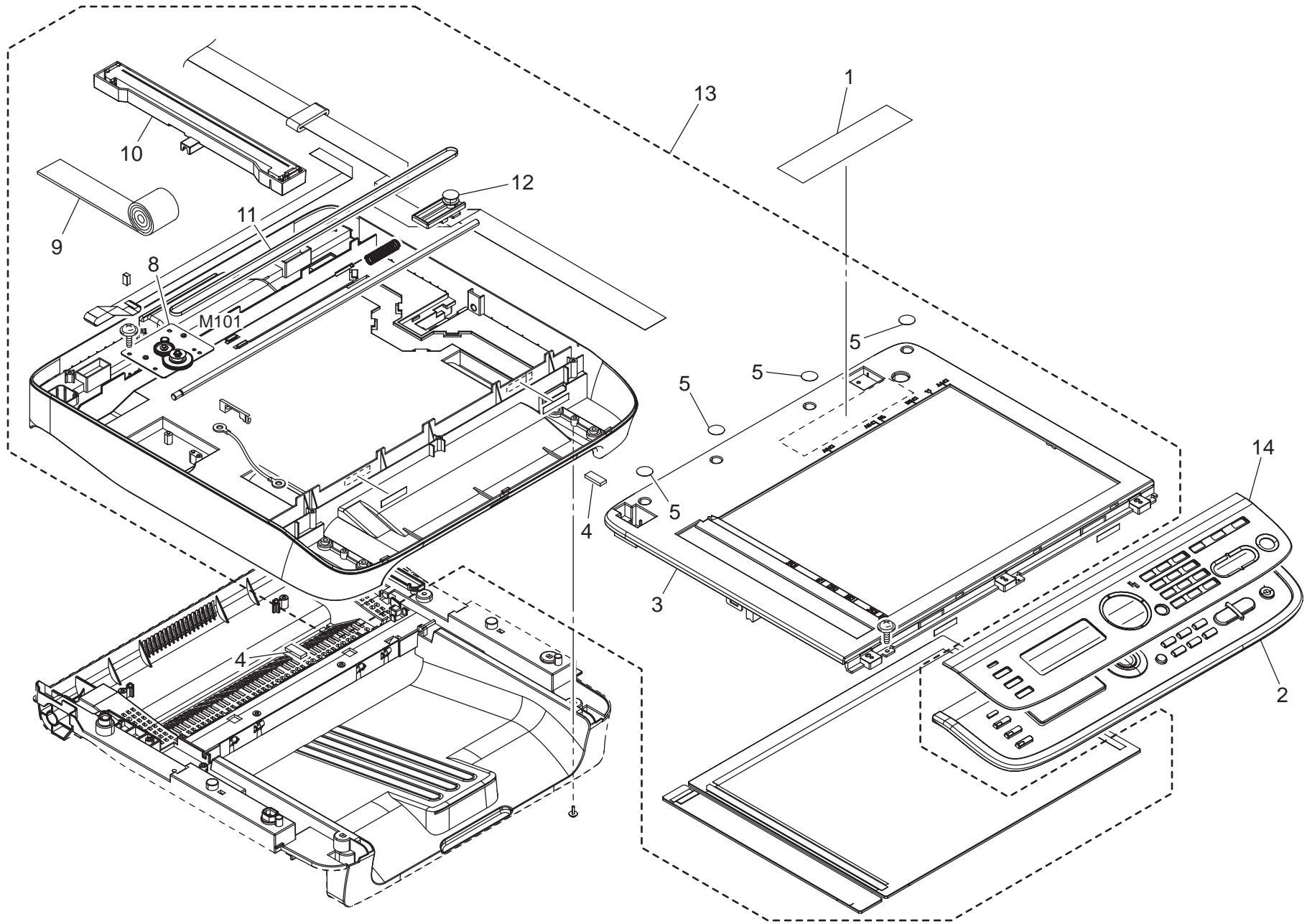
No.	Part No.	Part Name	Q'ty / Unit	Recommended Q'ty/Year			Remarks
				per 500	per 1000	per 2000	
1	44285001	Top Cover	1	12	24	48	
2		Tray Assy	1	3	6	12	
3	44285003	Roller	1	2	4	8	
4	44285004	Roller	1	2	4	8	
5		Cover R OKI	1	2	4	8	
6		ADF Unit OKI	1	12	24	48	

ADF UNIT_2



No.	Part No.	Part Name	Q'ty / Unit	Recommended Q'ty/Year			Remarks
				per 500	per 1000	per 2000	
1		Hinge OKI	1	2	4	8	
3		Sponge	1	12	24	48	
4	44285009	Pad	1	2	4	8	
5		Hinge		2	4	8	
6	44285011	Roller		3	6	12	
7	44285012	Roller		2	4	8	
8		Paper Take-up Assy		12	24	48	
9	44285014	Pad Assy OKI		2	4	8	

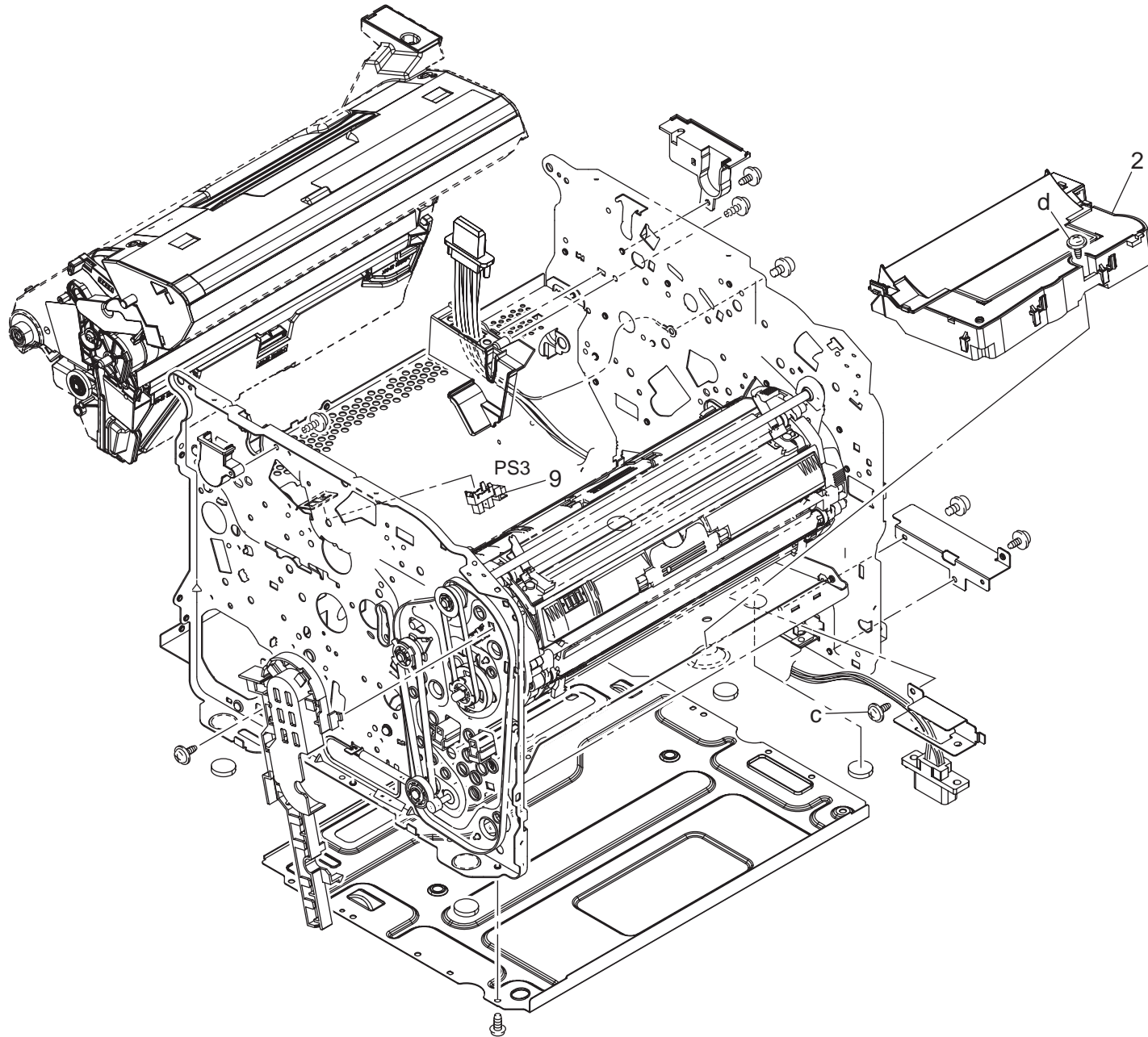
IR SECTION



No.	Part No.	Part Name	Q'ty / Unit	Recommended Q'ty/Year			Remarks
				per 500	per 1000	per 2000	
1		LABEL COPY PROHIBITION		2	4	8	
2	44285046	Operation Panel(OKI)		4	8	16	
3		Cover Assy OKI		2	4	8	
4		Vibrationproof Part		12	24	48	
5		Sheet OKI		2	4	8	
8		Driving Assy		2	4	8	
9		Tape		12	24	48	
10		CIS Assy		12	24	48	
11		Timing Belt		12	24	48	
12		Pulley Assy		2	4	8	
13		Scanner Unit 4in1 OKI		12	24	48	
14		Panel Overlay Sheet(ENGLISH)		4	8	16	

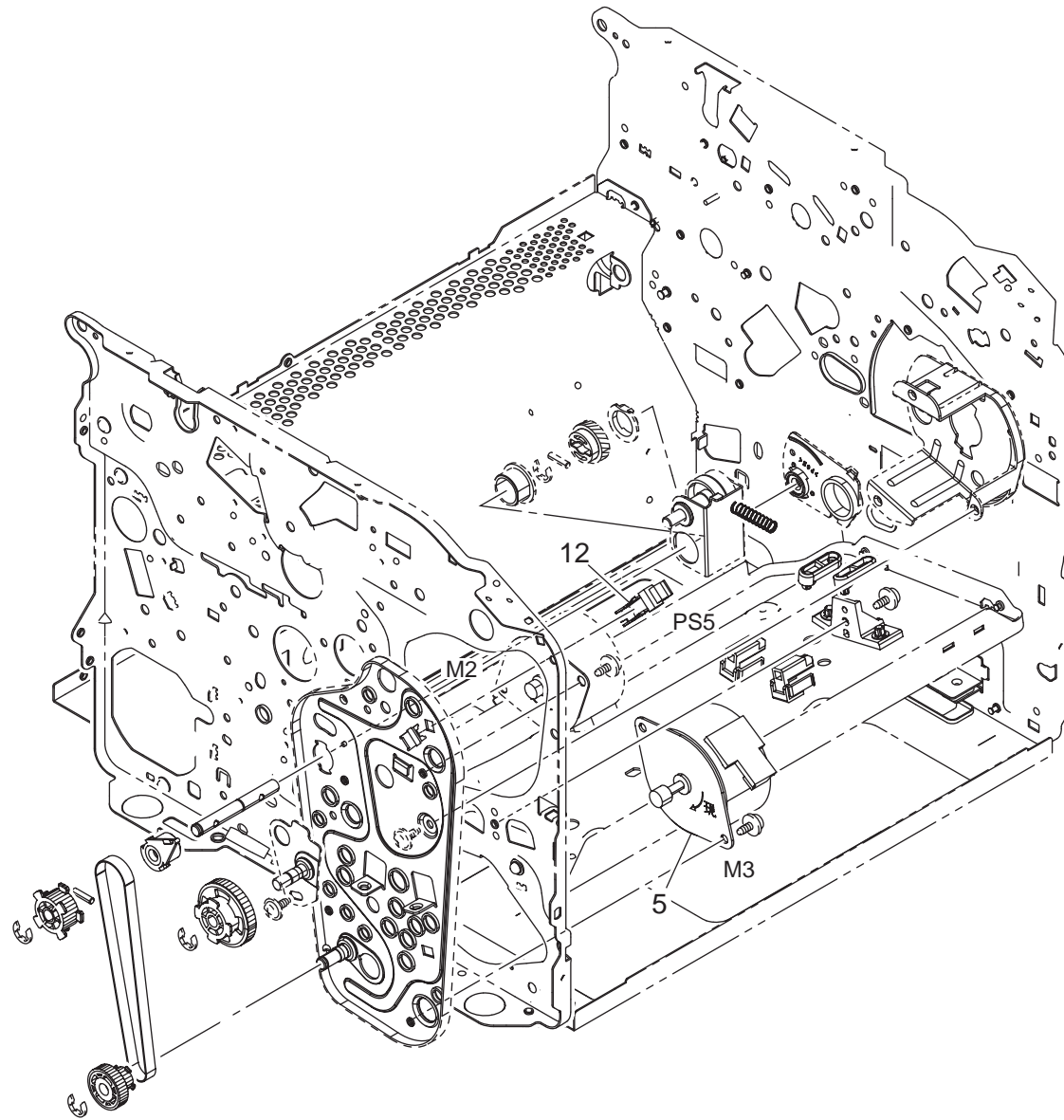
No.	Part No.	Part Name	Q'ty / Unit	Recommended Q'ty/Year			Remarks
				per 500	per 1000	per 2000	
7		Cover Dust Cover		4	8	16	
5	44284908	Lever		2	4	8	
4		Plate		2	4	8	
9		Tray		2	4	8	
16		Seal		2	4	8	
1		Cover		2	4	8	
3	44285025	Cover		2	4	8	
12		Cover		2	4	8	
15		Cover Rear		4	8	16	
17		Cover /Rear		6	12	24	

MAIN FRAME SECTION



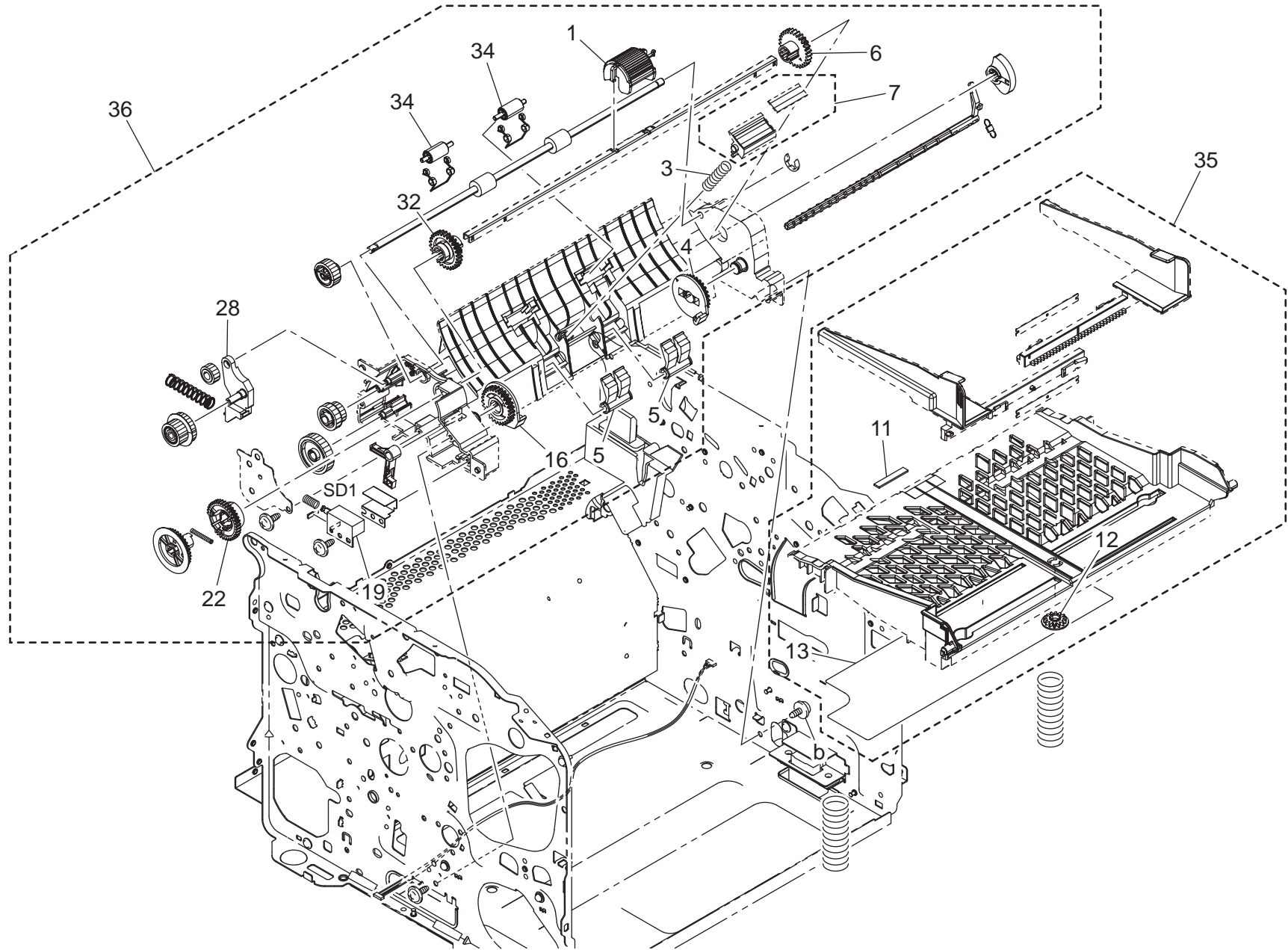
No.	Part No.	Part Name	Q'ty / Unit	Recommended Q'ty/Year			Remarks
				per 500	per 1000	per 2000	
2	44284915	Print Head Assy		12	24	48	
9	44286606	PHOTO INTERRUPTER		12	24	48	

RACK/RACK DRIVE SECTION



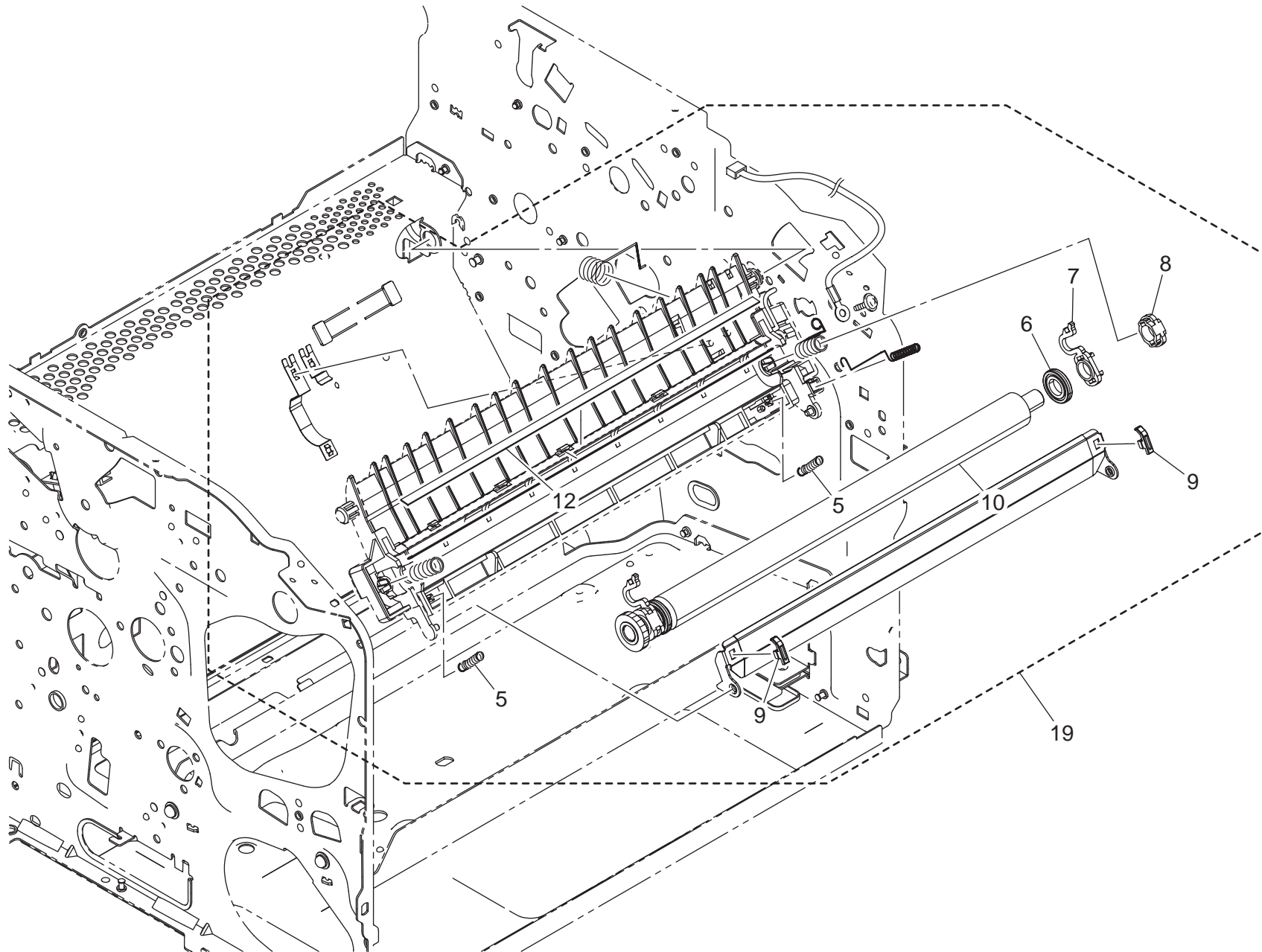
No.	Part No.	Part Name	Q'ty / Unit	Recommended Q'ty/Year			Remarks
				per 500	per 1000	per 2000	
5	44284916	Developing Motor		2	4	8	
12	44286606	PHOTO INTERRUPTER		2	4	8	

PAPER TAKE-UP SECTION



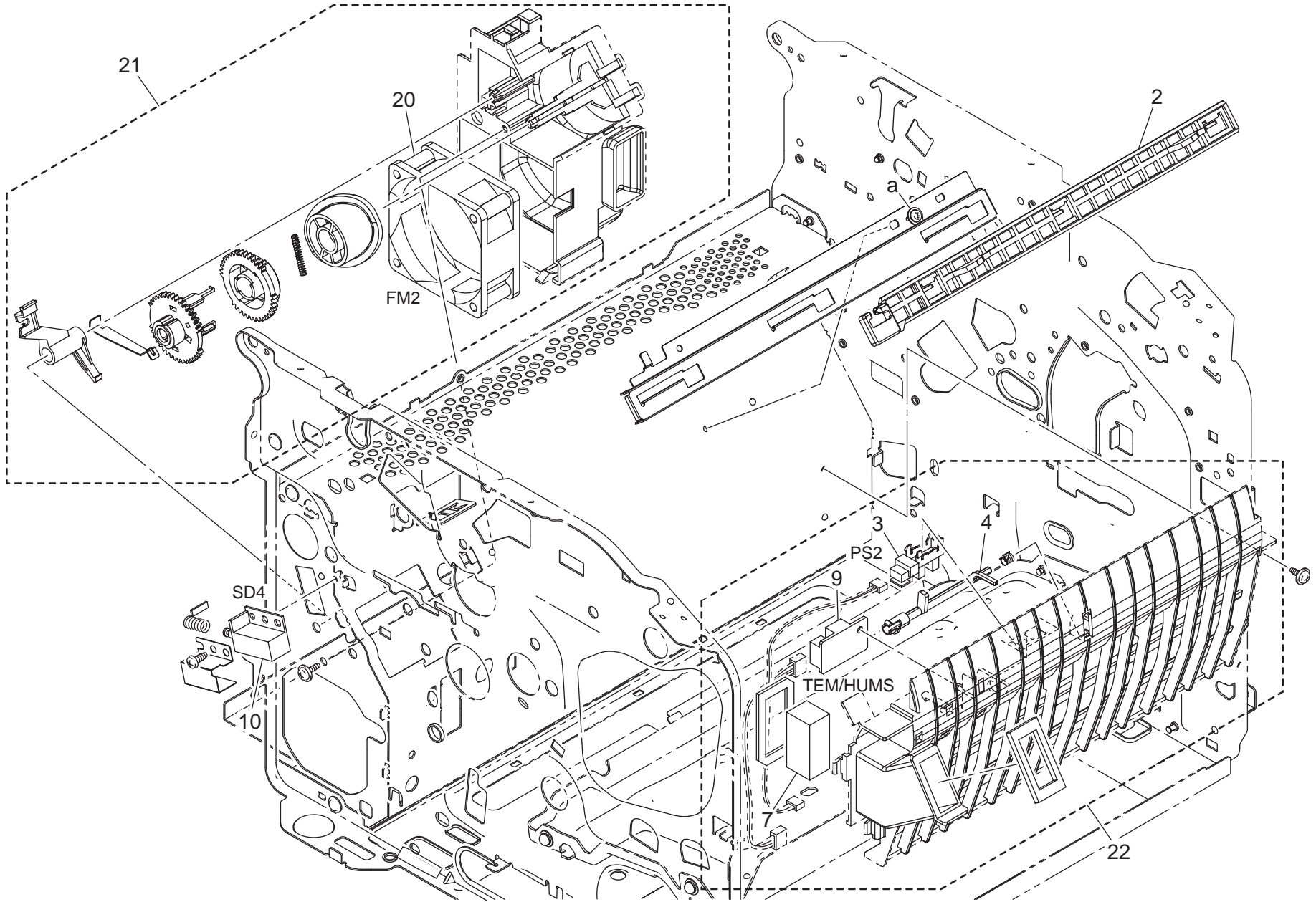
No.	Part No.	Part Name	Q'ty / Unit	Recommended Q'ty/Year			Remarks
				per 500	per 1000	per 2000	
1	44284917	ROLLER		2	4	8	
3		PRESSURE SPRING		2	4	8	
4		Cam		2	4	8	
5		STOPPER		2	4	8	
6		GEAR 27T		2	4	8	
7	44284922	FRICITION SHEET ASSY		2	4	8	
11		FRICITION SHEET		3	6	12	
12		GEAR 14T		6	12	24	
13		Seal		2	4	8	
16		Cam		2	4	8	
19		Paperfeed Solenoid		2	4	8	
22		Gear 36T		2	4	8	
28		Lever		2	4	8	
32		GEAR 27T		2	4	8	
34	44284931	Conveyance Roll		2	4	8	
35		Lifting Plate Assy(Generic)		2	4	8	
36	44284933	Paper Feed Assy		2	4	8	

TRANSFER SECTION_1



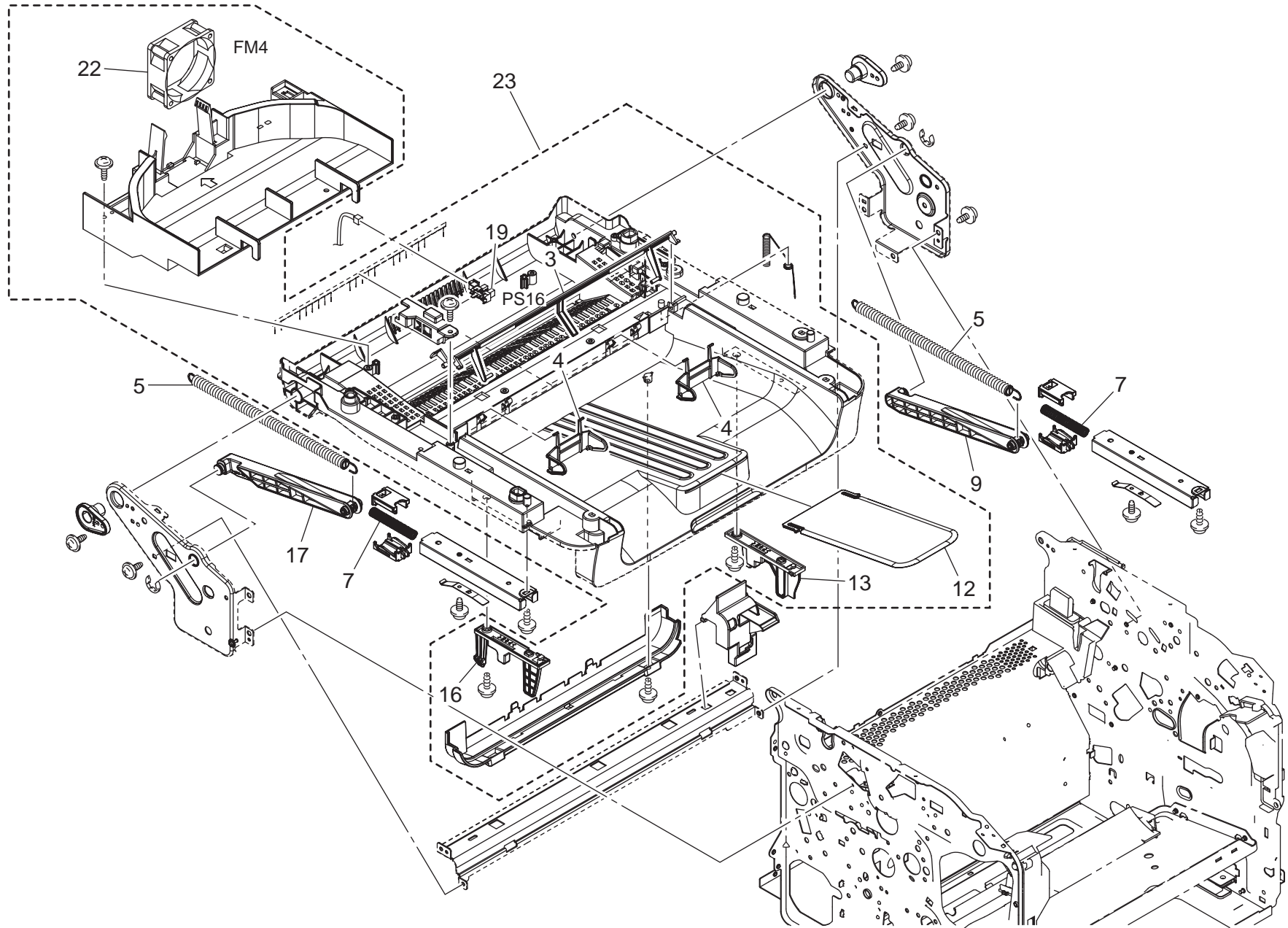
No.	Part No.	Part Name	Q'ty / Unit	Recommended Q'ty/Year			Remarks
				per 500	per 1000	per 2000	
5		PRESSURE SPRING		2	4	8	
6		ROLL		2	4	8	
7		Holder		3	6	12	
8		Bushing		3	6	12	
9		SPACER		3	6	12	
10	44284939	Transfer Roller		2	4	8	
12		NEUTRALIZING MEMBER		2	4	8	
19	44284941	2nd Transfer Assy		2	4	8	

TRANSFER SECTION_2



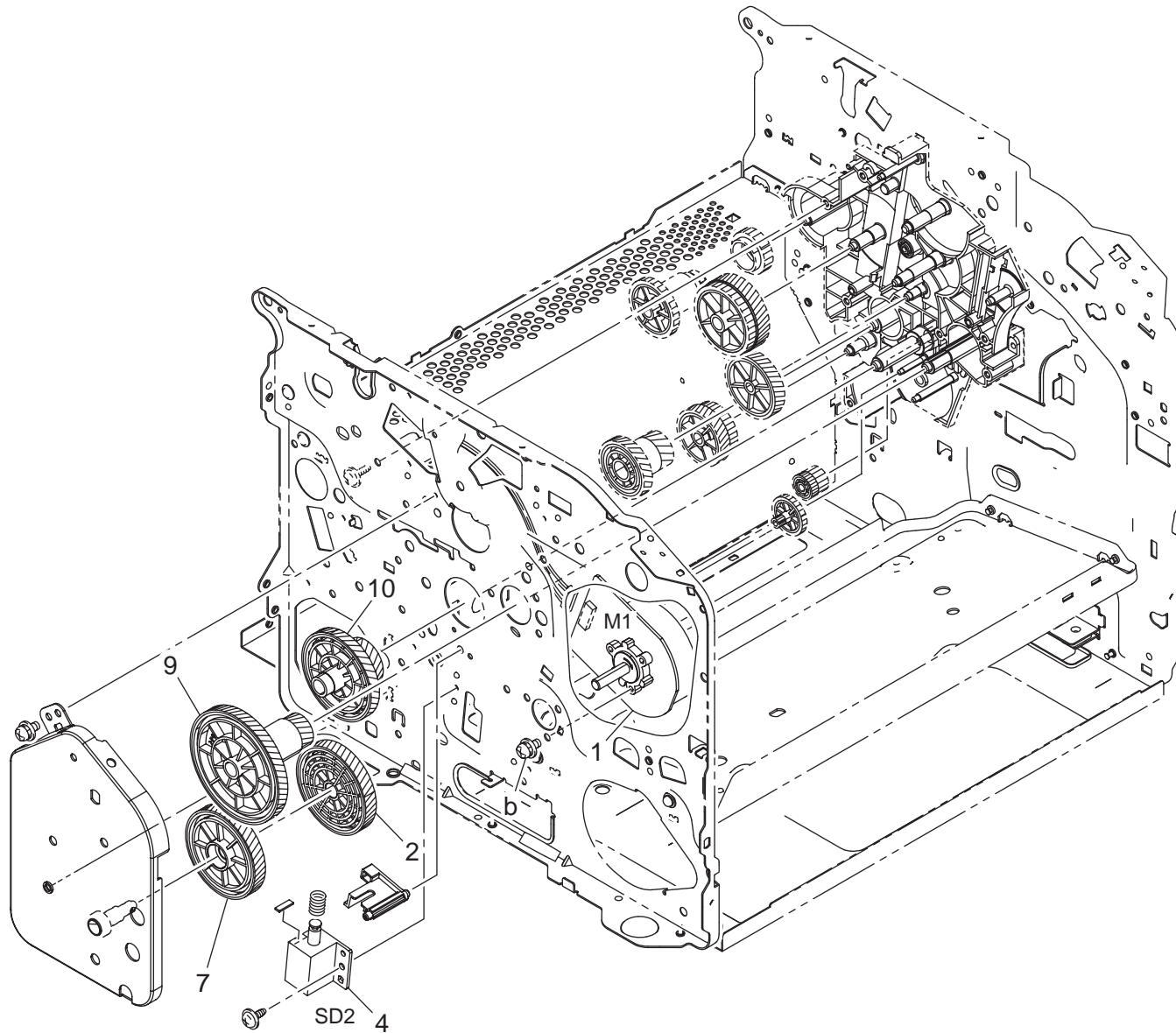
No.	Part No.	Part Name	Q'ty / Unit	Recommended Q'ty/Year			Remarks
				per 500	per 1000	per 2000	
5		PRESSURE SPRING		2	4	8	
6		ROLL		2	4	8	
7		Holder		3	6	12	
8		Bushing		3	6	12	
9		SPACER		3	6	12	
10	44284939	Transfer Roller		2	4	8	
12		NEUTRALIZING MEMBER		2	4	8	
19	44284941	2nd Transfer Assy		2	4	8	

PAPER EXIT SECTION



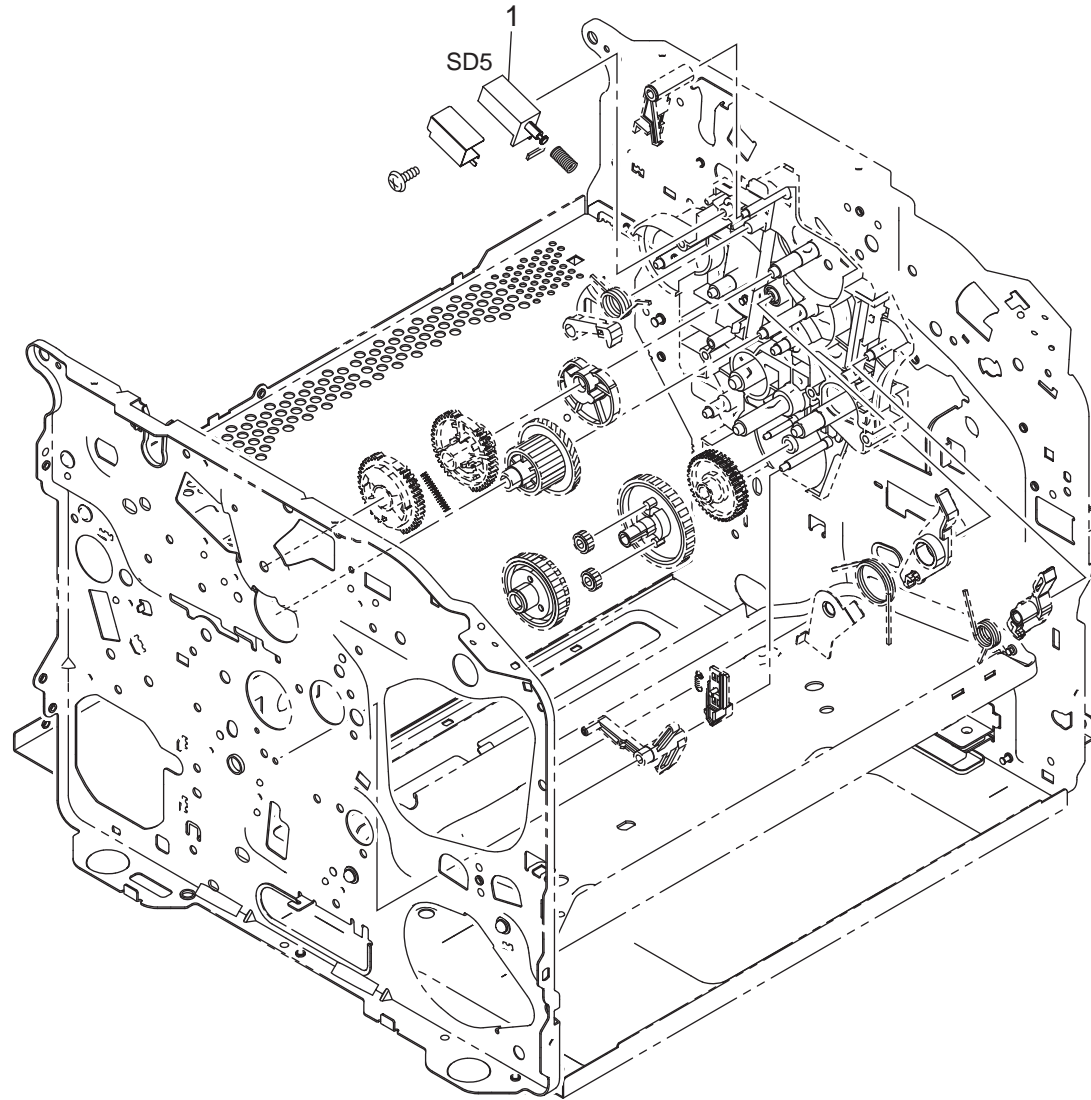
No.	Part No.	Part Name	Q'ty / Unit	Recommended Q'ty/Year			Remarks
				per 500	per 1000	per 2000	
22	44284946	FAN MOTOR		2	4	8	
19	44286606	PHOTO INTERRUPTER		2	4	8	
3	44285030	Actuator		2	4	8	
4	44285031	Holding Guide		2	4	8	
5		Pulling Coil spring		2	4	8	
7		Compressing Coil spring		2	4	8	
9		Balancer /Right		2	4	8	
12	44285035	Paper exit Tray		2	4	8	
13		Lever /Right		9	18	36	
16		Lever /Left		2	4	8	
17		Balancer /Left		2	4	8	
23	44285039	Upper Cover Assy (AIO Gene)		2	4	8	

DRIVE SECTION_1



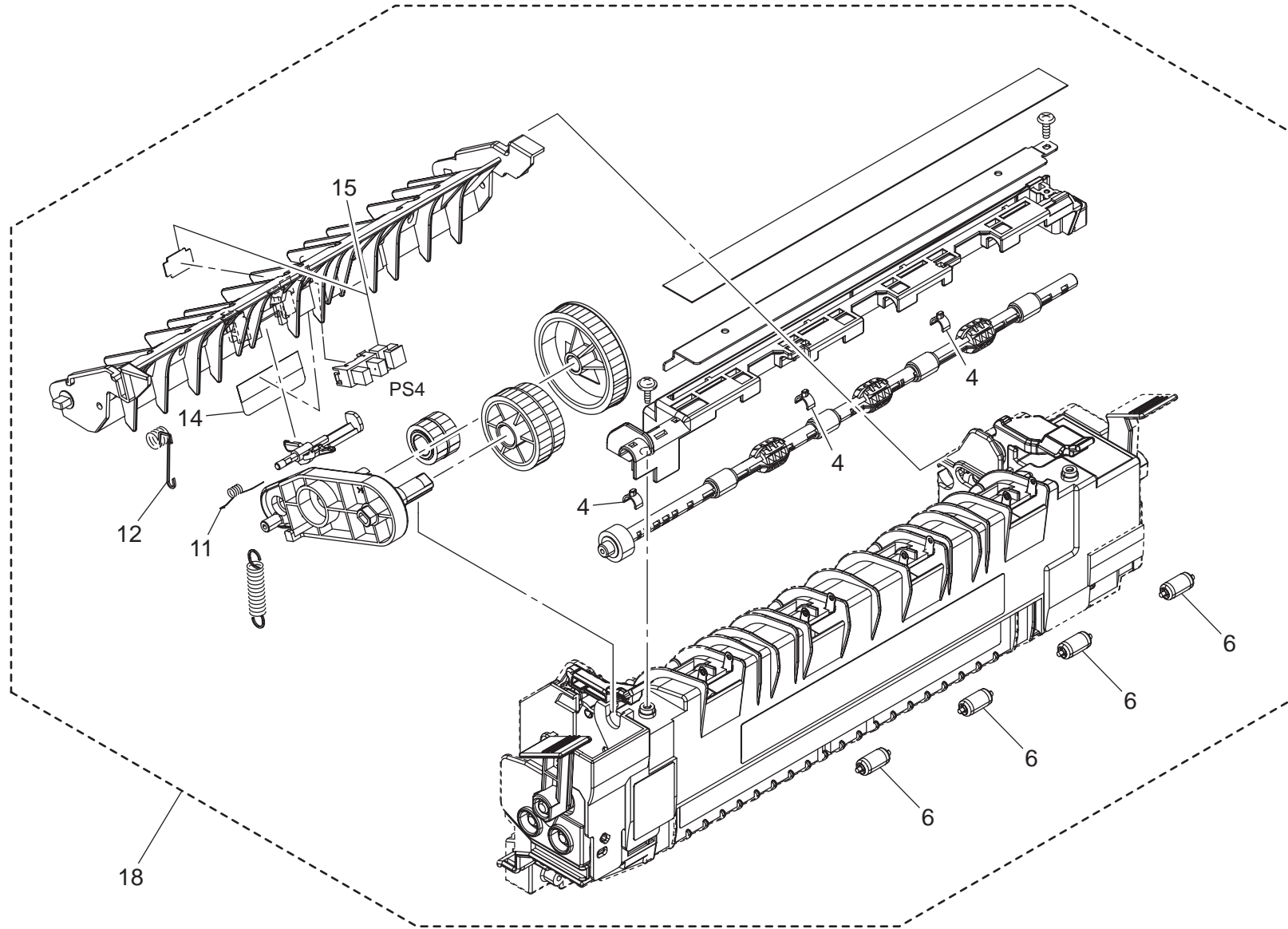
No.	Part No.	Part Name	Q'ty / Unit	Recommended Q'ty/Year			Remarks
				per 500	per 1000	per 2000	
1		Motor		2	4	8	
2		Gear 91T		3	6	12	
7		Gear 91T		2	4	8	
9		Gear 20/117T		12	24	48	
10		Gear 28/91T		3	6	12	
4		Conveyance Solenoid		2	4	8	

DRIVE SECTION_2



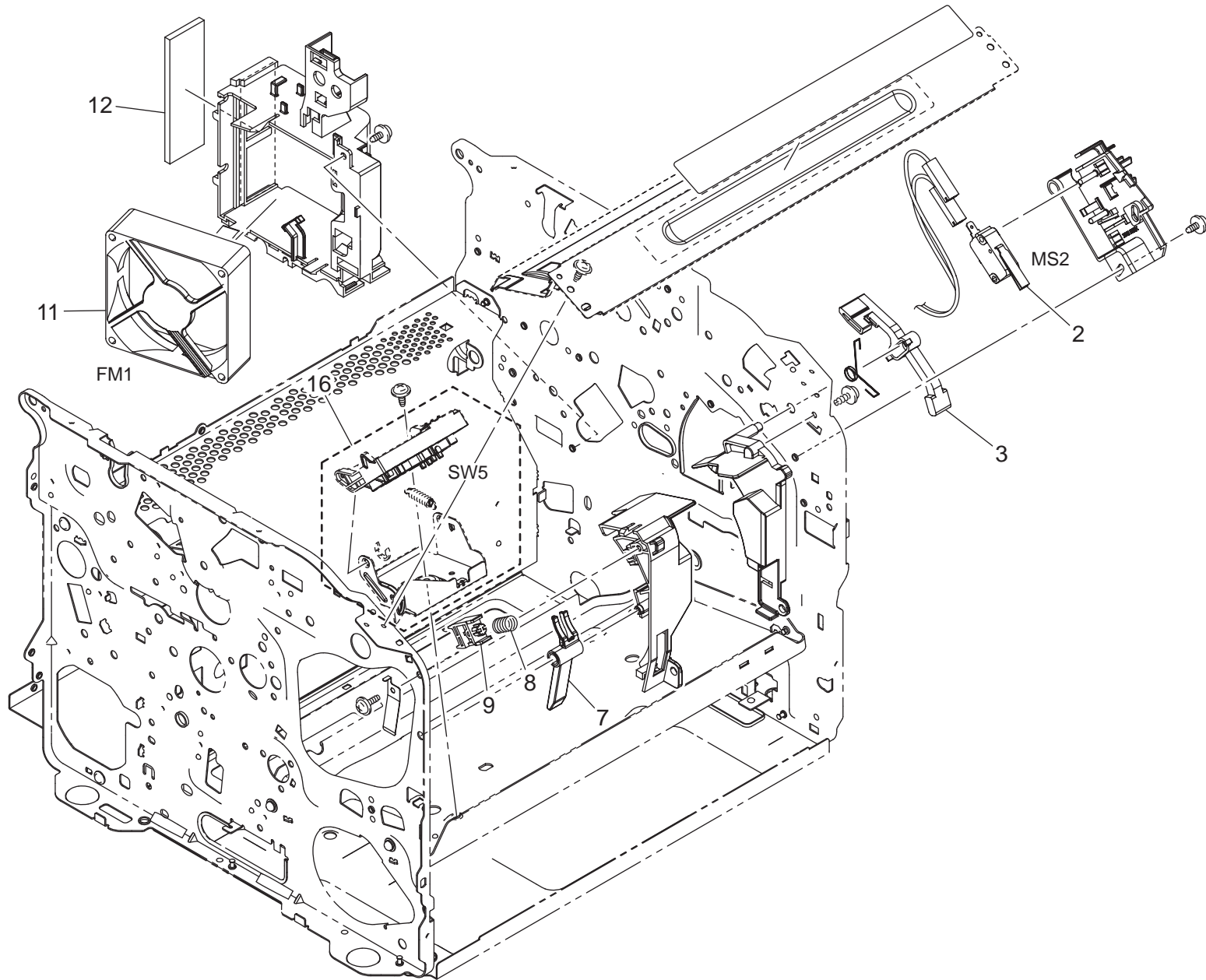
No.	Part No.	Part Name	Q'ty / Unit	Recommended Q'ty/Year			Remarks
				per 500	per 1000	per 2000	
1		Paperfeed Solenoid		2	4	8	

FUSING SECTION



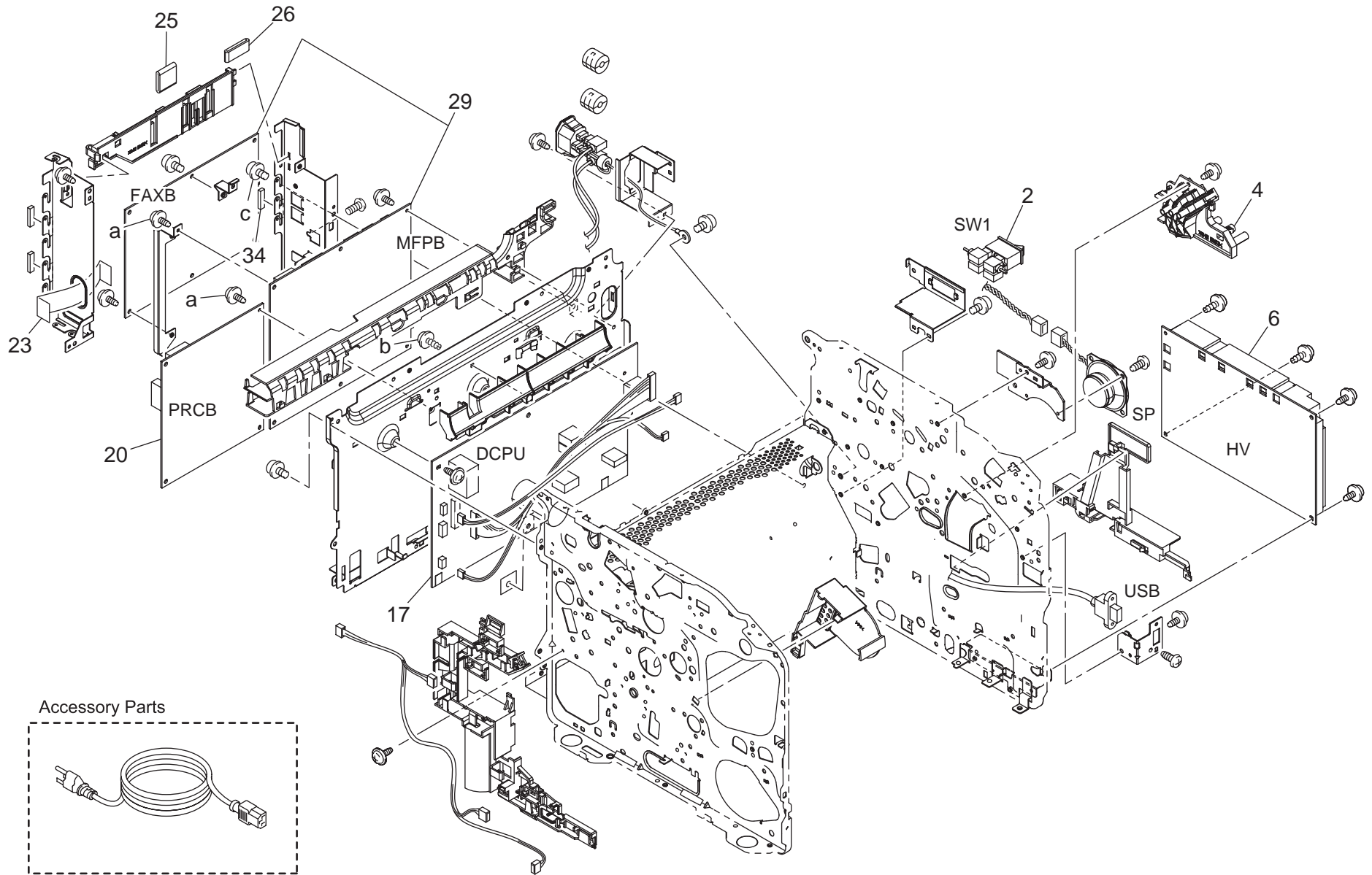
No.	Part No.	Part Name	Q'ty / Unit	Recommended Q'ty/Year			Remarks
				per 500	per 1000	per 2000	
4		Bushing		2	4	8	
6		ROLL		2	4	8	
11		Spring		2	4	8	
12		Torsion Coil spring		12	24	48	
14		Seal		2	4	8	
15	44284968	PHOTO INTERRUPTER		2	4	8	
18	44285040	FUSING(AIO-230V)		2	4	8	
18	44285041	FUSING(AIO-120V)		2	4	8	

COOLING SECTION



No.	Part No.	Part Name	Q'ty / Unit	Recommended Q'ty/Year			Remarks
				per 500	per 1000	per 2000	
2	44284971	MICRO SWITCH		2	4	8	
3		Lever		2	4	8	
7		Lock Lever		2	4	8	
8		Compressing Coil spring		2	4	8	
9		Lock Claw		2	4	8	
11	44284976	FAN MOTOR		2	4	8	
12		Filter		2	4	8	
16	44284978	CSIC Contact Assy		2	4	8	

ELECTRICAL COMPONENTS



No.	Part No.	Part Name	Q'ty / Unit	Recommended Q'ty/Year			Remarks
				per 500	per 1000	per 2000	
2		Rocker switch		2	4	8	
4		Rack Contact Assy		3	4	8	
6	44284981	High voltage unit		12	24	48	
17		Power supply_200V_C130_EURO PE		2	4	8	
17	44284985	Power supply_100V_C130_USA		2	4	8	
23		Wiring_C130		2	4	8	
20	44285042	PWB Assembly (PWB-A Assy)		2	4	8	
25		Ferritecore		2	4	8	
26		Ferritecore		2	4	8	
29	44285045	Controller assy		4	8	16	