

MB780/MB790MFP MPS5500mb / 5500mbf Spare Parts Illustration Manual

022712B

NOTE:

Parts in this manual that denote model MB780 are for both the MB780 and MPS5500mb.
Parts listed as MB790 are for both the MB790 and MPS5500mbf.
Parts with no model reference in the description should be understood as applicable to all MB780/790/MPS5500mb/5500mbf models.

Assembly 1: Covers (MB780)

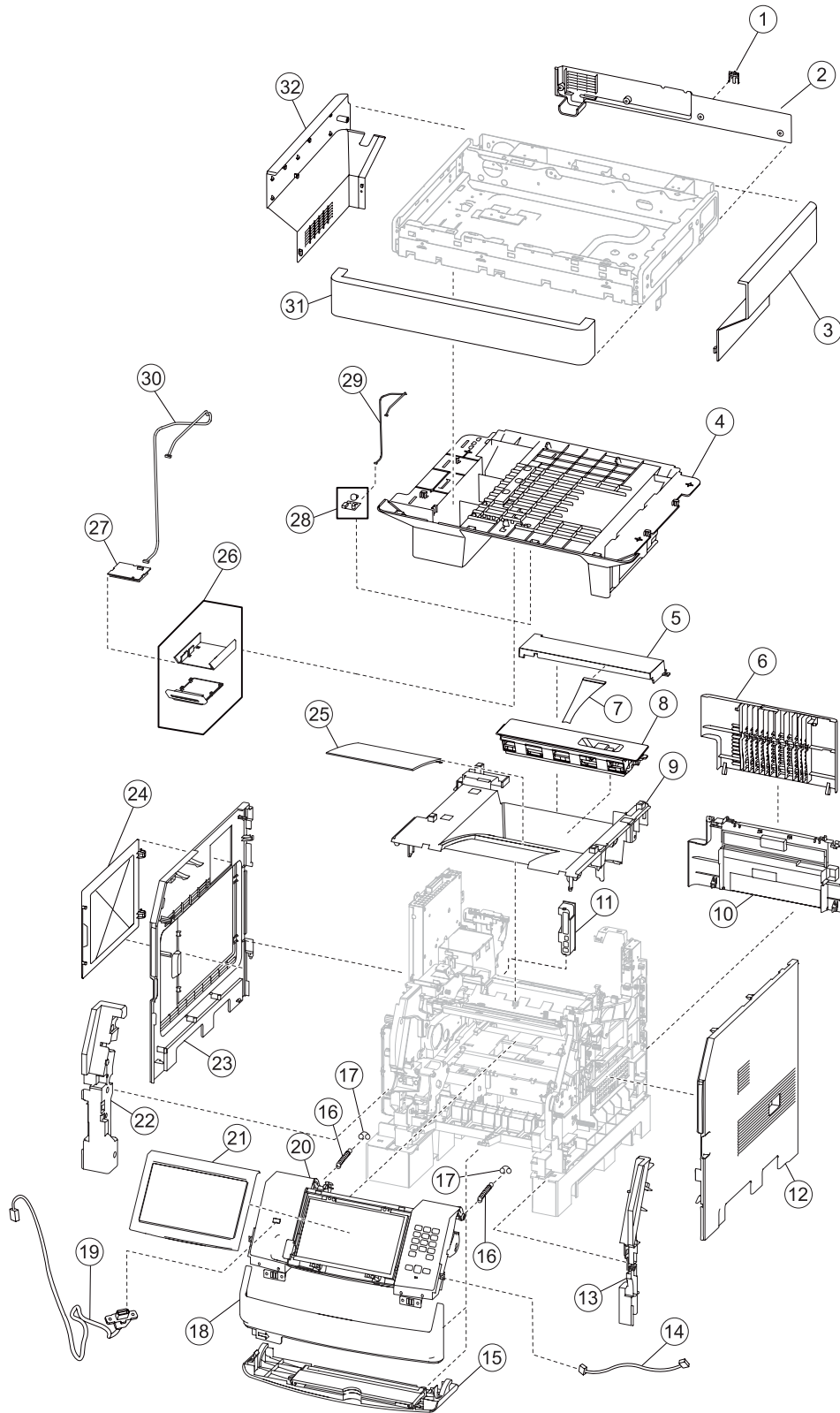
Previous



Next



Go Back



Assembly 1: Covers (MB780)

Asm-index	Part number	Units/option	Units/FRU	Description
2		1	1	Scanner cover, rear
3		1	1	Scanner cover, right
4		1	1	Scanner support platform
5		1	1	Output cover assembly
6	53102403	1	1	Door assembly, rear
7		1	1	Output bail
8	53102502	1	1	Fuser wiper cover
9		1	1	Laser cover assembly, 550 sheet
10		1	1	Cover assembly, rear lower
11		1	1	Connection bezel assembly, rear
12		1	1	Side cover, right
13		1	1	Inner cover, right
14		1	1	Operator panel cable assembly
15		1	1	MPF tray door assembly
16		2	1	Counter balance spring
17		2	1	Spring connector
18		1	1	Operator panel door latch assembly
19		1	1	USB cable assembly
20		1	1	Operator panel door assembly with hinges
20		1	1	Operator panel door assembly with hinges
21		1	1	MB780 touch screen bezel
22		1	1	Inner cover, left
23		1	1	Side cover, left
24		1	1	Access door
25		1	1	Media support
26		1	1	Card reader cover assembly
27		1	1	Card reader assembly (5125 contact/HID)
27		1	1	Card reader assembly (3121 contact)
27		1	1	Card reader assembly (5121 contact/RFID)
28		1	1	Standard output bin LED assembly
29		1	1	Standard output bin LED cable assembly
30		1	1	Card reader cable assembly
31		1	1	Scanner cover, front
32		1	1	Scanner cover, left

Previous

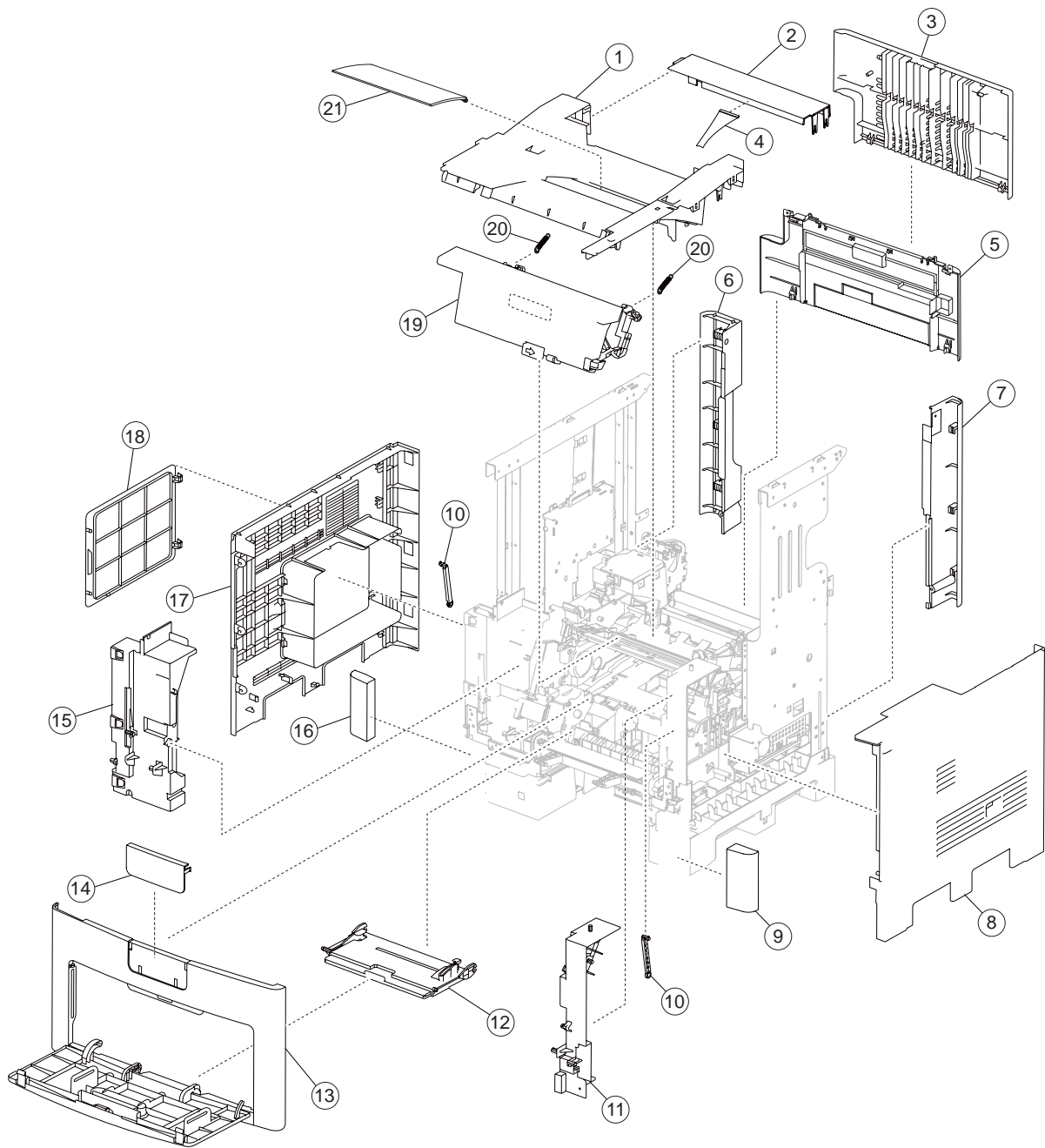


Next



Go Back

Assembly 2: Covers 1 (MB790)



Previous



Next



Go Back

Assembly 2: Covers 1 (MB790)

Asm-index	Part number	Units/option	Units/FRU	Description
1		1	1	Laser cover assembly, 550 sheet
2		1	1	Output cover assembly
3		1	1	Door assembly, rear
4		1	1	Output bail
5		1	1	Cover assembly, rear lower
6		1	1	Corner cover, left rear
7		1	1	Corner cover, right rear
8		1	1	Side cover, right
9		1	1	Tray cover, right
10		2	1	MPF tray cover support strap
11		1	1	Inner cover, right
12	51035903	1	1	MPF media guide assembly
13		1	1	MPF tray cover assembly
14		1	1	Model door bezel
15		1	1	Inner cover, left
16		1	1	Tray cover, left
17		1	1	Side cover, left
18		1	1	Access door
19		1	1	Print cartridge cover assembly
20		2	1	Print cartridge recoil spring
21	50520001	1	1	Media support

Previous

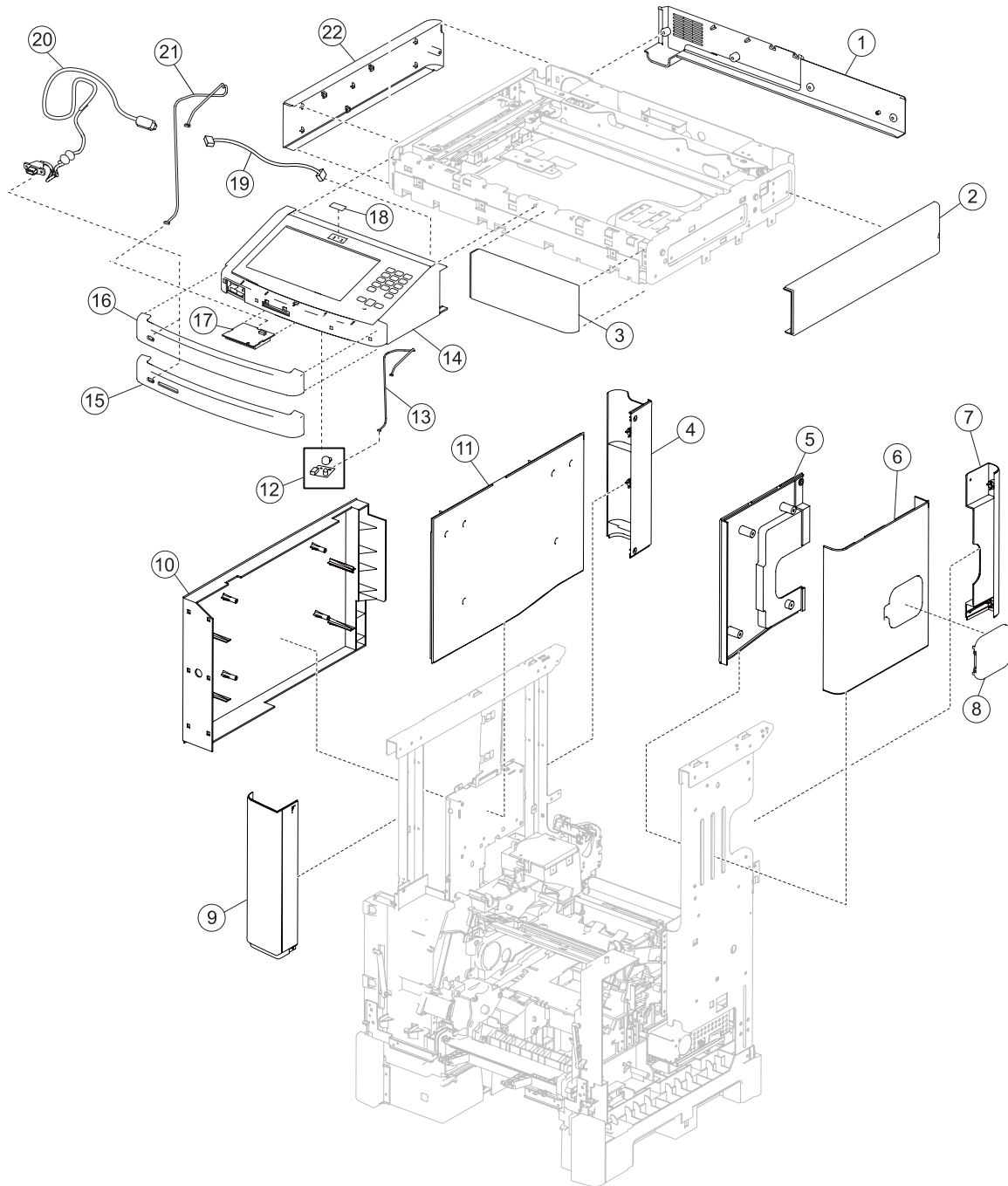


Next



Go Back

Assembly 3: Covers 2 (MB790)



Previous



Next



Go Back

Assembly 3: Covers 2 (MB790)

Asm-index	Part number	Units/option	Units/FRU	Description
1		1	1	Scanner cover, rear
2		1	1	Scanner cover, right
3		1	1	Scanner cover, front
4		1	1	Scanner support cover, left rear
5		1	1	Scanner support inner cover, right
6		1	1	Scanner support cover, right
7		1	1	Scanner support cover, right rear
8		1	1	Stapler access cover
9		1	1	Scanner support cover, left front
10		1	1	Scanner support cover, left
11		1	1	Scanner support inner cover, left
12		1	1	Standard output bin LED assembly
14		1	1	Operator panel assembly
15		1	1	Operator panel cover with card reader slot
16		1	1	Operator panel front cover
17		1	1	Card reader assembly (3121 contact)
17		1	1	Card reader assembly (5121 contact/RFID)
17		1	1	Card reader assembly (5125 contact/HID)
18	51715002	1	1	Operator panel bezel
19		1	1	Operator panel cable assembly
20		1	1'	USB cable assembly
21		1	1	Card reader cable assembly
22		1	1	Scanner cover, left

Previous

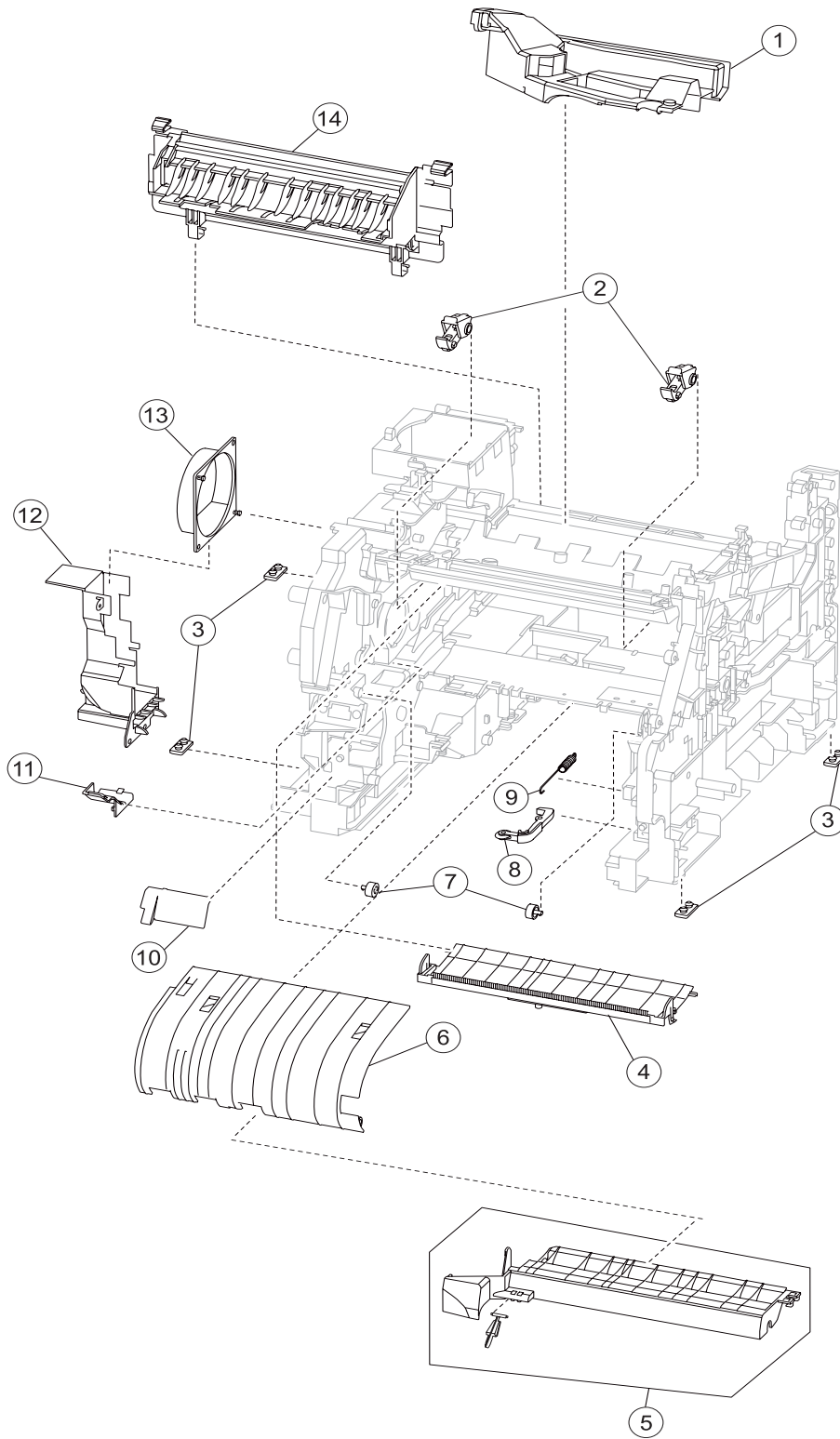


Next



Go Back

Assembly 4: Media path and ducts



Previous



Next



Go Back

Assembly 4: Media path and ducts

Asm-Index	Part number	Units/mach	Units/kit or pkg	Description
1		1	1	EP cooling fan duct
2	53366501	2	1	Print cartridge clamp assembly
3	50520103	4	1	Machine pad
4	50611101	1	1	Transfer deflector with static brush
5	50611102	1	1	Media turn guide with actuator
6	50611103	1	1	Inner deflector
7	50428505	2	1	Print cartridge support roller
8	50428504	1	1	Tray roller catch assembly
9		1	1	Tray catch spring
10		1	1	Envelope feeder interface cover (MB790)
11		1	1	MPF gear shield
12		1	1	LVPS cooling duct
13		1	1	Main cooling fan duct (MB790)
13		1	1	Main cooling duct (MB780)
14	53102402	1	1	Fuser access door assembly

Previous

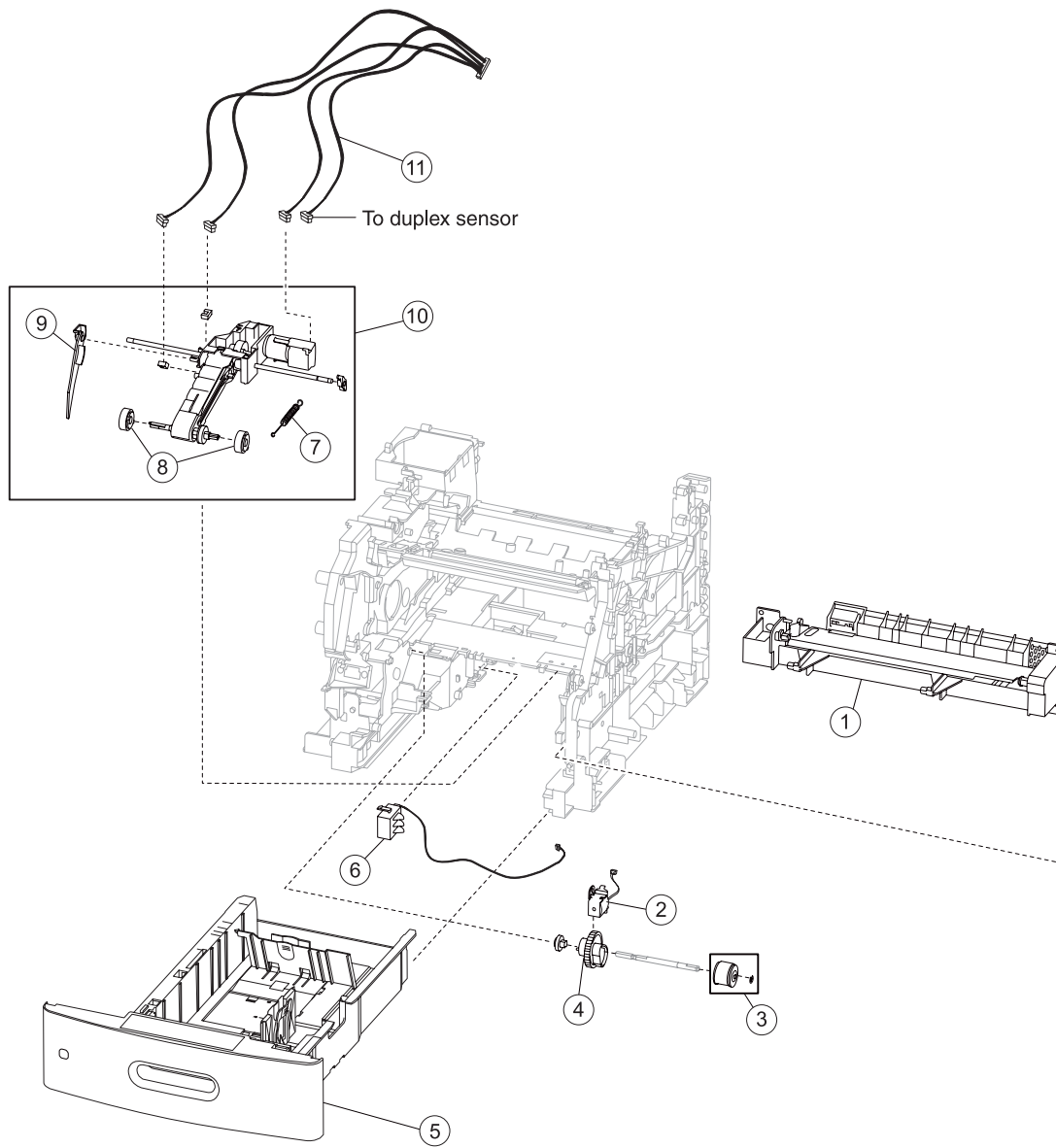


Next



Go Back

Assembly 5: Pick arm and media tray assemblies



Previous



Next



Go Back

Assembly 5: Pick arm and media tray assemblies

Asm-Index	Part number	Units/mach	Units/kit or pkg	Description
1	50611105	1	1	MPF lift plate assembly (MB780)
1	50611104	1	1	MPF lift plate assembly with spring (MB790)
2	50243204	1	1	MPF pick solenoid assembly
3	50428501	1	1	MPF pick roll assembly with flange and clip
4	51260803	1	1	MPF cam gear
5		1	1	Media tray assembly, 550 sheet (MB780)
5	50145801	1	1	Media tray assembly (MB790)
6	50428708	1	1	Switch (media size assembly)
7	50941302	1	1	Pick arm spring
8	50428503	1	2	Pick roll assembly (2)
9	53366403	1	1	550 Sheet media out actuator
10	50243203	1	1	550 Sheet pick arm assembly with spring
11		1	1	Pick arm sensor cable assembly

Previous



Next



Go Back

Assembly 6: Drive motor assembly, redrive, and duplex

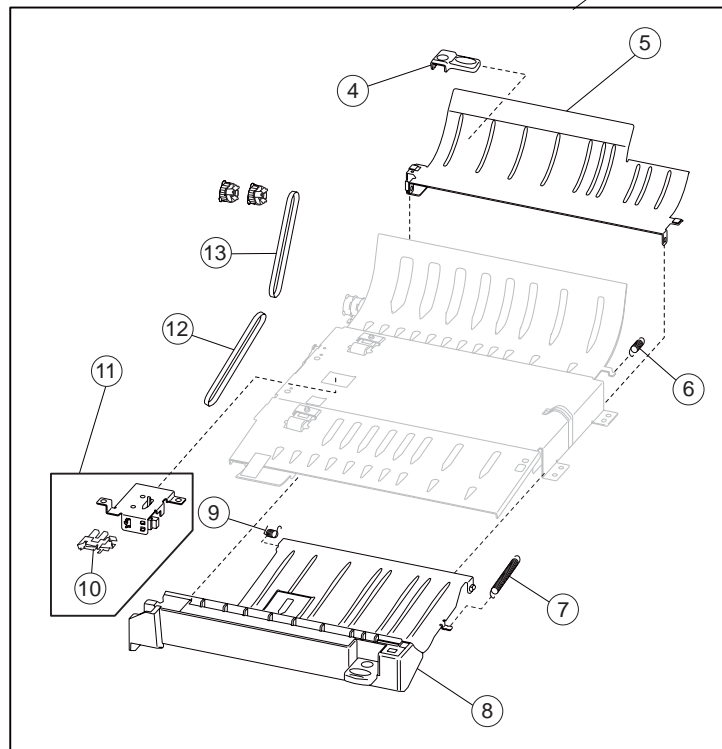
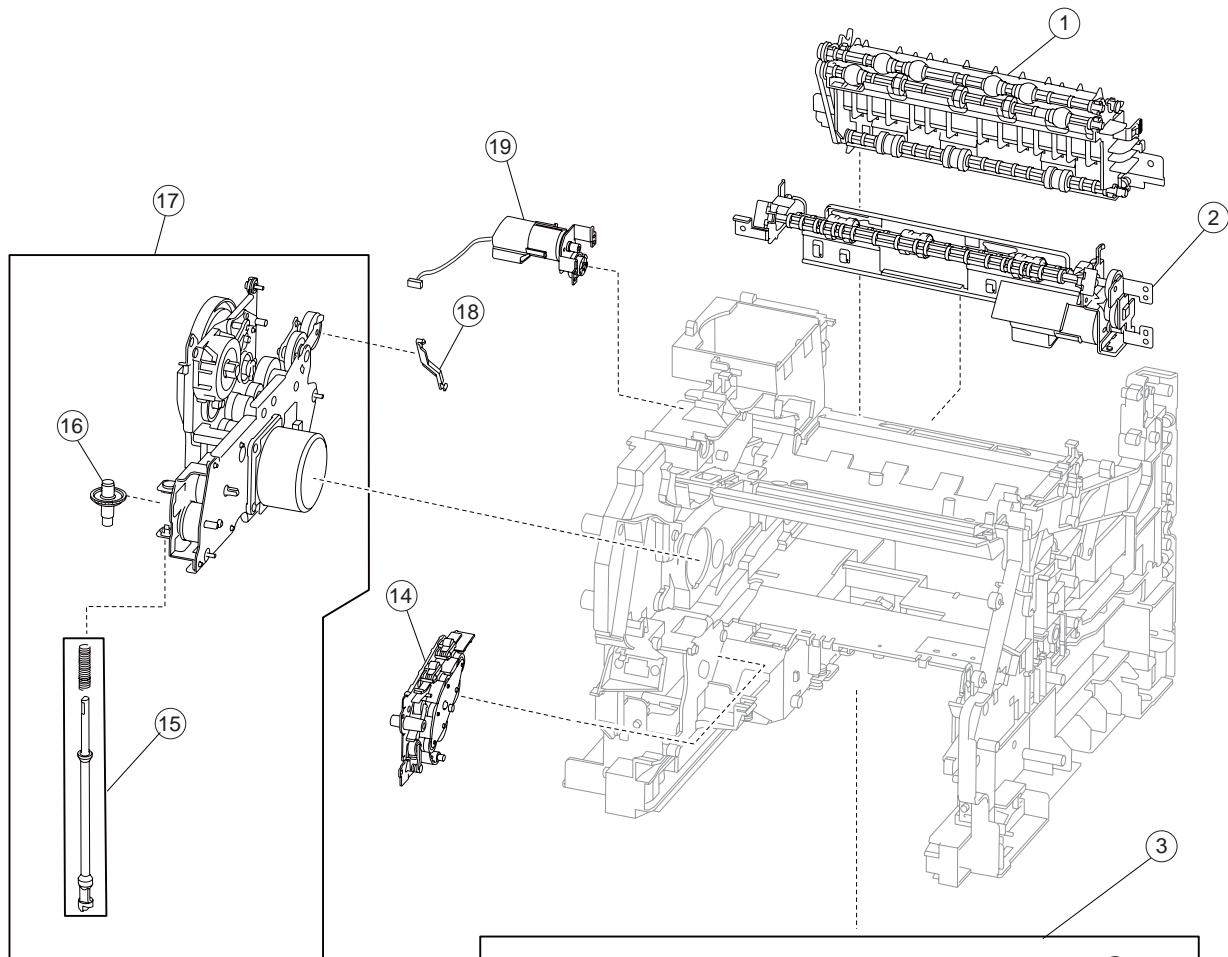
Previous



Next



Go Back



Assembly 6: Drive motor assembly, redrive, and duplex

Asm-Index	Part number	Units/mach	Units/kit or pkg	Description
1		1	1	Redrive assembly
2	56526711	1	1	Duplex drive motor assembly
3	50145901	1	5	Duplex assembly with 2 belts and 2 pulleys
4		1	1	Duplex guide handle
5		1	1	Duplex guide, rear
6		1	1	Duplex guide spring, rear
7		1	1	Duplex guide spring, right
8		1	1	Duplex guide assembly, front
9		1	1	Duplex guide spring, left
10	50428704	1	1	Sensor (duplex input)
11	50428702	1	1	Duplex input sensor assembly
12		1	1	Duplex drive belt, lower
13		1	1	Duplex drive belt, upper
14	50146001	1	3	Alignment assembly with ground strap and adj. screw
15		1	2	Option drive shaft with spring
16	51260804	1	1	Bevel gear with grease packet and washer <ul style="list-style-type: none"> • Bevel gear (1) • Instruction sheet (1) • Grease packet (1)
17	56526709	1	1	Main drive motor assembly with option drive shaft
18	50817001	1	1	Fuser drive release linkage
19	56526710	1	1	Redrive motor assembly

Previous



Next



Go Back

Assembly 7: Printhead, charge, and transfer assembly

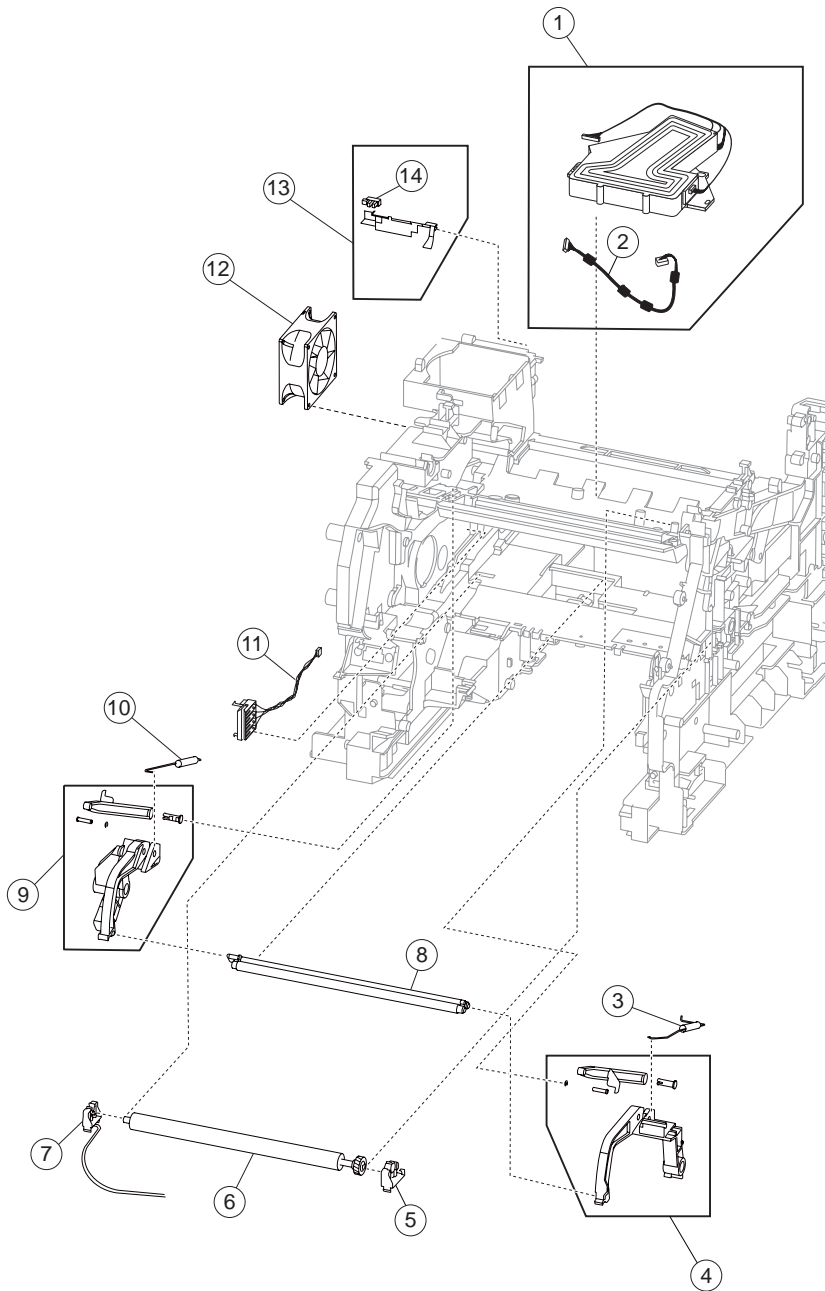
Previous



Next



Go Back



Assembly 7: Printhead, charge, and transfer assembly

Asm-Index	Part number	Units/mach	Units/kit or pkg	Description
1	50146101	1	2	Printhead with cable assembly
2	56646102	1	1	Printhead cable assembly
3		1	1	Charge roll link spring, right
4	53102302	1	1	Charge roll arm assembly with cable, right
5	51715102	1	2	Transfer roll bracket assembly, right
6	50428502	1	1	Transfer roll assembly with tool
7	51715101	1	2	Transfer roll bracket with cable assembly, left
8	50428509	1	1	Charge roll assembly with tool
9	53102301	1	1	Charge roll arm assembly, left
10		1	1	Charge roll link spring, left
11	56646101	1	1	Print cartridge ID connector assembly
12	56526704	1	1	Main cooling fan
13	50428706	1	1	Sensor (standard bin exit) actuator assembly
14	50428704	1	1	Sensor (standard bin exit)

Previous



Next



Go Back

Assembly 8: System card, HVPS and scanner controller card assemblies

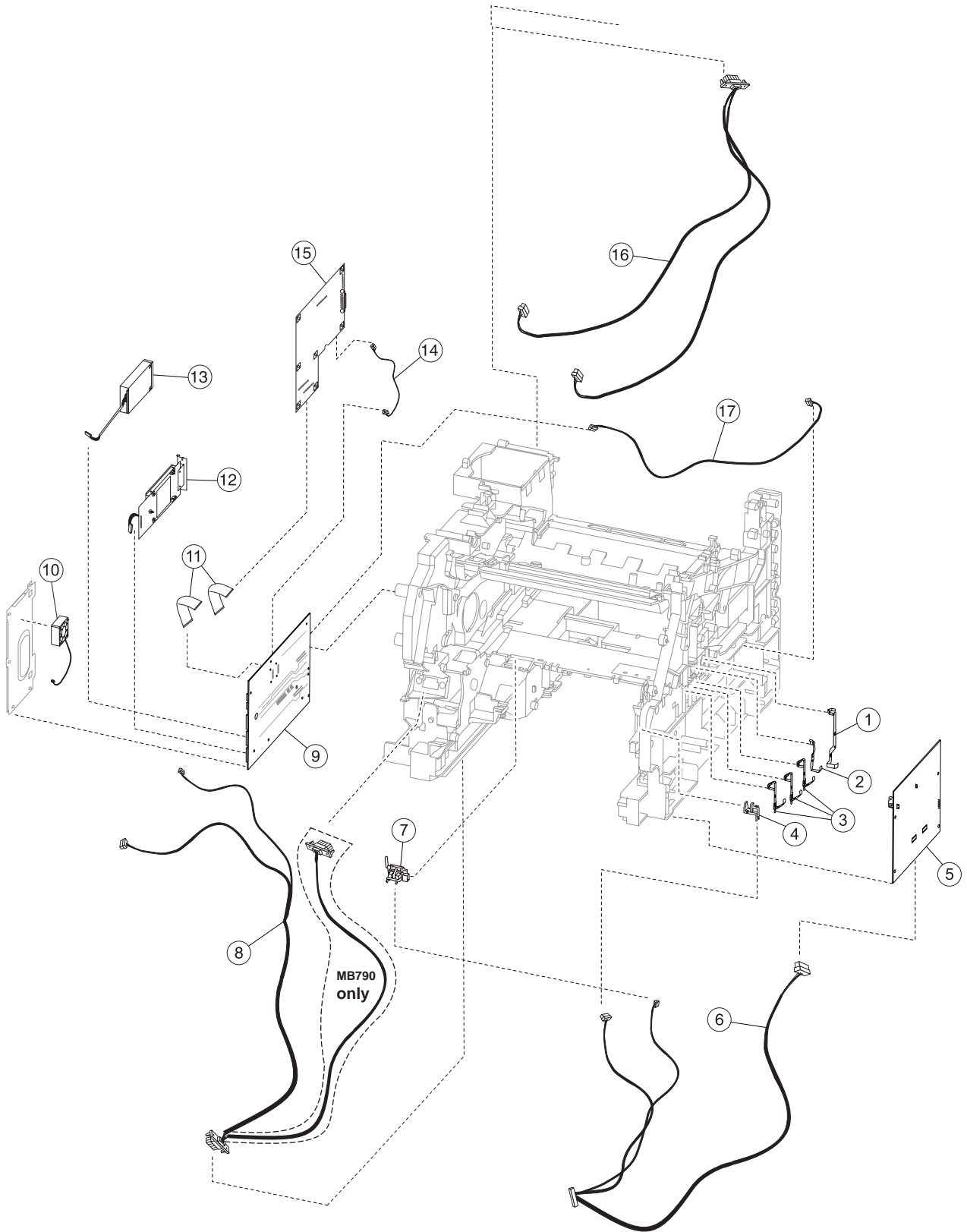
Previous



Next



Go Back



Assembly 8: System card, HVPS and scanner controller card assemblies

Previous



Next



Go Back

Asm-Index	Part number	Units/mach	Units/ kit or pkg	Description
1	56747403	1	1	Cleaning blade contact
2	56747401	1	1	Drum grounding contact
3	56747402	3	1	Print cartridge HV contact
4	50428705	1	1	Sensor (toner empty)
5	56423103	1	1	HVPS card assembly
6	56646106	1	1	HVPS / sensor cable assembly
7	50428703	1	1	Sensor (input)
8		1	1	Envelope / input option cable assembly (MB790)
8		1	1	Envelope / input option cable assembly (MB780)
9	55119801	1	1	Main Control Board (MB780/790)
10	56526801	1	1	Hard drive cooling fan
11	56646109	2	1	Scanner controller card interface cable assembly
12		1	1	Hard drive assembly with board
12	55113601	1	1	Hard drive assembly with board (TTA)
13	55113408	1	1	Fax modem assembly with board
14	56646110	1	1	Scanner controller card power cable assembly
15	55113401	1	1	Scanner controller card assembly (MB780 & MB790)
16		1	1	Output option interface cable assembly (MB790)
17	56646111	1	1	LVPS cooling fan cable assembly
<p>Warning: When replacing any of the following components:</p> <ul style="list-style-type: none"> • Scanner interface card assembly • System card assembly • Scanner unit assembly <p>Only replace one component at a time. replace the required component and perform a POR before replacing a second component listed above. If this procedure is not followed, the printer will be rendered inoperable. Never replace two or more of the components listed above without a POR after installing each one or the printer will be rendered inoperable.</p> <p>These components can be used as a method of troubleshooting as long as the machine is booted into diagnostic mode or is operating in diagnostic mode. Once a component has been installed in a machine and powered up into user mode, it cannot be used in another machine. It must be returned to the manufacturer.</p>				

Assembly 9: Fuser and LVPS card assemblies

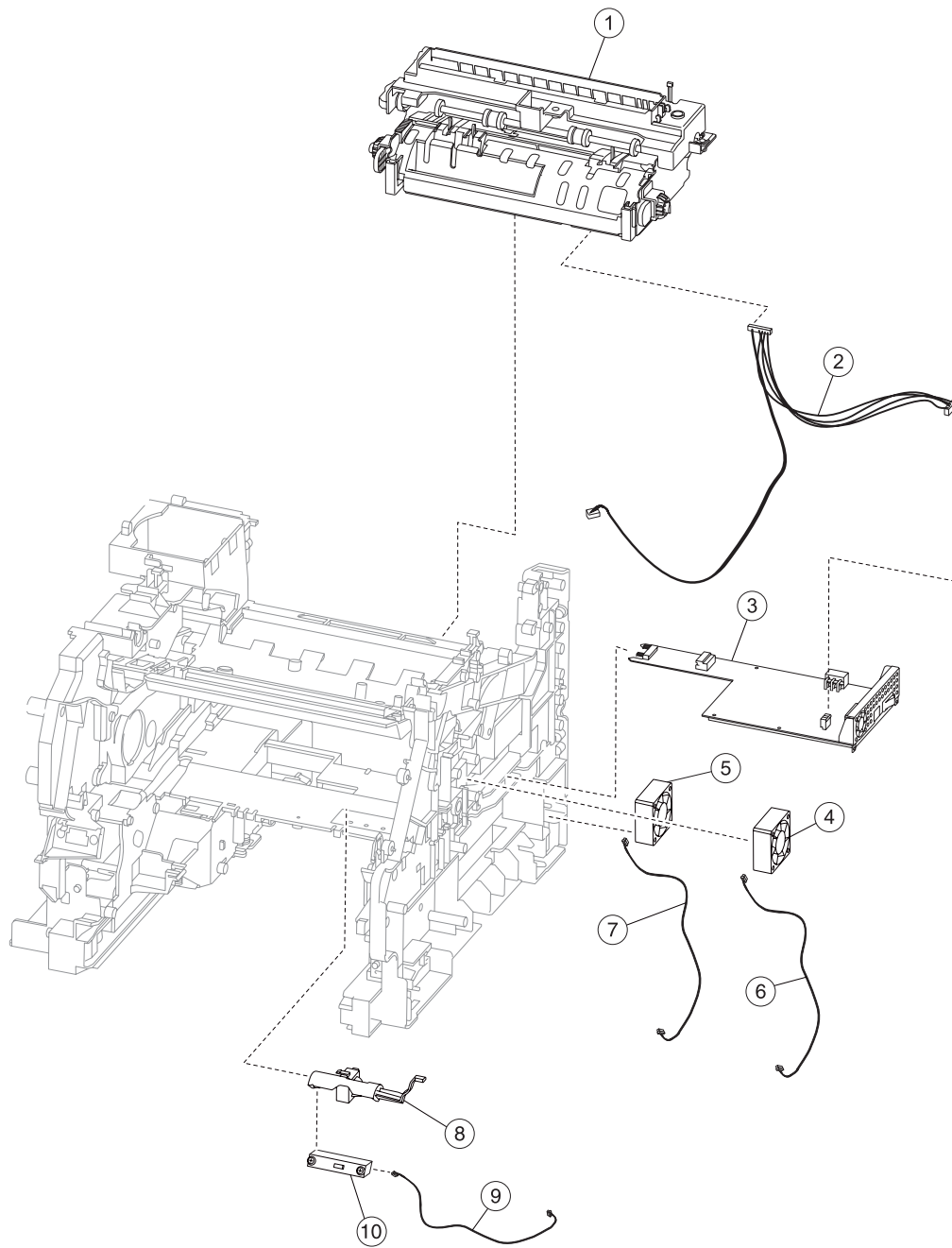
Previous



Next



Go Back



Assembly 9: Fuser and LVPS card assemblies

Asm-index	Part number	Units/option	Units/FRU	Description
1	-	1	1	Fuser assembly 100V, type 1
1	57108202	1	1	Fuser assembly 110V, type 1
1		1	1	Fuser assembly 220V, type 1
1		1	1	Fuser assembly 100V, type 2
1		1	1	Fuser assembly 110V, type 2
1		1	1	Fuser assembly 220V, type 2
2	56646108	1	1	Fuser interface cable assembly
3	56423101	1	1	LVPS card assembly (MB780)
3	56423102	1	1	LVPS card assembly (MB790)
4	56526703	1	1	Print cartridge cooling fan
5	56526702	1	1	Duplex cooling fan
6	56646105	1	1	Print cartridge cooling fan cable assembly
7	56646104	1	1	Duplex cooling fan cable assembly
8		1	1	Sensor shield assembly
9	56646107	1	1	Toner density sensor cable assembly
10	50428707	1	1	Sensor (toner density)

Previous



Next



Go Back

Assembly 10: Flatbed scanner

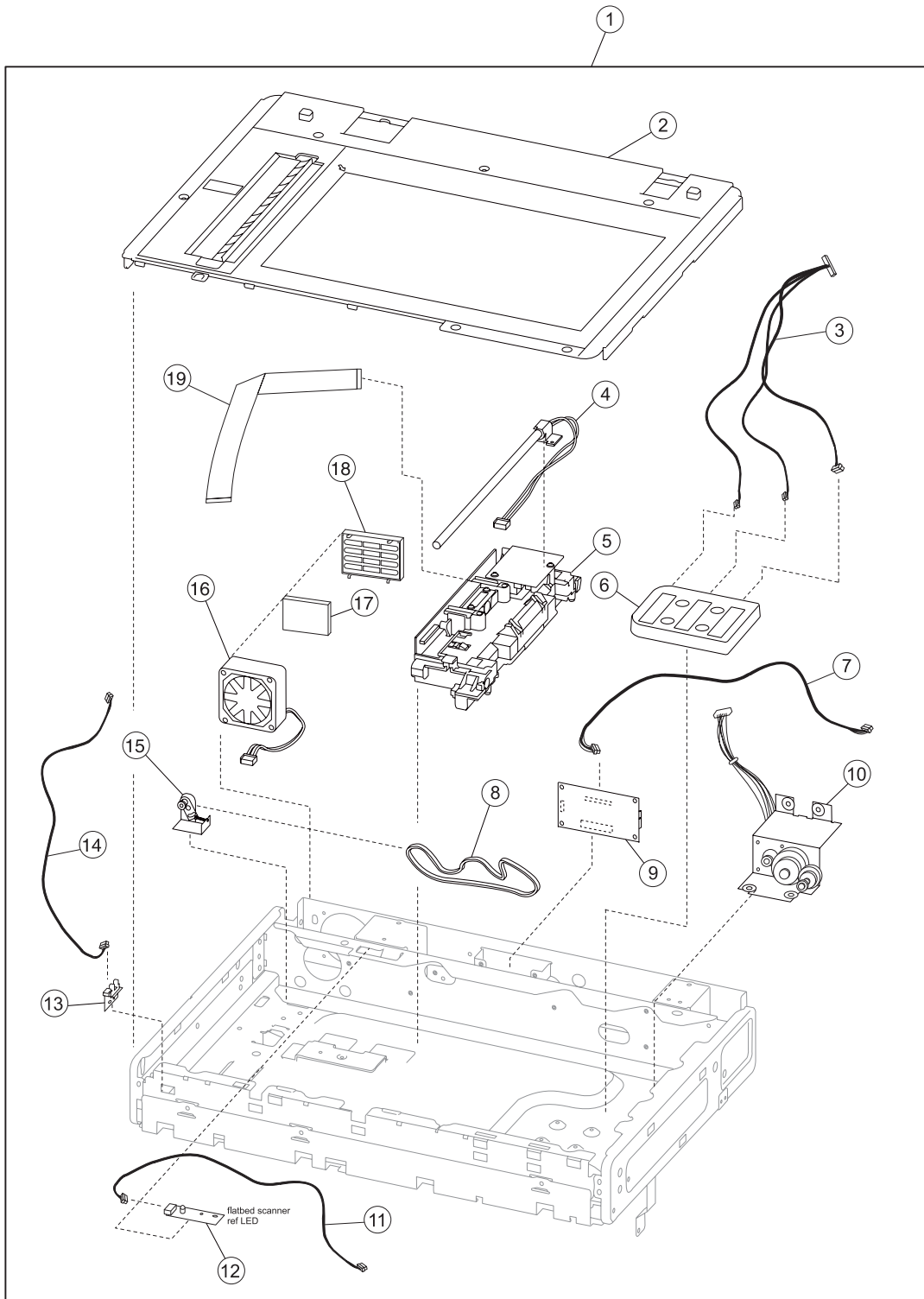
Previous



Next



Go Back



Assembly 10: Flatbed scanner

Asm-index	Part number	Units/option	Units/FRU	Description
1	50243301	1	1	Scanner unit assembly (MB780))
1	50243302	1	1	Scanner unit assembly (MB790)
2	50243401	1	1	Scanner platen glass cover assembly
3	56646113	1	1	Scanner FB length sensor cable assembly
4	56126601	1	1	Scanner exposure lamp
5	55113403	1	1	Scanner CCD assembly
6	50428710	1	1	Sensor (platen glass length) assembly
7		1	1	Flatbed scanner interface card cable assembly
8	51312801	1	1	Carriage belt
9	55113402	1	1	Scanner interface card assembly
10	56526705	1	1	Carriage drive motor assembly with cable
11	55113404	1	1	Scanner reference LED cable assembly
12		1	1	Scanner reference LED assembly
13	50428709	1	1	Sensor (scanner HP) with bracket
14	56646112	1	1	Scanner HP sensor cable assembly
15		1	1	Carriage belt tensioner assembly
16	56526706	1	1	Scanner cooling fan
17		1	1	Scanner cooling fan filter
18		1	1	Scanner filter cover
19		1	1	Scanner CCD ribbon cable (MB790)
19	56646103	1	1	Scanner CCD ribbon cable (MB780)

Warning: When replacing any of the following components:

- Scanner interface card assembly
- System card assembly
- Scanner unit assembly

Only replace one component at a time. replace the required component and perform a POR before replacing a second component listed above. If this procedure is not followed, the printer will be rendered inoperable. Never replace two or more of the components listed above without a POR after installing each one or the printer will be rendered inoperable.

These components can be used as a method of troubleshooting as long as the machine is booted into diagnostic mode or is operating in diagnostic mode. Once a component has been installed in a machine and powered up into user mode, it cannot be used in another machine. It must be returned to the manufacturer.

Previous

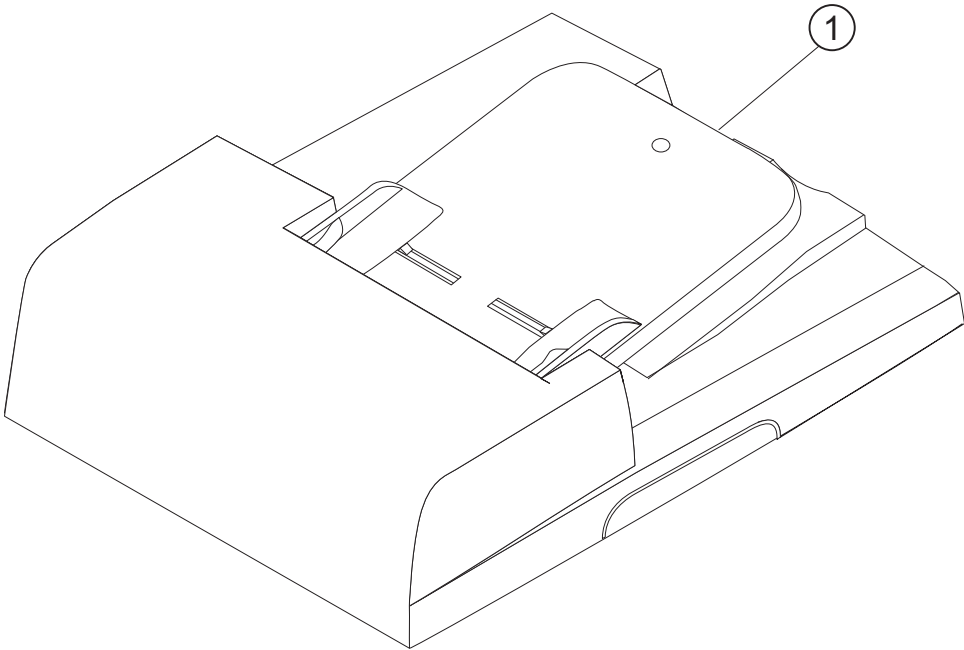


Next



Go Back

Assembly 11: ADF unit assembly



Previous



Next



Go Back

Assembly 11: ADF unit assembly

Asm-index	Part number	Units/option	Units/FRU	Description
1	50243201	1	1	ADF unit assembly (MB780 & MB790)

Previous

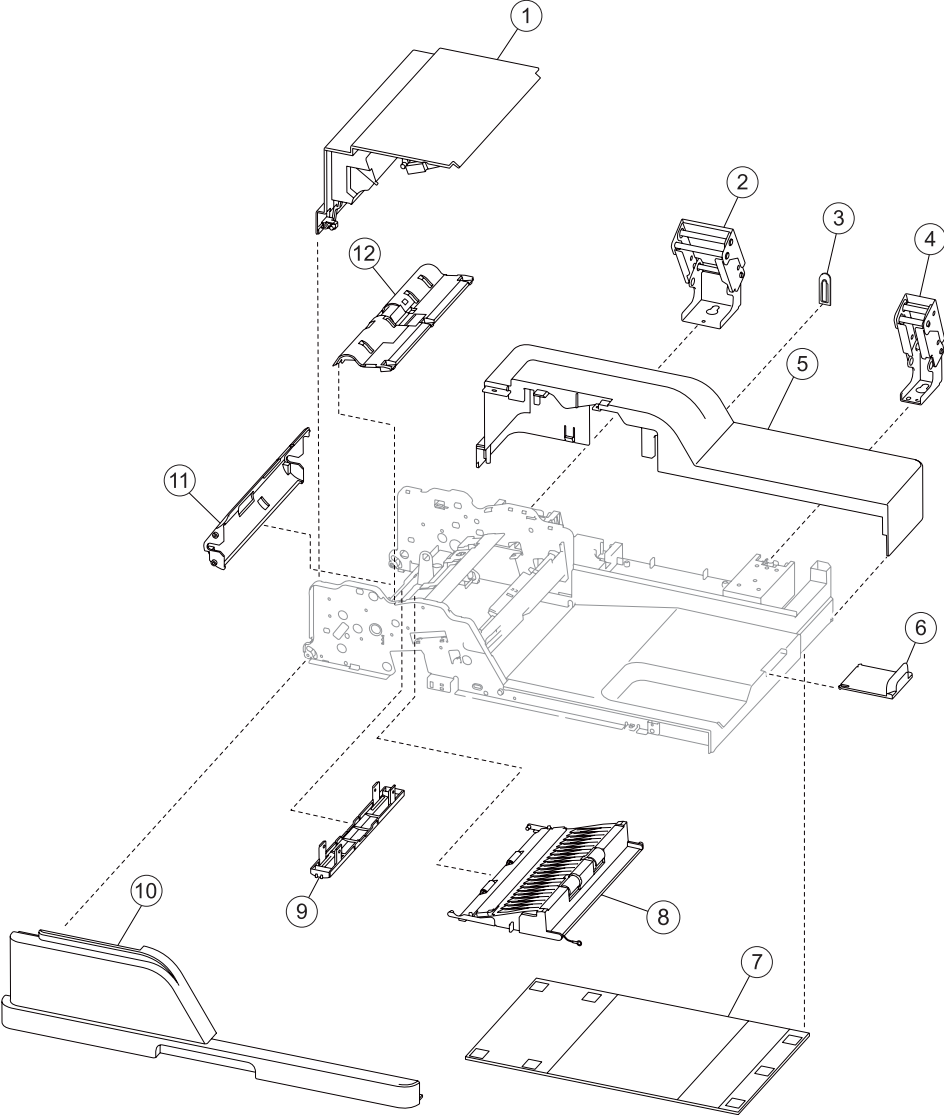


Next



Go Back

Assembly 12: ADF covers



Previous



Next



Go Back

Assembly 12: ADF covers

Asm-index	Part number	Units/option	Units/FRU	Description
1		1	1	ADF top door assembly
2		1	1	Left hinge assembly
4		1	1	Right hinge assembly
5		1	1	ADF cover, rear
6		1	1	Document tray extension
7	50520101	1	1	ADF platen cushion
8		1	1	ADF lower door assembly (MB780 & MB790)
9	50520102	1	1	Media pinch pad assembly
10		1	1	ADF cover, front
11		1	1	ADF turn guide
12	51035901	1	1	Pick pad cover assembly

Previous



Next



Go Back

Assembly 13: ADF feed and drive

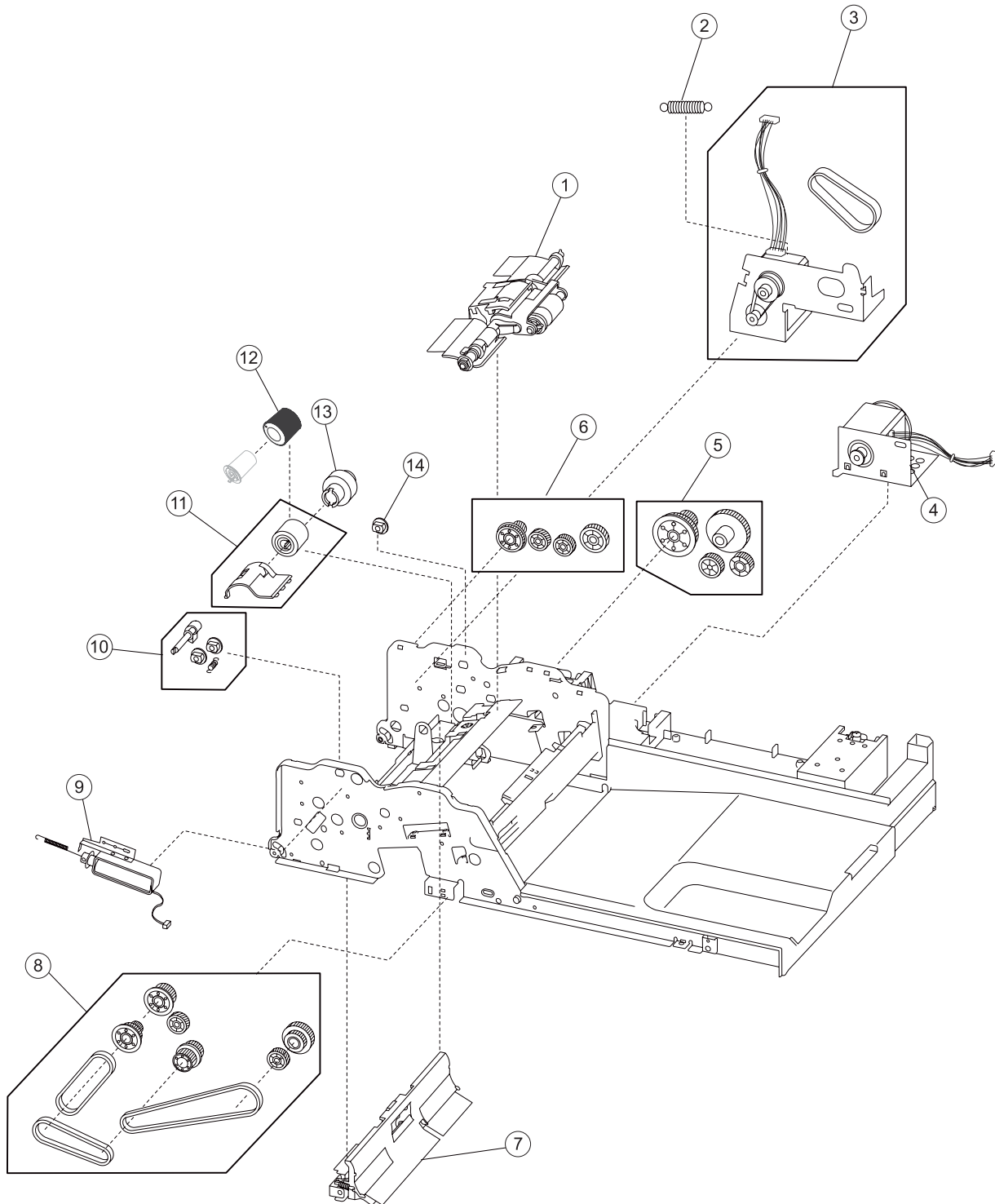
Previous



Next



Go Back



Assembly 13: ADF feed and drive

Asm-index	Part number	Units/ option	Units/ FRU	Description
1	50428506	1	1	ADF feed / pick roll assembly
2		1	1	Spring
3	56526712	1	3	Feed motor assembly with belt and cable
4	56526707	1	1	Transport motor bracket assembly with cable
5	51260801	1	4	Transport drive gear and pulley kit, rear
6	51403601	1	4	Feed one-way bearing and gear kit
7	50428507	1	1	Pinch roll assembly
8	51260802	1	9	Transport drive gear, pulley, and belt kit, front
9		1	1	ADF solenoid assembly
10	51260901	1	4	Pick roll position cam assembly
11	50428508	1	2	ADF separator roll and guide
12	50428602	1	1	ADF separator roll
13	51403602	1	1	Torque limiter
14		1	1	Bushing 6 mm

Previous

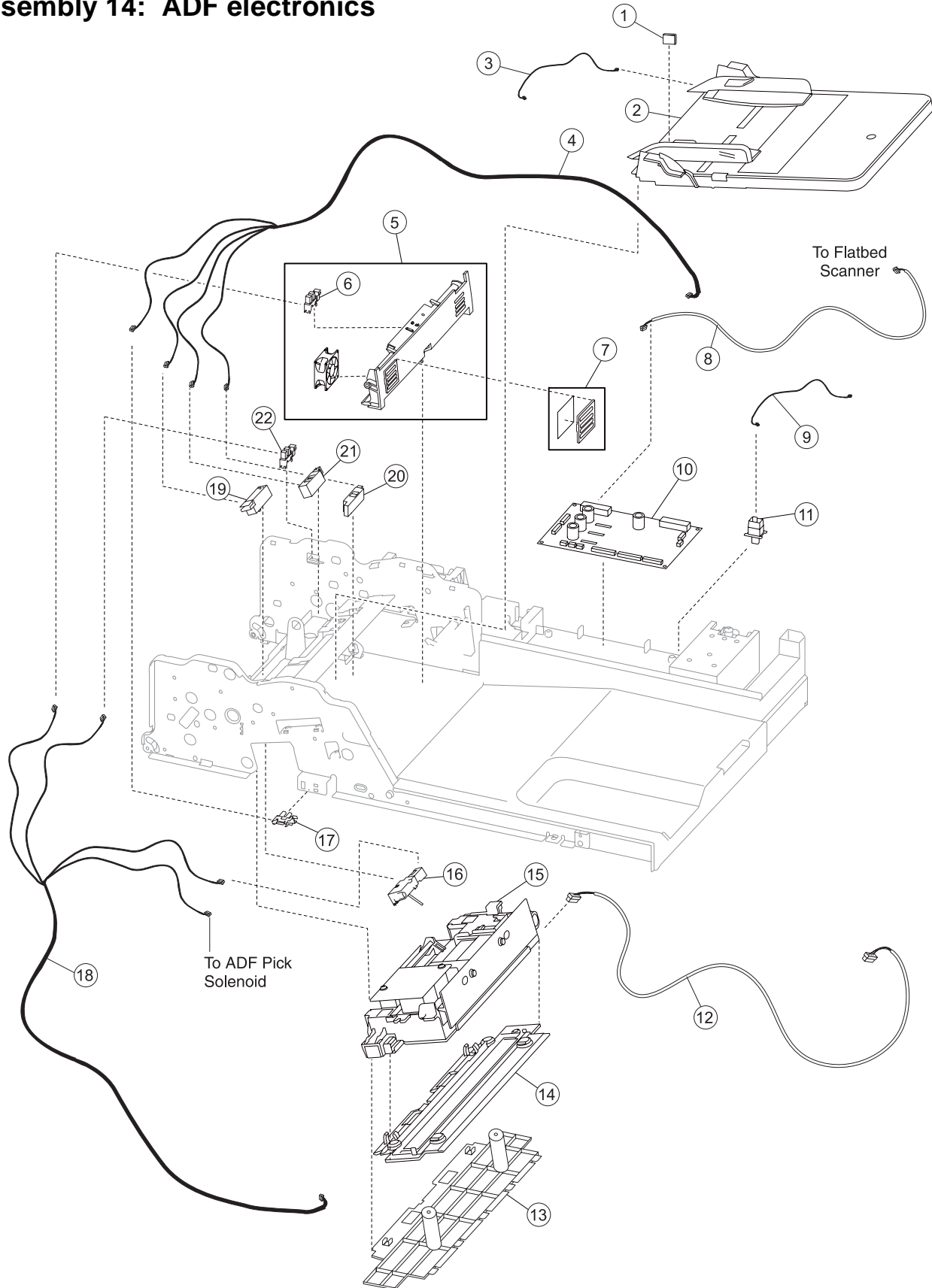


Next



Go Back

Assembly 14: ADF electronics



Previous



Next



Go Back

Assembly 14: ADF electronics

Asm-index	Part number	Units/ option	Units/ FRU	Description
1		1	1	Spacer
2	50145804	1	1	ADF document tray assembly
3	56646117	1	1	ADF tray length cable assembly
4	56646116	1	1	ADF sensor cable assembly 1
5				
5	50428717	1	1	Sensor (ADF media exit) bracket assembly with fan (MB780 & MB790)
6	50428711	1	1	Sensor (ADF media exit)
7		1	1	ADF filter and cover (MB780 & MB790)
8	56646114	1	1	ADF interface cable assembly
9	56646115	1	1	ADF closed interlock switch cable assembly
10		1	1	ADF controller card assembly
11		1	1	Switch (ADF closed interlock)
12		1	1	Duplex CCD interface cable assembly (MB780 & MB790)
14	51035902	1	1	ADF duplex CCD scan glass assembly (MB780 & MB790)
15	55113405	1	1	ADF duplex CCD assembly (MB780 & MB790)
16	50428701	1	1	Sensor (ADF 2nd scan)
17	50428711	1	1	Sensor (ADF lower door interlock)
18	56646118	1	1	ADF sensor cable assembly 2
19	50428712	1	1	Sensor (ADF 1st scan)
20	50428713	1	1	Sensor (ADF document set)
21	50428712	1	1	Sensor (ADF sheet through)
22	50428711	1	1	Sensor (ADF top door interlock)

Previous

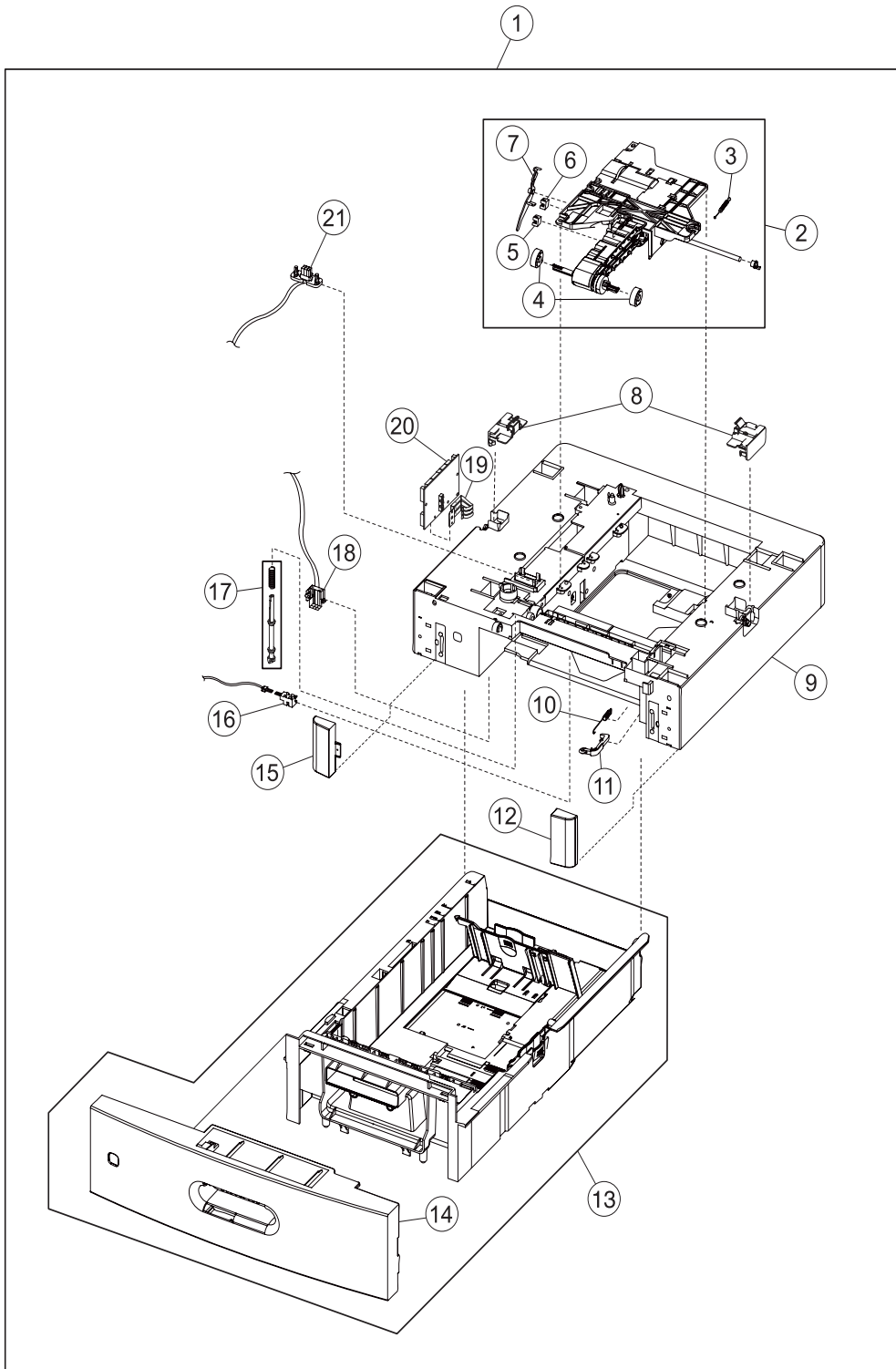


Next



Go Back

Assembly 15: 550 Sheet option tray assembly (MB790)



Previous



Next



Go Back

Assembly 15: 550 Sheet option tray assembly (MB790)

Asm-Index	Part number	Units/mach	Units/kit or pkg	Description
1	50145802	1	1	Complete 550 sheet option tray assembly
2		1	1	550 Sheet pick arm bracket assembly
3	50941302	1	1	550 Sheet bellcrank recoil spring
4	50428503	1	1	Pick roll assembly (2)
5	50428704	1	1	Sensor (media low)
6	50428704	1	1	Sensor (media empty)
7	53366403	1	1	550 Sheet media out actuator
8		2	2	Anti-tip latch assembly
9	50243503	1	1	550 Sheet option drawer assembly
10	50941301	1	1	Media tray catch spring
11	50428504	1	1	Media tray roller catch assembly
12		1	1	550 Sheet tray right cover
13		1	1	Media tray assembly, 550 sheet
14		1	1	Cover, 550 sheet tray front
15		1	1	550 Sheet tray left cover
16	50428714	1	1	Sensor (pass through) with cable
17		1	2	550 Option drive shaft with spring
18		1	1	Lower interface cable assembly
19		1	1	Media size actuator
20		1	1	550 Sheet tray controller card assembly
21	56646119	1	1	Upper interface cable assembly

Previous



Next



Go Back

Assembly 16: 250 Sheet option tray assembly (MB780)

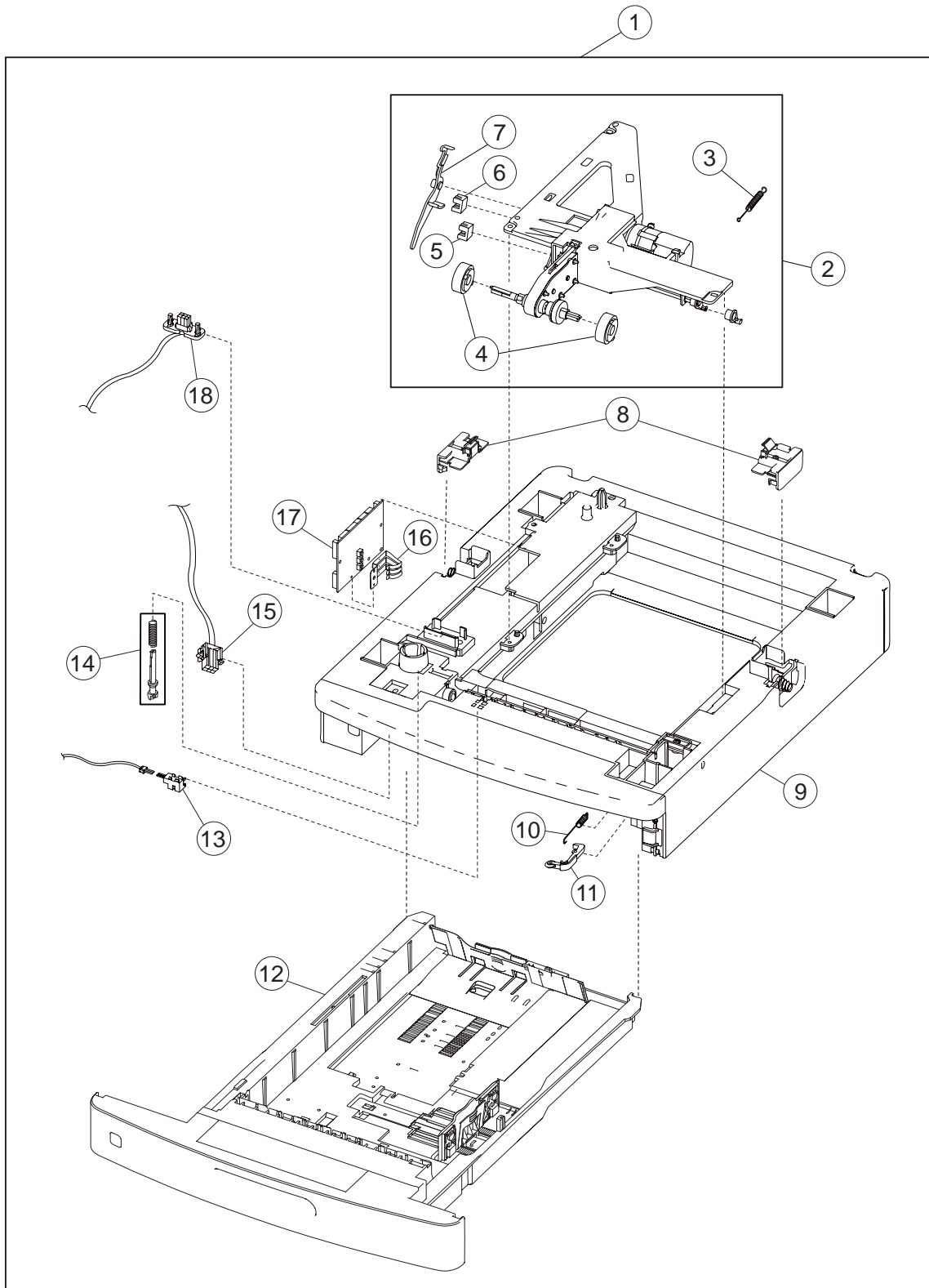
Previous



Next



Go Back



Assembly 16: 250 Sheet option tray assembly (MB780)

Asm-Index	Part number	Units/mach	Units/kit or pkg	Description
1	50145805	1	1	Complete 250 sheet option tray assembly
2	50243202	1	1	250 Sheet pick arm bracket assembly
3		1	1	250 Sheet bellcrank recoil spring
4	50428503	2	1	Pick roll assembly (2)
5	50428704	1	1	Sensor (media low)
6	50428704	1	1	Sensor (media empty)
8		1	1	Anti-tip latch assembly
9	50243501	1	1	250 Sheet option drawer assembly
10	50941301	1	1	Media tray catch spring
11	50428504	1	1	Media tray roller catch assembly
12		1	1	Media tray assembly, 250 sheet
13	50428714	1	1	Sensor (pass through) with cable
14		1	1	250 Option drive shaft with spring
15		1	1	Lower interface cable assembly
16		1	1	Media size actuator
17		1	1	250 Sheet controller card assembly
18	56646119	1	1	Upper interface cable assembly

Previous



Next



Go Back

Assembly 17: 550 Sheet option tray assembly (MB780)

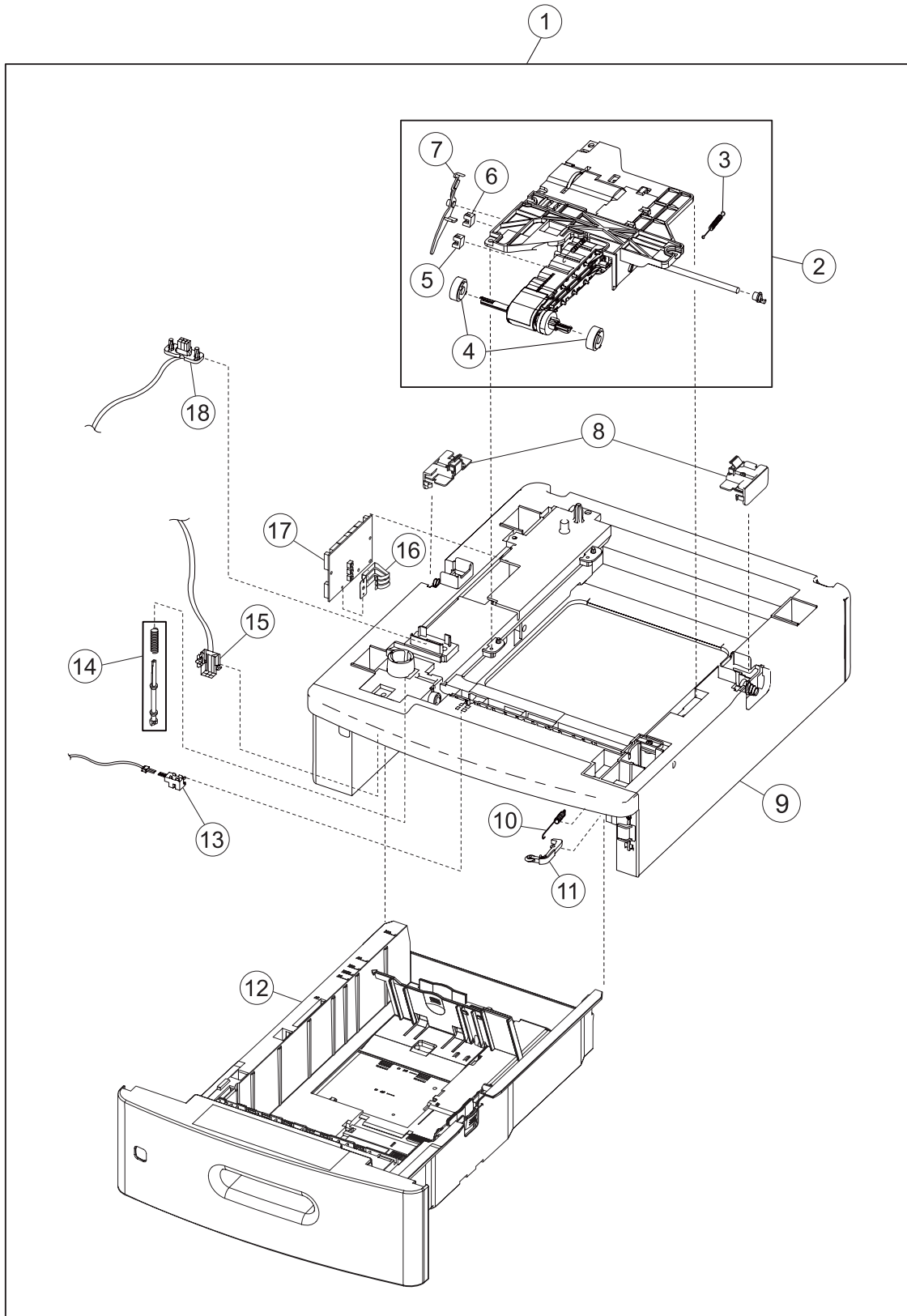
Previous



Next



Go Back



Assembly 17: 550 Sheet option tray assembly (MB780)

Asm-Index	Part number	Units/mach	Units/kit or pkg	Description
1		1	1	Complete 550 sheet option tray assembly
2		1	1	550 Sheet pick arm bracket assembly
3	50941302	1	1	550 Sheet bellcrank recoil spring
4	50428503	1	2	Pick roll assembly (2)
5	50428704	1	1	Sensor (media low)
6	50428704	1	1	Sensor (media empty)
7	53366403	1	1	550 Sheet media out actuator
8		2	2	Anti-tip latch assembly
9	50243502	1	1	550 Sheet option drawer assembly
10	50941301	1	1	Media tray catch spring
11	50428504	1	1	Media tray roller catch assembly
12		1	1	Media tray assembly, 550 sheet
13	50428714	1	1	Sensor (pass through) with cable
14		1	1	550 Option drive shaft with spring
15		1	1	Lower interface cable assembly
16		1	1	Media size actuator
17		1	1	550 Sheet controller card assembly
18	56646119	1	1	Upper interface cable assembly

Previous



Next



Go Back

Assembly 18: HCIT Sheet option tray assembly (MB780)

Asm-Index	Part number	Units/mach	Units/kit or pkg	Description
1		1	1	Complete HCIT option tray assembly
2		1	2	HCIT pick arm bracket assembly
3		1	1	Pick arm sensor cable assembly
4		1	1	HCIT bellcrank recoil spring
5	50428503	2	2	Pick roll assembly (2)
6	50428704	1	1	Sensor (media low)
7	53366403	1	1	550 Sheet media out actuator
8	50428704	2	1	Sensor (media empty)
9		1	1	HCIT cover, rear
10		1	1	Anti-tip latch assembly
11	50428715	1	1	Sensor (HCIT tray raised HP) with cable assembly
12		1	1	HCIT cover, right
13	56526708	1	1	HCIT tray lift drive motor assembly
14		1	2	HCIT tray closed latch with spring
15		2	1	HCIT drawer slide assembly
16	50145806	1	1	HCIT media tray assembly
17		1	1	HCIT tray cover, front
18	50428716	1	2	Sensor (HCIT pass through) with cable
19		1	1	HCIT interface cable assembly
20		1	1	HCIT controller card assembly
21		1	4	HCIT media size actuator assembly
22		1	1	HCIT cover, left

Previous

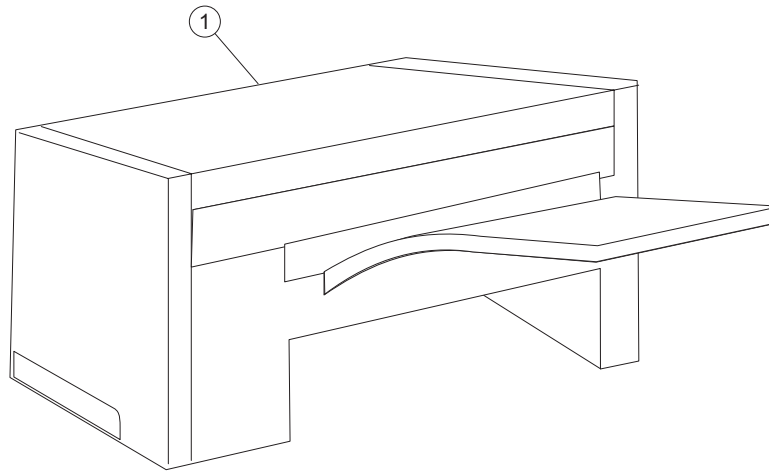


Next



Go Back

Assembly 19: MFP stapler assembly



Previous



Next



Go Back

Assembly 19: MFP stapler assembly #1

Asm-Index	Part number	Units/mach	Units/kit or pkg	Description
1		1	1	MFP stapler assembly (comes completely assembled)

Previous



Next



Go Back

Assembly 20: MFP stapler assembly #2

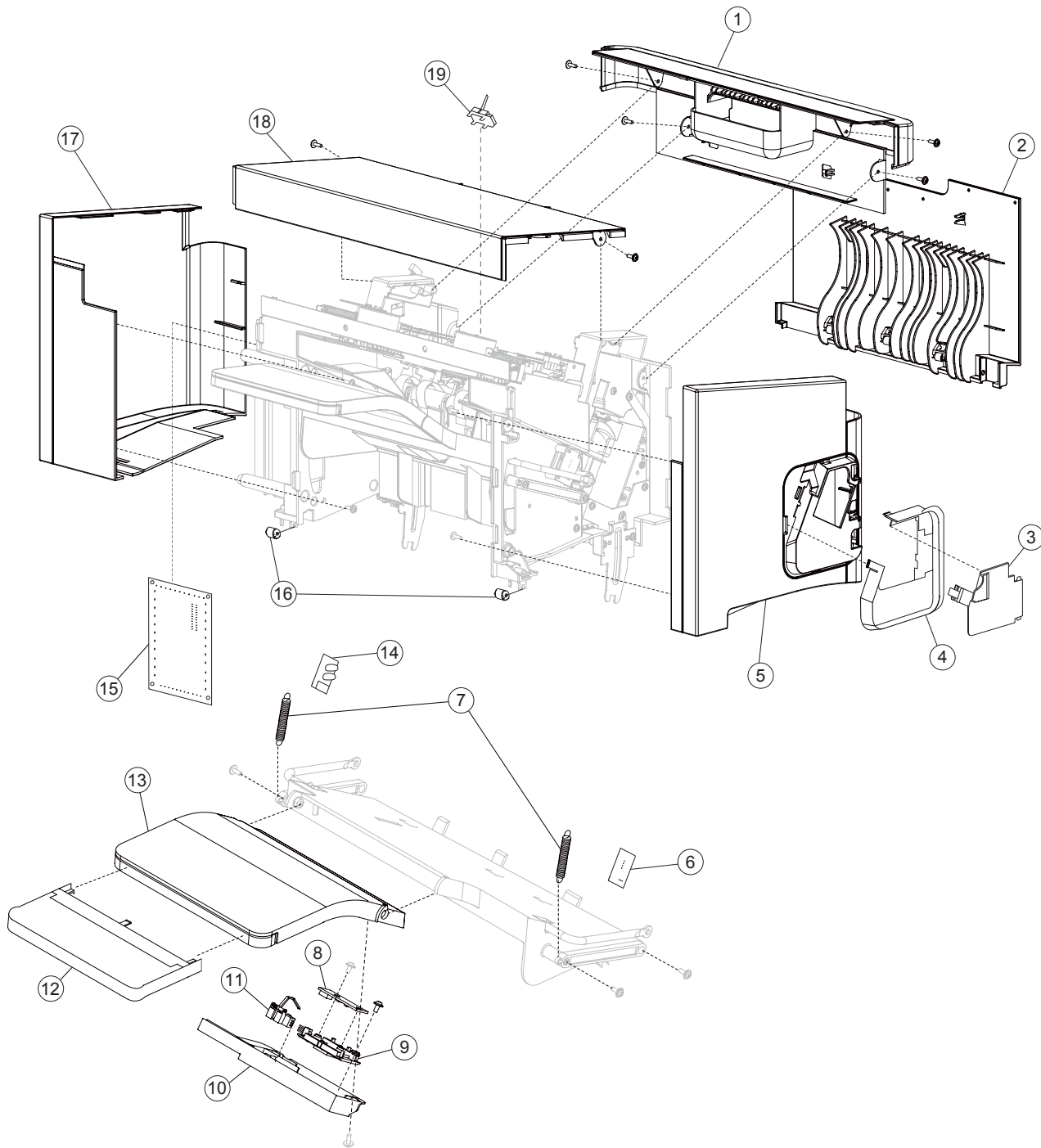
Previous



Next



Go Back



Assembly 20: MFP stapler assembly #2

Asm-Index	Part number	Units/mach	Units/kit or pkg	Description
1		1	1	Handle cover
2	53102503	1	1	Rear door assembly
3		1	1	Stapler cover
4		1	1	Hollow cover
5		1	1	Right cover
6	50428720	1	1	Sensor (bin full receive)
7		1	2	Finisher bin spring
8		1	1	Standard output bin LED
9		1	1	LED clear lens
10		1	1	LED sensor cover
11	50428718	1	1	Sensor (finisher bin media present)
12		1	1	Media output bin extension
13		1	1	Media output bin
14	50428719	1	1	Sensor (bin full send)
15	55113406	1	1	Stapler/stacker controller card assembly
16	50428601	1	1	Attach roller
17		1	1	Left cover
18		1	1	Top cover
19	50428721	1	1	Sensor (stapler/stacker pass through)

Previous

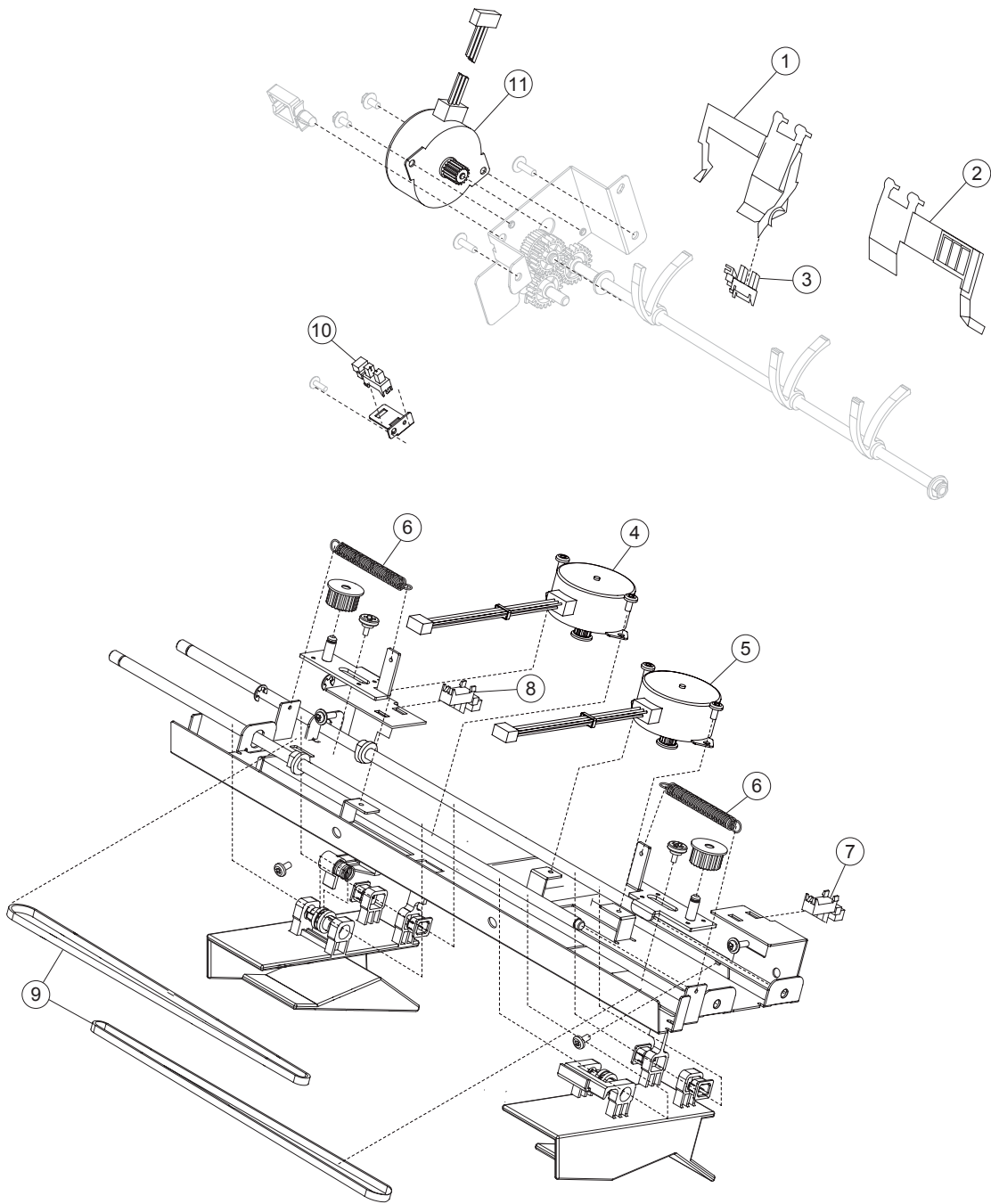


Next



Go Back

Assembly 21: MFP stapler assembly #3



Previous



Next



Go Back

Assembly 21: MFP stapler assembly #3

Asm-Index	Part number	Units/mach	Units/kit or pkg	Description
1		1	1	Media stack flap actuator
2		1	1	Media stack flap
3	50428704	1	1	Sensor (media stack)
4		1	1	Left tamper motor assembly
5		1	1	Right tamper motor assembly
6		1	2	Tamper recoil spring
7	50428704	1	1	Sensor (tamper HP right)
8	50428704	1	1	Sensor (tamper HP left)
9		1	1	Tamper drive belt
10	50428704	1	1	Sensor (paddle HP)
11		1	1	Paddle drive motor

Previous

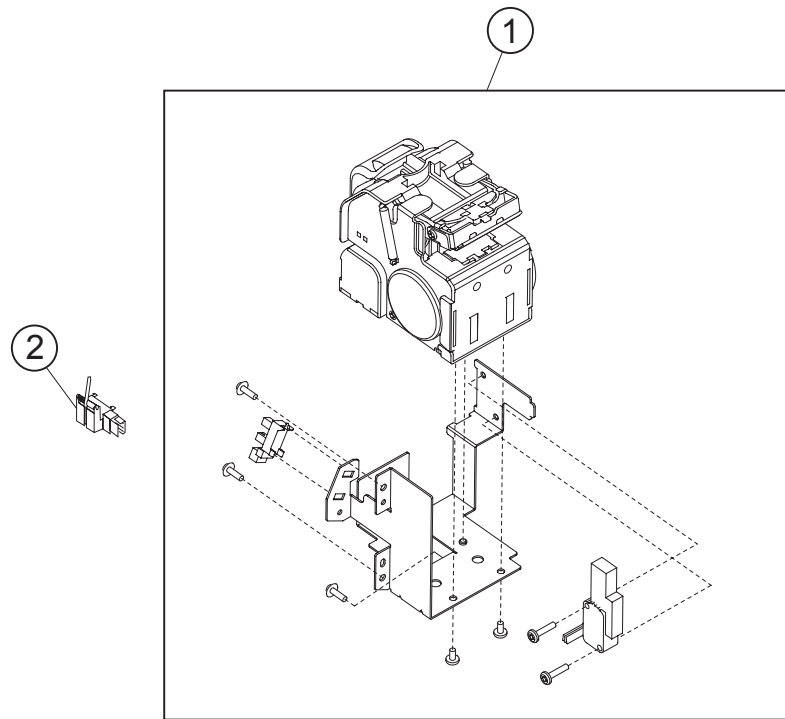


Next



Go Back

Assembly 22: MFP stapler assembly #4



Previous



Next



Go Back

Assembly 22: MFP stapler assembly #4

Asm-Index	Part number	Units/mach	Units/kit or pkg	Description
1		1	1	Stapler assembly
2	50428722	1	1	Sensor (media in stapler)

Previous

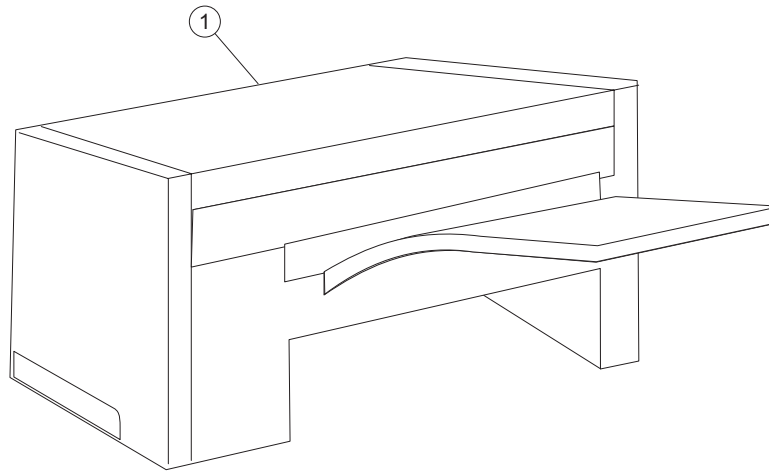


Next



Go Back

Assembly 23: MFP offset stacker assembly #1



Previous



Next



Go Back

Assembly 23: MFP offset stacker assembly #1

Asm-Index	Part number	Units/mach	Units/kit or pkg	Description
1		1	1	MFP offset stacker assembly (comes completely assembled)

Previous



Next



Go Back

Assembly 24: MFP Offset stacker #2

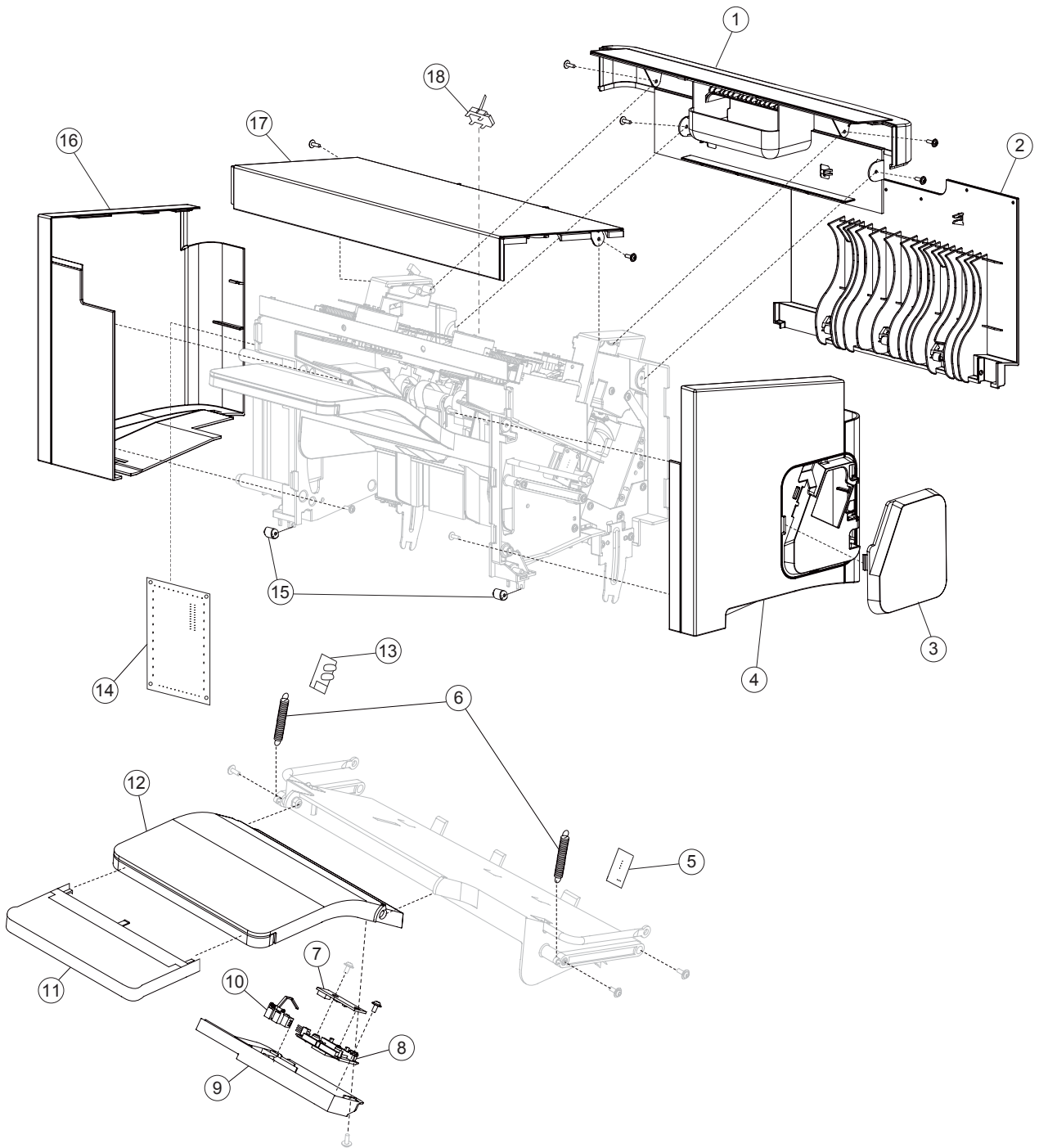
Previous



Next



Go Back



Assembly 24: MFP Offset stacker #2

Asm-Index	Part number	Units/mach	Units/kit or pkg	Description
1		1	1	Handle cover
2	53102503	1	1	Rear door assembly
3		1	1	Stapler cover
4		1	1	Right cover
5	50428720	1	1	Sensor (bin full receive)
6		1	2	Finisher bin spring
7		1	1	Standard output bin LED
8		1	1	LED clear lens
9		1	1	LED sensor cover
10	50428718	1	1	Sensor (finisher bin media present)
11		1	1	Media output bin extension
12		1	1	Media output bin
13	50428719	1	1	Sensor (bin full send)
14	55113406	1	1	Stapler/stacker controller card assembly
15	50428601	1	1	Attach roller
16		1	1	Left cover
17		1	1	Top cover
18	50428721	1	1	Sensor (stapler/stacker pass through)

Previous

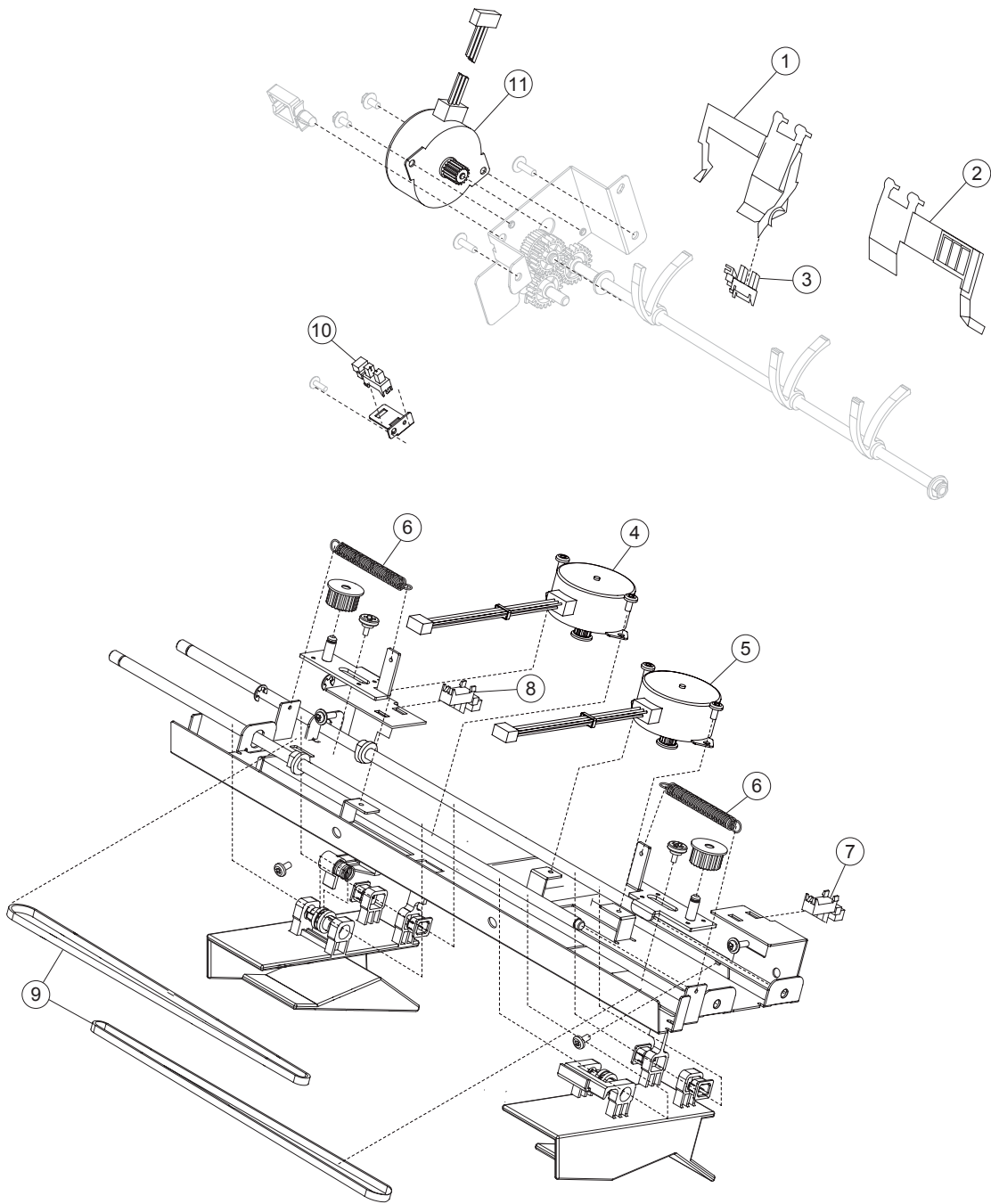


Next



Go Back

Assembly 25: MFP Offset stacker #3



Previous



Next



Go Back

Assembly 25: MFP Offset stacker #3

Asm-Index	Part number	Units/mach	Units/kit or pkg	Description
1		1	1	Media stack flap actuator
2		1	1	Media stack flap
3	50428704	1	1	Sensor (media stack)
4		1	1	Left tamper motor assembly
5		1	1	Right tamper motor assembly
6		1	2	Tamper recoil spring
7	50428704	1	1	Sensor (tamper HP right)
8	50428704	1	1	Sensor (tamper HP left)
9		1	1	Tamper drive belt
10	50428704	1	1	Sensor (paddle HP)
11		1	1	Paddle drive motor

Previous

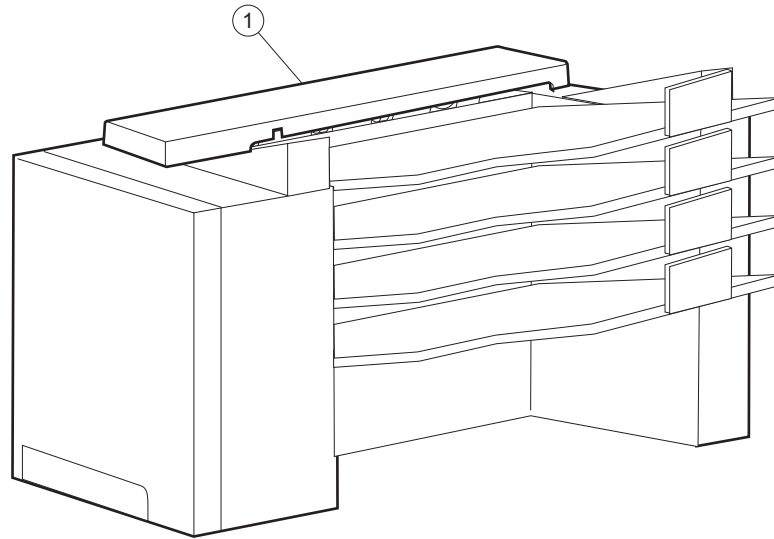


Next



Go Back

Assembly 26: MFP 4-bin mailbox assembly #1



Previous



Next



Go Back

Assembly 26: MFP 4-bin mailbox assembly #1

Asm-Index	Part number	Units/mach	Units/kit or pkg	Description
1		1	1	MFP 4 bin mailbox assembly (comes completely assembled)

Previous

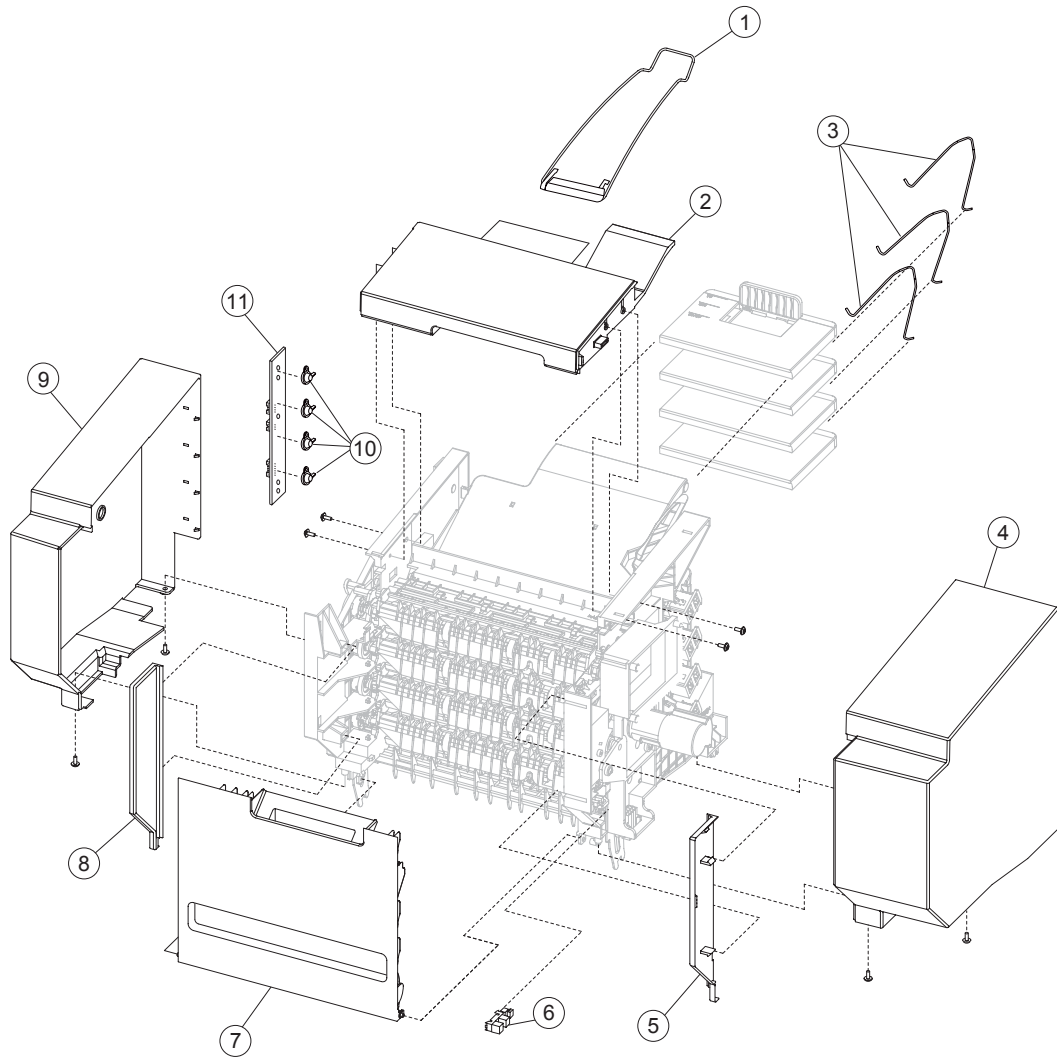


Next



Go Back

Assembly 27: MFP 4-bin mailbox assembly #2



Previous



Next



Go Back

Assembly 27: MFP 4-bin mailbox assembly #2

Asm-Index	Part number	Units/mach	Units/kit or pkg	Description
1		1	1	Top media bin bail
2		1	1	Top cover
3		3	1	1st - 3rd media bail
4		1	1	Left cover
5		1	1	Left rear inner cover
6	50428704	1	1	Sensor (deflector gate HP)
7	53102404	1	1	Rear door assembly
8		1	1	Right rear inner cover
9		1	1	Right cover
10		1	1	LED card assembly
11		4	1	Media output bin light pipe

Previous

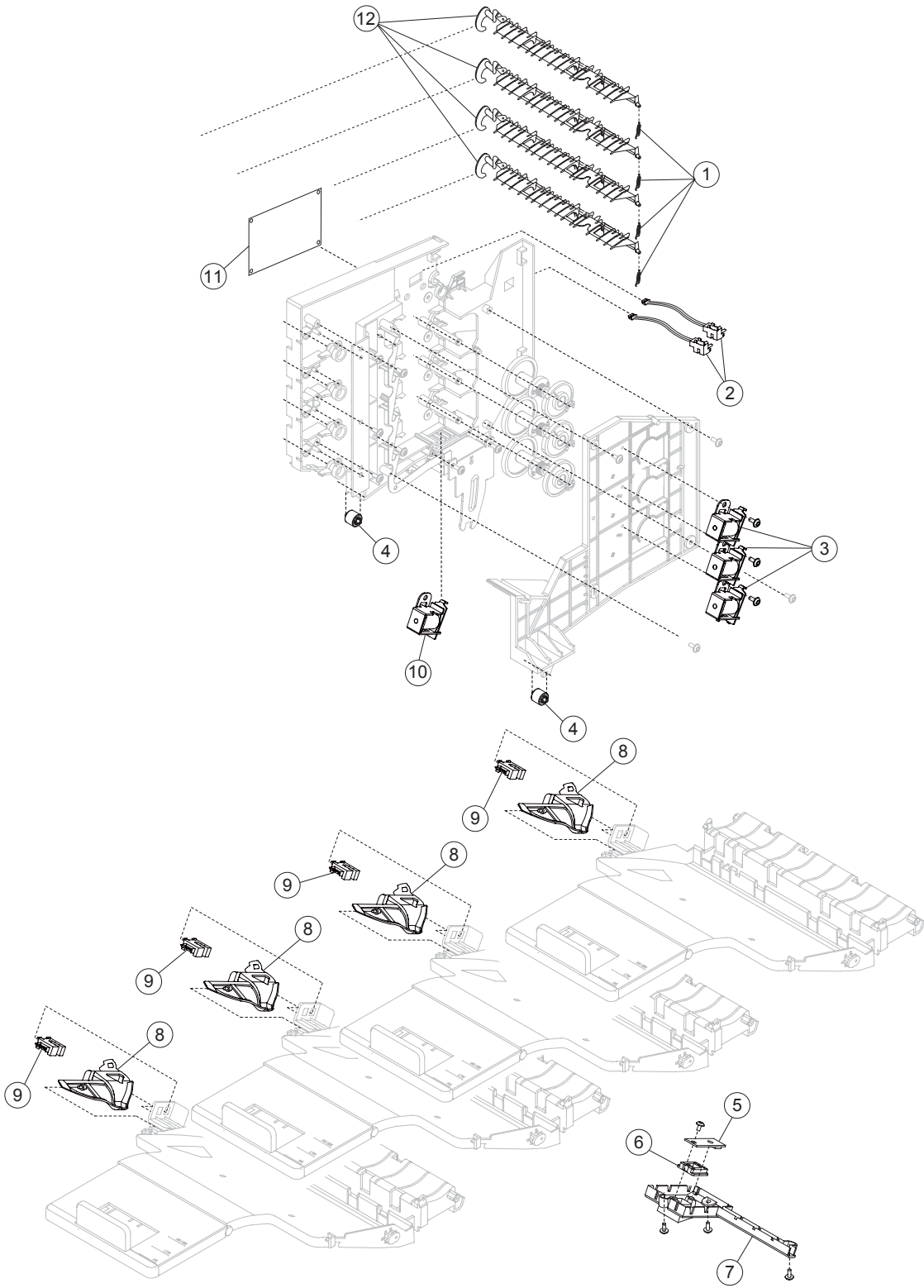


Next



Go Back

Assembly 28: MFP 4-bin mailbox assembly #3



Previous



Next



Go Back

Assembly 28: MFP 4-bin mailbox assembly #3

Asm-Index	Part number	Units/mach	Units/kit or pkg	Description
1		4	1	Spring
2		2	1	Sensor (pass through)
3		3	1	Deflector gate solenoid
4	50428601	1	1	Attach roller
5		1	1	Standard output bin LED
6		1	1	LED clear lens
7		1	1	Output bin LED bracket
8	53366402	4	1	Media bin full actuator
9		4	1	Sensor (media bin full)
10		1	1	Transport solenoid
11	55113407	1	1	4 bin mailbox controller card assembly
12	50817002	4	1	Media bin deflector

Previous

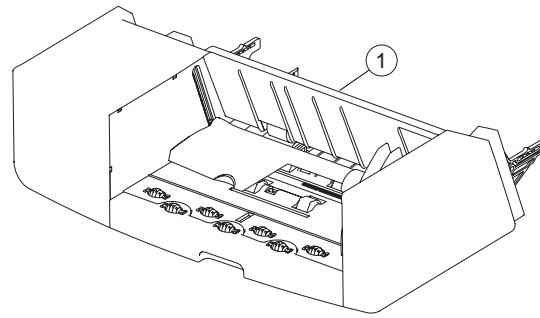


Next



Go Back

Assembly 29: Envelope feeder



Previous



Next



Go Back

Assembly 29: Envelope feeder

Asm-Index	Part number	Units/mach	Units/kit or pkg	Description
1		1	1	Envelope feeder (MB790 only)

Previous



Next



Go Back

Assembly 30: Miscellaneous

Asm-Index	Part number	Units/mach	Units/kit or pkg	Description
NS		1	1	Relocation kit (MB780)
NS		1	1	Relocation kit (MB790)
NS		1	1	Printer maintenance kit (100 V type 1 fuser)
NS	57108101	1	1	Printer maintenance kit (110 V type 1 fuser)
NS		1	1	Printer maintenance kit (220 V type 1 fuser)
NS		1	1	Printer maintenance kit (100 V type 2 fuser)
NS	57108102	1	1	Printer maintenance kit (110 V type 2 fuser)
NS		1	1	Printer maintenance kit (220 V type 2 fuser)
NS	57108103	1	1	ADF maintenance kit
NS		1	1	256 MB SO-DIMM
NS		1	1	512MB SO-DIMM
NS		1	1	1GB (1024MB) SO-DIMM
NS		1	1	256MB user flash memory card
NS	55113601	1	1	TAA hard drive assembly with connector
NS		1	1	PrintCryption card
NS		1	1	Korean font card
NS		1	1	Simplified Chinese font card
NS		1	1	Traditional Chinese font card
NS		1	1	Japanese font card
NS		1	1	Bar code/forms card
NS		1	1	IPDS card (available w/EMEA, AP, LAD
NS		1	1	Forms card with P269UBC code for UBOC
NS		1	1	Parts pack, ISP thumbscrew and standoff
NS		1	1	ISP interface cable assembly
NS		1	1	MarkNet N8120 gigabit ethernet print server
NS		1	1	MarkNet N8130 fiber ethernet print server
NS		1	1	MarkNet N8150 802.11n wireless print server (US/Americas)
NS		1	1	MarkNet N8150 802.11n wireless print server (WW, except US/Americas)
NS		1	1	N4000e print server
NS		1	1	N4050e (1 port USB) wireless 802.11g (US/Americas)
NS		1	1	MarkNet N7002e (1 port parallel) ethernet 10baseT/100BaseTX
NS		1	1	MarkNet N7002e (1 port parallel) ethernet 10base T/100Base TX
NS		1	1	MarkNet N7020e (4 port USB) ethernet 10base T/100Base TX/1000BaseT
NS		1	1	RS-232C serial interface card
NS		1	1	Parallel 1284-B interface card
NS		1	1	10-Foot parallel printer cable
NS		1	1	2-Meter USB printer cable
NS	55113408	1	1	MarkNet N8110-v.34 fax card
NS		1	1	Fax interface card assembly
NS	51036001	1	1	Fuser oil wiper (black housing)
NS	51036002	1	1	Fuser wax wiper (gray housing)

Previous



Next



Go Back

Assembly 30 (continued): Miscellaneous

Asm-Index	Part number	Units/mach	Units/kit or pkg	Description
NS		1	1	Locking universal media drawer with tray, 200 sheet (excluding MB790)
NS		1	1	Locking media drawer with tray, 550 sheet (excluding MB790)
NS		1	1	Locking universal media drawer with tray, 400 sheet (excluding MB790)

Previous



Next



Go Back

Assembly 31: Power cords

Asm-Index	Part number	Units/mach	Units/kit or pkg	Description
NS		1	1	Power cord LV, USA & Canada, Latin America
NS		1	1	Power cord HV, Argentina
NS		1	1	Power cord HV, Chile, Uruguay
NS		1	1	Power cord HV, Paraguay, Austria, Belgium, France, Germany, Italy, Netherlands, Bluemark, Czech & Solvic countries, Greece, Hungary, Medmark 1, Medmark 2, Arabic, Poland, Russia, CIS, Spain, Portugal, & Ireland
NS	56646201	1	1	Power cord LV, Brazil PPB kits
NS		1	1	Power cord HV, Asian, Brunei, Cambodia, Indonesia, Laos, Malaysia, Myanmar, Philippines, Singapore, Thailand, Vietnam, Afghanistan, Bangladesh, Bhutan, India, Nepal, Pakistan, Sri Lanka, Tibet, & Hong Kong
NS		1	1	Power cord HV, Australia & New Zealand
NS		1	1	Power cord 100 V, Japan
NS		1	1	Power cord, HV, Korea
NS		1	1	Power cord, HV PRC
NS		1	1	Power cord LV, Taiwan
NS		1	1	Power cord HV, Denmark, Finland, Norway, Sweden
NS		1	1	Power cord, HV, Israel
NS		1	1	Power cord HV, South Africa, Namibia, Lesotho, Botswana & Pakistan
NS		1	1	Power cord HV, Switzerland

Previous



Next



Go Back

Assembly 32: Universal trays and accessories

Asm-Index	Part number	Units/mach	Units/kit or pkg	Description
NS	50145807	1	1	Universal media drawer with tray, 200 sheet (MB780)
NS		1	1	Universal media tray, 200 sheet (MB780)
NS		1	1	Universal media drawer with tray, 400 sheet (MB780)
NS		1	1	Universal media tray, 400 sheet (MB790)
NS		1	1	Wear strips, smooth 250 sheet
NS		1	1	Wear strips, dimpled 250 sheet
NS		1	1	Wear strips, 3 row dimpled 250 sheet
NS		1	1	Wear strips, 4 row dimpled 250 sheet
NS		1	1	Wear strips, 3 row dimpled 550 sheet
NS		1	1	Wear strips, dinky 550 sheet
NS		1	1	Wear strips, 3 row dimpled 550 sheet
NS		1	1	Wear strips, 4 row dimpled 550 sheet
NS		1	1	250 sheet tray replacement wear strip kit
NS		1	1	550 sheet tray replacement wear strip kit
NS		1	1	Klear screen wipe

Previous



Next



Go Back