

MB780/MB790MFP

Spare Parts

Illustration Manual

11111A

Assembly 1: Covers (MB780)

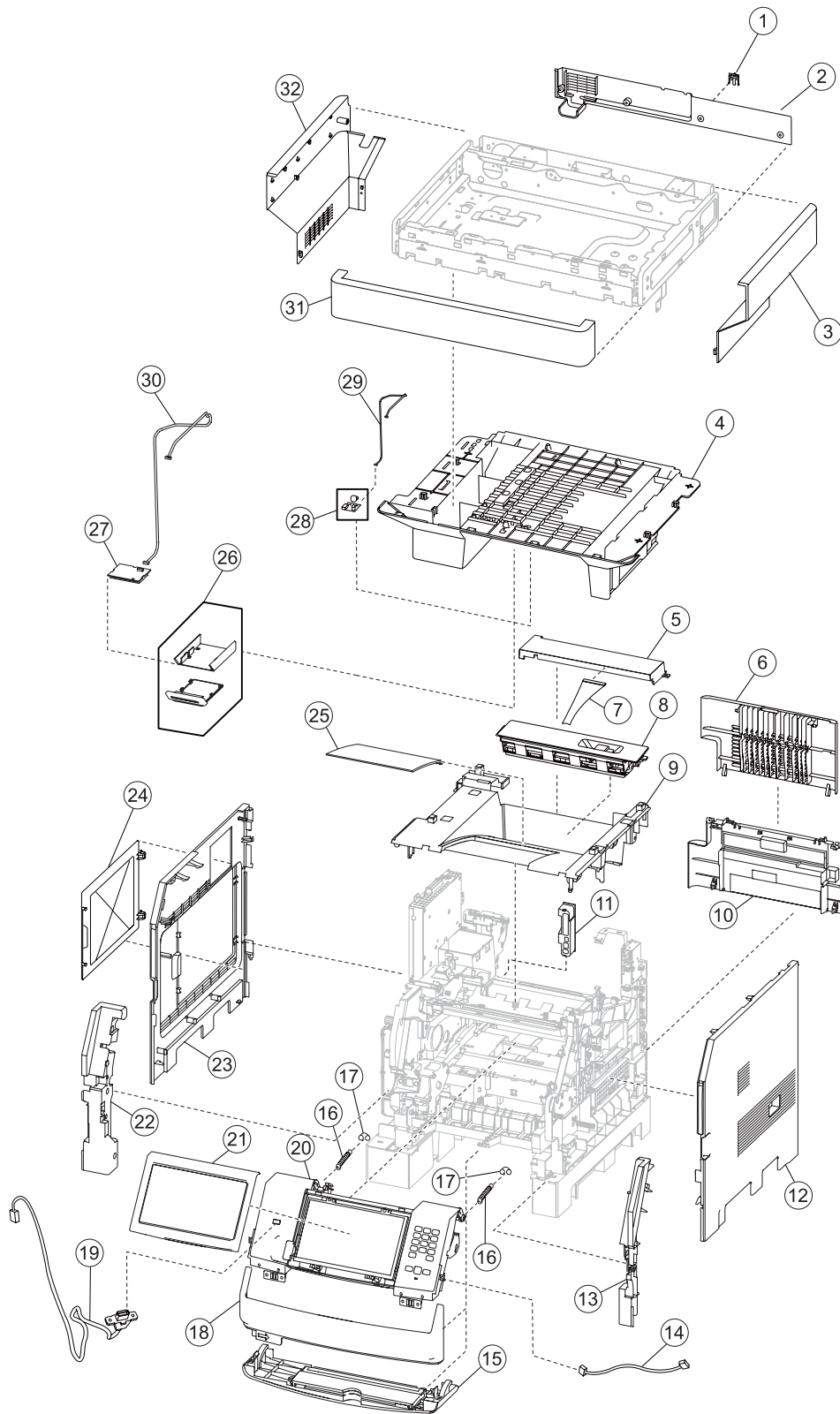
Previous



Next



Go Back



Assembly 1: Covers (MB780)

Asm-index	Part number	Units/option	Units/FRU	Description
2		1	1	Scanner cover, rear
3		1	1	Scanner cover, right
4		1	1	Scanner support platform
5		1	1	Output cover assembly
6	53102403	1	1	Door assembly, rear
7		1	1	Output bail
8	53102502	1	1	Fuser wiper cover
9		1	1	Laser cover assembly, 550 sheet
10		1	1	Cover assembly, rear lower
11		1	1	Connection bezel assembly, rear
12		1	1	Side cover, right
13		1	1	Inner cover, right
14		1	1	Operator panel cable assembly
15		1	1	MPF tray door assembly
16		2	1	Counter balance spring
17		2	1	Spring connector
18		1	1	Operator panel door latch assembly
19		1	1	USB cable assembly
20		1	1	Operator panel door assembly with hinges
20		1	1	Operator panel door assembly with hinges
21		1	1	MB780 touch screen bezel
22		1	1	Inner cover, left
23		1	1	Side cover, left
24		1	1	Access door
25		1	1	Media support
26		1	1	Card reader cover assembly
27		1	1	Card reader assembly (5125 contact/HID)
27		1	1	Card reader assembly (3121 contact)
27		1	1	Card reader assembly (5121 contact/RFID)
28		1	1	Standard output bin LED assembly
29		1	1	Standard output bin LED cable assembly
30		1	1	Card reader cable assembly
31		1	1	Scanner cover, front
32		1	1	Scanner cover, left

Previous

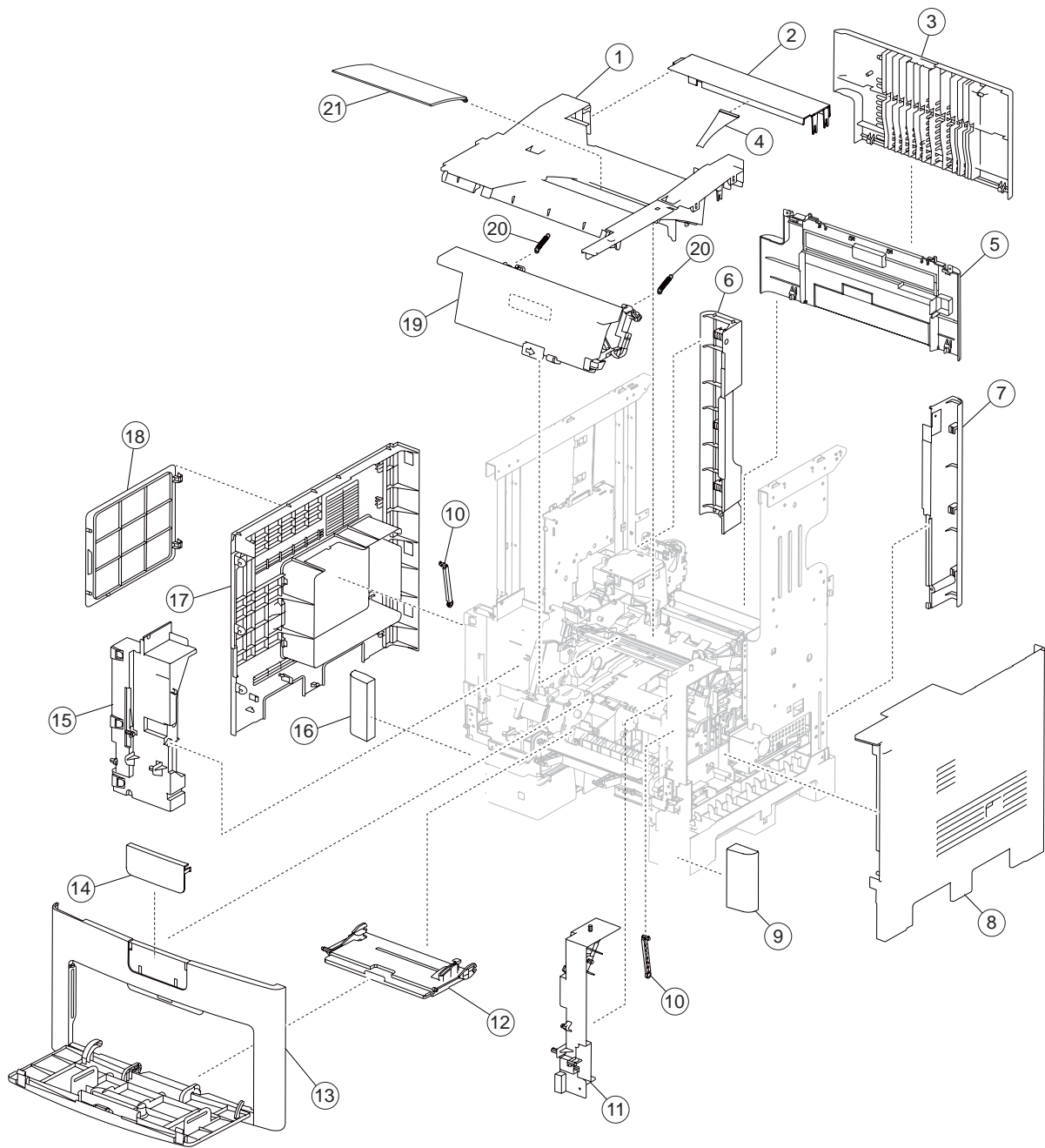


Next



Go Back

Assembly 2: Covers 1 (MB790)



Previous



Next



Go Back

Assembly 2: Covers 1 (MB790)

Asm-index	Part number	Units/option	Units/FRU	Description
1		1	1	Laser cover assembly, 550 sheet
2		1	1	Output cover assembly
3		1	1	Door assembly, rear
4		1	1	Output bail
5		1	1	Cover assembly, rear lower
6		1	1	Corner cover, left rear
7		1	1	Corner cover, right rear
8		1	1	Side cover, right
9		1	1	Tray cover, right
10		2	1	MPF tray cover support strap
11		1	1	Inner cover, right
12	51035903	1	1	MPF media guide assembly
13		1	1	MPF tray cover assembly
14		1	1	Model door bezel
15		1	1	Inner cover, left
16		1	1	Tray cover, left
17		1	1	Side cover, left
18		1	1	Access door
19		1	1	Print cartridge cover assembly
20		2	1	Print cartridge recoil spring
21	50520001	1	1	Media support

Previous

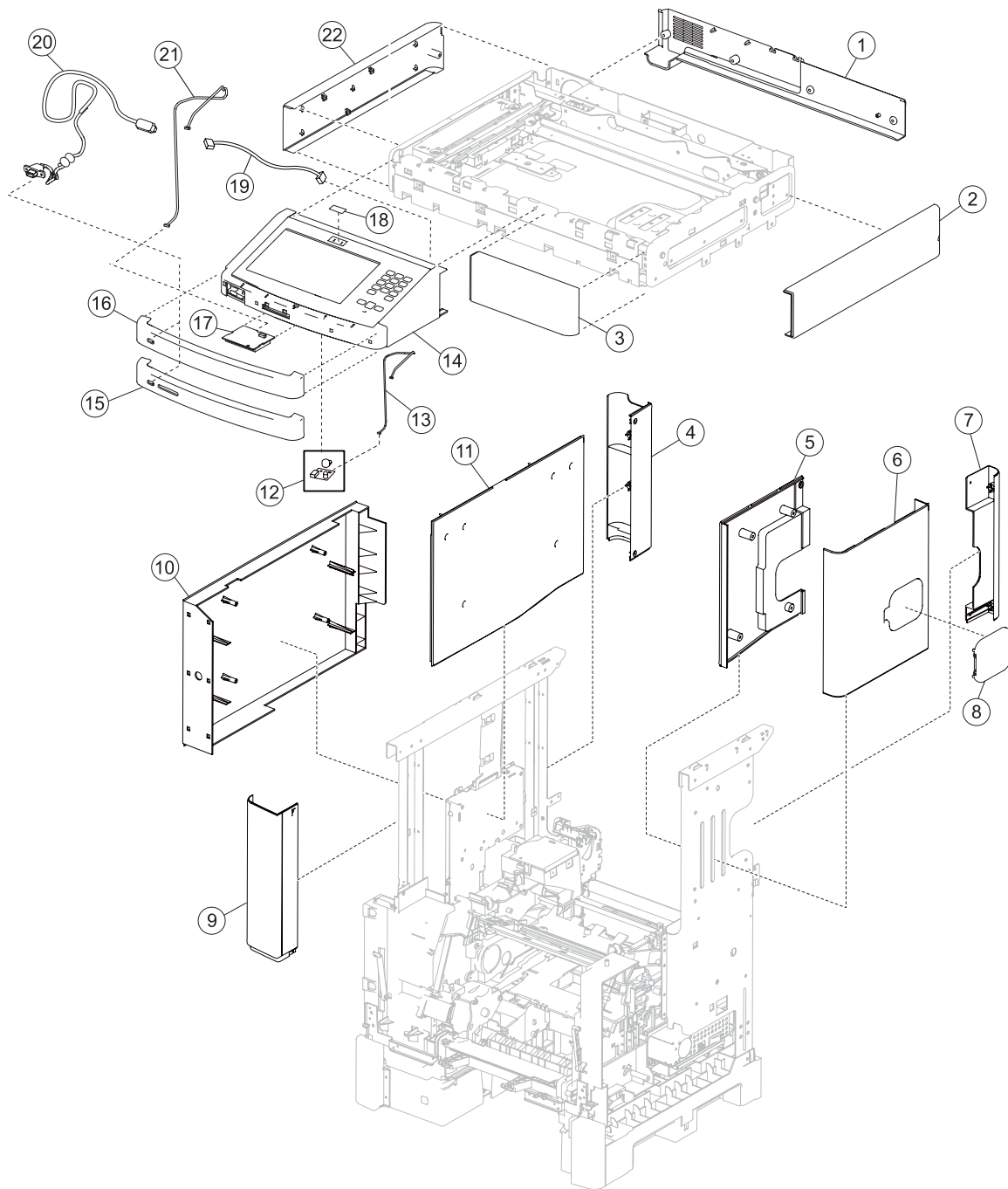


Next



Go Back

Assembly 3: Covers 2 (MB790)



Previous



Next



Go Back

Assembly 3: Covers 2 (MB790)

Asm-index	Part number	Units/option	Units/FRU	Description
1		1	1	Scanner cover, rear
2		1	1	Scanner cover, right
3		1	1	Scanner cover, front
4		1	1	Scanner support cover, left rear
5		1	1	Scanner support inner cover, right
6		1	1	Scanner support cover, right
7		1	1	Scanner support cover, right rear
8		1	1	Stapler access cover
9		1	1	Scanner support cover, left front
10		1	1	Scanner support cover, left
11		1	1	Scanner support inner cover, left
12		1	1	Standard output bin LED assembly
14		1	1	Operator panel assembly
15		1	1	Operator panel cover with card reader slot
16		1	1	Operator panel front cover
17		1	1	Card reader assembly (3121 contact)
17		1	1	Card reader assembly (5121 contact/RFID)
17		1	1	Card reader assembly (5125 contact/HID)
18	51715002	1	1	Operator panel bezel
19		1	1	Operator panel cable assembly
20		1	1'	USB cable assembly
21		1	1	Card reader cable assembly
22		1	1	Scanner cover, left

Previous

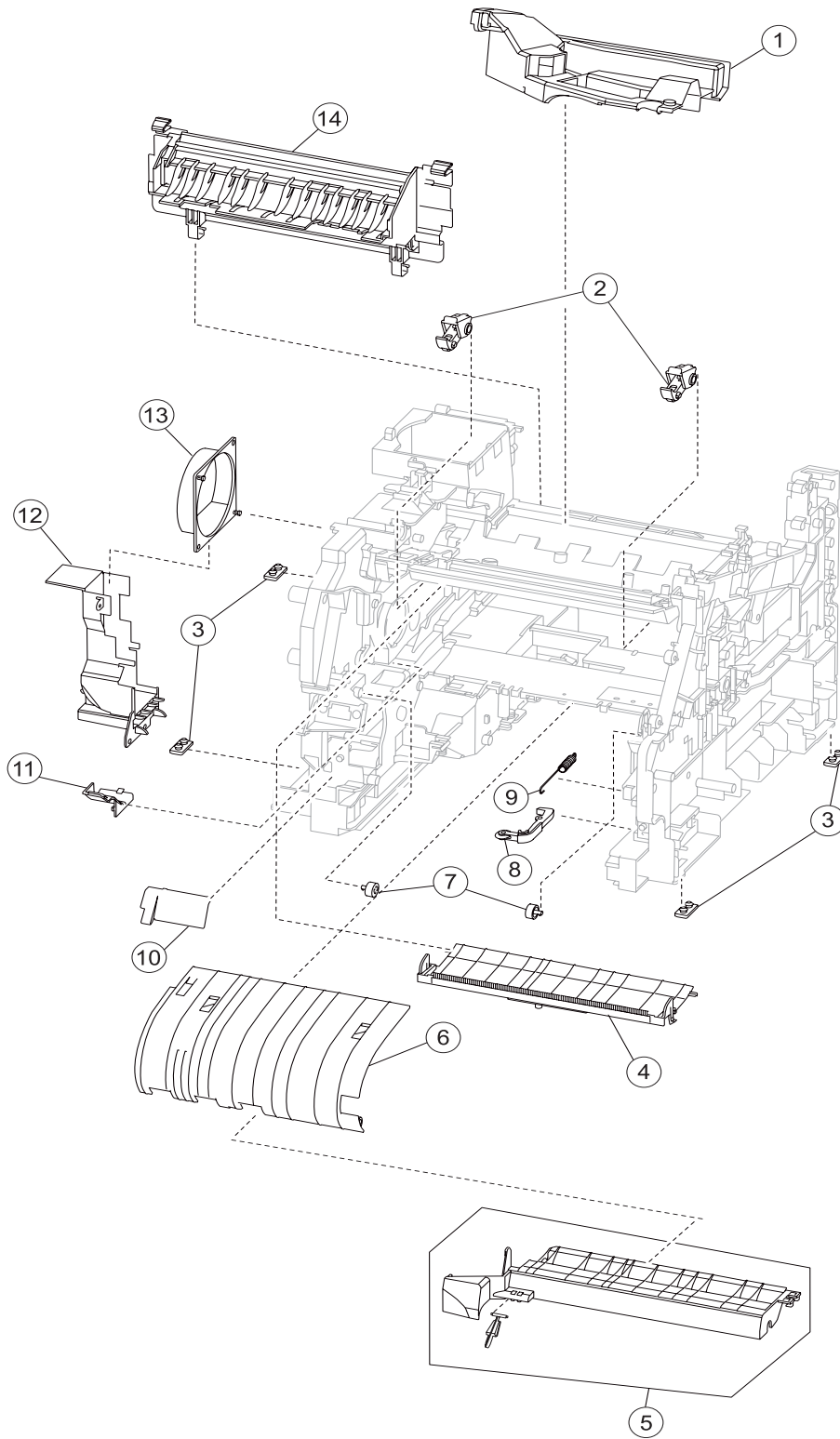


Next



Go Back

Assembly 4: Media path and ducts



Previous



Next



Go Back

Assembly 4: Media path and ducts

Asm-Index	Part number	Units/mach	Units/kit or pkg	Description
1		1	1	EP cooling fan duct
2	53366501	2	1	Print cartridge clamp assembly
3	50520103	4	1	Machine pad
4	50611101	1	1	Transfer deflector with static brush
5	50611102	1	1	Media turn guide with actuator
6	50611103	1	1	Inner deflector
7	50428505	2	1	Print cartridge support roller
8	50428504	1	1	Tray roller catch assembly
9		1	1	Tray catch spring
10		1	1	Envelope feeder interface cover (MB790)
11		1	1	MPF gear shield
12		1	1	LVPS cooling duct
13		1	1	Main cooling fan duct (MB790)
13		1	1	Main cooling duct (MB780)
14	53102402	1	1	Fuser access door assembly

Previous

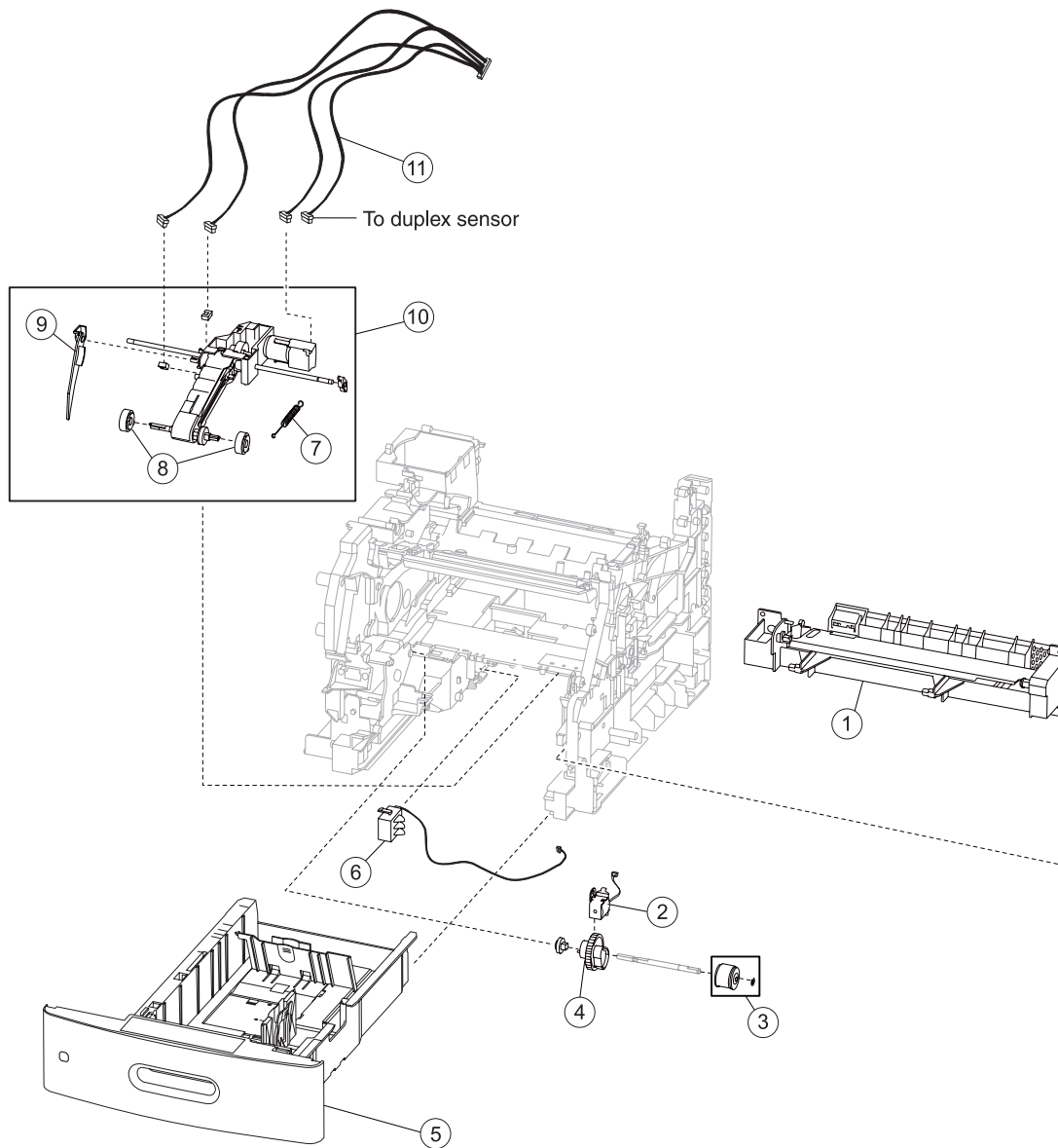


Next



Go Back

Assembly 5: Pick arm and media tray assemblies



Previous



Next



Go Back

Assembly 5: Pick arm and media tray assemblies

Asm-Index	Part number	Units/mach	Units/kit or pkg	Description
1	50611105	1	1	MPF lift plate assembly (MB780)
1	50611104	1	1	MPF lift plate assembly with spring (MB790)
2	50243204	1	1	MPF pick solenoid assembly
3	50428501	1	1	MPF pick roll assembly with flange and clip
4	51260803	1	1	MPF cam gear
5		1	1	Media tray assembly, 550 sheet (MB780)
5	50145801	1	1	Media tray assembly (MB790)
6	50428708	1	1	Switch (media size assembly)
7	50941302	1	1	Pick arm spring
8	50428503	1	2	Pick roll assembly (2)
9	53366403	1	1	550 Sheet media out actuator
10	50243203	1	1	550 Sheet pick arm assembly with spring
11		1	1	Pick arm sensor cable assembly

Previous



Next



Go Back

Assembly 6: Drive motor assembly, redrive, and duplex

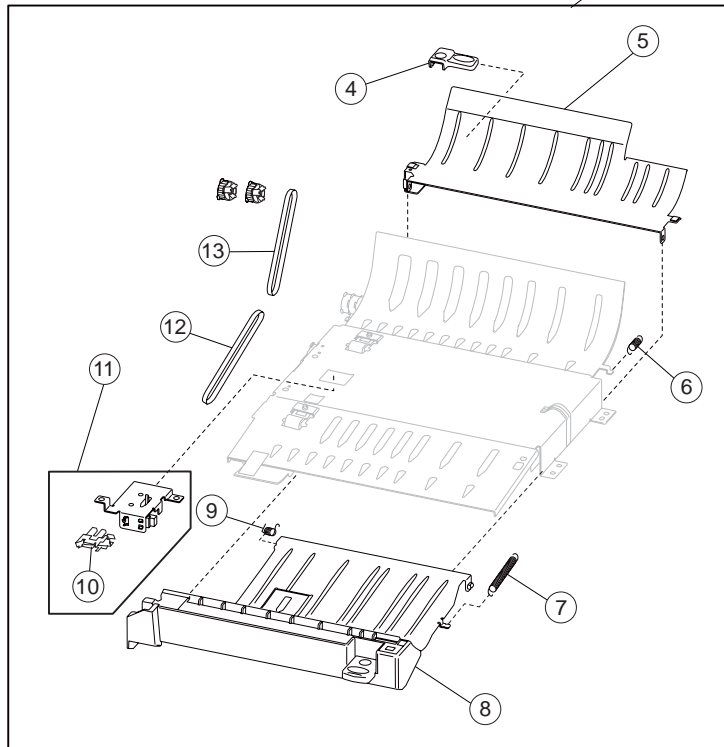
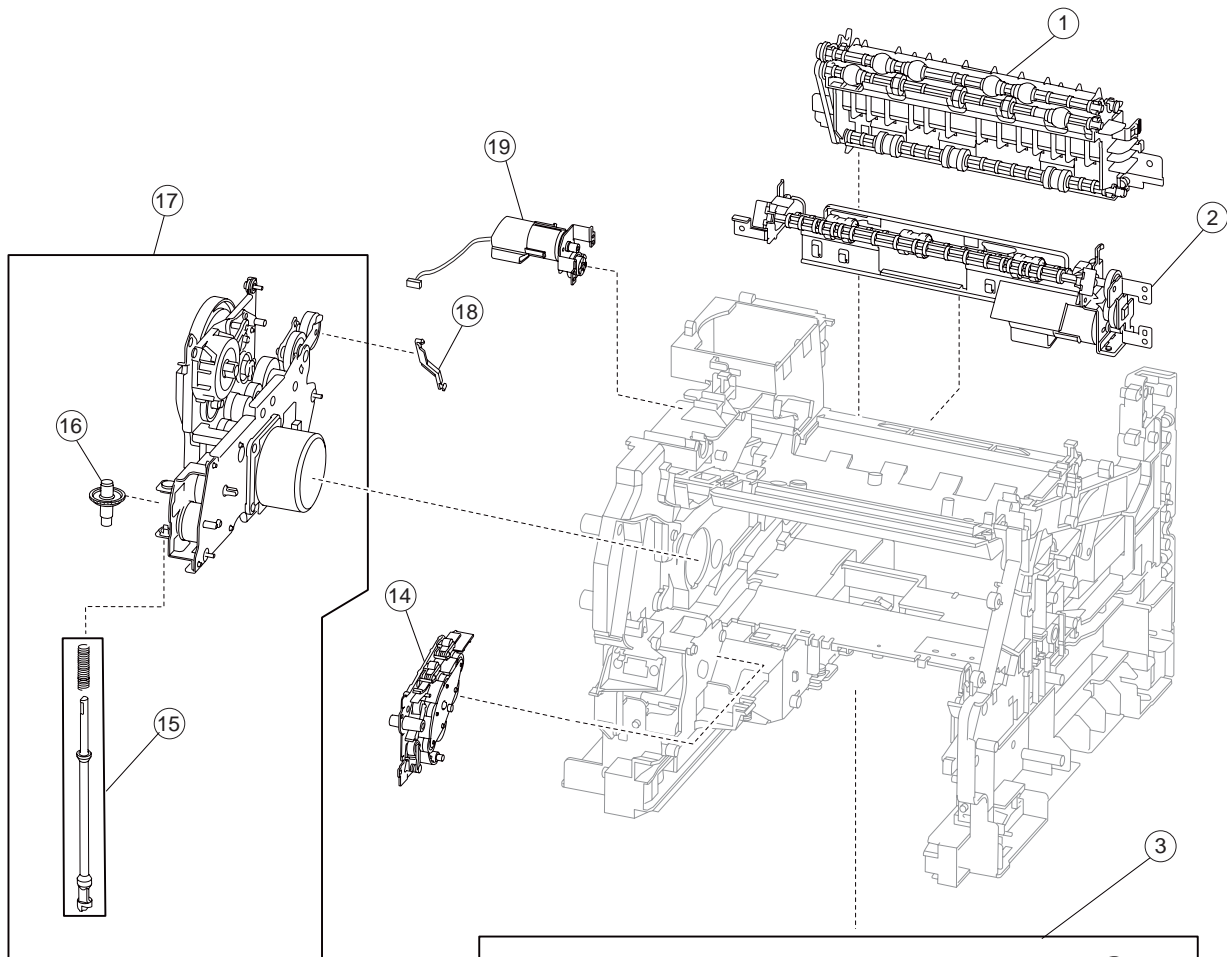
Previous



Next



Go Back



Assembly 6: Drive motor assembly, redrive, and duplex

Asm-Index	Part number	Units/mach	Units/kit or pkg	Description
1		1	1	Redrive assembly
2	56526711	1	1	Duplex drive motor assembly
3	50145901	1	5	Duplex assembly with 2 belts and 2 pulleys
4		1	1	Duplex guide handle
5		1	1	Duplex guide, rear
6		1	1	Duplex guide spring, rear
7		1	1	Duplex guide spring, right
8		1	1	Duplex guide assembly, front
9		1	1	Duplex guide spring, left
10	50428704	1	1	Sensor (duplex input)
11	50428702	1	1	Duplex input sensor assembly
12		1	1	Duplex drive belt, lower
13		1	1	Duplex drive belt, upper
14	50146001	1	3	Alignment assembly with ground strap and adj. screw
15		1	2	Option drive shaft with spring
16	51260804	1	1	Bevel gear with grease packet and washer <ul style="list-style-type: none"> • Bevel gear (1) • Instruction sheet (1) • Grease packet (1)
17	56526709	1	1	Main drive motor assembly with option drive shaft
18	50817001	1	1	Fuser drive release linkage
19	56526710	1	1	Redrive motor assembly

Previous



Next



Go Back

Assembly 7: Printhead, charge, and transfer assembly

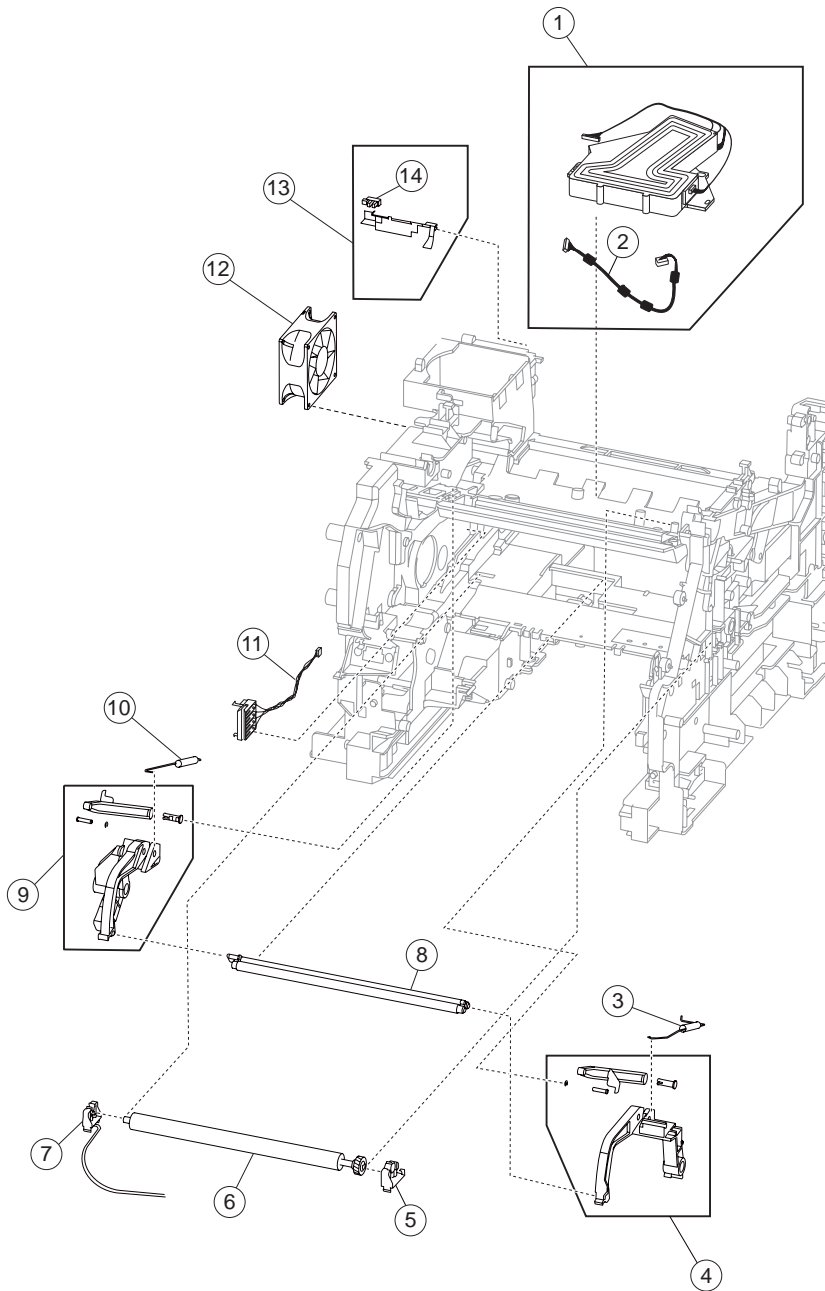
Previous



Next



Go Back



Assembly 7: Printhead, charge, and transfer assembly

Asm-Index	Part number	Units/mach	Units/kit or pkg	Description
1	50146101	1	2	Printhead with cable assembly
2	56646102	1	1	Printhead cable assembly
3		1	1	Charge roll link spring, right
4	53102302	1	1	Charge roll arm assembly with cable, right
5	51715102	1	2	Transfer roll bracket assembly, right
6	50428502	1	1	Transfer roll assembly with tool
7	51715101	1	2	Transfer roll bracket with cable assembly, left
8	50428509	1	1	Charge roll assembly with tool
9	53102301	1	1	Charge roll arm assembly, left
10		1	1	Charge roll link spring, left
11	56646101	1	1	Print cartridge ID connector assembly
12	56526704	1	1	Main cooling fan
13	50428706	1	1	Sensor (standard bin exit) actuator assembly
14	50428704	1	1	Sensor (standard bin exit)

Previous



Next



Go Back

Assembly 8: System card, HVPS and scanner controller card assemblies

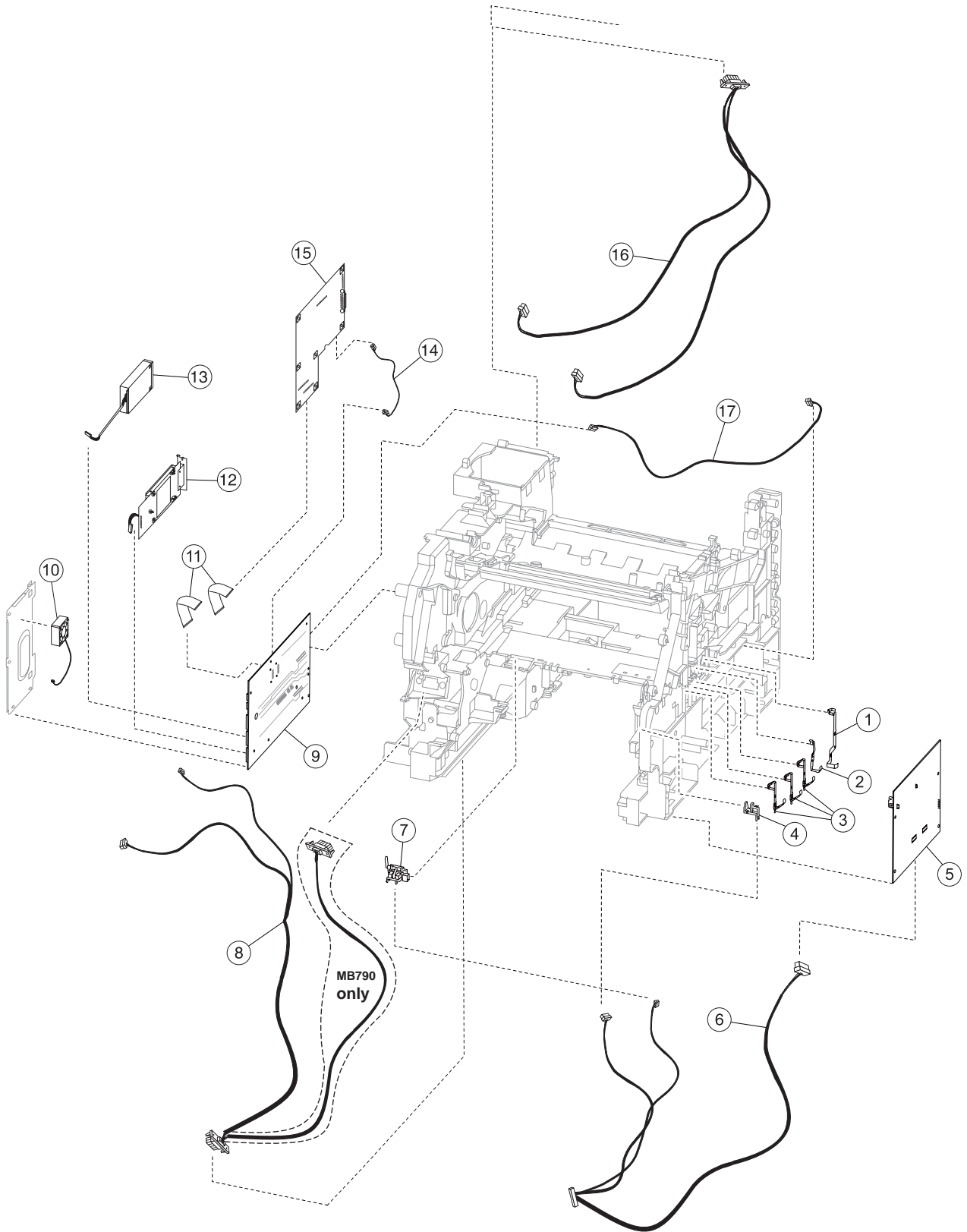
Previous



Next



Go Back



Assembly 8: System card, HVPS and scanner controller card assemblies

Previous



Next



Go Back

Asm-Index	Part number	Units/mach	Units/kit or pkg	Description
1	56747403	1	1	Cleaning blade contact
2	56747401	1	1	Drum grounding contact
3	56747402	3	1	Print cartridge HV contact
4	50428705	1	1	Sensor (toner empty)
5	56423103	1	1	HVPS card assembly
6	56646106	1	1	HVPS / sensor cable assembly
7	50428703	1	1	Sensor (input)
8		1	1	Envelope / input option cable assembly (MB790)
8		1	1	Envelope / input option cable assembly (MB780)
9		1	1	System card assembly
10	56526801	1	1	Hard drive cooling fan
11	56646109	2	1	Scanner controller card interface cable assembly
12		1	1	Hard drive assembly with board
12	55113601	1	1	Hard drive assembly with board (TTA)
13	55113408	1	1	Fax modem assembly with board
14	56646110	1	1	Scanner controller card power cable assembly
15	55113401	1	1	Scanner controller card assembly (MB780 & MB790)
16		1	1	Output option interface cable assembly (MB790)
17	56646111	1	1	LVPS cooling fan cable assembly

Warning: When replacing any of the following components:

- Scanner interface card assembly
- System card assembly
- Scanner unit assembly

Only replace one component at a time. replace the required component and perform a POR before replacing a second component listed above. If this procedure is not followed, the printer will be rendered inoperable. Never replace two or more of the components listed above without a POR after installing each one or the printer will be rendered inoperable.

These components can be used as a method of troubleshooting as long as the machine is booted into diagnostic mode or is operating in diagnostic mode. Once a component has been installed in a machine and powered up into user mode, it cannot be used in another machine. It must be returned to the manufacturer.

Assembly 9: Fuser and LVPS card assemblies

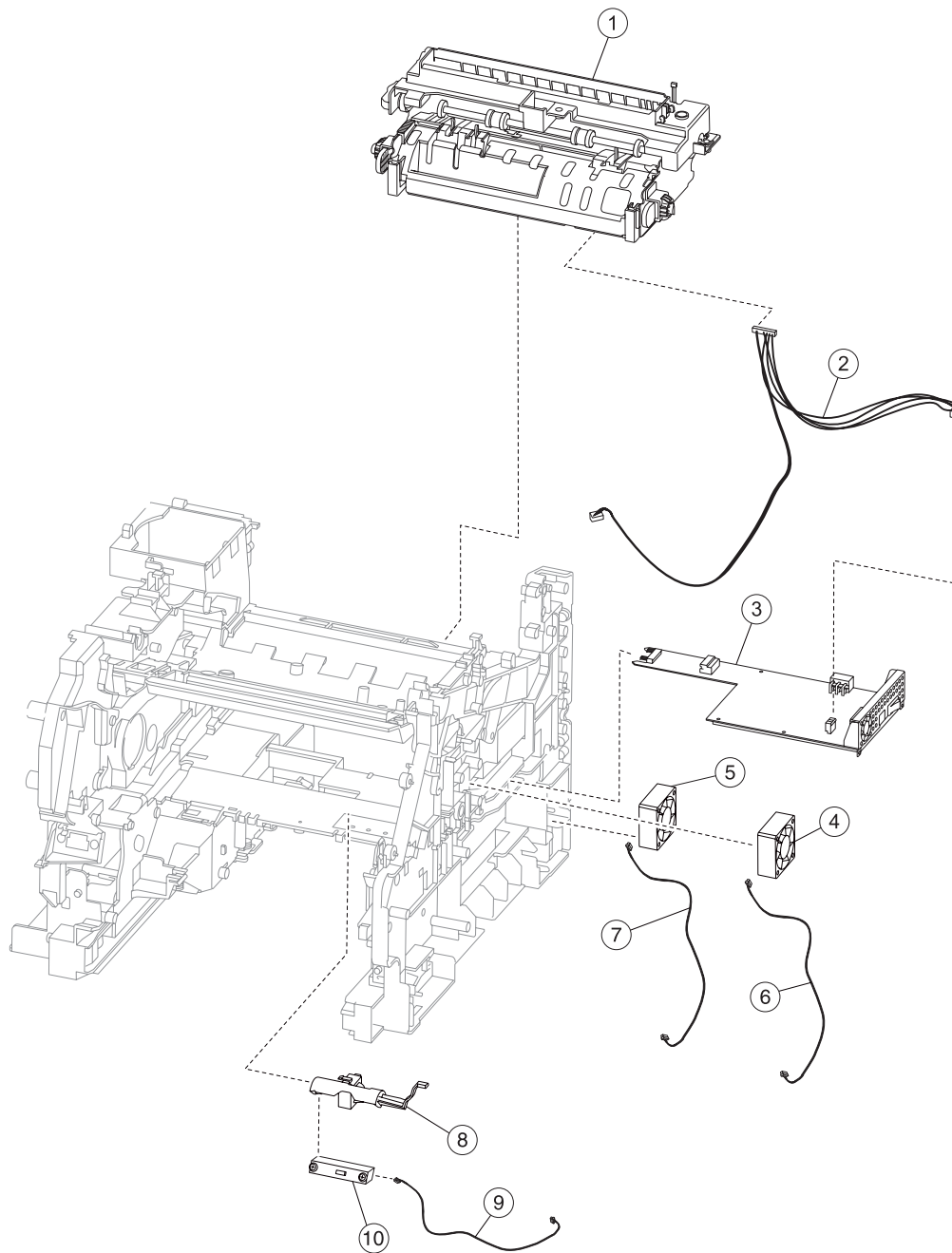
Previous



Next



Go Back



Assembly 9: Fuser and LVPS card assemblies

Asm-index	Part number	Units/option	Units/FRU	Description
1	57108201	1	1	Fuser assembly 100V, type 1
1	57108202	1	1	Fuser assembly 110V, type 1
1	57108205	1	1	Fuser assembly 220V, type 1
1	57108203	1	1	Fuser assembly 100V, type 2
1	57108204	1	1	Fuser assembly 110V, type 2
1		1	1	Fuser assembly 220V, type 2
2	56646108	1	1	Fuser interface cable assembly
3	56423101	1	1	LVPS card assembly (MB780)
3	56423102	1	1	LVPS card assembly (MB790)
4	56526703	1	1	Print cartridge cooling fan
5	56526702	1	1	Duplex cooling fan
6	56646105	1	1	Print cartridge cooling fan cable assembly
7	56646104	1	1	Duplex cooling fan cable assembly
8		1	1	Sensor shield assembly
9	56646107	1	1	Toner density sensor cable assembly
10	50428707	1	1	Sensor (toner density)

Previous



Next



Go Back

Assembly 10: Flatbed scanner

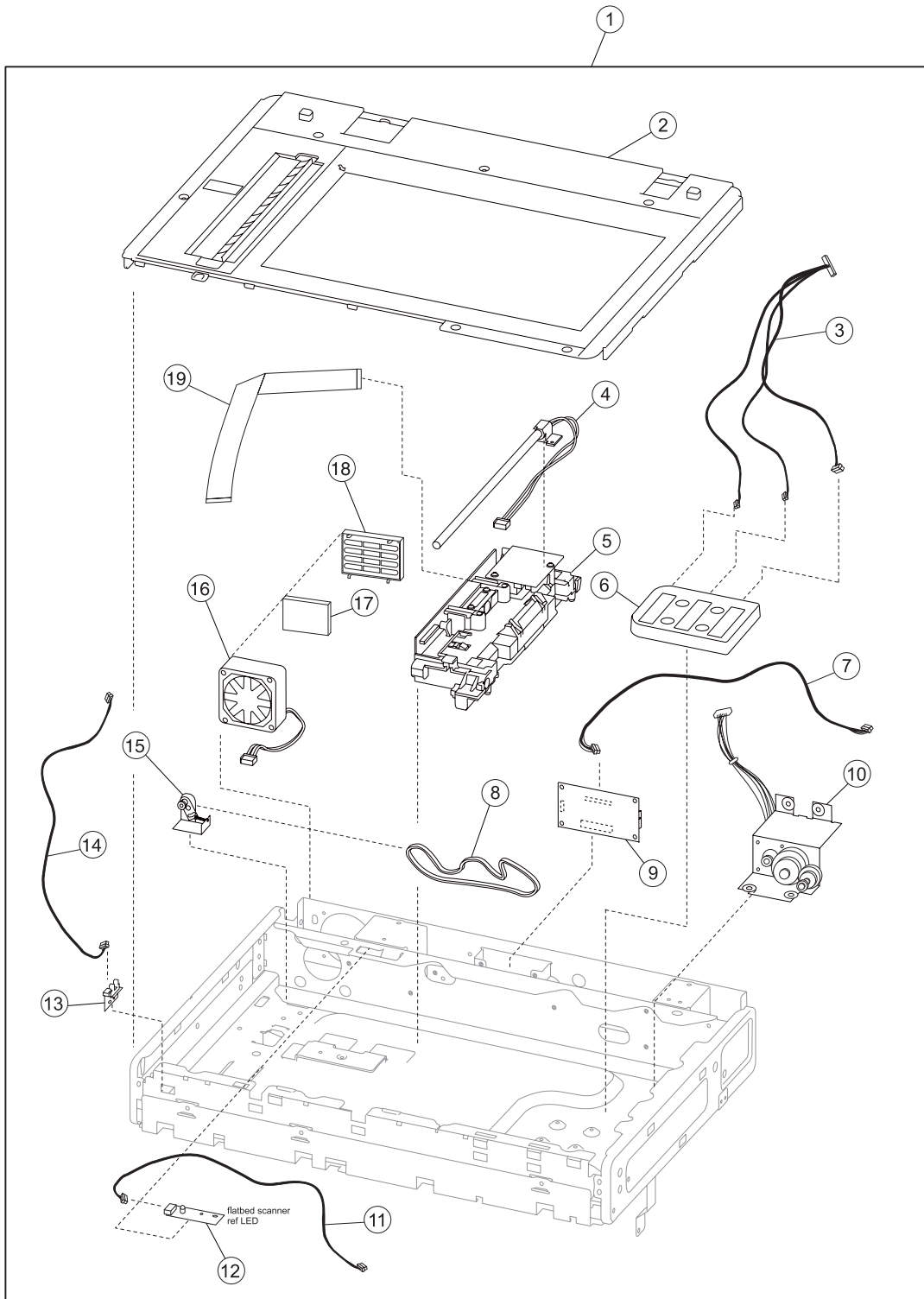
Previous



Next



Go Back



Assembly 10: Flatbed scanner

Asm-index	Part number	Units/option	Units/FRU	Description
1	50243301	1	1	Scanner unit assembly (MB780))
1	50243302	1	1	Scanner unit assembly (MB790)
2	50243401	1	1	Scanner platen glass cover assembly
3	56646113	1	1	Scanner FB length sensor cable assembly
4	56126601	1	1	Scanner exposure lamp
5	55113403	1	1	Scanner CCD assembly
6	50428710	1	1	Sensor (platen glass length) assembly
7		1	1	Flatbed scanner interface card cable assembly
8	51312801	1	1	Carriage belt
9	55113402	1	1	Scanner interface card assembly
10	56526705	1	1	Carriage drive motor assembly with cable
11	55113404	1	1	Scanner reference LED cable assembly
12		1	1	Scanner reference LED assembly
13	50428709	1	1	Sensor (scanner HP) with bracket
14	56646112	1	1	Scanner HP sensor cable assembly
15		1	1	Carriage belt tensioner assembly
16	56526706	1	1	Scanner cooling fan
17		1	1	Scanner cooling fan filter
18		1	1	Scanner filter cover
19		1	1	Scanner CCD ribbon cable (MB790)
19	56646103	1	1	Scanner CCD ribbon cable (MB780)

Warning: When replacing any of the following components:

- Scanner interface card assembly
- System card assembly
- Scanner unit assembly

Only replace one component at a time. replace the required component and perform a POR before replacing a second component listed above. If this procedure is not followed, the printer will be rendered inoperable. Never replace two or more of the components listed above without a POR after installing each one or the printer will be rendered inoperable.

These components can be used as a method of troubleshooting as long as the machine is booted into diagnostic mode or is operating in diagnostic mode. Once a component has been installed in a machine and powered up into user mode, it cannot be used in another machine. It must be returned to the manufacturer.

Previous

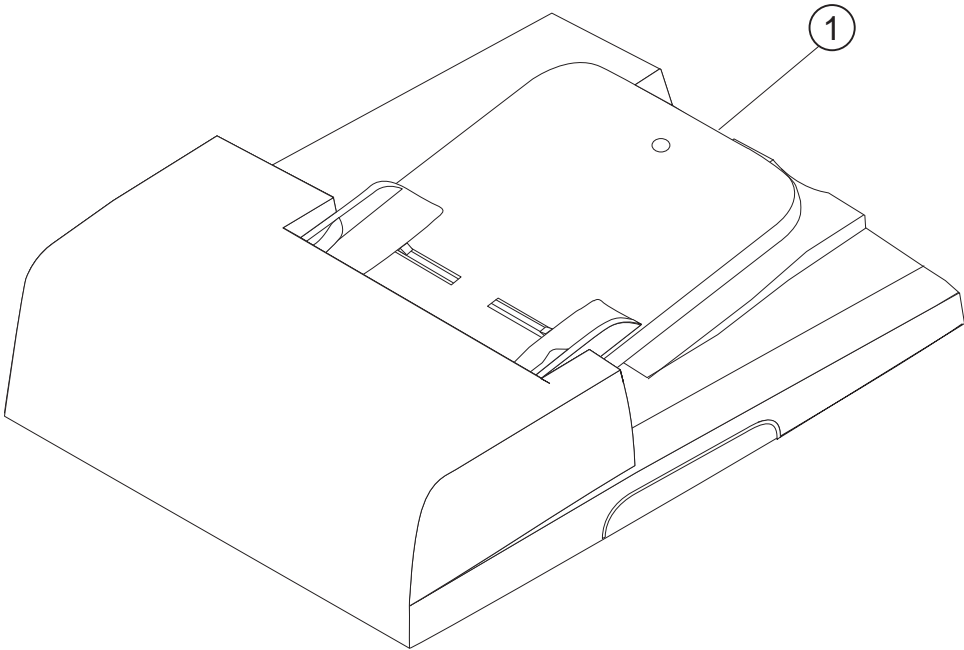


Next



Go Back

Assembly 11: ADF unit assembly



Previous



Next



Go Back

Assembly 11: ADF unit assembly

Asm-index	Part number	Units/option	Units/FRU	Description
1	50243201	1	1	ADF unit assembly (MB780 & MB790)

Previous

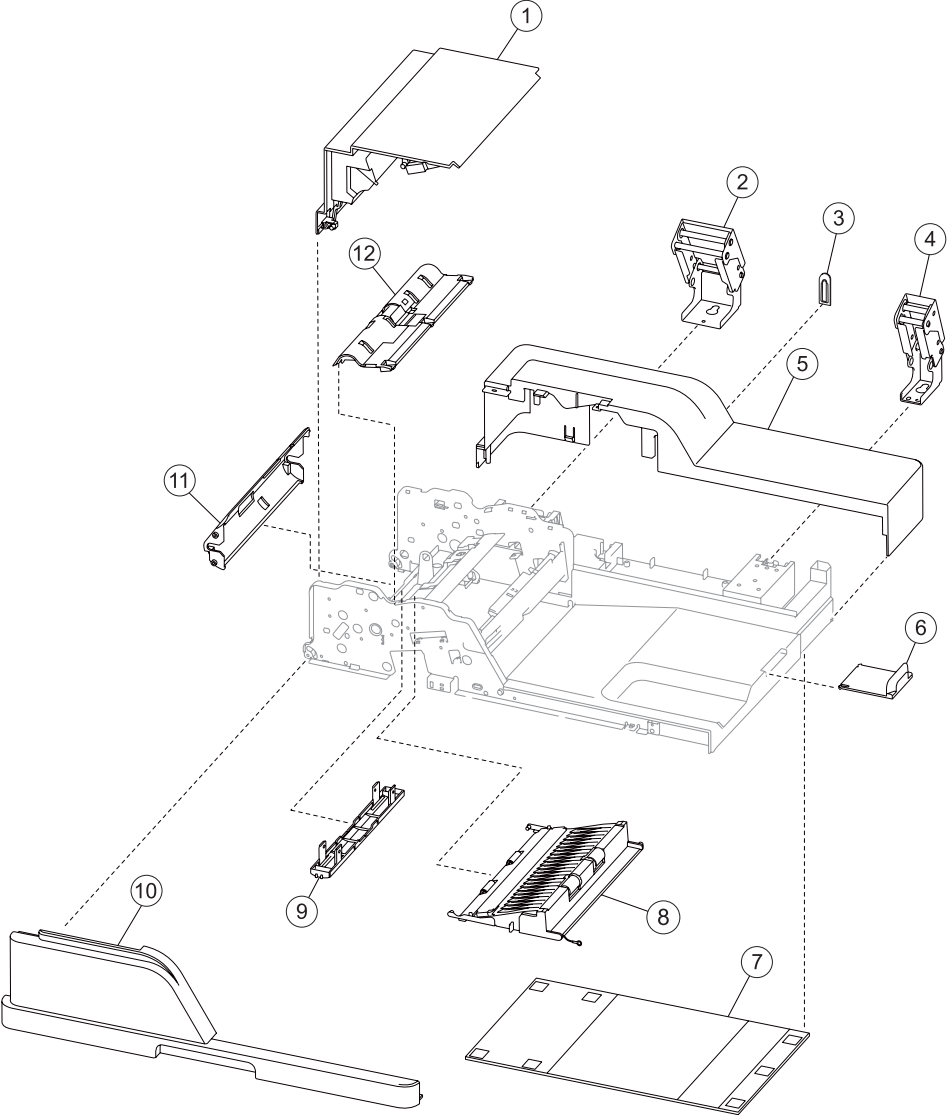


Next



Go Back

Assembly 12: ADF covers



Previous



Next



Go Back

Assembly 12: ADF covers

Asm-index	Part number	Units/option	Units/FRU	Description
1		1	1	ADF top door assembly
2		1	1	Left hinge assembly
4		1	1	Right hinge assembly
5		1	1	ADF cover, rear
6		1	1	Document tray extension
7	50520101	1	1	ADF platen cushion
8		1	1	ADF lower door assembly (MB780 & MB790)
9	50520102	1	1	Media pinch pad assembly
10		1	1	ADF cover, front
11		1	1	ADF turn guide
12	51035901	1	1	Pick pad cover assembly

Previous



Next



Go Back

Assembly 13: ADF feed and drive

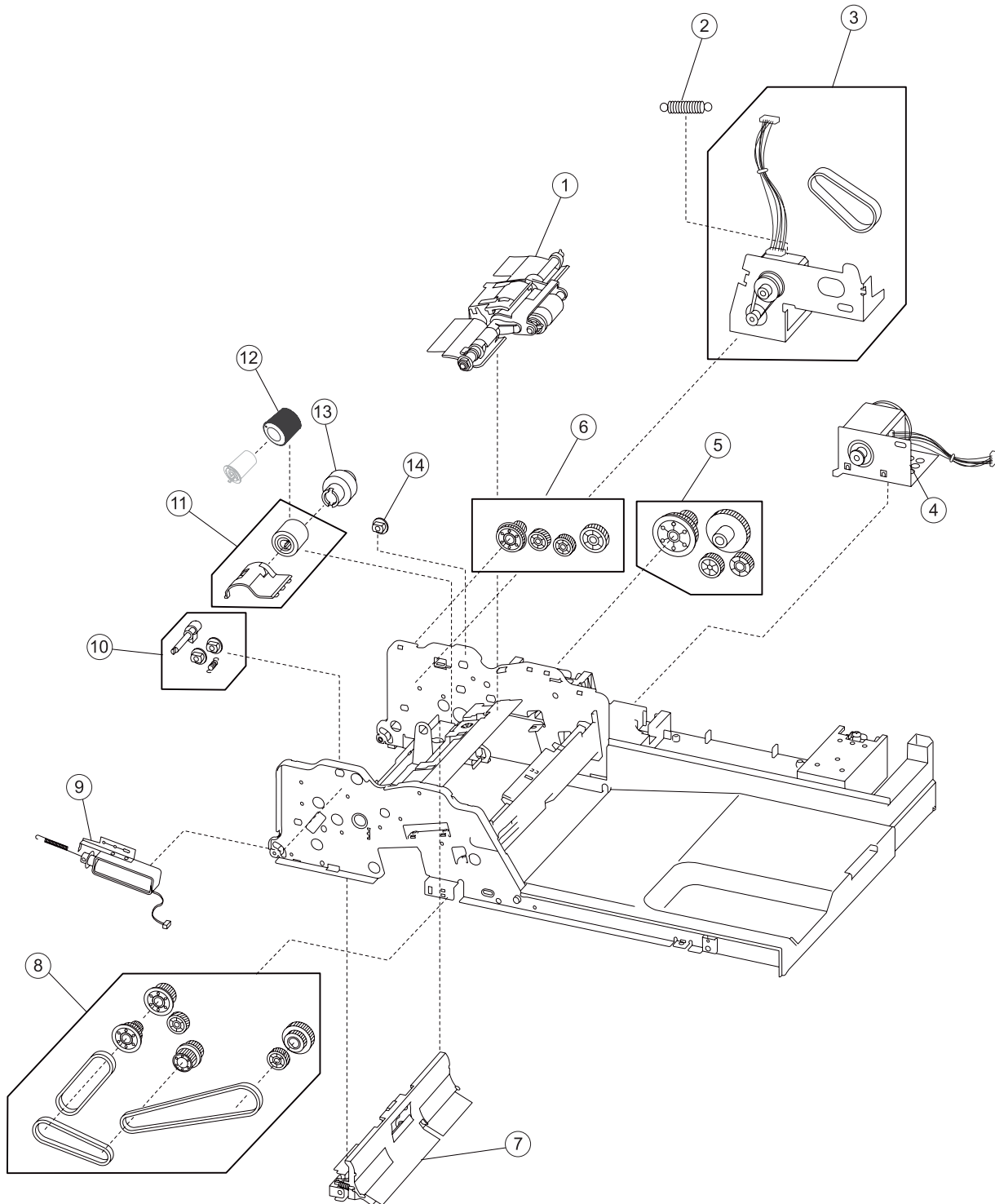
Previous



Next



Go Back



Assembly 13: ADF feed and drive

Asm-index	Part number	Units/ option	Units/ FRU	Description
1	50428506	1	1	ADF feed / pick roll assembly
2		1	1	Spring
3	56526712	1	3	Feed motor assembly with belt and cable
4	56526707	1	1	Transport motor bracket assembly with cable
5	51260801	1	4	Transport drive gear and pulley kit, rear
6	51403601	1	4	Feed one-way bearing and gear kit
7	50428507	1	1	Pinch roll assembly
8	51260802	1	9	Transport drive gear, pulley, and belt kit, front
9		1	1	ADF solenoid assembly
10	51260901	1	4	Pick roll position cam assembly
11	50428508	1	2	ADF separator roll and guide
12	50428602	1	1	ADF separator roll
13	51403602	1	1	Torque limiter
14		1	1	Bushing 6 mm

Previous

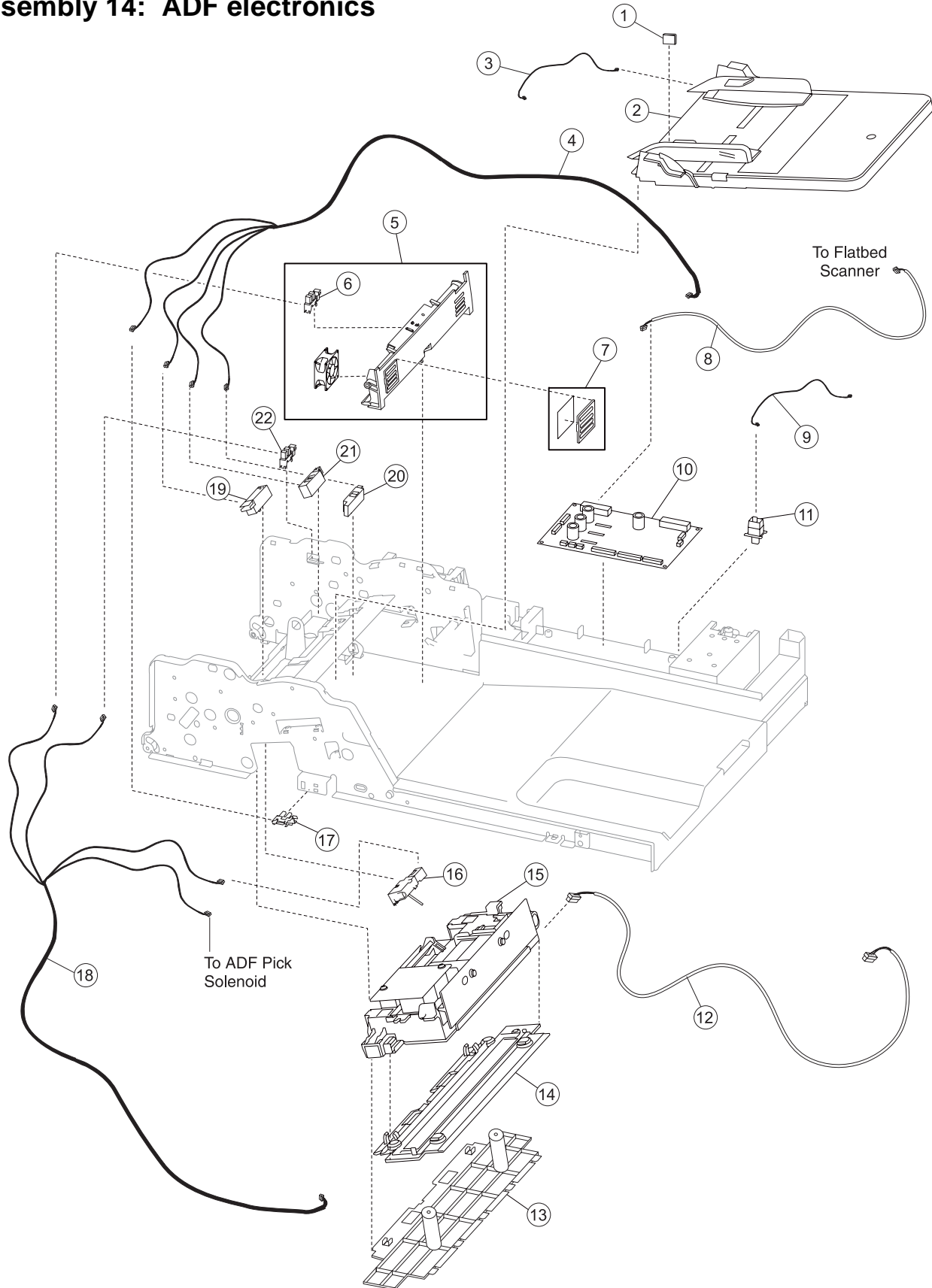


Next



Go Back

Assembly 14: ADF electronics



Previous



Next



Go Back

Assembly 14: ADF electronics

Asm-index	Part number	Units/ option	Units/ FRU	Description
1		1	1	Spacer
2	50145804	1	1	ADF document tray assembly
3	56646117	1	1	ADF tray length cable assembly
4	56646116	1	1	ADF sensor cable assembly 1
5				
5	50428717	1	1	Sensor (ADF media exit) bracket assembly with fan (MB780 & MB790)
6	50428711	1	1	Sensor (ADF media exit)
7		1	1	ADF filter and cover (MB780 & MB790)
8	56646114	1	1	ADF interface cable assembly
9	56646115	1	1	ADF closed interlock switch cable assembly
10		1	1	ADF controller card assembly
11		1	1	Switch (ADF closed interlock)
12		1	1	Duplex CCD interface cable assembly (MB780 & MB790)
14	51035902	1	1	ADF duplex CCD scan glass assembly (MB780 & MB790)
15	55113405	1	1	ADF duplex CCD assembly (MB780 & MB790)
16	50428701	1	1	Sensor (ADF 2nd scan)
17	50428711	1	1	Sensor (ADF lower door interlock)
18	56646118	1	1	ADF sensor cable assembly 2
19	50428712	1	1	Sensor (ADF 1st scan)
20	50428713	1	1	Sensor (ADF document set)
21	50428712	1	1	Sensor (ADF sheet through)
22	50428711	1	1	Sensor (ADF top door interlock)

Previous



Next



Go Back

Assembly 15: 550 Sheet option tray assembly (MB790)

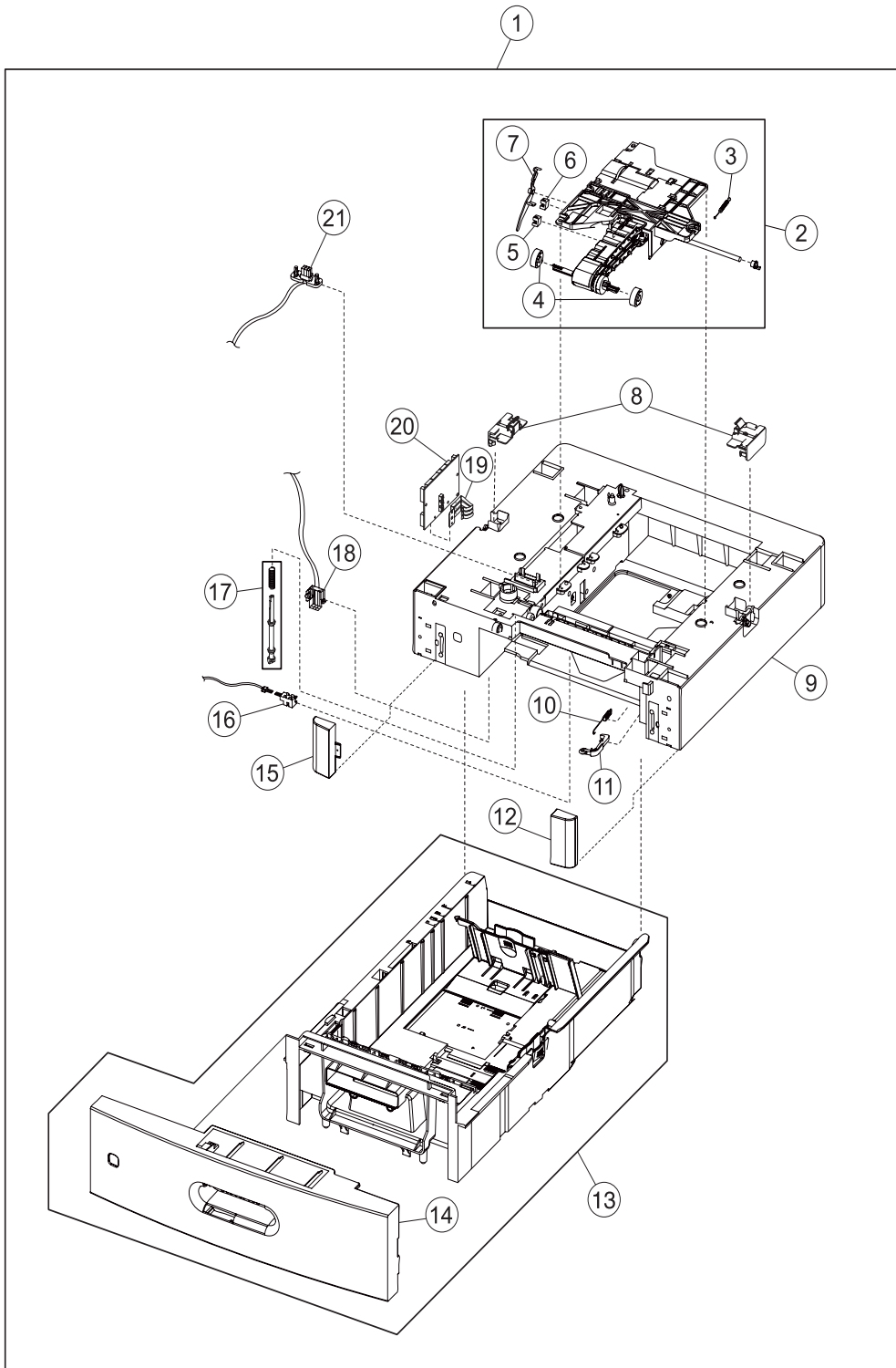
Previous



Next



Go Back



Assembly 15: 550 Sheet option tray assembly (MB790)

Asm-Index	Part number	Units/mach	Units/kit or pkg	Description
1	50145802	1	1	Complete 550 sheet option tray assembly
2		1	1	550 Sheet pick arm bracket assembly
3	50941302	1	1	550 Sheet bellcrank recoil spring
4	50428503	1	1	Pick roll assembly (2)
5	50428704	1	1	Sensor (media low)
6	50428704	1	1	Sensor (media empty)
7	53366403	1	1	550 Sheet media out actuator
8		2	2	Anti-tip latch assembly
9	50243503	1	1	550 Sheet option drawer assembly
10	50941301	1	1	Media tray catch spring
11	50428504	1	1	Media tray roller catch assembly
12		1	1	550 Sheet tray right cover
13		1	1	Media tray assembly, 550 sheet
14		1	1	Cover, 550 sheet tray front
15		1	1	550 Sheet tray left cover
16	50428714	1	1	Sensor (pass through) with cable
17		1	2	550 Option drive shaft with spring
18		1	1	Lower interface cable assembly
19		1	1	Media size actuator
20		1	1	550 Sheet tray controller card assembly
21	56646119	1	1	Upper interface cable assembly

Previous



Next



Go Back

Assembly 16: 250 Sheet option tray assembly (MB780)

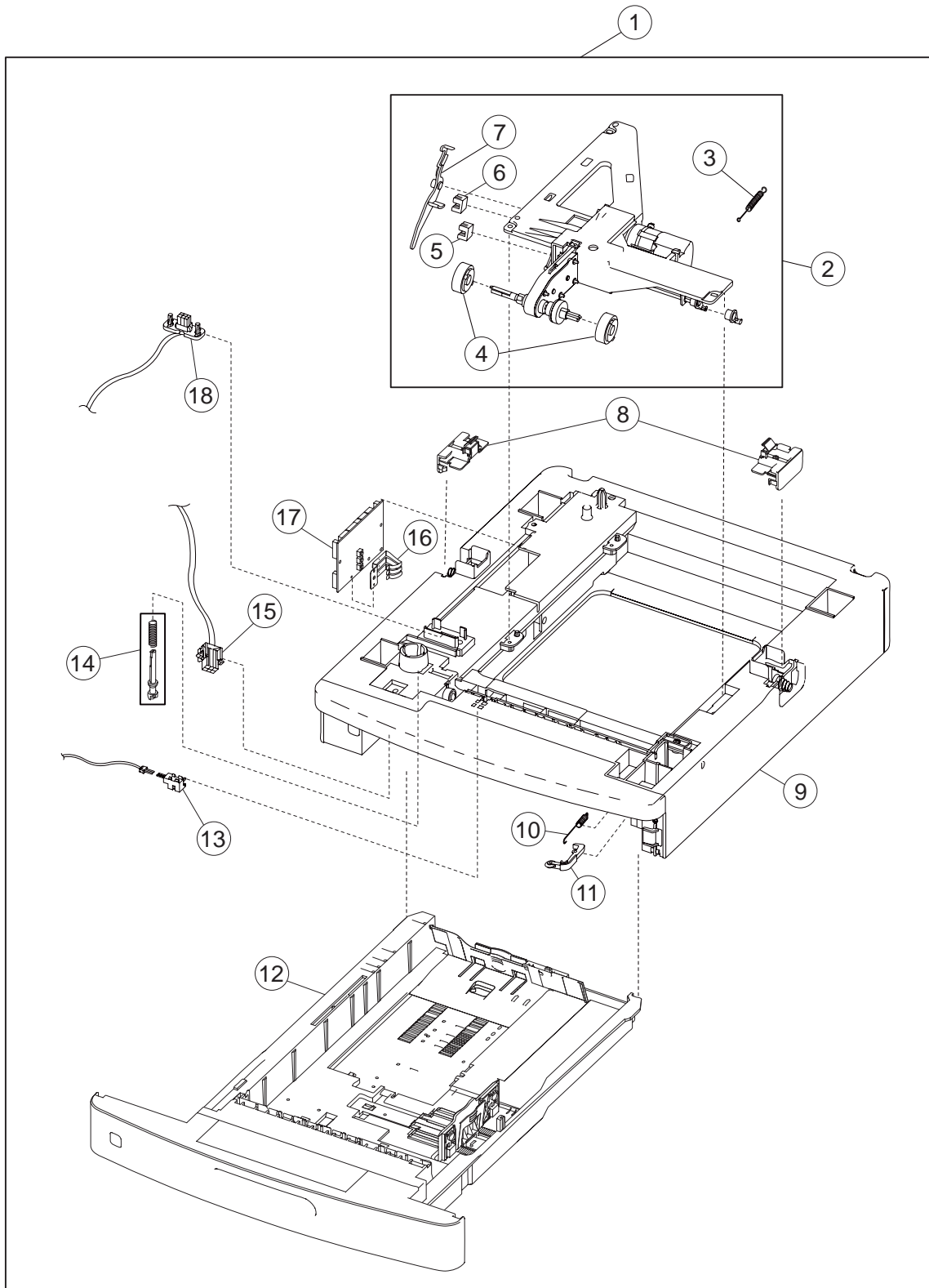
Previous



Next



Go Back



Assembly 16: 250 Sheet option tray assembly (MB780)

Asm-Index	Part number	Units/mach	Units/kit or pkg	Description
1	50145805	1	1	Complete 250 sheet option tray assembly
2	50243202	1	1	250 Sheet pick arm bracket assembly
3		1	1	250 Sheet bellcrank recoil spring
4	50428503	2	1	Pick roll assembly (2)
5	50428704	1	1	Sensor (media low)
6	50428704	1	1	Sensor (media empty)
8		1	1	Anti-tip latch assembly
9	50243501	1	1	250 Sheet option drawer assembly
10	50941301	1	1	Media tray catch spring
11	50428504	1	1	Media tray roller catch assembly
12		1	1	Media tray assembly, 250 sheet
13	50428714	1	1	Sensor (pass through) with cable
14		1	1	250 Option drive shaft with spring
15		1	1	Lower interface cable assembly
16		1	1	Media size actuator
17		1	1	250 Sheet controller card assembly
18	56646119	1	1	Upper interface cable assembly

Previous



Next



Go Back

Assembly 17: 550 Sheet option tray assembly (MB780)

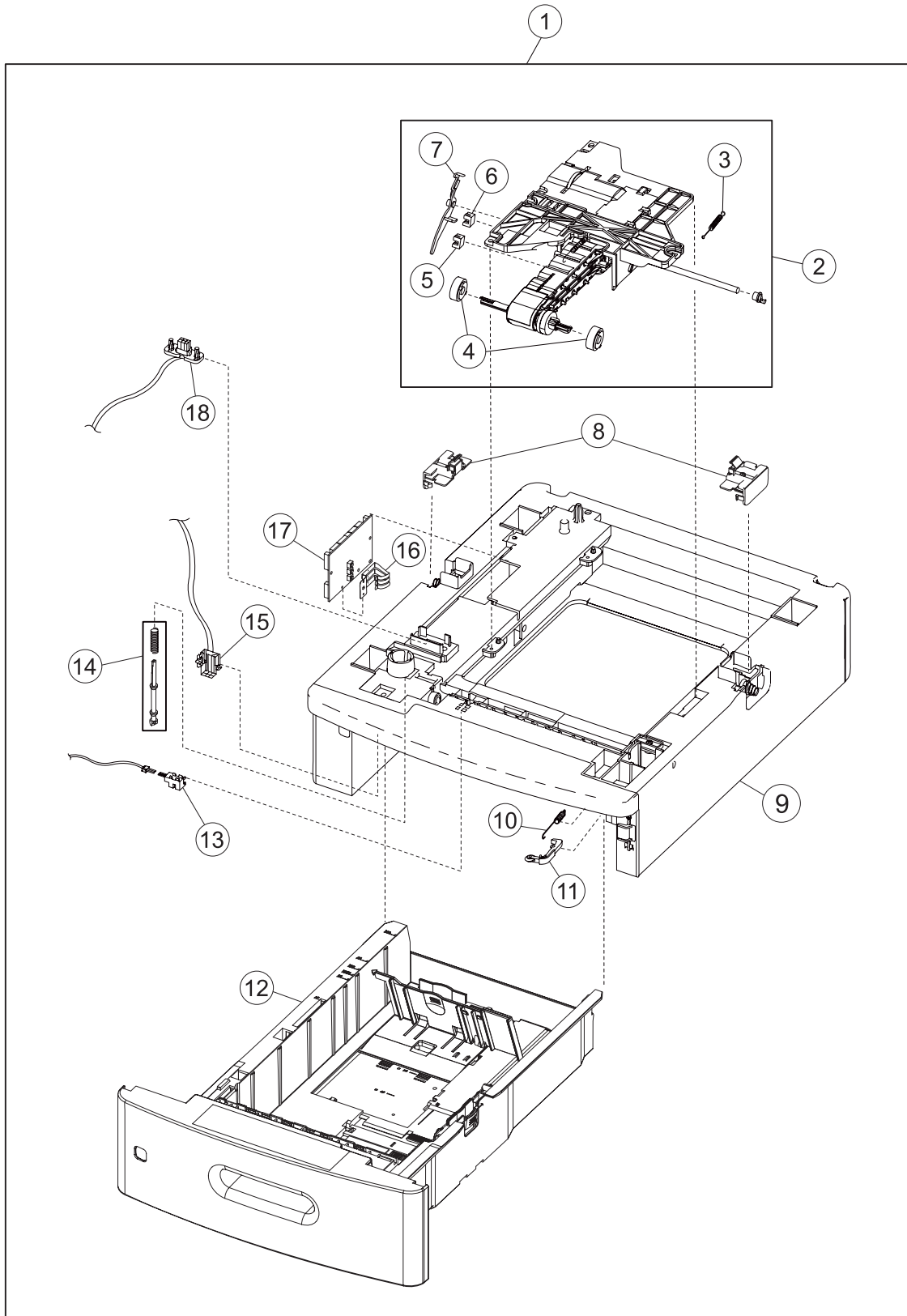
Previous



Next



Go Back



Assembly 17: 550 Sheet option tray assembly (MB780)

Asm-Index	Part number	Units/mach	Units/kit or pkg	Description
1		1	1	Complete 550 sheet option tray assembly
2		1	1	550 Sheet pick arm bracket assembly
3	50941302	1	1	550 Sheet bellcrank recoil spring
4	50428503	1	2	Pick roll assembly (2)
5	50428704	1	1	Sensor (media low)
6	50428704	1	1	Sensor (media empty)
7	53366403	1	1	550 Sheet media out actuator
8		2	2	Anti-tip latch assembly
9	50243502	1	1	550 Sheet option drawer assembly
10	50941301	1	1	Media tray catch spring
11	50428504	1	1	Media tray roller catch assembly
12		1	1	Media tray assembly, 550 sheet
13	50428714	1	1	Sensor (pass through) with cable
14		1	1	550 Option drive shaft with spring
15		1	1	Lower interface cable assembly
16		1	1	Media size actuator
17		1	1	550 Sheet controller card assembly
18	56646119	1	1	Upper interface cable assembly

Previous



Next



Go Back

Assembly 18: HCIT Sheet option tray assembly (MB780)

Asm-Index	Part number	Units/mach	Units/kit or pkg	Description
1		1	1	Complete HCIT option tray assembly
2		1	2	HCIT pick arm bracket assembly
3		1	1	Pick arm sensor cable assembly
4		1	1	HCIT bellcrank recoil spring
5	50428503	2	2	Pick roll assembly (2)
6	50428704	1	1	Sensor (media low)
7	53366403	1	1	550 Sheet media out actuator
8	50428704	2	1	Sensor (media empty)
9		1	1	HCIT cover, rear
10		1	1	Anti-tip latch assembly
11	50428715	1	1	Sensor (HCIT tray raised HP) with cable assembly
12		1	1	HCIT cover, right
13	56526708	1	1	HCIT tray lift drive motor assembly
14		1	2	HCIT tray closed latch with spring
15		2	1	HCIT drawer slide assembly
16	50145806	1	1	HCIT media tray assembly
17		1	1	HCIT tray cover, front
18	50428716	1	2	Sensor (HCIT pass through) with cable
19		1	1	HCIT interface cable assembly
20		1	1	HCIT controller card assembly
21		1	4	HCIT media size actuator assembly
22		1	1	HCIT cover, left

Previous

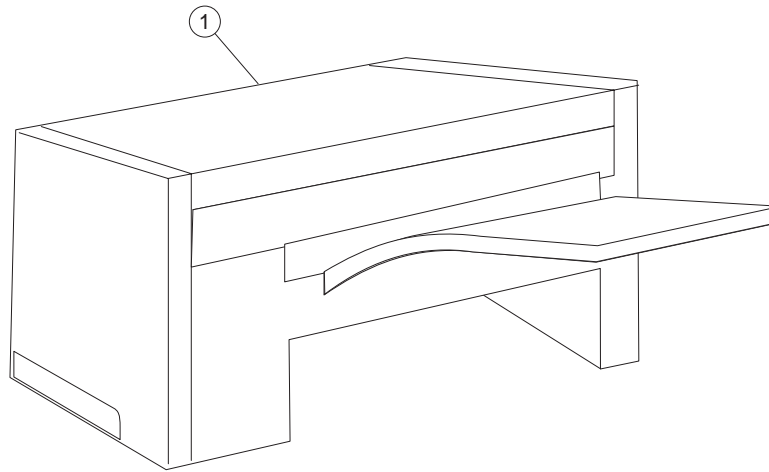


Next



Go Back

Assembly 19: MFP stapler assembly



Previous



Next



Go Back

Assembly 19: MFP stapler assembly #1

Asm-Index	Part number	Units/mach	Units/kit or pkg	Description
1		1	1	MFP stapler assembly (comes completely assembled)

Previous



Next



Go Back

Assembly 20: MFP stapler assembly #2

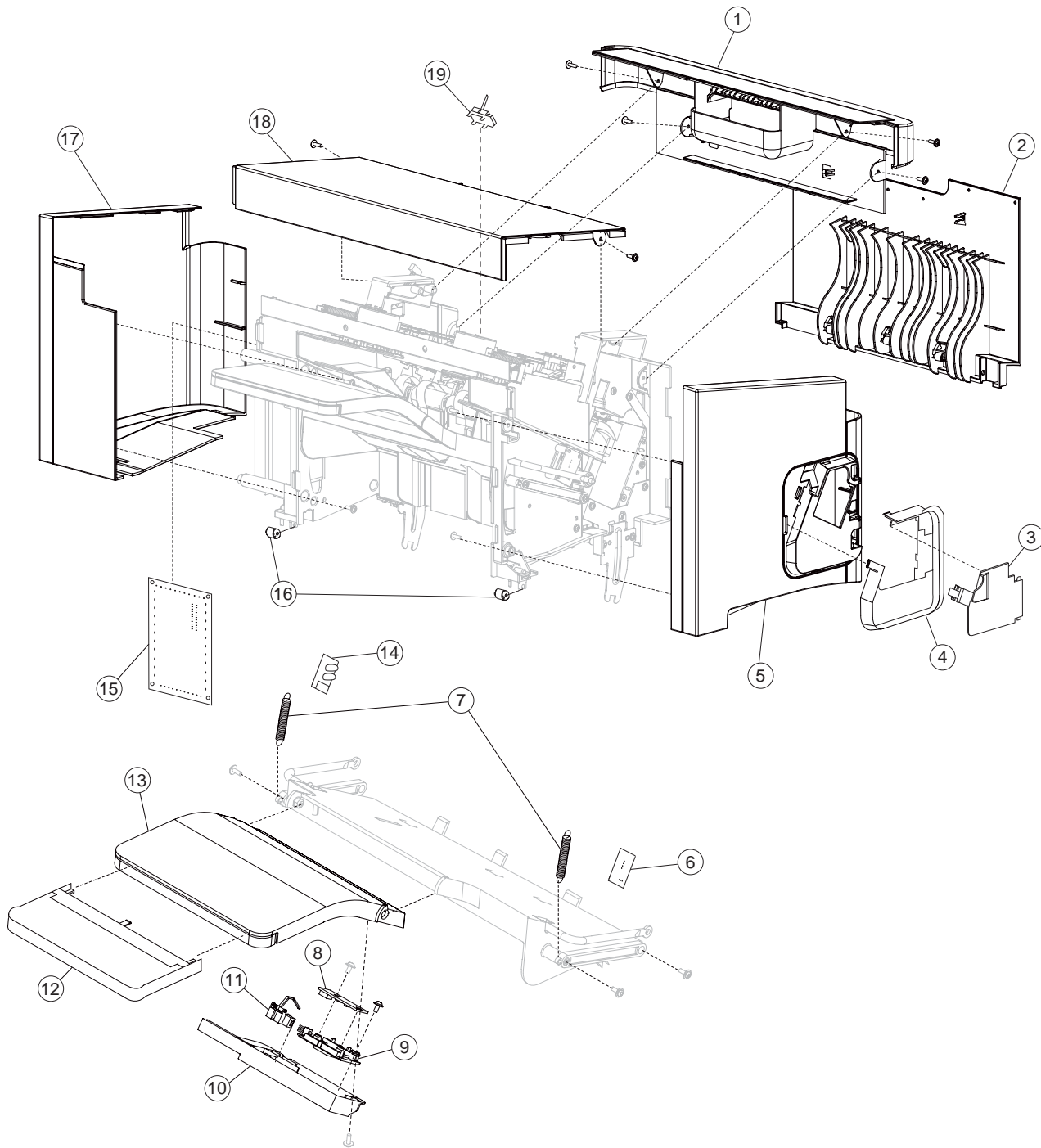
Previous



Next



Go Back



Assembly 20: MFP stapler assembly #2

Asm-Index	Part number	Units/mach	Units/kit or pkg	Description
1		1	1	Handle cover
2	53102503	1	1	Rear door assembly
3		1	1	Stapler cover
4		1	1	Hollow cover
5		1	1	Right cover
6	50428720	1	1	Sensor (bin full receive)
7		1	2	Finisher bin spring
8		1	1	Standard output bin LED
9		1	1	LED clear lens
10		1	1	LED sensor cover
11	50428718	1	1	Sensor (finisher bin media present)
12		1	1	Media output bin extension
13		1	1	Media output bin
14	50428719	1	1	Sensor (bin full send)
15	55113406	1	1	Stapler/stacker controller card assembly
16	50428601	1	1	Attach roller
17		1	1	Left cover
18		1	1	Top cover
19	50428721	1	1	Sensor (stapler/stacker pass through)

Previous

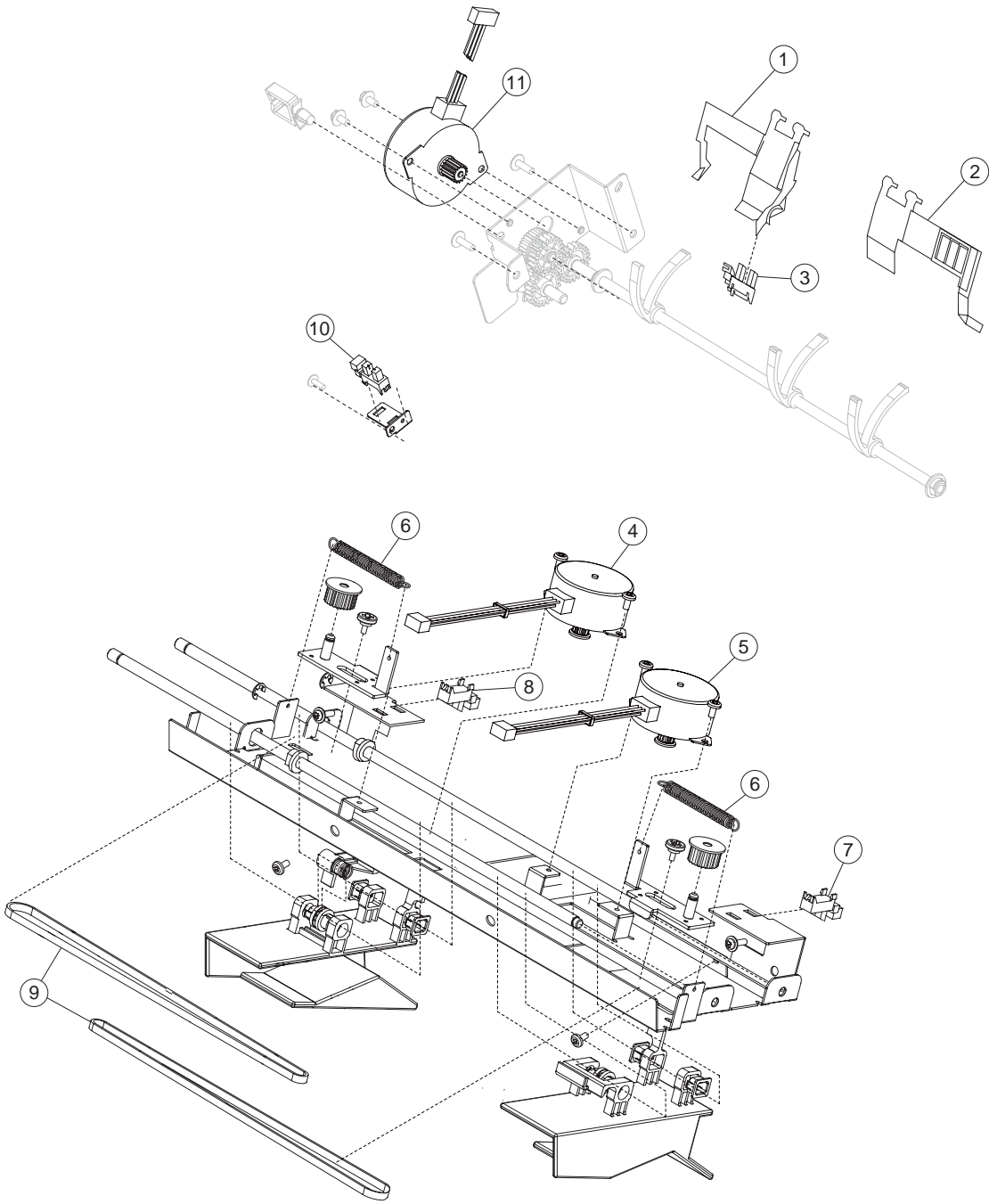


Next



Go Back

Assembly 21: MFP stapler assembly #3



Previous



Next



Go Back

Assembly 21: MFP stapler assembly #3

Asm-Index	Part number	Units/mach	Units/kit or pkg	Description
1		1	1	Media stack flap actuator
2		1	1	Media stack flap
3	50428704	1	1	Sensor (media stack)
4		1	1	Left tamper motor assembly
5		1	1	Right tamper motor assembly
6		1	2	Tamper recoil spring
7	50428704	1	1	Sensor (tamper HP right)
8	50428704	1	1	Sensor (tamper HP left)
9		1	1	Tamper drive belt
10	50428704	1	1	Sensor (paddle HP)
11		1	1	Paddle drive motor

Previous

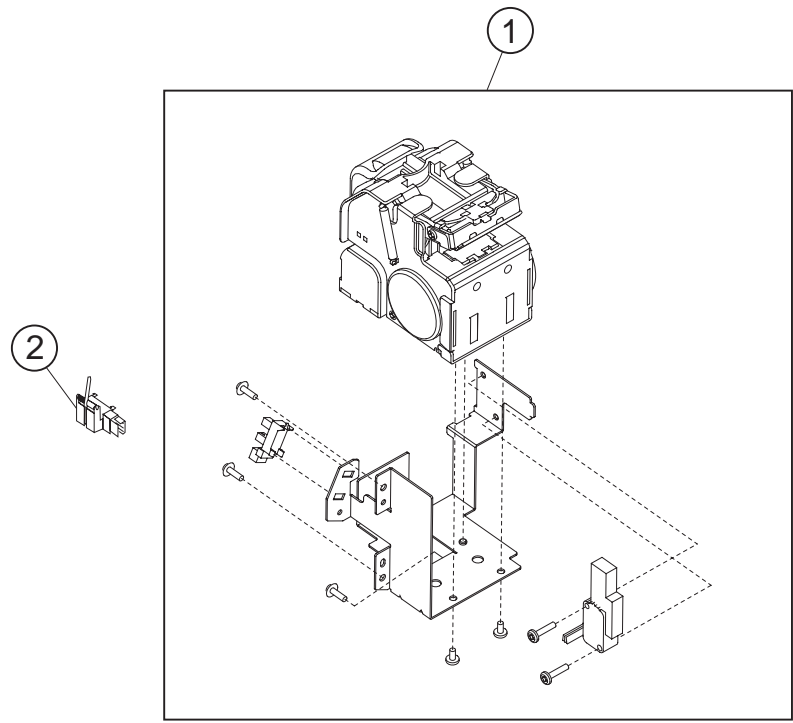


Next



Go Back

Assembly 22: MFP stapler assembly #4



Previous



Next



Go Back

Assembly 22: MFP stapler assembly #4

Asm-Index	Part number	Units/mach	Units/kit or pkg	Description
1		1	1	Stapler assembly
2	50428722	1	1	Sensor (media in stapler)

Previous

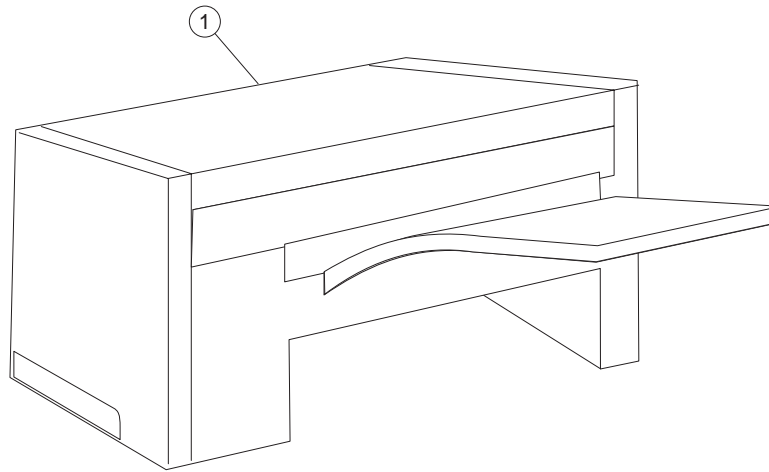


Next



Go Back

Assembly 23: MFP offset stacker assembly #1



Previous



Next



Go Back

Assembly 23: MFP offset stacker assembly #1

Asm-Index	Part number	Units/mach	Units/kit or pkg	Description
1		1	1	MFP offset stacker assembly (comes completely assembled)

Previous



Next



Go Back

Assembly 24: MFP Offset stacker #2

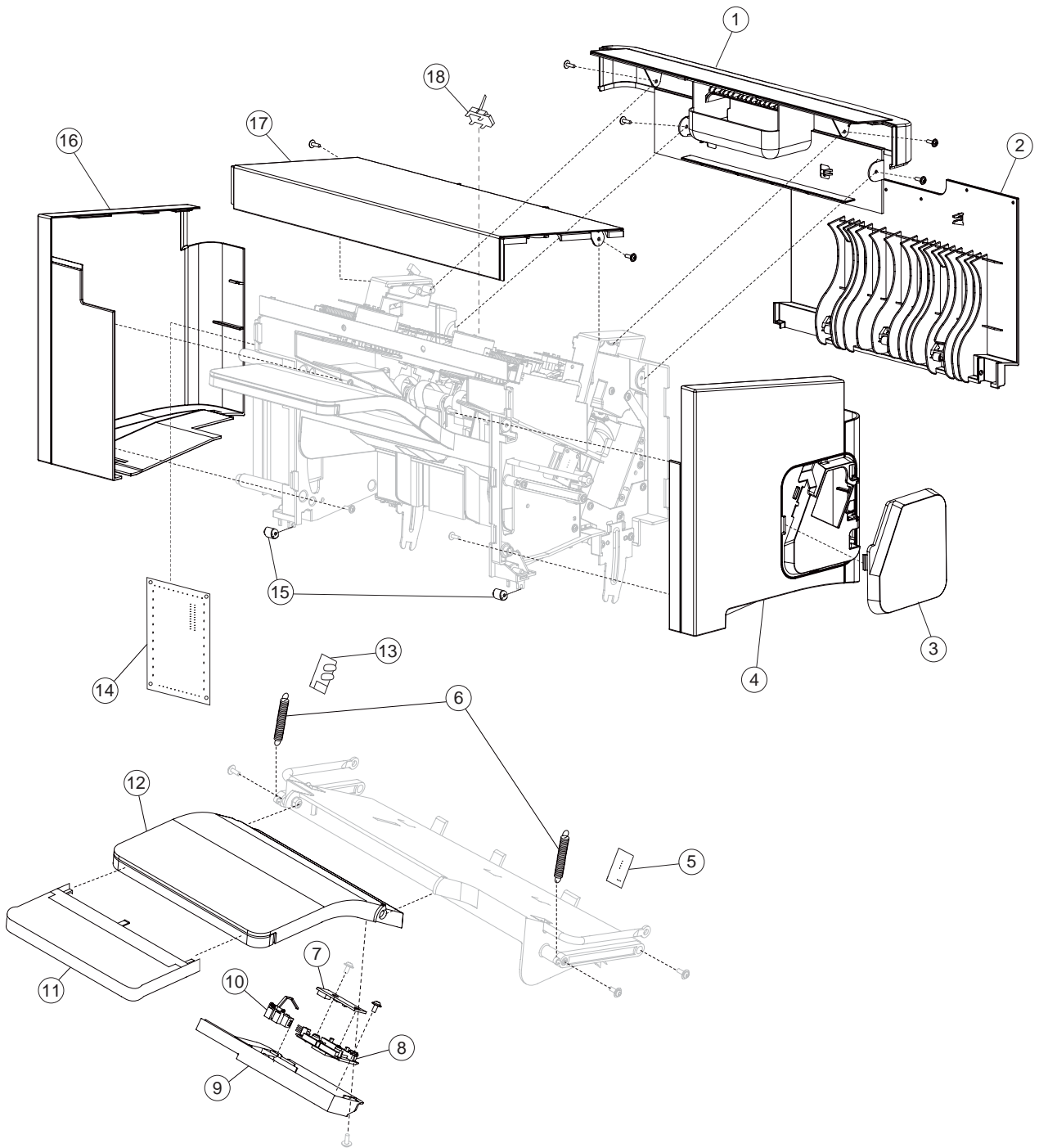
Previous



Next



Go Back



Assembly 24: MFP Offset stacker #2

Asm-Index	Part number	Units/mach	Units/kit or pkg	Description
1		1	1	Handle cover
2	53102503	1	1	Rear door assembly
3		1	1	Stapler cover
4		1	1	Right cover
5	50428720	1	1	Sensor (bin full receive)
6		1	2	Finisher bin spring
7		1	1	Standard output bin LED
8		1	1	LED clear lens
9		1	1	LED sensor cover
10	50428718	1	1	Sensor (finisher bin media present)
11		1	1	Media output bin extension
12		1	1	Media output bin
13	50428719	1	1	Sensor (bin full send)
14	55113406	1	1	Stapler/stacker controller card assembly
15	50428601	1	1	Attach roller
16		1	1	Left cover
17		1	1	Top cover
18	50428721	1	1	Sensor (stapler/stacker pass through)

Previous

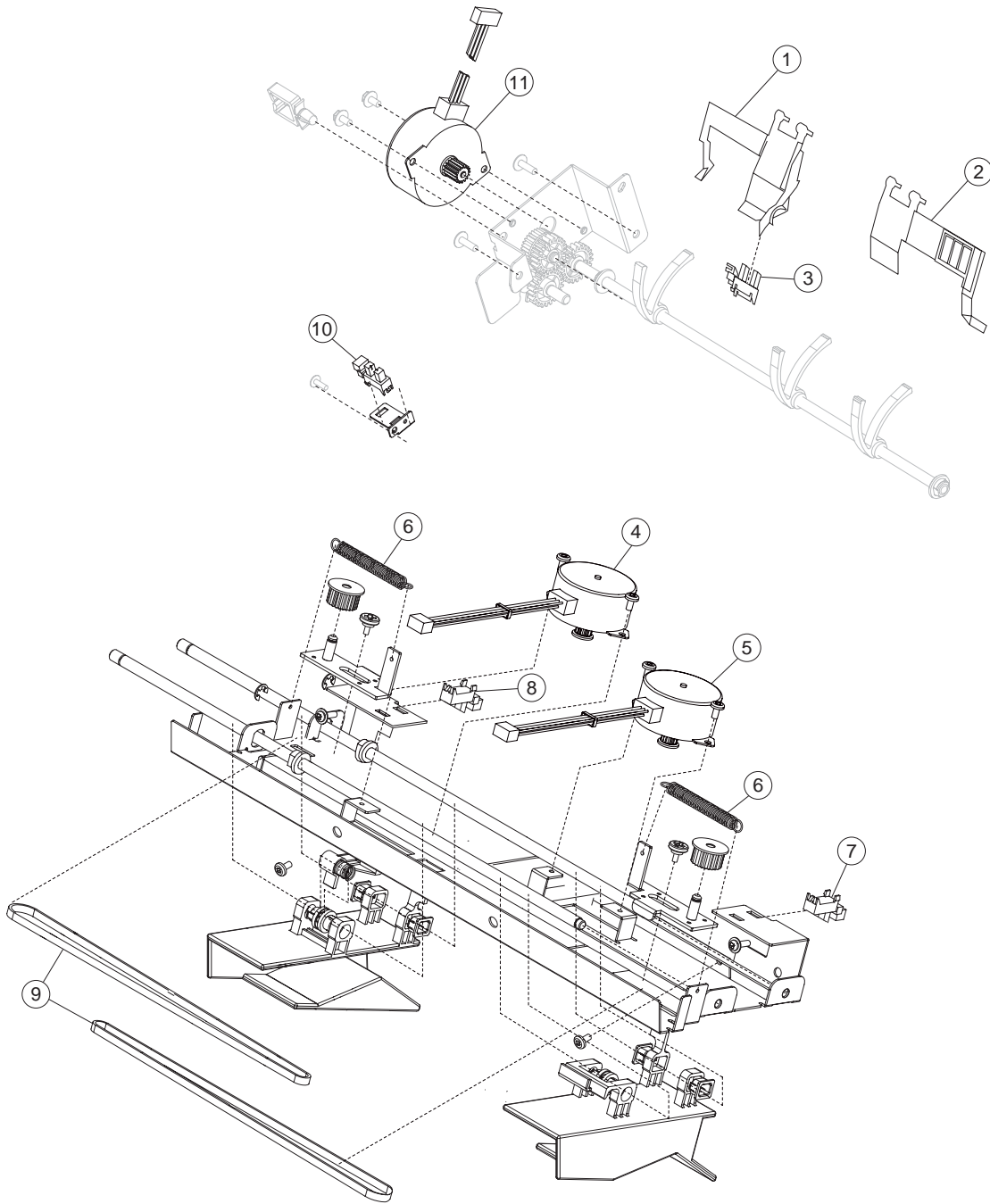


Next



Go Back

Assembly 25: MFP Offset stacker #3



Previous



Next



Go Back

Assembly 25: MFP Offset stacker #3

Asm-Index	Part number	Units/mach	Units/kit or pkg	Description
1		1	1	Media stack flap actuator
2		1	1	Media stack flap
3	50428704	1	1	Sensor (media stack)
4		1	1	Left tamper motor assembly
5		1	1	Right tamper motor assembly
6		1	2	Tamper recoil spring
7	50428704	1	1	Sensor (tamper HP right)
8	50428704	1	1	Sensor (tamper HP left)
9		1	1	Tamper drive belt
10	50428704	1	1	Sensor (paddle HP)
11		1	1	Paddle drive motor

Previous

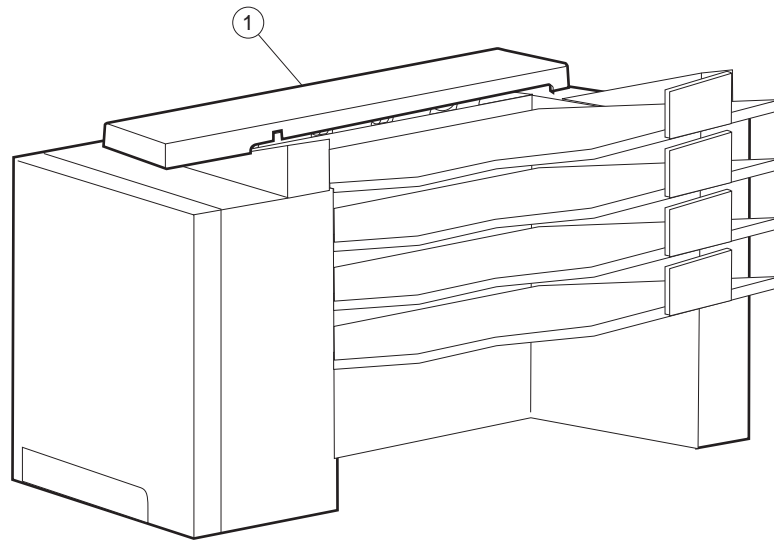


Next



Go Back

Assembly 26: MFP 4-bin mailbox assembly #1



Previous



Next



Go Back

Assembly 26: MFP 4-bin mailbox assembly #1

Asm-Index	Part number	Units/mach	Units/kit or pkg	Description
1		1	1	MFP 4 bin mailbox assembly (comes completely assembled)

Previous

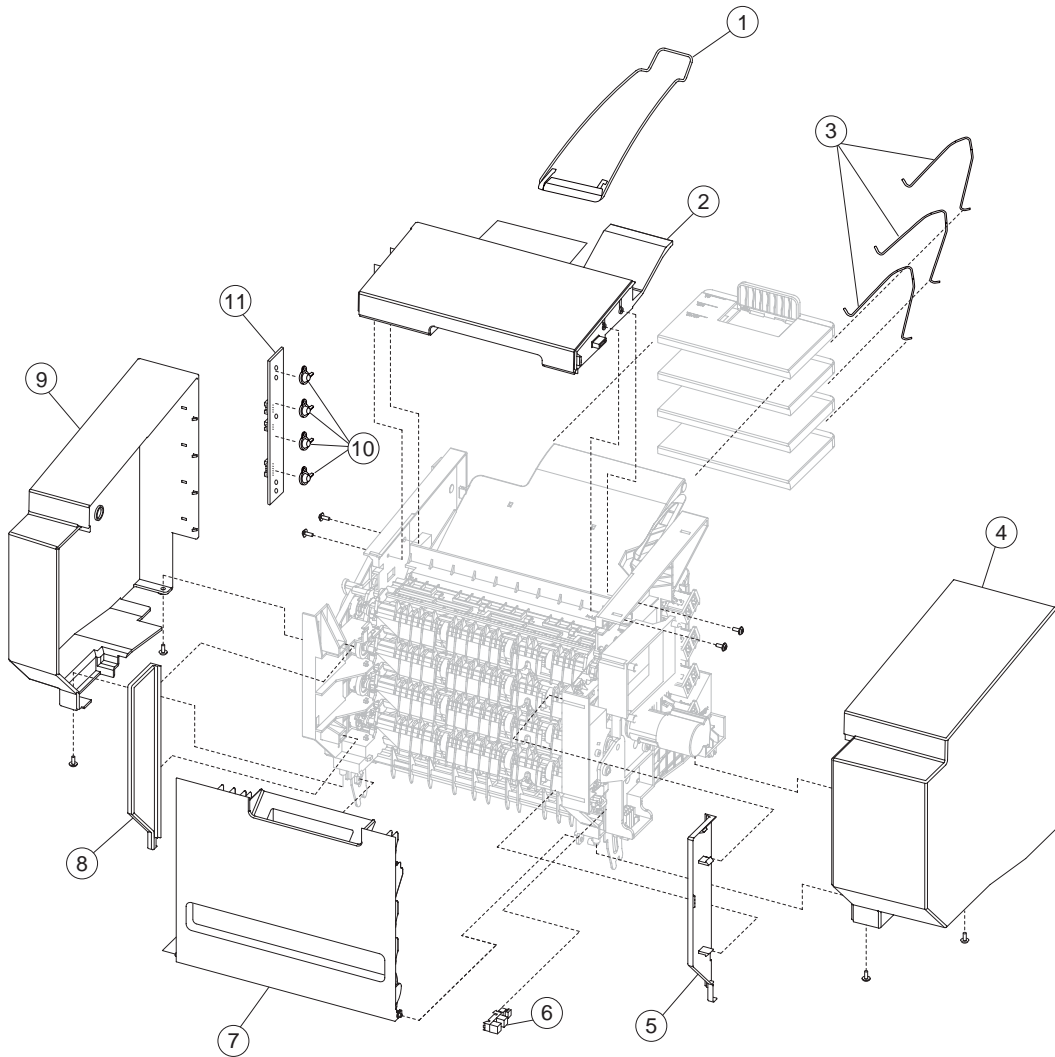


Next



Go Back

Assembly 27: MFP 4-bin mailbox assembly #2



Previous



Next



Go Back

Assembly 27: MFP 4-bin mailbox assembly #2

Asm-Index	Part number	Units/mach	Units/kit or pkg	Description
1		1	1	Top media bin bail
2		1	1	Top cover
3		3	1	1st - 3rd media bail
4		1	1	Left cover
5		1	1	Left rear inner cover
6	50428704	1	1	Sensor (deflector gate HP)
7	53102404	1	1	Rear door assembly
8		1	1	Right rear inner cover
9		1	1	Right cover
10		1	1	LED card assembly
11		4	1	Media output bin light pipe

Previous

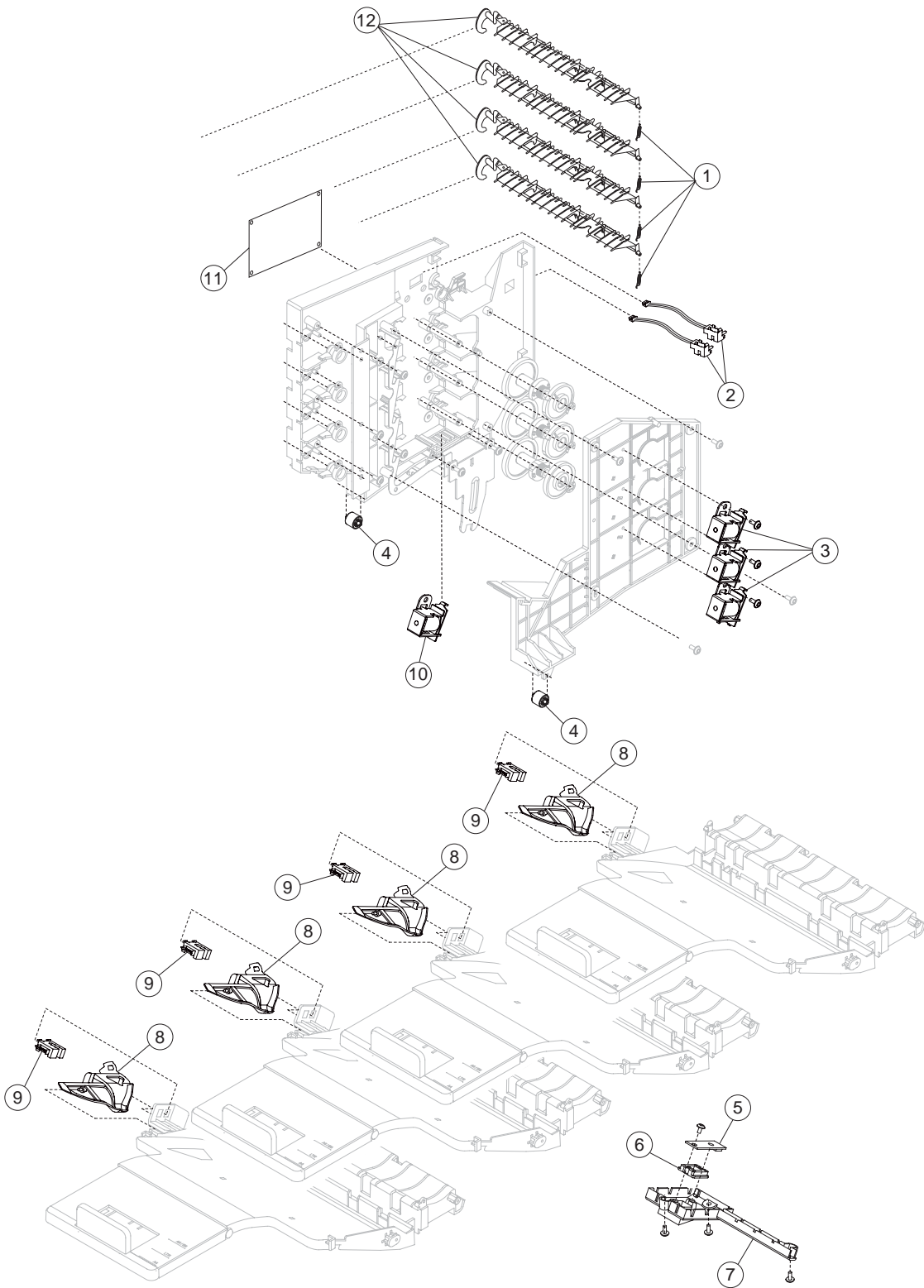


Next



Go Back

Assembly 28: MFP 4-bin mailbox assembly #3



Previous



Next



Go Back

Assembly 28: MFP 4-bin mailbox assembly #3

Asm-Index	Part number	Units/mach	Units/kit or pkg	Description
1		4	1	Spring
2		2	1	Sensor (pass through)
3		3	1	Deflector gate solenoid
4	50428601	1	1	Attach roller
5		1	1	Standard output bin LED
6		1	1	LED clear lens
7		1	1	Output bin LED bracket
8	53366402	4	1	Media bin full actuator
9		4	1	Sensor (media bin full)
10		1	1	Transport solenoid
11	55113407	1	1	4 bin mailbox controller card assembly
12	50817002	4	1	Media bin deflector

Previous

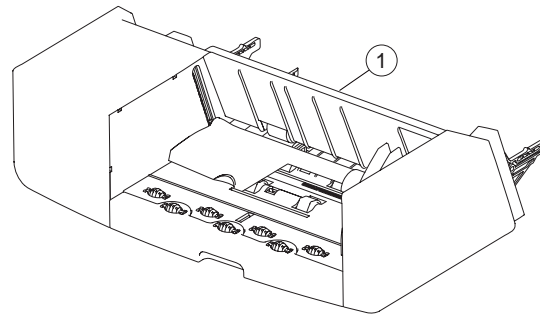


Next



Go Back

Assembly 29: Envelope feeder



Previous



Next



Go Back

Assembly 29: Envelope feeder

Asm-Index	Part number	Units/mach	Units/kit or pkg	Description
1		1	1	Envelope feeder (MB790 only)

Previous



Next



Go Back

Assembly 30: Miscellaneous

Asm-Index	Part number	Units/mach	Units/kit or pkg	Description
NS		1	1	Relocation kit (MB780)
NS		1	1	Relocation kit (MB790)
NS		1	1	Printer maintenance kit (100 V type 1 fuser)
NS	57108101	1	1	Printer maintenance kit (110 V type 1 fuser)
NS		1	1	Printer maintenance kit (220 V type 1 fuser)
NS		1	1	Printer maintenance kit (100 V type 2 fuser)
NS	57108102	1	1	Printer maintenance kit (110 V type 2 fuser)
NS		1	1	Printer maintenance kit (220 V type 2 fuser)
NS	57108103	1	1	ADF maintenance kit
NS		1	1	256 MB SO-DIMM
NS		1	1	512MB SO-DIMM
NS		1	1	1GB (1024MB) SO-DIMM
NS		1	1	256MB user flash memory card
NS	55113601	1	1	TAA hard drive assembly with connector
NS		1	1	PrintCryption card
NS		1	1	Korean font card
NS		1	1	Simplified Chinese font card
NS		1	1	Traditional Chinese font card
NS		1	1	Japanese font card
NS		1	1	Bar code/forms card
NS		1	1	IPDS card (available w/EMEA, AP, LAD
NS		1	1	Forms card with P269UBC code for UBOC
NS		1	1	Parts pack, ISP thumbscrew and standoff
NS		1	1	ISP interface cable assembly
NS		1	1	MarkNet N8120 gigabit ethernet print server
NS		1	1	MarkNet N8130 fiber ethernet print server
NS		1	1	MarkNet N8150 802.11n wireless print server (US/Americas)
NS		1	1	MarkNet N8150 802.11n wireless print server (WW, except US/Americas)
NS		1	1	N4000e print server
NS		1	1	N4050e (1 port USB) wireless 802.11g (US/Americas)
NS		1	1	MarkNet N7002e (1 port parallel) ethernet 10baseT/100BaseTX
NS		1	1	MarkNet N7002e (1 port parallel) ethernet 10base T/100Base TX
NS		1	1	MarkNet N7020e (4 port USB) ethernet 10base T/100Base TX/1000BaseT
NS		1	1	RS-232C serial interface card
NS		1	1	Parallel 1284-B interface card
NS		1	1	10-Foot parallel printer cable
NS		1	1	2-Meter USB printer cable
NS	55113408	1	1	MarkNet N8110-v.34 fax card
NS		1	1	Fax interface card assembly
NS	51036001	1	1	Fuser oil wiper (black housing)
NS	51036002	1	1	Fuser wax wiper (gray housing)

Previous



Next



Go Back

Assembly 30 (continued): Miscellaneous

Asm-Index	Part number	Units/mach	Units/kit or pkg	Description
NS		1	1	Locking universal media drawer with tray, 200 sheet (excluding MB790)
NS		1	1	Locking media drawer with tray, 550 sheet (excluding MB790)
NS		1	1	Locking universal media drawer with tray, 400 sheet (excluding MB790)

Previous



Next



Go Back

Assembly 31: Power cords

Asm-Index	Part number	Units/mach	Units/kit or pkg	Description
NS		1	1	Power cord LV, USA & Canada, Latin America
NS		1	1	Power cord HV, Argentina
NS		1	1	Power cord HV, Chile, Uruguay
NS		1	1	Power cord HV, Paraguay, Austria, Belgium, France, Germany, Italy, Netherlands, Bluemark, Czech & Solvic countries, Greece, Hungary, Medmark 1, Medmark 2, Arabic, Poland, Russia, CIS, Spain, Portugal, & Ireland
NS	56646201	1	1	Power cord LV, Brazil PPB kits
NS		1	1	Power cord HV, Asian, Brunei, Cambodia, Indonesia, Laos, Malaysia, Myanmar, Philippines, Singapore, Thailand, Vietnam, Afghanistan, Bangladesh, Bhutan, India, Nepal, Pakistan, Sri Lanka, Tibet, & Hong Kong
NS		1	1	Power cord HV, Australia & New Zealand
NS		1	1	Power cord 100 V, Japan
NS		1	1	Power cord, HV, Korea
NS		1	1	Power cord, HV PRC
NS		1	1	Power cord LV, Taiwan
NS		1	1	Power cord HV, Denmark, Finland, Norway, Sweden
NS		1	1	Power cord, HV, Israel
NS		1	1	Power cord HV, South Africa, Namibia, Lesotho, Botswana & Pakistan
NS		1	1	Power cord HV, Switzerland

Previous



Next



Go Back

Assembly 32: Universal trays and accessories

Asm-Index	Part number	Units/mach	Units/kit or pkg	Description
NS	50145807	1	1	Universal media drawer with tray, 200 sheet (MB780)
NS		1	1	Universal media tray, 200 sheet (MB780)
NS		1	1	Universal media drawer with tray, 400 sheet (MB780)
NS		1	1	Universal media tray, 400 sheet (MB790)
NS		1	1	Wear strips, smooth 250 sheet
NS		1	1	Wear strips, dimpled 250 sheet
NS		1	1	Wear strips, 3 row dimpled 250 sheet
NS		1	1	Wear strips, 4 row dimpled 250 sheet
NS		1	1	Wear strips, 3 row dimpled 550 sheet
NS		1	1	Wear strips, dinky 550 sheet
NS		1	1	Wear strips, 3 row dimpled 550 sheet
NS		1	1	Wear strips, 4 row dimpled 550 sheet
NS		1	1	250 sheet tray replacement wear strip kit
NS		1	1	550 sheet tray replacement wear strip kit
NS		1	1	Klear screen wipe

Previous



Next



Go Back