

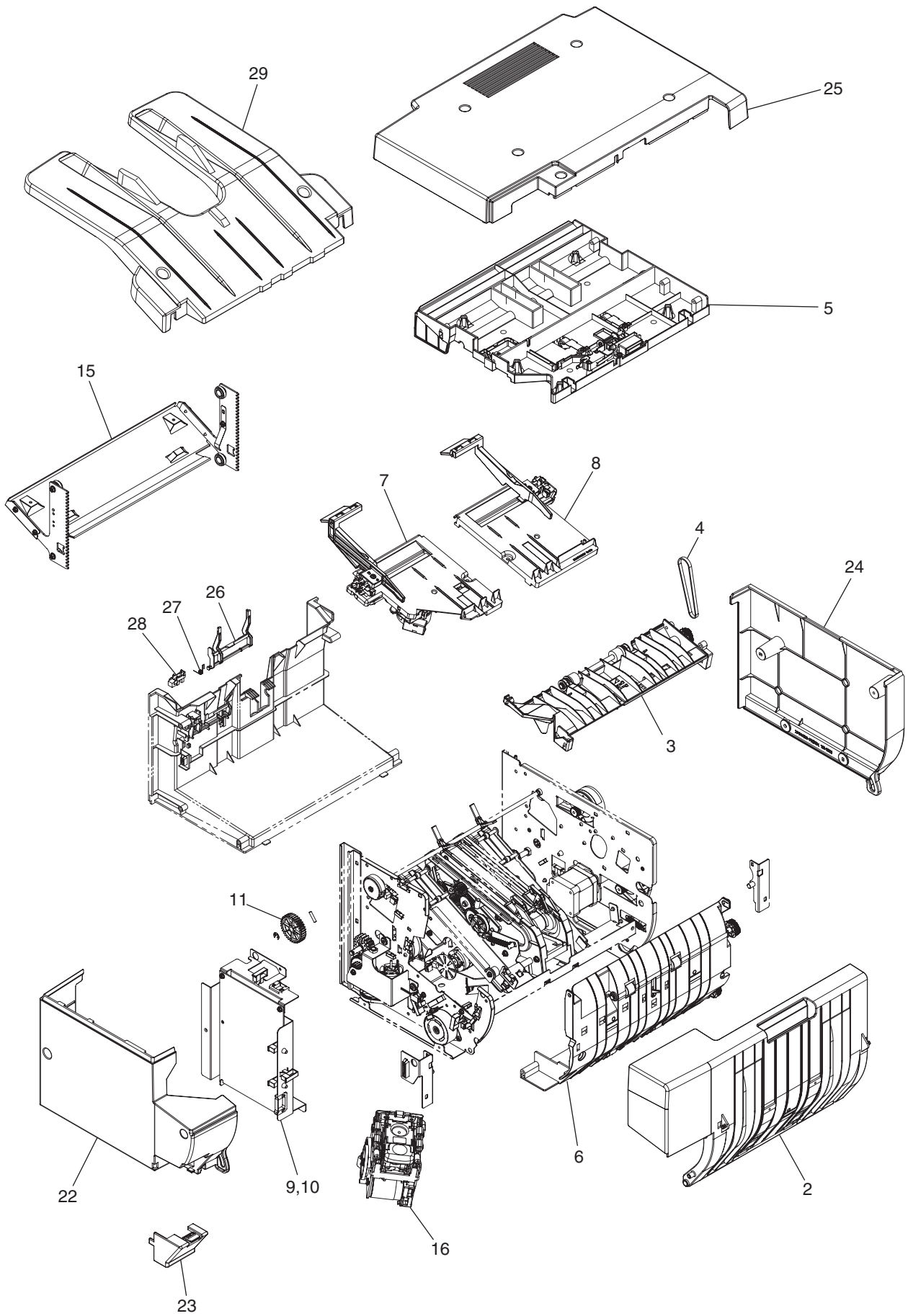
MB770 / MB770+
MPS5502 / MPS5502+
MB770 / MB770+
MC780 / MC780+
MPS3537 / MPS3537+
MPS4242 / MPS4242+

Finisher
Illustrated Parts Manual

MJ-1038

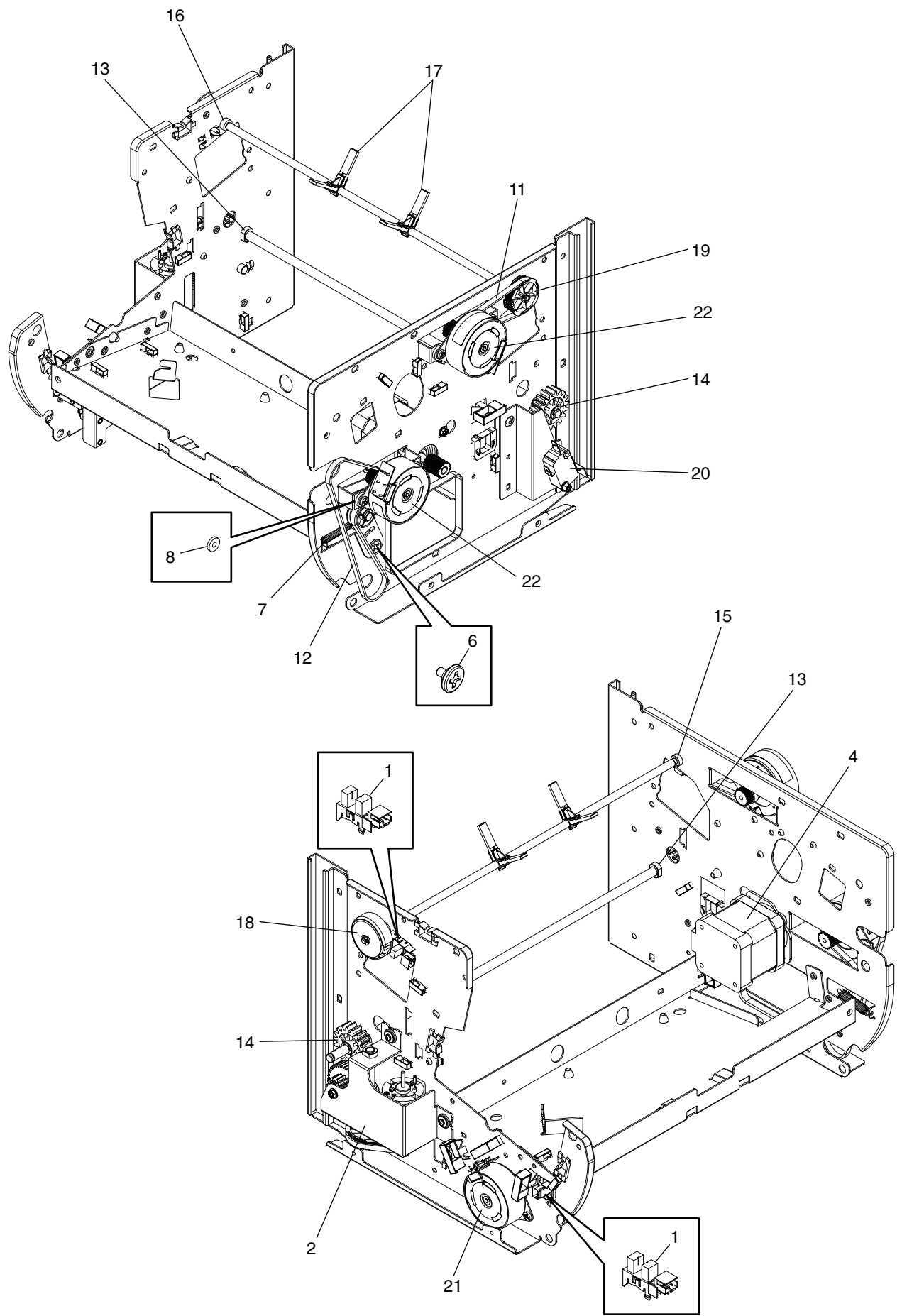
Rev.1

FINISHER UNIT

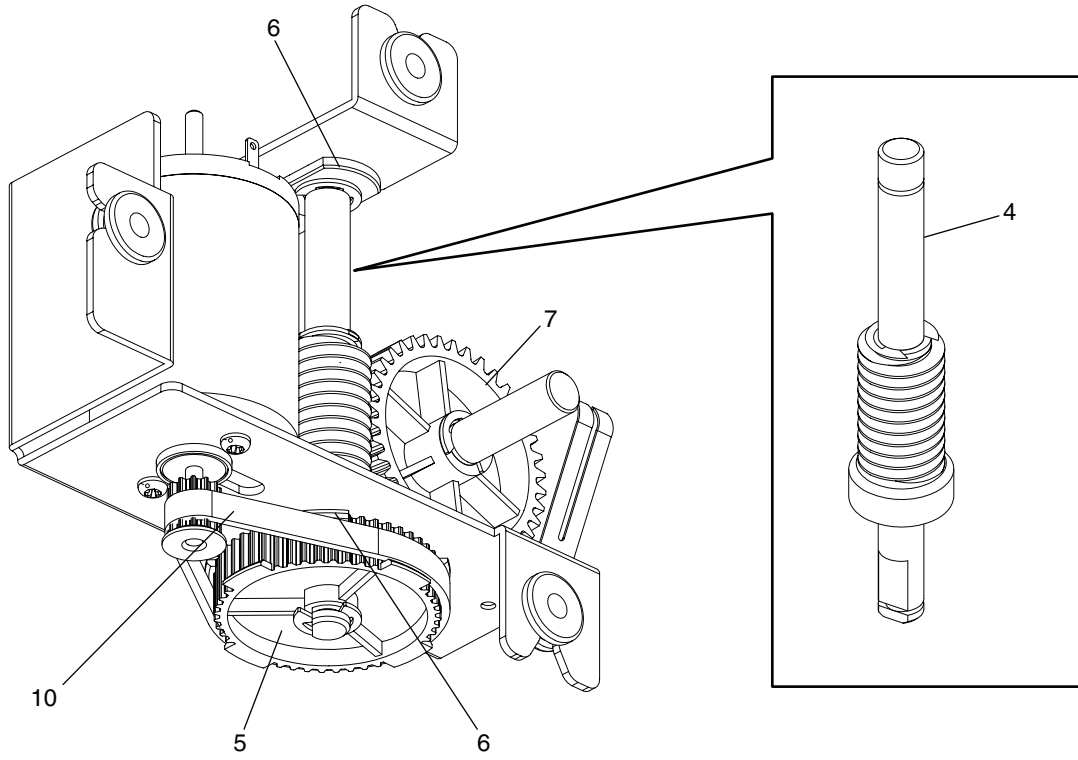


Unit Name	No.	Part No.	Part Name	Q'ty/Unit	Remarks
FINISHER UNIT	2		GUIDE_OPEN_SUB_ASY	1	
FINISHER UNIT	3		GUIDE_COMPILE_SUB_ASY	1	
FINISHER UNIT	4	47109445	B40S2M182_BELT_TIMING	1	
FINISHER UNIT	5		GUIDE_UPR_SUB_ASY	1	
FINISHER UNIT	6		GUIDE_REAR_SUB_ASY	1	
FINISHER UNIT	7		RIGHT-TAMPER_SUB_ASY	1	
FINISHER UNIT	8		LEFT_TAMPER_SUB_ASY	1	
FINISHER UNIT	9	47109450	BKT_MAIN_PCB_SUB_ASY	1	PC board & Braket
FINISHER UNIT	10	47109451	ASSY_PCB_TT-CONT	1	PC board
FINISHER UNIT	11		SPUR_GEAR_Z35	1	
FINISHER UNIT	15		STAY-STAC-SUB-ASY	1	
FINISHER UNIT	16	47109454	STAPLER_SUB_ASY	1	
FINISHER UNIT	22		COVER-RIGHT	1	
FINISHER UNIT	23		COVER-CONNECTOR	1	
FINISHER UNIT	24		COVER-LEFT	1	
FINISHER UNIT	25		COVER-TOP	1	
FINISHER UNIT	26		ACTUATOR-STACKER	1	
FINISHER UNIT	27		T-SPG_ACTUATOR	1	
FINISHER UNIT	28		PI_SENSOR_SG2481	1	
FINISHER UNIT	29		TRAY_STACKER	1	

STACKER-MOTOR-BKT-SUB-ASSY

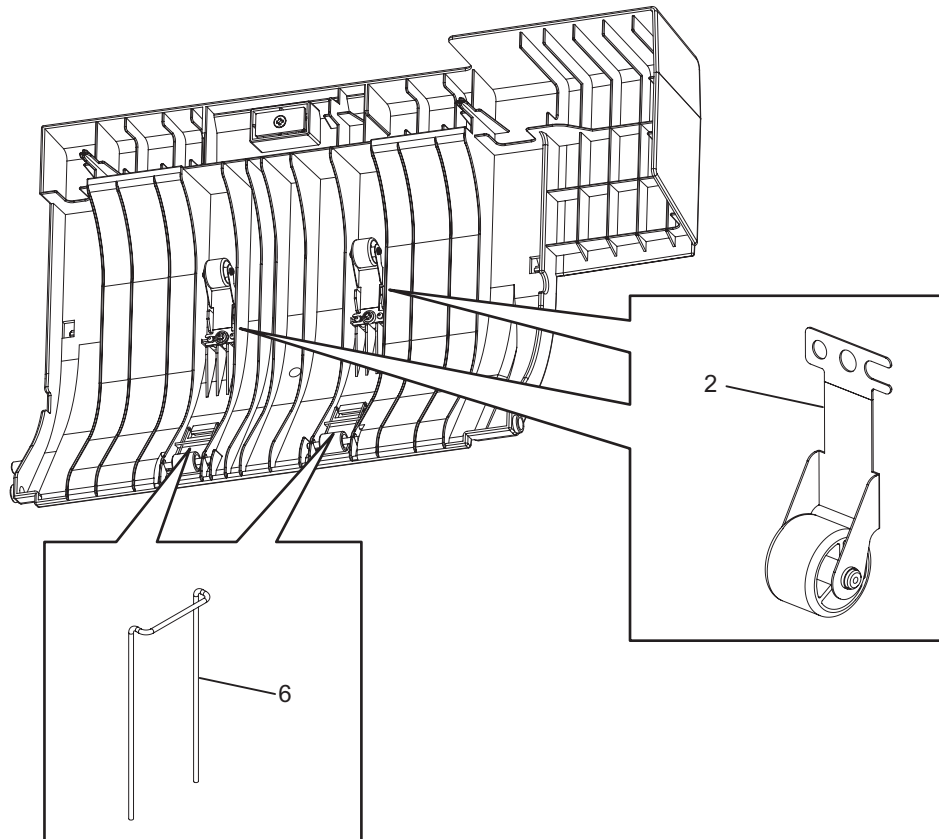


STACKER_MOT_BKT_ASSY



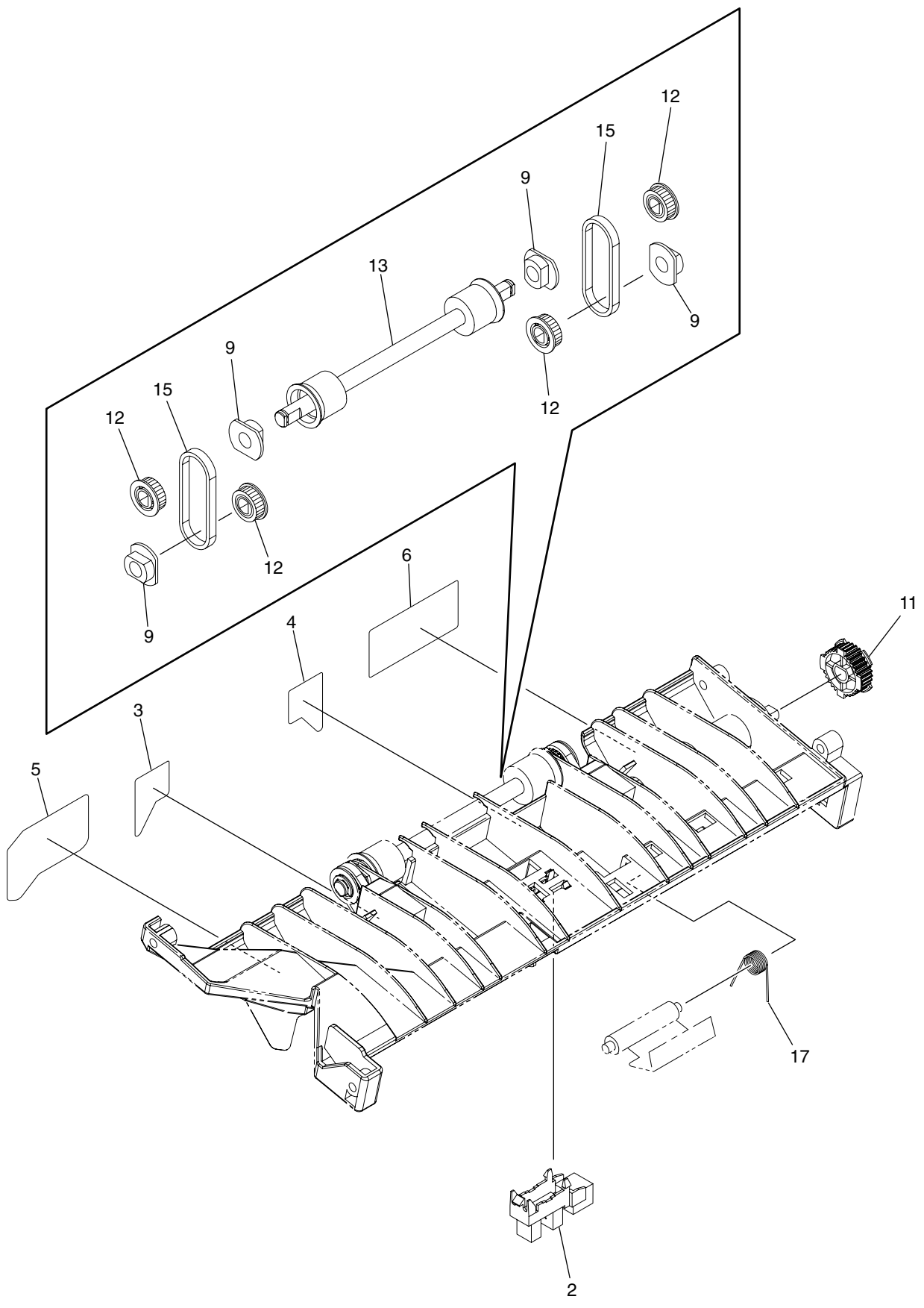
Unit Name	No.	Part No.	Part Name	Q'ty/Unit	Remarks
				2	
STACKER_MOT_BKT_ASSY	4	47109482	WORM_SUB_ASSY	1	
STACKER_MOT_BKT_ASSY	5	47109483	TIMING PULLEY:S2M48T	1	
STACKER_MOT_BKT_ASSY	6	47109471	BUSH-6_D	2	
STACKER_MOT_BKT_ASSY	7	47109485	WORM_WHEEL_STACKER	1	
STACKER_MOT_BKT_ASSY	10	47109486	B40S2M120_STACKER	1	

GUIDE_OPEN_SUB_ASSY



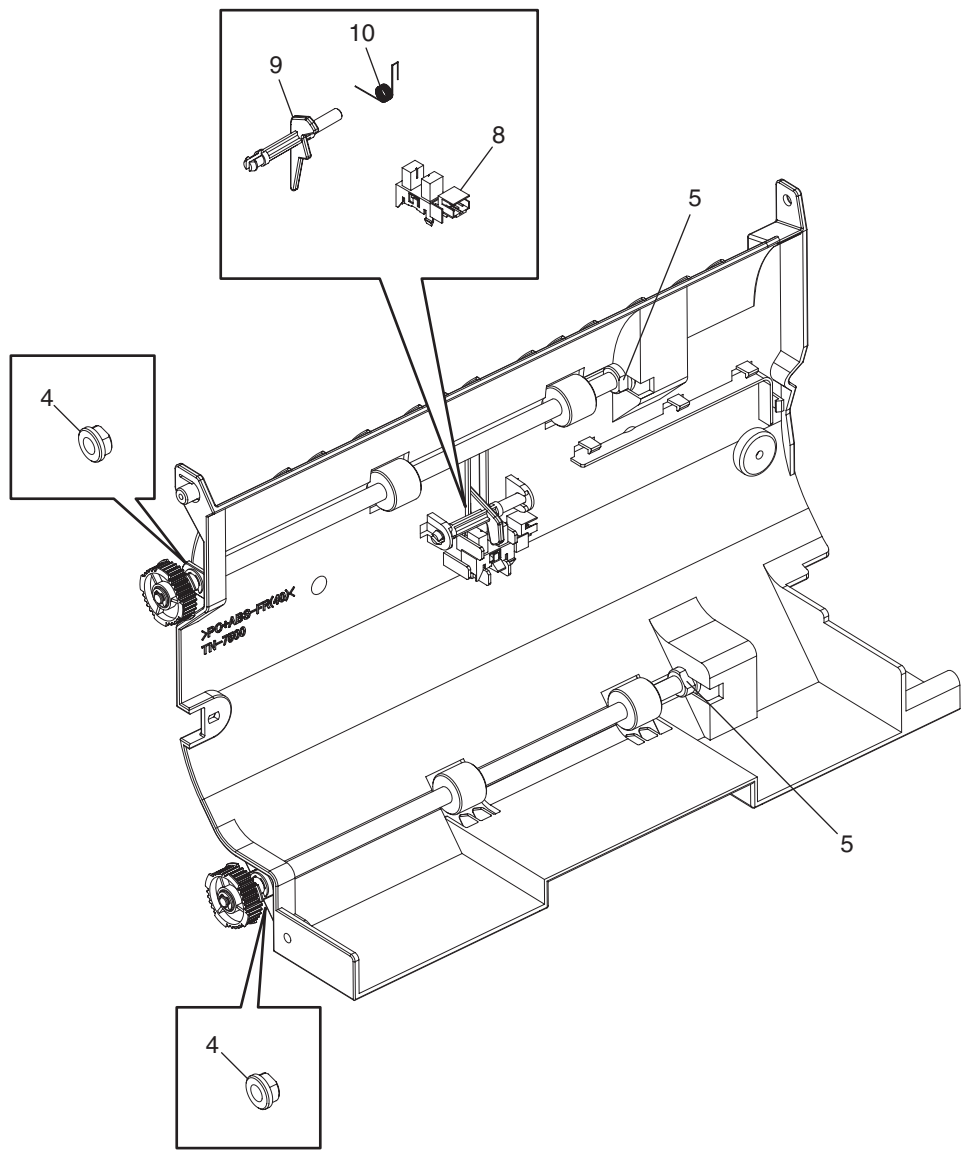
Unit Name	No.	Part No.	Part Name	Q'ty/Unit	Remarks
GUIDE_OPEN_SUB_ASY	2		ROLL_IDLE_FEED_SUB_ASY	2	
GUIDE_OPEN_SUB_ASY	6		T-SPRING-FEED	2	

GUIDE-COMPILE-SUB-ASSY



Unit Name	No.	Part No.	Part Name	Q'ty/Unit	Remarks
GUIDE_COMPILE_SUB_ASY	2		PI_SENSOR_SG2481	1	
GUIDE_COMPILE_SUB_ASY	3		FILM_GUD_COMPILE_CR	1	
GUIDE_COMPILE_SUB_ASY	4		FILM_GUD_COMPILE_CL	1	
GUIDE_COMPILE_SUB_ASY	5		FILM_GUD_COMPILE_R	1	
GUIDE_COMPILE_SUB_ASY	6		FILM_GUD_COMPILE_L	1	
GUIDE_COMPILE_SUB_ASY	9		BUSH-6_D	4	
GUIDE_COMPILE_SUB_ASY	11		TIMING_PLY_T30S2M_D-CUT	1	
GUIDE_COMPILE_SUB_ASY	12		TIMING_PLY_T20S2M_D-CUT	4	
GUIDE_COMPILE_SUB_ASY	13		ROLLER_EXIT	1	
GUIDE_COMPILE_SUB_ASY	15		B30S2M86_BELT_TMG	2	
GUIDE_COMPILE_SUB_ASY	17		T-SPG_ACTUATOR_EJ	1	

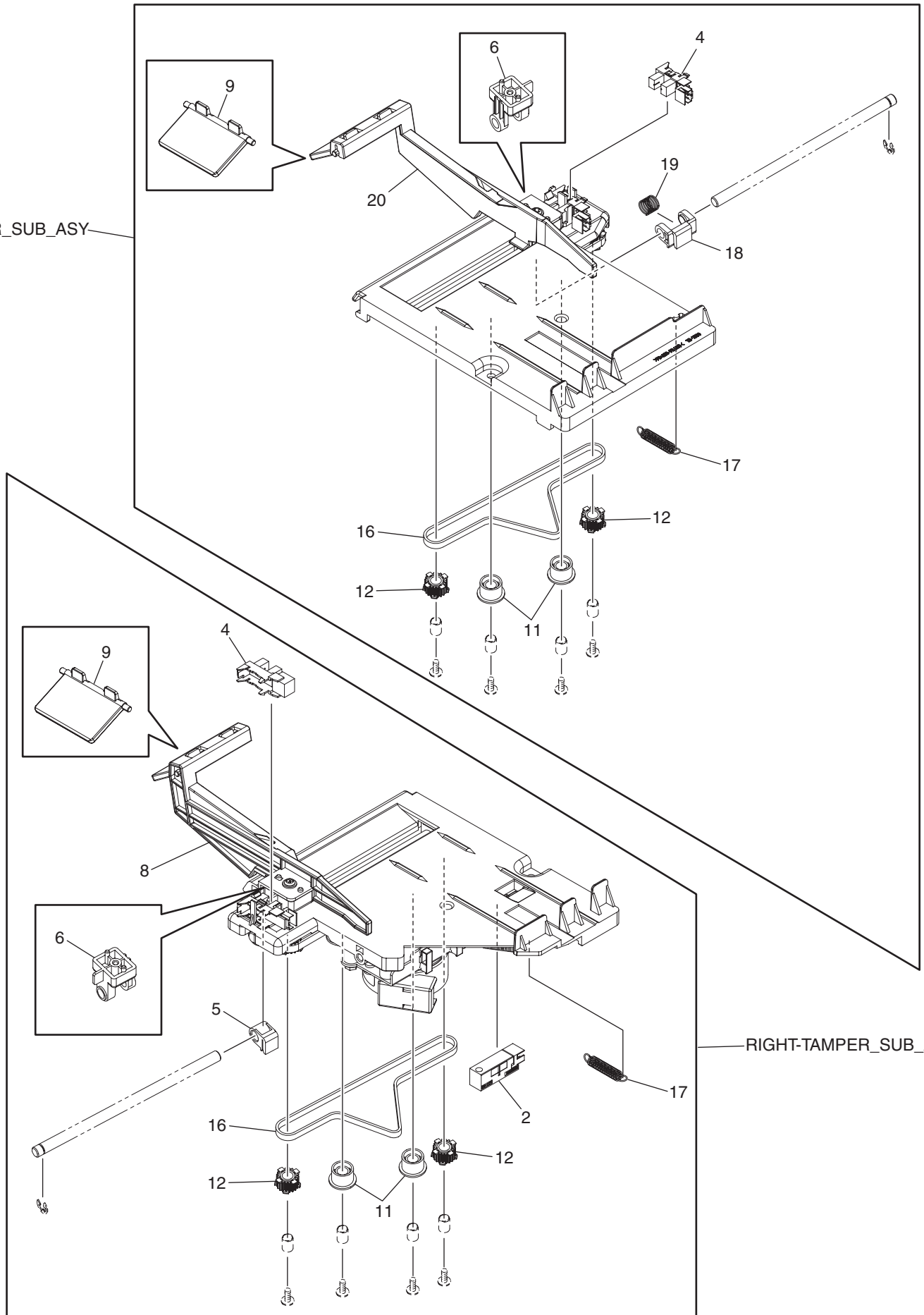
GUIDE_REAR_SUB_ASY



Unit Name	No.	Part No.	Part Name	Q'ty/Unit	Remarks
GUIDE_REAR_SUB_ASY	4		BUSH-6_D	2	
GUIDE_REAR_SUB_ASY	5		BEARING_D6	2	
GUIDE_REAR_SUB_ASY	8		PI_SENSOR_SG2481	1	
GUIDE_REAR_SUB_ASY	9		ACTUATOR_FEED	1	
GUIDE_REAR_SUB_ASY	10		T-SPG_ACTUATOR	1	

RIGHT&LEFT_TAMPER_SUB_ASY

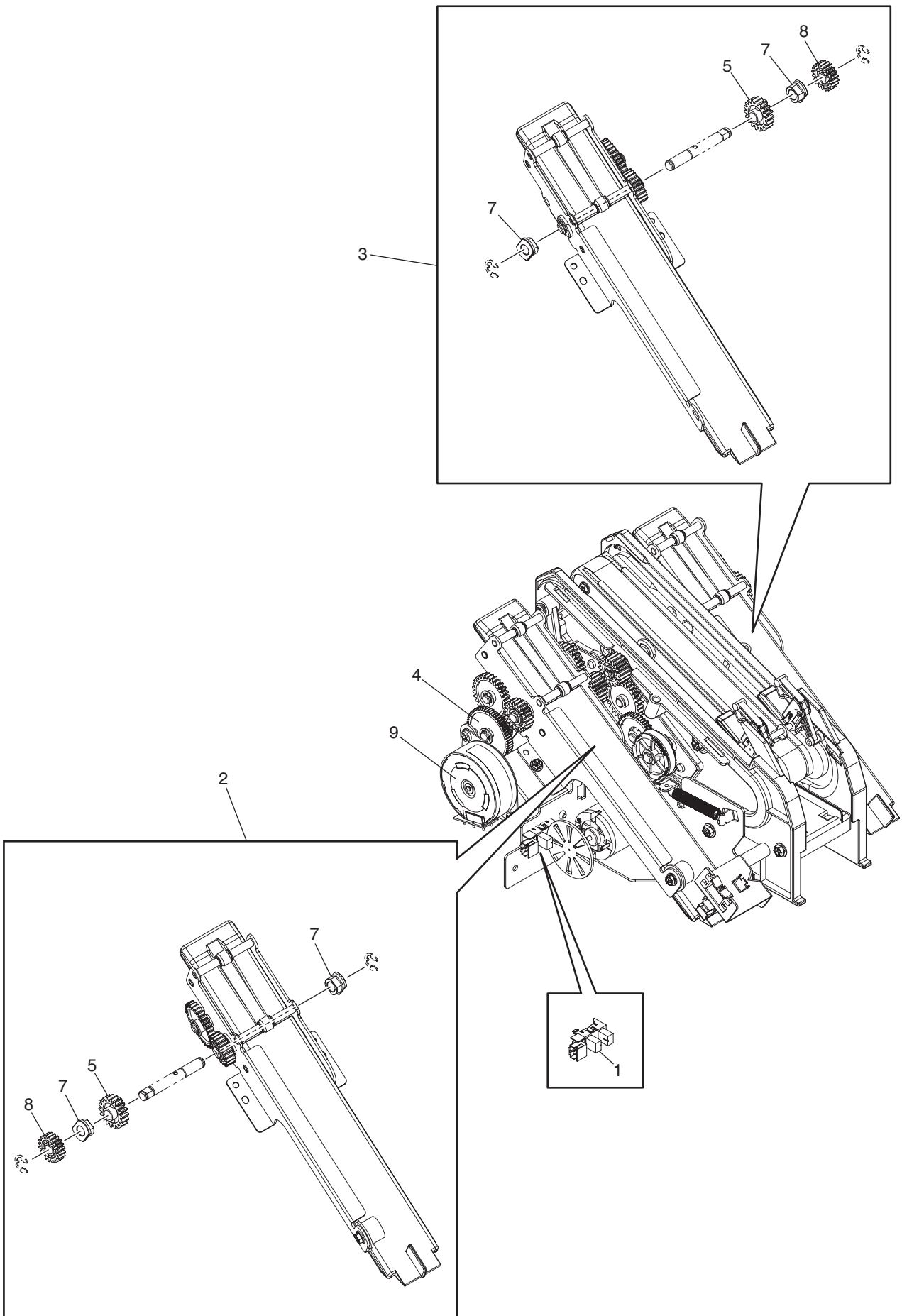
LEFT_TAMPER_SUB_ASY



RIGHT-TAMPER_SUB_ASY

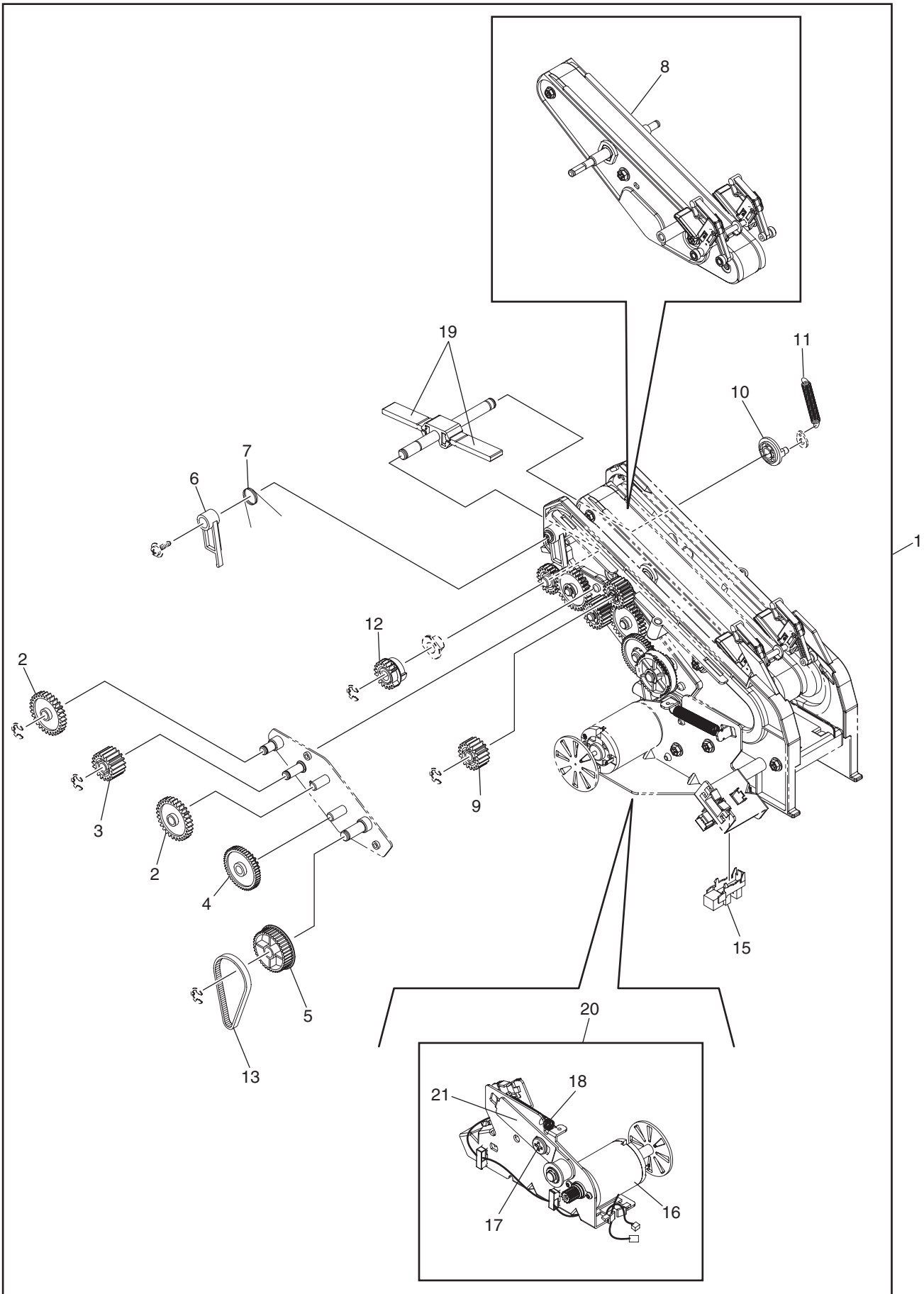
Unit Name	No.	Part No.	Part Name	Q'ty/Unit	Remarks
R&L TAMPER_SUB_ASSY	2		PHOTO_SENS_PS119ED1	1	
R&L TAMPER_SUB_ASSY	4		PI_SENSOR_SG2481	2	
R&L TAMPER_SUB_ASSY	5		HOLD_BELT_TAMPER_F	1	
R&L TAMPER_SUB_ASSY	6		LM_BUSH_TAMPER	2	
R&L TAMPER_SUB_ASSY	8		SIDE_FENCE_TAMP_RIGHT	1	
R&L TAMPER_SUB_ASSY	9		SUPRESSOR_CURL	2	
R&L TAMPER_SUB_ASSY	11		ROLLER_TAMPER	4	
R&L TAMPER_SUB_ASSY	12		TMG_PULY_T20_TAMPER	4	
R&L TAMPER_SUB_ASSY	16		B40S2M290_TAMPER	2	
R&L TAMPER_SUB_ASSY	17		E-SPG_TIGHTNER_FEED	2	
R&L TAMPER_SUB_ASSY	18		HLDR_BELT_TAMPER_REAR	1	
R&L TAMPER_SUB_ASSY	19		C-SPRING_TAMPER	1	
R&L TAMPER_SUB_ASSY	20		SIDE_FENCE_TAMP_LEFT	1	

PAPER-SPT-SUB-ASSY-RIGHT&LEFT



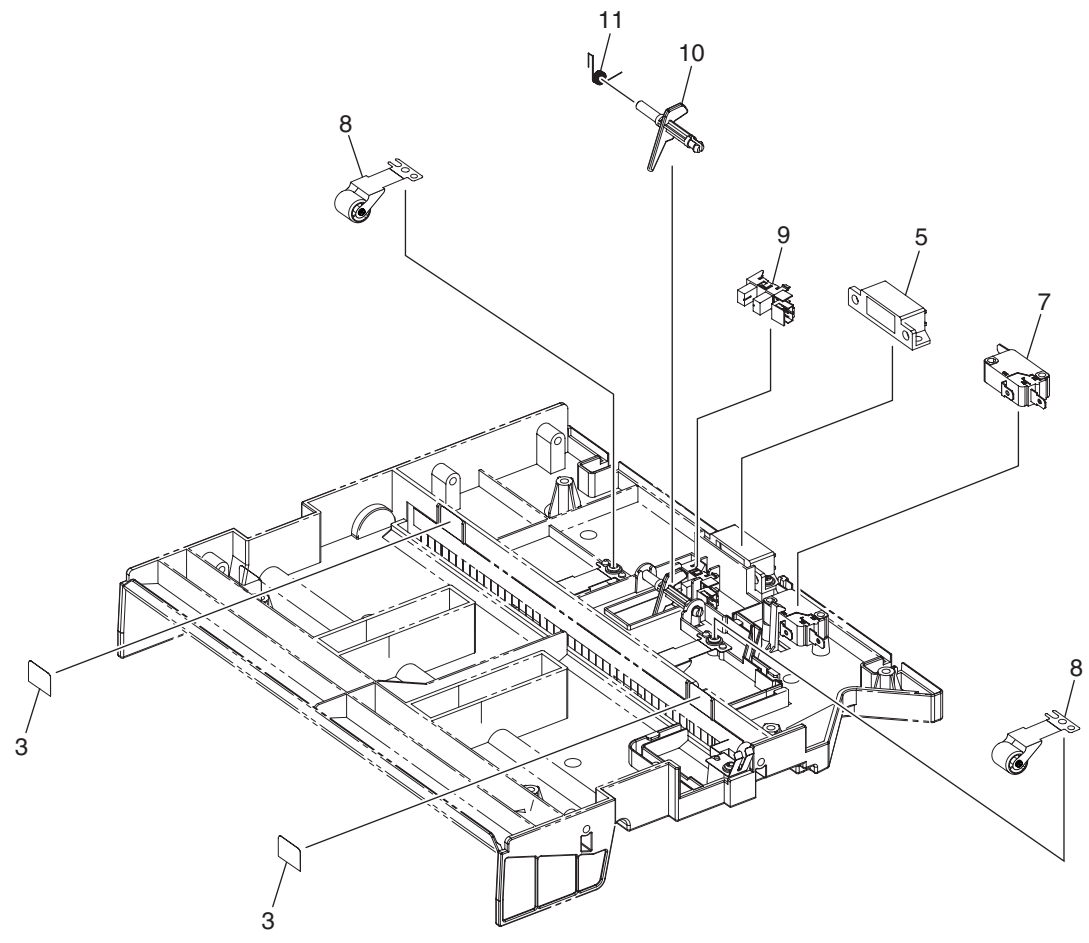
Unit Name	No.	Part No.	Part Name	Q'ty/Unit	Remarks
PAPER-SPT-SUB-ASSY-R & L	1		PI_SENSOR_SG2481	1	
PAPER-SPT-SUB-ASSY-R & L	2		PAPER_SPT_SUB_ASY_R	1	
PAPER-SPT-SUB-ASSY-R & L	3		PAPER_SPT_SUB_ASY_L	1	
PAPER-SPT-SUB-ASSY-R & L	4		GEAR_Z60	1	
PAPER-SPT-SUB-ASSY-R & L	5		RACK_PINION_Z18	2	
PAPER-SPT-SUB-ASSY-R & L	7		BUSH-6_D	4	
PAPER-SPT-SUB-ASSY-R & L	8		GEAR_Z20	2	
PAPER-SPT-SUB-ASSY-R & L	9		ASSY-PM-MOTOR-Z18	1	

EJECTOR-SUB-ASSY



Unit Name	No.	Part No.	Part Name	Q'ty/Unit	Remarks
EJECTOR-SUB-ASSY	1	47109533	EJECTOR_SUB_ASSY	1	
EJECTOR-SUB-ASSY	2		SPUR_GEAR_Z30M08_EJECT	2	
EJECTOR-SUB-ASSY	3		SPUR_GEAR_Z19_SCU_EJECT	1	
EJECTOR-SUB-ASSY	4		GEAR_M08Z19M05Z50_EJECT	1	
EJECTOR-SUB-ASSY	5		GEAR-PULY_S2MT40M05T24_EJ	1	
EJECTOR-SUB-ASSY	6		HOOK_CAM_EJECT	1	
EJECTOR-SUB-ASSY	7		T-SPG_LATCH_SCU	1	
EJECTOR-SUB-ASSY	8	47109540	EJCT_BELT_FRM_SUB_ASY	1	
EJECTOR-SUB-ASSY	9		SPUR_GEAR_Z19_D-CUT_EJ	1	
EJECTOR-SUB-ASSY	10		ROT_CAM_SCU_SUB_ASY	1	
EJECTOR-SUB-ASSY	11	47109543	E-SPG_CLUTCH_SCU	1	
EJECTOR-SUB-ASSY	12		GEAR_CAM_SCU	1	
EJECTOR-SUB-ASSY	13		B40S2M120_STACKER	1	
EJECTOR-SUB-ASSY	15		PI_SENSOR_SG2481	1	
EJECTOR-SUB-ASSY	16	47109548	MOTOR_EJECT	1	
EJECTOR-SUB-ASSY	17		STEP_SCW_M3X4_6_15	1	
EJECTOR-SUB-ASSY	18		E-SPG_TENSINOER_EJ	1	
EJECTOR-SUB-ASSY	19		SCU_PADDLE_SUB_ASY	2	
EJECTOR-SUB-ASSY	20		BKT_DCMOT_EJ_SUB_ASY	1	
EJECTOR-SUB-ASSY	21		BELT_TIG_EJECT_ASY	1	

GUIDE_UPR_SUB_ASY



Unit Name	No.	Part No.	Part Name	Q'ty/Unit	Remarks
GUIDE_UPR_SUB_ASY	3		FILM-EXIT	2	
GUIDE_UPR_SUB_ASY	5		ASY_MAGNET_2.5KGF	1	
GUIDE_UPR_SUB_ASY	7		MICRO_SW_AM51632C53N	1	
GUIDE_UPR_SUB_ASY	8		ROLL_IDLE_FEED_SUB_ASY	2	
GUIDE_UPR_SUB_ASY	9		PI_SENSOR_SG2481	1	
GUIDE_UPR_SUB_ASY	10		ACTUATOR_FEED	1	
GUIDE_UPR_SUB_ASY	11		T-SPG_ACTUATOR	1	