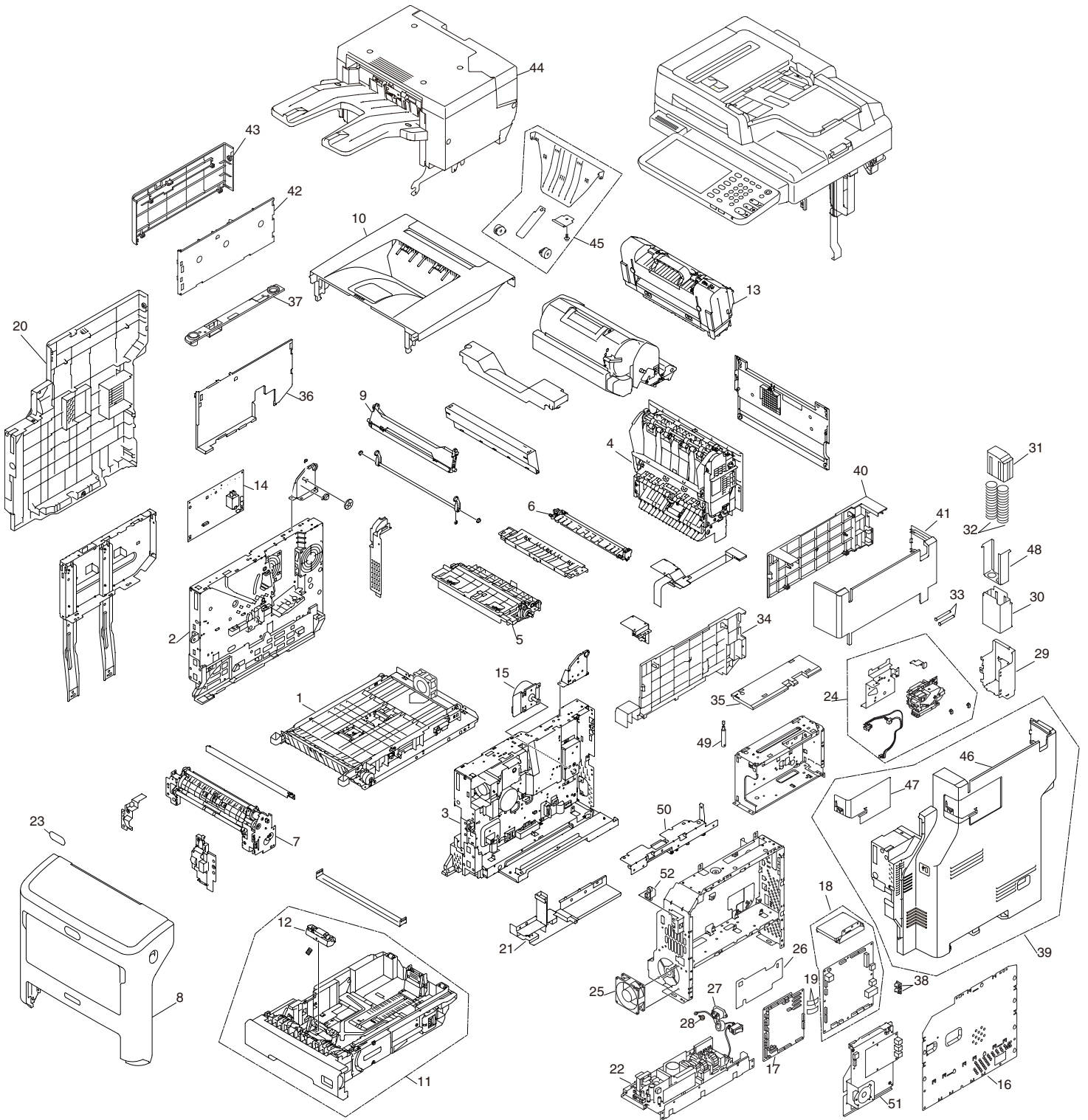


**MB760 / MB770
MPS5502
Illustrated Spare
Parts Manual**

061714E

MFP-NIP

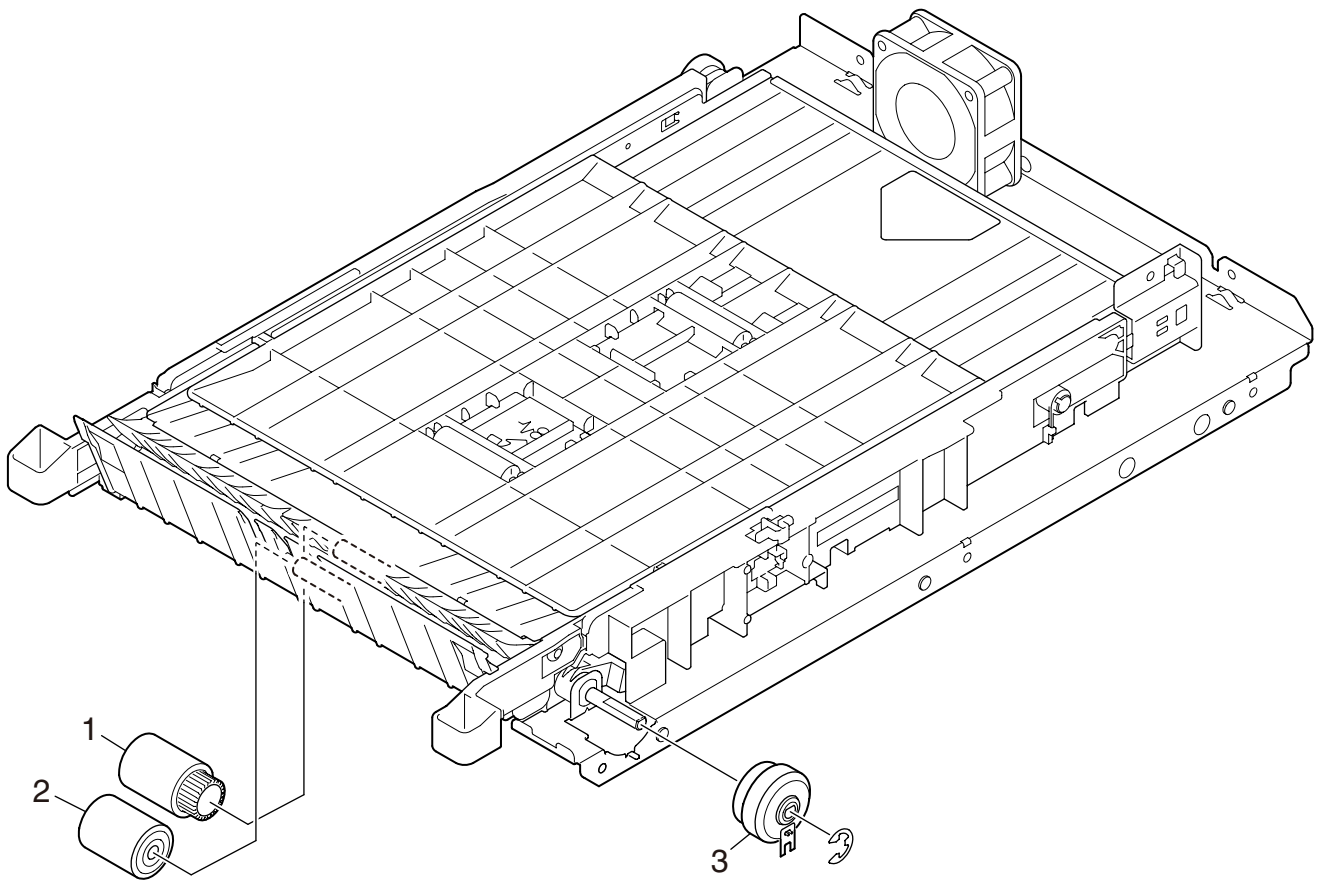


No.	Part No.	Part Name	Q'ty /Unit	Recommended Q'ty/Year			Remarks
				per 500	per 1000	per 2000	
1		Plate-Assy-Base(FN)	1	1	2	4	
2		Plate-Assy-Side(L-FN)	1	1	2	4	
3		Plate-Assy-Side(R-FN)	1	1	2	4	
4-a	45375102	Eject-Assy(FN-T)	1	1	2	4	MB770f MPS5502mbf
4-b	45375103	Eject-Assy	1	1	2	4	MB760b MB760 MB770 MPS4900mb MPS5502mb
5	45379002	TR-Assy-Front(FN)	1	1	2	4	Transport Assy
6	45379101	TR-Assy-Middle	1	1	2	4	Transfer Roller Assy
7	45377801	Feeder-Assy-Regist	1	1	2	4	
8		Cover-Assy-Front(FN)	1	1	2	4	
9	45378402	Holder-Assy-Head(FN)	1	1	2	4	
10-a		Cover-Assy-Stacker(FN)	1	1	2	4	MB760b MB760 MB770 MPS4900mb MPS5502mb
10-b		Cover Assy.-ST(Tall)	1	1	2	4	MB770f MPS5502mbf
11	45373001	Cassette-Assy	1	1	2	4	
12	43895001	Frame-Assy-Retard	1	1	2	4	
13-a	45379304	Fuser-Assy-PN298_Spare(120V)	1	5	10	20	110-127V
13-b	45379305	Fuser-Assy-PN298_Spare(230V)	1	5	10	20	220-240V
14	45098901	Power Supply - High Voltage	1	1	2	4	
15	45371201	Motor-DC(F)	1	1	2	4	
16		Plate-Shield(Board)	1	1	2	4	
17	45296202	Board-Maintenance 8PU	1	1	2	4	
18	45554902	Board-St_Helens_SRAM	1	1	2	4	Board SRAM
18	45554903	Board-St_Helens_DIMM	1	1	2	4	Board DIMM
18	45729533	Board-St_Helens_HDD	1	1	2	4	HDD
18		Board-St_Helens_HDD_Cable	1	1	2	4	HDD Cable

No.	Part No.	Part Name	Qty /Unit	Recommended Qty/Year			Remarks
				per 500	per 1000	per 2000	
18	45554906	Board-St_CU(Mono)	1	1	2	4	Board CU
19		FFC34-50-0.5-003AU 2381103P0001	1	2	4	8	
20		Cover-Side(L)	1	1	2	4	
21		Guide-Cable(POW)	1	1	2	4	
22	45271601	Power-Assy	1	2	4	8	Power Unit (LOW Voltage)
23		Plate-Logo	1	1	2	4	
24	45393501	Stapler_Unit	1	1	2	4	
25	45163401	Motor-Fan(80)	1	1	2	4	Power FAN
26		Film-Board(Guard)	1	1	2	4	
27		CONN Cord-JST3P- INLET	1	1	2	4	AC Inlet
28		Screw-PLWB4	1	1	2	4	AC Inlet Screw
29	45037501	Plate-Hinge(FB)	1	1	2	4	
30	45037601	Sleeve-Hinge(FB)	1	1	2	4	
31	45037701	Slider-Hinge(FB)	1	1	2	4	
32	45037801	Spring-Hinge(FB)	2	2	4	8	
33	45038201	Shaft-Guide(Hinge)	2	2	4	8	
34		Cover-Side(R-inner)	1	1	2	4	
35		Cover-Side-(R-Top)	1	1	2	4	
36		Cover-Side(L-Inner)	1	1	2	4	
37		Cover-Side(L-Top)	1	1	2	4	
38		Cover-Connector-FAX	1	1	2	4	
39		Cover Assy.-Side(R)	1	1	2	4	
40		Cover-Side(R-Inner-EX)	1	1	2	4	MB770f MPS5502mbf
41		Cover-Side(R-EX)	1	1	2	4	MB770f MPS5502mbf

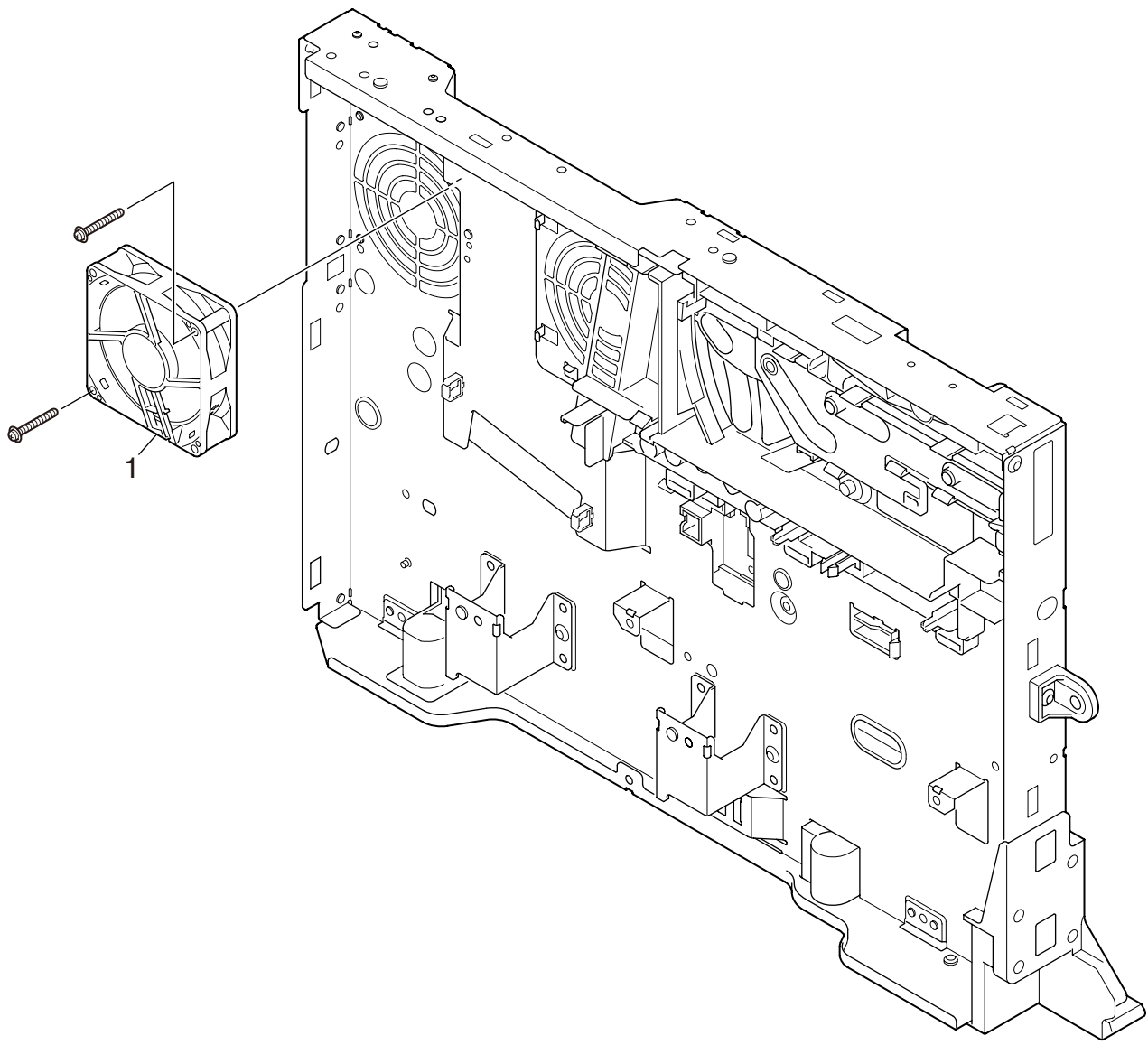
No.	Part No.	Part Name	Qty /Unit	Recommended Qty/Year			Remarks
				per 500	per 1000	per 2000	
42		Cover-Side(L-Inner-EX)	1	1	2	4	MB770f MPS5502mbf
43		Cover-Side(L-EX)	1	1	2	4	MB770f MPS5502mbf
45	45572001	Finisher-Damper-Kit(FN)	1	1	2	4	with Film-Guide
46		Cover-Side(R)	1	1	2	4	
47		Cover-Stapler	1	1	2	4	
48		Film-Slider(FB)	1	1	2	4	
49	45484501	Soft-Absorber	1	1	2	4	
50		Plate-Support(Stay)	1	1	2	4	
52		CONN Cord-USB	1	1	2	4	

Plate-Assy-Base



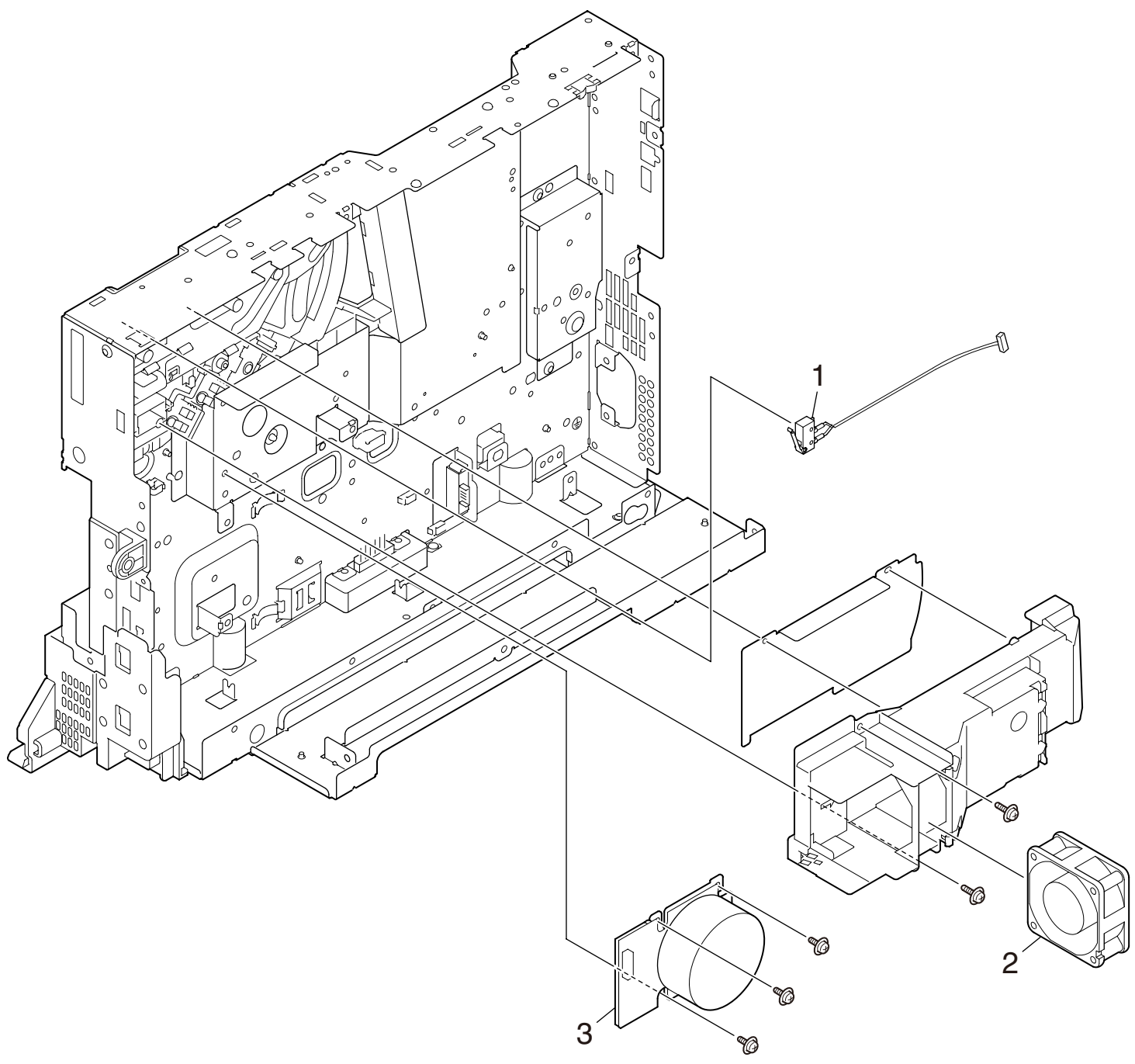
No.	Part No.	Part Name	Qty /Unit	Recommended Qty/Year			Remarks
				per 500	per 1000	per 2000	
1	42699401	Roller-Pick-Up	1	1	2	4	
2	43000601	Roller-Feed-NOW	1	1	2	4	
3	45366001	Clutch	1	1	2	4	

Plate-Assy-Side(L)



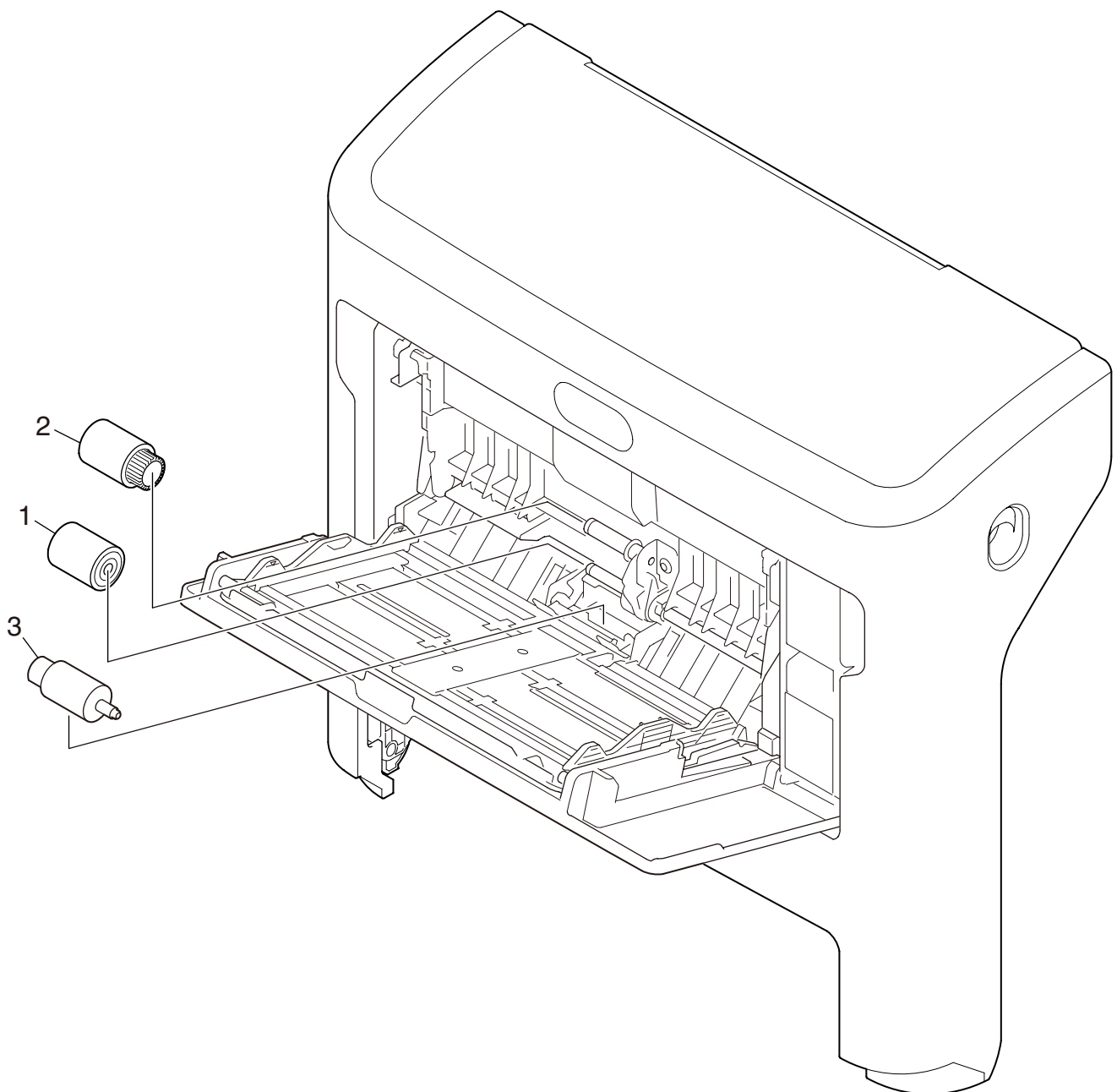
No.	Part No.	Part Name	Qty /Unit	Recommended Qty/Year			Remarks
				per 500	per 1000	per 2000	
1	56526901	U80T24MUA7-53J10 2702071P0001 Fan Motor	1	1	2	4	

Plate-Assy-Side(R)



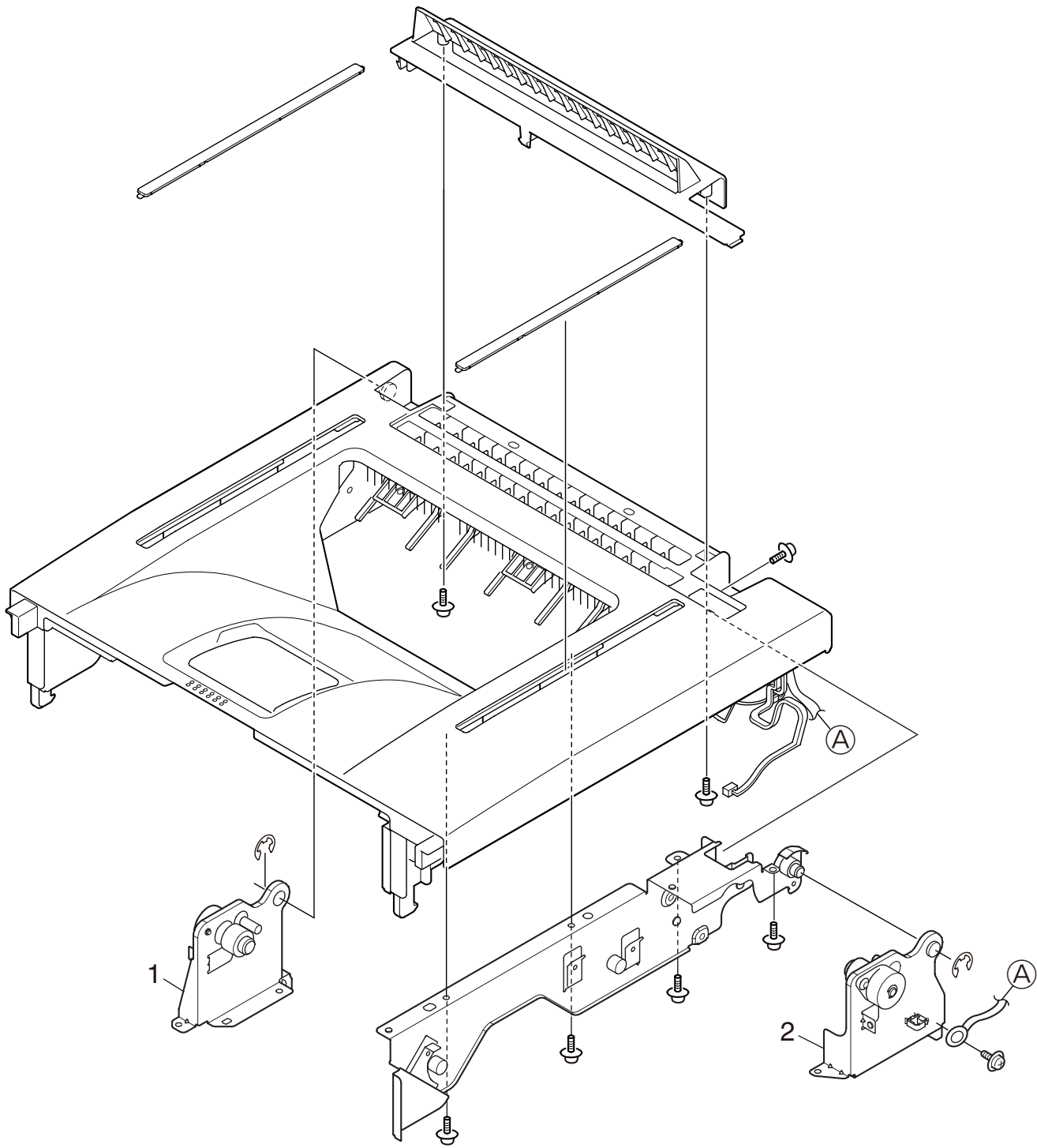
No.	Part No.	Part Name	Qty /Unit	Recommended Qty/Year			Remarks
				per 500	per 1000	per 2000	
1	45358701	CONN Cord-JST3P-SW	1	1	2	4	
2	45488201	Motor-Fan(60)	1	1	2	4	
3	45363001	Motor-DC-ID	1	1	2	4	

Cover-Assy-Front



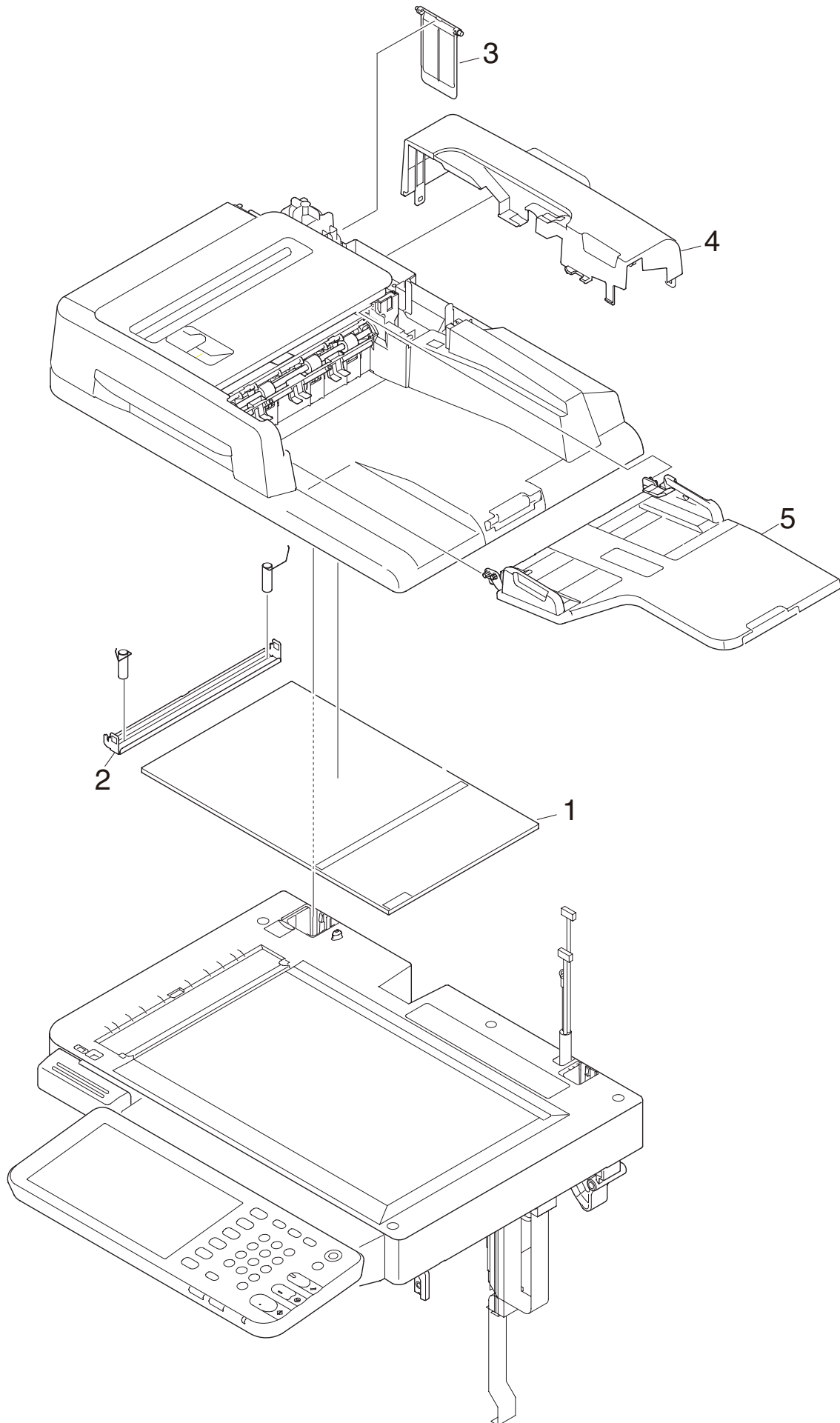
No.	Part No.	Part Name	Qty /Unit	Recommended Qty/Year			Remarks
				per 500	per 1000	per 2000	
1	44750301	Roller-Feed-NOW	1	1	2	4	
2	42699401	Roller-Pick-Up	1	1	2	4	
3	44732301	Roller Assy.-Retard	1	1	2	4	

Cover-Assy.-ST(Tall)



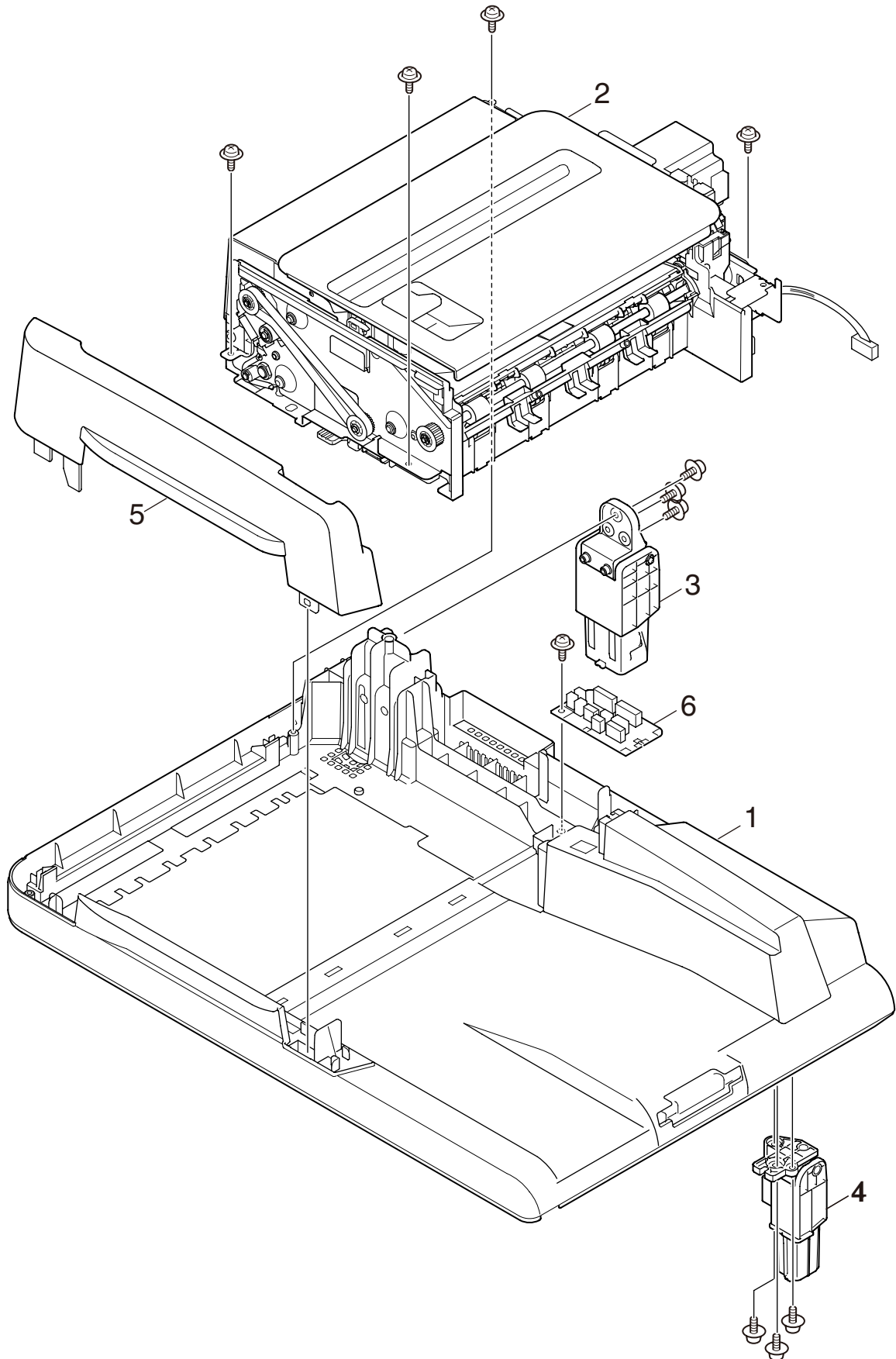
No.	Part No.	Part Name	Q'ty /Unit	Recommended Q'ty/Year			Remarks
				per 500	per 1000	per 2000	
1	45432601	Plate Assy.-Support(L)	1	1	2	4	
2	45434001	Plate Assy.-Support(R)	1	1	2	4	

Scanner-Unit



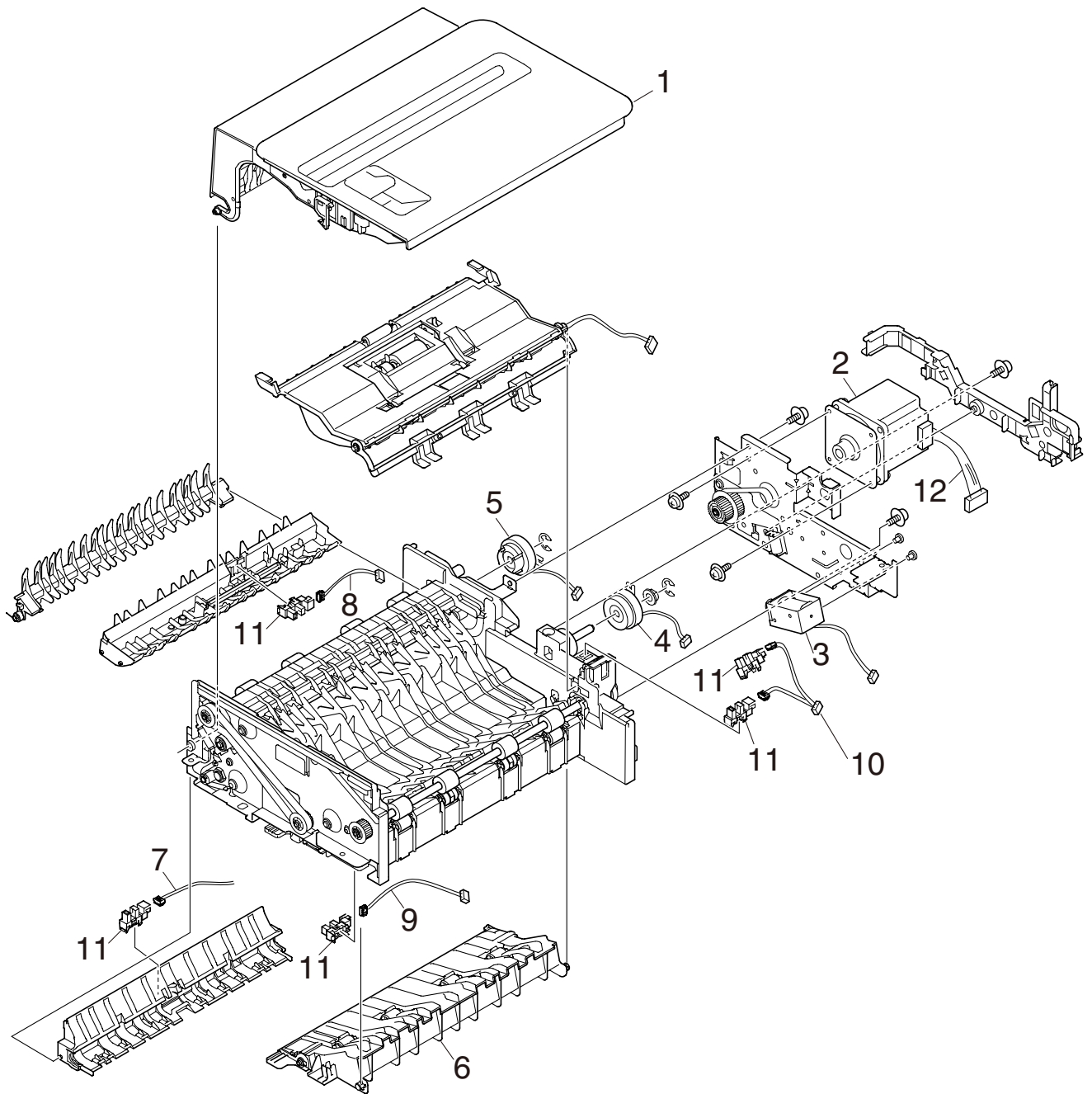
No.	Part No.	Part Name	Qty /Unit	Recommended Qty/Year			Remarks
				per 500	per 1000	per 2000	
1		Sheet-Document	1	1	2	4	
2		Paper-Holder	1	1	2	4	
3		Cover-Flap	1	1	2	4	
4		Cover-ADF(Rear)	1	1	2	4	
5		Tray-Assy-Document	1	1	2	4	

ADF-Unit



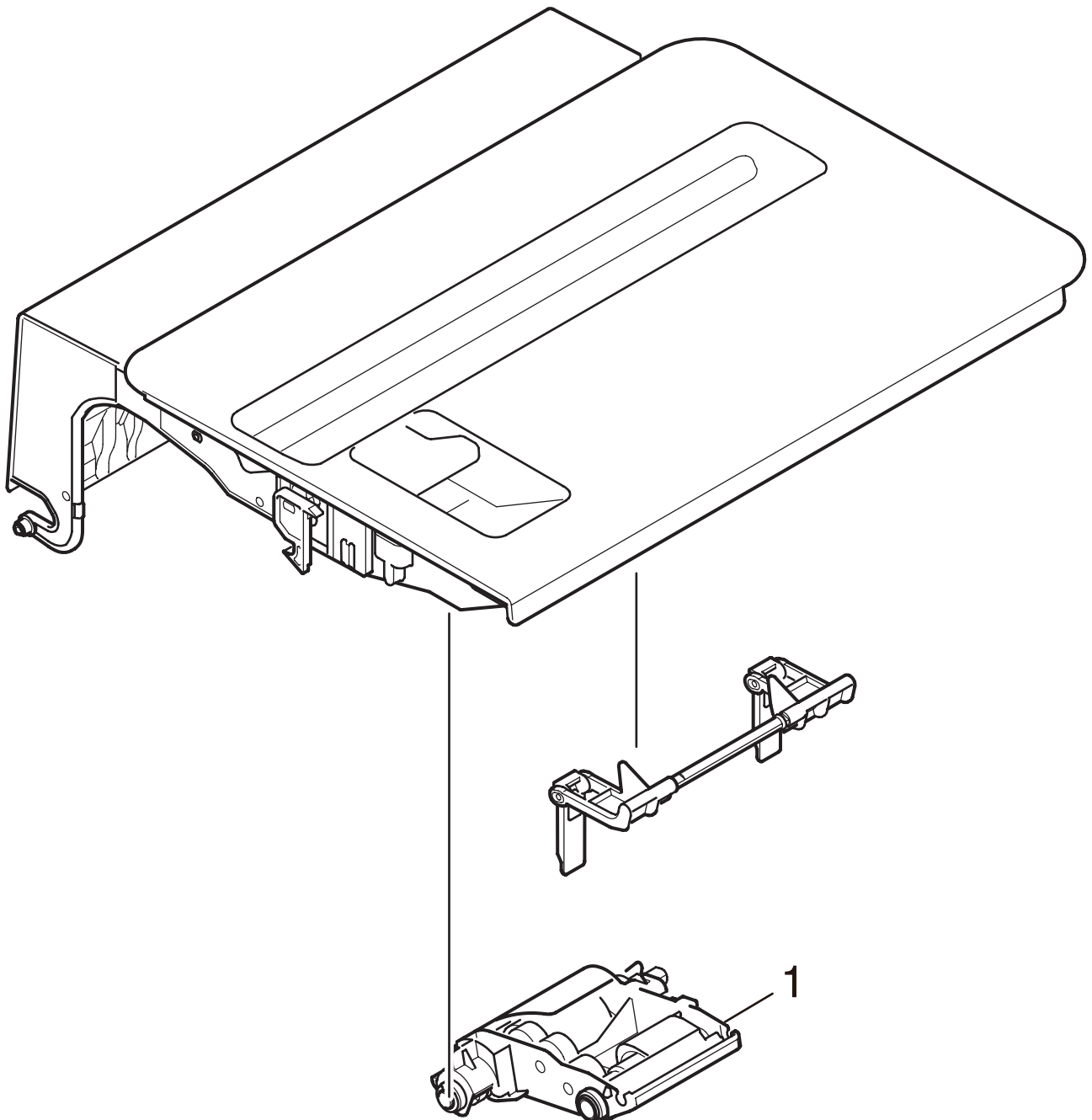
No.	Part No.	Part Name	Qty /Unit	Recommended Qty/Year			Remarks
				per 500	per 1000	per 2000	
1		Frame-Base(ADF)	1	1	2	4	
2	45059101	ADF-Assy	1	1	2	4	
3	45060901	Hinge-Assy.-(L)	1	1	2	4	
4	45061001	Hinge-Assy.-(R)	1	1	2	4	
5		Cover-ADF(Front)	1	1	2	4	
6	45169801	OR-Board-7RL	1	2	4	8	ADF Board

ADF-Assy



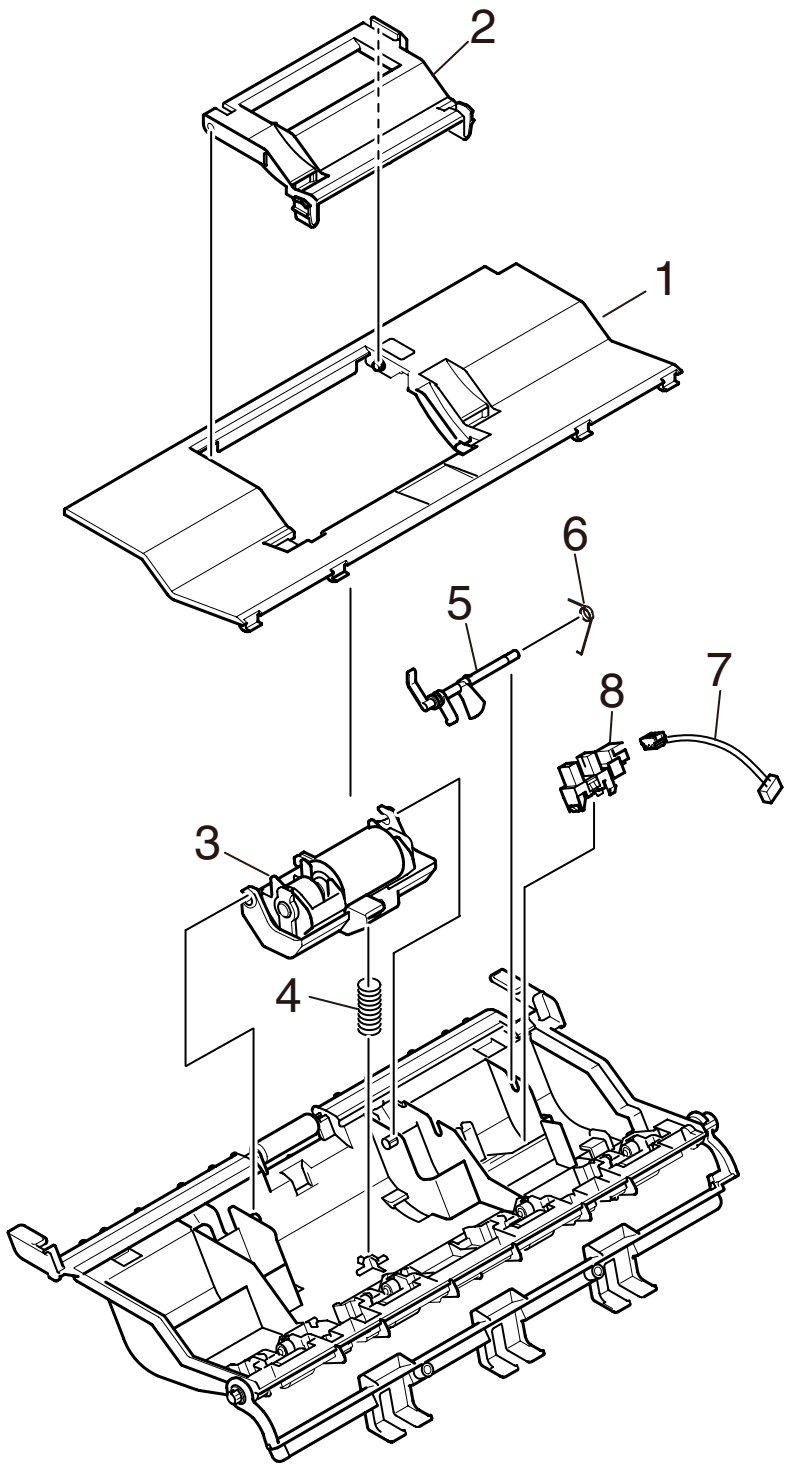
No.	Part No.	Part Name	Qty /Unit	Recommended Qty/Year			Remarks
				per 500	per 1000	per 2000	
1		Cover-Assy-Top-ADF	1	1	2	4	
2	45049401	Motor-ADF	1	1	2	4	ADF-Motor
3	42058303	Solenoid	1	1	2	4	ADF-Sol
4	44261406	Clutch-3.5	1	1	2	4	ADF-Hop-CL
5	44716101	Clutch-Hop-Op	1	1	2	4	ADF-Reg-CL
6		Guide-Assy-Exit-Lower	1	1	2	4	
7		CONN Cord-AMP3P-AMP3P	1	1	2	4	Set SNS
8		CONN Cord-AMP3P-JST3P	1	1	2	4	ADF-Rev SNS
9		CONN Cord-AMP3P-JST3P	1	1	2	4	ADF-Scan SNS
10		CONN Cord-AMP3P-AMP3P-AMP6P	1	1	2	4	Cover Open SNS
11	56128501	LG248BL1 6520414M0001	1	1	2	4	SNS
12		CONN Cord-JST6P-AMP4P	1	1	2	4	Motor-Cable

Cover-Assy-Top-ADF



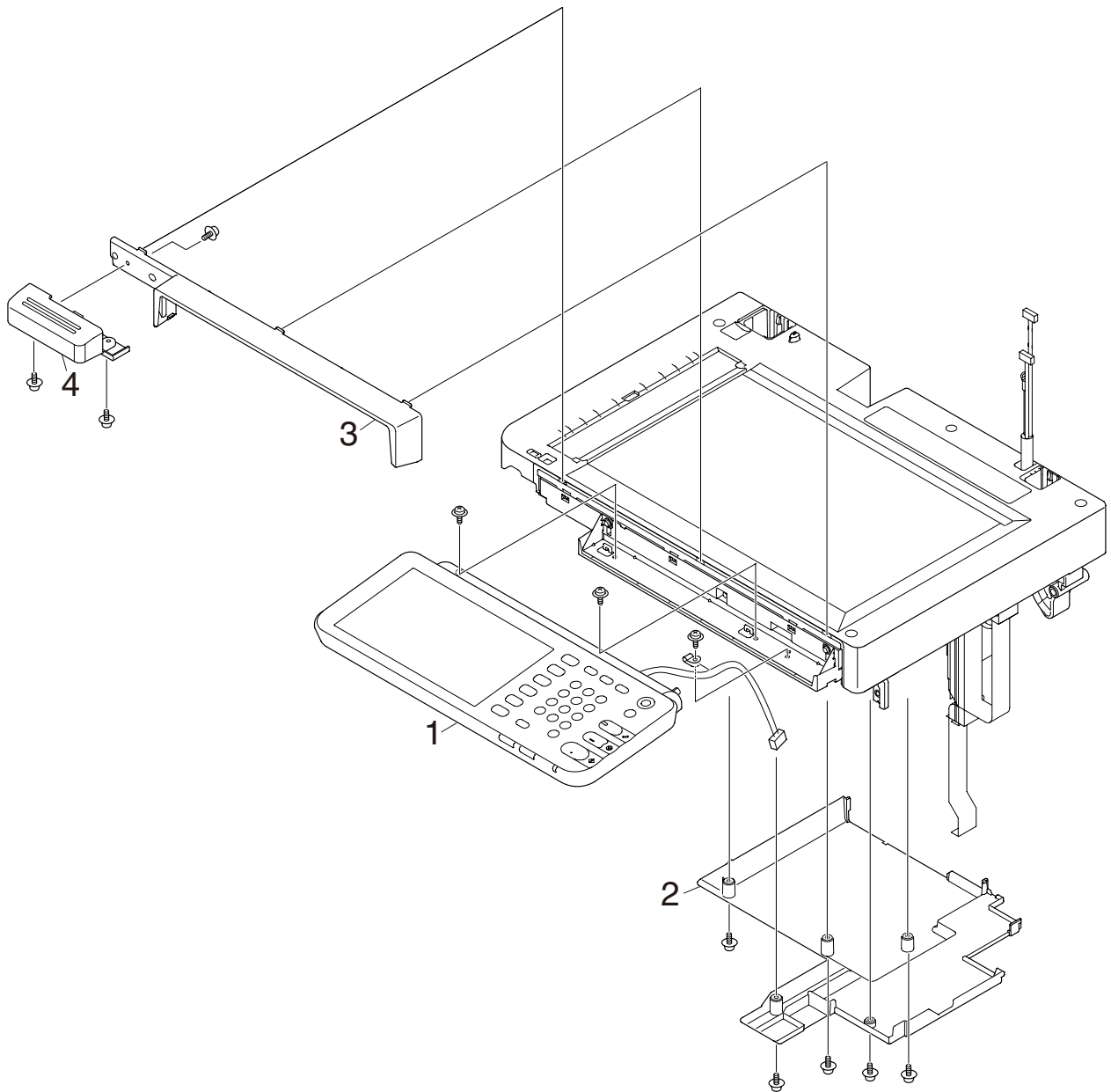
No.	Part No.	Part Name	Qty /Unit	Recommended Qty/Year			Remarks
				per 500	per 1000	per 2000	
1	45059801	Frame-Assy-Hopping-ADF	1	2	4	8	

Guide-Assy-Retard



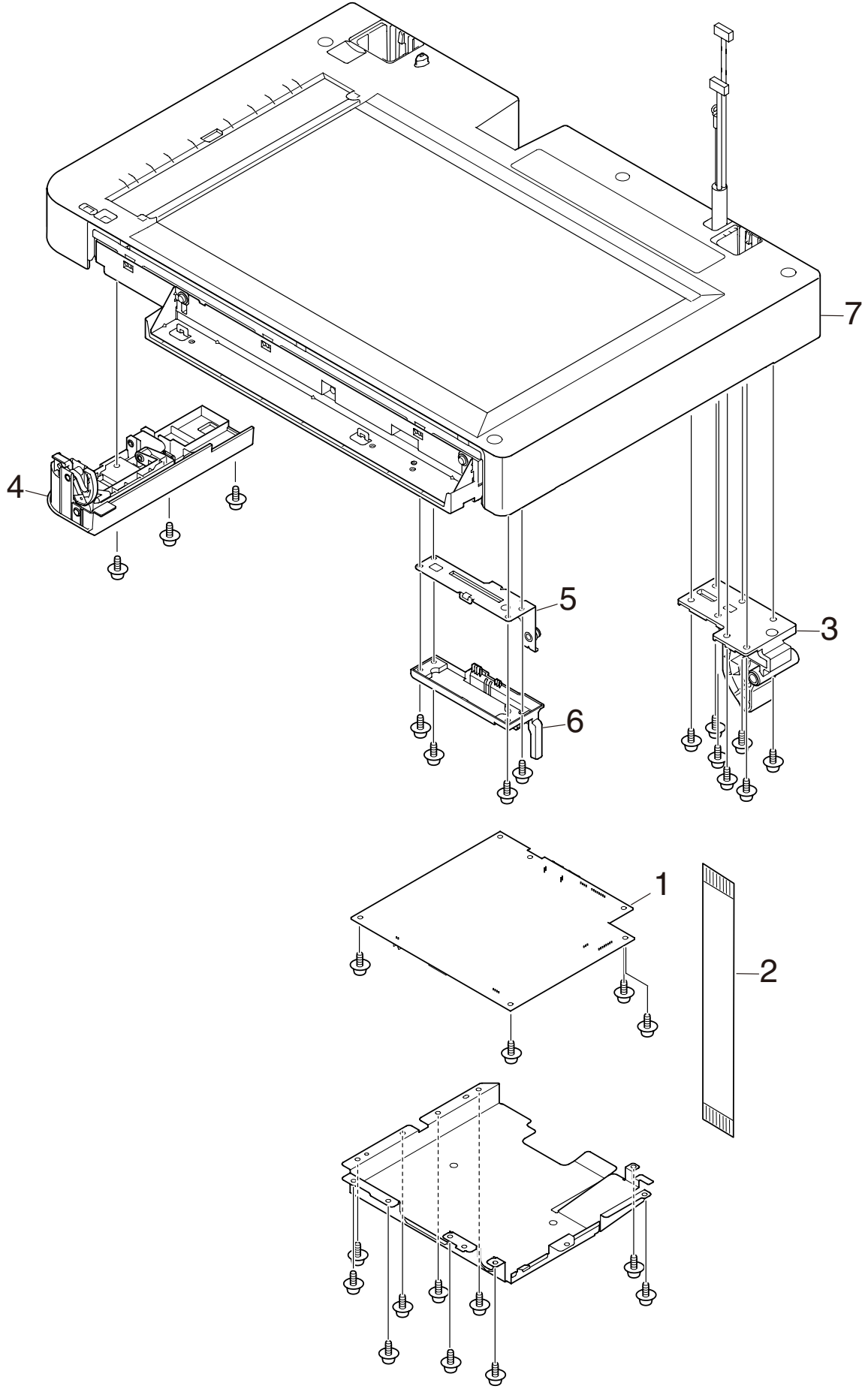
No.	Part No.	Part Name	Qty /Unit	Recommended Qty/Year			Remarks
				per 500	per 1000	per 2000	
1		Guide-Retard(Sub)	1	1	2	4	
2		Cover-Retard(ADF)	1	1	2	4	
3	45060101	Frame-Assy-Retard	1	2	4	8	
4		Spring-Retard	1	1	2	4	
5	45045801	Lever-Hopping	1	1	2	4	
6		Guide-Exit(Lower)	1	1	2	4	
7		CONN Cord-AMP3P-JST4P	1	1	2	4	ADF-Hop SNS
8	56128501	LG248BL1 6520414M0001	1	1	2	4	SNS

Flatbed-Unit



No.	Part No.	Part Name	Qty /Unit	Recommended Qty/Year			Remarks
				per 500	per 1000	per 2000	
1	45272001	Ope-panel-unit	1	1	2	4	
2		Cover-Bottom	1	1	2	4	
3		Cover-OP	1	1	2	4	
4		Handle-Scanner(S)	1	1	2	4	

Frame-Assy-FB



No.	Part No.	Part Name	Qty /Unit	Recommended Qty/Year			Remarks
				per 500	per 1000	per 2000	
1	45169401	OR-Board-7SU	1	2	4	8	
2		20706FWR1.0-24-520 2381112P0022 Connector	1	1	2	4	
3	45053601	Cam-Hinge(FB)	1	1	2	4	