

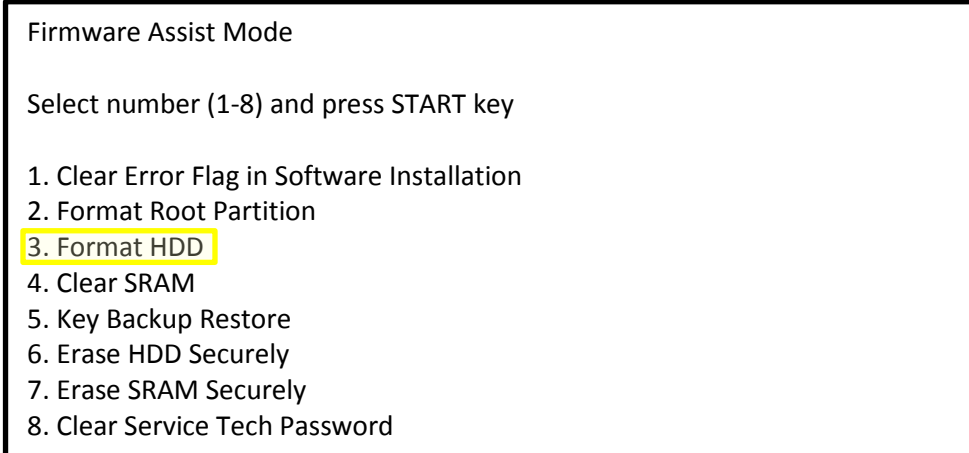
Formatting of Replaced HDD and Firmware Updating with USB Device (MB760/770 & MPS5502)

Formatting HDD Procedure:

When the HDD is replaced it is necessary to format a partition in the HDD before installing the firmware.

Note: Perform the HDD partition formatting only when a new HDD is being installed in the MFP since all data in a currently installed HDD will be erased by this operation.

(1) Turn ON the power while the **[3]** button and **[CLEAR]** button are pressed simultaneously. The following screen is displayed.



(2) Select item # 3 **[Format HDD]** with the digital keys and press the **[START]** button.

(3) Once formatting is complete follow the instruction and turn off the power to the MFP.

Now install the firmware using the firmware update procedure on the following pages.

Firmware Installation Procedure:

To update firmware, store update program and firmware data files in the USB device.

The update program is “signatures.sig”, and it needs to be stored in the USB device. It is necessary for updating firmware except that of the System firmware.

For the data file for each firmware, refer to the following tables.

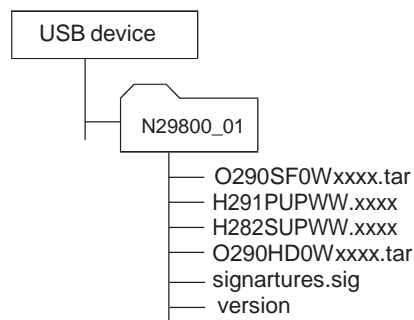
Firmware type and data file name for updating

Equipment

Firmware	Stored	Data file name	Display
System firmware	System control PC board (CU board)	O290SF0Wxxxx.tar * xxxx is version.	SYSTEM FIRMWARE (OS Data)
PU firmware	PU PC board	H291PUPWW.xxxx * xxxx is version.	ENGINE FIRMWARE
SU firmware	SU PC board	H282SUPWW.xxxx * xxxx is version.	SCANNER FIRMWARE
System software	HDD	O290HD0Wxxxx.tar * xxxx is version.	SYSTEM SOFTWARE (HD Data)

Store the data file for updating in the model specific folder. This configuration is an example. The number of files differs depending on the installed option.

Model specific folder name	MB = N29800_01
----------------------------	----------------



Notes:

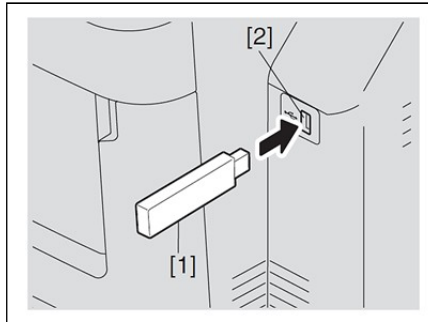
- Since the date and time set in the equipment are recorded in the firmware update log, make sure that they are correct before updating the firmware.
- It is mandatory to store the model specific update folder containing the firmware data files for updating directly in the root directory of the USB device.
- Never change the model specific folder name, since it is used by the currently installed firmware for identifying the data files required to perform a firmware update stored on the USB device.

Important:

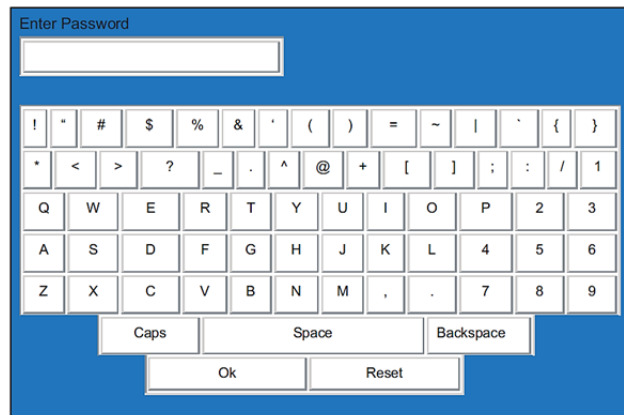
- Only the USB devices which meet the following conditions should be used for updating:
 - A USB device with a capacity of **2GB or more**.
 - The USB devices complying with USB2.0 can be used for updating.
 - Do not update the firmware by any storage device other than a USB flash memory device.
- The file system of the USB device should be formatted in the FAT or FAT32 format. USB devices formatted in NTFS format will not work. (The file system format of the USB device can be confirmed by checking properties in Windows Explorer.)
- **Never shut down the equipment during the update.** Firmware data and the following option data (if installed) could be damaged and may not operate properly.
 - Data Overwrite Enabler (GP-1070)
 - Meta Scan Enabler (GS-1010)
 - External Interface Enabler (GS-1020)
 - IPSec Enabler (GP-1080)
 - Unicode Font Enabler (GS-1007)

Update procedure

- (1) Connect the USB device to the PC and create the model specific folder in the root directory. Then store the firmware files in the model specific folder.
- (2) Connect the USB device [1] to the USB port [2] on the right upper cover.



- (3) Press the **[POWER]** button while simultaneously holding down the **[4]** and **[9]** buttons. Data in the USB device is checked and the status is displayed on the screen.
- (4) Enter the password, and then press the **[OK]** button. (If the password is not set for Service, press the **[OK]** button without entering anything.)



NOTE:
Screens may differ slightly

The screen for selecting items to be updated is displayed after approx. 3 minutes. On this screen, the current firmware version of this equipment and the firmware version of data to be updated are displayed.

Firmware Version on USB	<p>Firmware Update Mode</p> <p style="text-align: right;">System Firmware Version : xxxx(x.x.x.x) Update Mode : USB Update</p> <p>Select Firmwares</p> <ul style="list-style-type: none"> 1. SYSTEM FIRMWARE (OS Data) 2. ENGINE FIRMWARE <ul style="list-style-type: none"> * PU LOADER FIRMWARE * PU FIRMWARE * OPTION TRAY FIRMWARE * LCF FIRMWARE * FINISHER FIRMWARE * DUPLEX FIRMWARE 3. SCANNER FIRMWARE <ul style="list-style-type: none"> * SU LOADER FIRMWARE * SU RECOVERY FIRMWARE * SU FIRMWARE 4. SYSTEM SOFTWARE (HD Data) <ul style="list-style-type: none"> * FILE SYSTEM SOFTWARE * APPLICATION SOFTWARE 	Currently Installed Firmware Version				
	<table style="width: 100%; border-collapse: collapse;"> <tr> <td style="width: 50%; border: 1px solid blue; padding: 5px;">Updater Version xxxxxxxxxxxx xxxxxxxxxxxx</td> <td style="width: 50%; border: 1px solid red; padding: 5px;">Installed Version xxxxxxxxxxxx xxxxxxxxxxxx</td> </tr> <tr> <td style="text-align: center; padding: 5px;">xxxxxxxxxxxx</td> <td style="text-align: center; padding: 5px;">xxxxxxxxxxxx</td> </tr> </table>	Updater Version xxxxxxxxxxxx xxxxxxxxxxxx	Installed Version xxxxxxxxxxxx xxxxxxxxxxxx	xxxxxxxxxxxx	xxxxxxxxxxxx	
Updater Version xxxxxxxxxxxx xxxxxxxxxxxx	Installed Version xxxxxxxxxxxx xxxxxxxxxxxx					
xxxxxxxxxxxx	xxxxxxxxxxxx					

- (6) Select the item with the number keys.
An "*" is displayed next to the selected item. Display or delete the "*" by pressing the number of the item.

Item	Remarks
1. SYSTEM FIRMWARE(OS Data)	Updating System firmware
2. ENGINE FIRMWARE	Updating PU firmware
3. SCANNER FIRMWARE	Updating SU firmware
4. SYSTEM SOFTWARE (HD Data)	Updating System software

- (7) Press the [START] button.
Updating starts and the processing status is displayed on the LCD screen.

Status display during update	Status display when update is completed
SYSTEM FIRMWARE(OS Data) update in progress	SYSTEM FIRMWARE(OS Data) Completed
ENGINE FIRMWARE update in progress	ENGINE FIRMWARE Completed
SCANNER FIRMWARE update in progress	SCANNER FIRMWARE Completed
SYSTEM SOFTWARE (HD Data) update in progress	SYSTEM SOFTWARE (HD Data) Completed

- (8) "Update successfully completed Restart the MFP" is displayed at the bottom of the LCD screen after the updating is completed properly.

Firmware Update Mode	System Firmware Version : xxx(x.x.x.x)
	Update Mode : USB Update
Updata Status	
* 1. SYSTEM FIRMWARE (OS Data)	Completed
* 2. ENGINE FIRMWARE	Completed
* PU LOADER FIRMWARE	Completed
* PU FIRMWARE	Completed
* OPTION TRAY FIRMWARE	Completed
* LCF FIRMWARE	Completed
* FINISHER FIRMWARE	Completed
* DUPLEX FIRMWARE	Completed
* 3. SCANNER FIRMWARE	Completed
* SU LOADER FIRMWARE	Completed
* SU RECOVERY FIRMWARE	Completed
* SU FIRMWARE	Completed
* 4. SYSTEM SOFTWARE (HD Data)	Completed
* FILE SYSTEM SOFTWARE	Completed
* APPLICATION SOFTWARE	Completed
<div style="border: 2px solid yellow; border-radius: 15px; padding: 5px; display: inline-block;"> Update successfully completed Restart the MFP </div>	

(9) Press the [POWER] button to shut down the equipment, and then remove the USB device.

(10) Perform the initialization of the updating data.

- Press the [POWER] button while simultaneously holding down the [0] and [8] buttons.
- Key in “9030”, and then press the [START] button.
- Press the [INITIALIZE] button.

DO NOT SKIP STEP 10

Confirmation of the firmware update:

After the firmware update is completed, check each firmware version in the Setting Mode (08) to confirm that the firmware was overwritten properly.

Firmware	Code	Remarks
Updating System firmware	08-9930	System firmware version
Updating PU firmware	08-9901	PU firmware version
Updating SU firmware	08-9902	SU firmware version
Updating System software	08-8952	HD data external version
	08-9900	System software version
Updating Finisher firmware	08-9904	Finisher firmware version
Updating FAX firmware	08-9905	FAX firmware version

This completes the firmware update process. If you have any questions or concerns please check the OKI DOCs in the Oki Knowledge Base or call the Dealer Hot Line for help.