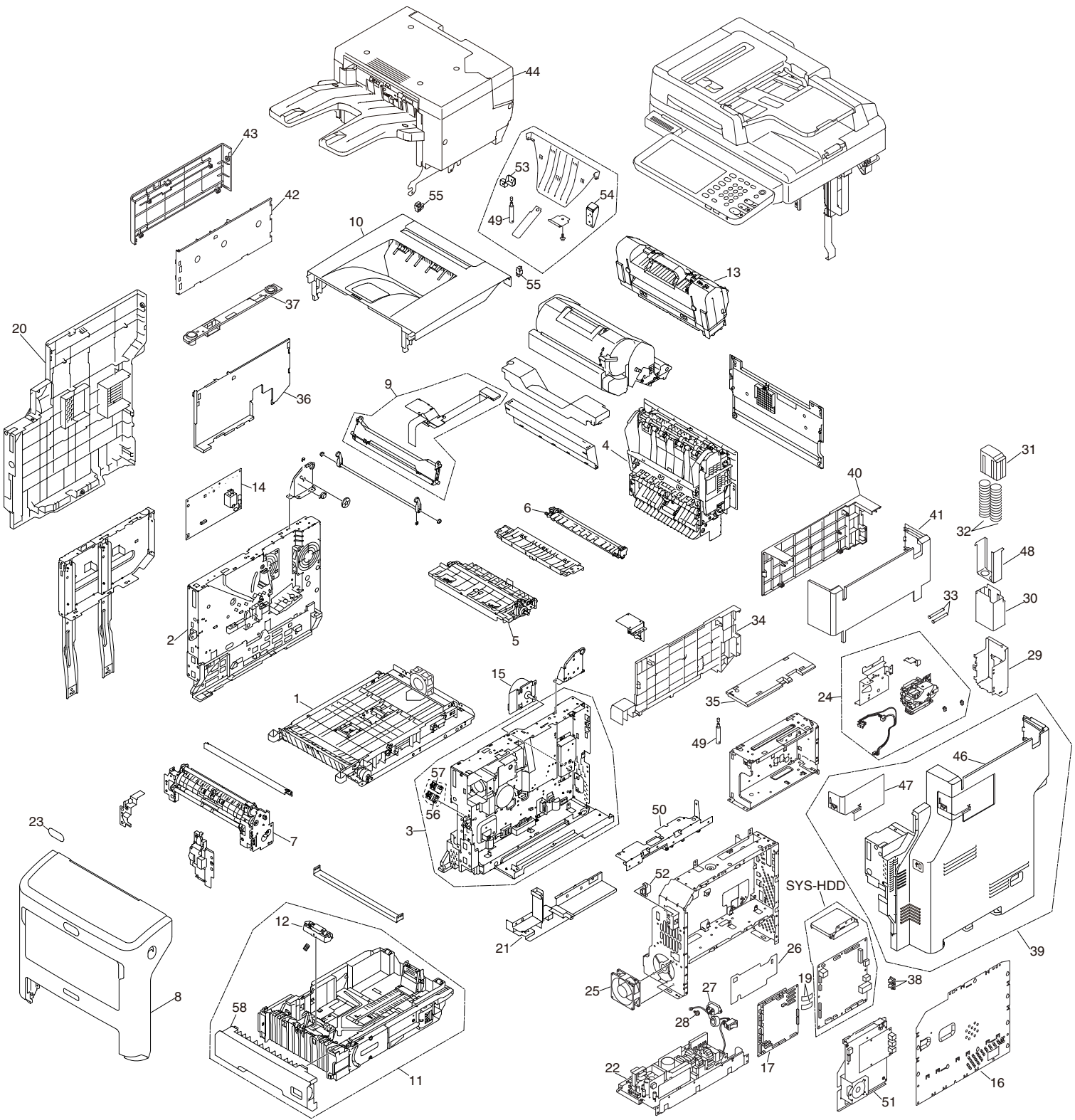


**MB760 / MB760+  
MB770 / MB770+  
MPS5502 / MPS5502+  
Illustrated Spare  
Parts Manual**

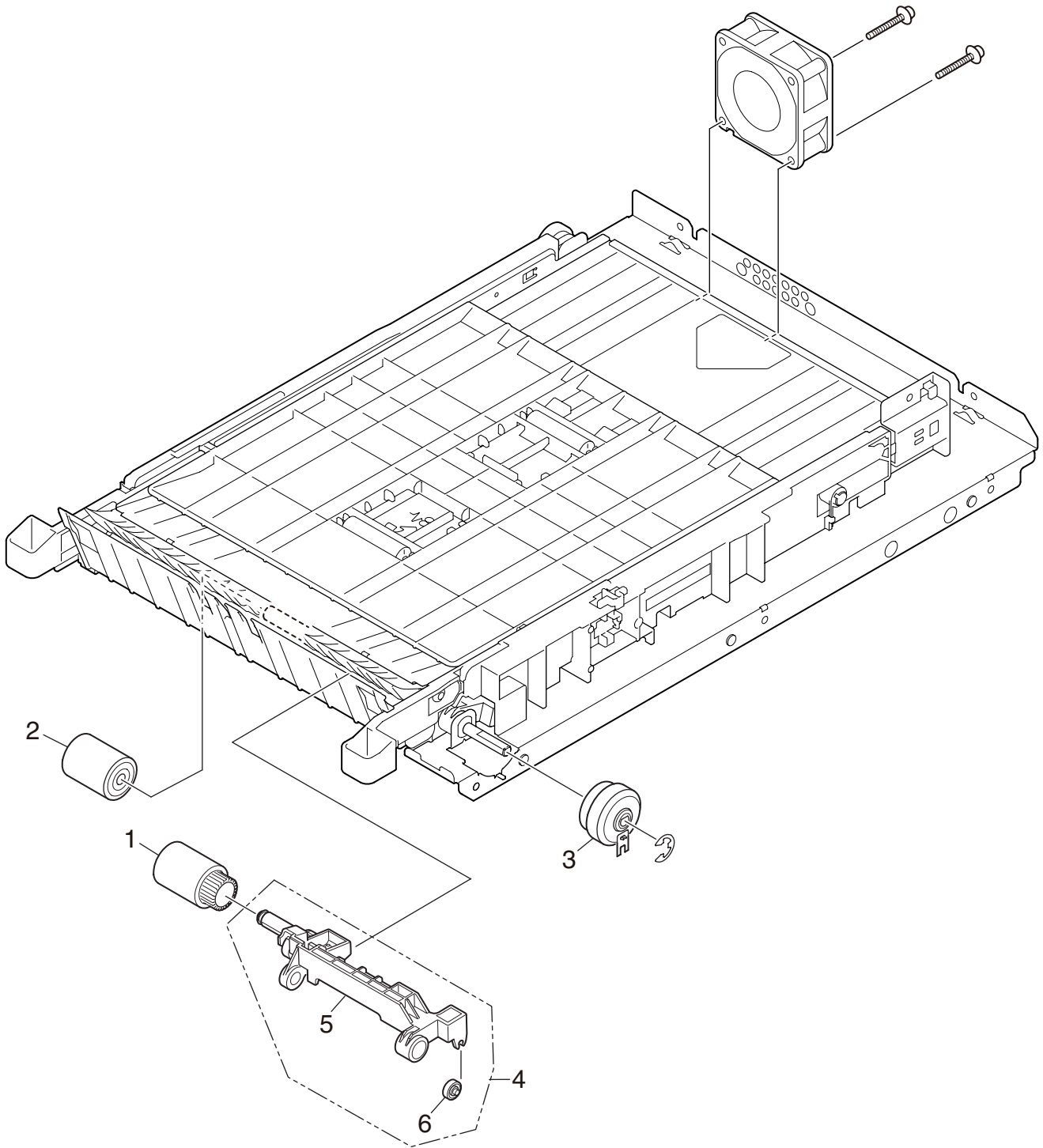
# MFP-NIP



Unit Name	No.	Part No.	Part Name	Q'ty /Unit	Remarks
MFP-NIP	1	45372802	Plate-Assy-Base(FN)	1	
MFP-NIP	2	45373402	Plate-Assy-Side(L-FN)	1	
MFP-NIP	3	45373502	Plate-Assy-Side(R-FN)	1	
MFP-NIP	4-a	45375102	Eject-Assy(FN-T)	1	Tall Model
MFP-NIP	4-b	45375103	Eject-Assy	1	Short Model
MFP-NIP	5	45379002	TR-Assy-Front(FN)	1	
MFP-NIP	6	45379101	TR-Assy-Middle	1	
MFP-NIP	6	45379101	TR-Assy-Middle	1	
MFP-NIP	7	45377801	Feeder-Assy-Regist	1	
MFP-NIP	8	45376502	Cover-Assy-Front(FN)	1	
MFP-NIP	9	45378402	Holder-Assy-Head(FN)	1	
MFP-NIP	10-a		Cover-Assy-Stacker(FN)	1	Short Model
MFP-NIP	10-b		Cover Assy.-ST(Tall)	1	Tall Model
MFP-NIP	11	45373001	Cassette-Assy	1	
MFP-NIP	12	43895001	Frame-Assy-Retard	1	
MFP-NIP	13-a	45379304	Fuser-Assy-PN298_Spare(120V)	1	110-127V
MFP-NIP	13-b	45379305	Fuser-Assy-PN298_Spare(230V)	1	220-240V
MFP-NIP	14	45098901	OR-Board-99H	1	High Voltage
MFP-NIP	15	45371201	Motor-DC(F)	1	
MFP-NIP	16		Plate-Shield(Board)	1	
MFP-NIP	17-a	45296201	Board-Maintenance_MFP_8PU_L_IT-ODA	1	MB760 IT-ODA_47ppm
MFP-NIP	17-b	45296202	Board-Maintenance_MFP_8PU_H_IT-ODA	1	MB770 IT-ODA_52ppm
MFP-NIP	17-e	45296205	Board-Maintenance_MFP_8PU_H_OA	1	MPS5502 OA-ODA
MFP-NIP	18	45554902	Board-St_Helens_SRAM	1	Board SRAM
MFP-NIP	18	45554903	Board-St_Helens_DIMM	1	Board DIMM
MFP-NIP	18	45729533	MQ01ABU032W	1	HDD
MFP-NIP	18		Board-St_Helens_HDD_Cable	1	HDD Cable
MFP-NIP	18	45554906	Board-St_CU(Mono)	1	Board CU
MFP-NIP	19		FFC34-50-0.5-003AU	1	
MFP-NIP	20		Cover-Side(L)	1	
MFP-NIP	21		Guide-Cable(POW)	1	
MFP-NIP	22	45271601	Power-Assy-FX757	1	Power Unit (LOW Voltage)
MFP-NIP	23		Plate-Logo	1	
MFP-NIP	24	45393501	Stapler_Unit	1	
MFP-NIP	25	45163401	Motor-Fan(80)	1	Power FAN
MFP-NIP	26		Film-Board(Guard)	1	
MFP-NIP	27		CONN Cord-JST3P-INLET(FX757)	1	AC Inlet
MFP-NIP	28		Screw-PLWB4	1	AC Inlet Screw
MFP-NIP	29	45037501	Plate-Hinge(FB)	1	
MFP-NIP	30	45037601	Sleeve-Hinge(FB)	1	
MFP-NIP	31	45037701	Slider-Hinge(FB)	1	
MFP-NIP	32	45037801	Spring-Hinge(FB)	2	
MFP-NIP	33	45038201	Shaft-Guide(Hinge)	2	
MFP-NIP	34		Cover-Side(R-inner)	1	
MFP-NIP	35		Cover-Side-(R-Top)	1	
MFP-NIP	36		Cover-Side(L-Inner)	1	
MFP-NIP	37		Cover-Side(L-Top)	1	
MFP-NIP	38		Cover-Connector-FAX	1	
MFP-NIP	39		Cover Assy.-Side(R)	1	without Stapler Model
MFP-NIP	40		Cover-Side(R-Inner-EX)	1	
MFP-NIP	41		Cover-Side(R-EX)	1	
MFP-NIP	42		Cover-Side(L-Inner-EX)	1	
MFP-NIP	43		Cover-Side(L-EX)	1	
MFP-NIP	44		Finisher Unit	1	See Illustrated Parts for Finisher
MFP-NIP	45	45572001	Finisher-Damper-Kit(FN)	1	with Film-Guide
MFP-NIP	46		Cover-Side(R)	1	
MFP-NIP	47		Cover-Stapler	1	
MFP-NIP	48		Film-Slider(FB)	1	

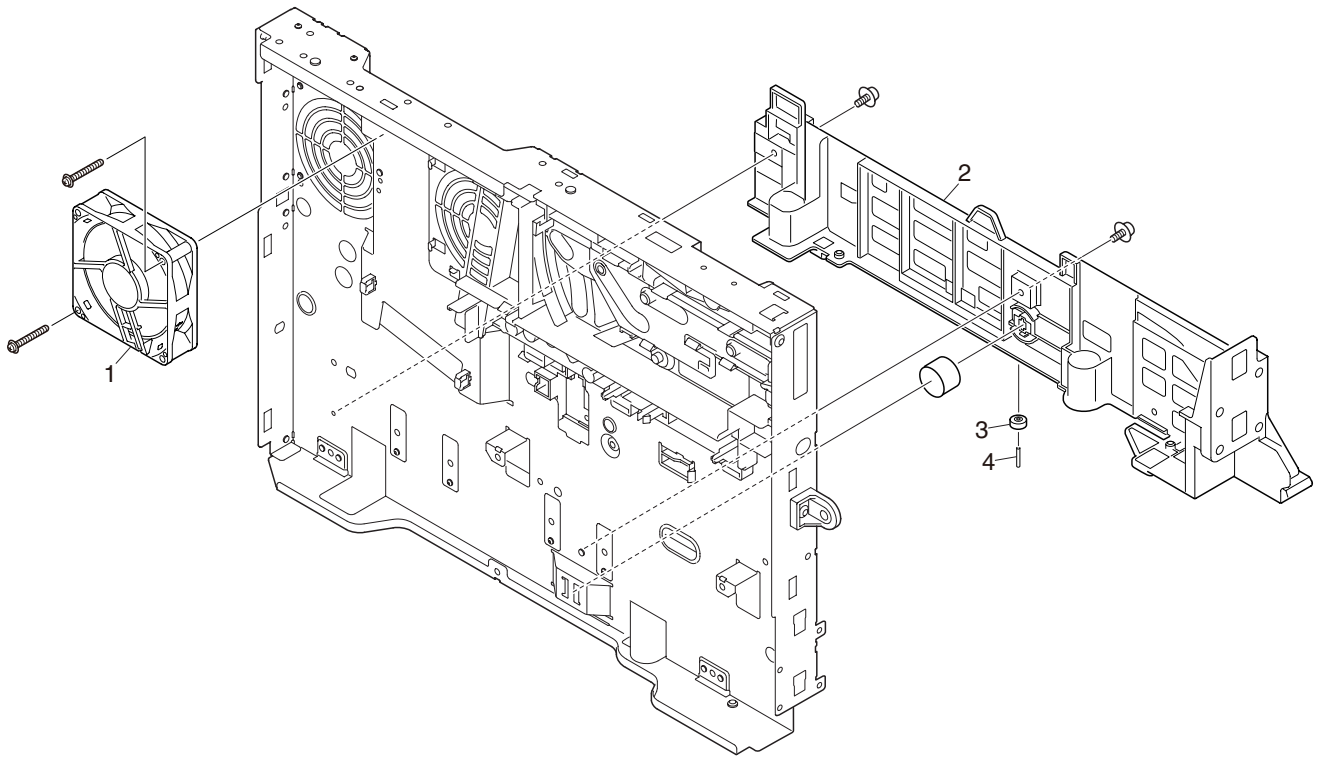
MFP-NIP	49	45484501	Soft-Absorber	1	
MFP-NIP	50		Plate-Support(Stay)	1	
MFP-NIP	51-a	45036921	FAX Unit(US,CA)	1	
MFP-NIP	52		CONN Cord-USB(FX757)	1	
MFP-NIP	53	45651101	Stopper Assy.-Bracket(A)	1	
MFP-NIP	54	45643001	Stopper-Assy.-Bracket(B)	1	
MFP-NIP	55	45638901	Stopper-Rack	2	
MFP-NIP	56	45397001	OR-Board Assy. 99G (Toner Contact)	1	See Next Page for Illustration
MFP-NIP	57	45397002	OR-Board Assy. 99G-2 (Drum Contact)	1	See Next Page for Illustration
MFP-NIP	58		Cover-Cassette_298	1	

# Plate-Assy-Base



Unit Name	No.	Part No.	Part Name	Q'ty /Unit	Remarks
Plate-Assy-Base	1	42699401	Roller-Pick-Up	1	
Plate-Assy-Base	2	43000601	Roller-Feed-NOW	1	
Plate-Assy-Base	3	45366001	Clutch	1	
Plate-Assy-Base	4	45372901	Frame Assy.-Pickup	1	
Plate-Assy-Base	5	45352001	Frame-Pickup	1	
Plate-Assy-Base	6	43177101	Roller-Follower	1	

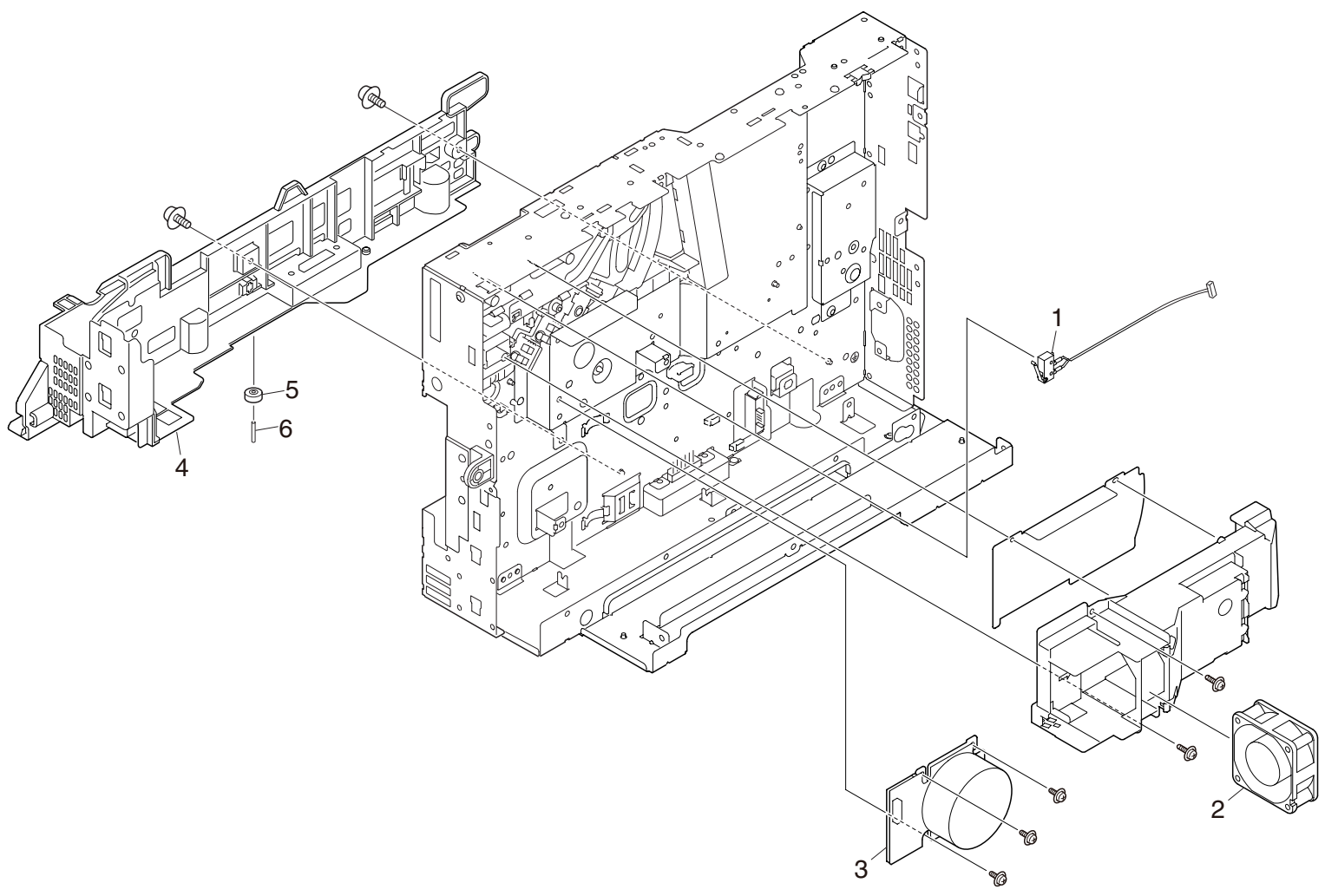
### Plate-Assy-Side(L)



Unit Name	No.	Part No.	Part Name	Q'ty /Unit	Remarks
Plate-Assy-Side(L)	1		U80T24MUA7-53J10	1	
Plate-Assy-Side(L)	2	45378901	Guide-Assy-Cassette(L)	1	
Plate-Assy-Side(L)	3	44724201	Roller-Lock	1	
Plate-Assy-Side(L)	4	50606214	Pin	1	

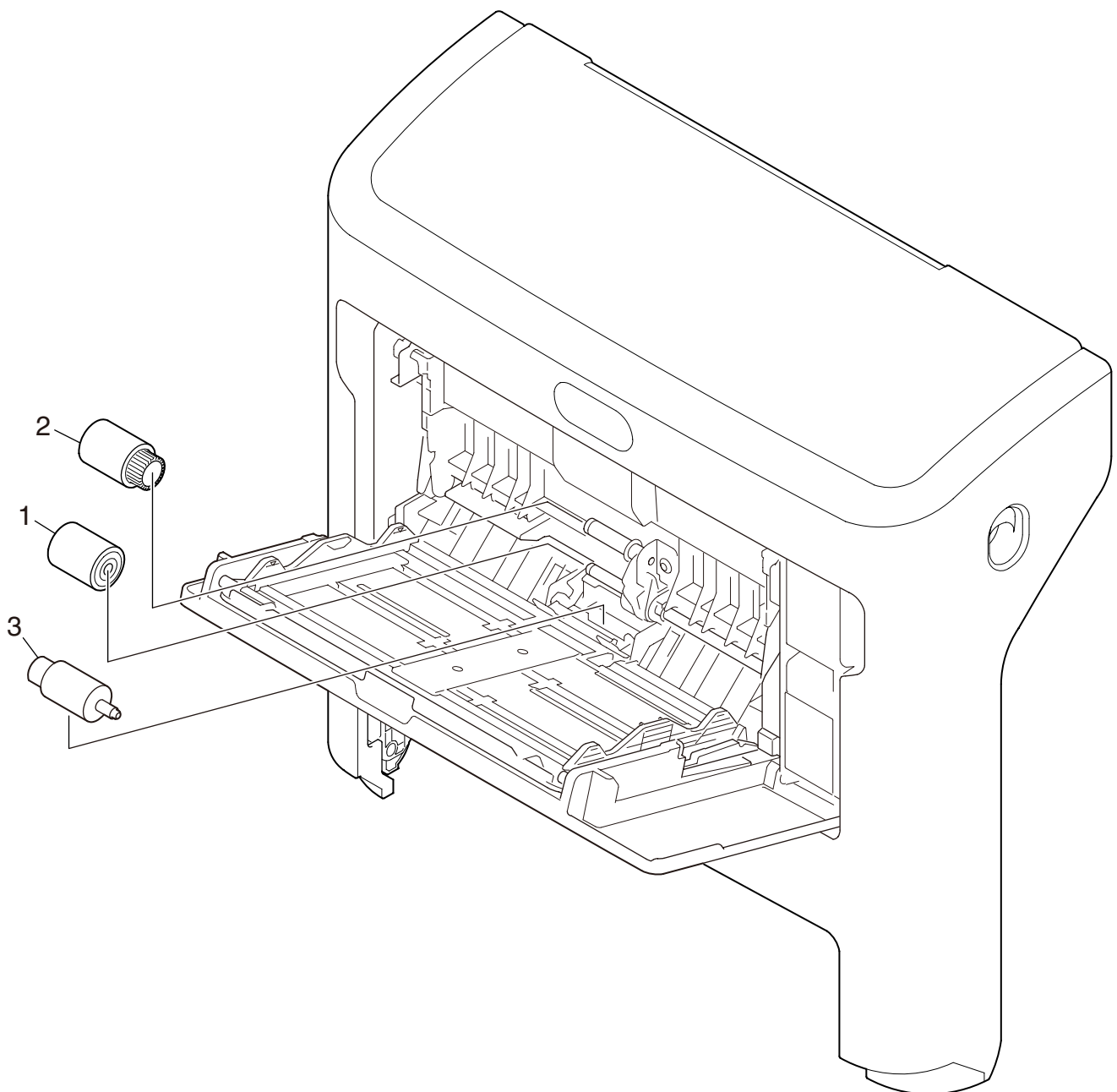


### Plate-Assy-Side(R)



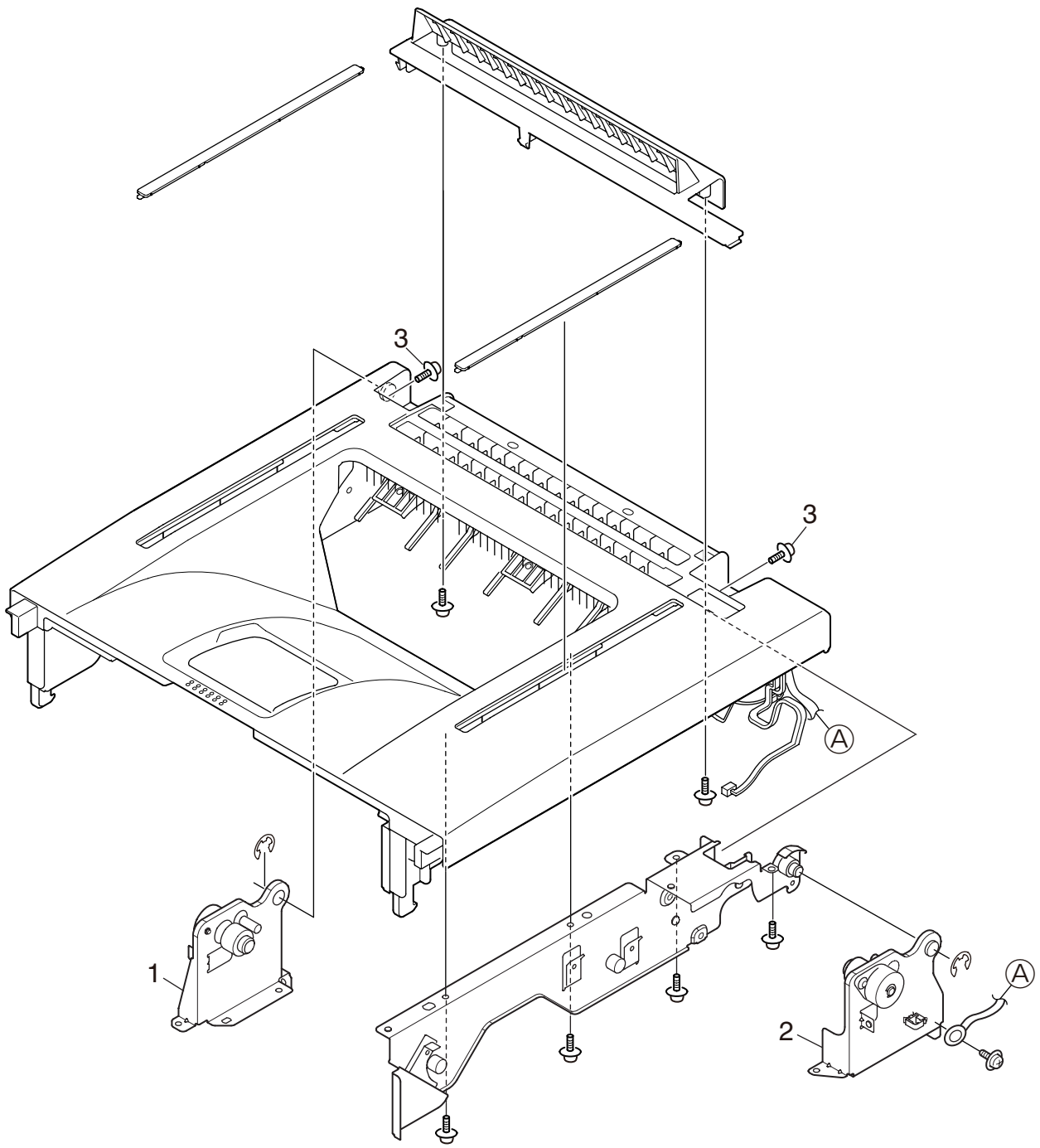
Unit Name	No.	Part No.	Part Name	Q'ty /Unit	Remarks
Plate-Assy-Side(R)	1	45358701	CONN Cord-JST3P-SW	1	
Plate-Assy-Side(R)	2	45488201	Motor-Fan(60)	1	
Plate-Assy-Side(R)	3	45363001	Motor-DC-ID	1	
Plate-Assy-Side(R)	4	45374801	Guide-Assy-Cassette(R)	1	
Plate-Assy-Side(R)	5	44724201	Roller-Lock	1	
Plate-Assy-Side(R)	6	50606214	Pin	1	

### Cover-Assy-Front



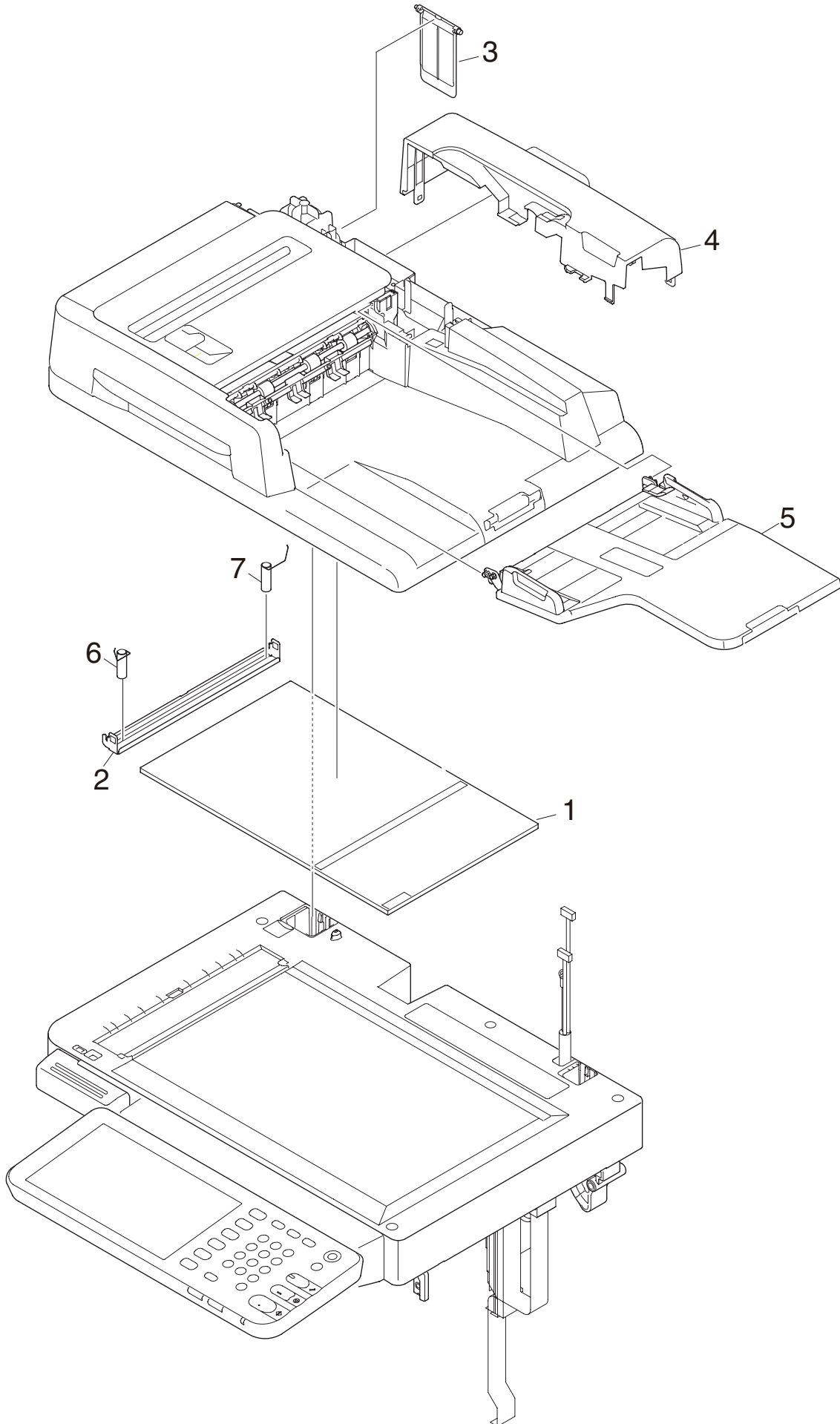
Unit Name	No.	Part No.	Part Name	Q'ty /Unit	Remarks
Cover-Assy-Front	1	44750301	Roller-Feed-NOW	1	
Cover-Assy-Front	2	42699401	Roller-Pick-Up	1	
Cover-Assy-Front	3	44732301	Roller Assy.-Retard	1	

### Cover-Assy.-ST(Tall)



Unit Name	No.	Part No.	Part Name	Q'ty/Unit	Remarks
Cover-Assy.-ST(Tall)	1	45432601	Plate Assy.-Support(L)	1	
Cover-Assy.-ST(Tall)	2	45434001	Plate Assy.-Support(R)	1	
Cover-Assy.-ST(Tall)	3		Cup_Screw A	2	

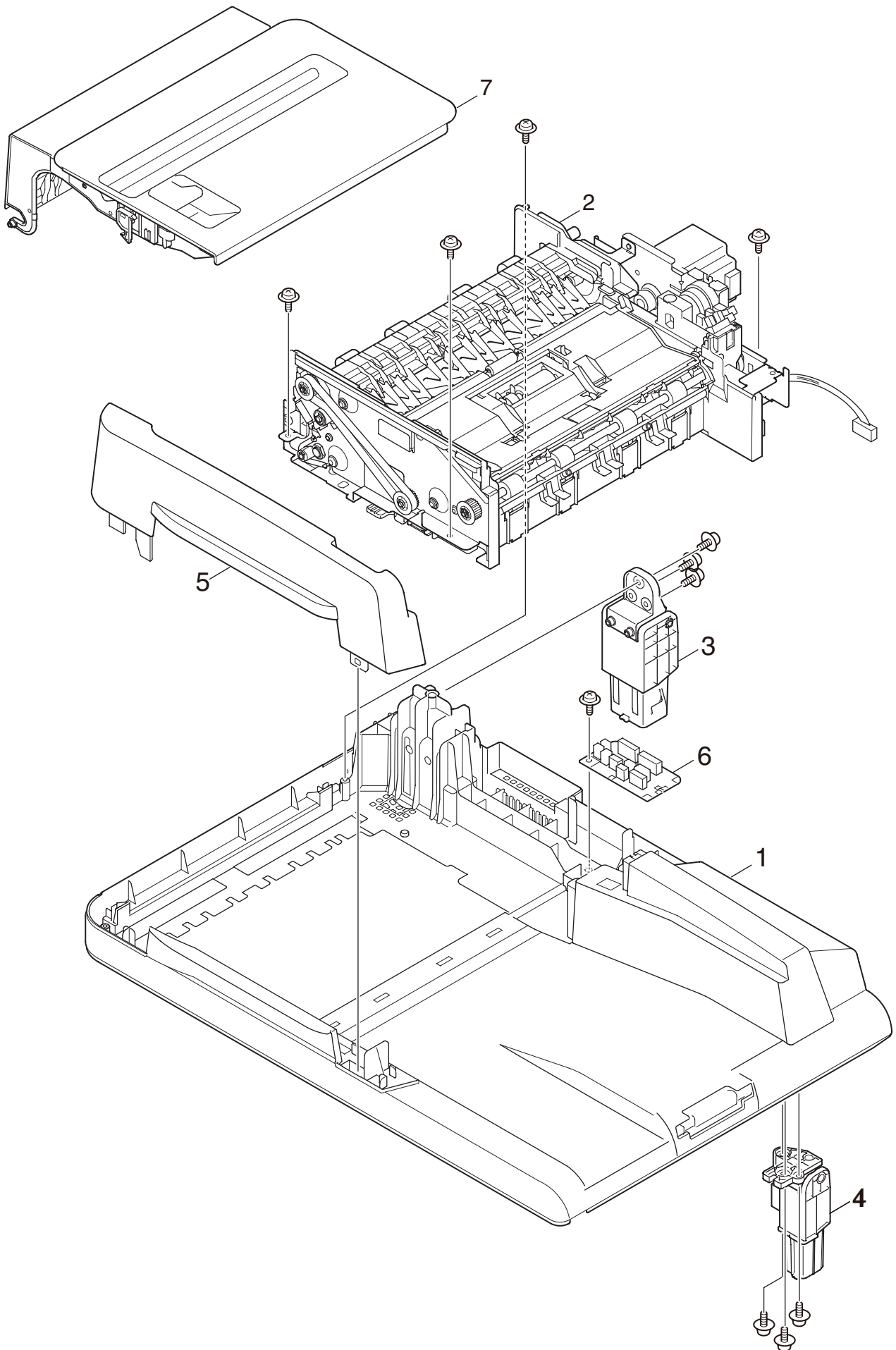
# Scanner-Unit



Unit Name	No.	Part No.	Part Name	Q'ty /Unit	Remarks
Scanner-Unit	1	45055001	Sheet-Document	1	
Scanner-Unit	2	45489401	Plate Assy.-(P.H)	1	
Scanner-Unit	3	44540201	Cover-Flap	1	
Scanner-Unit	4	45055401	Cover-ADF(Rear)	1	
Scanner-Unit	5	45062501	Tray-Assy-Document	1	
Scanner-Unit	6	45055101	Spring-PH(F)	1	
Scanner-Unit	7	45055201	Spring-PH(R)	1	

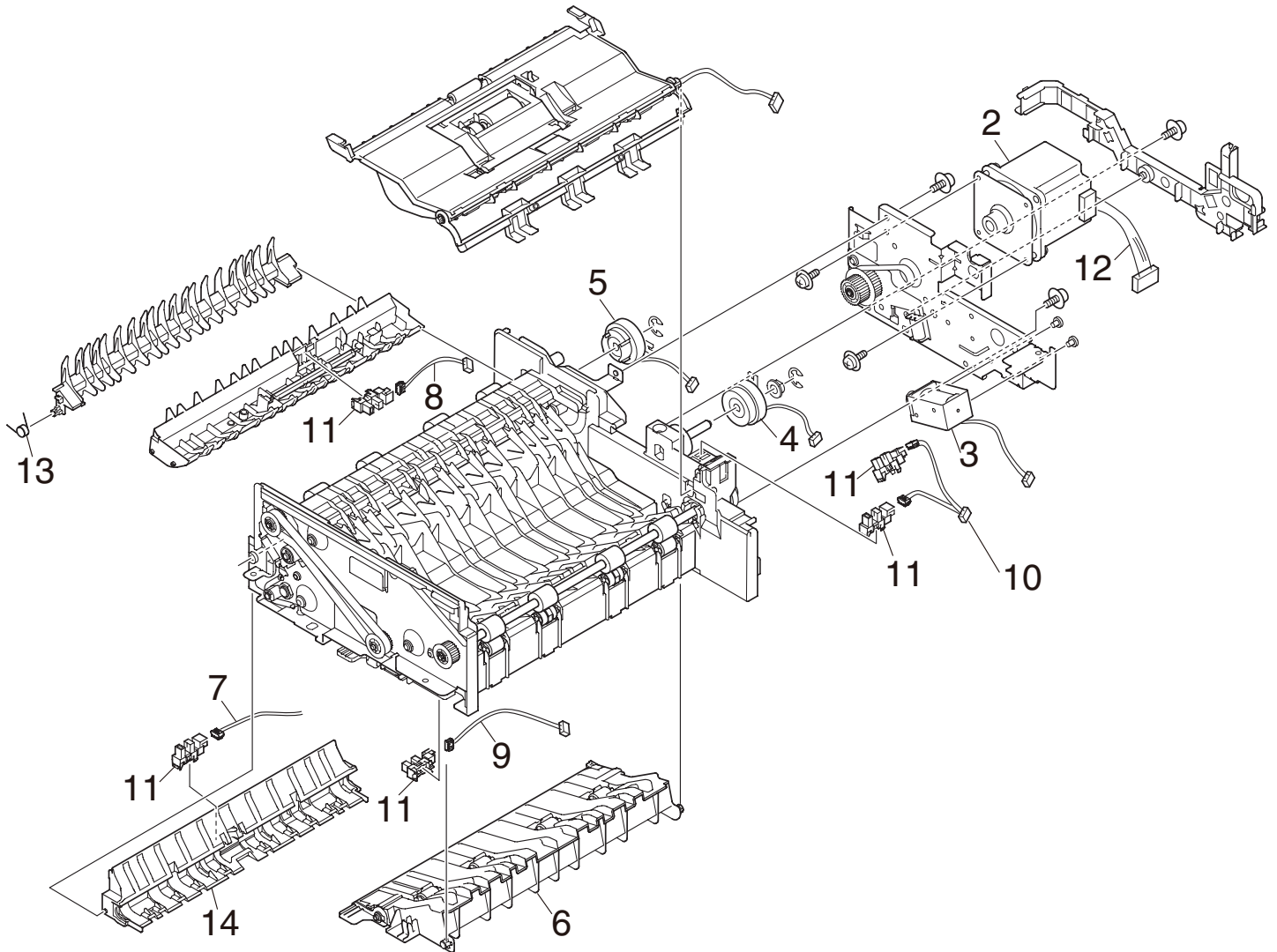


# ADF-Unit



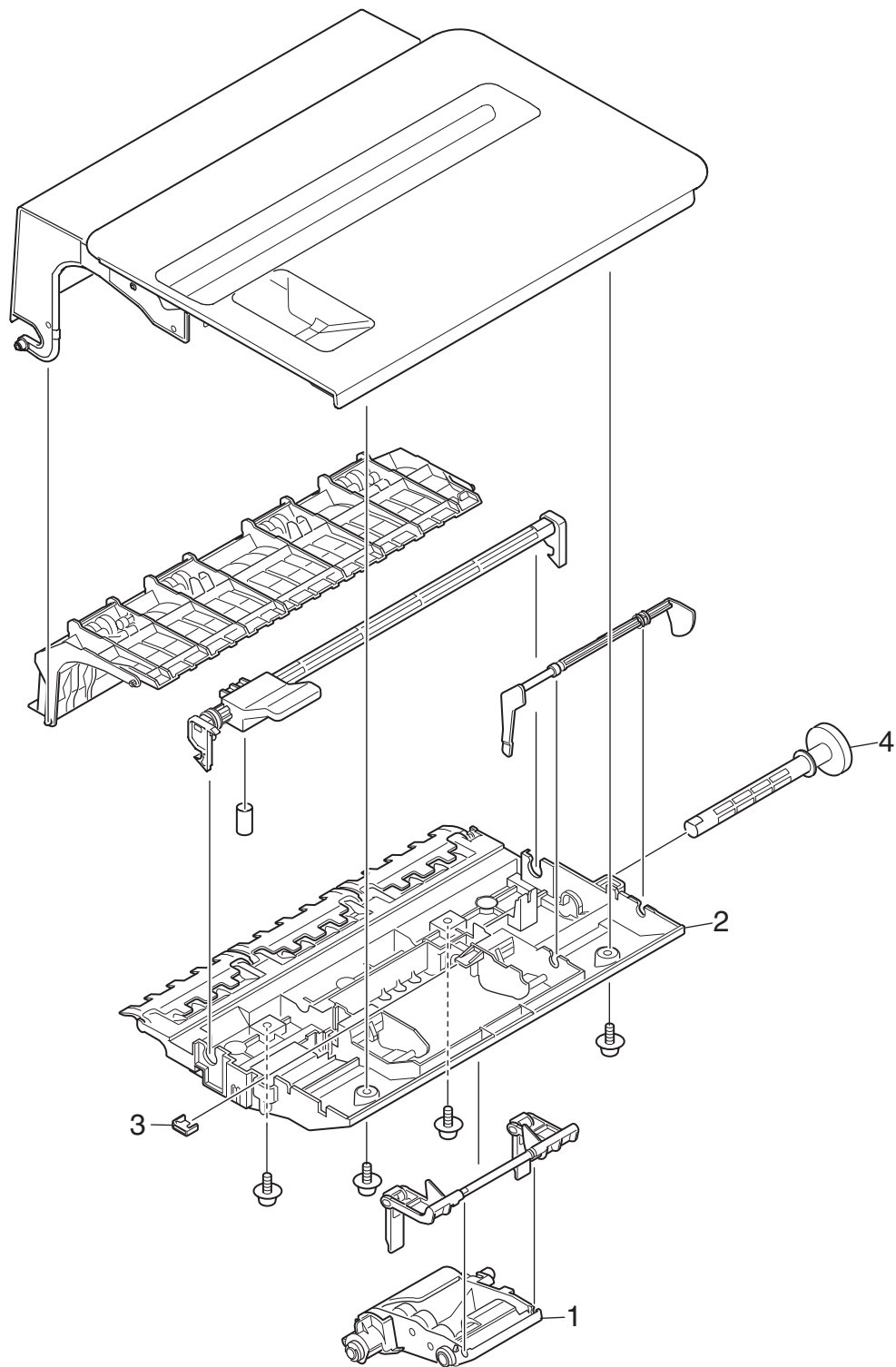
Unit Name	No.	Part No.	Part Name	Qty /Unit	Remarks
ADF-Unit	1	45039901	Frame-Base(ADF)	1	
ADF-Unit	2	45059102	ADF-Assy	1	
ADF-Unit	3	45060901	Hinge-Assy.-(L)	1	
ADF-Unit	4	45061001	Hinge-Assy.-(R)	1	
ADF-Unit	5	45040001	Cover-ADF(Front)	1	
ADF-Unit	6	45169801	OR-Board-7RL	1	ADF Board
ADF-Unit	7	45059201	Cover-Assy-Top-ADF	1	

# ADF-Assy



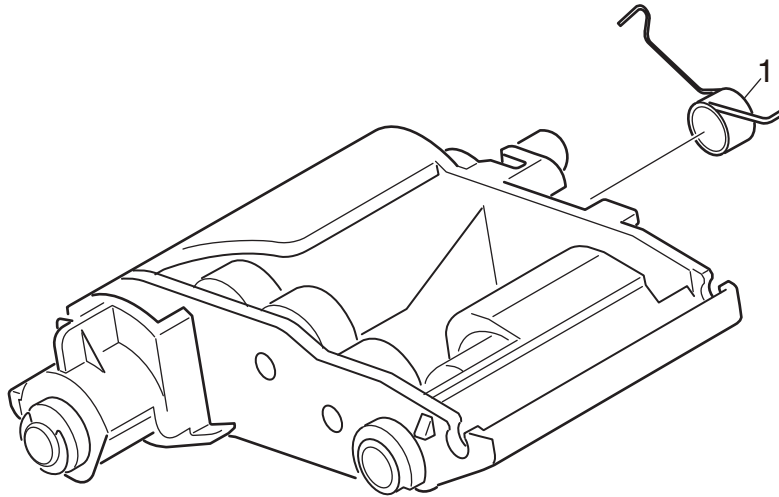
Unit Name	No.	Part No.	Part Name	Q'ty /Unit	Remarks
ADF-Assy	1	45059201	Cover-Assy-Top-ADF	1	
ADF-Assy	2	45049401	Motor-ADF	1	ADF-Motor
ADF-Assy	2	45631101	Motor-ADF	1	ADF-Motor
ADF-Assy	3	42058303	Solenoid	1	ADF-Sol
ADF-Assy	4	44261406	Clutch-3.5	1	ADF-Hop-CL
ADF-Assy	5	44716101	Clutch-Hop-Op	1	ADF-Reg-CL
ADF-Assy	6	45060301	Guide-Assy-Exit-Lower	1	
ADF-Assy	7		CONN Cord-AMP3P-AMP3P	1	Set SNS
ADF-Assy	8		CONN Cord-AMP3P-JST3P	1	ADF-Rev SNS
ADF-Assy	9		CONN Cord-AMP3P-JST3P	1	ADF-Scan SNS
ADF-Assy	10		CONN Cord-AMP3P-AMP3P-AMP6P	1	Cover Open SNS
ADF-Assy	11	56128501	LG248BL1	1	SNS
ADF-Assy	12	45077901	CONN Cord-JST6P-AMP4P	1	Motor-Cable
ADF-Assy	13		Spring-Guide(Rev)	1	
ADF-Assy	14		Guide Assy-D_Mainte	1	

### Cover-Assy-Top-ADF



Unit Name	No.	Part No.	Part Name	Q'ty /Unit	Remarks
Cover-Assy-Top-ADF	1	45059801	Frame-Assy-Hopping-ADF	1	
Cover-Assy-Top-ADF	2		Guide-Top(A)	1	
Cover-Assy-Top-ADF	3	46192401	Piece-Lock(Pickup)	1	
Cover-Assy-Top-ADF	4		Gear-Shaft-Hopping	1	

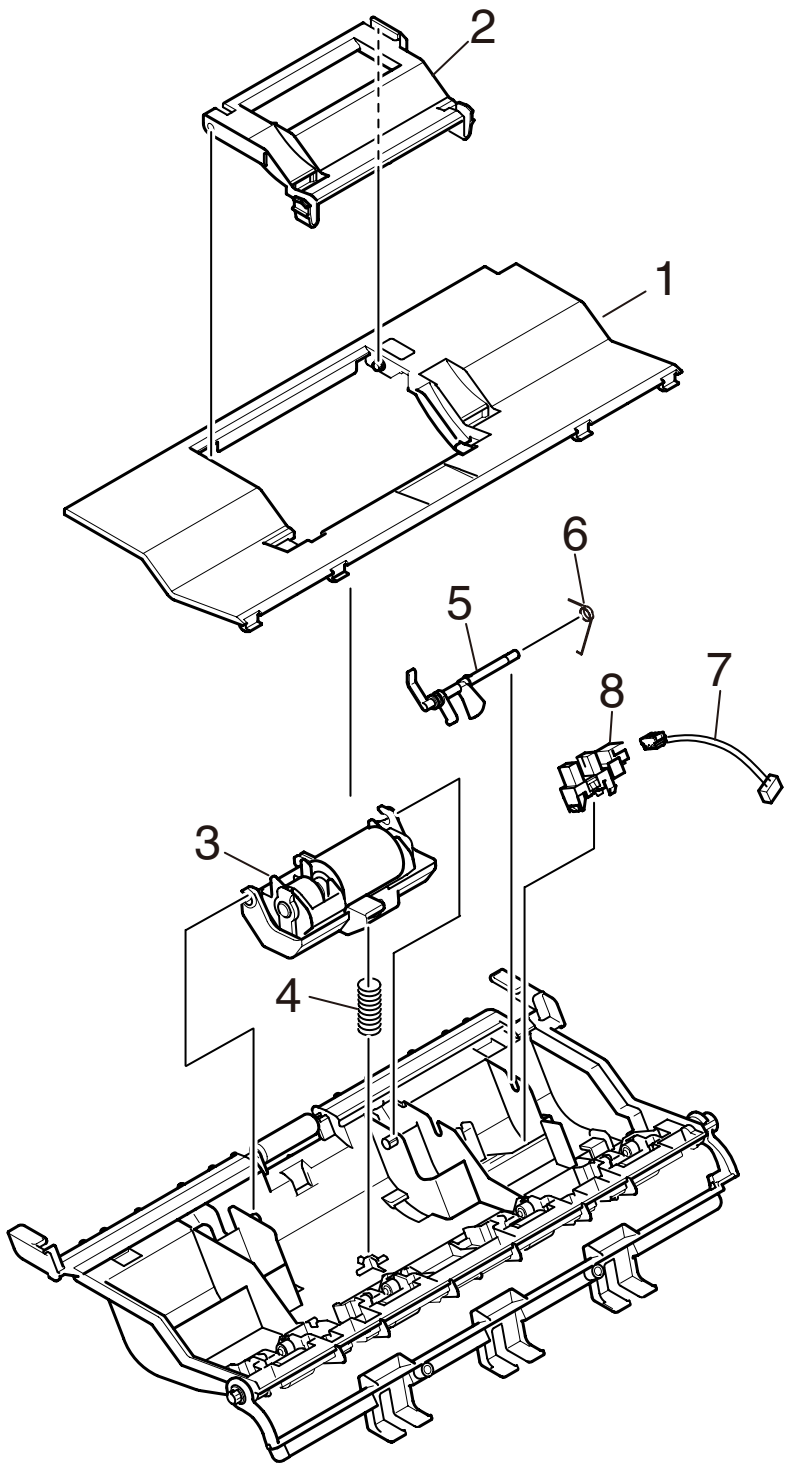
### Frame-Assy-Hopping-ADF



Unit Name	No.	Part No.	Part Name	Q'ty /Unit	Remarks
Frame-Assy-Hopping-ADF	1	46181201	Spring-Lock(Pickup)	1	

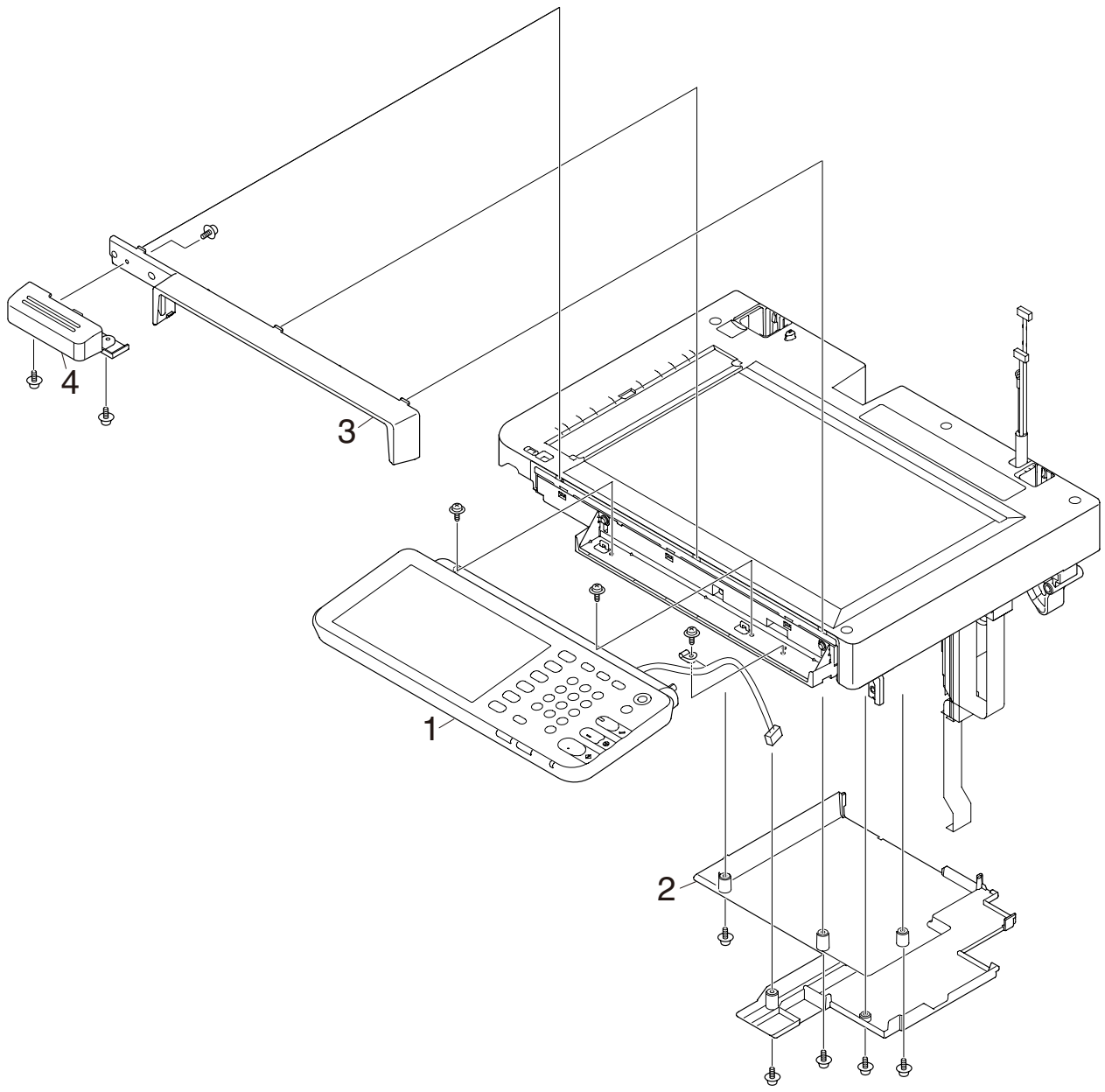


### Guide-Assy-Retard



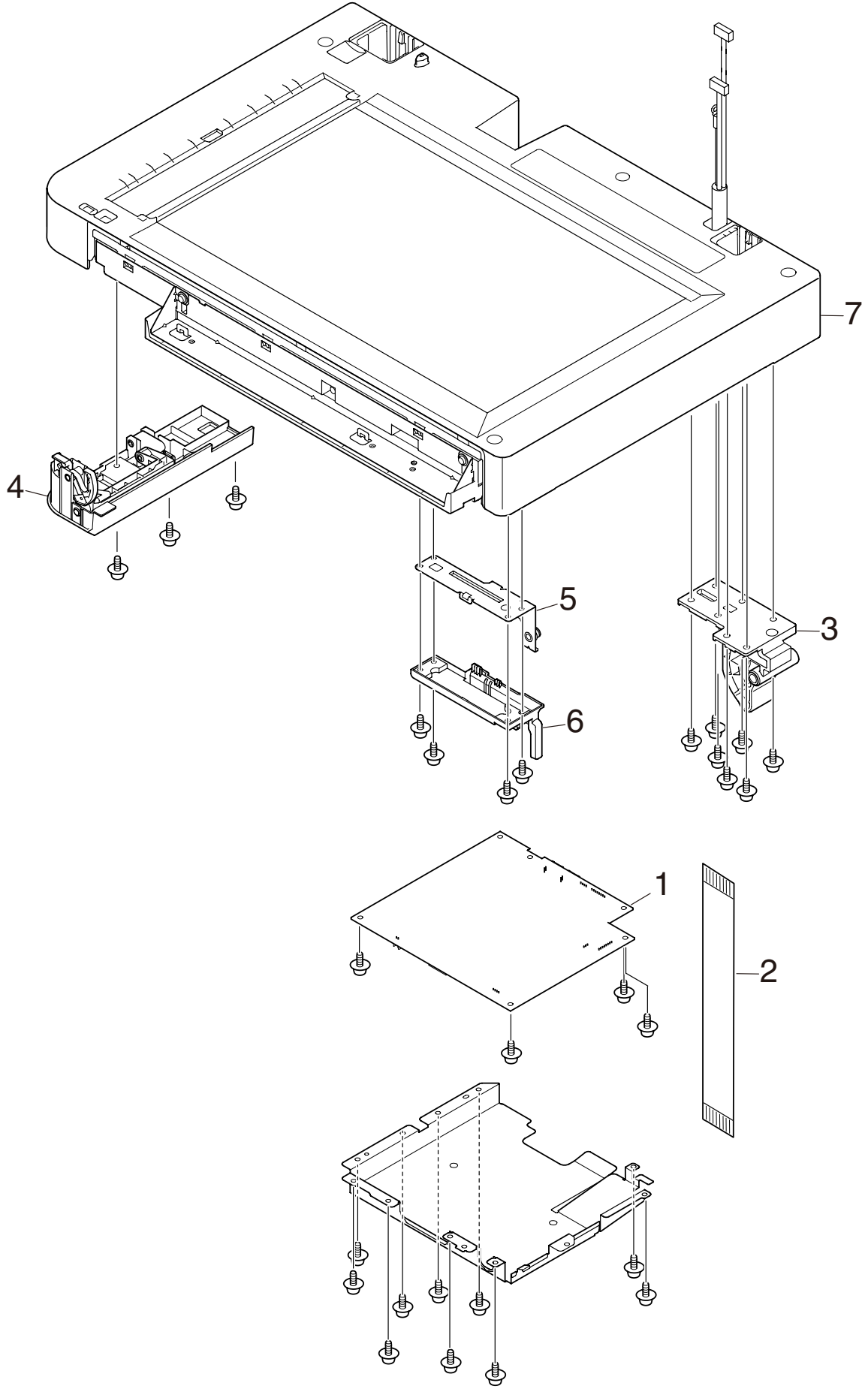
Unit Name	No.	Part No.	Part Name	Q'ty /Unit	Remarks
Guide-Assy-Retard	1	45056401	Guide-Retard(Sub)	1	
Guide-Assy-Retard	2	45045701	Cover-Retard(ADF)	1	
Guide-Assy-Retard	3	45060101	Frame-Assy-Retard	1	
Guide-Assy-Retard	4	45046301	Spring-Retard	1	
Guide-Assy-Retard	5	45045801	Lever-Hopping	1	
Guide-Assy-Retard	6	45046901	Guide-Exit(Lower)	1	
Guide-Assy-Retard	6	45045901	Spring-Hopping	1	
Guide-Assy-Retard	7		CONN Cord-AMP3P-JST4P	1	
Guide-Assy-Retard	8	56128501	LG248BL1	1	SNS

# Flatbed-Unit



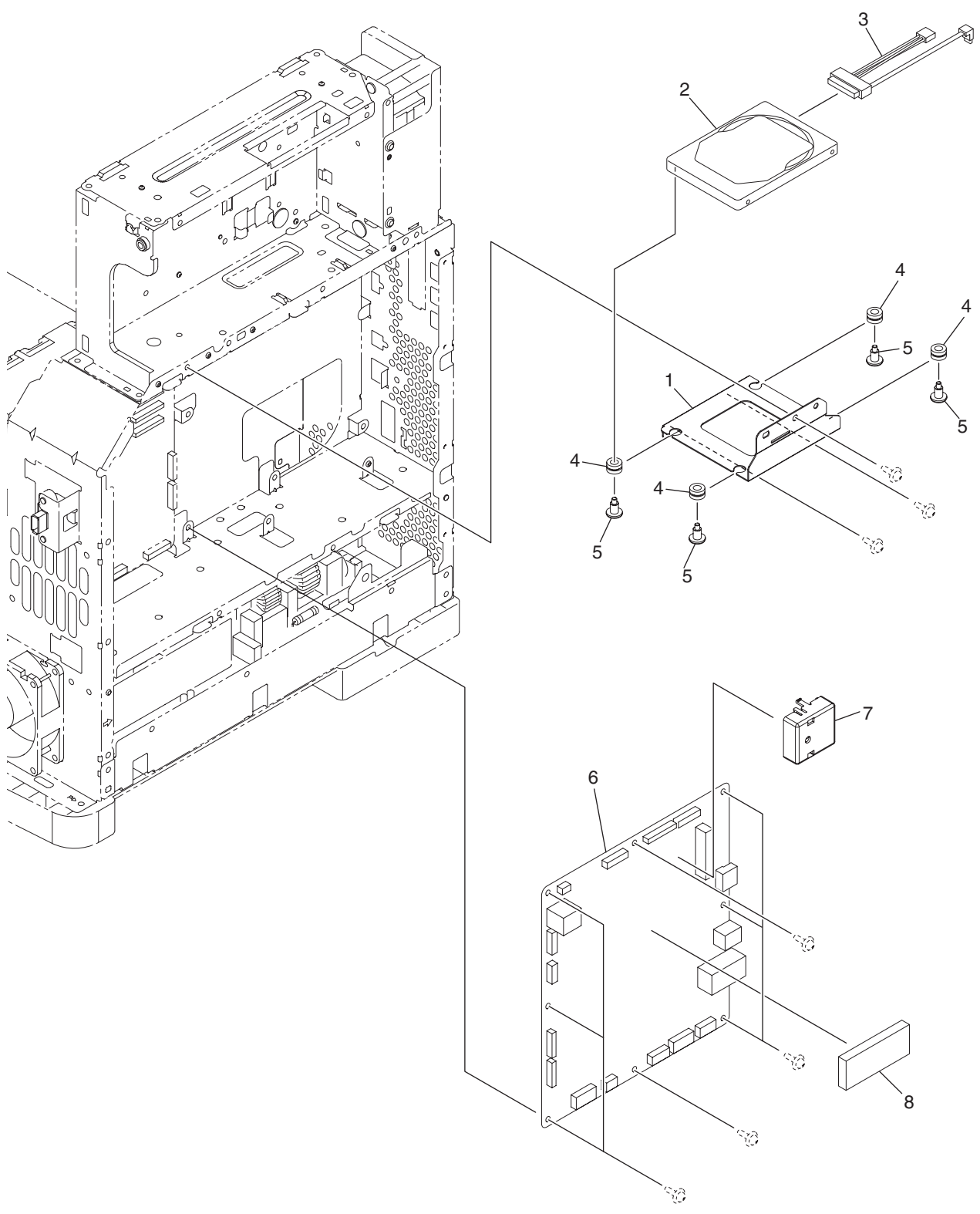
Unit Name	No.	Part No.	Part Name	Q'ty /Unit	Remarks
Flatbed-Unit	1	45272001	Ope-panel-unit	1	
Flatbed-Unit	2		Cover-Bottom	1	
Flatbed-Unit	3		Cover-OP	1	
Flatbed-Unit	4		Handle-Scanner(S)	1	

### Frame-Assy-FB



Unit Name	No.	Part No.	Part Name	Q'ty /Unit	Remarks
Frame-Assy-FB	1	45169401	OR-Board-7SU	1	
Frame-Assy-FB	1	45169402	OR-Board-7SU-2	1	
Frame-Assy-FB	2		20706FWR1.0-24-520	1	
Frame-Assy-FB	3	45053601	Cam-Hinge(FB)	1	
Frame-Assy-FB	4	45061402	Cover Assy.-LF	1	
Frame-Assy-FB	5		Plate-Hinge-L(Caulking)	1	
Frame-Assy-FB	6		Cover-Hinge(L)	1	
Frame-Assy-FB	7	45484601	Flatbed(maintenance kit)	1	
Frame-Assy-FB	8	45061702	Frame Assy.-Top	1	For ODA only-Glass Only

# SYS-HDD



Unit Name	No.	Part No.	Part Name	Qty /Unit	Remarks
SYS-HDD	1		BRKT-HDD-H28X	1	
SYS-HDD	2	45729533	MQ01ABU032W	1	HDD
SYS-HDD	3	45554905	Board-St_Helens_HDD_Cable	1	HDD Cable
SYS-HDD	4		VB-1006-95T	4	
SYS-HDD	5		SCREW-HDD-CASE_M3	4	
SYS-HDD	6	45554906	Board-St_CU(Mono)	1	Board CU
SYS-HDD	7	45554902	Board-St_Helens_SRAM	1	Board SRAM
SYS-HDD	8	45554903	Board-St_Helens_DIMM	1	Board DIMM