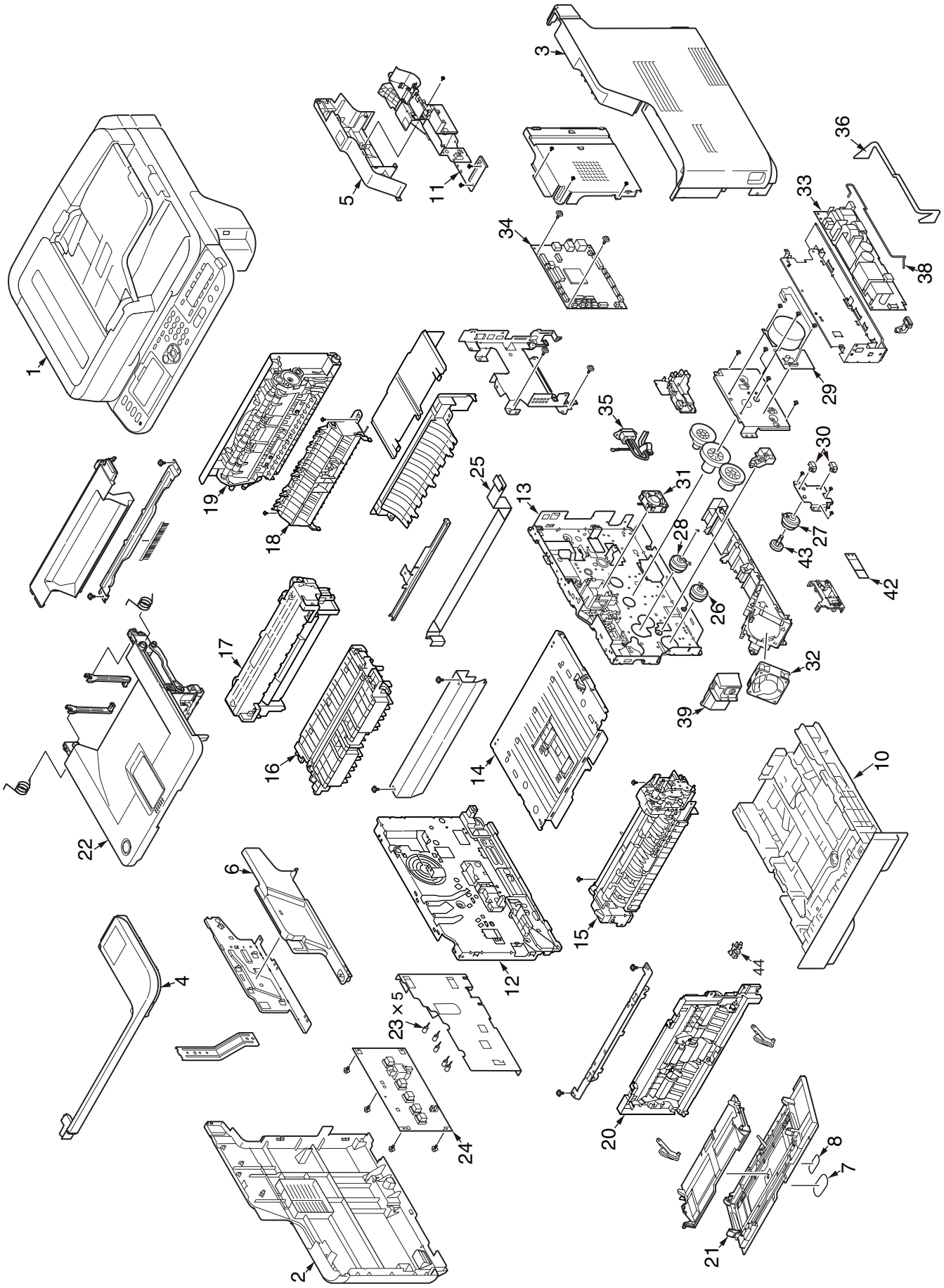


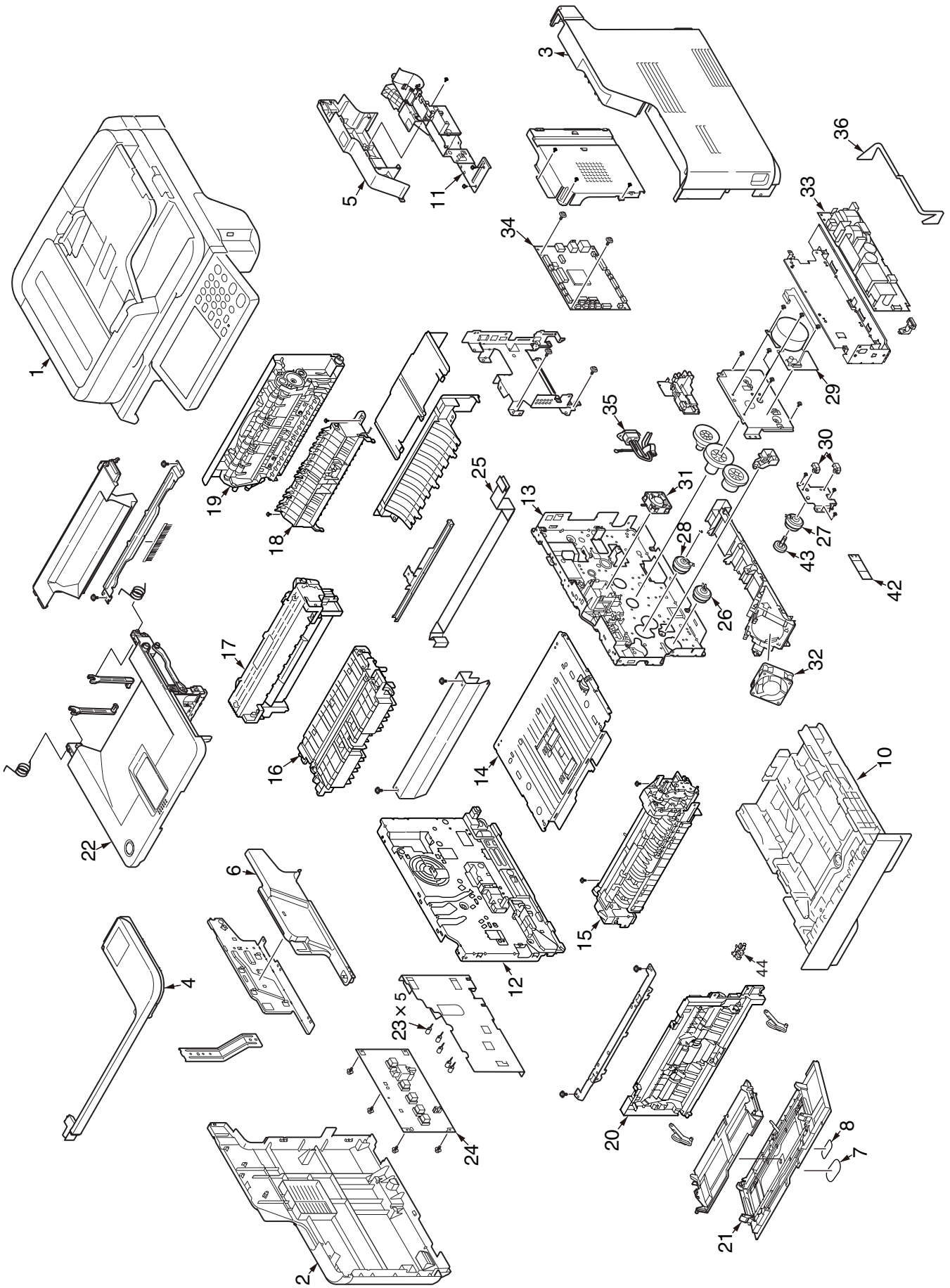
**MB472w / MB492  
MB562w / ES5162  
Illustrated Spare  
Parts Manual**

041315B

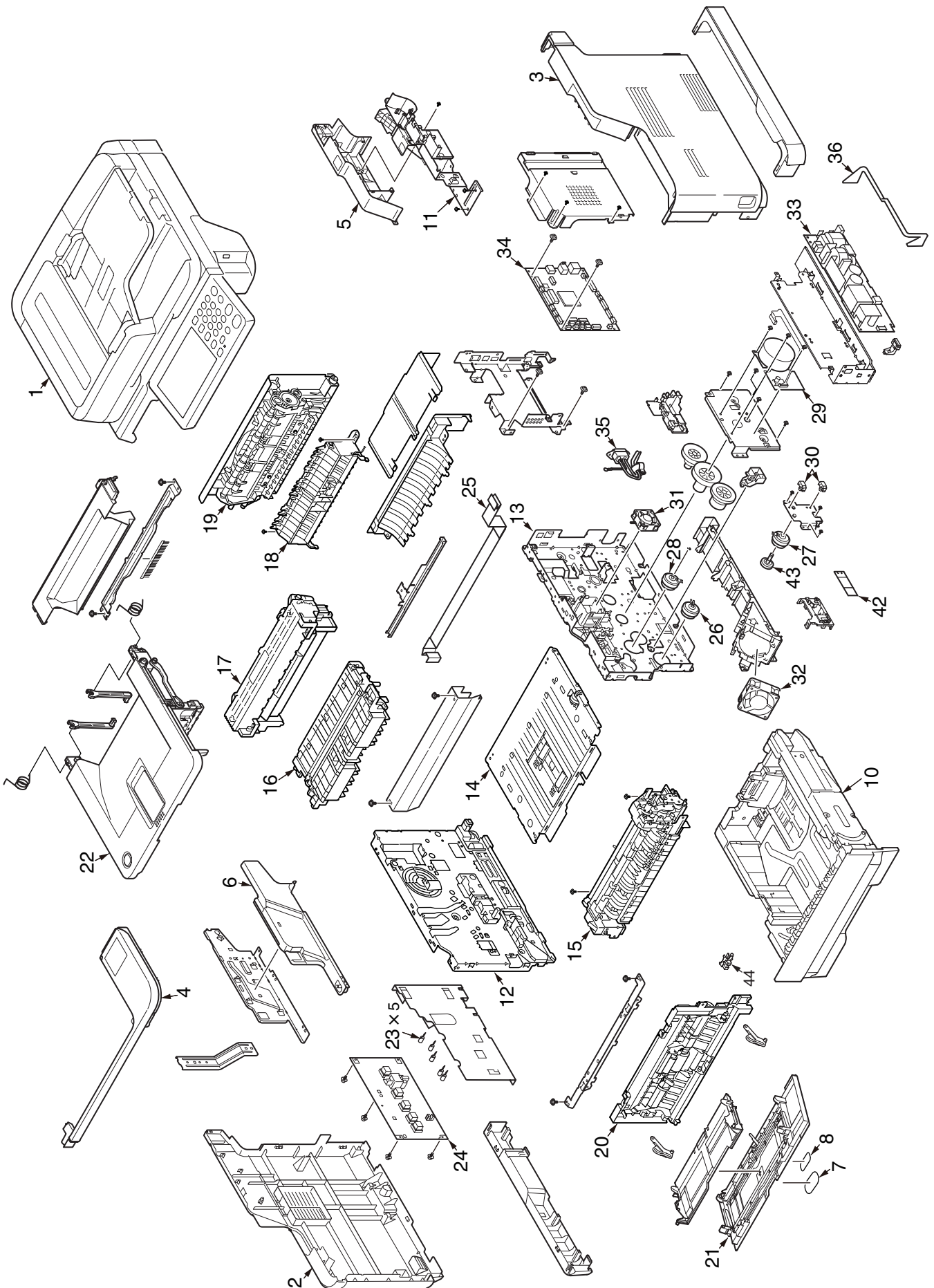
# MFP-Unit (MB472)



# MFP-Unit (MB492/ES4192)



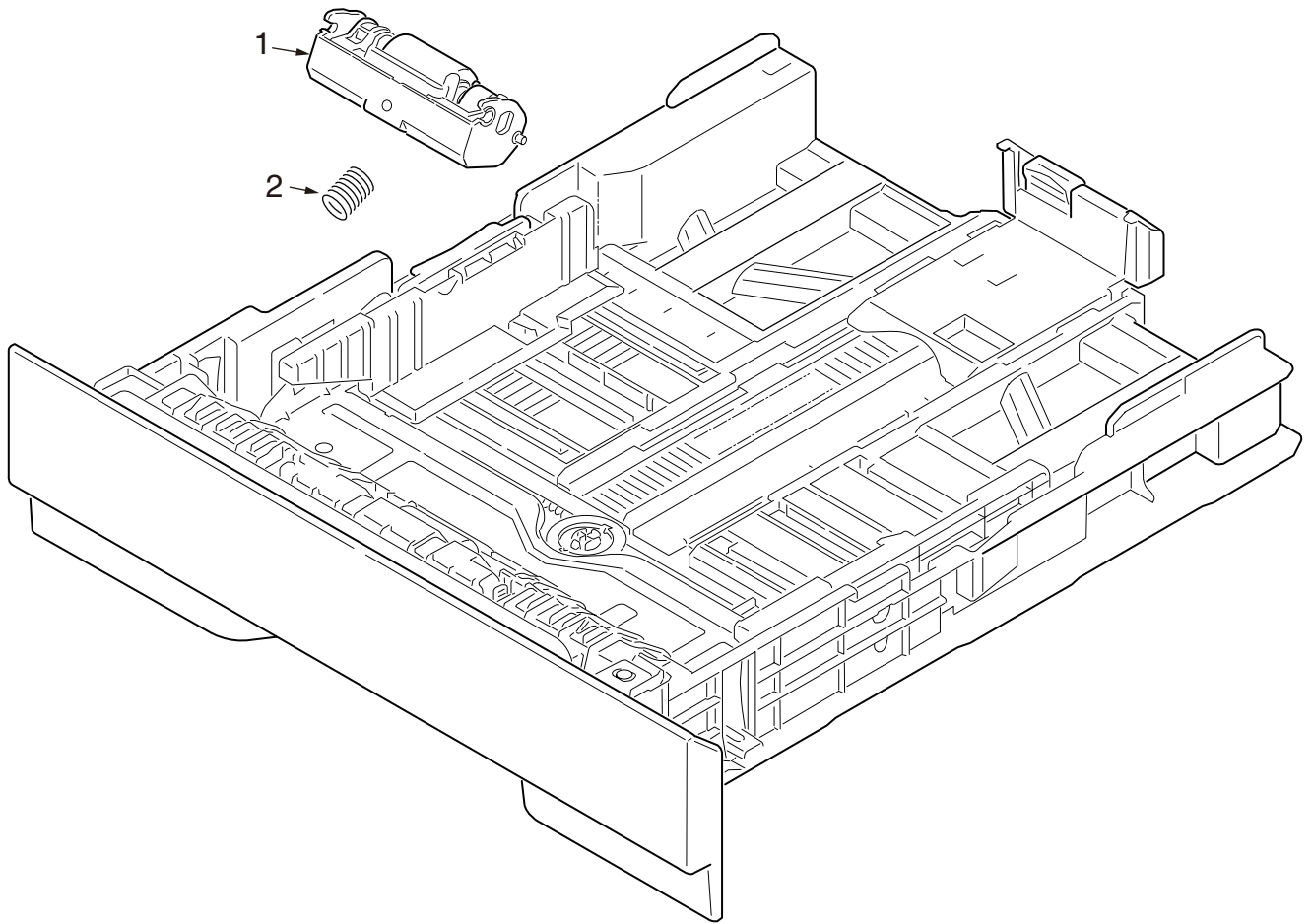
# MFP-Unit (MB562/ES5162)



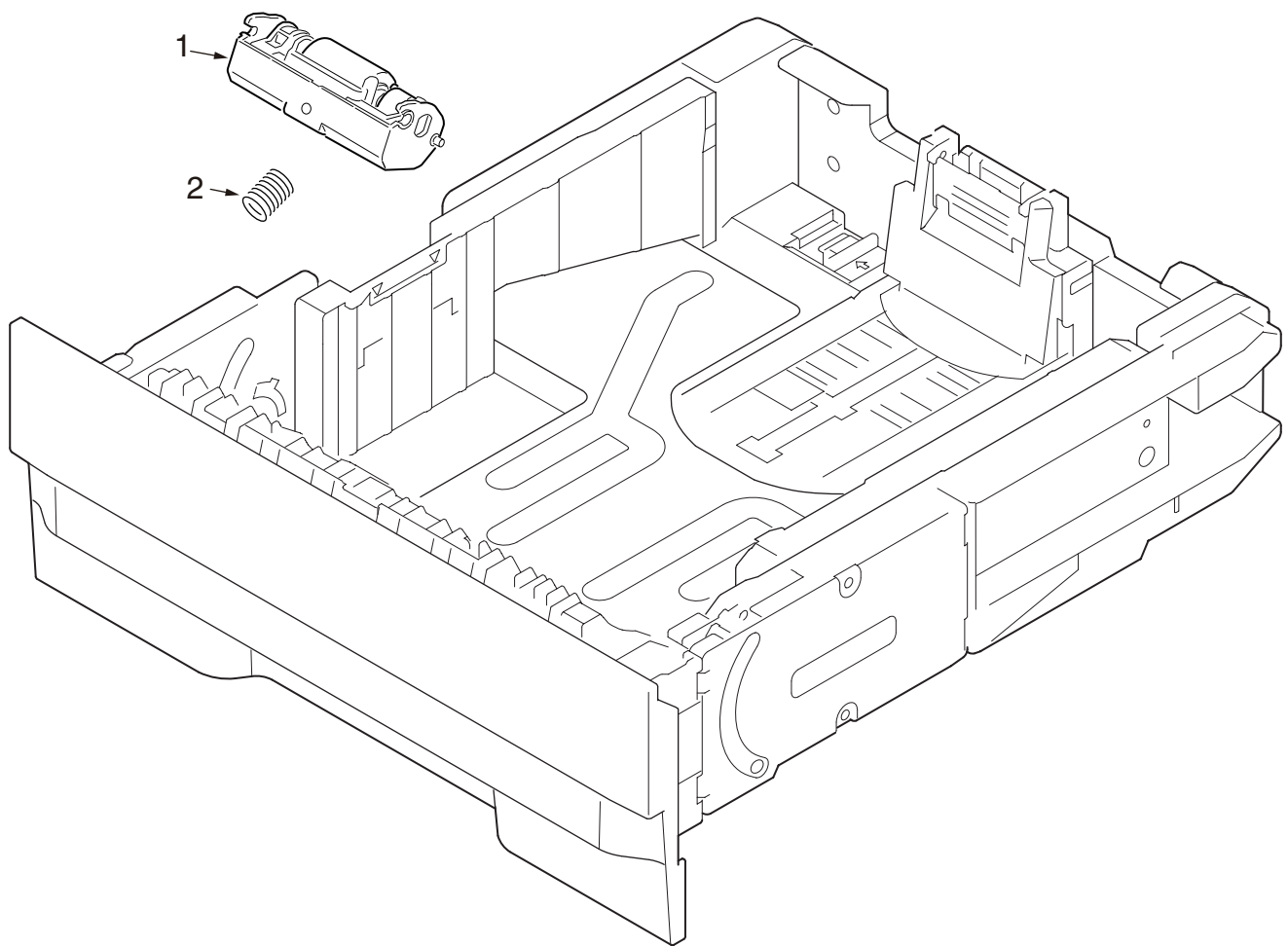
Unit Name	No.	P/N	Part Name	Qty	500	1000	2000	Remarks
MFP-Unit	1	45880901	Scanner-Maintenance-Unit	1	1	2	4	MB472 except OEL
MFP-Unit	1	45880903	Scanner-Maintenance-Unit(7inch OP)	1	1	2	4	MB492,MB562,ES4192,ES5162 except OEL
MFP-Unit	2		Cover-Side(L)	1	1	1	1	
MFP-Unit	3		Cover-Side(R)	1	1	1	1	
MFP-Unit	4		Cover-Front(Top)	1	1	1	1	
MFP-Unit	5		Cover-Stay(R)	1	1	1	1	
MFP-Unit	6		Cover-Stay(L)	1	1	1	1	
MFP-Unit	7		Plate-Logo	1	1	1	1	
MFP-Unit	8		Film-Name_MB472	1	1	1	1	
MFP-Unit	8		Film-Name_MB492	1	1	1	1	
MFP-Unit	8		Film-Name_MB562	1	1	1	1	
MFP-Unit	8		Film-Name_ES4192 MFP	1	1	1	1	
MFP-Unit	8		Film-Name_ES5162 MFP	1	1	1	1	
MFP-Unit	10	44559001	Cassette-Assy(250sht) (MB472,MB492,ES4192)	1	1	1	2	MB472,MB492,ES4192
MFP-Unit	10	44579504	Cassette-Assy- (530)(MB562,ES5162)	1	1	1	2	MB562,ES5162
MFP-Unit	11		Plate Assy.-Stay(R)	1	1	1	1	
MFP-Unit	12-a		Plate-Assy-Side-L	1	1	1	1	
MFP-Unit	12-b		Plate-Assy-Side-L-(530)	1	1	1	1	
MFP-Unit	13		Plate-Assy-Side-R_ (MB472,MB492,ES4192)	1	1	1	1	MMB472,MB492,ES4192
MFP-Unit	13		Plate-Assy-Side-R_ (530) (MB562,ES5162)	1	1	1	1	MB562,ES5162
MFP-Unit	14	44563701	Duplex-Assy (MB472,MB492,ES4192)	1	1	1	1	MMB472,MB492,ES4192
MFP-Unit	14	44563702	Duplex-Assy(530) (MB562,ES5162)	1	1	1	1	MB562,ES5162
MFP-Unit	15	44561503	Front-Assy.- (MB472,MB492,ES4192)	1	1	1	2	MMB472,MB492,ES4192
MFP-Unit	15	44561504	Front-Assy.-PN297(530) (MB562,ES5162)	1	1	1	2	MB562,ES5162
MFP-Unit	16	44559301	Frame-Assy-TR	1	1	1	1	
MFP-Unit	17	44565810	Fuser-Assy-(120V)	1	5	10	20	
MFP-Unit	17	44565811	Fuser-Assy-(240V)	1	5	10	20	
MFP-Unit	18		Guide-Assy-Eject-L	1	1	1	1	
MFP-Unit	19		Frame-Assy-Rear()	1	1	1	1	
MFP-Unit	20		Frame-Assy-MPT	1	1	1	1	
MFP-Unit	21		Cover-Assy-MPT	1	1	1	1	
MFP-Unit	22	44564910	Cover-Assy-Stacker- (MB472)	1	1	1	1	MB472
MFP-Unit	22	44564909	Cover-Assy-Stacker- (7inchOP) (MB492,MB562,ES4192,ES 5162)	1	1	1	1	MB492,MB562,ES4192,ES5162
MFP-Unit	23	44509801	Spring-Contact	5	1	1	1	
MFP-Unit	24	44554001	OR-Board -97H	1	1	1	2	HV

Unit Name	No.	P/N	Part Name	Qty	500	1000	2000	Remarks
MFP-Unit	25	44557602	Cable-FFC-28P(Add) FN296/7	1	1	1	1	HV-CU
MFP-Unit	26	44261402	Clutch	1	1	1	1	Hopping-Clutch
MFP-Unit	27	44261403	Clutch-3.5	1	1	1	1	MPT-Clutch
MFP-Unit	28	44261405	Clutch-4.5	1	1	1	1	Regist-Clutch
MFP-Unit	29	44558301	Motor-DC(Main)	1	1	2	4	
MFP-Unit	30		Clamp-Cable	7	1	1	1	
MFP-Unit	31	44557102	Motor-Fan	1	1	1	1	on Duct
MFP-Unit	32	44352503	Motor-FAN(60x25)	1	1	1	1	for LV
MFP-Unit	33	45866201	PWR unit-ACDC Switch 120V	1	1	2	4	120V
MFP-Unit	33	45762701	OR-Board-30L 240V	1	1	2	4	240V
MFP-Unit	34	45724951	Board-MRM Maintenance Board MB472(ODNA)	1	3	6	12	MB472(ODNA)
MFP-Unit	34	45724961	Board-MRM Maintenance Board MB492(ODNA)	1	3	6	12	MB492(ODNA)
MFP-Unit	34	45724971	Board-MRM Maintenance Board MB562(ODNA)	1	3	6	12	MB562(ODNA)
MFP-Unit	34	45724981	Board-MRM Maintenance Board ES4192(ODNA)	1	3	6	12	ES4192(ODNA)
MFP-Unit	34	45724991	Board-MRM Maintenance Board ES5162(ODNA)	1	3	6	12	ES5162(ODNA)
MFP-Unit	35		CONN Cord- JST3P-INLET	1	1	1	1	
MFP-Unit	36		CONN Cord-JST14P-JST16P	1	1	1	1	LV-CU
MFP-Unit	38		CONN Cord- JST4P-JST4P (MB472)	1	1	1	1	MB472,SW-Assy-CU
MFP-Unit	39		SW-Assy(Front) (MB472)	1	1	1	1	MB472
MFP-Unit	42	45711601	Wireless LAN Module (DNUB-O1)	1	1	1	1	
MFP-Unit	43	44362601	Gear-MPT-CL-Z28	1	1	1	1	

### Cassette-Assy(MB472/MB492/ES4192)



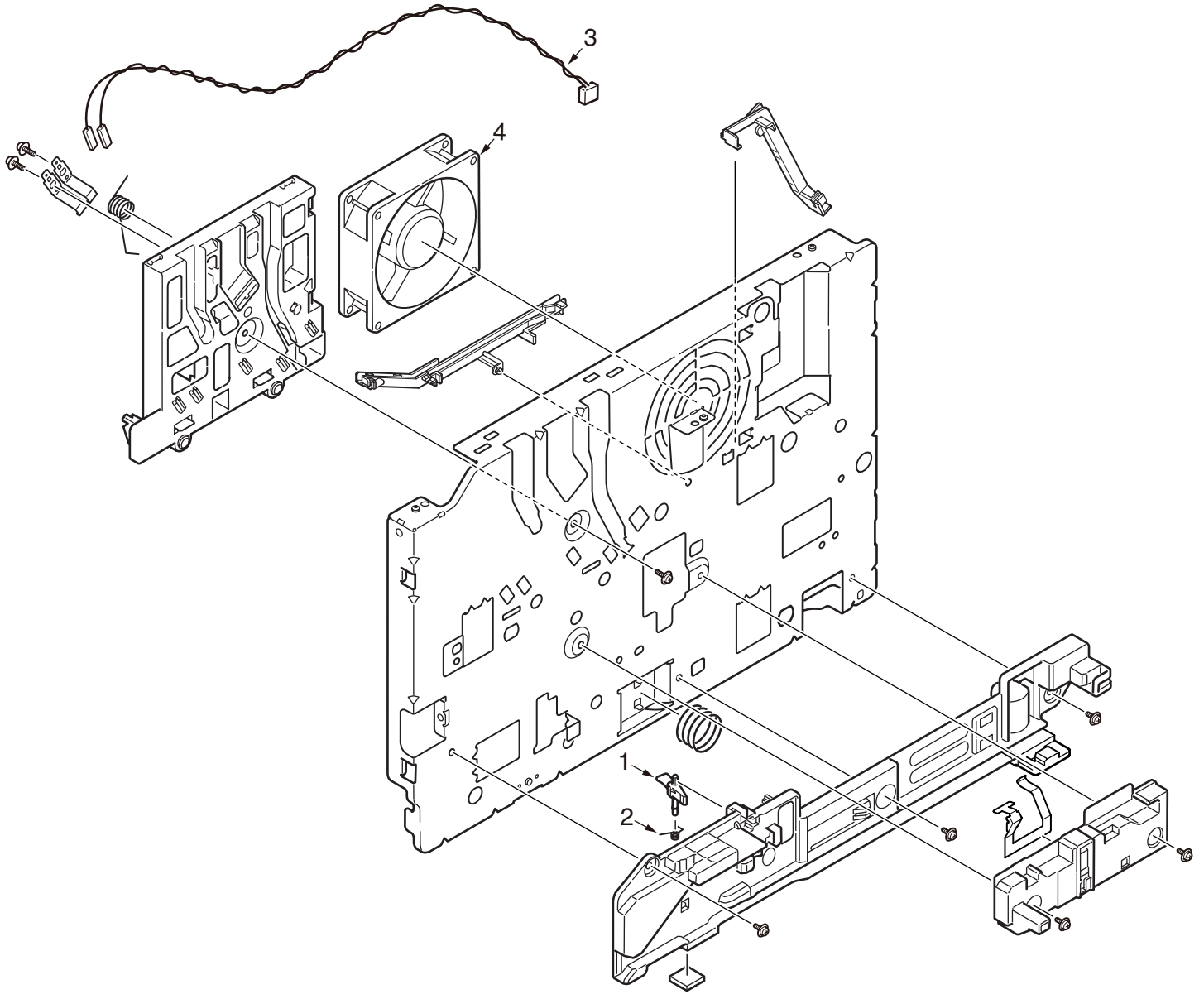
### Cassette-Assy(MB562/ES5162)



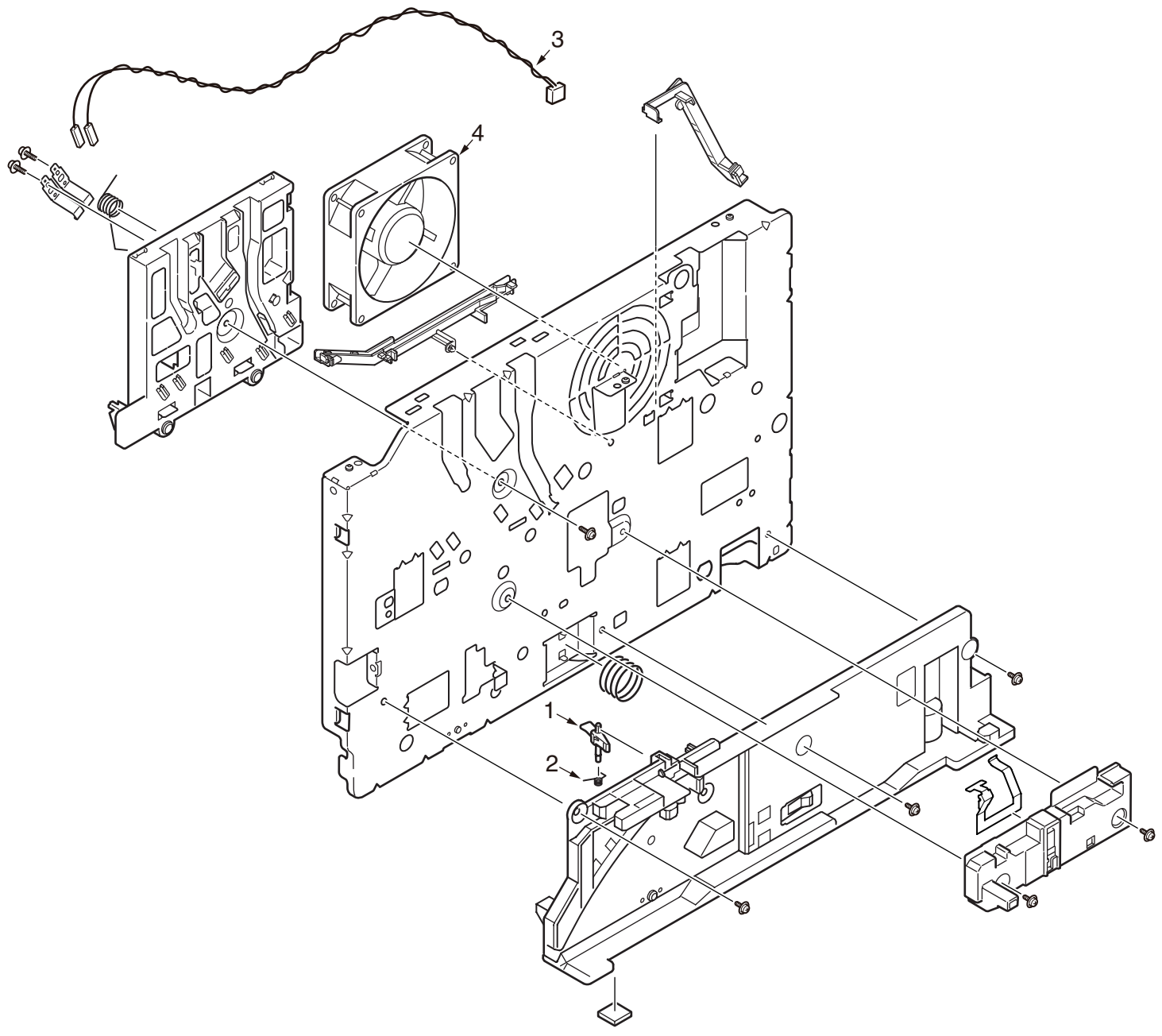


Unit Name	No.	P/N	Part Name	Qty	500	1000	2000	Remarks
Cassette-Assy	1	44384701	Frame Assy.-Retard (MMB472,MB492,ES4192)	1	1	2	4	MMB472,MB492,ES4192
Cassette-Assy	1		Frame-Assy-Retard (MB562,ES5162)	1	1	2	4	MB562,ES5162
Cassette-Assy	2	43963101	Spring-Retard	1	1	1	1	

### Plate-Assy-Side-L(MB472/MB492/ES4192)

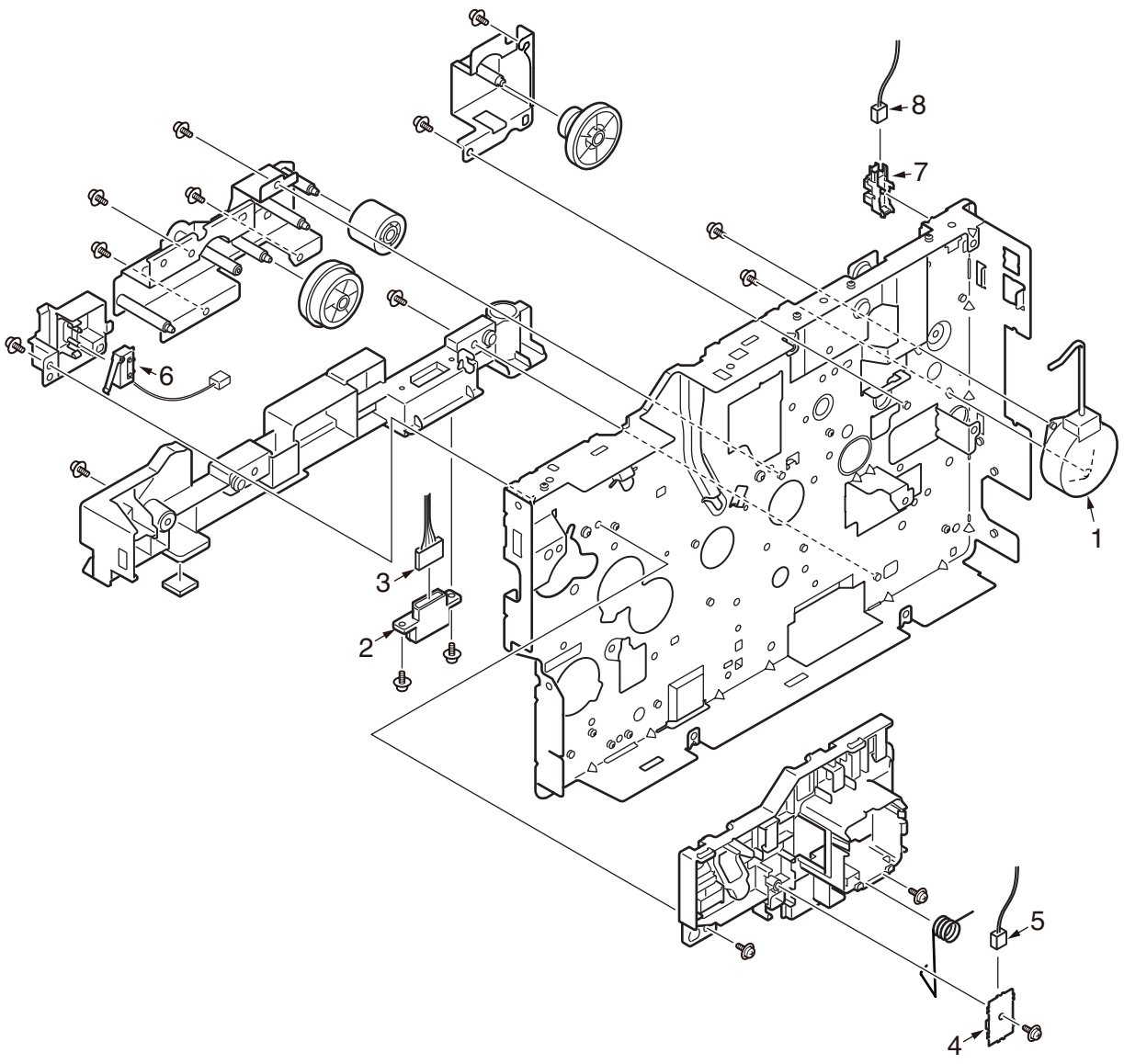


### Plate-Assy-Side-L(MB562/ES5162)

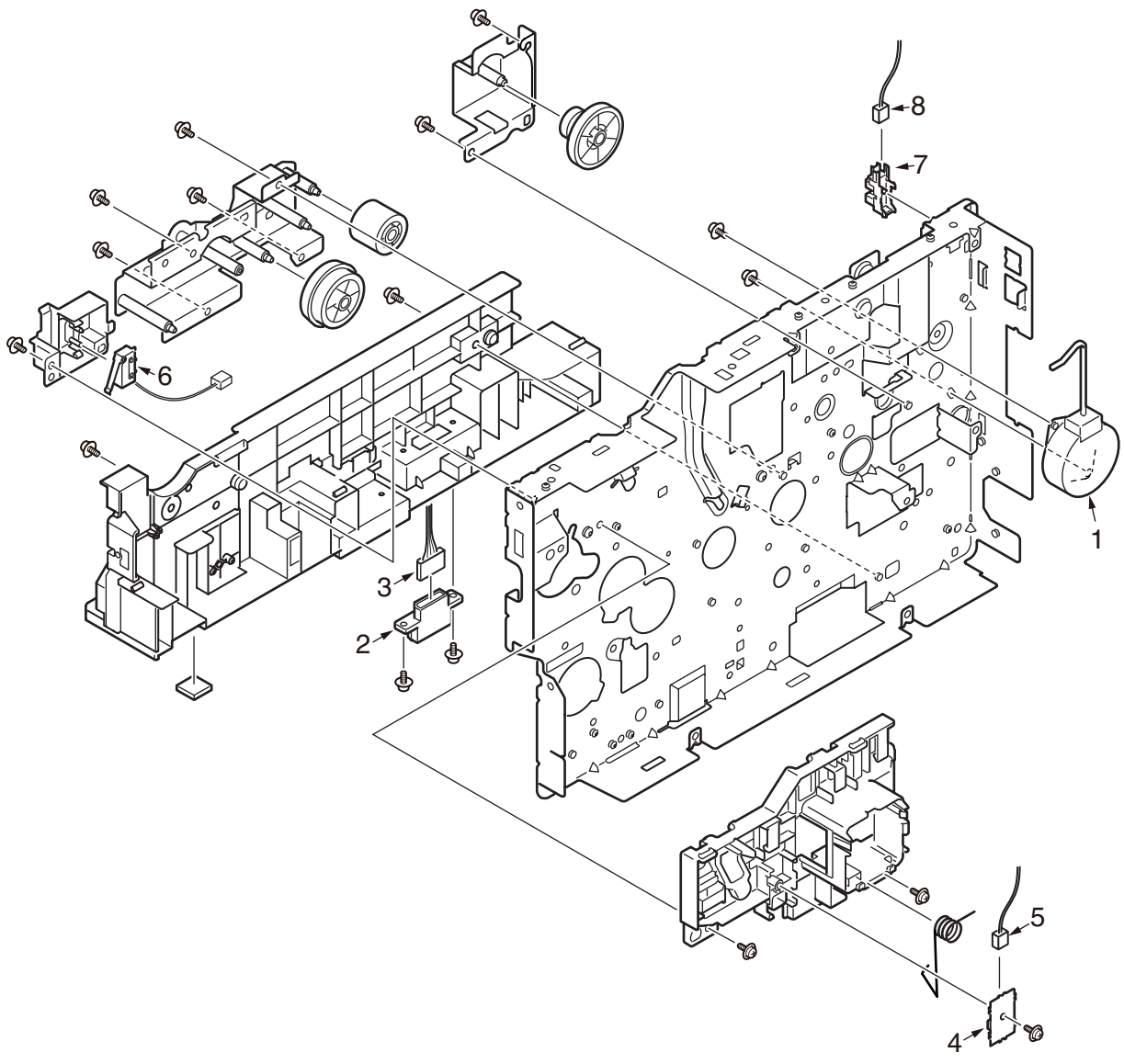


Unit Name	No.	P/N	Part Name	Qty	500	1000	2000	Remarks
Plate-Assy-Side-L	1	44473601	Lever-Sensor-Cassette	1	1	1	1	
Plate-Assy-Side-L	2	44361501	Spring-Sensor-016	1	1	1	1	
Plate-Assy-Side-L	3		CONN Cord-JST2P-JST1P JST1P	1	1	1	1	
Plate-Assy-Side-L	4	45763401	Motor-Fan(80)	1	1	1	1	

### Plate-Assy-Side-R(MB472/MB492/ES4192)

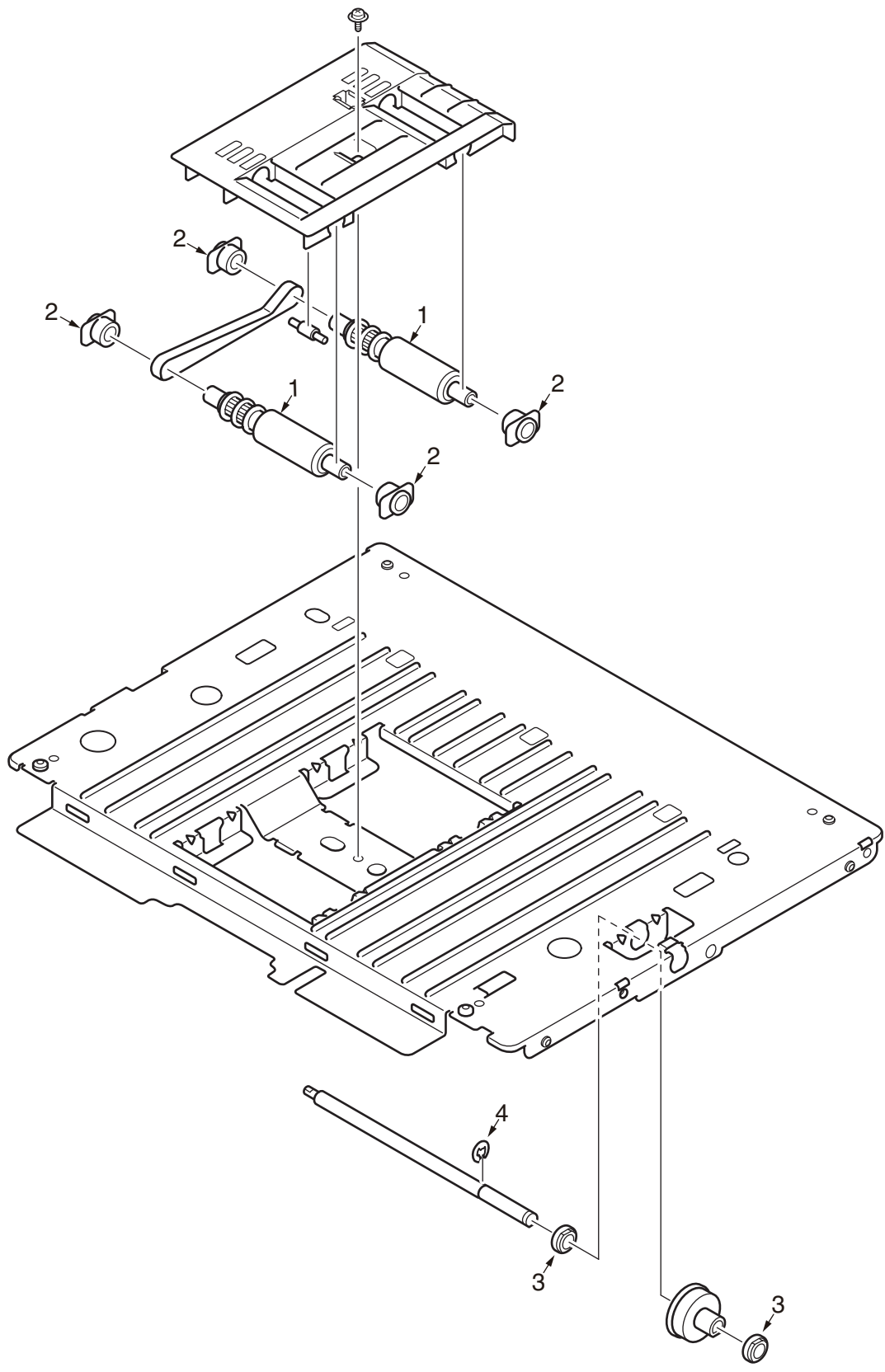


### Plate-Assy-Side-R(MB562/ES5162)



Unit Name	No.	P/N	Part Name	Qty	500	1000	2000	Remarks
Plate-Assy-Side-R	1	44519301	Motor-Pulse	1	1	1	1	
Plate-Assy-Side-R	2	56740480	9715B-08Z02-G4C	1	1	1	1	
Plate-Assy-Side-R	3	44430402	CONN Cord-AMP8P-AMP8P	1	1	1	1	
Plate-Assy-Side-R	4	44555101	OR-Board-97T	1	1	1	1	Toner sensor PCB
Plate-Assy-Side-R	5		CONN Cord-AMP4P-AMP3P	1	1	1	1	97T-CU
Plate-Assy-Side-R	6		CONN Cord-AMP3P-SW	1	1	1	1	Top cover SW - CU
Plate-Assy-Side-R	7	45723601	GP1A173LCS3F	1	1	1	1	
Plate-Assy-Side-R	8		CONN Cord-AMP3P-JST3P	1	1	1	1	Rear cover sensor - CU

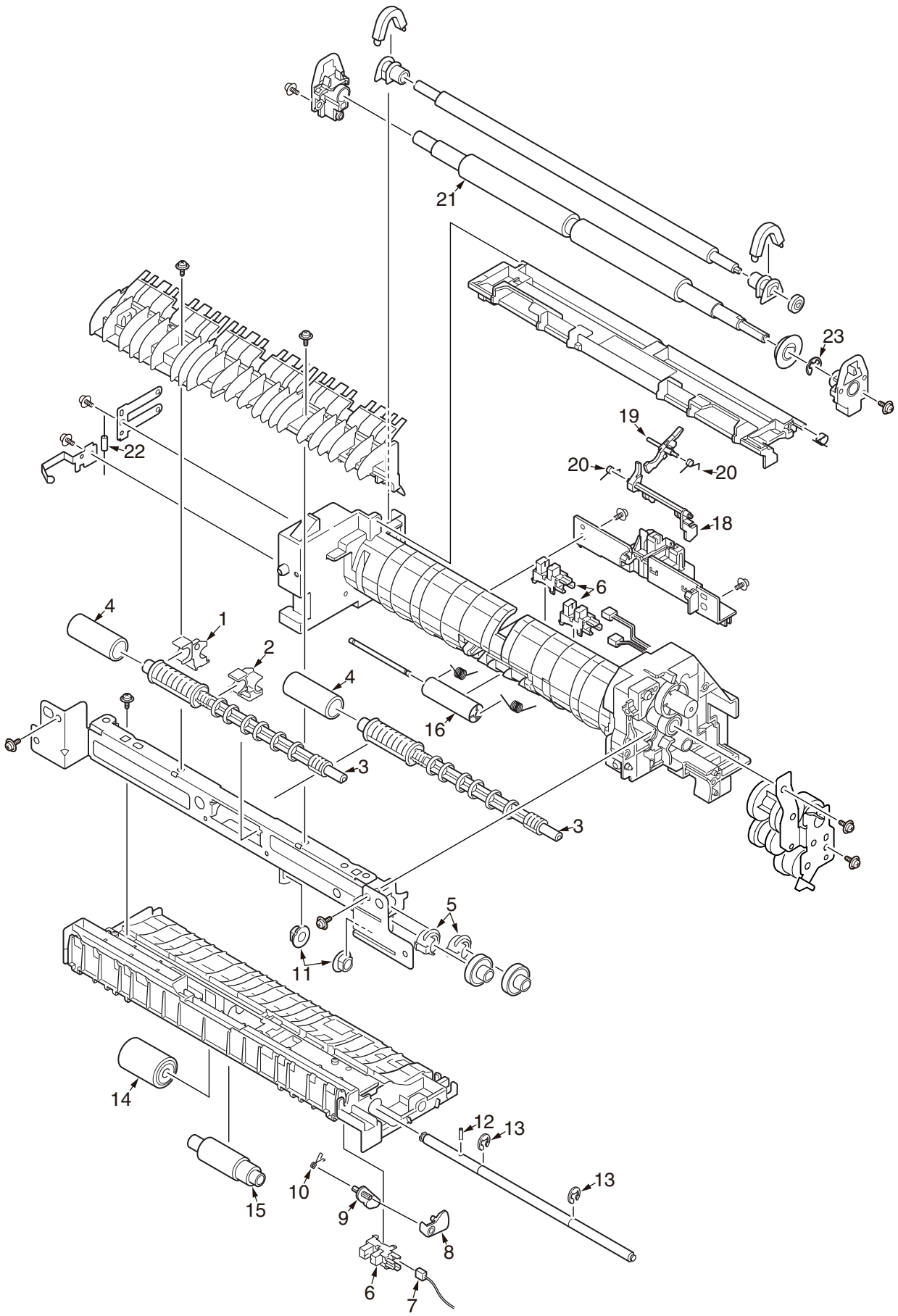
### Duplex-Assy



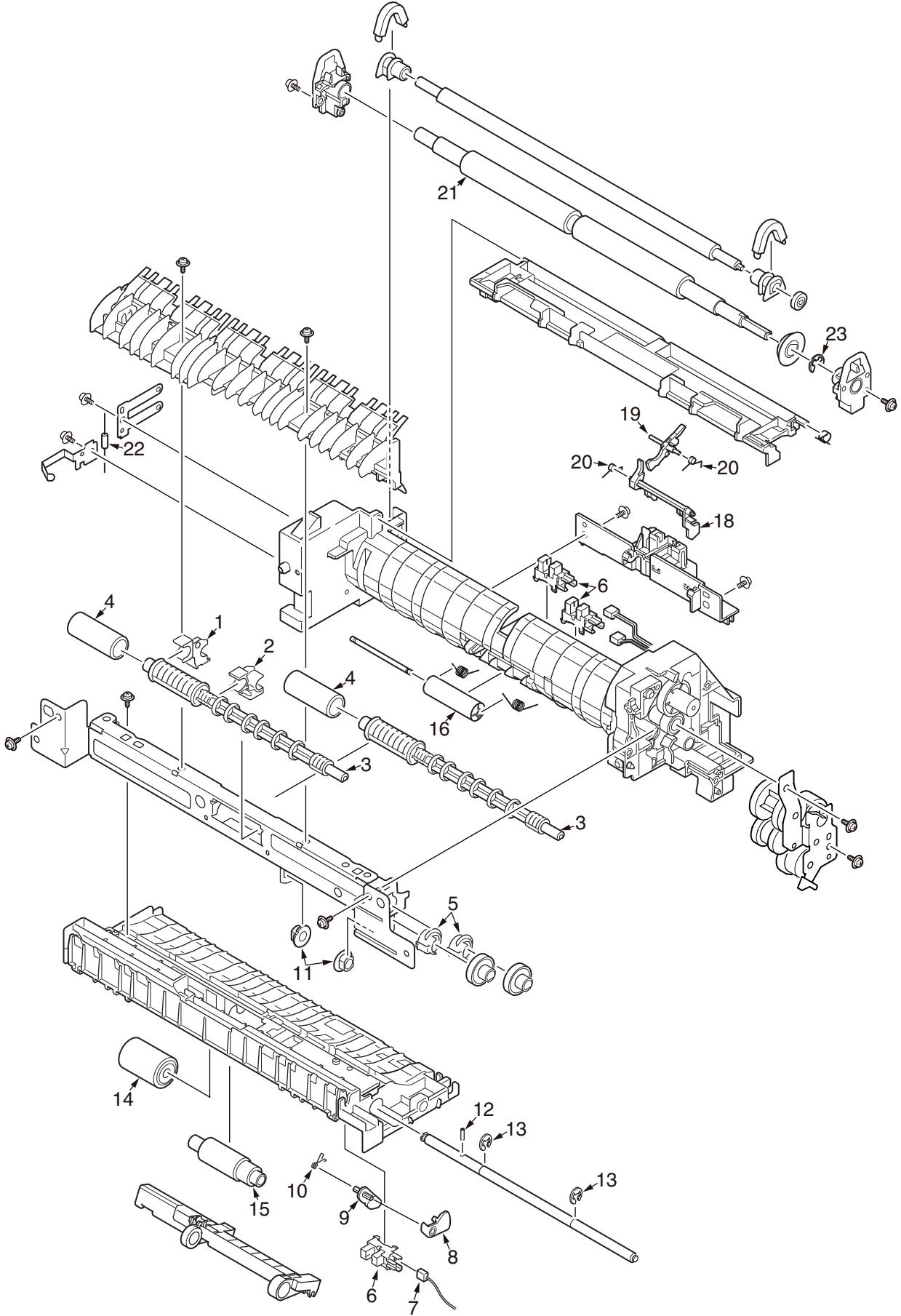


Unit Name	No.	P/N	Part Name	Qty	500	1000	2000	Remarks
Duplex-Assy	1	44354101	Roller-Feed_Dup	2	1	1	1	
Duplex-Assy	2	44379301	Bearing-Dup	4	1	1	1	
Duplex-Assy	3	42060701	Bush	2	1	1	1	

### Front-Assy(MB472/MB492/ES4192)

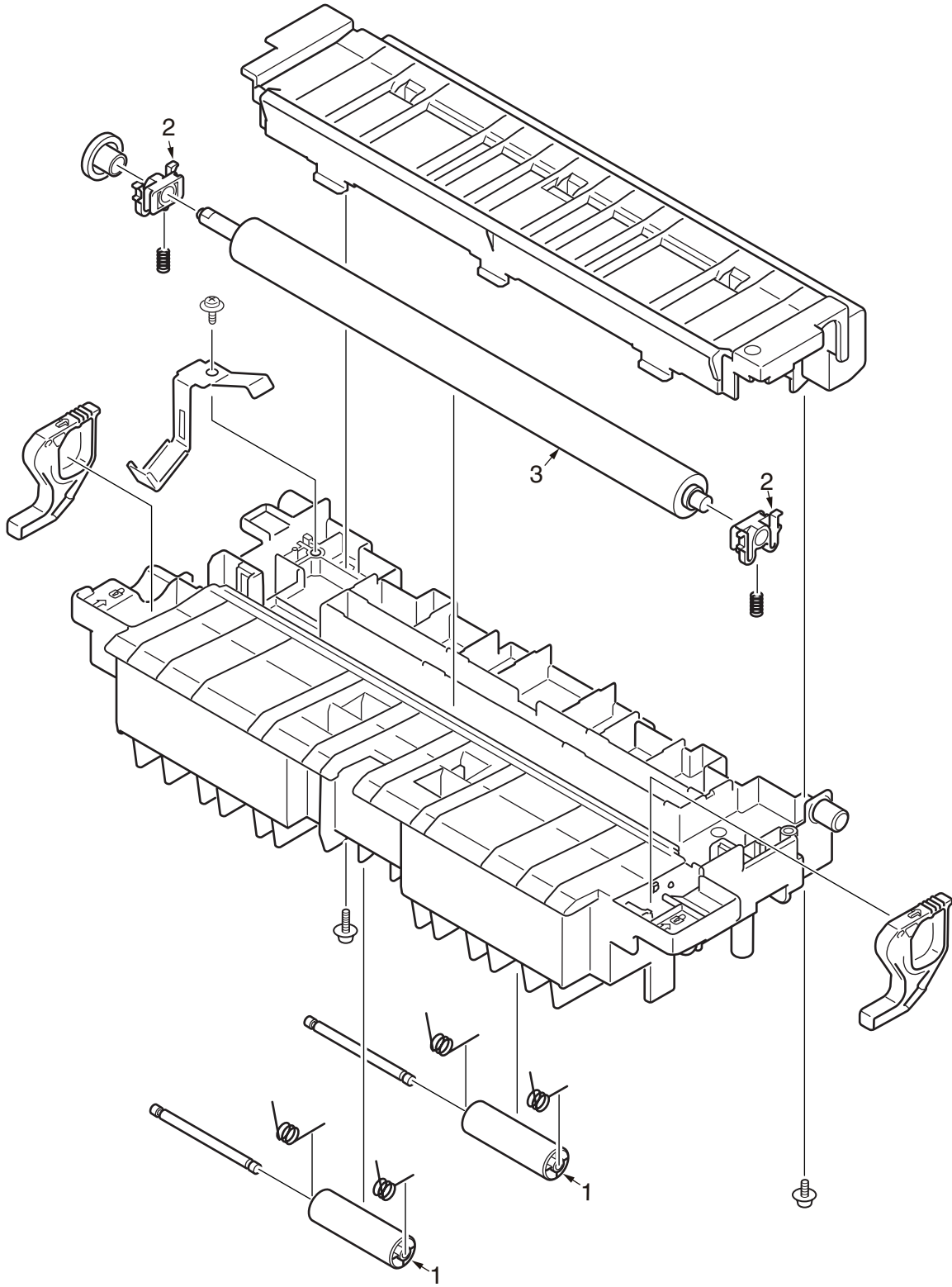


### Front-Assy(MB562/ES5162)



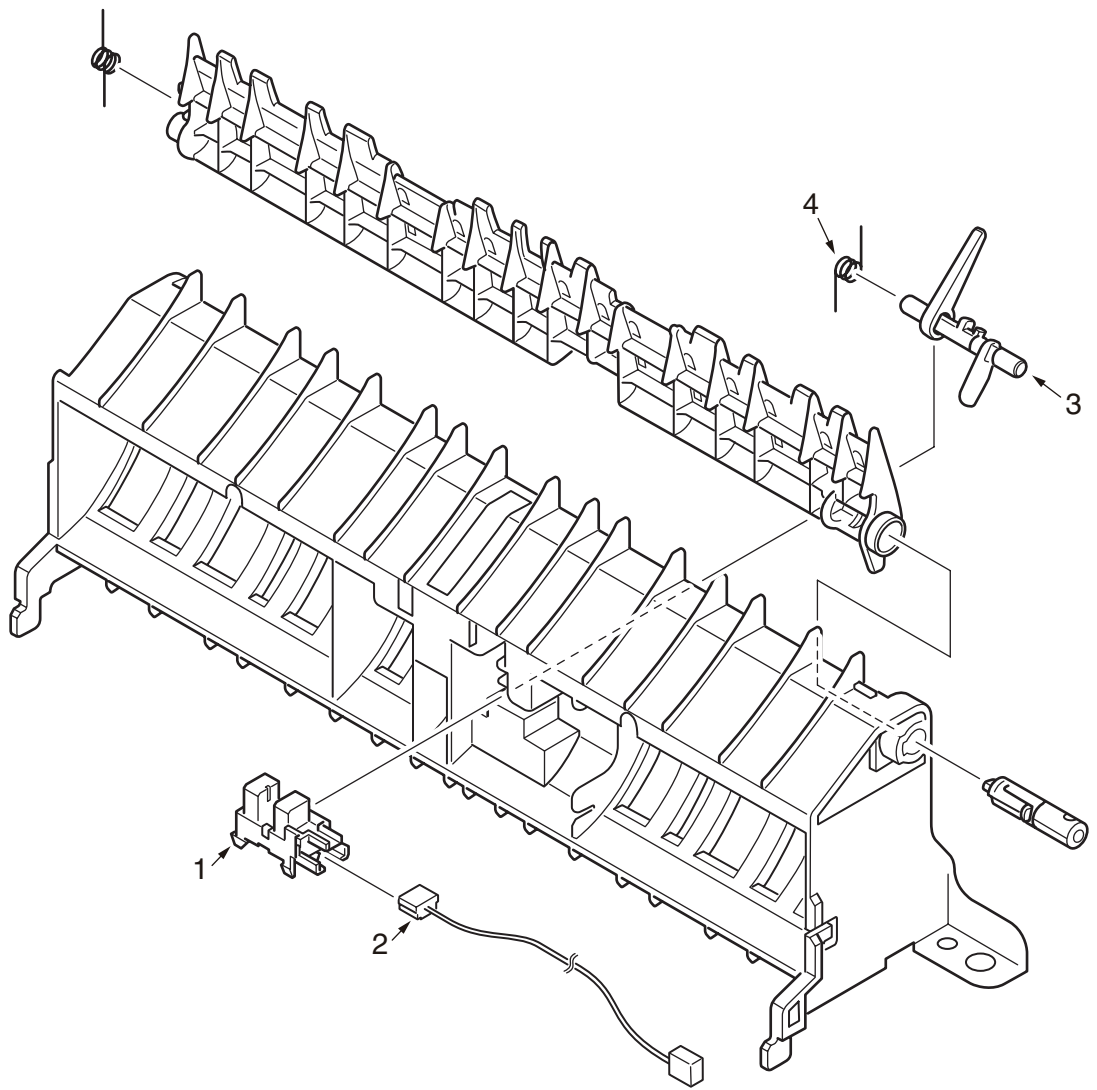
Unit Name	No.	P/N	Part Name	Qty	500	1000	2000	Remarks
Front-Assy	1		Bearing-Feed-L	1	1	1	1	
Front-Assy	2		Bearing-Feed-R	1	1	1	1	
Front-Assy	3	44362101	Shaft-Roller-Feed	1	1	1	1	
Front-Assy	4	44135601	Roller-Feed	2	1	1	1	
Front-Assy	5		Bush-Feed	2	1	1	1	
Front-Assy	6	45723601	GP1A173LCS3F	3	1	1	1	
Front-Assy	7		CONN Cord-JST6P-AMP3Px2	1	1	1	1	
Front-Assy	8-a	44549801	Lever-End	1	1	1	1	
Front-Assy	8-b		Lever-End	1	1	1	1	
Front-Assy	9-a		Lever-End-Sub	1	1	1	1	
Front-Assy	9-b		Lever-End-Sub	1	1	1	1	
Front-Assy	10-a	44550001	Spring-Lever-End	1	1	1	1	
Front-Assy	10-b		Spring-Lever-End	1	1	1	1	
Front-Assy	11		Bush	3	1	1	1	
Front-Assy	12		Pin (ODC P/N NK2-10SUS)	1	1	1	1	
Front-Assy	13		Ring (ODC P/N RE4-SK)	1	1	1	1	
Front-Assy	14	44483301	Roller-Assy-Hopping	1	1	2	4	
Front-Assy	15	44483601	Roller-Assy-PickUp	1	1	2	4	
Front-Assy	16	43355101	Roller-Pinch	2	1	1	1	
Front-Assy	18	44361301	Lever-Sensor-IN	1	1	1	1	
Front-Assy	19	44361401	Lever-Sensor-WR	1	1	1	1	
Front-Assy	20	44361501	Spring-Sensor-016	1	1	1	1	

# Frame-Assy-TR



Unit Name	No.	P/N	Part Name	Qty	500	1000	2000	Remarks
Frame-Assy-TR	1	43355101	Roller-Pinch	2	1	1	1	
Frame-Assy-TR	2	43330101	Bearing-TR	2	1	1	1	
Frame-Assy-TR	3	44432101	Roller-Transfer	1	1	1	1	

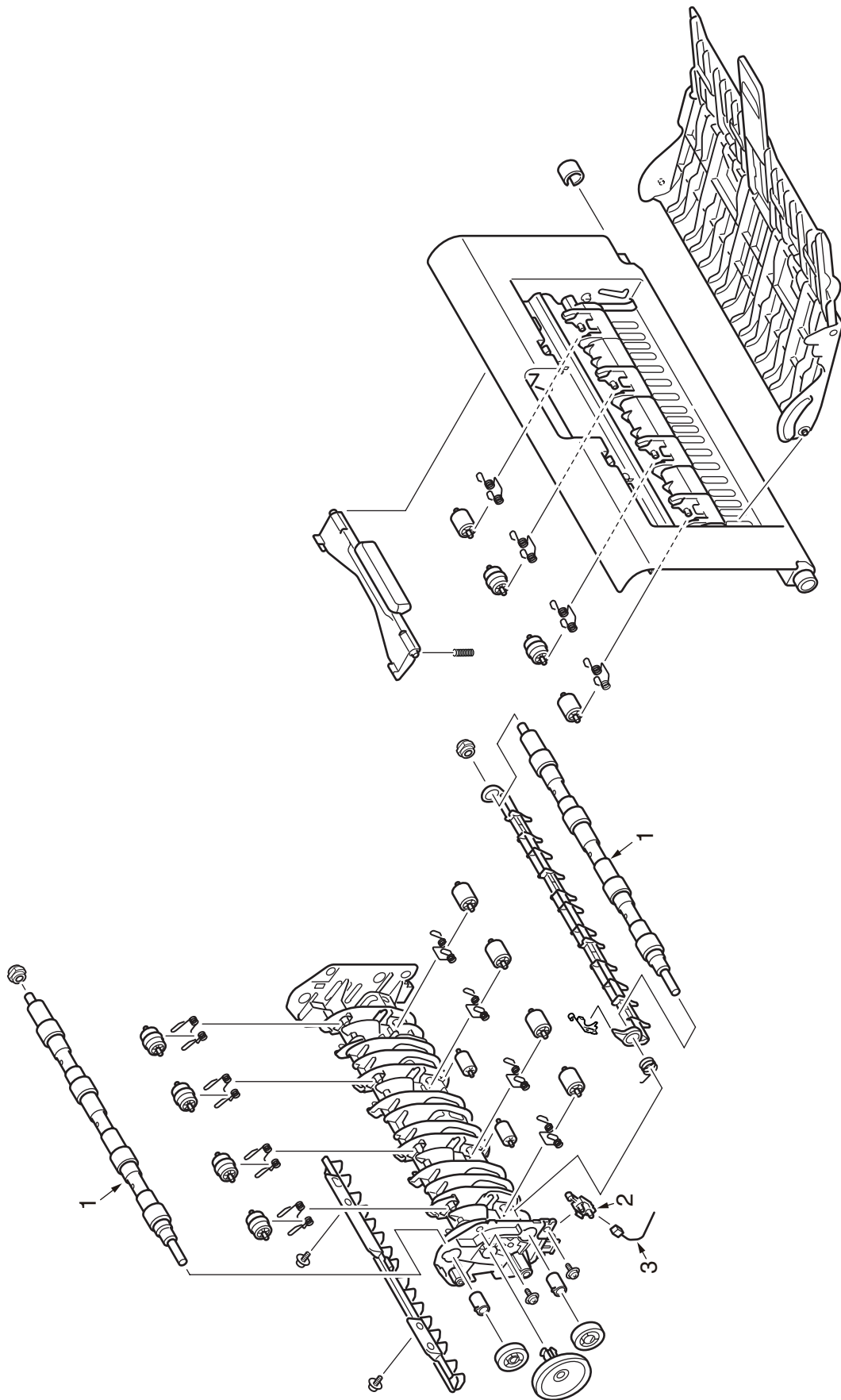
### Guide-Eject-Lower-Assy



Unit Name	No.	P/N	Part Name	Qty	500	1000	2000	Remarks
Guide-Assy-Eject-L	1	45723601	GP1A173LCS3F	1	1	1	1	
Guide-Assy-Eject-L	2		CONN Cord-JST3P-AMP3P	1	1	1	1	
Guide-Assy-Eject-L	3	44365701	Lever-Sensor_Exit	1	1	1	1	
Guide-Assy-Eject-L	4	44365901	Spring-Sensor_Exit	1	1	1	1	

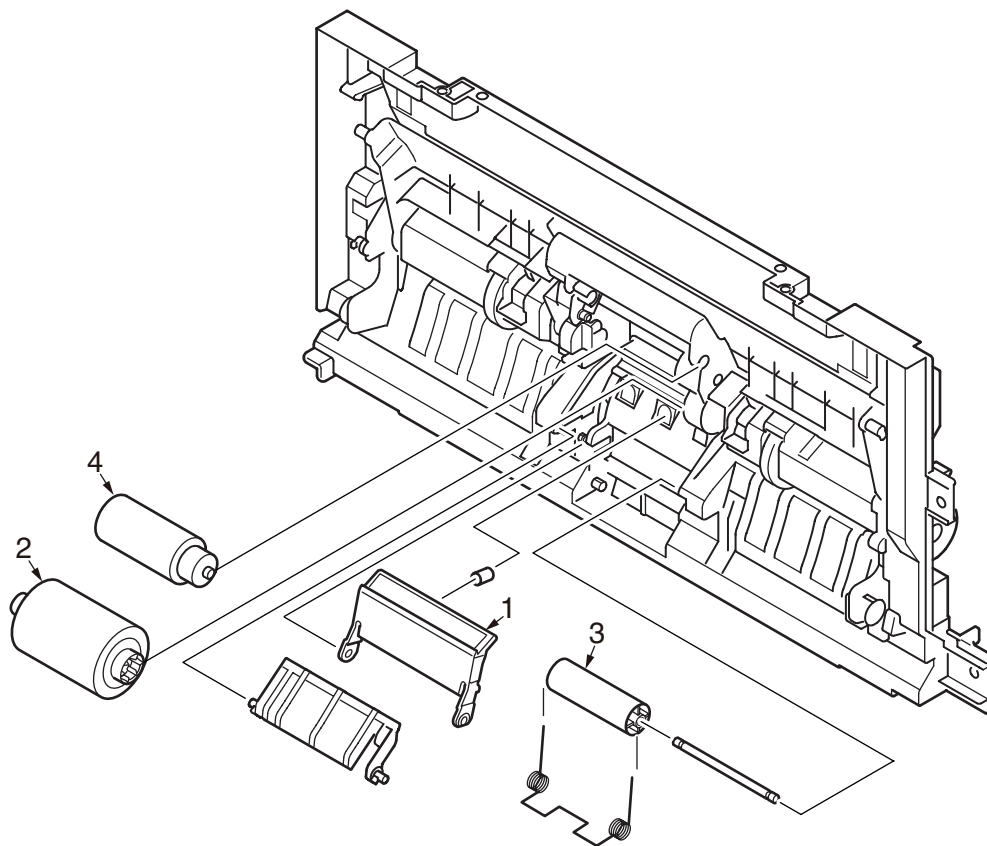


# Frame-Assy-Rear



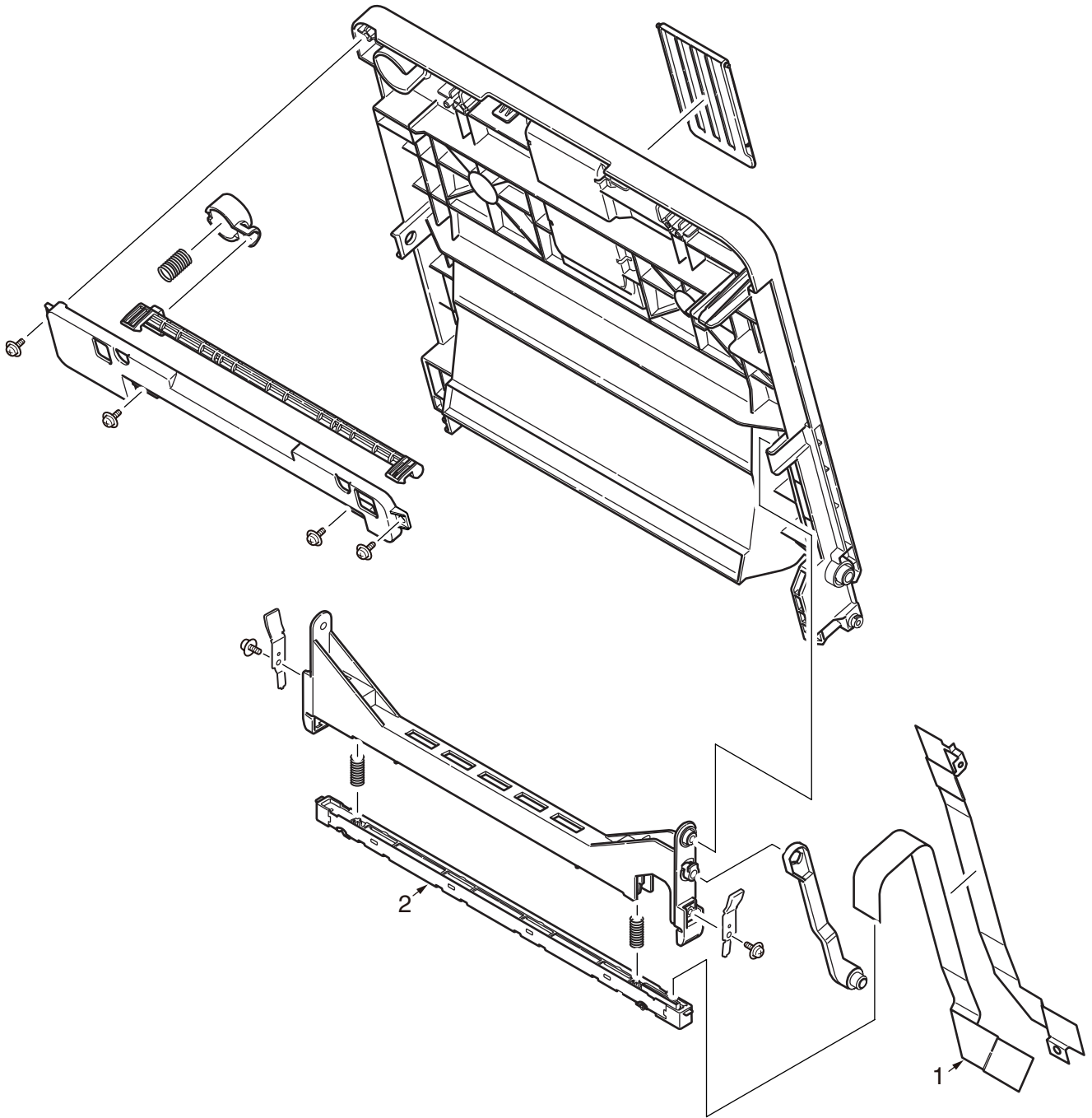
Unit Name	No.	P/N	Part Name	Qty	500	1000	2000	Remarks
Frame-Assy-Rear	1	44364301	Shaft-Assy.-Eject	2	1	1	1	
Frame-Assy-Rear	2		D2X-C	1	1	1	1	
Frame-Assy-Rear	3		CONN Cord-AMP2P-AMP2P	1	1	1	1	

# Frame-Assy-MPT

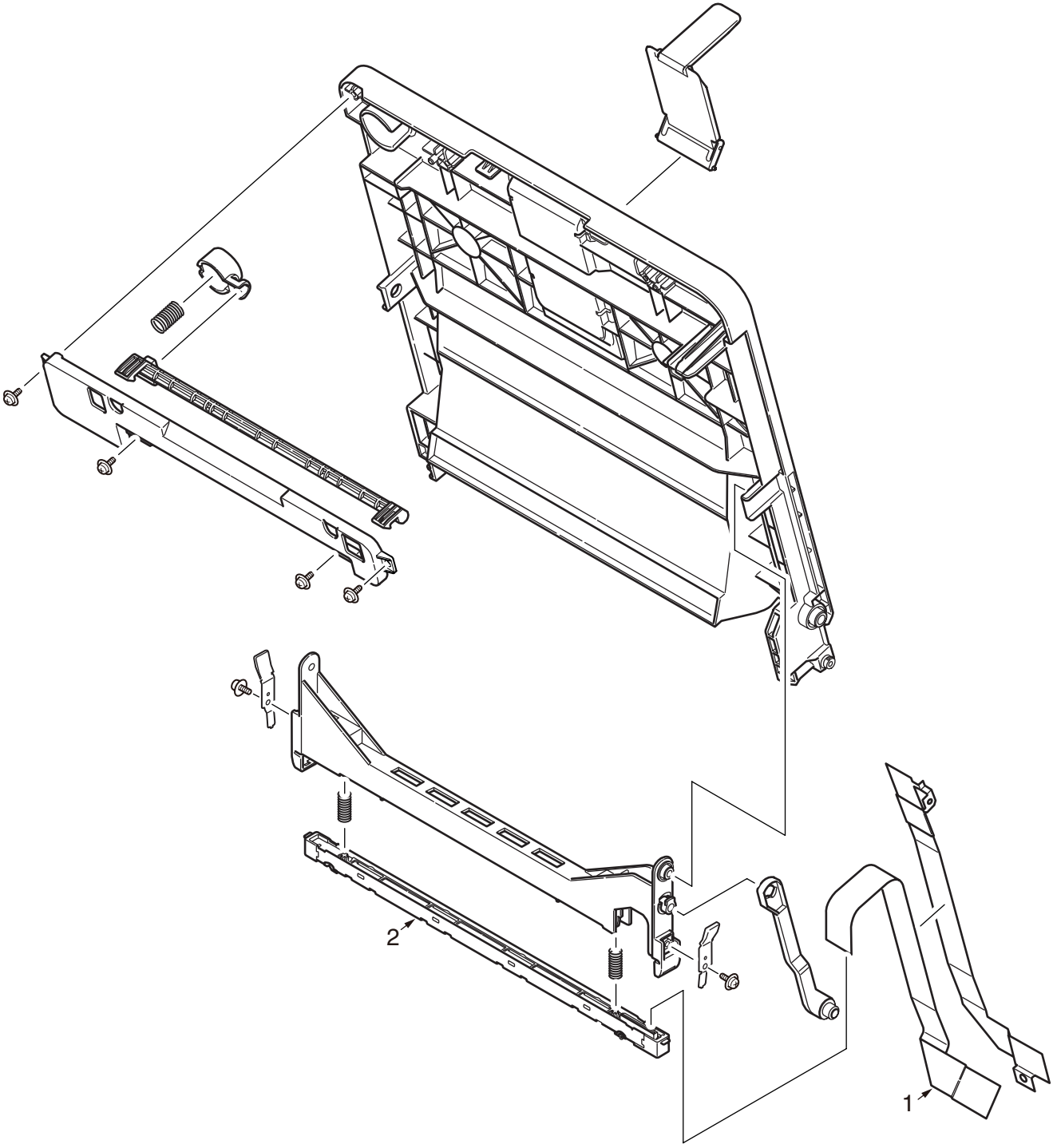


Unit Name	No.	P/N	Part Name	Qty	500	1000	2000	Remarks
Frame Assy.-MPT	1	43922401	Frame Assy.-Separator	1	1	1	1	
Frame Assy.-MPT	2	43922301	Roller-Assy-MPT	1	1	1	2	
Frame Assy.-MPT	3	43355101	Roller-Pinch	1	1	1	1	
Frame Assy.-MPT	4	43417901	Roller-Assy.-Pickup	1	1	1	1	

### Cover-Assy-Stacker (MB472)

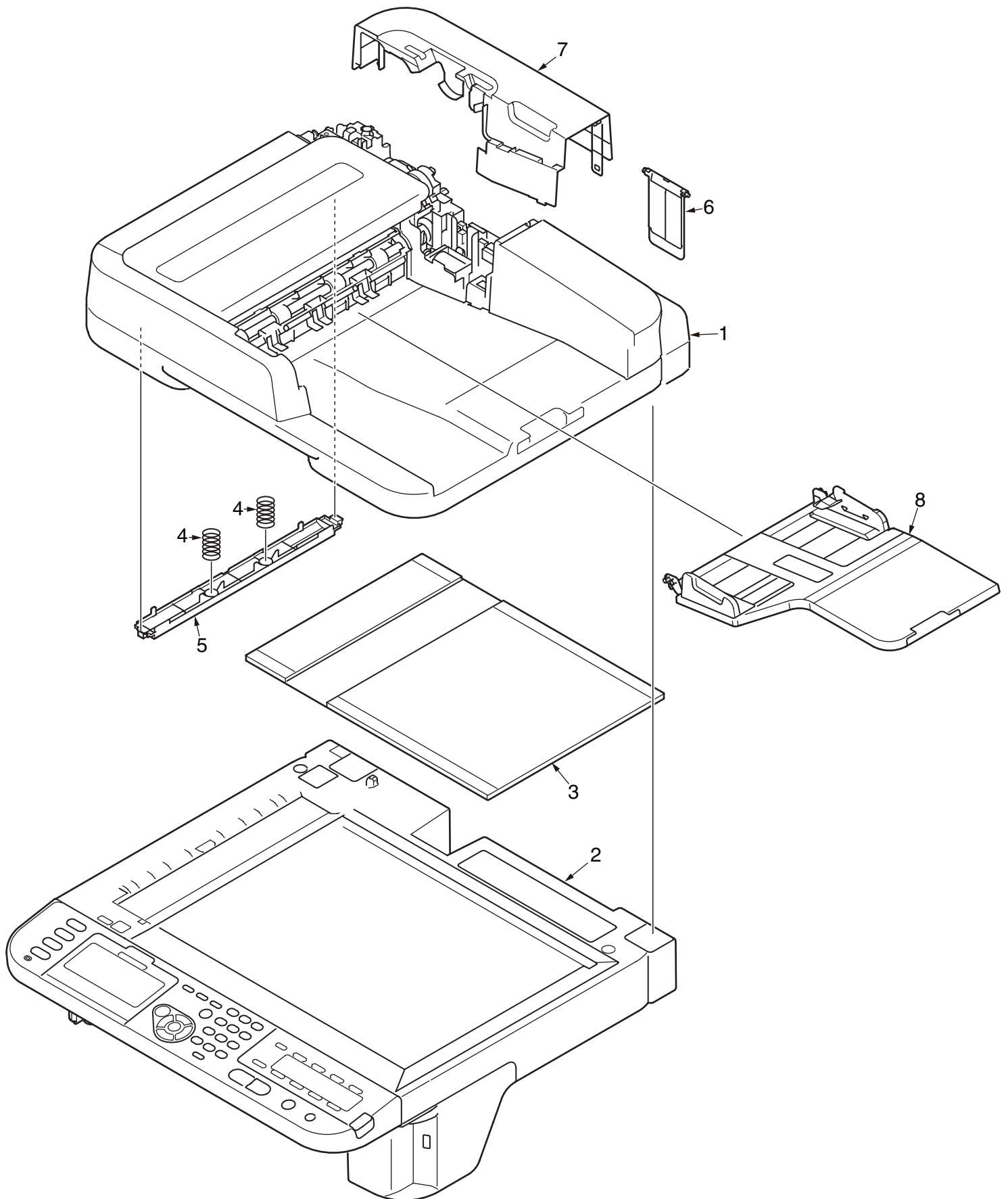


Cover-Assy-Stacker (MB492/MB562/ES4192/ES5162)



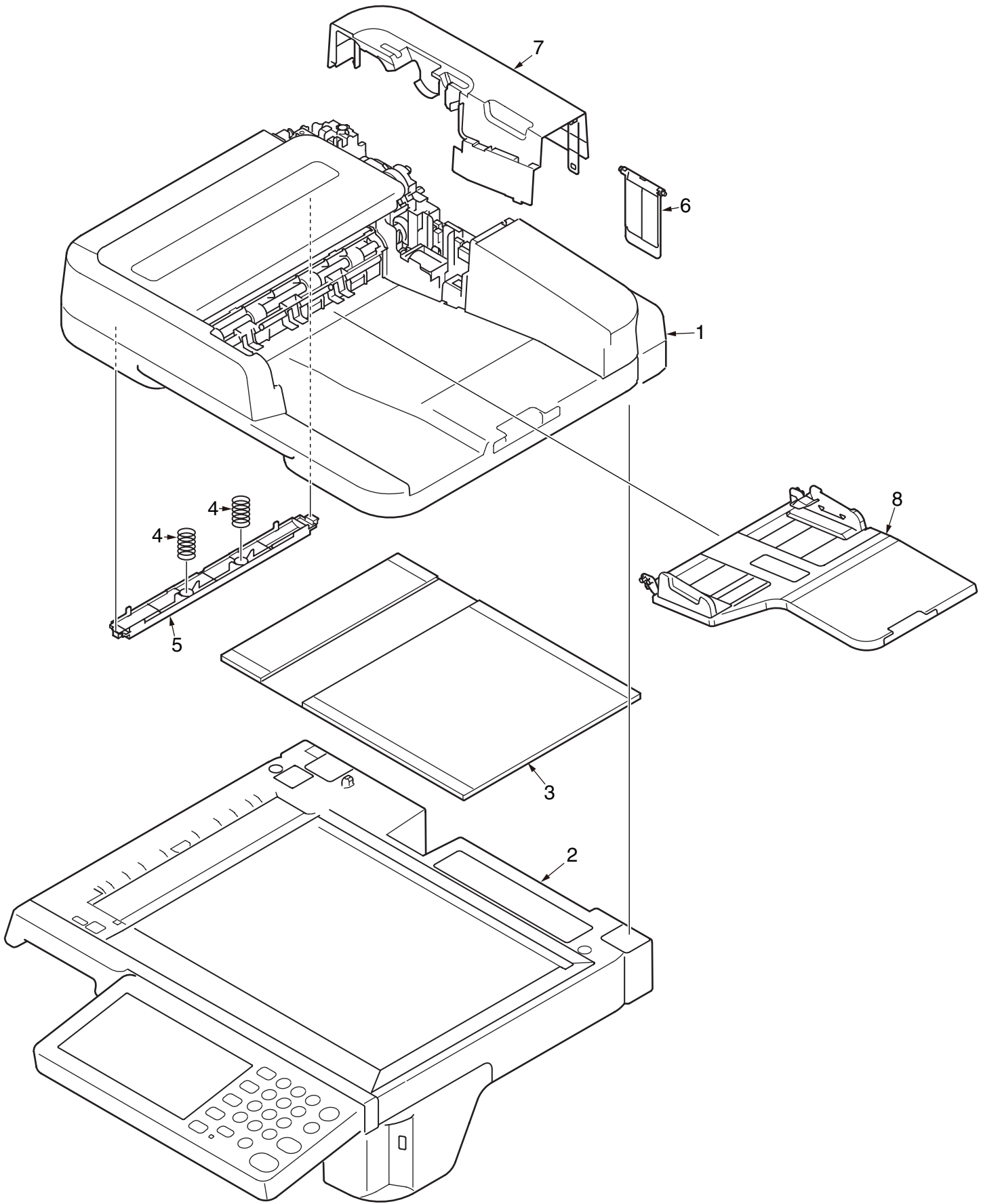
Unit Name	No.	P/N	Part Name	Qty	500	1000	2000	Remarks
Cover-Assy-Stacker	1		Cable-FFC-20P(Add)(FN296/7)	1	1	1	1	
Cover-Assy-Stacker	2	44557701	LED Head Unit-61TRA	1	1	1	1	

### Scanner-Unit(MB472)



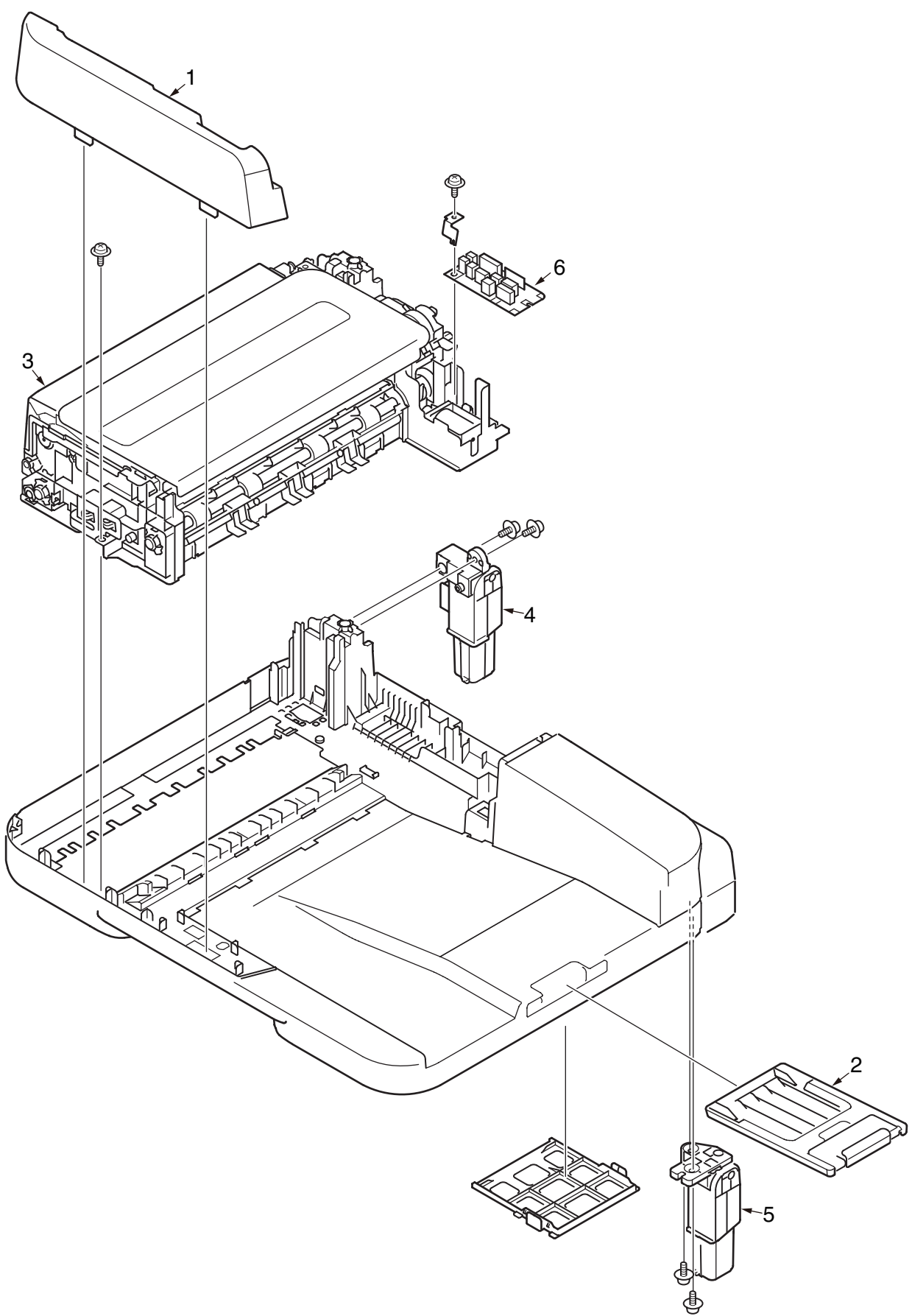


### Scanner-Unit(MB492/MB562/ES4192/ES5162)



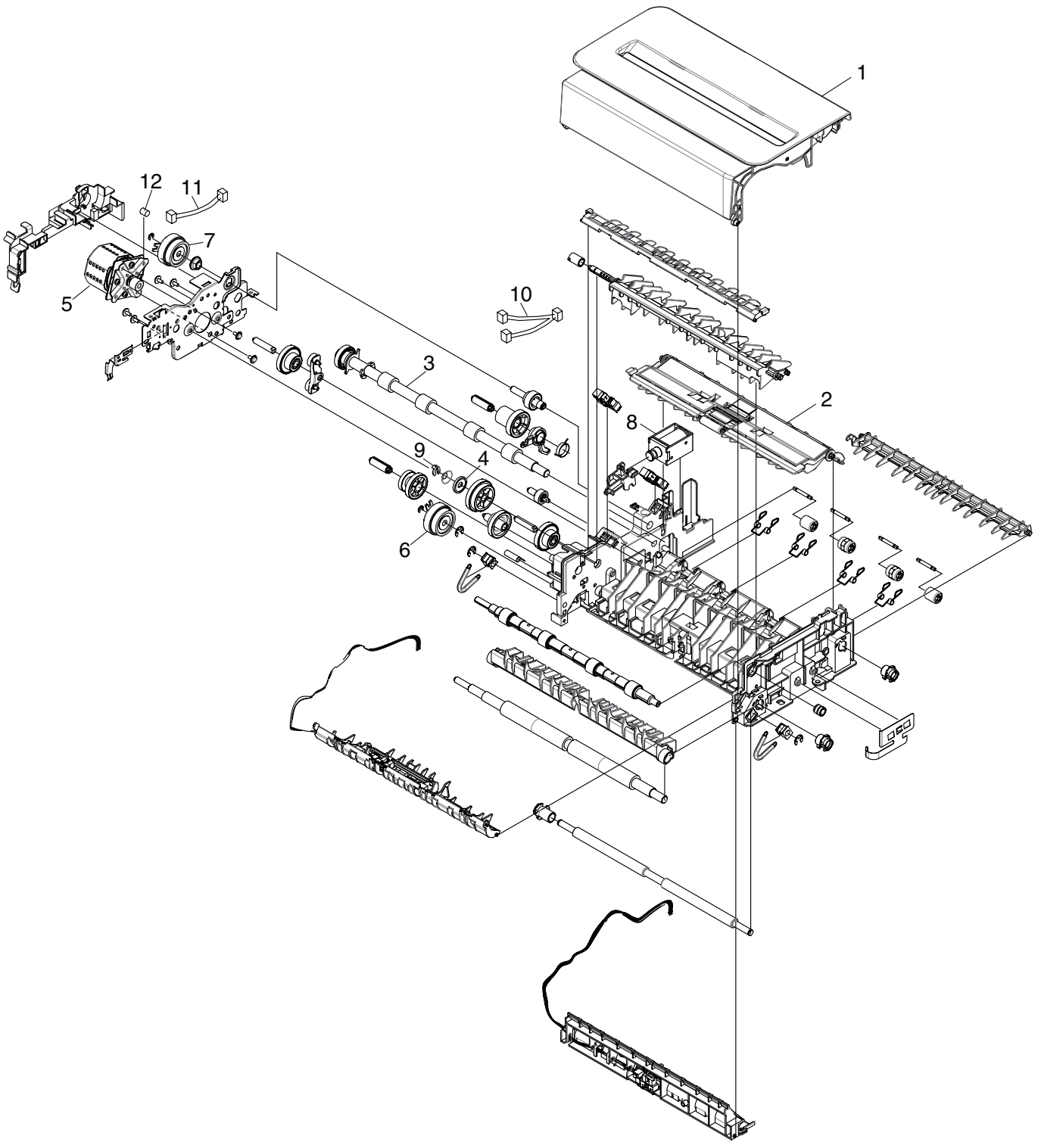
Unit Name	No.	P/N	Part Name	Qty	500	1000	2000	Remarks
Scanner-Unit	1	44801012	ADF-Maintenance-Unit(FN296/7)	1	1	2	4	
Scanner-Unit	2	45880911	Flatbed-Maintenance-Unit (MB472)	1	1	2	4	MB472 except OEL
Scanner-Unit	2	45880913	Flatbed-Maintenance-Unit(7inch OP) (MB492,MB562,ES4192,ES5162)	1	1	2	4	MB492,MB562,ES4192,ES5162 except OEL
Scanner-Unit	3	44659501	Sheet-Document	1	1	1	1	
Scanner-Unit	4	44538001	Spring-PW-ADF	2	1	1	1	
Scanner-Unit	5		Paper-Weight-Assy	1	1	1	1	
Scanner-Unit	6	44540201	Cover-Flap	1	1	1	1	
Scanner-Unit	7	44660001	Cover-ADF-R-Assy	1	1	1	1	
Scanner-Unit	8	44538701	Tray-Assy-Document	1	1	1	1	

### ADF-Unit



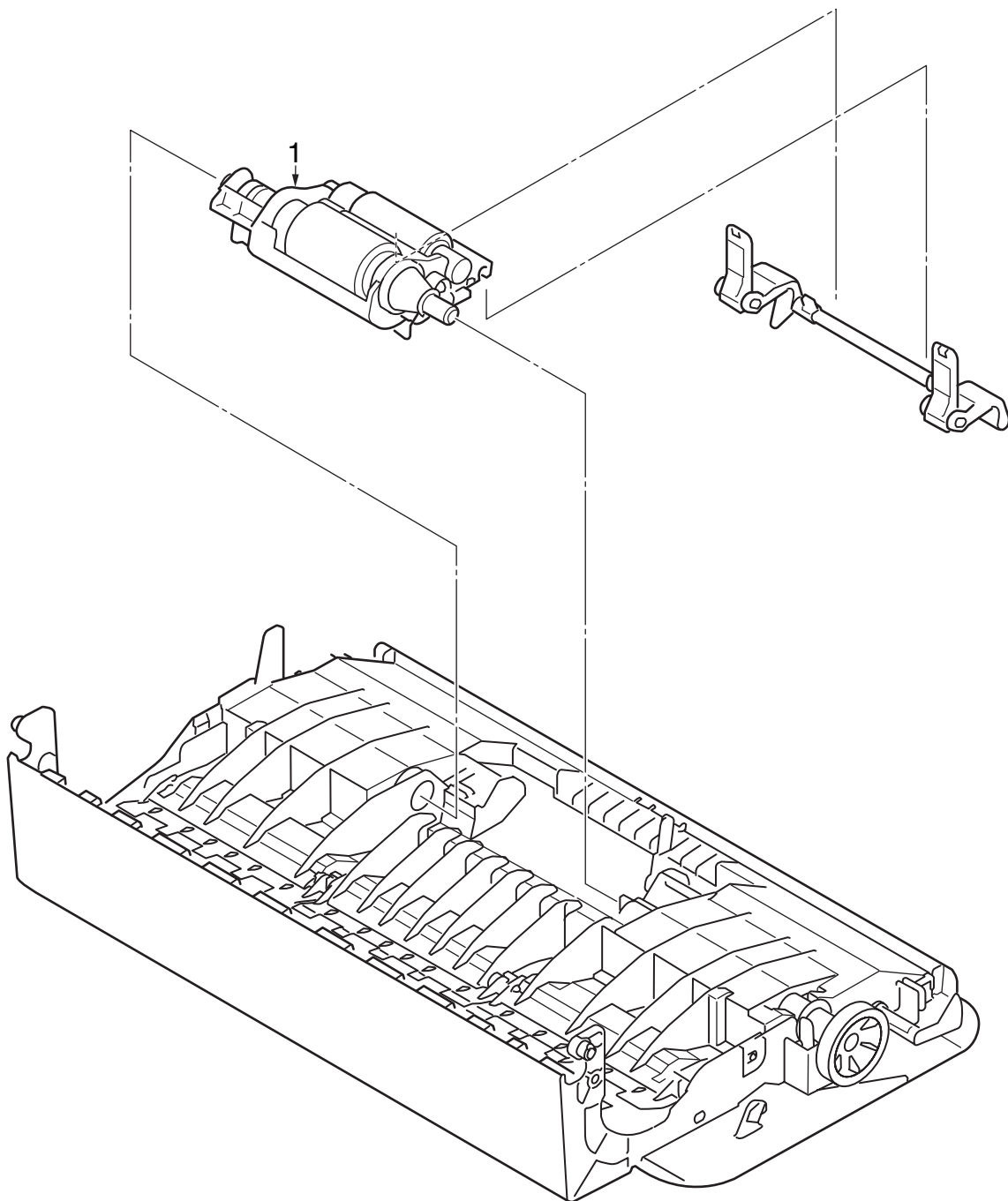
Unit Name	No.	P/N	Part Name	Qty	500	1000	2000	Remarks
ADF-Unit	1	44528901	Cover-ADF-F	1	1	1	1	
ADF-Unit	2	44529101	Guide-Assy-Exit-Sub	1	1	1	1	
ADF-Unit	3		ADF-Assy	1	1	1	1	
ADF-Unit	4	44539301	Hinge-Assy-L	1	1	1	1	
ADF-Unit	5	44539901	Hinge-Assy-R	1	1	1	1	
ADF-Unit	6	44604601	OR-ADF Board(FX750)	1	1	1	1	ADF Board

# ADF-Assy



Unit Name	No.	P/N	Part Name	Qty	500	1000	2000	Remarks
ADF-Assy	1	44530102	Cover-Assy-Top-ADF	1	1	1	1	
ADF-Assy	2	44532402	Guide-Assy-A	1	1	1	1	
ADF-Assy	3	44534901	Roller-Assy-Eject-ADF	1	1	1	1	
ADF-Assy	4	44531701	Washer-A	1	1	1	1	
ADF-Assy	5	44875901	Motor-KTL40M	1	1	1	1	ADF-Motor
ADF-Assy	6	44261401	Clutch	1	1	2	4	ADF-Reg-CL
ADF-Assy	7	44261406	Clutch-3.5	1	1	1	1	ADF-Hop-CL
ADF-Assy	8	42058303	Solenoid	1	1	2	4	ADF-Sol
ADF-Assy	9	44531801	Retainer-4	1	1	1	1	
ADF-Assy	10	44595201	CONN Cord-AMP3P-AMP3P-AMP6P	1	1	1	1	ADF-Cover/Set SNS
ADF-Assy	11		CONN Cord-AMP4P-JST4P	1	1	1	1	ADF-Motor
ADF-Assy	12		Spring-FG-Motor	1	1	1	1	

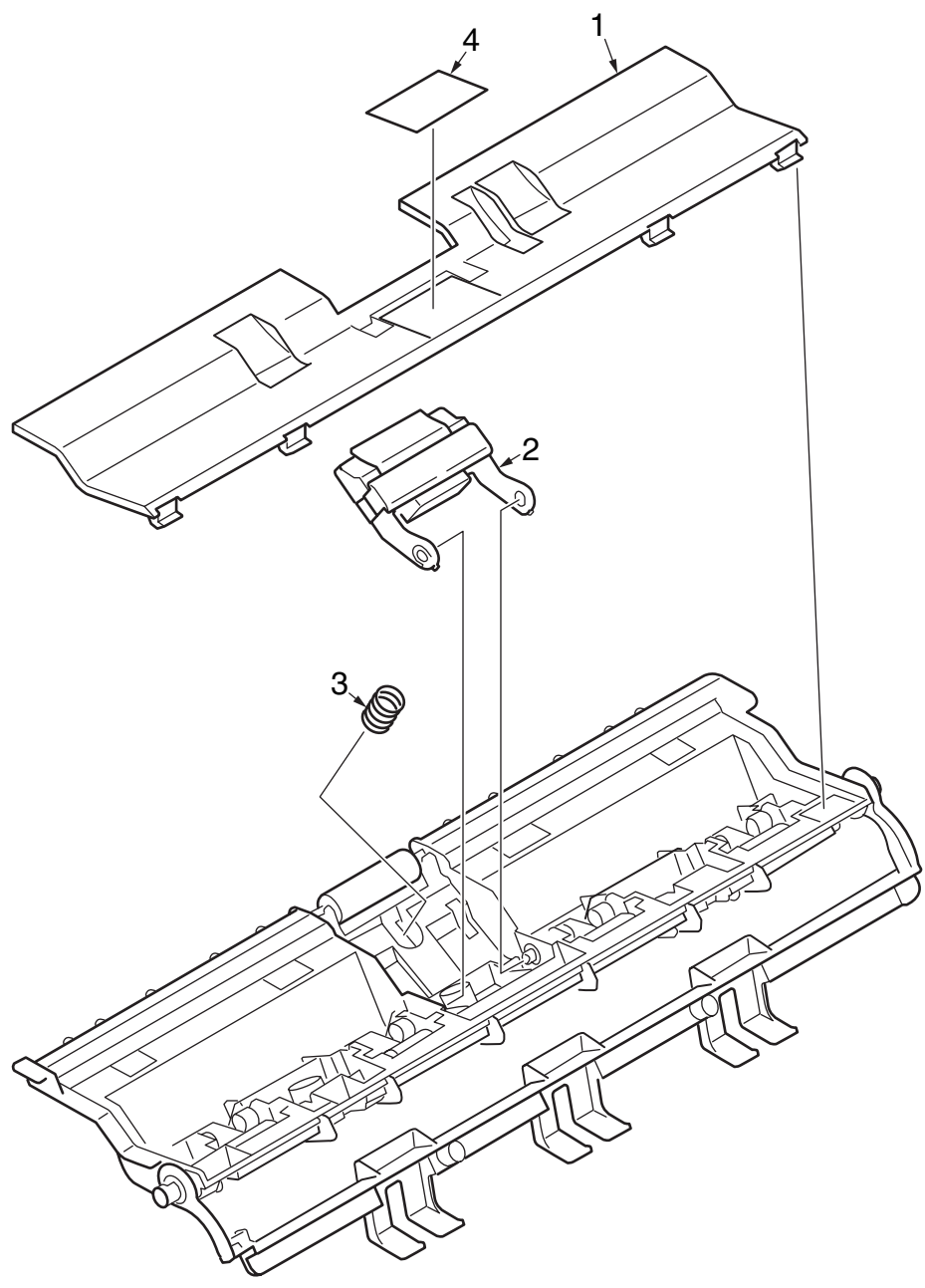
### Cover-Assy-Top-ADF



Unit Name	No.	P/N	Part Name	Qty	500	1000	2000	Remarks
Cover-Assy-Top-ADF	1	44912501	Frame-Assy-Hopping-ADF	1	1	1	2	

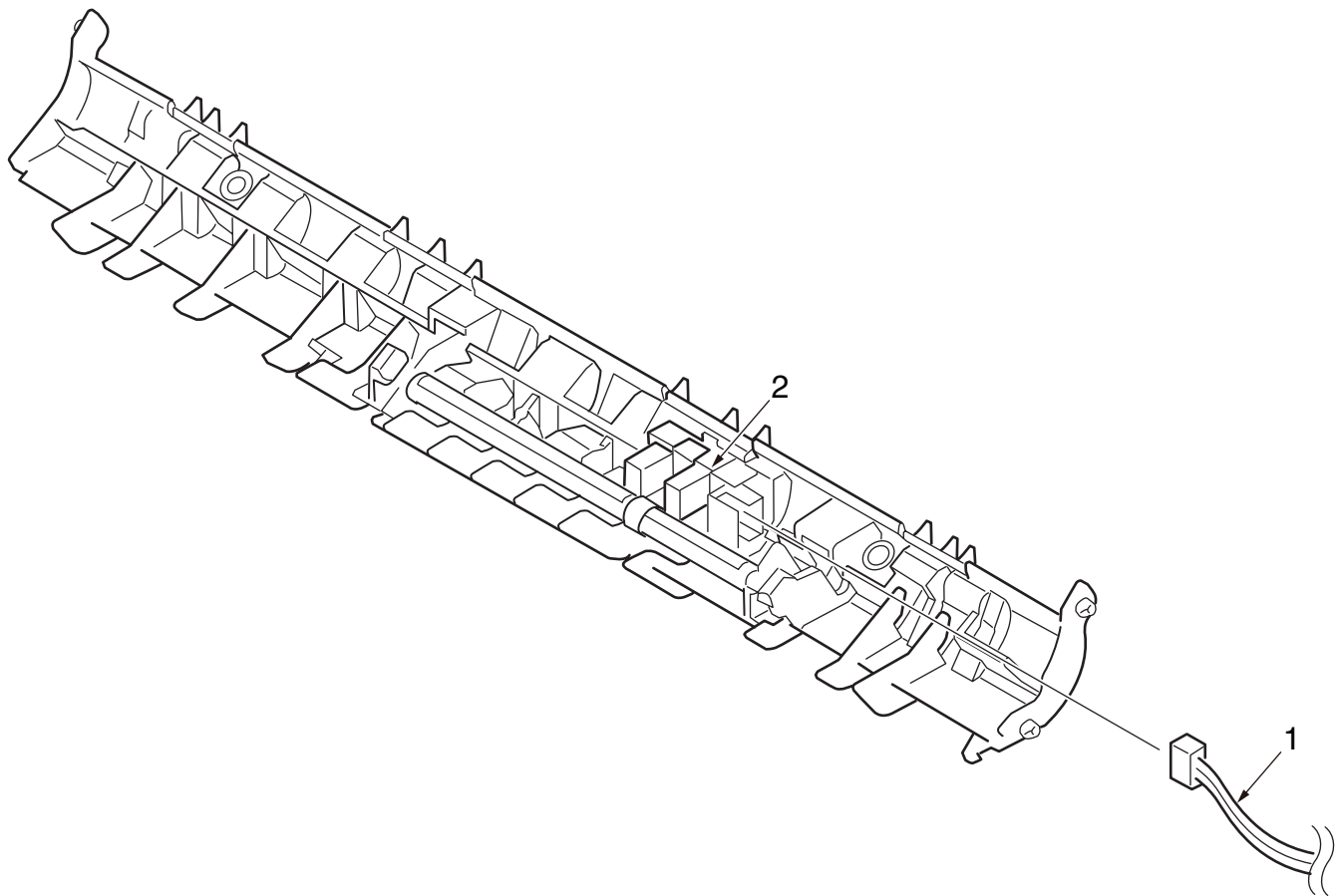


### Guide-Assy-A



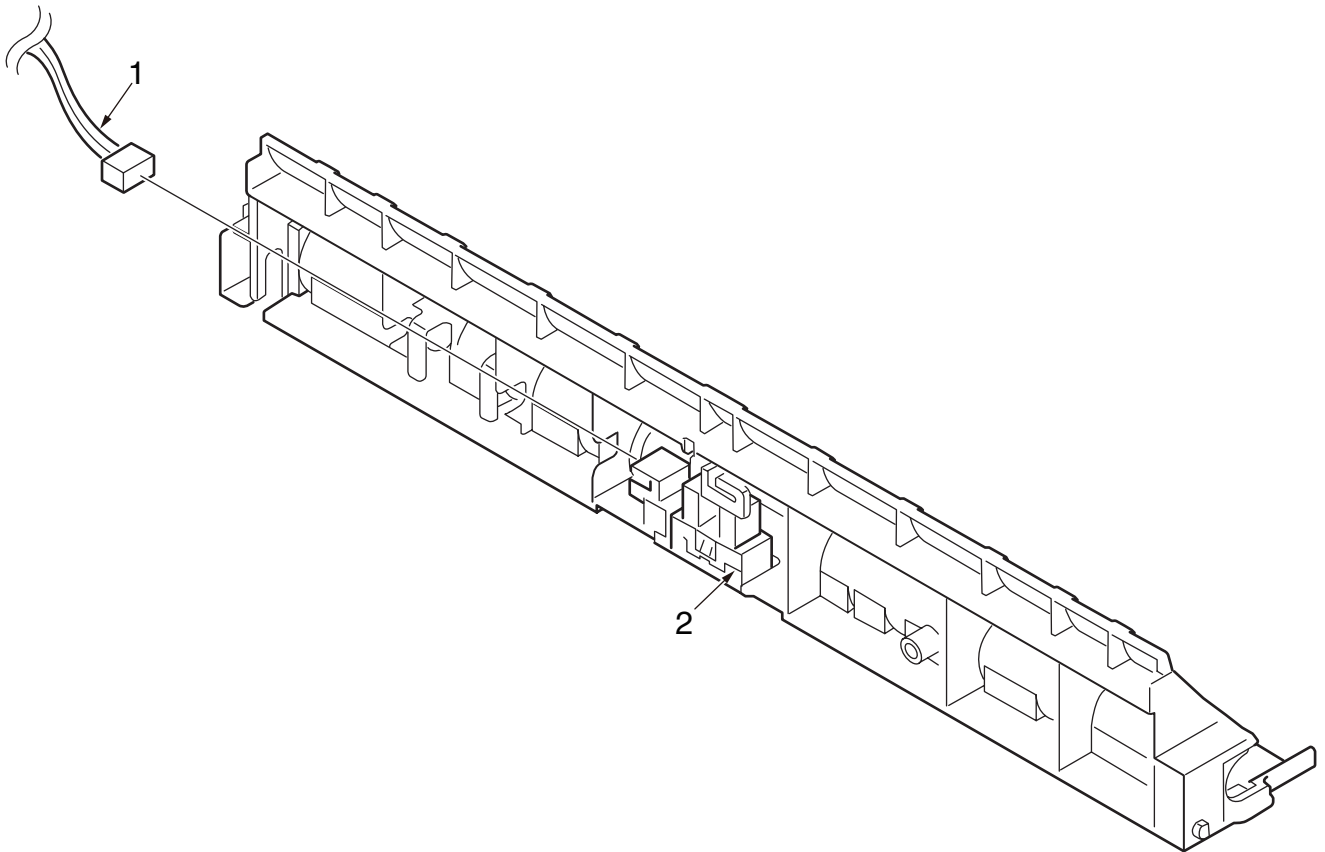
Unit Name	No.	P/N	Part Name	Qty	500	1000	2000	Remarks
Guide-Assy-A	1	44532601	Guide-A-Sub	1	1	1	1	
Guide-Assy-A	2	44532702	Frame-Assy-Separator	1	1	1	1	
Guide-Assy-A	3	44533001	Spring-Separator	1	1	1	1	
Guide-Assy-A	4	44533301	Rubber-Friction	1	1	1	1	

### Guide-Assy-C



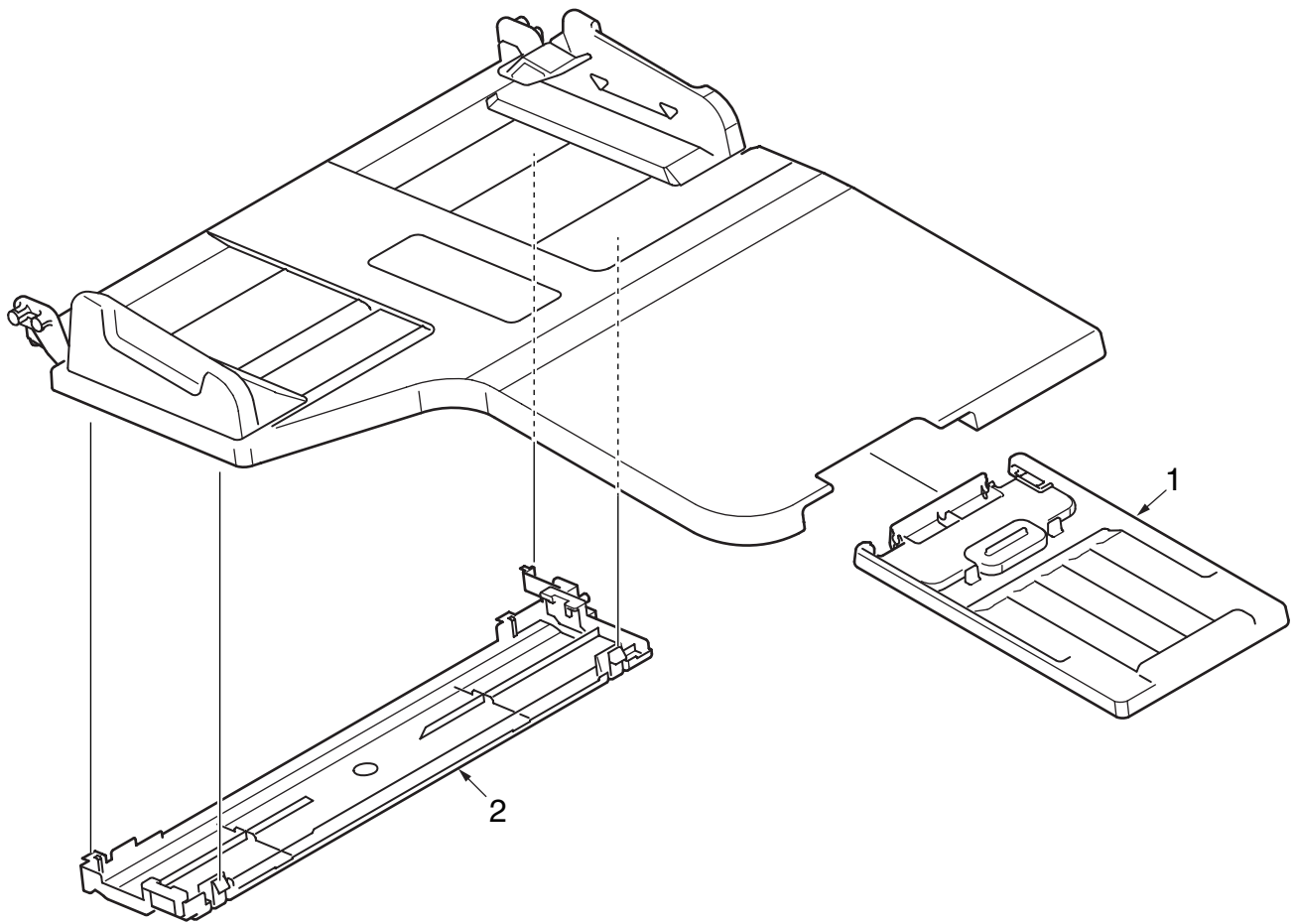
Unit Name	No.	P/N	Part Name	Qty	500	1000	2000	Remarks
Guide-Assy-C	1	44595301	CONN Cord-AMP3P-JST3P	1	1	1	1	ADF-Rev SNS

### Guide-Assy-D



Unit Name	No.	P/N	Part Name	Qty	500	1000	2000	Remarks
Guide-Assy-D	1	44595401	CONN Cord-AMP3P-AMP3P	1	1	1	1	ADF-Reg SNS

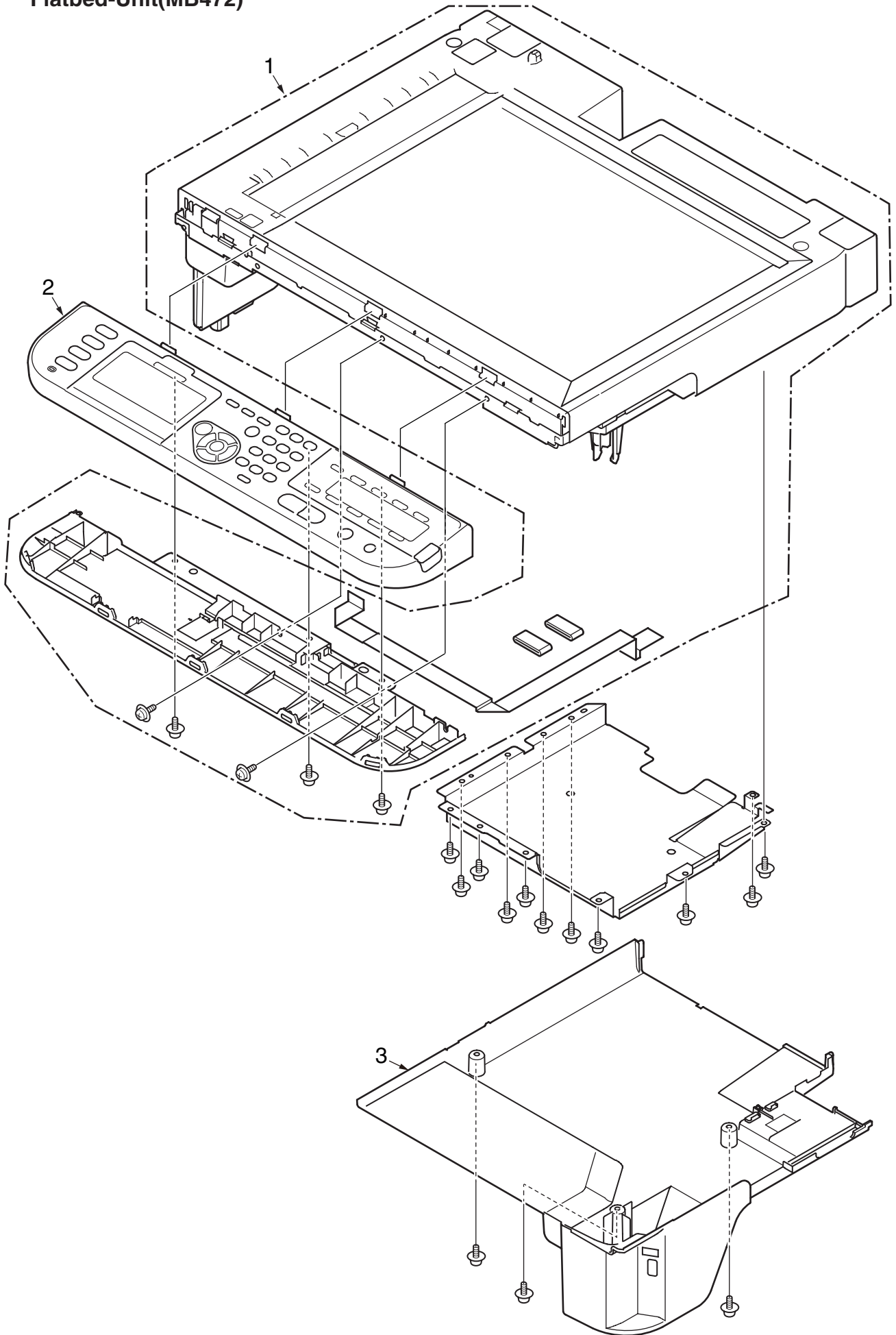
# Tray-Assy-Document



Unit Name	No.	P/N	Part Name	Qty	500	1000	2000	Remarks
Tray-Assy-Document	1	44529201	Tray-Document-Sub	1	1	1	1	
Tray-Assy-Document	2		Cover-Tray-Assy	1	1	1	1	

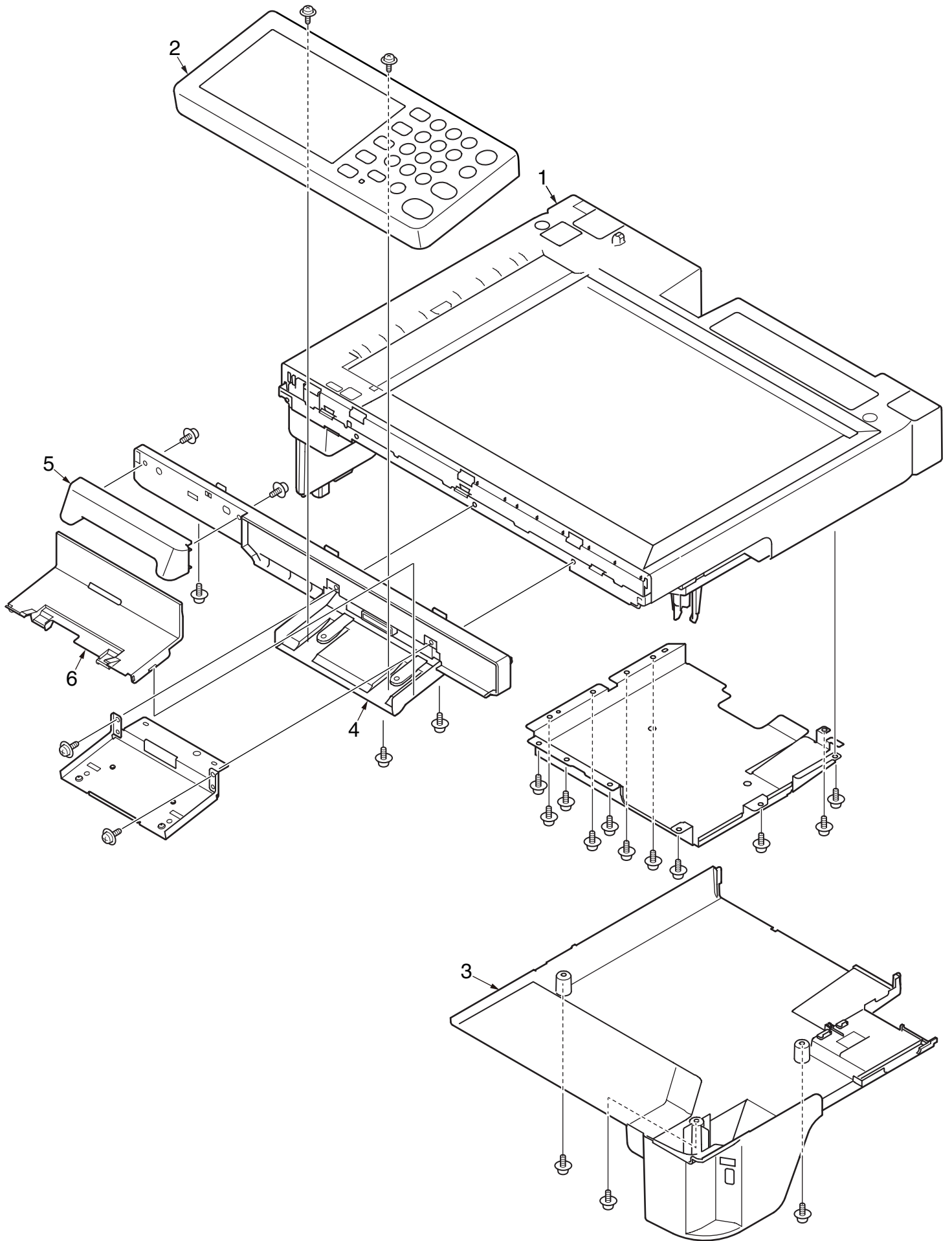


### Flatbed-Unit(MB472)



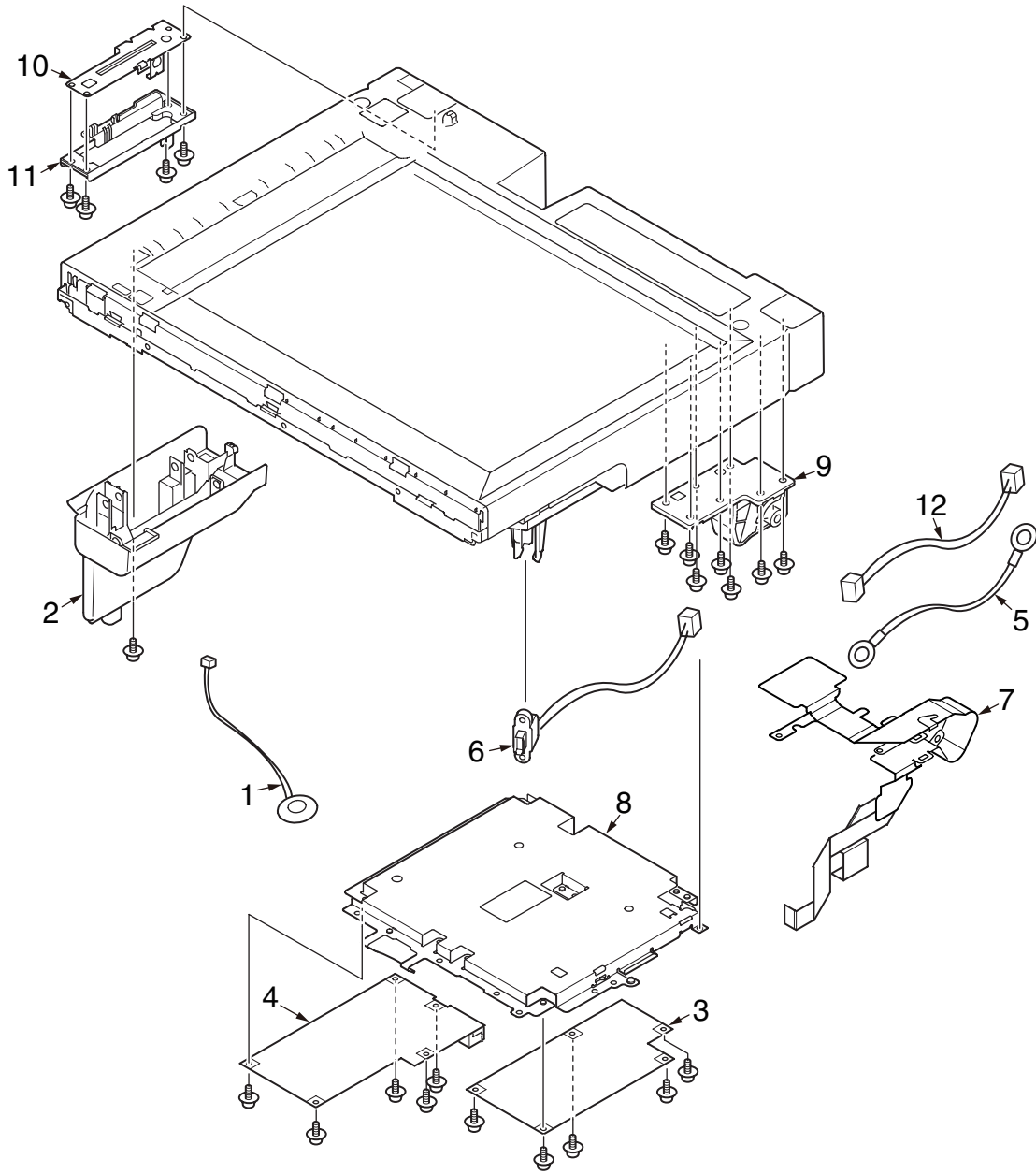
Unit Name	No.	P/N	Part Name	Qty	500	1000	2000	Remarks
Flatbed-Unit(MB472)	1	45880921	Frame-Assy-FB-Maintenance-Unit (MB472)	1	1	2	4	MB472 except OEL
Flatbed-Unit(MB472)	2	44596814	Frame-Assy-OP() (MB472)	1	1	1	2	MB472
Flatbed-Unit(MB472)	3		Cover-Bottom (MB472)	1	1	1	1	MB472

### Flatbed-Unit(MB492/MB562/ES4192/ES5162)



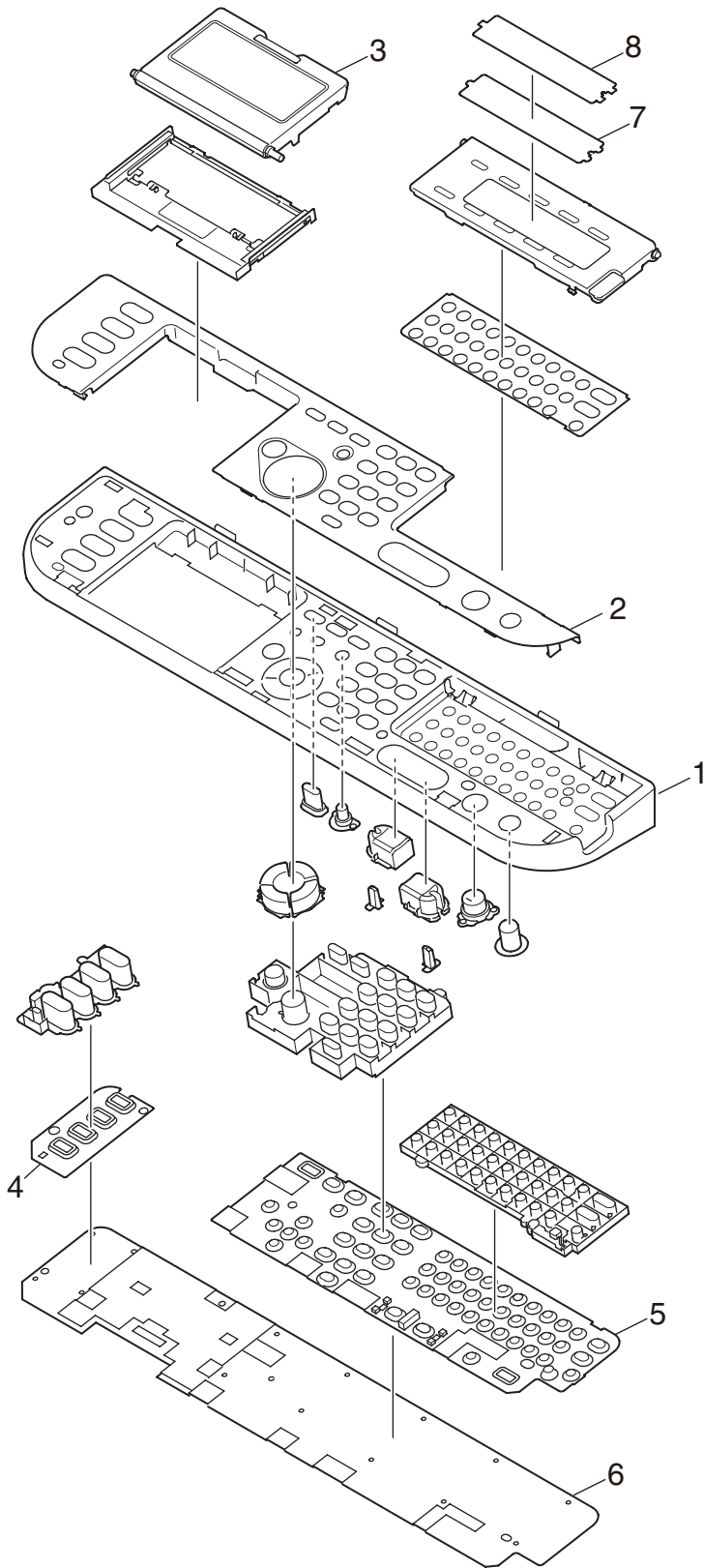
Unit Name	No.	P/N	Part Name	Qty	500	1000	2000	Remarks
Flatbed-Unit(MB492)	1	45880923	Frame-Assy-FB-Maintenance-Unit(7"OP) (MB492,MB562,ES4192,ES5162)	1	1	2	4	MB492,MB562,ES4192,ES5162 except OEL
Flatbed-Unit(MB492)	2	45765501	Frame-Assy-OP(7inch) (MB492,MB562,ES4192,ES5162)	1	1	1	2	MB492,MB562,ES4192,ES5162
Flatbed-Unit(MB492)	3		Cover-Bottom (MB492,MB562,ES4192,ES5162)	1	1	1	1	MB492,MB562,ES4192,ES5162
Flatbed-Unit(MB492)	4		Cover-OP (MB492,MB562,ES4192,ES5162)	1	1	1	1	MB492,MB562,ES4192,ES5162
Flatbed-Unit(MB492)	5		Handle-Scanner (MB492,MB562,ES4192,ES5162)	1	1	1	1	MB492,MB562,ES4192,ES5162
Flatbed-Unit(MB492)	6		Cover-OP(Sub) (MB492,MB562,ES4192,ES5162)	1	1	1	1	MB492,MB562,ES4192,ES5162

# Frame-Assy-FB



Unit Name	No.	P/N	Part Name	Qty	500	1000	2000	Remarks
Frame-Assy-FB	1		Speaker Assy.	1	1	1	1	
Frame-Assy-FB	2		Cover-Side-LFW	1	1	1	1	
Frame-Assy-FB	3	45762401	OR-Board-MSU	1	1	2	4	SU Board
Frame-Assy-FB	4	45885104	OR-Board-FXS	1	1	2	4	FAX Board
Frame-Assy-FB	4	45885101	Board-FXS Maintenance Board	1	1	2	4	FAX Board to OEL
Frame-Assy-FB	5		CONN Cord-JST1P-JST1P	1	1	1	1	
Frame-Assy-FB	6		CONN Cord-USB	1	1	1	1	
Frame-Assy-FB	7		Cable-SU-M(Bend)	1	1	1	1	
Frame-Assy-FB	8		Plate-Board(SU)	1	1	1	1	
Frame-Assy-FB	9		Cam-Hinge	1	1	1	1	
Frame-Assy-FB	10		Plate-Hinge-L(Caulking)	1	1	1	1	
Frame-Assy-FB	11		Cover-Hinge(L)	1	1	1	1	
Frame-Assy-FB	12		CONN Cord-ADF-SU	1	1	1	1	

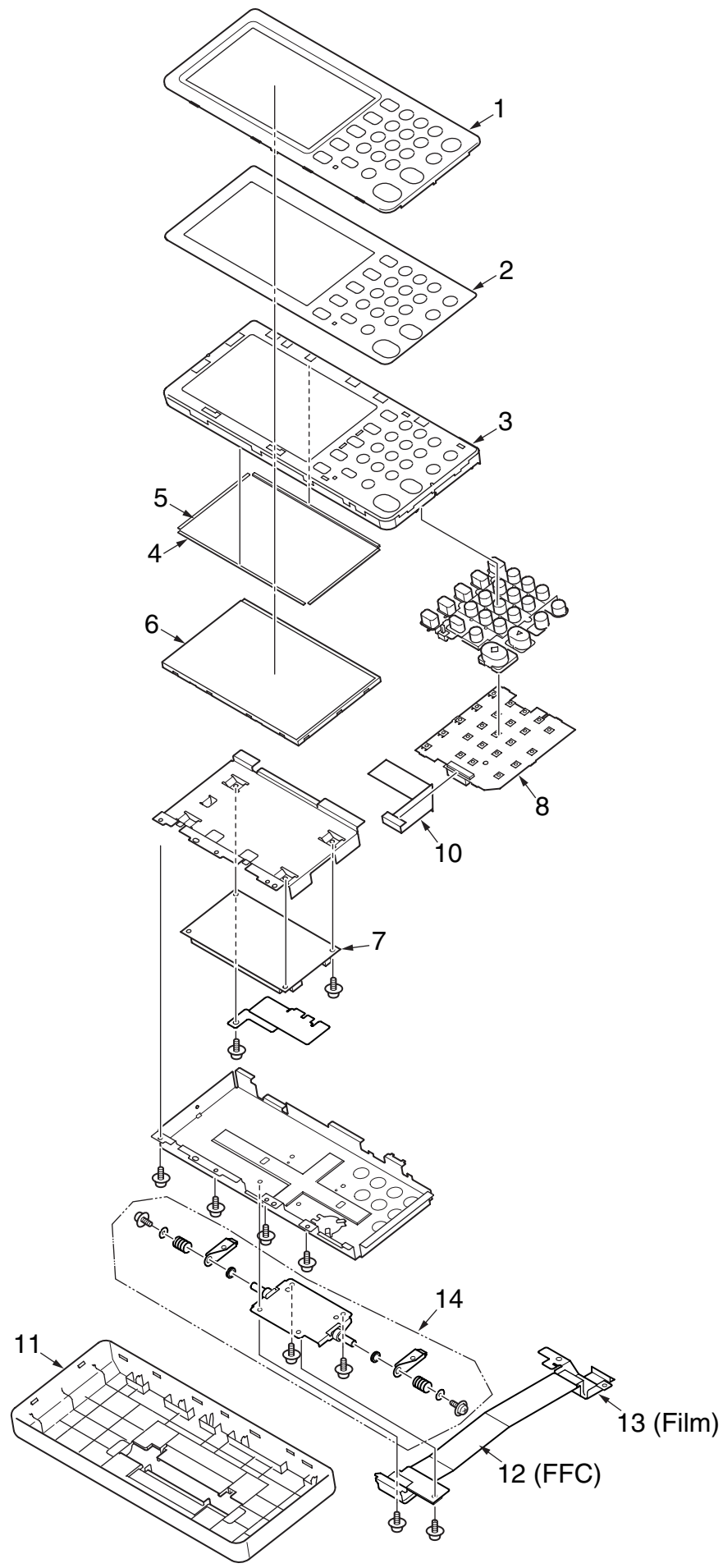
### Frame-Assy-OP(MB472)



Unit Name	No.	P/N	Part Name	Qty	500	1000	2000	Remarks
Frame-Assy-OP(MB472)	1		Frame-OP-Panel(A) (MB472)	1	1	1	1	MB472
Frame-Assy-OP(MB472)	2		Cover-OP-Panel(A) (MB472)	1	1	1	1	MB472
Frame-Assy-OP(MB472)	3		LCD-Assy (MB472)	1	1	1	1	MB472
Frame-Assy-OP(MB472)	4		Rubber-Pad(L) (MB472)	1	1	1	1	MB472
Frame-Assy-OP(MB472)	5		Rubber-Pad® (MB472)	1	1	1	1	MB472
Frame-Assy-OP(MB472)	6	44604302	OR-OPE Board-2 (MB472)	1	1	1	2	MB472
Frame-Assy-OP(MB472)	7		Sheet-One-Touch (MB472)	1	1	1	1	MB472
Frame-Assy-OP(MB472)	8		Flim-One-Touch (MB472)	1	1	1	1	MB472

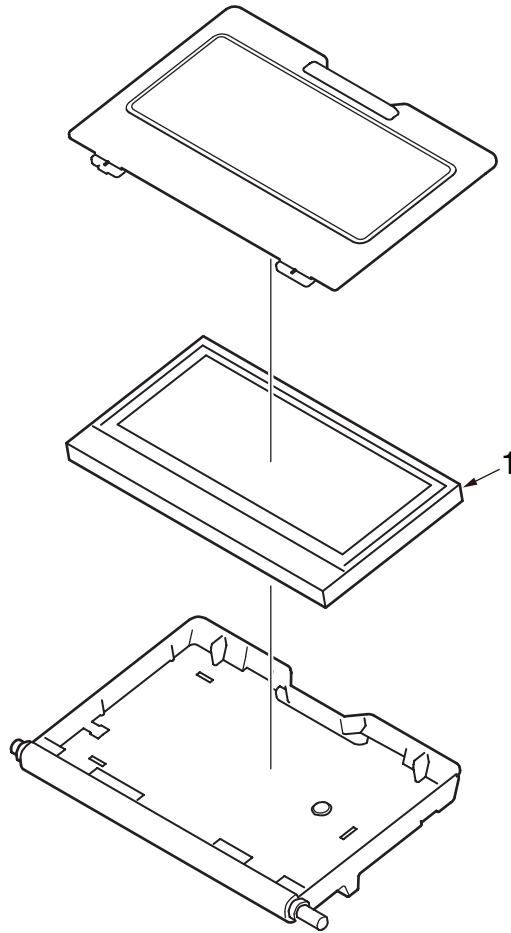


### Frame-Assy-OP(MB492/MB562/ES4192/ES5162)



Unit Name	No.	P/N	Part Name	Qty	500	1000	2000	Remarks
Frame-Assy-OP(MB492)	1		Cover-OP-Top (MB492,MB562,ES4192,ES5162)	1	1	1	1	MB492,MB562,ES4192,ES5162
Frame-Assy-OP(MB492)	2		Sheet-OP (MB492,MB562,ES4192,ES5162)	1	1	1	1	MB492,MB562,ES4192,ES5162
Frame-Assy-OP(MB492)	3		Frame-OP (MB492,MB562,ES4192,ES5162)	1	1	1	1	MB492,MB562,ES4192,ES5162
Frame-Assy-OP(MB492)	4		Sponge-LCD (MB492,MB562,ES4192,ES5162)	1	1	1	1	MB492,MB562,ES4192,ES5162
Frame-Assy-OP(MB492)	5		Sponge-LCD (MB492,MB562,ES4192,ES5162)	1	1	1	1	MB492,MB562,ES4192,ES5162
Frame-Assy-OP(MB492)	7	45763001	OR-Board-TP1 (MB492,MB562,ES4192,ES5162)	1	1	1	2	MB492,MB562,ES4192,ES5162
Frame-Assy-OP(MB492)	8	45763301	OR-Board-THS (MB492,MB562,ES4192,ES5162)	1	1	1	2	MB492,MB562,ES4192,ES5162
Frame-Assy-OP(MB492)	10		Cable-Key(Bend) (MB492,MB562,ES4192,ES5162)	1	1	1	1	MB492,MB562,ES4192,ES5162
Frame-Assy-OP(MB492)	11		Cover-OP-Bottom (MB492,MB562,ES4192,ES5162)	1	1	1	1	MMB492,MB562,ES4192,ES5162
Frame-Assy-OP(MB492)	12		Cord FFC SU-7"TP (MB492,MB562,ES4192,ES5162)	1	1	1	1	MB492,MB562,ES4192,ES5162
Frame-Assy-OP(MB492)	13		Film-FFC(SU-OP)(MB492,MB562,ES4192,ES5162)	1	1	1	1	MB492,MB562,ES4192,ES5162

### LCD-Assy(MB472)



Unit Name	No.	P/N	Part Name	Qty	500	1000	2000	Remarks
LCD-Assy	1		BTG-320128C-FBWAGGA0 (MB472)	1	1	1	1	MB472