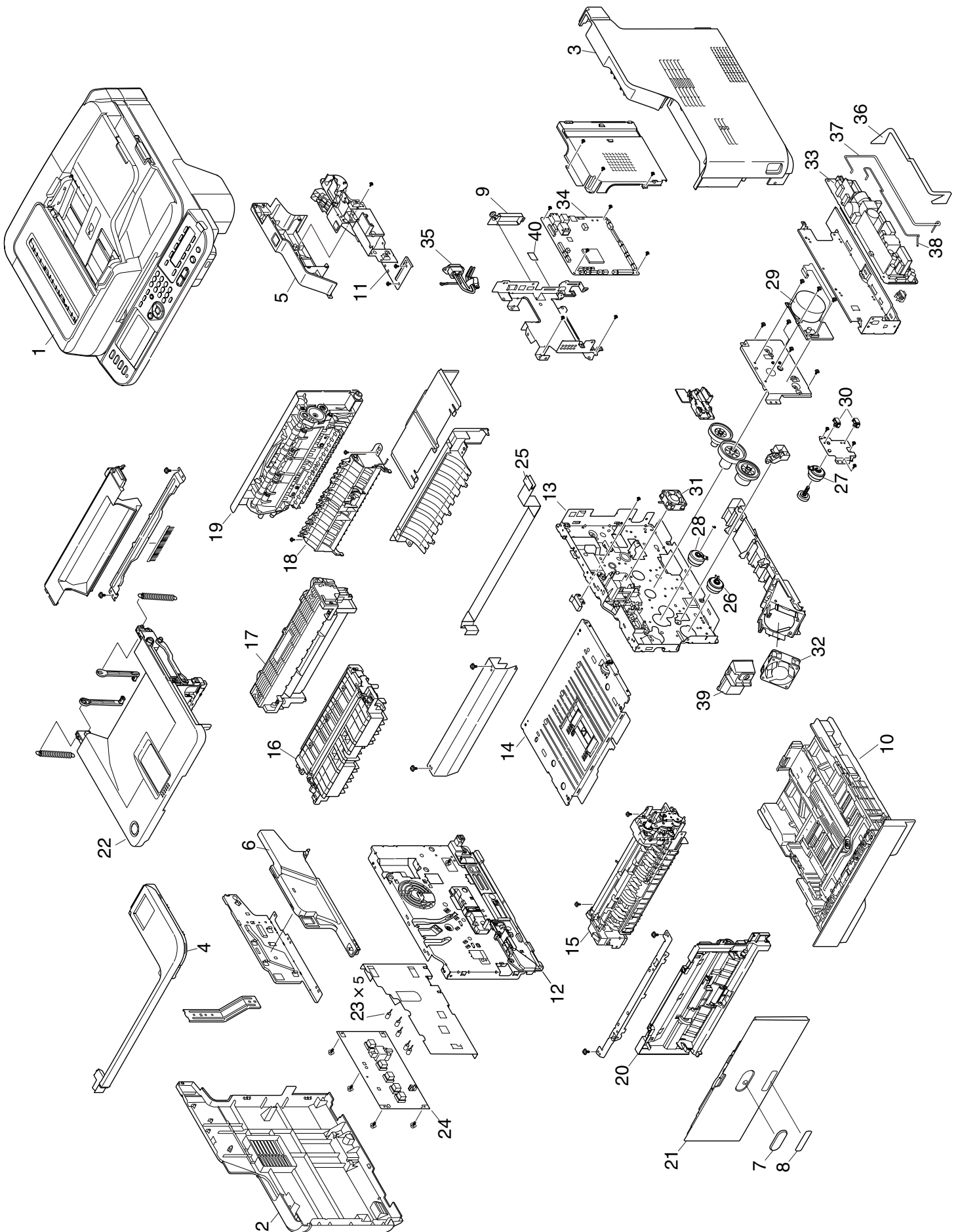


**MB461 / MB471 / MB491
MB491+ / MPS4200mb
Spare Parts
Illustration Manual**

021612A

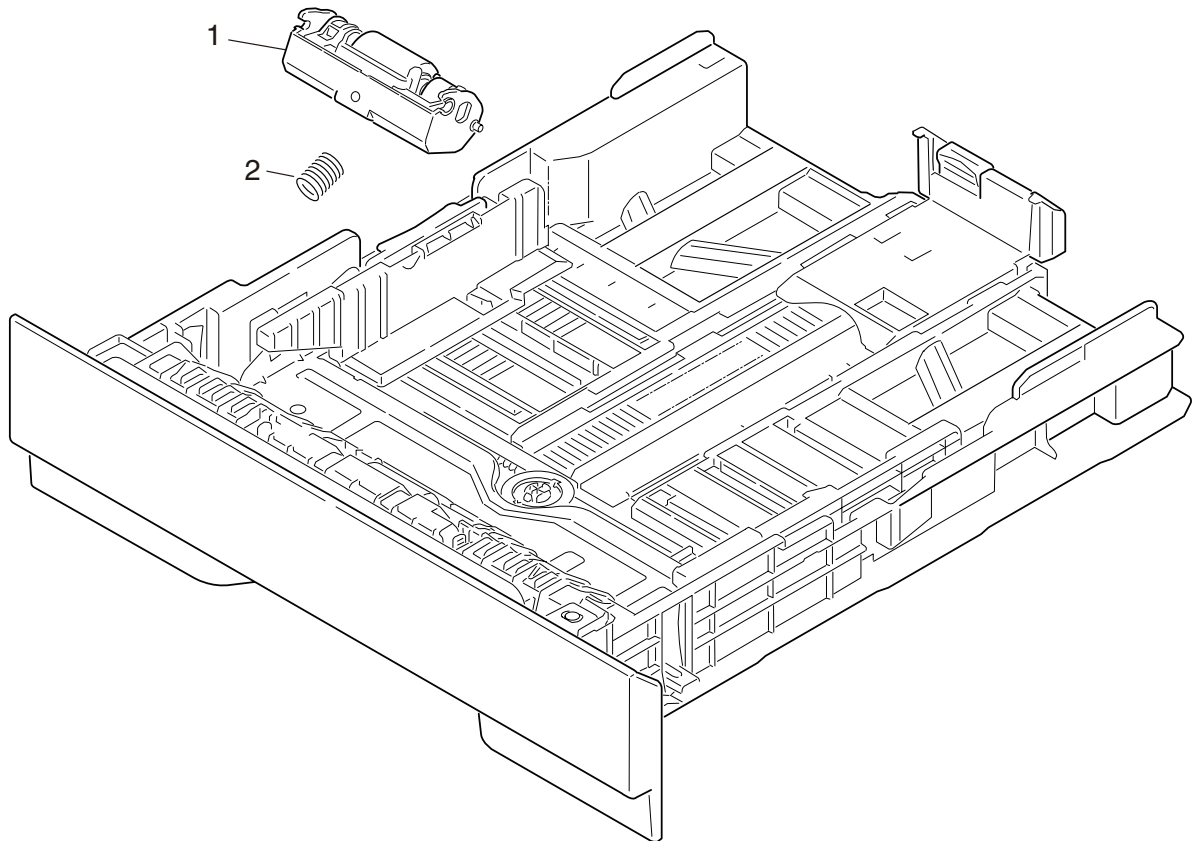
MFP-Unit



No.	Part No.	Part Name	Q'ty /Unit	Recommended Q'ty/Year			Remarks
				per 500	per 1000	per 2000	
1	44801062	Scanner-Maintenance-Unit	1	1	2	4	MB461
1	44801063	Scanner-Maintenance-Unit	1	1	5	4	MB471, MB491
2		Cover-Side(L)	1	1	2	4	
3		Cover-Side(R)	1	1	2	4	
4		Cover-Front(Top)	1	1	2	4	
5		Cover-Stay(R)	1	1	2	4	
6		Cover-Stay(L)	1	1	2	4	
7		Plate-Logo	1	1	2	4	
8		Film-Name	1	1	2	4	MB461
8		Film-Name	1	1	2	4	MB471
8		Film-Name	1	1	2	4	MB491
9		Plate Assy.((Access)	1	1	2	4	MB491 only
10	44559001	Cassette-Assy(250sht)	1	1	2	4	
11		Plate Assy.-Stay(R)	1	1	2	4	
12		Plate-Assy-Side-L	1	1	2	4	
13		Plate-Assy-Side-R	1	1	2	4	
14	44563701	Duplex-Assy	1	1	2	4	
15	44561501	Front-Assy	1	1	2	4	MB461
15	44561502	Front-Assy	1	1	2	4	MB471, MB491
16	44559301	Frame-Assy-TR	1	1	2	4	
17	44565807	Fuser-Assy(120V)	1	5	10	20	
17	44565808	Fuser-Assy(240V)	1	5	10	20	
18		Guide-Assy-Eject-L	1	1	2	4	
19		Frame-Assy-Rear	1	1	2	4	
20		Frame-Assy-Manual	1	1	2	4	
20	44359203	Frame Assy.-MPT	1	1	2	4	MB471, MB491
21	44564601	Cover-Assy-Manual	1	1	2	4	MB461
21	44564301	Cover-Assy-MPT	1	1	2	4	
22		Cover-Assy-Stacker	1	1	2	4	MB461
22		Cover-Assy-Stacker	1	1	2	4	MB471,MB491
23		Spring-Contact	5	5	10	20	
24	44554001	OR-Board -97H	1	1	2	4	
25	44557602	Cable-FFC-28P(Add)	1	1	2	4	
26	44261402	Clutch	1	1	2	4	Hopping Clutch
27	44261403	Clutch-3.5	1	1	2	4	MPT-Clutch MB471, MB491
28	44261405	Clutch-4.5	1	1	2	4	Regist Clutch
29	44558301	Motor-DC(Main)	1	1	2	4	
30		Clamp-Cable	7	4	8	16	
31	44557102	Motor-Fan	1	1	2	4	
32	44352503	Motor-FAN(60x25)	1	1	2	4	
33	44782001	PWR unit-ACDC Switch	1	1	2	4	120V
33	44782101	PWR unit-ACDC Switch	1	1	2	4	240V

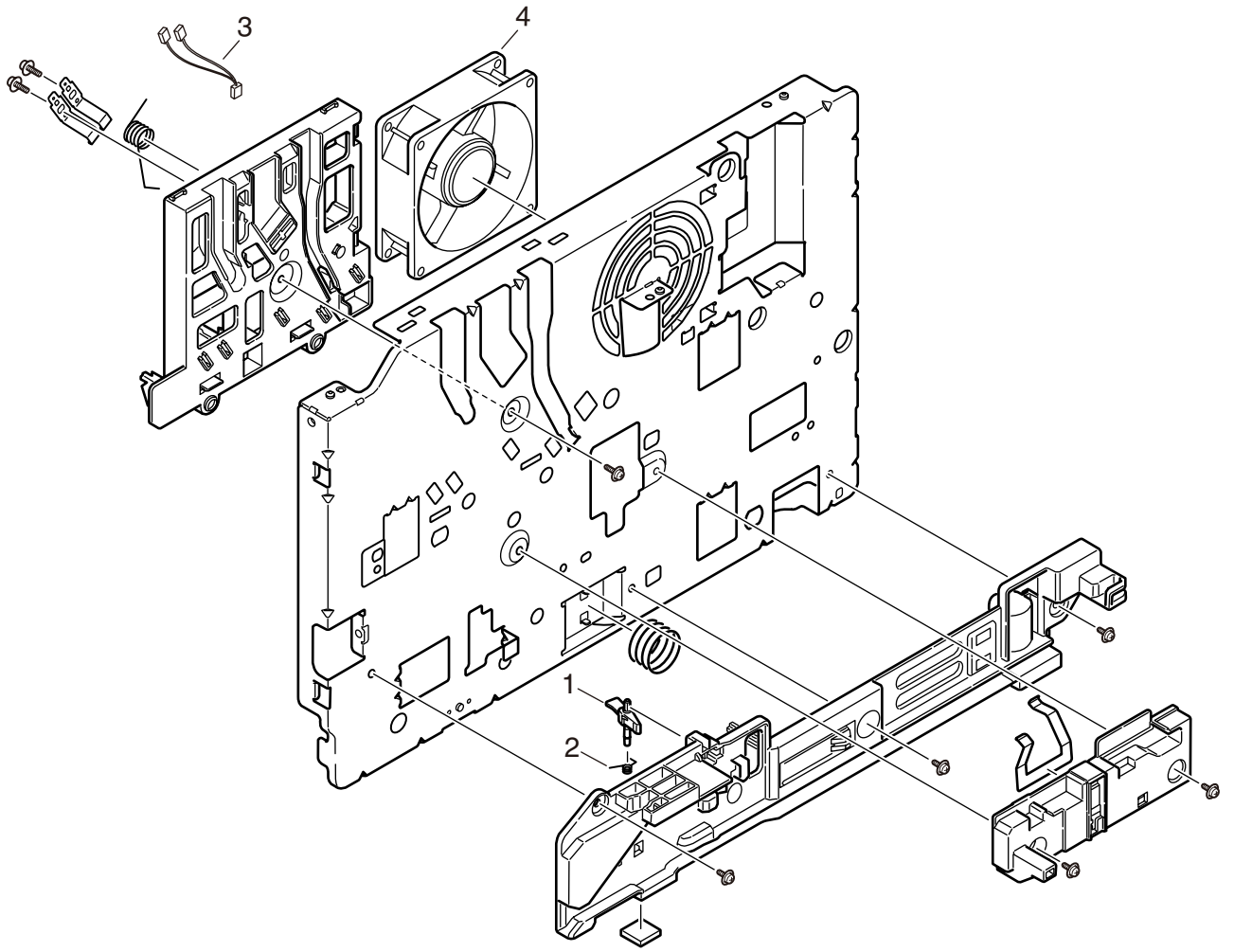
No.	Part No.	Part Name	Q'ty /Unit	Recommended Q'ty/Year			Remarks
				500	1000	2000	
34	44894901	98M-1 Maintenance board(for ODA)	1	1	2	4	MB461CU/PU Board
34	44894912	98M-2 Maintenance board(for ODA)	1	1	2	4	MB471CU/PU Board
34	44894932	98M-4 Maintenance board(for ODA)	1	1	2	4	MB491CU/PU Board
34	44894942	98M-4 Maintenance board(MPS for ODA)	1	1	2	4	MPS4200mb CU/PU Board
34	44894944	98M-4 Maintenance board(for ODB)	1	1	2	4	MB491+ CU/PU Board Exclusively for ODB
35		CONN Cord- JST3P-INLET	1	1	2	4	
36		CONN Cord- JST16P-JST16P	1	1	2	4	
37		CONN Cord- JST3P-JST3P	1	1	2	4	
38		CONN Cord- JST4P-JST4P	1	1	2	4	
39		SW-Assy(Front)	1	1	2	4	
40	44301010	SD-4GB for equipment/maintenance	1	1	2	4	MB491

Cassete-Assy(250sht)



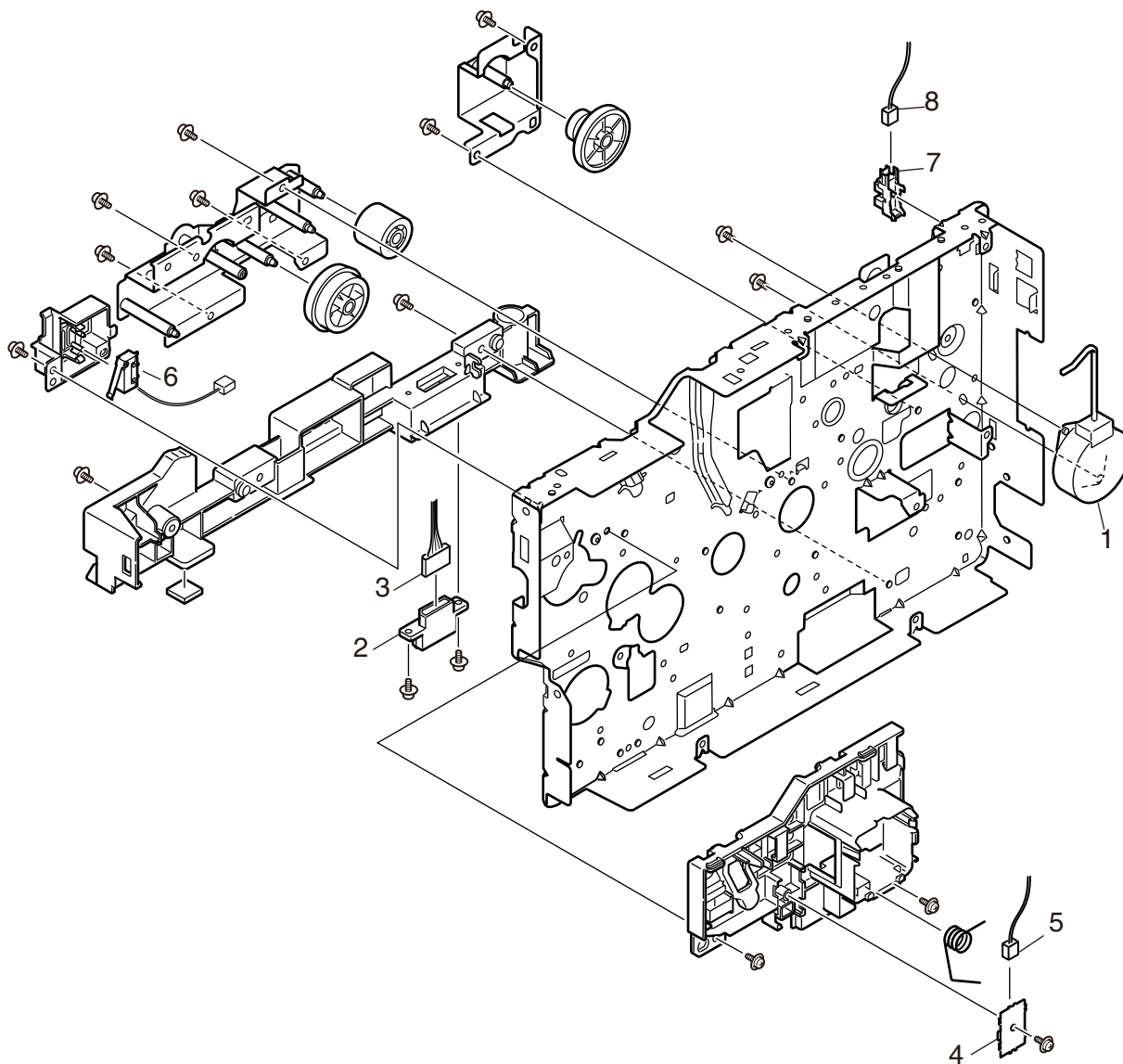
No.	Part No.	Part Name	Q'ty /Unit	Recommended Q'ty/Year			Remarks
				per 500	per 1000	per 2000	
1	44384701	Frame Assy.-Retard	1	1	2	4	
2	43963101	Spring-Retard	1	1	2	4	

Plate-Assy-Side-L



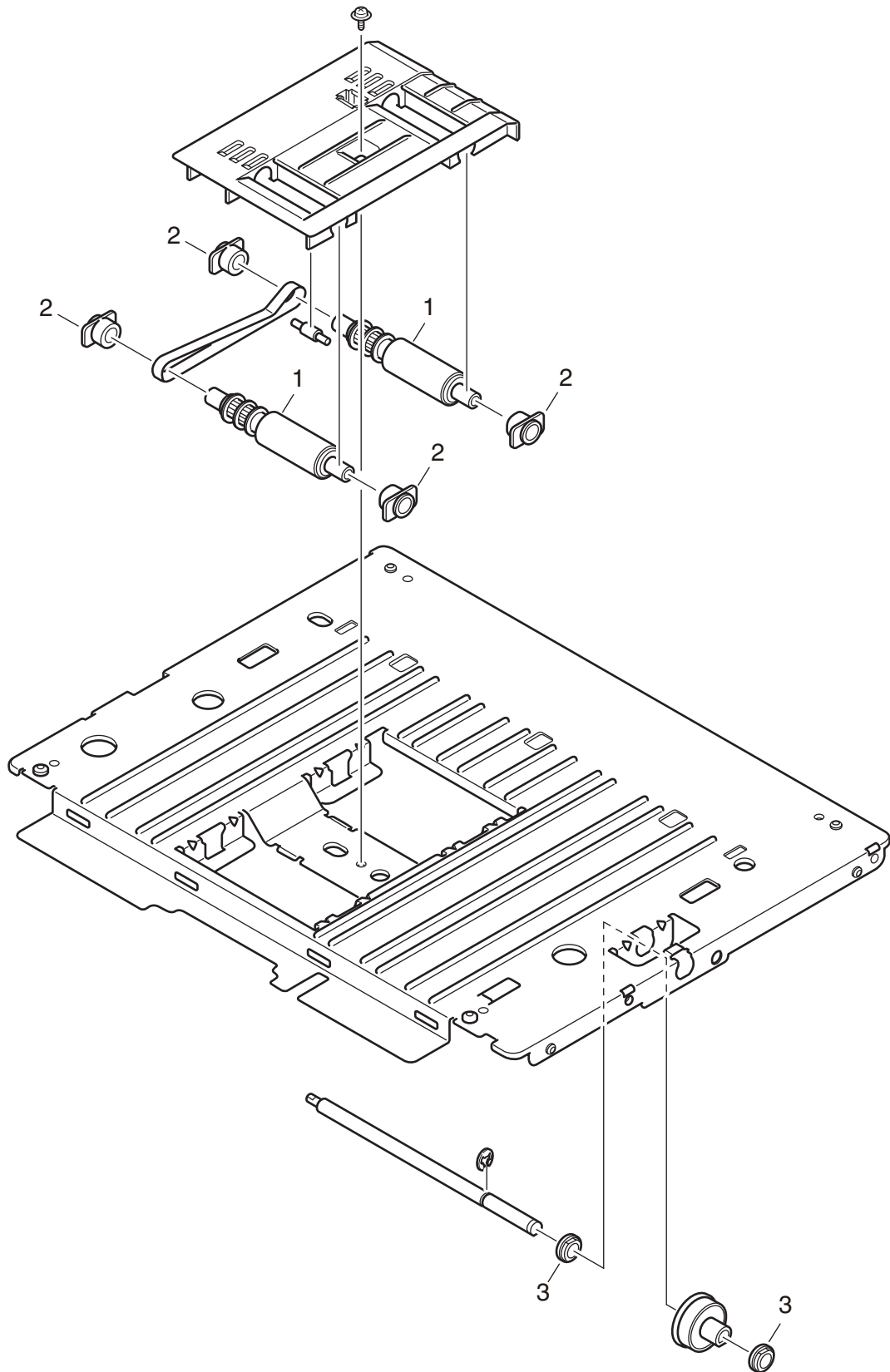
No.	Part No.	Part Name	Q'ty /Unit	Recommended Q'ty/Year			Remarks
				per 500	per 1000	per 2000	
1	44473601	Lever-Sensor-Cassette	1	1	2	4	
2	44361501	Spring-Sensor-016	1	1	2	4	
3		CONN Cord-JST3P-TAG	1	1	2	4	
4	43289101	OR-Motor-FAN(80)	1	1	2	4	

Plate-Assy-Side-R



No.	Part No.	Part Name	Q'ty /Unit	Recommended Q'ty/Year			Remarks
				per 500	per 1000	per 2000	
1	44519301	Motor-Pulse	1	1	2	4	
2	56740480	9715B-08Z02-G4C	1	1	2	4	
3		CONN Cord-AMP8P-AMP8P	1	1	2	4	
4	44555101	OR-Board-97T	1	1	2	4	
5		CONN Cord-AMP4P-AMP3P	1	1	2	4	
6		CONN Cord-AMP3P-SW	1	1	2	4	
7	55631301	GP1A173LCS2F	1	1	2	4	
8		CONN Cord-AMP3P-JST3P	1	1	2	4	

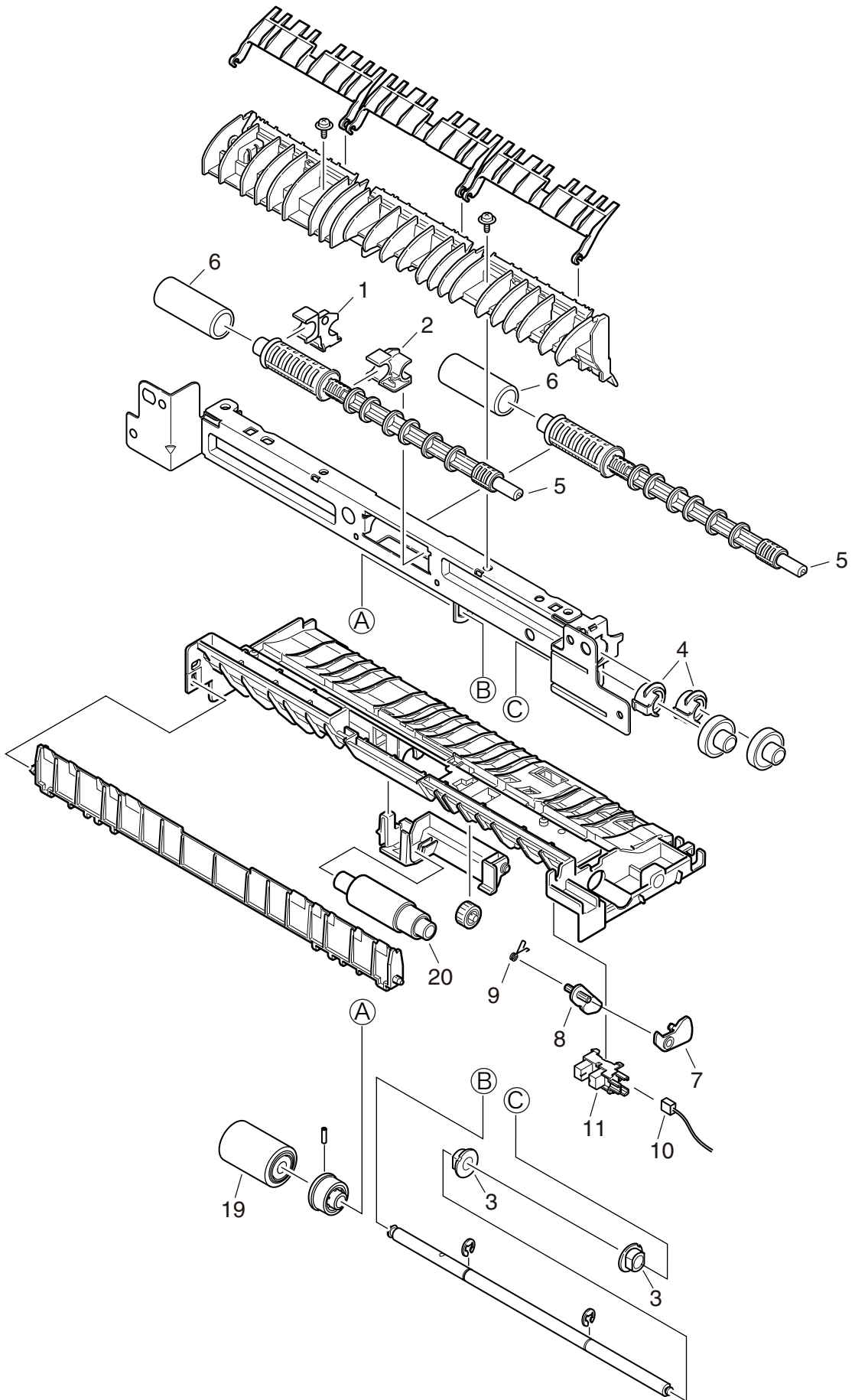
Duplex-Assy



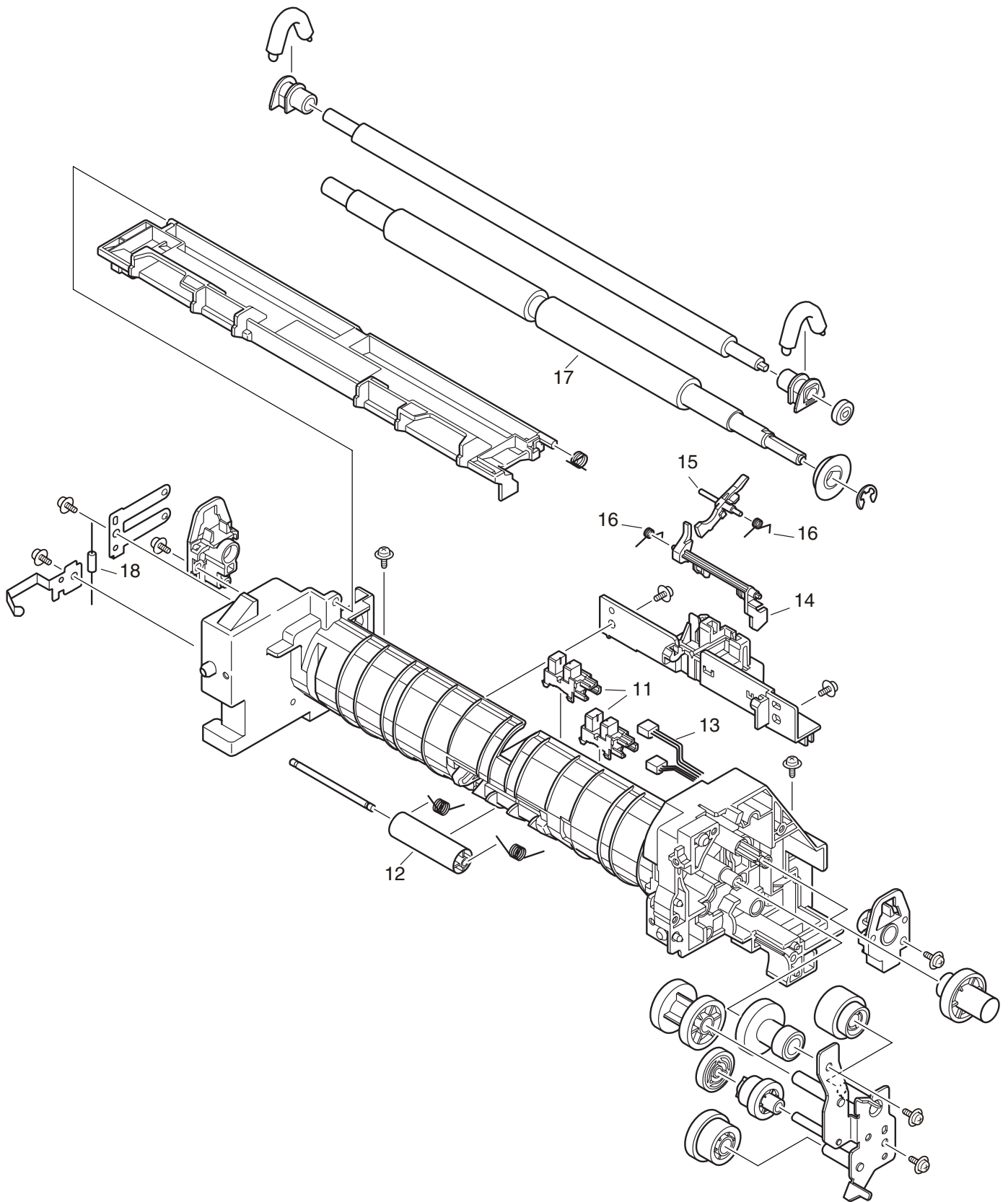
No.	Part No.	Part Name	Q'ty /Unit	Recommended Q'ty/Year			Remarks
				per 500	per 1000	per 2000	
1	44354101	Roller-Feed_Dup	2	2	4	8	
2	44379301	Bearing-Dup	4	4	8	16	
3	42060701	Bush	2	2	4	8	

Front-Assy-PN296

Front-Assy-PN297

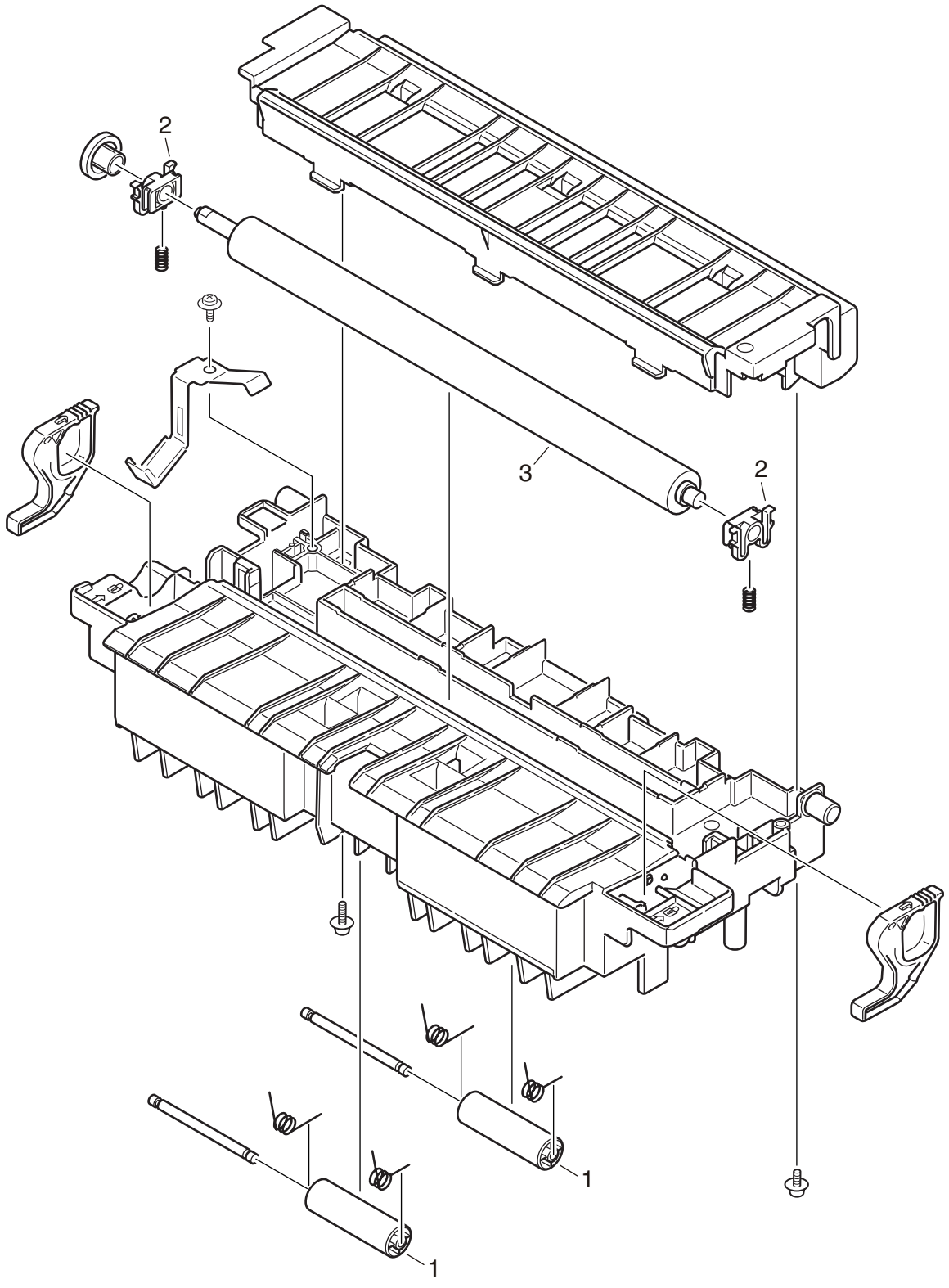


Front-Assy_2



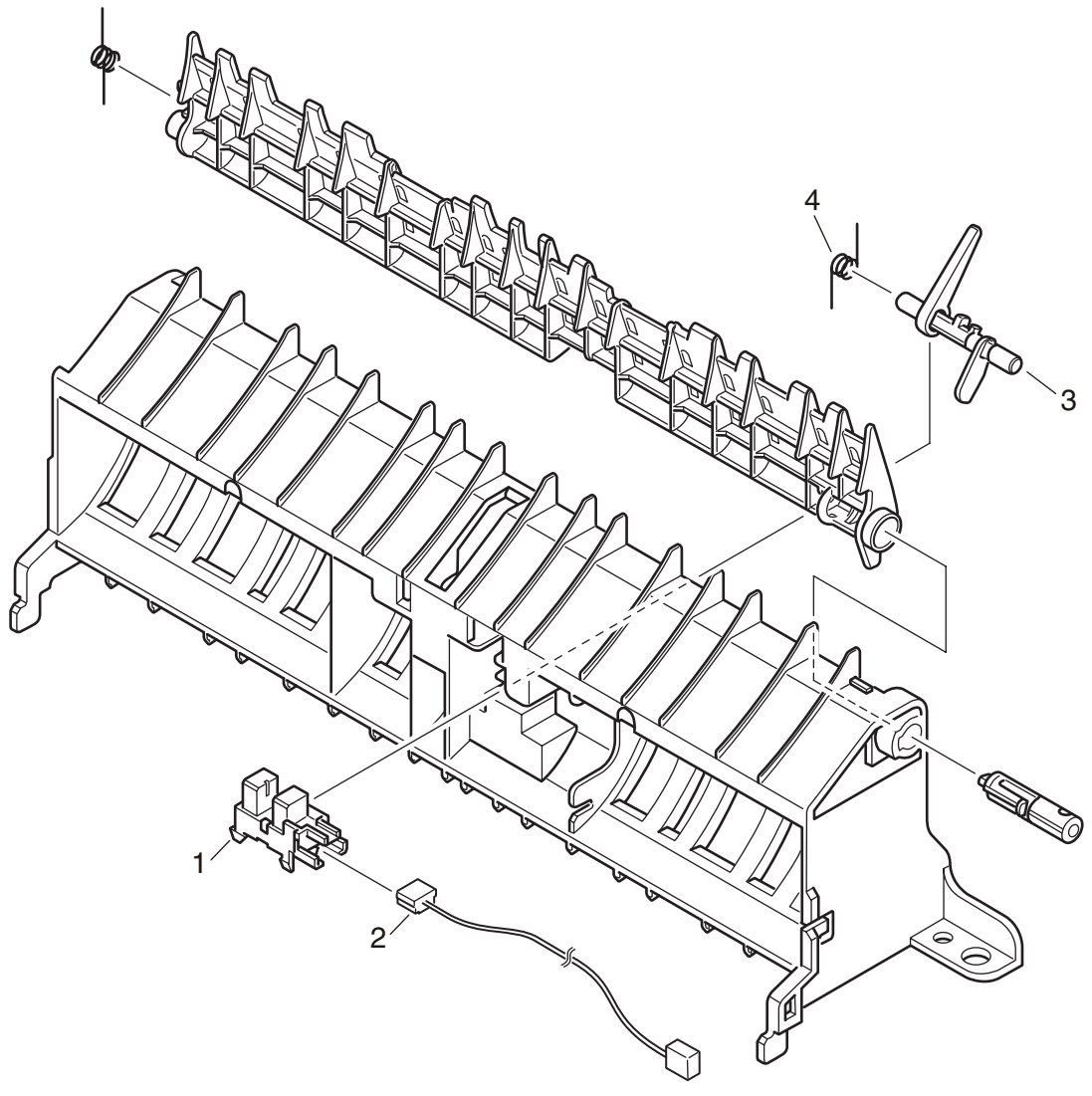
No.	Part No.	Part Name	Q'ty /Unit	Recommended Q'ty/Year			Remarks
				per 500	per 1000	per 2000	
1		Bearing-Feed-L	1	1	2	4	
2		Bearing-Feed-R	1	1	2	4	
3		Bush	1	1	2	4	
4		Bush-Feed	2	2	4	8	
5		Shaft-Roller-Feed	2	2	4	8	
6		Roller-Feed	2	2	4	8	
7	44549801	Lever-End	1	1	2	4	
8	44549901	Lever-End-Sub	1	1	2	4	
9	44550001	Spring-Lever-End	1	1	2	4	
10		CONN Cord-AMP3P-AMP3P	1	1	2	4	
11	55631301	GP1A173LCS2F	3	3	6	12	
12		Roller-Pinch	1	1	2	4	
13		CONN Cord-AMP6P-AMP3P-AMP3P	1	1	2	4	
14		Lever-Sensor-IN	1	1	2	4	
15		Lever-Sensor-WR	1	1	2	4	
16		Spring-Sensor-016	2	1	2	4	
17		Roller-Regist	1	1	2	4	
18		OR-RES-High-Voltage-Z	1	1	2	4	
19	44483301	Roller-Assy-Hopping	1	1	2	4	
20		Roller-Assy-PickUp	1	1	2	4	

Frame-Assy-TR



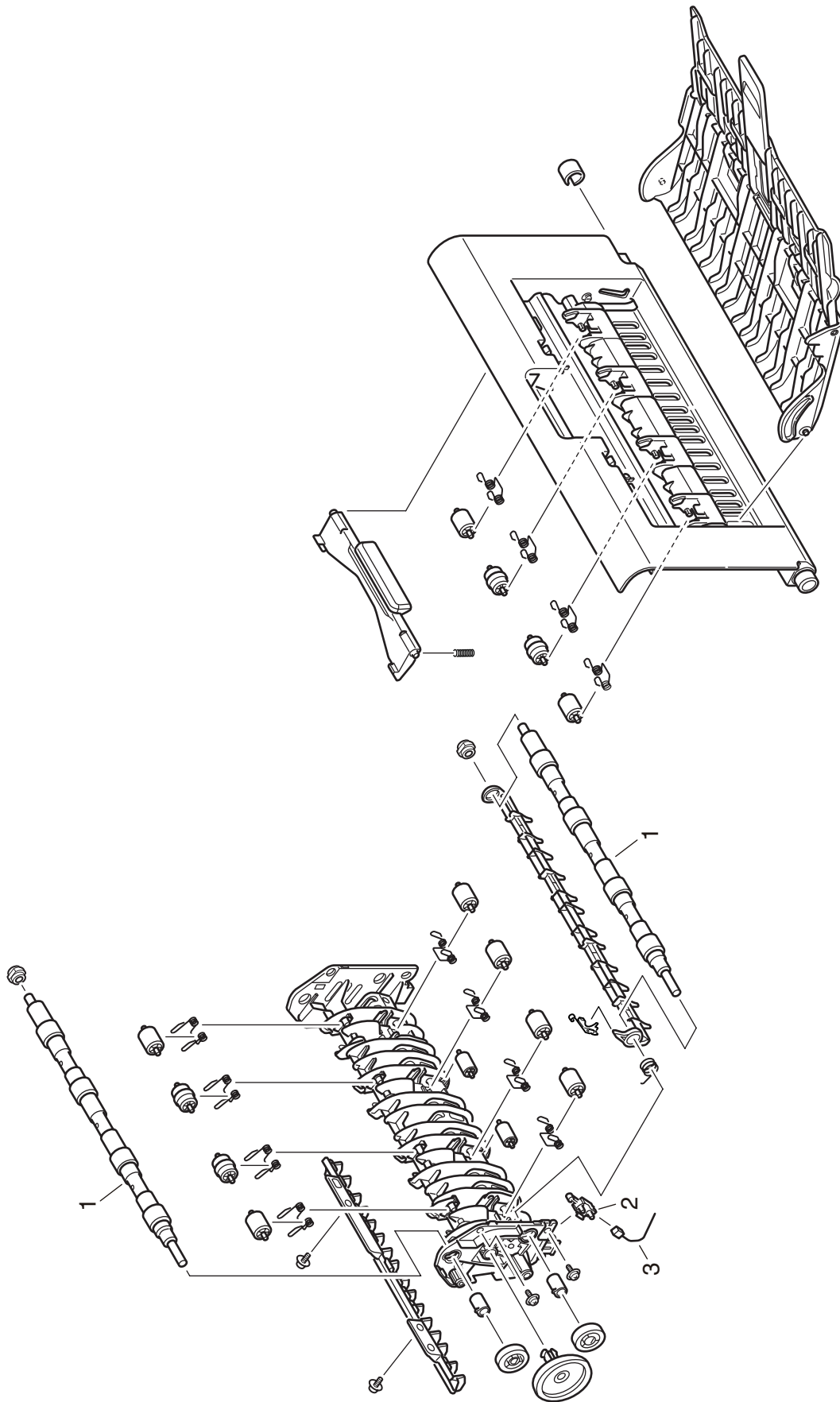
No.	Part No.	Part Name	Q'ty /Unit	Recommended Q'ty/Year			Remarks
				per 500	per 1000	per 2000	
1		Roller-Pinch	2	2	4	8	
2		Bearing-TR	2	2	4	8	
3	44432101	Roller-Transfer	1	1	2	4	

Guide-Eject-Lower-Assy



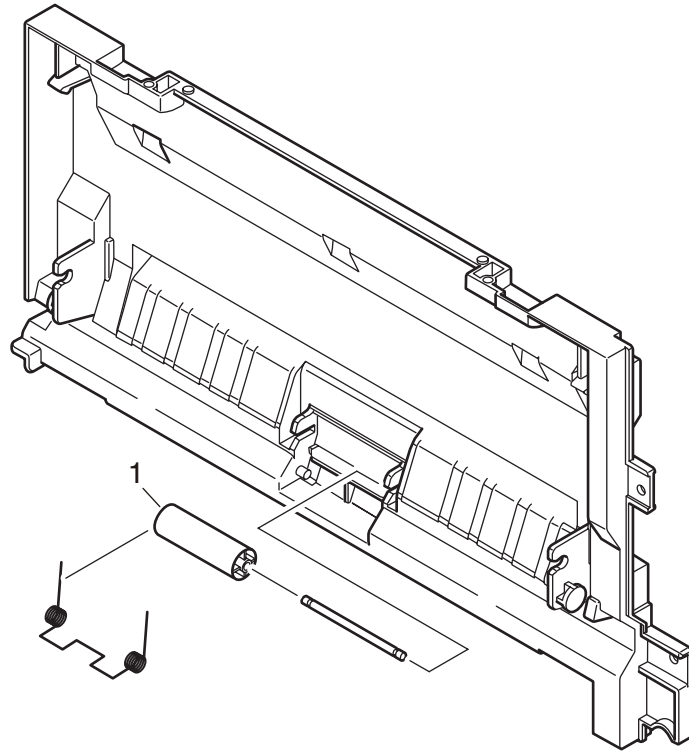
No.	Part No.	Part Name	Q'ty /Unit	Recommended Q'ty/Year			Remarks
				per 500	per 1000	per 2000	
1		GP1A173LCS2F	1	1	2	4	
2		CONN Cord-JST3P-AMP3P	1	1	2	4	
3	44365701	Lever-Sensor_Exit	1	1	2	4	
4	44365901	Spring-Sensor_Exit	1	1	2	4	

Frame-Assy-Rear



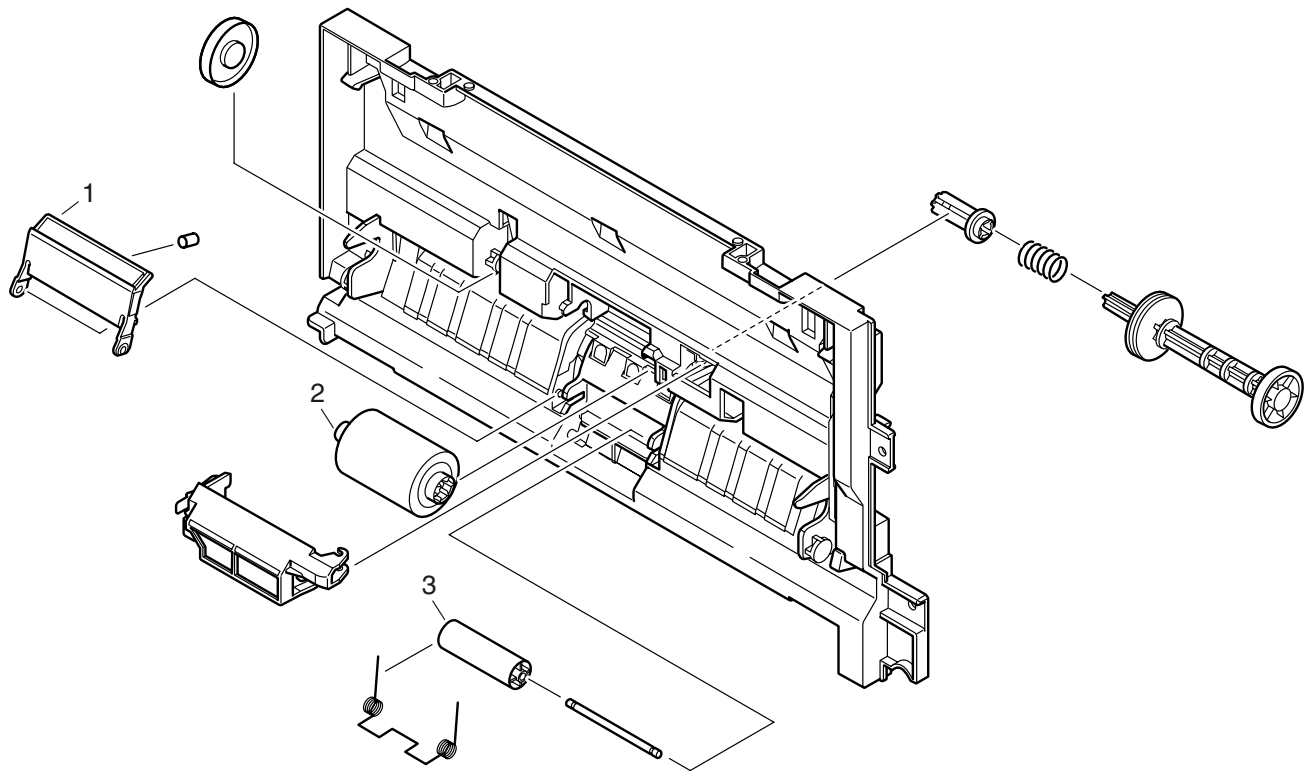
No.	Part No.	Part Name	Q'ty /Unit	Recommended Q'ty/Year			Remarks
				per 500	per 1000	per 2000	
1		Shaft-Assy.-Eject	2	2	4	8	
2		D2X-C	1	1	2	4	
3		CONN Cord-AMP2P-AMP2P	1	1	2	4	

Manual-Assy



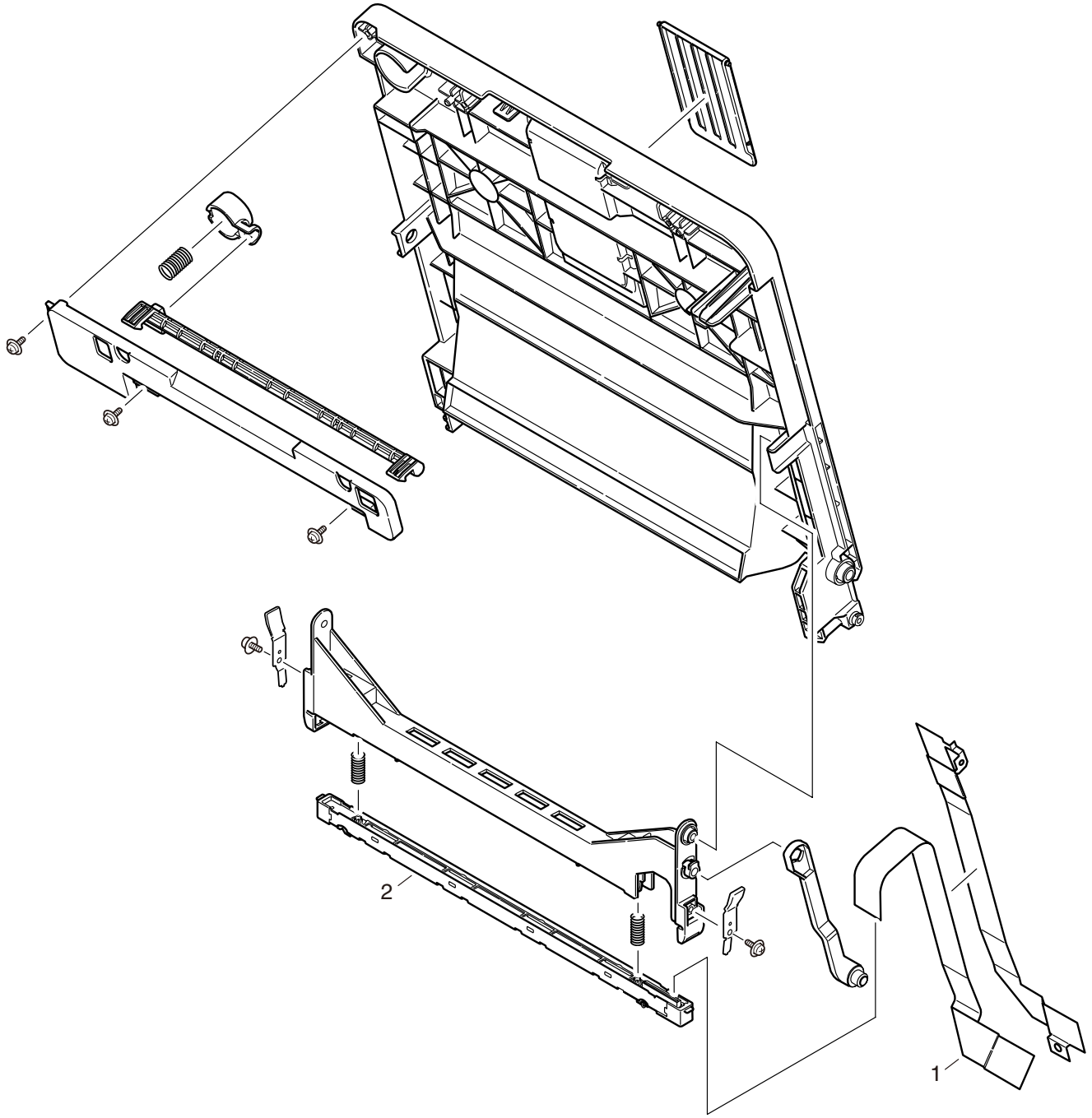
No.	Part No.	Part Name	Q'ty /Unit	Recommended Q'ty/Year			Remarks
				per 500	per 1000	per 2000	
1		Roller-Pinch	1	1	2	4	MB461

MPT-Assy



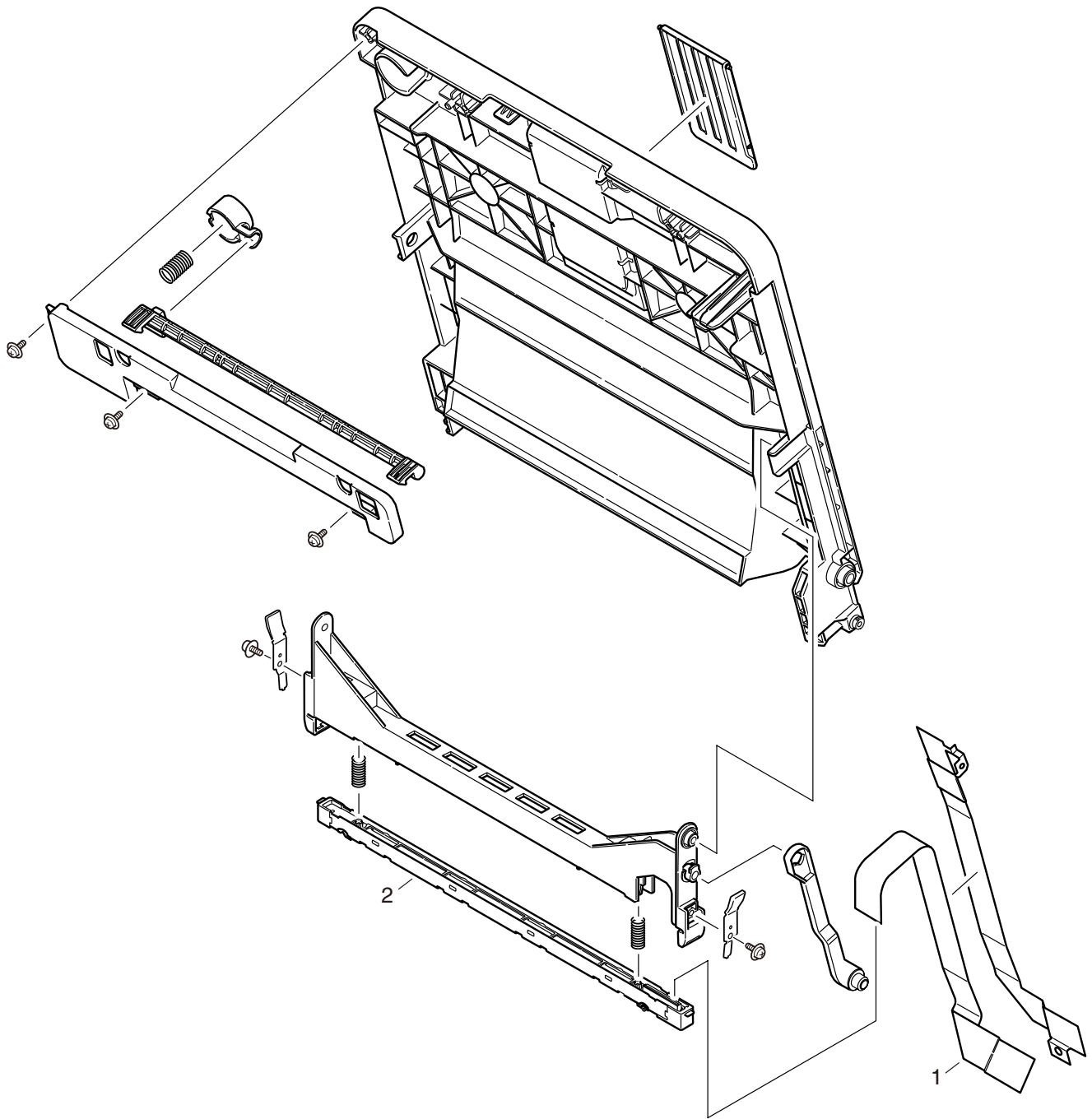
No.	Part No.	Part Name	Q'ty /Unit	Recommended Q'ty/Year			Remarks
				per 500	per 1000	per 2000	
1		Frame Assy.-Separator	1	1	2	4	MB471,MB491
2		Roller-Assy-MPT	1	1	2	4	MB471,MB4911
3		Roller-Pinch	1	1	2	4	MB471,MB491

Cover-Assy-Stacker FN296



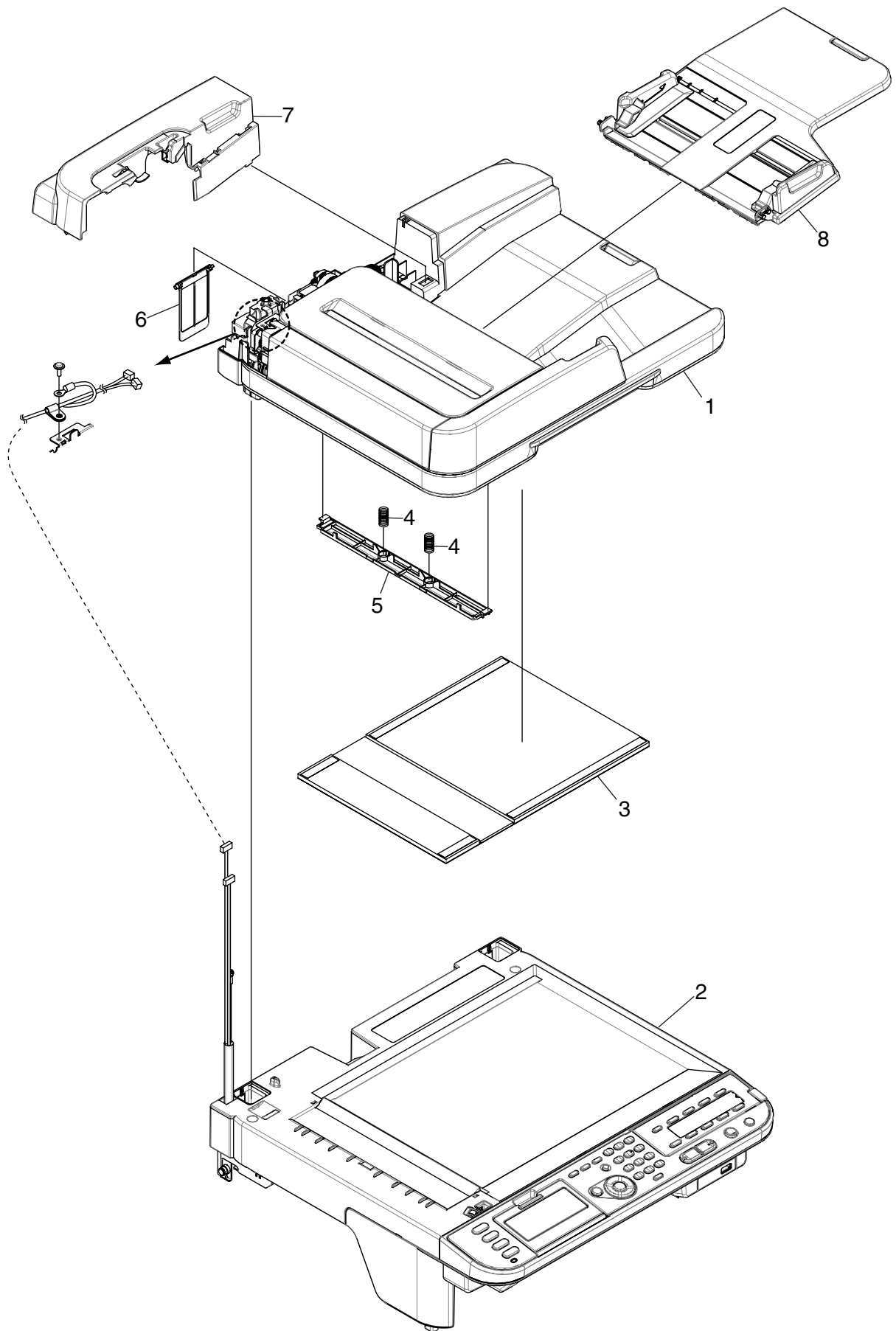
No.	Part No.	Part Name	Q'ty /Unit	Recommended Q'ty/Year			Remarks
				per 500	per 1000	per 2000	
1	44570902	Cable-FFC-20P(Add)(FN296/7)	1	1	2	4	MB461
2	44317201	LED Head Unit-51TRA	1	1	2	4	MB461 600dpi

Cover-Assy-Stacker FN297



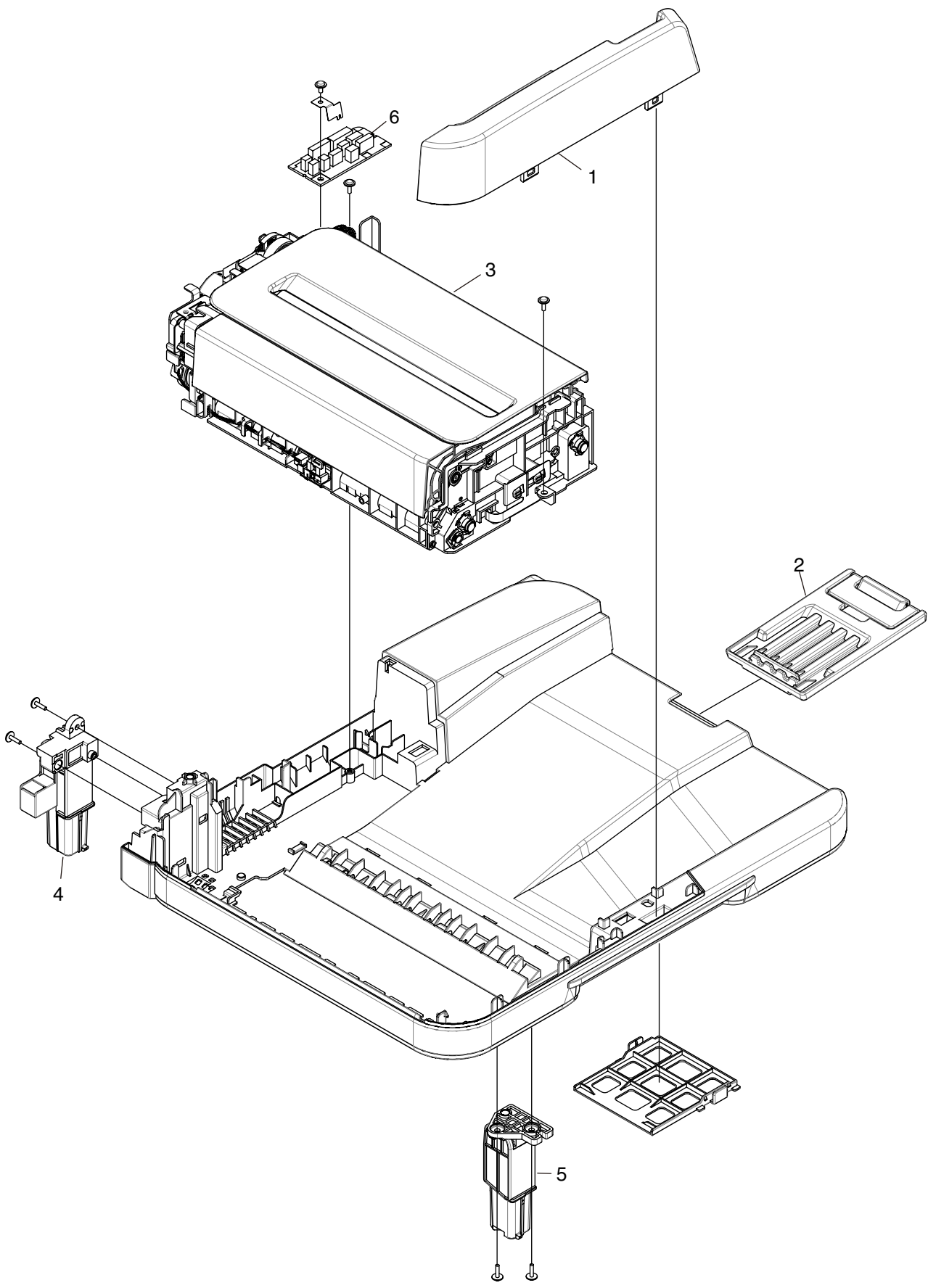
No.	Part No.	Part Name	Q'ty /Unit	Recommended Q'ty/Year			Remarks
				per 500	per 1000	per 2000	
1	44570902	Cable-FFC-20P(Add)	1	1	2	4	MB471, MB491
2	44557701	LED Head Unit-61TRA	1	1	2	4	MB471, MB491 1200dpi

Scanner-Unit



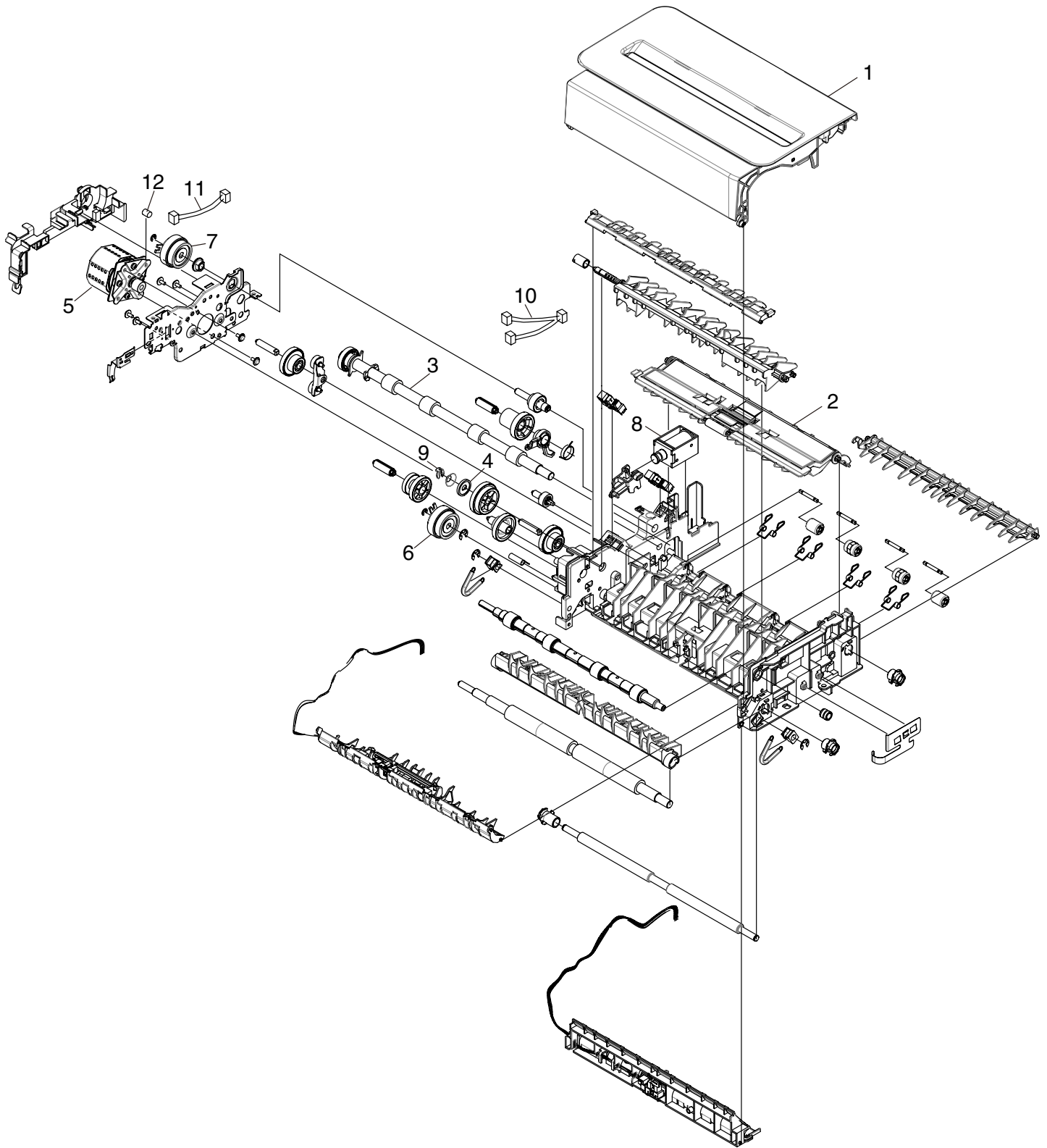
No.	Part No.	Part Name	Q'ty /Unit	Recommended Q'ty/Year			Remarks
				per 500	per 1000	per 2000	
1	44801012	ADF-Maintenance-Unit	1	1	2	4	All
2	44801072	Flatbed-Maintenance-Unit	1	1	2	4	MB461
2	44801073	Flatbed-Maintenance-Unit(FN297_ODA/AOS)	1	1	2	4	MB471, MB491
3		Sheet-Document	1	1	2	4	
4		Spring-PW-ADF	2	1	2	4	
5		Paper-Weight-Assy	1	1	2	4	
6		Cover-Flap	1	1	2	4	
7		Cover-ADF-R-Assy	1	1	2	4	
8		Tray-Assy-Document	1	1	2	4	

ADF-Unit



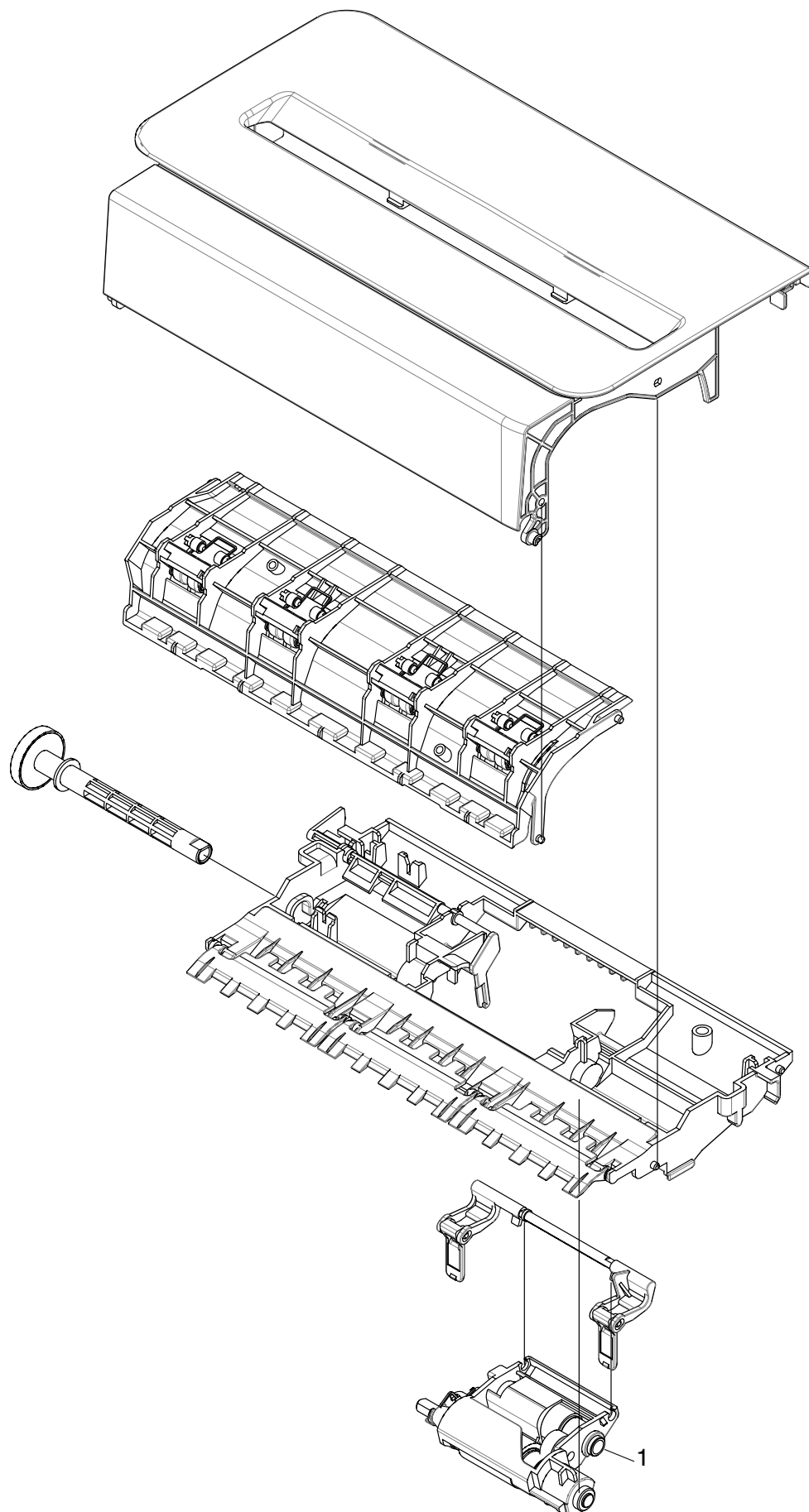
No.	Part No.	Part Name	Q'ty /Unit	Recommended Q'ty/Year			Remarks
				per 500	per 1000	per 2000	
1		Cover-ADF-F	1	1	2	4	
2	44529101	Guide-Assy-Exit-Sub	1	1	2	4	
3		ADF-Assy	1	1	2	4	
4		Hinge-Assy-L	1	1	2	4	
5		Hinge-Assy-R	1	1	2	4	
6	44604601	OR-ADF Board(FX750)	1	2	4	8	ADF Board

ADF-Assy



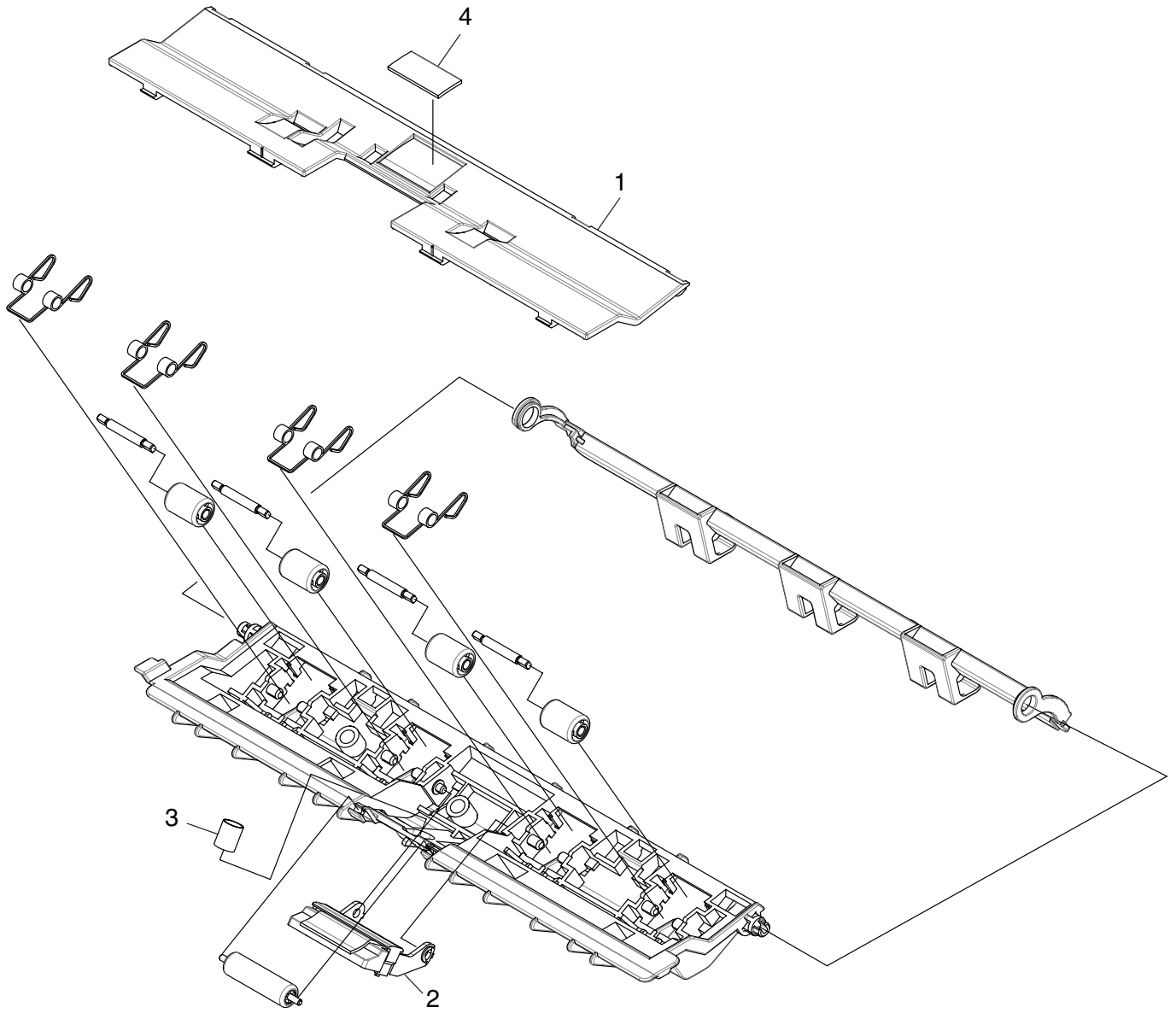
No.	Part No.	Part Name	Q'ty /Unit	Recommended Q'ty/Year			Remarks
				per 500	per 1000	per 2000	
1		Cover-Assy-Top-ADF	1	1	2	4	
2		Guide-Assy-A	1	1	2	4	
3		Roller-Assy-Eject-ADF	1	1	2	4	
4		Washer-A	1	1	2	4	
5	44875901	Motor-KTL40M	1	1	2	4	ADF Motor
6	44261401	Clutch	1	1	2	4	ADF Reg Clutch
7	44261406	Clutch-3.5	1	1	2	4	ADF Hopping Clutch
8	42058303	Solenoid	1	1	2	4	ADF Sol
9		Retainer-4	1	1	2	4	
10		CONN Cord-AMP3P-AMP3P-AMP6P	1	1	2	4	ADF-Cover/Set SNS
11		CONN Cord-AMP4P-JST4P	1	1	2	4	ADF-Motor
12		Spring-FG-Motor	1	1	2	4	

Cover-Assy-Top-ADF



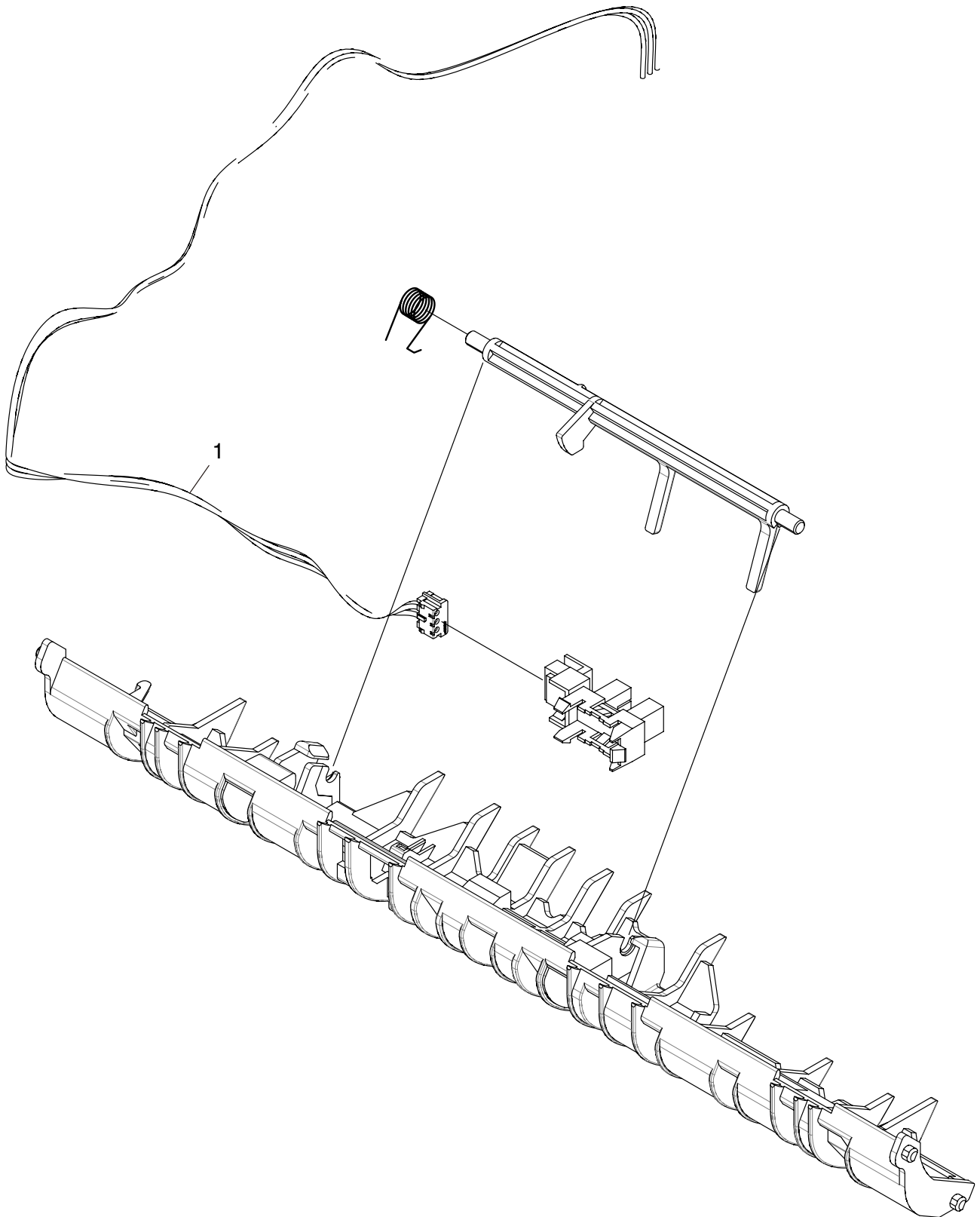
No.	Part No.	Part Name	Q'ty /Unit	Recommended Q'ty/Year			Remarks
				per 500	per 1000	per 2000	
1	44912501	Frame-Assy-Hopping-ADF	1	2	4	8	

Guide-Assy-A



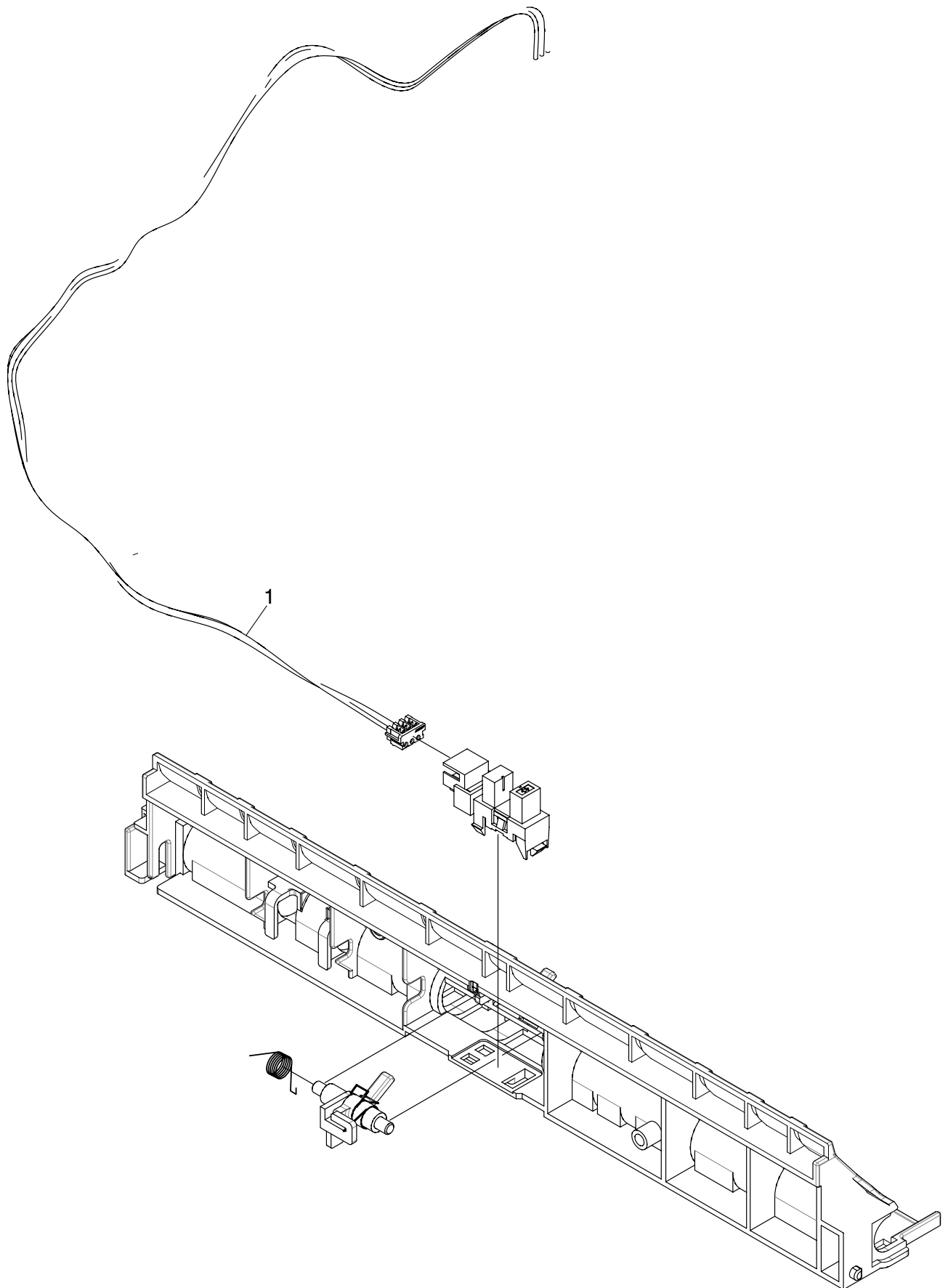
No.	Part No.	Part Name	Q'ty /Unit	Recommended Q'ty/Year			Remarks
				per 500	per 1000	per 2000	
1	44532601	Guide-A-Sub	1	1	2	4	
2	44532702	Frame-Assy-Separator	1	2	4	8	
3	44533001	Spring-Separator	1	1	2	4	
4	44533301	Rubber-Friction	1	2	4	8	

Guide-Assy-C



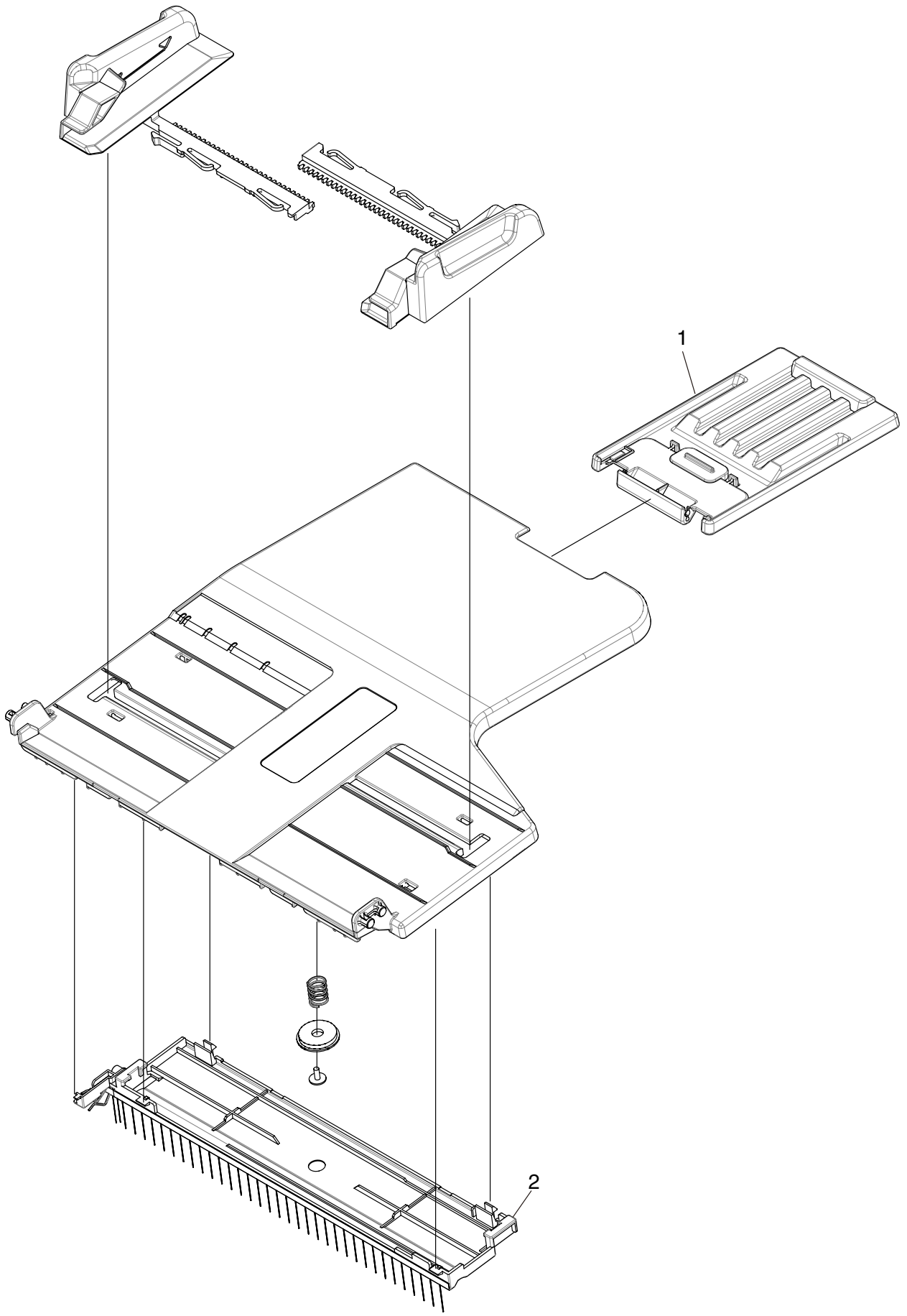
No.	Part No.	Part Name	Q'ty /Unit	Recommended Q'ty/Year			Remarks
				per 500	per 1000	per 2000	
1		CONN Cord-AMP3P-JST3P	1	1	2	4	ADF-Rev SNS

Guide-Assy-D



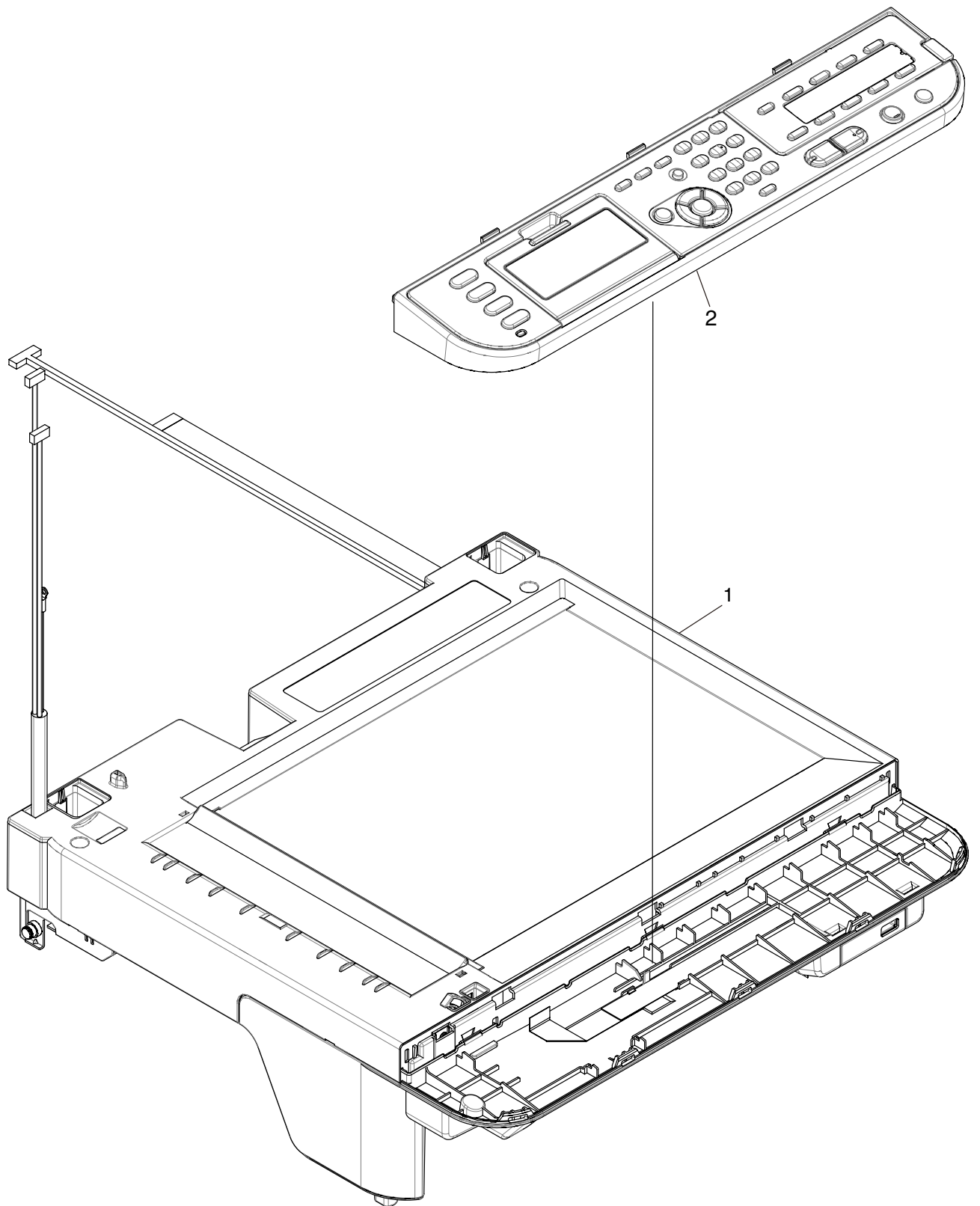
No.	Part No.	Part Name	Q'ty /Unit	Recommended Q'ty/Year			Remarks
				per 500	per 1000	per 2000	
1		CONN Cord-AMP3P-AMP3P	1	1	2	4	ADF-Reg SNS

Tray-Assy-Document



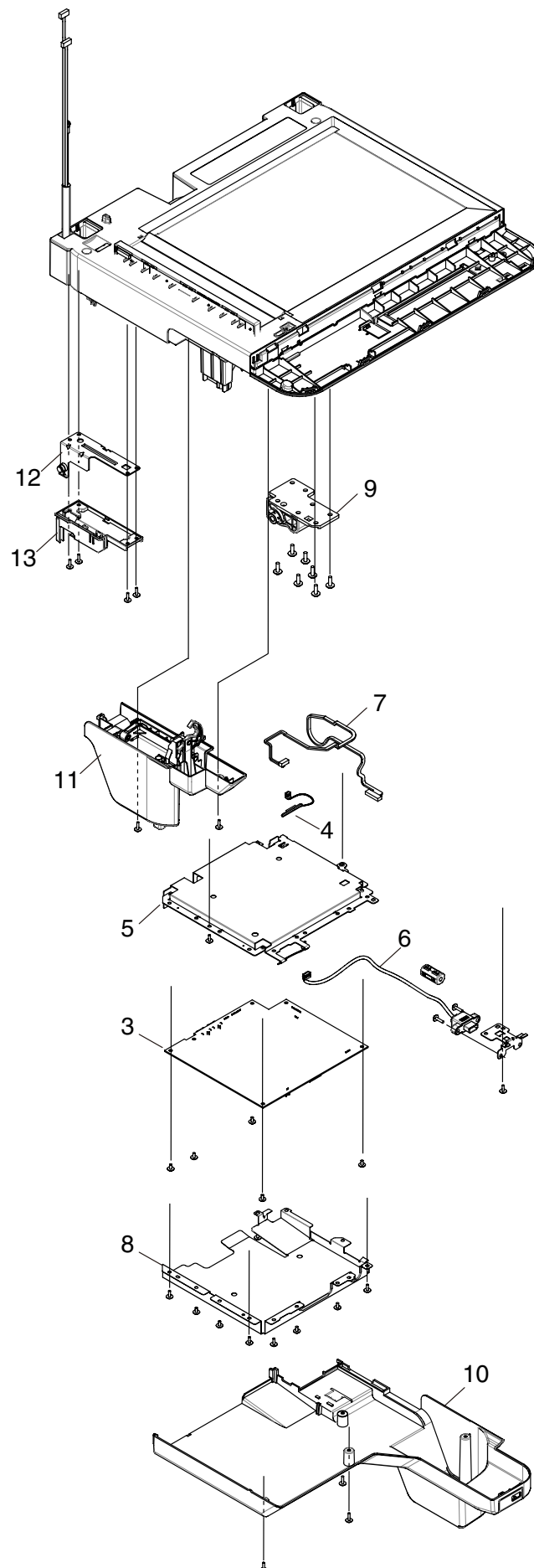
No.	Part No.	Part Name	Q'ty /Unit	Recommended Q'ty/Year			Remarks
				per 500	per 1000	per 2000	
1		Tray-Document-Sub	1	1	2	4	
2		Cover-Tray-Assy	1	1	2	4	

Flatbed-Unit



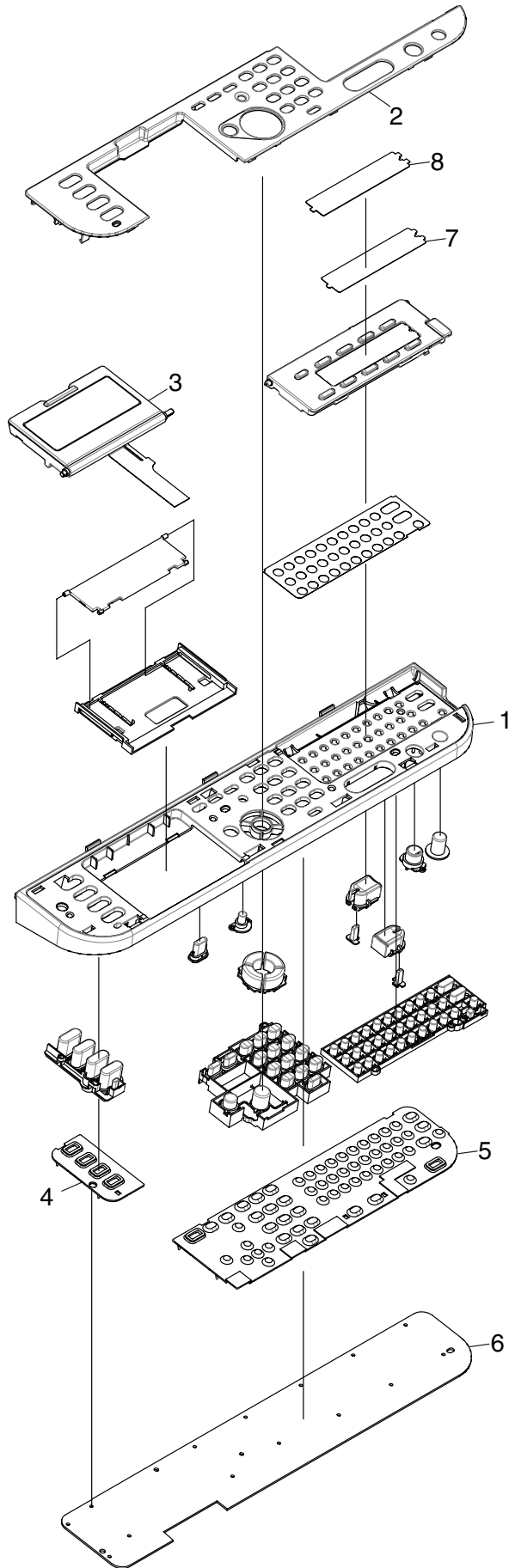
No.	Part No.	Part Name	Q'ty /Unit	Recommended Q'ty/Year			Remarks
				per 500	per 1000	per 2000	
1	44801082	Frame-Assy-FB-Maintenance-Unit	1	1	2	4	MB461
1	44801083	Frame-Assy-FB-Maintenance-Unit	1	1	2	4	MB471, MB491
2	44596811	Frame-Assy-OP	1	1	2	4	MB471, MB491
2	44597411	Frame-Assy-OP	1	1	2	4	MB461

Frame-Assy-FB



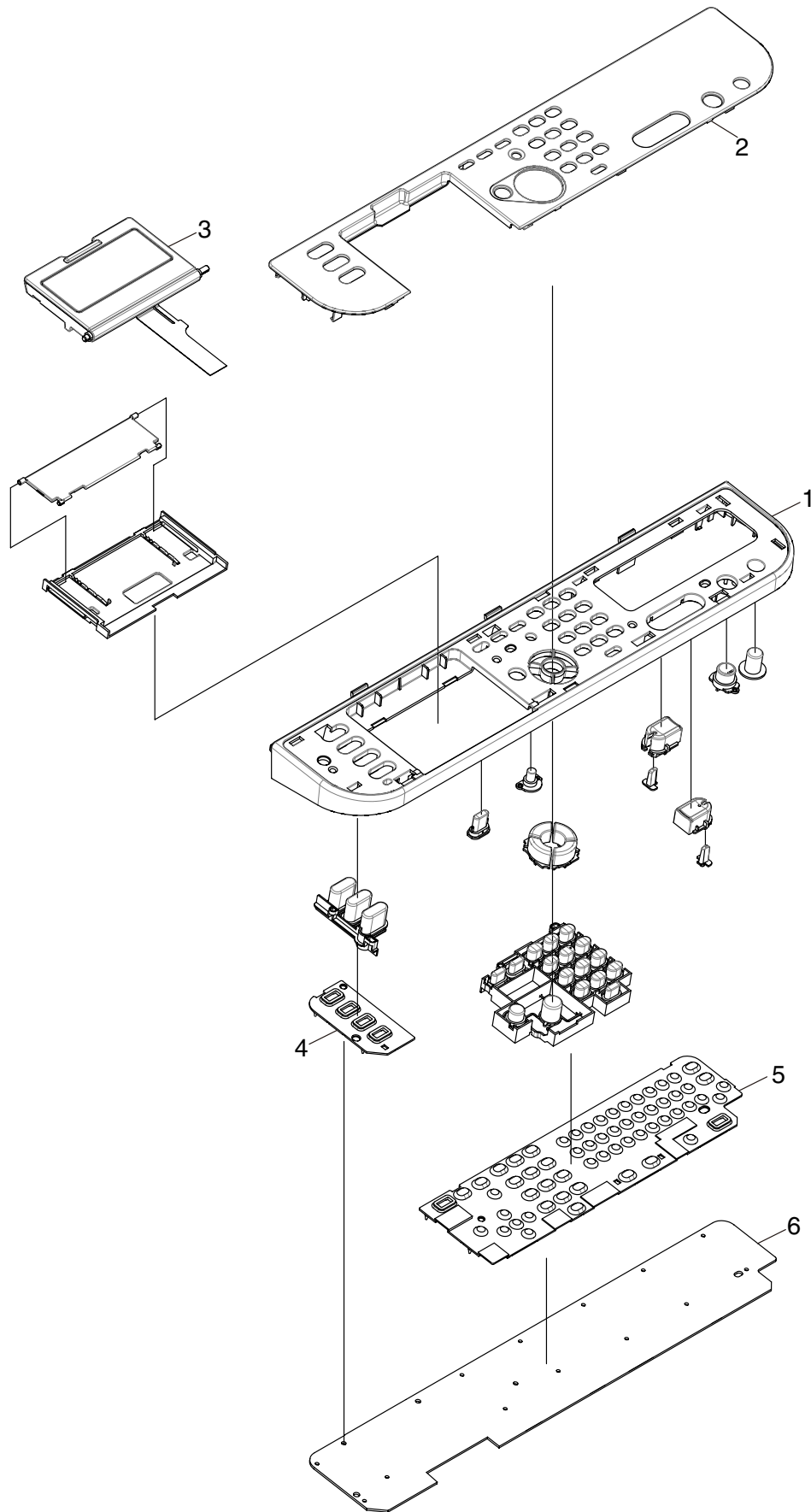
No.	Part No.	Part Name	Q'ty /Unit	Recommended Q'ty/Year			Remarks
				per 500	per 1000	per 2000	
3	44866302	Board-MHE-2 Maintenance spec.for ODA/AOS	1	2	4	8	SU Board MB471, MB491
3	44866303	Board-MHE-3 Maintenance spec. w/o FAX	1	2	4	8	SU Board MB461
4		Speaker Assy.	1	1	2	4	
5		Plate-Board(SU)	1	1	2	4	
6		CONN Cord-USB	1	1	2	4	
7		CONN Cord-JST10P-JST10P	1	1	2	4	
8		Plate-Shield(SU)	1	1	2	4	
9		Cam-Hinge	1	1	2	4	
10		Cover-Bottom	1	1	2	4	
11		Cover-Assy-LF	1	1	2	4	
12		Plate-Hinge-L(Caulking)	1	1	2	4	
13		Cover-Hinge(L)	1	1	2	4	

Frame-Assy-OP-FN297



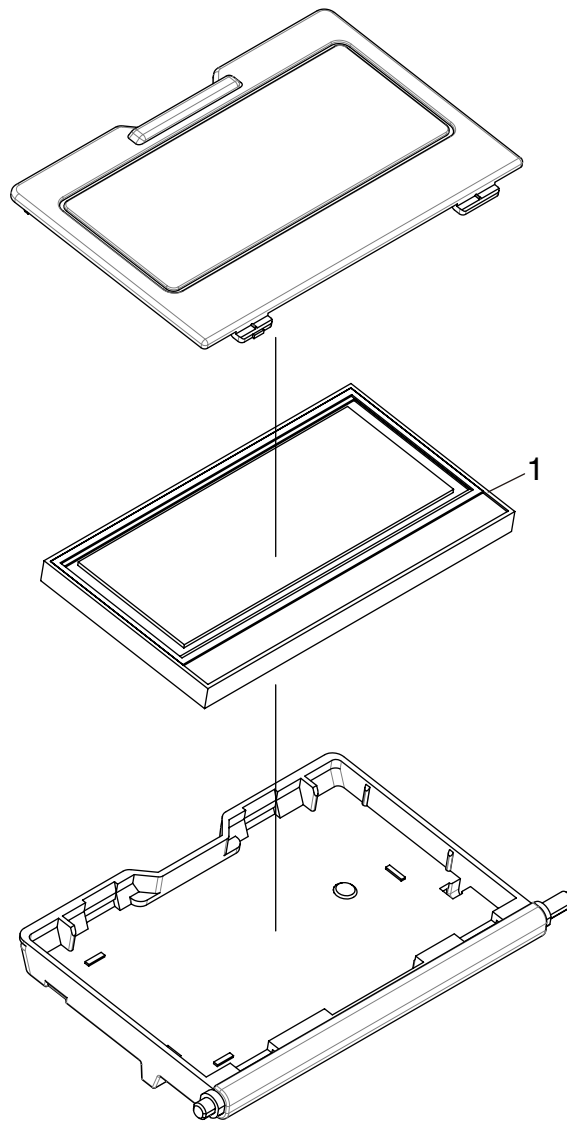
No.	Part No.	Part Name	Q'ty /Unit	Recommended Q'ty/Year			Remarks
				per 500	per 1000	per 2000	
1		Frame-OP-Panel(A)	1	1	2	4	MB471,MB491
2		Cover-OP-Panel(A)	1	1	2	4	MB471,MB491
3		LCD-Assy	1	1	2	4	MB471,MB491 Same part for MB461
4		Rubber-Pad(L)	1	1	2	4	MB471,MB491 Same part for MB461
5		Rubber-Pad(R)	1	1	2	4	MB471,MB491 Same part for MB461
6	44604302	OR-OPE Board-2	1	2	4	8	MB461, MB471, MB491
7	44546001	Sheet-One-Touch	1	1	2	4	MB471, MB491
8	44546101	Film-One-Touch	1	1	2	4	MB471, MB491

Frame-Assy-OP-FN296



No.	Part No.	Part Name	Q'ty /Unit	Recommended Q'ty/Year			Remarks
				per 500	per 1000	per 2000	
1	44564701	Frame-OP-Panel(B)	1	1	2	4	MB461
2	44565012	Cover-OP-Panel(C)	1	1	2	4	MB461
3	44596901	LCD-Assy	1	1	2	4	MB461 Same part for MB471,MB491
4		Rubber-Pad(L)	1	1	2	4	MB461 Same part for MB471,MB491
5		Rubber-Pad(R)	1	1	2	4	MB461 Same part for MB471,MB491
6		OR-OPE Board-2	1	2	4	8	MB461 Same part for MB471,MB491

LCD-Assy



No.	Part No.	Part Name	Q'ty /Unit	Recommended Q'ty/Year			Remarks
				per 500	per 1000	per 2000	
1		JIC-MSGF012138-07	1	2	4	8	