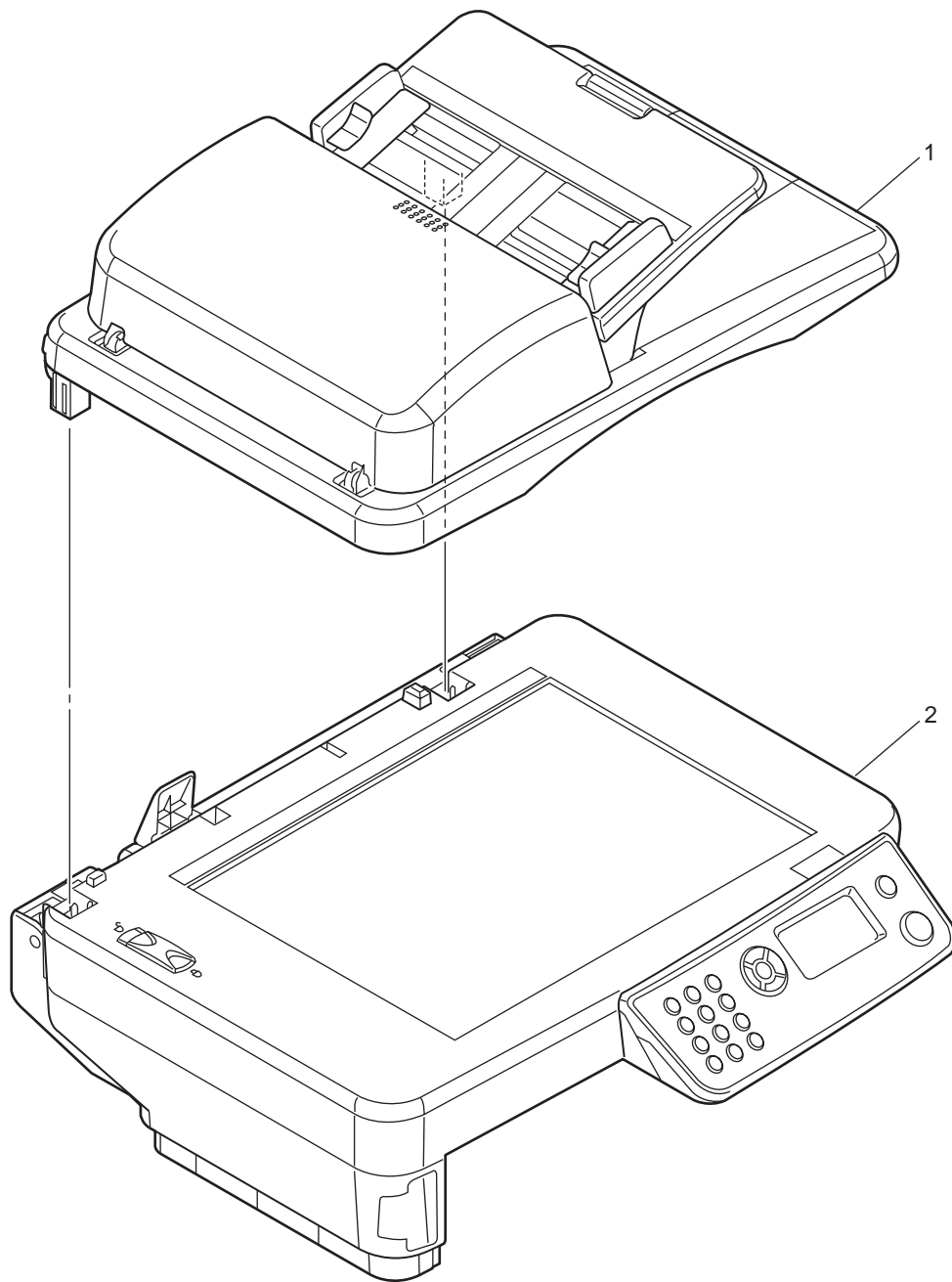


MB460MFP Spare Parts Illustration Manual

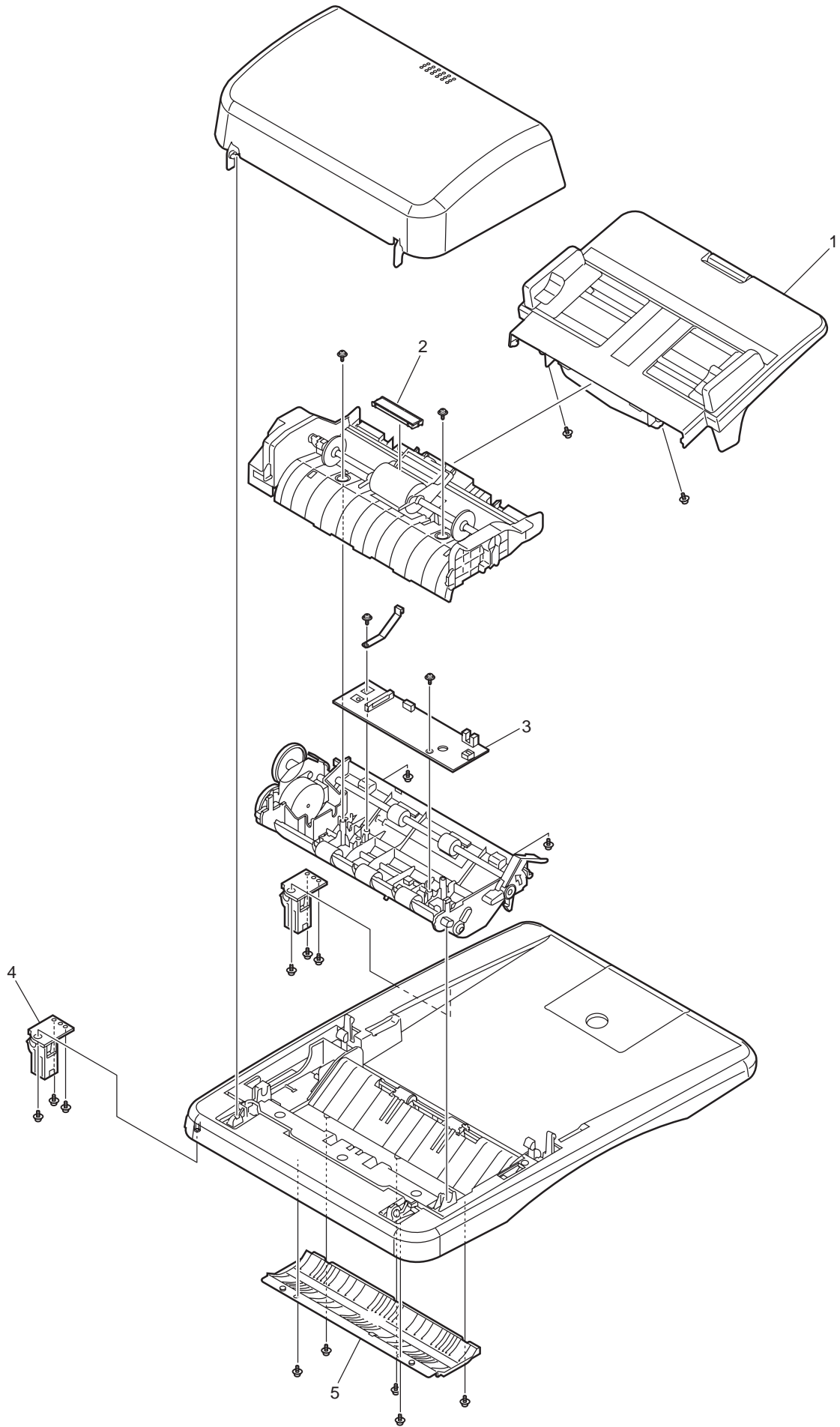
031412A

Scanner Unit (MB460)



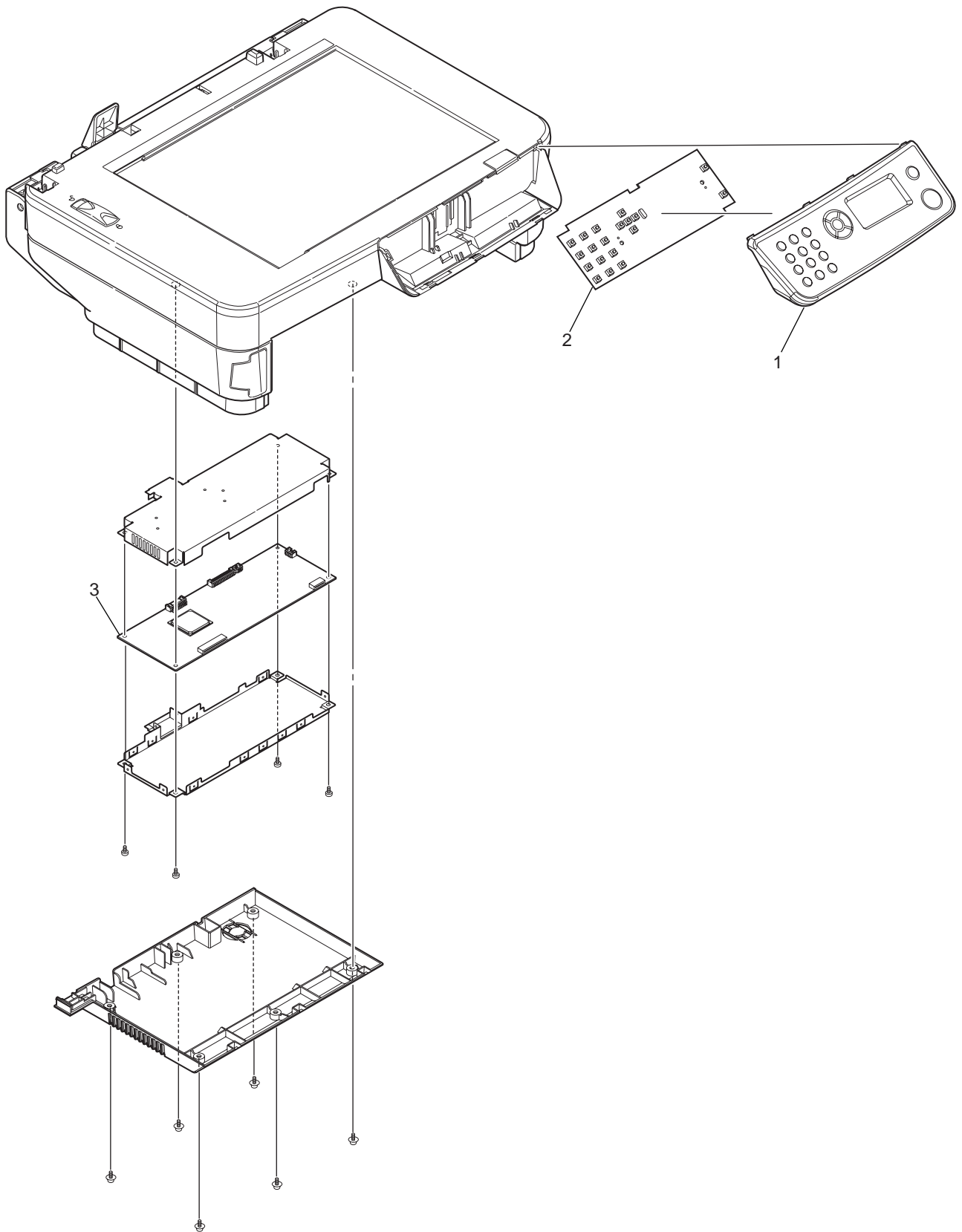
No.	Part No.	Part Name	Q'ty /Unit	Recommended Q'ty/Year			Remarks
				per 500	per 1000	per 2000	
1	43725202	ADF Unit	1	1	2	4	
2	43725305	Flatbed Unit	1	1	2	4	

ADF Unit



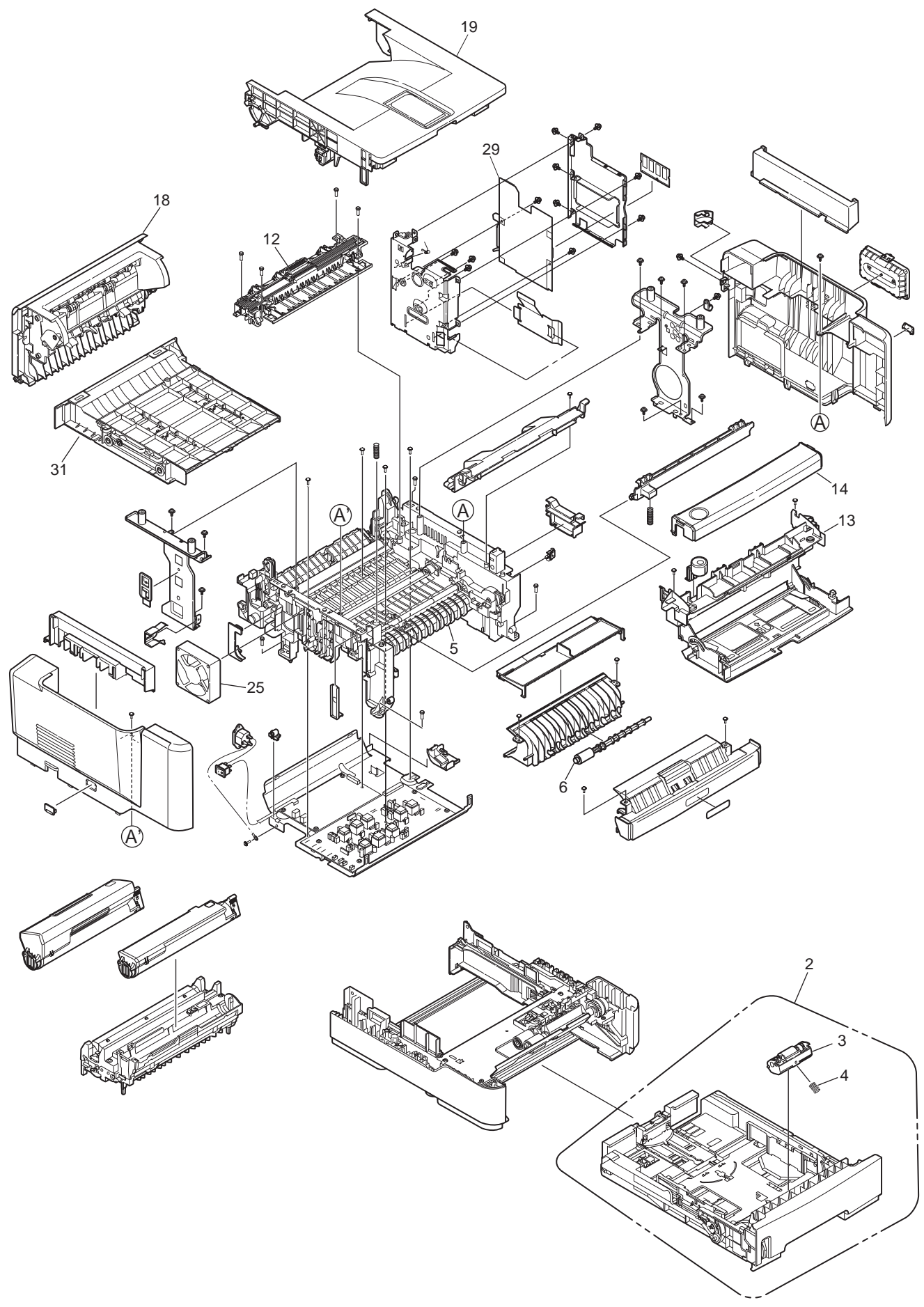
No.	Part No.	Part Name	Q'ty /Unit	Recommended Q'ty/Year			Remarks
				per 500	per 1000	per 2000	
1	43725401	Paper-Tray Assy	1	1	2	4	
2	43725501	Pad up Assy	1	1	2	4	
3	43725602	ADF PCBA	1	2	4	8	
4		ADF Hinge	2	1	2	4	
5	44254001	ASSY ADF WINDOW	1	1	2	4	

Flatbed Unit (MB460)



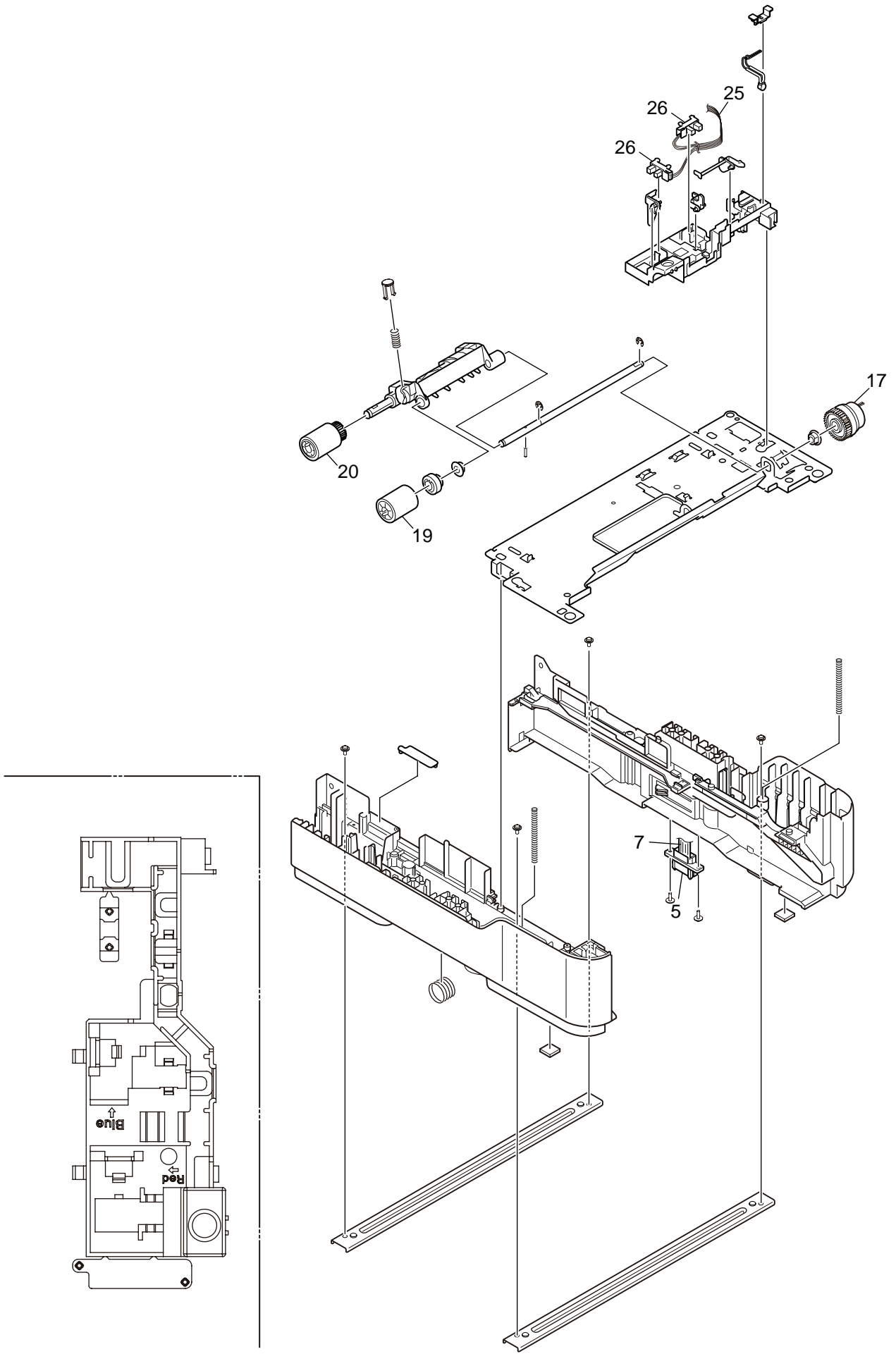
No.	Part No.	Part Name	Q'ty /Unit	Recommended Q'ty/Year			Remarks
				per 500	per 1000	per 2000	
1	43725803	OP Panel Assy	1	1	2	4	
2	43725902	OP Panel PCBA	1	2	4	8	
3	43726003	Main-PCBA	1	2	4	8	

Printer Unit (MB460)



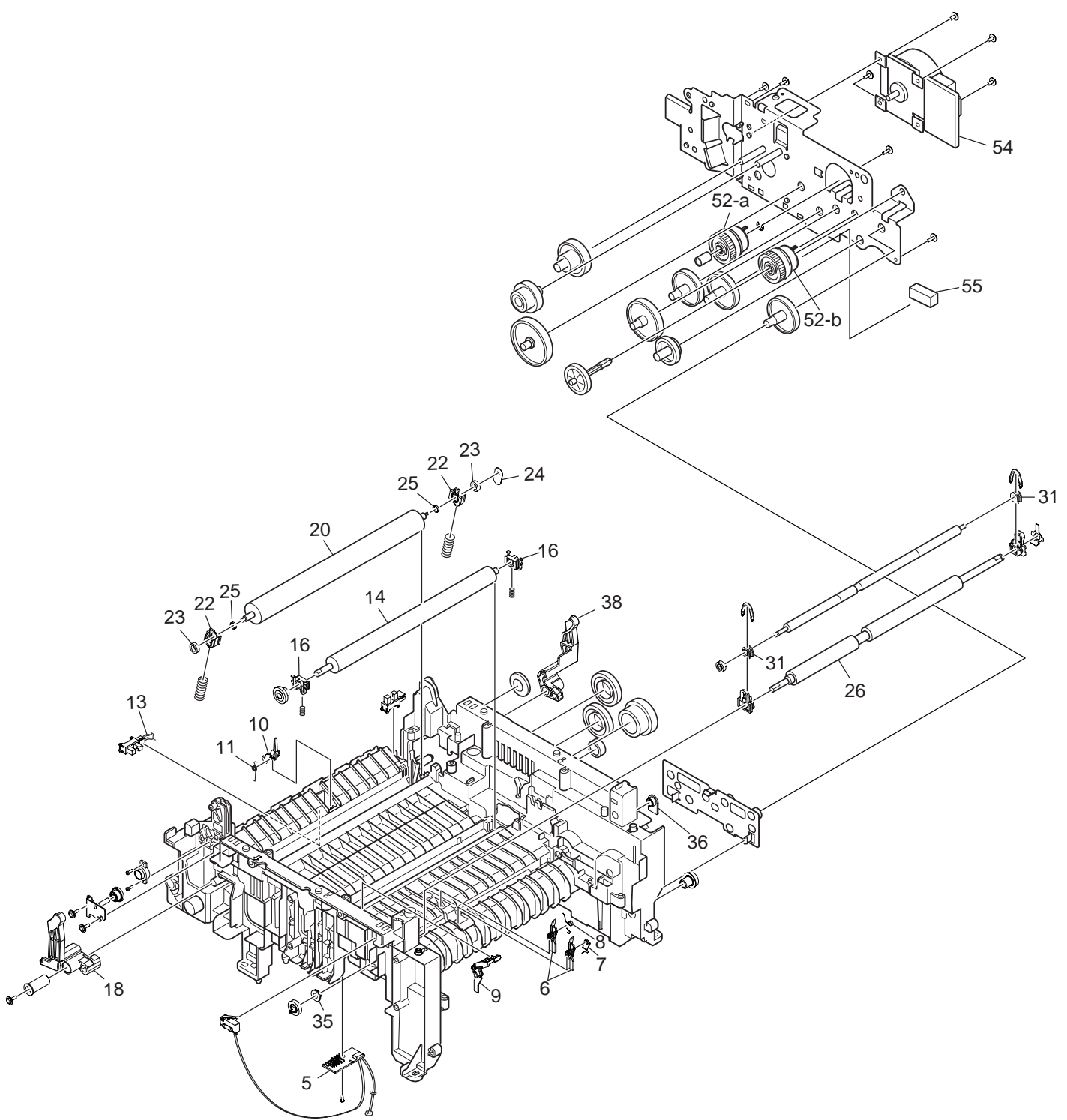
No.	Part No.	Part Name	Q'ty /Unit	Recommended Q'ty/Year			Remarks
				per 500	per 1000	per 2000	
2	43993301	Cassette-Assy.(250sht)	1	1	2	4	
3	43895001	Frame-Assy-Retard	1	1	2	4	
4	43963101	Spring-Retard	1	1	2	4	
5		Frame-Assy.-Lower(Manual)	1	1	2	4	
6	44071801	Roller Assy.-Feed	1	1	2	4	
12-a	43993901	Fuser-Assy.(120V)	1	5	10	20	120V
12-b	43993902	Fuser-Assy.(230V)	1	5	10	20	230V
13	43994201	Front-Assy.-Manual	1	1	2	4	
14	44296501	Cover-OPE-Panel	1	1	2	4	
18	43994704	Cover-Assy.-Rear(MFP)	1	1	2	4	
19	43994807	Cover-Assy.-Stacker(MFP_600dpi)	1	1	2	4	
25	43400301	Motor-Fan	1	1	2	4	
29	44170903	Board-Maintenance-86M-3	1	1	2	4	
31		Duplex-Assy.	1	1	2	4	

Base-Assy (MB460/470)



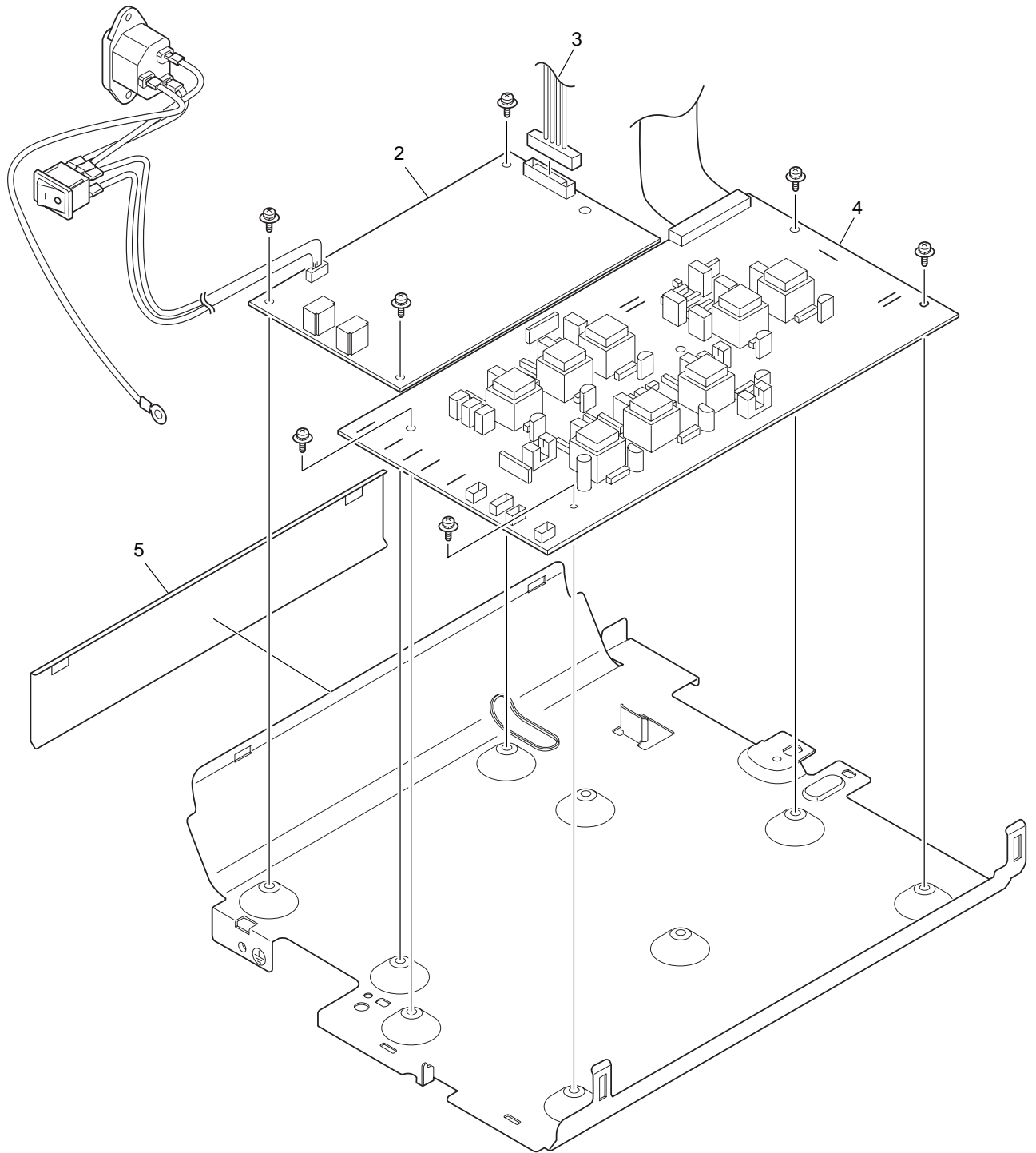
No.	Part No.	Part Name	Q'ty /Unit	Recommended Q'ty/Year			Remarks
				per 500	per 1000	per 2000	
7		CONN Cord-AMP8P-AMP8P	1	1	2	4	
17	43905401	Gear-Assy-Clutch	1	1	2	4	
19	43000601	Roller-Feed-NOW	1	1	2	4	
20	42699401	Roller-Pick-Up	1	1	2	4	
25	43961501	CONN Cord-AMP7-AMP3PX2	1	1	2	4	
26	40135301	Photo-Interrupter	2	2	4	8	

Frame-Lower-Assy



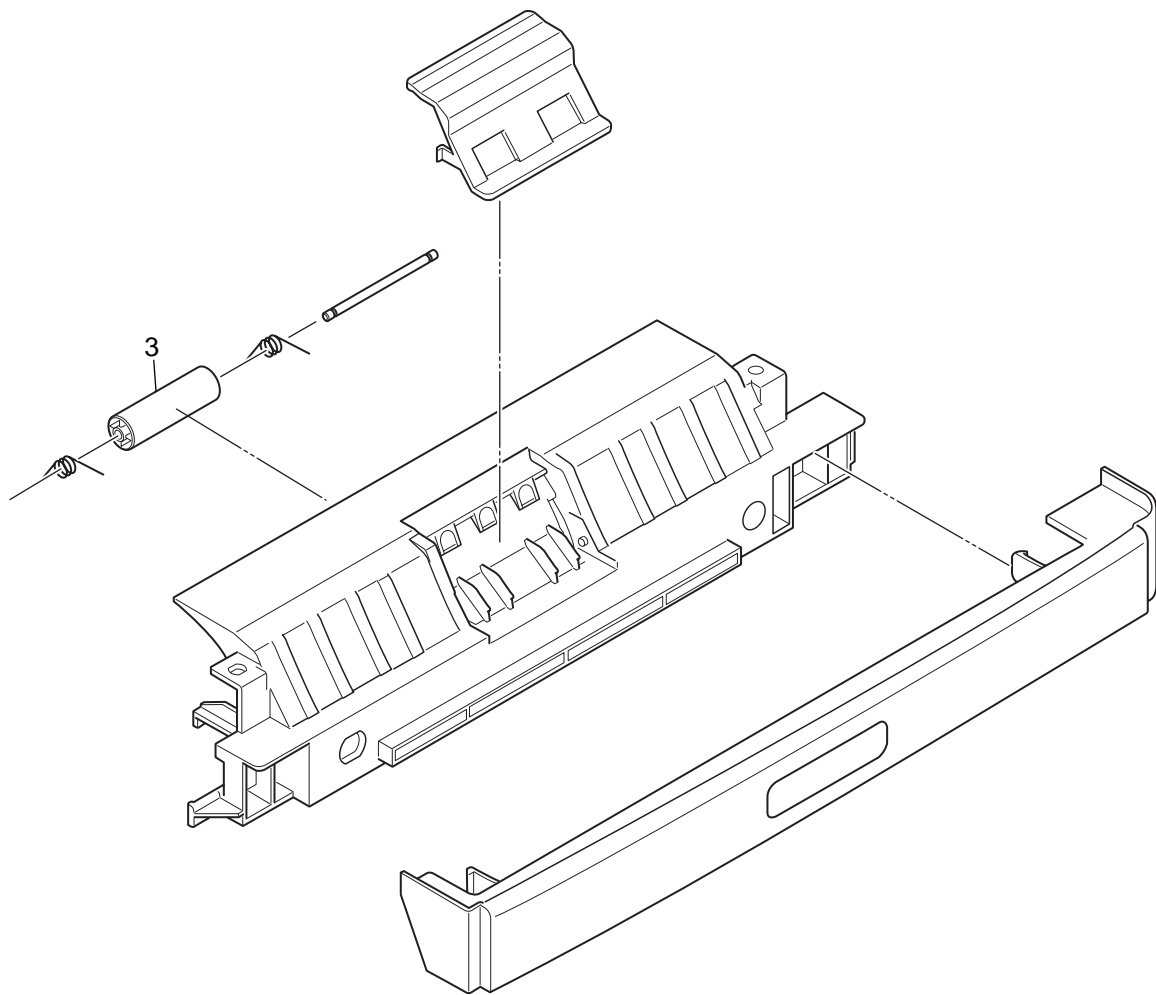
No.	Part No.	Part Name	Q'ty /Unit	Recommended Q'ty/Year			Remarks
				per 500	per 1000	per 2000	
5	43998001	Board-TT1	1	1	2	4	
6	43903301	Lever-In-Sensor	2	2	4	8	
7		Spring-Sensor_IN	1	1	2	4	
8		Spring-WriteSensor	1	1	2	4	
9		Sensor-Toner(Adhesive)	1	1	2	4	
10	43206401	Lever-Eject-Sensor	1	1	2	4	
11		Spring-SNS(F/R)	1	1	2	4	
13		CONN Cord-AMP6P-AMP3PX2	1	1	2	4	
14	43979601	Roller-Transfer(282)	1	1	2	4	
16	43330101	Bearing-TR	2	2	4	8	
18	43903601	Lever-Reset-L	1	1	2	4	
20	44002201	OR-Roller-Back up	1	1	2	4	
22		Holder-BU	2	2	4	8	
23		Bearing-Ball	2	2	4	8	
24		WASHER C	1	1	2	4	
25		Collar	2	2	4	8	
26	43903701	Roller-Registration	1	1	2	4	
31	41279401	Bearing-Pressure	2	2	4	8	
35		Bearing-Regist L	1	1	2	4	
36		BEARING R	1	1	2	4	
38	43904001	Lever-Reset-R	1	1	2	4	
52-a	43905402	Gear-Assy-Clutch	1	1	2	4	Cable color;Blue
54	43906601	Motor-DC-Main	1	1	2	4	

PCB-Assy



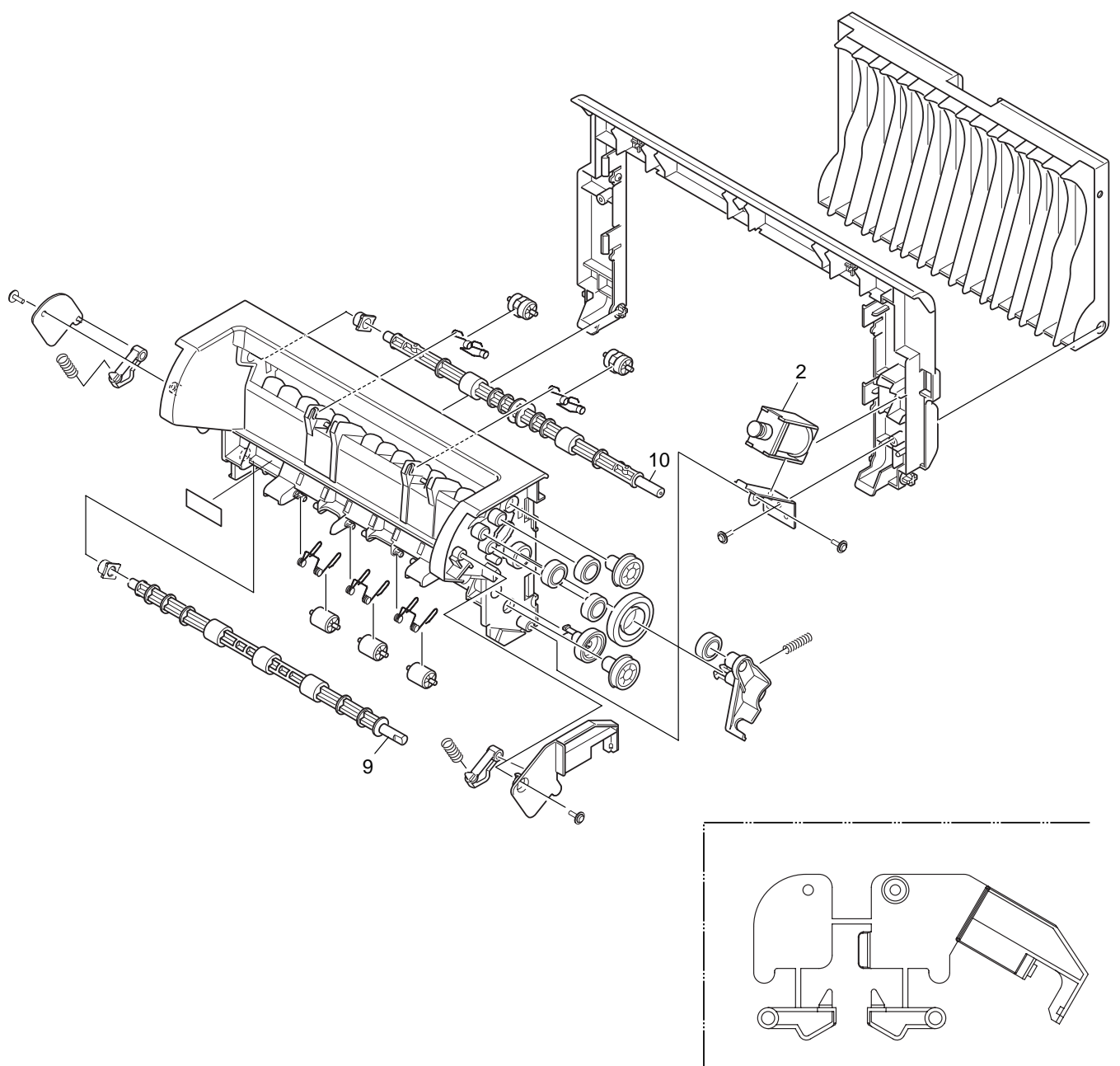
No.	Part No.	Part Name	Q'ty /Unit	Recommended Q'ty/Year			Remarks
				per 500	per 1000	per 2000	
2-a	43932702	PWR unit-ACDC Switch	1	1	2	4	LVPS (120)
2-b	44339002	PWR unit-ACDC Switch(230V)	1	1	2	4	LVPS (230)
3		JST10P-JST10P CONN Cord-Wire	1	1	2	4	
4	44263801	OR-Board-87H	1	1	2	4	HVPS
5		Film-Guide-Dup	1	1	2	4	

Front-Guide-Assy (MB460)



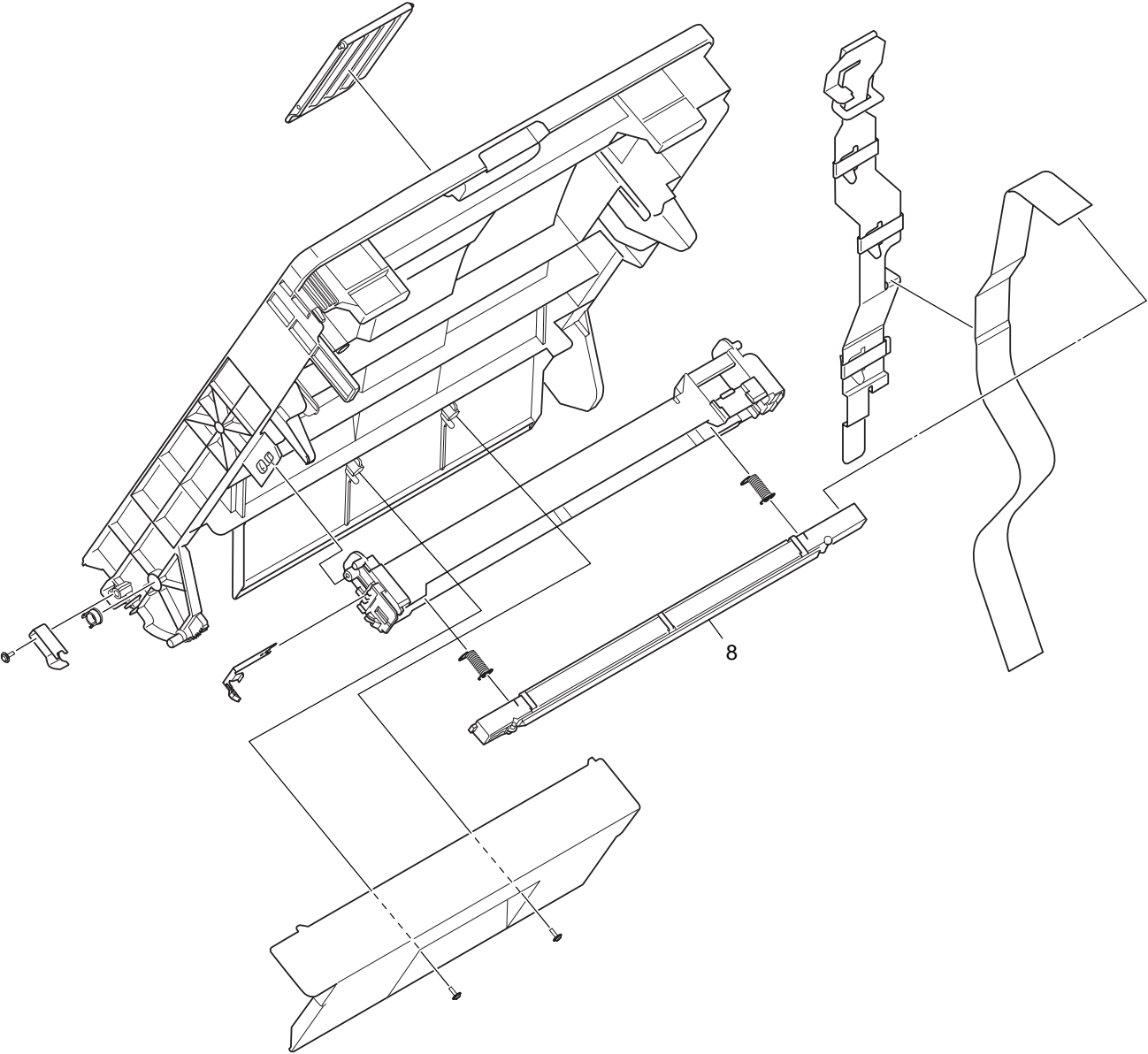
No.	Part No.	Part Name	Q'ty /Unit	Recommended Q'ty/Year			Remarks
				per 500	per 1000	per 2000	
3	43355101	Roller-Pinch	1	1	2	4	

Rear-Cover-Assy



No.	Part No.	Part Name	Q'ty /Unit	Recommended Q'ty/Year			Remarks
				per 500	per 1000	per 2000	
2		Solenoid	1	1	2	4	
9	43995301	Roller-Assy.-Eject(FU)	1	1	2	4	
10	43995401	Roller-Assy.-Eject(FD)	1	1	2	4	

Stacker-Cover-Assy



No.	Part No.	Part Name	Q'ty /Unit	Recommended Q'ty/Year			Remarks
				per 500	per 1000	per 2000	
8	43406901	LED Head Unit-51STB	1	1	2	4	