

MB260MFP Spare Parts Illustration Manual

170809A

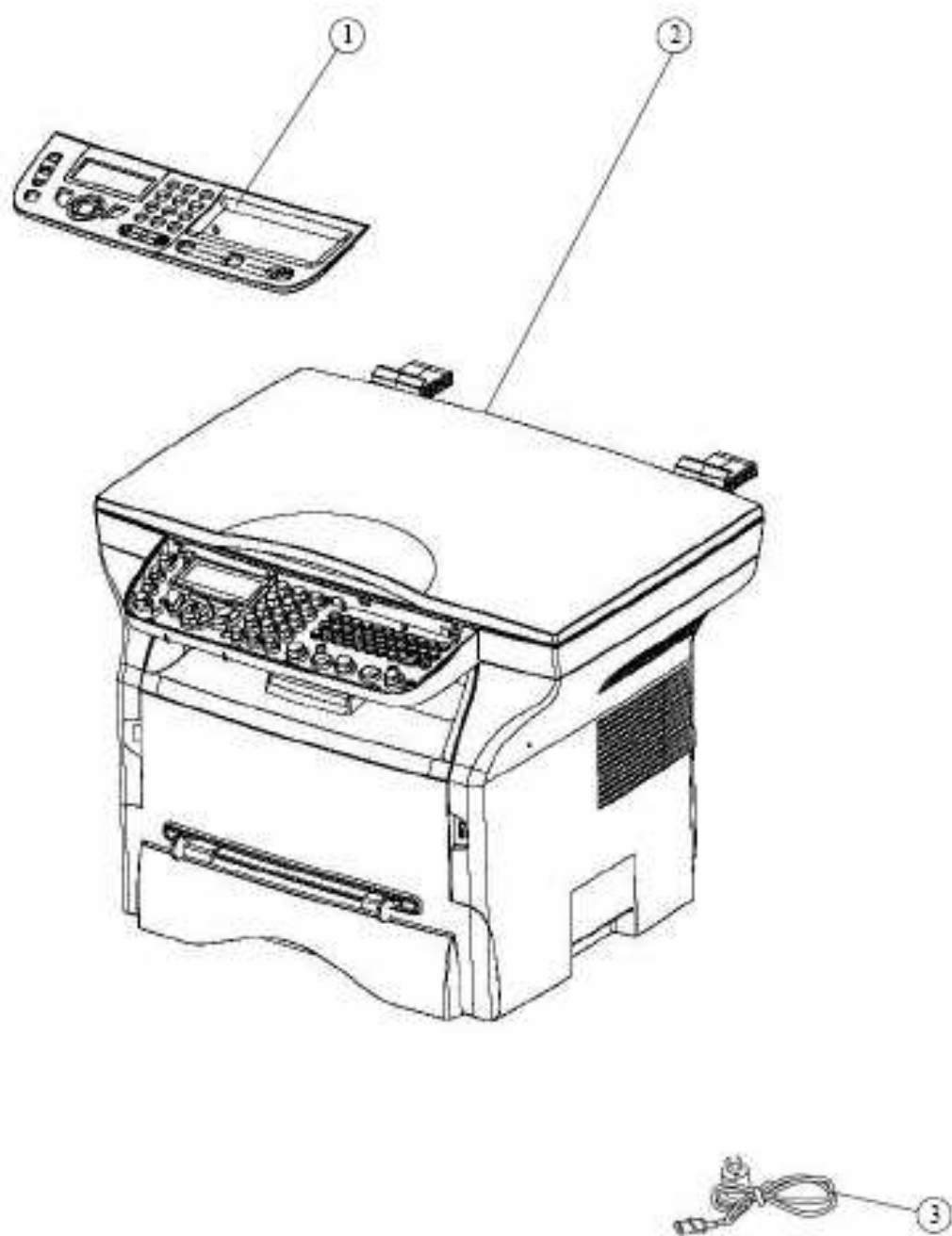


PLANCHE 1 / FIGURE 1

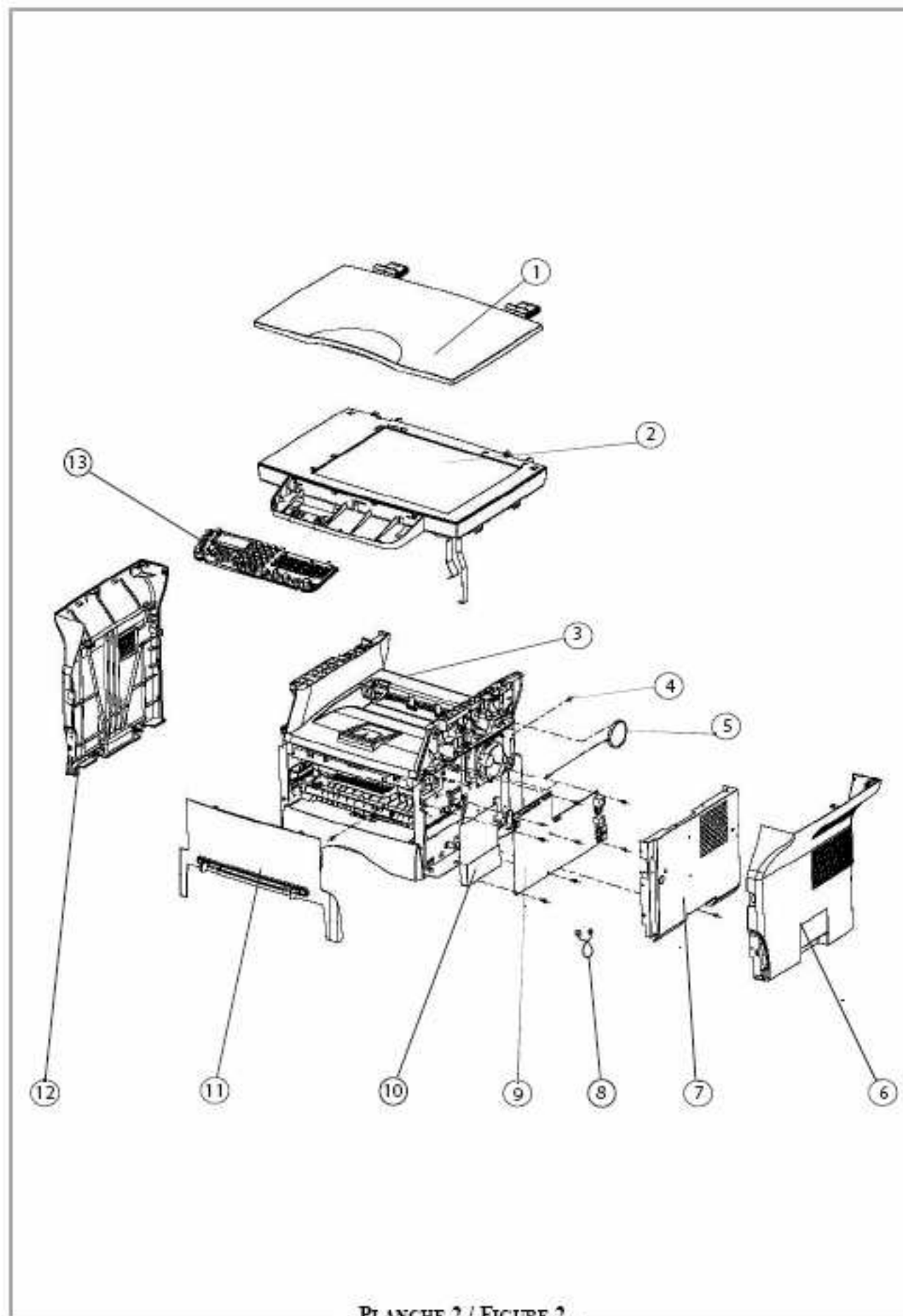


PLANCHE 2 / FIGURE 2

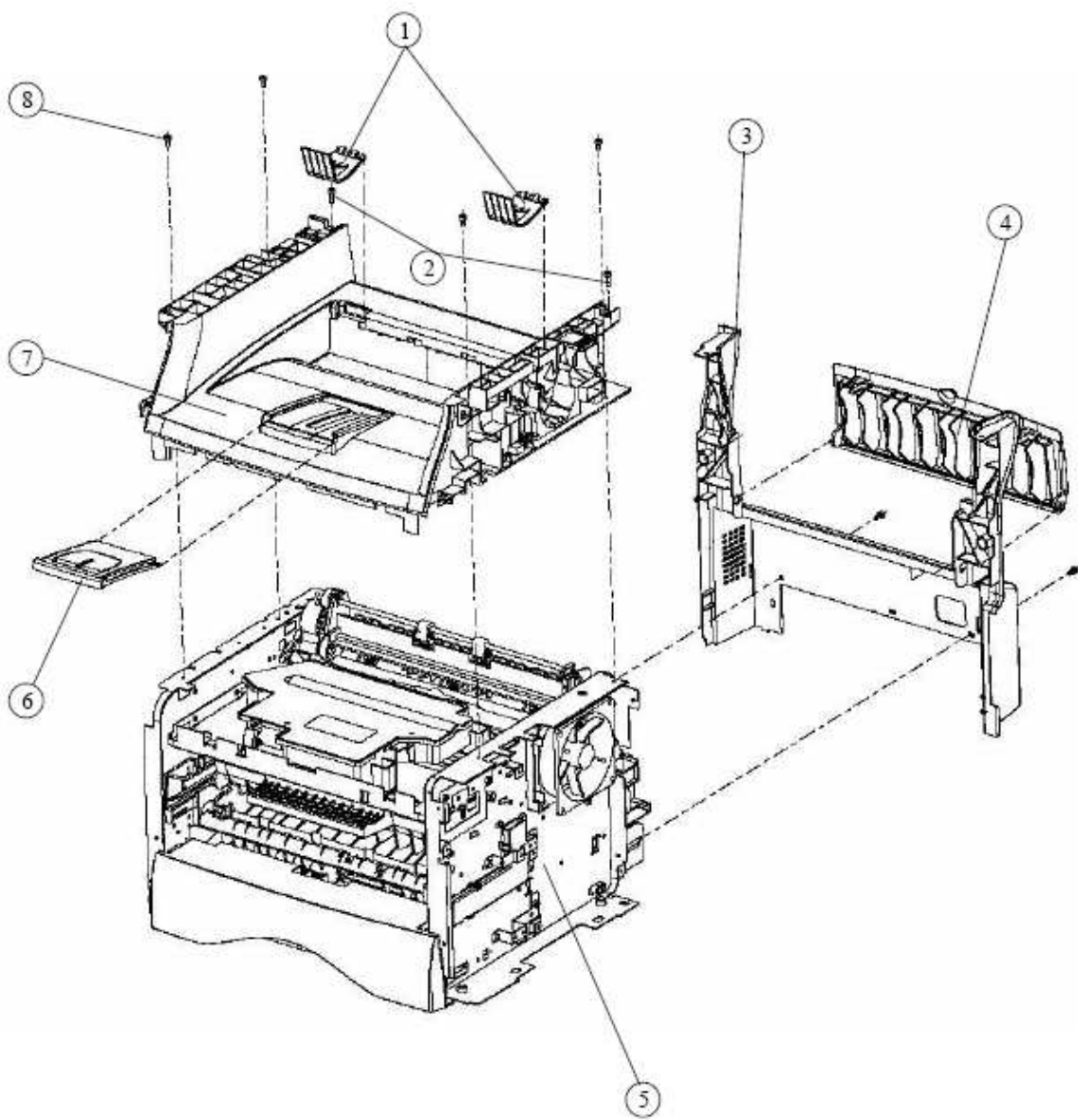


PLANCHE 3 / FIGURE 3

Vue de dessous
Bottom view

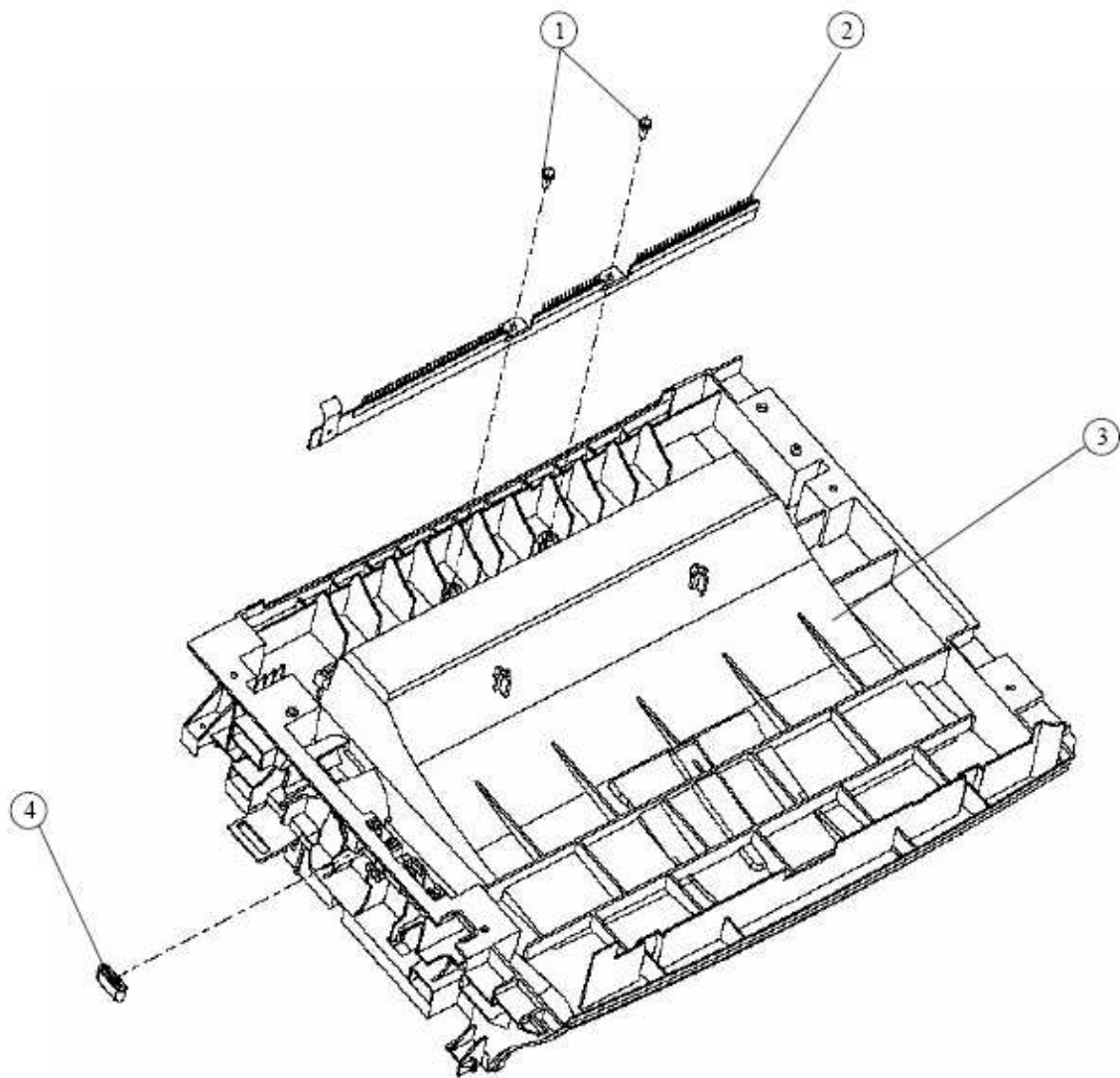


PLANCHE 4 / FIGURE 4

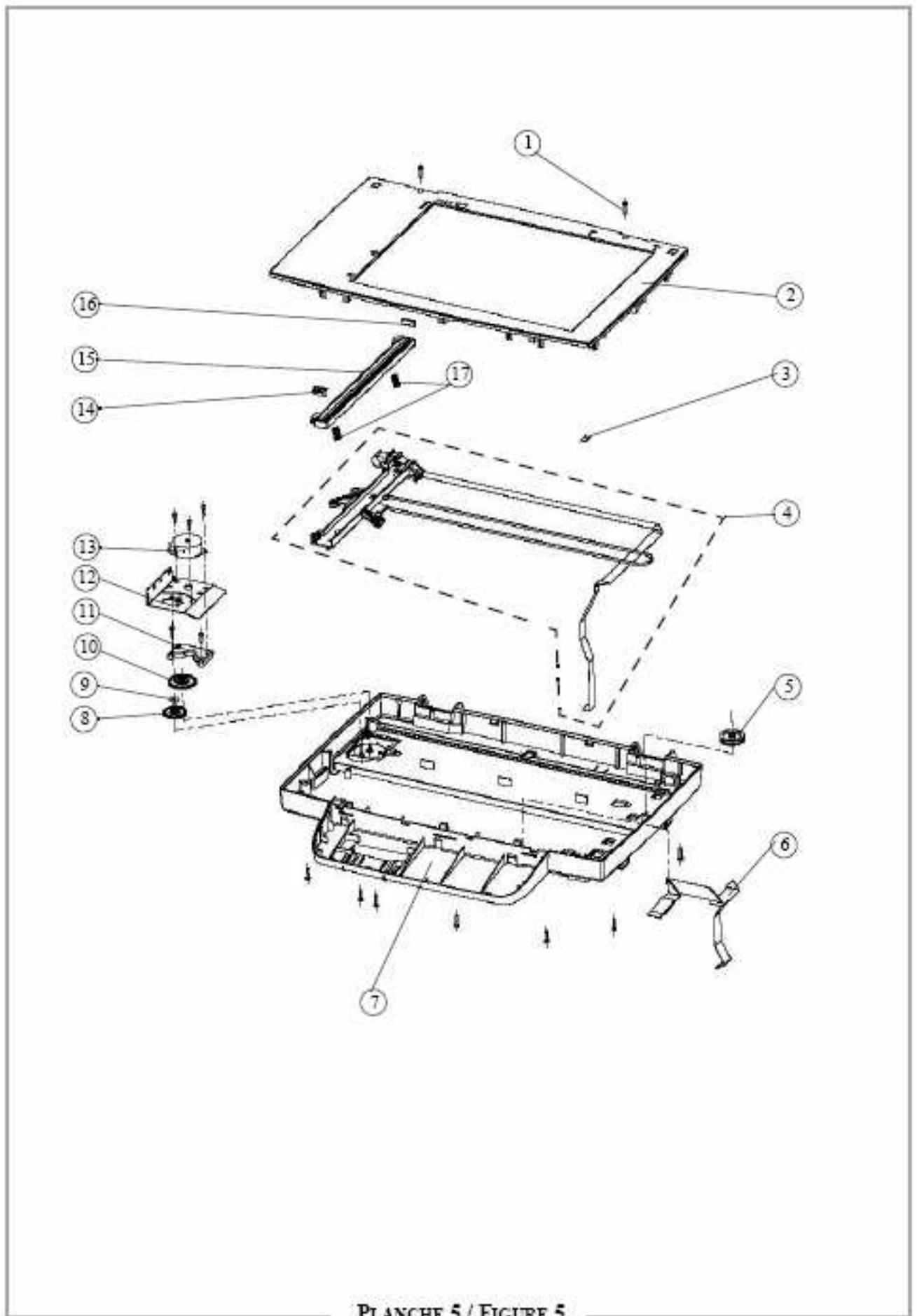


PLANCHE 5 / FIGURE 5

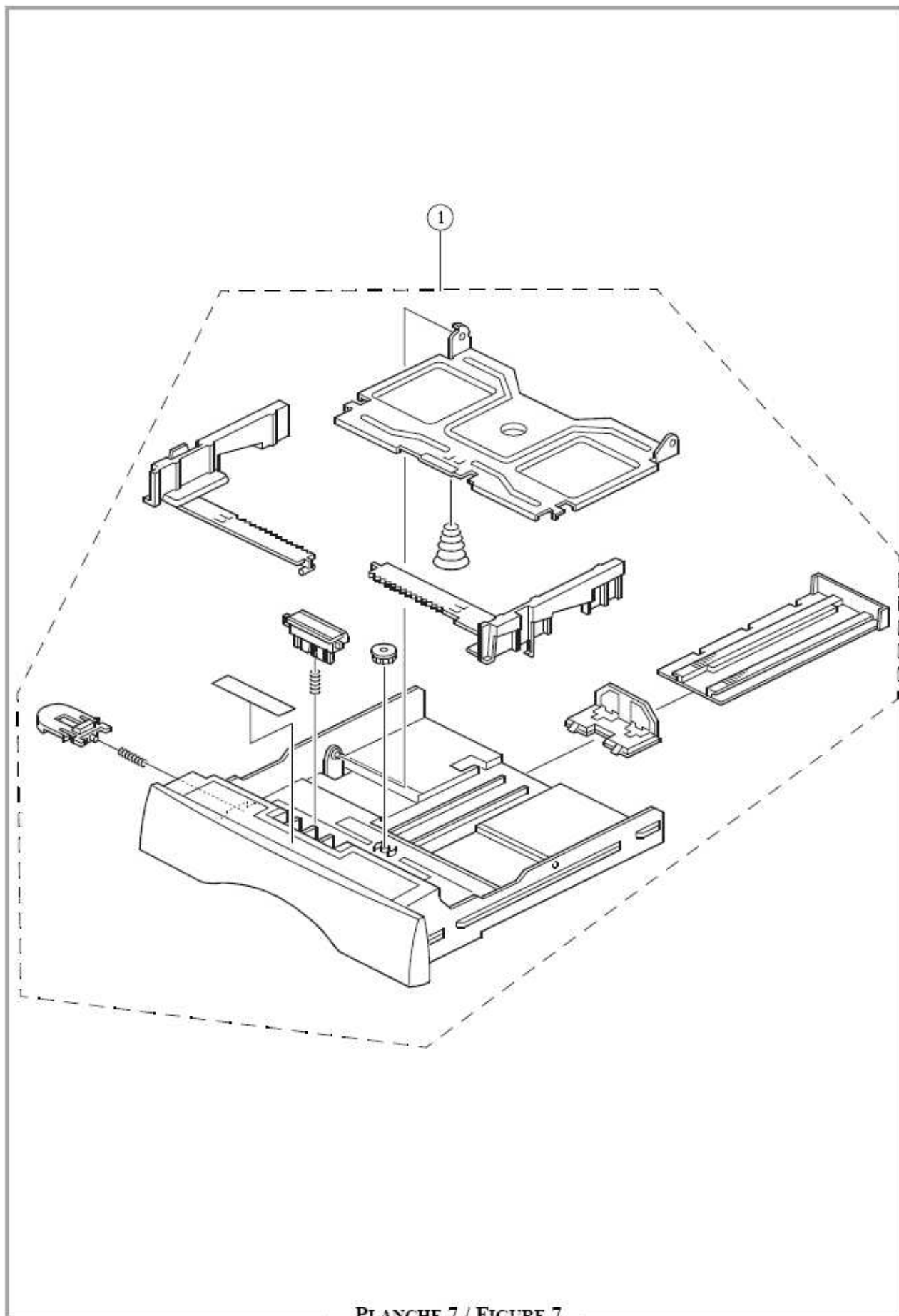


PLANCHE 7 / FIGURE 7

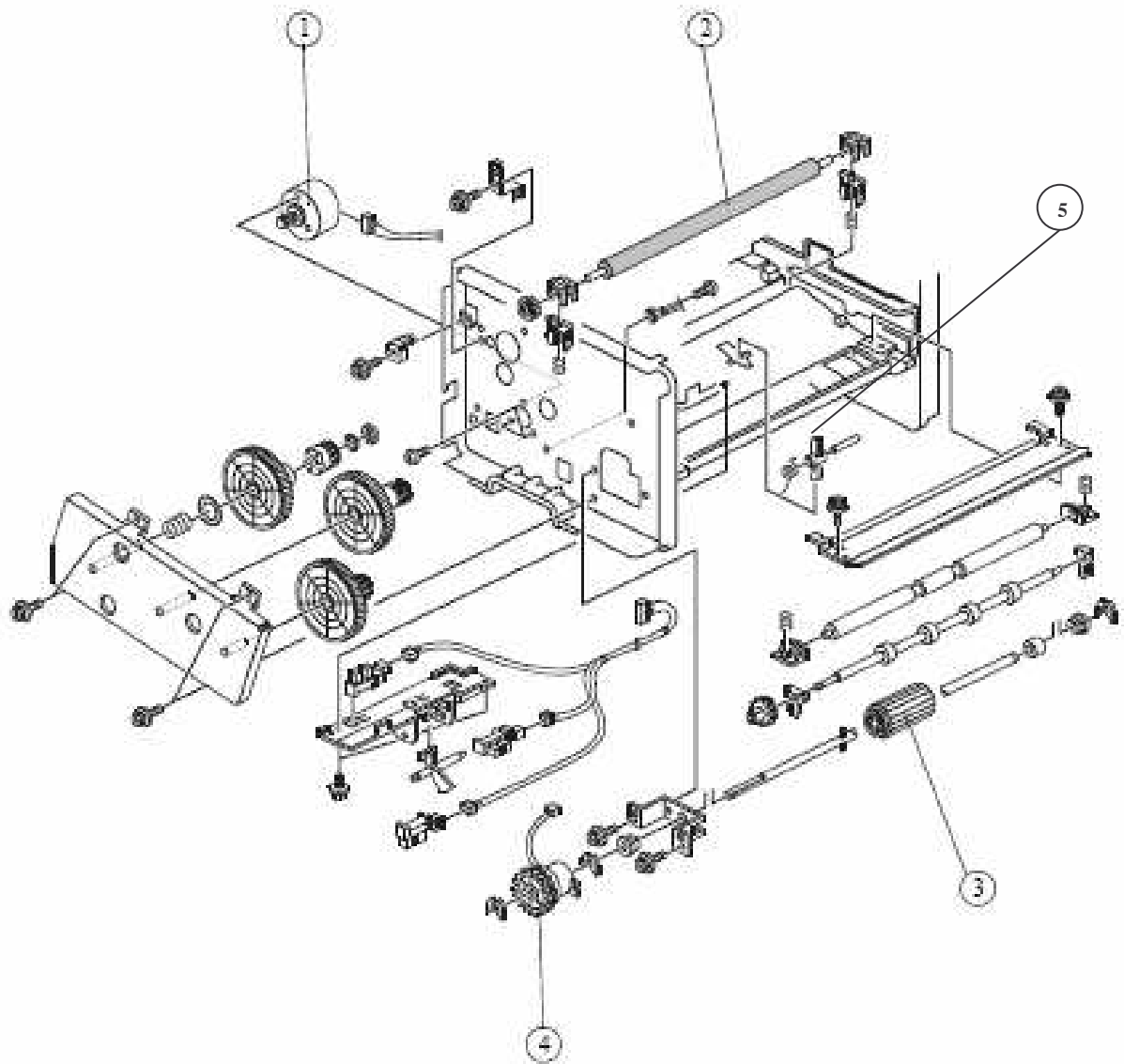


PLANCHE 8 / FIGURE 8

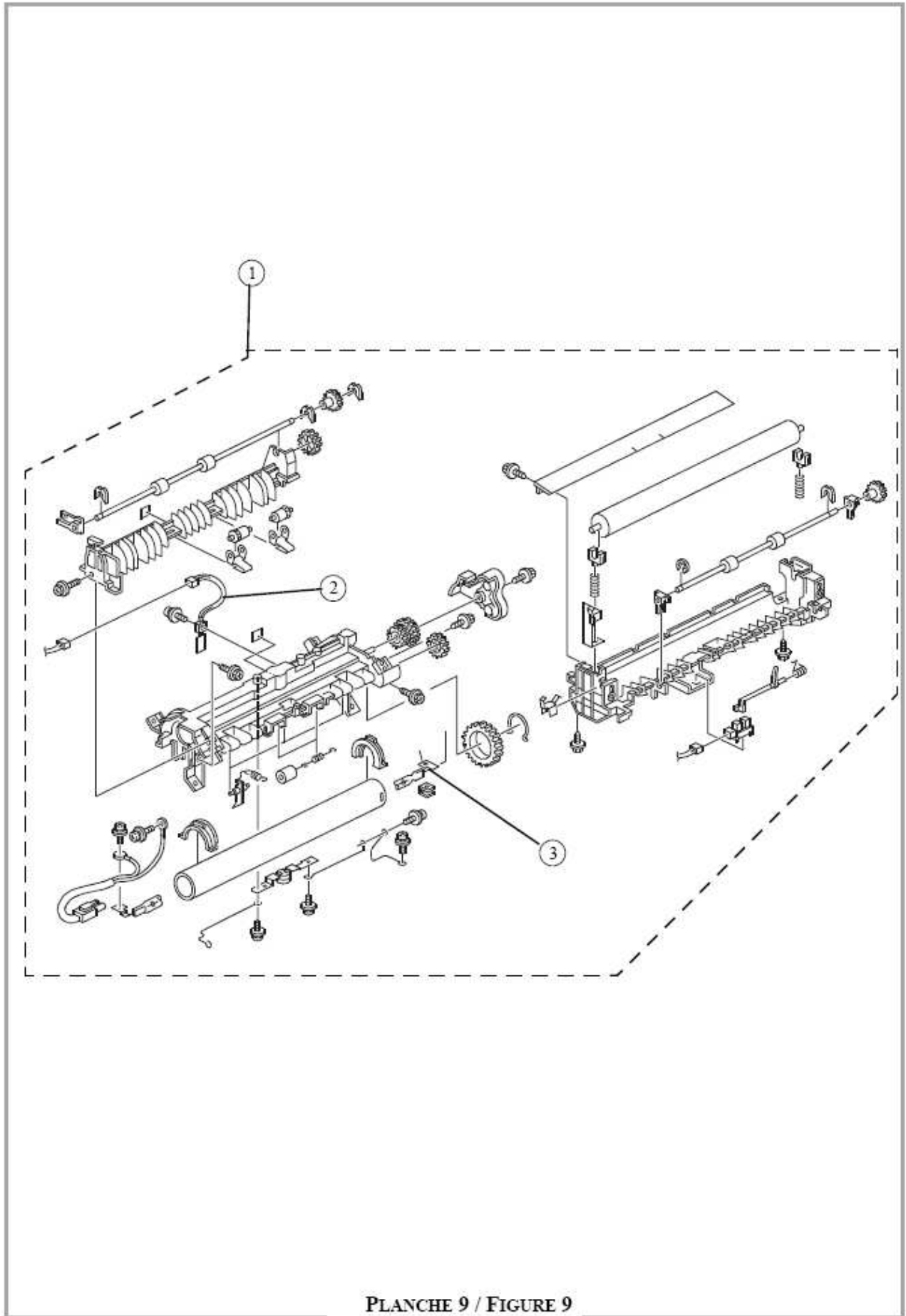


PLANCHE 9 / FIGURE 9

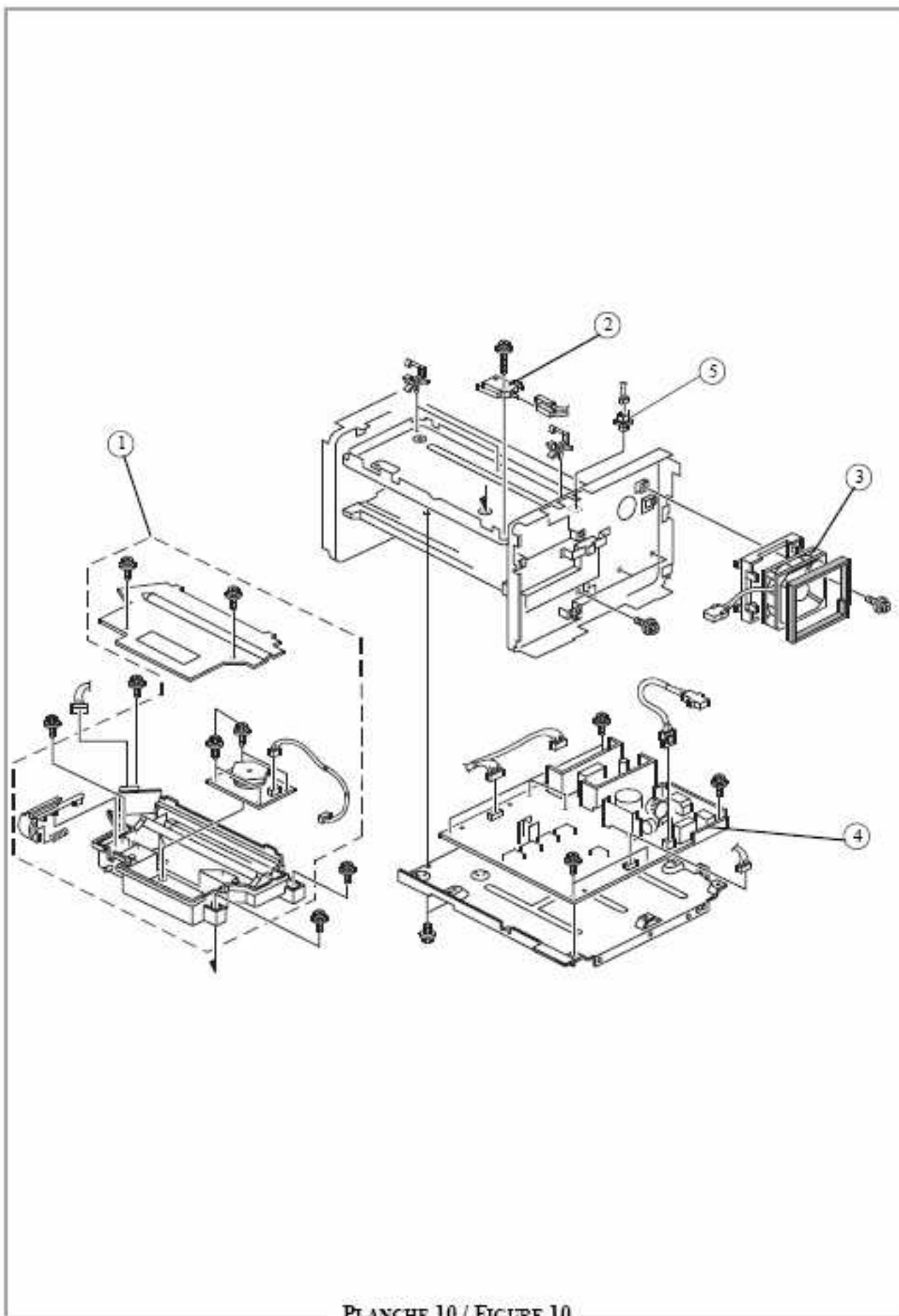


PLANCHE 10 / FIGURE 10

Figure	Item Number	Part Number	Description
1	1	53100601	Front panel MB260
1	3	56642501	AC Power cord United States
2	1		Scanner cover flat bed assy white gray
2	2	50242001	Scanner Flat Bed LFF1 assembly V2 (see figure 5)
2	5		Loud speaker
2	6	53099901	Right printer cover LFF V2 colored
2	9	55108301	Main PCB board MB260 (United States)
2	10		Security mylar
2	11	53359501	Printer front door assembly
2	12	53100001	Left printer cover LFF V2 colored
2	13	53100701	Front panel support assy LFF1 V2
3	1	51032302	Printer exit paper guide
3	3	53100201	Printer back cover LFX V2 colored
3	4	53089393	Cover rear
3	6	50235618	Tray exit + extend
3	7		Equipped interface V2 (see figure 4)
4	2	51311094	Discharge brush
4	3		Interface LFX V2 colored
4	4		Ferrite flat cable CIS 12 pin
5	2	50242101	Scanner frame LFF1 assembly
5	4	50519008	CIS support LFX (see fig 6)
5	5	51256104	CIS drive pulley colored
5	6	56642601	Console cord 16 pin
5	13	56523114	Scanner motor LFF
5	14	51032424	CIS slider left colored
5	15	56802801	CIS A4 600 DPI 1.5MS 3.3V LF
5	16	51032432	CIS slider right colored
5	17	50937401	CIS spring
6	2	56641542	Ferrite flat cable CIS 12 pin
7	1	50235101	Paper tray unit
8	1	56526101	Brushless motor - DC24V
8	2	53359101	Transfer roller
8	3	53359201	Paper feed roller - MM32
8	4	51402401	Magnetic Clutch - 43Z
8	5	53365401	Actuator - Paper Pick-up Sensor
9	1	50241701	Fusing unit (US)
9	2		Fusing thermistor
9	3		Heater - 600W (US)
10	1	50241801	Laser unit
10	2	56215701	Micro switch
10	3	56523001	Fan Motor
10	4	56422501	Power supply unit (US)
10	5	56217601	Push switch