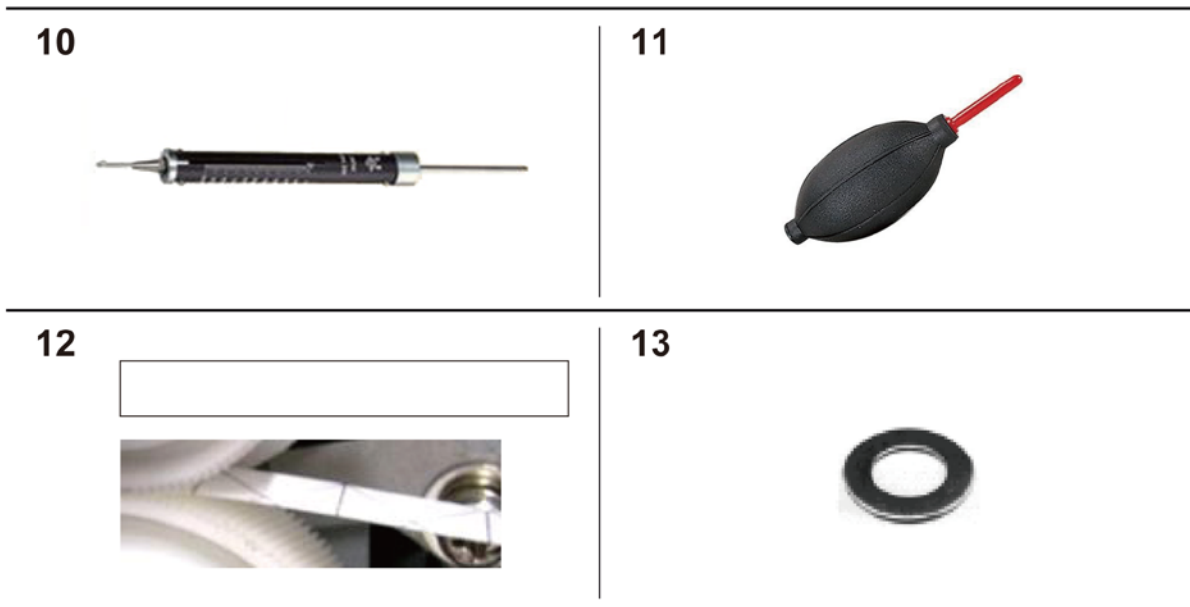


**JIGS LIST**

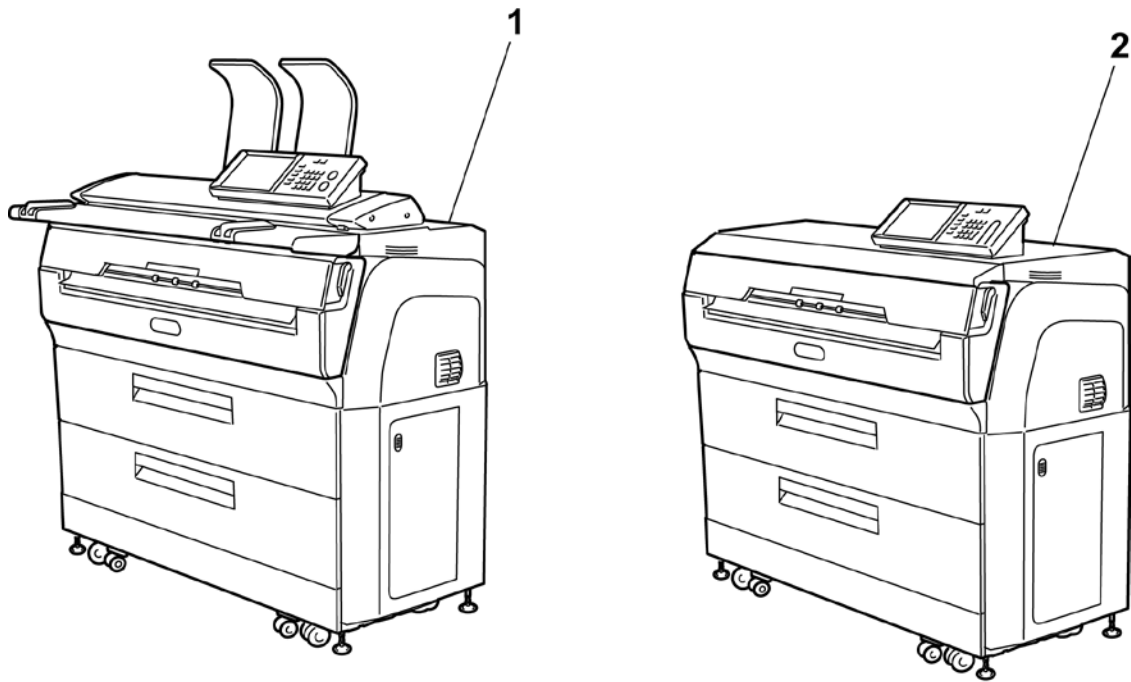


Jigs Recommended Parts List

No.	Part Number	Part Name	P	Q	R/C	S/O	Note
1	U001209273xx	COTTON CIEGAL MNT	1		R		For drum cleaning, containing 20 units (100 pcs/unit)
2	30790-0125	HR CLEANER	1		R		HR cleaner, pack of 10
3	U001034706xx	OPC CLEANER	1		R		Also usable with LP-1010, contains 1 liter (UN drum)
4	U001223640xx	ADJUSTER KIT (SCANNER)	1		R		Color and monochromatic original documents for scanner adjustment
5	U001221210xx	ADJUSTMENT KIT (COLOR SCANNER)	1		R		Color and monochromatic original documents for scanner adjustment
6	U001083903xx	Copy/Scan Color Chart1 Set	1		R		10 color original documents for scanner adjustment
7	U001209870xx	CONTACT GREASE MNT	1		R		GE-676 (1kg/can)
8	U001215450xx	HEATPROOF GREASE MNT	1		R		FG-65W (1kg/can)
9	U001242145xx	TOOLKIT MNT	1		R		Nut driver and open-end wrench set
10	U001280463xx	PUSH-PULL GAUGE	1		R		For tension adjustment of the process cartridge unit timing belt
11	U001307531xx	AIR BLOW TOOL	1		R		For cleaning connectors
12	U001282138xx	GEAR-SPACER MNT	100		R		For gear adjustment
13	U001328477xx	SPACER CUTTER MNT	50		R		For cutter adjustment

**P:** Quantity per package, **Q:** Used quantity, **R:** Recommended part, **C:** Consumable, **S:** Selectable, **O:** Optional

1. PRINTER CONFIGURATION VIEW



Parts list (PRINTER CONFIGURATION)

No.	Part Number	Part Name	P	Q	R/C	S/O	Note
1	—	LP-1040-MF MAIN UNIT		(1)			
2	—	LP-1040 MAIN UNIT		(1)			

P: Quantity per package, Q: Used quantity, R: Recommended part, C: Consumable, S: Selectable, O: Optional

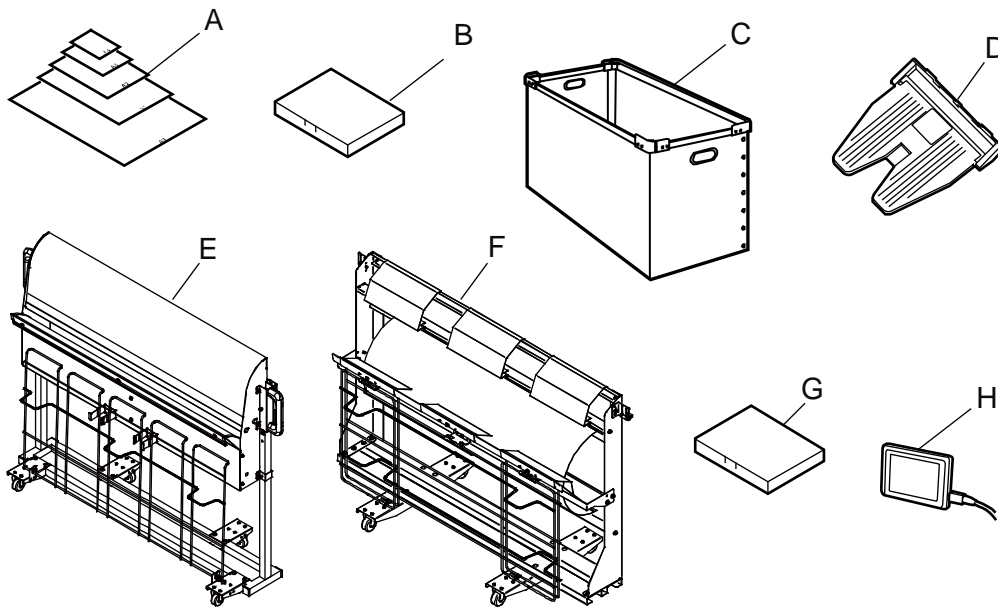
**MAIN UNIT DEVELOPED VIEW**

Parts list (MAIN UNIT DEVELOPED VIEW (MF))

No.	Part Number	Part Name	P	Q	R/C	S/O	Note
1	U100000901xx	COVER-UNIT(MF)-LOW-1040		(1)			
2	U001217744xx	WASTE TONER BOTTLE UNIT LOW		(1)	C		LP-850
3	U001217902xx	CUTTER UNIT LOW		(1)	C		
4	U001194963xx	DEVELOPER UNIT		(1)	R		
5	U001195356xx	DRIVE-UNIT		(1)			
6	U100000940xx	ELECTRICAL-UNIT-LOW(MF)-1040-100V		(1)		S	For North America
6	U100000941xx	ELECTRICAL-UNIT-LOW(MF)-1040-200V		(1)		S	For Europe and China
7	U001217801xx	FUSER BASE UNIT LOW		(1)			
8	U001222975xx	FUSER UNIT LOW 120V		(1)		S	For North America
8	U001222986xx	FUSER UNIT LOW 230V		(1)		S	For Europe and China
9	U100000899xx	MAIN FRAME UNIT LOW 1040		(1)			
10	U100000842xx	MF-PANEL-UNIT-T2E		(1)			
11	U001192353xx	PROCESS CARTRIDGE UNIT		(1)	C		LP-852
12	U100000955xx	ROLL FEED UNIT LOW 1040		(1)			
13	U001218453xx	SUB FRAME UNIT(LOW)		(1)			
14	U001189181xx	TRANSFER ROLLER-UNIT		(1)			
15	U001200598xx	TRANSPORT UNIT		(1)	R		
16	U100000939xx	SCANNER-UNIT-LOW-1040		(1)			
17	U001226520xx	HOLDER(TRA-UNIT)-LOW-ASSY		(1)			
18	U001217676xx	BUFFER UNIT LOW		(1)			
19	U100000858xx	PANEL-OVERLAY-MF-T2E-ENG		1		S	English
19	U100000859xx	PANEL-OVERLAY-MF-T2E-CHI		1		S	Chinese
20	U001239300xx	ROLL FLANGE LGW ASSY		(4*)			Two pieces with LP-871
21	30790-0034	Toner cartridge		(3)	C		Two pieces with LP-761
22	U001282948xx	PROCESS CARTRIDGE 60 UNIT		(1)	C		LP-872

P: Quantity per package, Q: Used quantity, R: Recommended part, C: Consumable, S: Selectable, O: Optional

(2) Options (LP-1040-MF)



Parts list (Options (MF))

No.	Part Number	Part Name	P	Q	R/C	S/O	Note
A	U000991710xx	Carrier Sheet Set		(1)		O	LP-819
B	U001267288xx	Active Directory authentication		1		O	LP-868
C	U001223122xx	BUCKET(W)		(1)		O	LP-859
D	U001206180xx	OUTPUT TRAY		(1)		O	LP-853
E	U001228274xx	STACKER LOW		(1)		O	LP-862
F	U001233887xx	CATCH BASKET		(1)		O	LP-863
G	U001285200xx	TerioStation PDF Print		(1)		O	LP-874
H	U001232561xx	Smart card authentication kit		(1)		O	

P: Quantity per package, Q: Used quantity, R: Recommended part, C: Consumable, S: Selectable, O: Optional

**MAIN UNIT DEVELOPED VIEW**

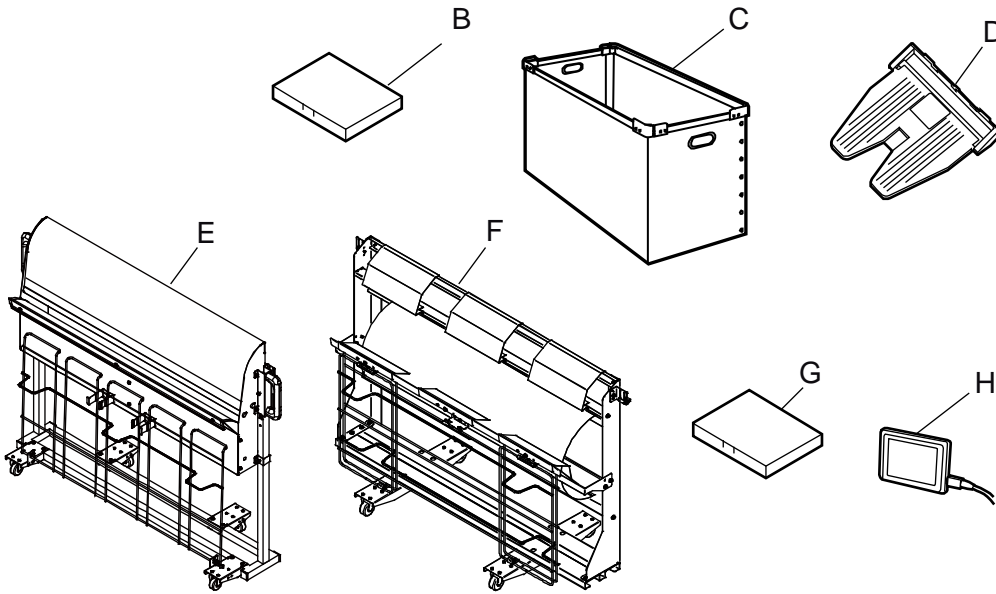
Parts list (MAIN UNIT DEVELOPED VIEW)

No.	Part Number	Part Name	P	Q	R/C	S/O	Note
1	U001222806xx	COVER-UNIT(PR)-LOW	(1)				
2	U001217744xx	WASTE TONER BOTTLE UNIT LOW	(1)		C		LP-850
3	U001217902xx	CUTTER UNIT LOW	(1)		C		
4	U001194963xx	DEVELOPER UNIT	(1)		R		
5	U001195356xx	DRIVE-UNIT	(1)				
6	U001218137xx	ELECTRICAL-UNIT-LOW(PR)-100V	(1)			S	For Japan and North America
6	U001221838xx	ELECTRICAL-UNIT-LOW(PR)-200V	(1)			S	For Europe and China
7	U001217801xx	FUSER BASE UNIT LOW	(1)				
8	U001218183xx	FUSER UNIT LOW 100V	(1)			S	For Japan
8	U001222975xx	FUSER UNIT LOW 120V	(1)			S	For North America
8	U001222986xx	FUSER UNIT LOW 230V	(1)			S	For Europe and China
9	U001217316xx	MAIN FRAME UNIT LOW	(1)				
10	U100000853xx	PL-PANEL-UNIT-T2E	(1)				
11	U001192353xx	PROCESS CARTRIDGE UNIT	(1)		C		LP-852
12	U001218453xx	ROLL FEED UNIT LOW	(1)			S	For upper and lower roll paper drawers
12	U001223245xx	ROLL FEED UNIT LOW(S)	(1)			S	For lower roll paper drawer only
13	U001226542xx	SUB FRAME UNIT(LOW)	(1)				
14	U001189181xx	TRANSFER ROLLER UNIT	(1)				
15	U001200598xx	TRANSPORT UNIT	(1)		R		
16	U001226520xx	HOLDER(TRA-UNIT)-LOW-ASSY	(1)				
17	U001217676xx	BUFFER UNIT LOW	(1)				
18		PANEL-OVERLAY-PL-T2E-ENG	1			S	English
18		PANEL-OVERLAY-PL-T2E-CHI	1			S	Chinese
19	U001239300xx	ROLL FLANGE LGW ASSY	(4)				Two pieces with LP-871
20	30790-0034	Toner cartridge		(3)	C		Two pieces with LP-761
21	U001282948xx	PROCESS CARTRIDGE 60 UNIT		(1)	C		LP-872

P: Quantity per package, Q: Used quantity, R: Recommended part, C: Consumable, S: Selectable, O: Optional

# MAIN UNIT DEVELOPED VIEW

## (2) Options (LP-1040)



Parts list (Options)

No.	Part Number	Part Name	P	Q	R/C	S/O	Note
B	U001267288xx	Active Directory authentication		1		O	LP-868
C	U001223122xx	BUCKET(W)		(1)		O	LP-817
D	U001206180xx	OUTPUT TRAY		(1)		O	LP-859
E	U001228274xx	STACKER LOW		(1)		O	LP-862
F	U001233887xx	CATCH BASKET		(1)		O	LP-863
G	U001285200xx	TerioStation PDF Print		(1)		O	LP-874
H	U001232561xx	Smart card authentication kit		(1)		O	

P: Quantity per package, Q: Used quantity, R: Recommended part, C: Consumable, S: Selectable, O: Optional

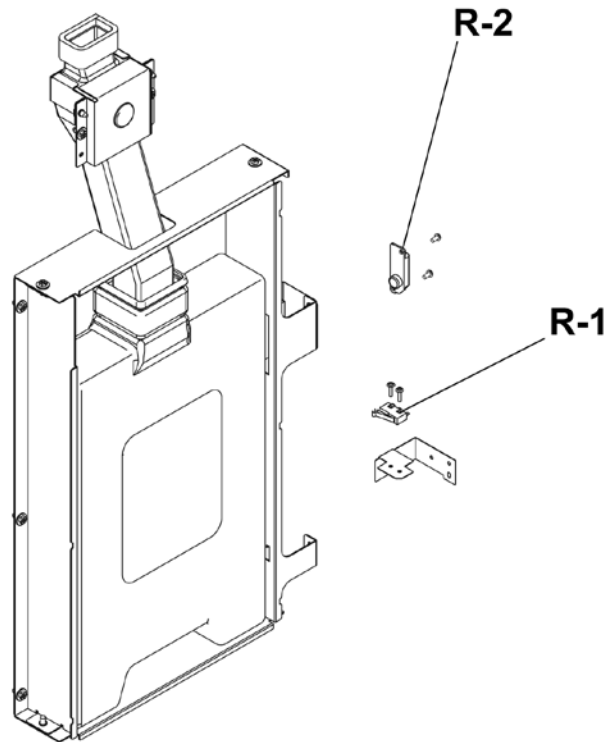
**COVER-UNIT**

Recommended parts list (COVER-UNIT)

No.	Part Number	Part Name	P	Q	R/C	S/O	Note
R-1	U001209611xx	PUSH LATCH MNT	—		R		
	U000441090xx	└ PUSH-LATCH	20	2			
R-2	U100001521xx	DCOVER-DEV-TOP(MF)-1040-MNT	—		R		
	U100000903xx	└ COVER-DEV-TOP-1040	1	1			
	U100000904xx	└ COVER-TONER-EXCHANGE-1040	1	1			
	U000441090xx	└ PUSH-LATCH	1	1			
	U001228162xx	└ SPRING-COVER-TONER	1	1			
	U001228162xx	└ SPRING-COVER-TONER	1	1			
R-3	U100001607xx	DOCUMENT-TABLE-LOW-1040-MNT	—		R		
	U100000933xx	└ DOCUMENT-TABLE-LOW-1040-ASSY	(1)	(1)			

P: Quantity per package, Q: Used quantity, R: Recommended part, C: Consumable, S: Selectable, O: Optional

## 4. WASTE TONER BOTTLE UNIT



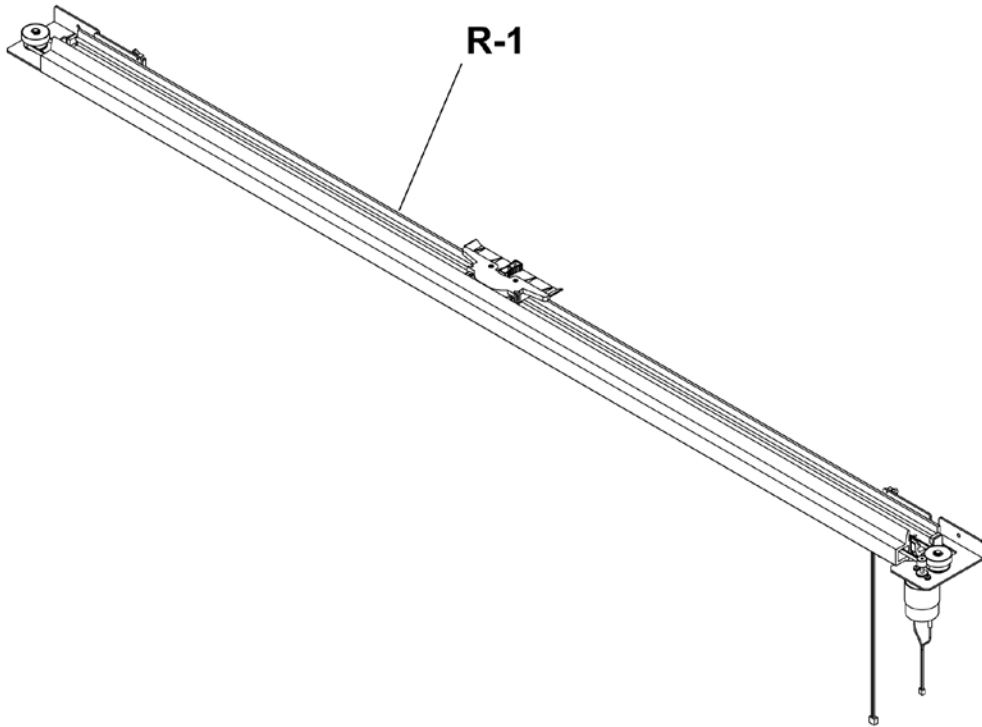
Recommended parts list (WASTE TONER BOTTLE UNIT)

No.	Part Number	Part Name	P	Q	R/C	S/O	Note
R-1	U001207438xx	MICRO SWITCH ,04,05,06-1 MNT	—		R		
	U000885014xx	└ MICRO-SWITCH-(MS06-1) ASSY	5	1			
R-2	U001207574xx	WASTE TONER SENSOR,TS02 MNT	—		R		
	U000439953xx	└ TS02 ASSY	2	1			

P: Quantity per package, Q: Used quantity, R: Recommended part, C: Consumable, S: Selectable, O: Optional



5. CUTTER-UNIT



Recommended parts list (CUTTER-UNIT)

No.	Part Number	Part Name	P	Q	R/C	S/O	Note
R-1	U001209093xx	CUTTER UNIT AUTO MNT	—		C		
	U001189585xx	├ CUTTER-UNIT (AUTO)	1	1			
	U001203142xx	└ LABEL-CUTTER-POSITION	1	1			

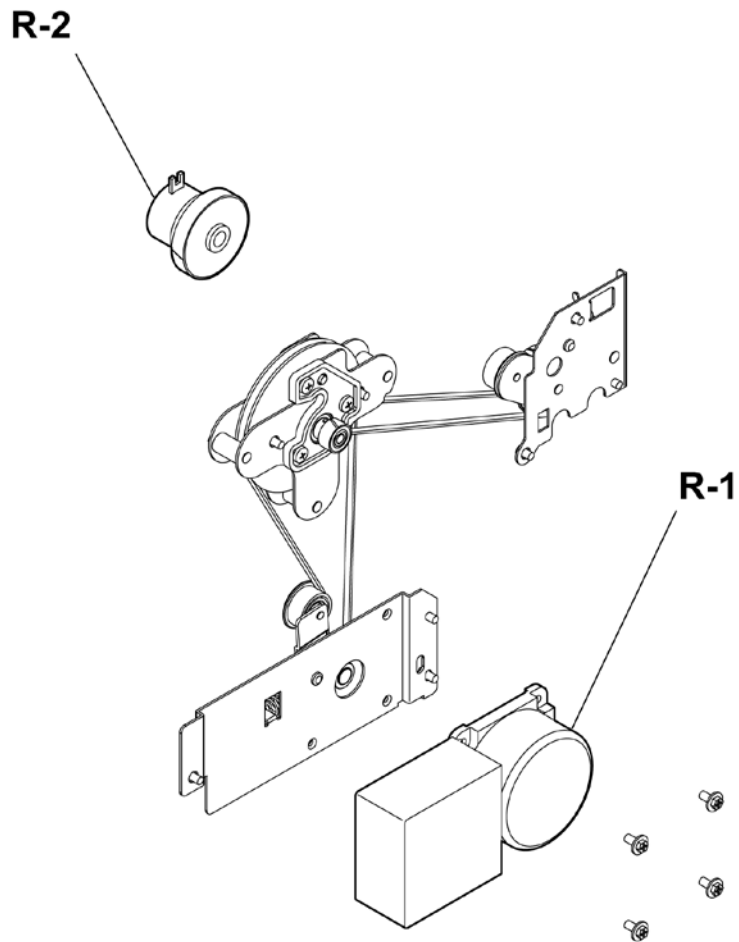
P: Quantity per package, Q: Used quantity, R: Recommended part, C: Consumable, S: Selectable, O: Optional

## Recommended parts list (DEVELOPER UNIT)

No.	Part Number	Part Name	P	Q	R/C	S/O	Note
R-1	U001207383xx	MOTOR GM MNT	—		R		
	U000882358xx	└ MOTOR(GM)	1	1			
R-2	U001207552xx	TONER SENSOR,TS01 MNT	—		R		
	U000439942xx	└ TS01 ASSY	2	1			
R-3	U001208722xx	DEVELOPER UNIT MNT	—		R		
	U001194963xx	└ DEVELOPER UNIT	(1)	(1)			
R-4	U001208744xx	MAGNET ROLL MNT	—		R		
	U001080426xx	└ MAGNET ROLL	1	1			
R-5	U001086941xx	BLADE-S-DV MNT	—		R		
	U000882527xx	└ BLADE-S-DV-ASSY	(1)	(1)			
R-6	U001208788xx	SPACER DEV MNT	—		R		
	U000588341xx	└ SPACER(DEV)	5	1			
R-7	U001208801xx	SEAL MG L MNT	—		R		
	U000882573xx	└ SEAL(MG-L)	5	1			
R-8	U001208823xx	SEAL MG R MNT	—		R		
	U000882641xx	└ SEAL(MG-R)	5	1			
R-9	U001208845xx	BEARING AGITATOR MNT	—		R		
	U000446962xx	└ BEARING(AGITATOR)	50	1			
R-10	U001207438xx	MICRO SWITCH, 04, 05, 06-1 MNT	—		R		
	U000885014xx	└ MICRO-SWITCH-(MS06-1) ASSY	5	1			

P: Quantity per package, Q: Used quantity, R: Recommended part, C: Consumable, S: Selectable, O: Optional

## 7. DRIVE UNIT



Recommended parts list (DRIVE-UNIT)

No.	Part Number	Part Name	P	Q	R/C	S/O	Note
R-1	U001207361xx	MOTOR PM01 MNT	—		R		
	U000881458xx	└ MOTOR(PM01)	1	1			
R-2	U001207416xx	CLUTCH 4.4 MNT	—		R		
	U000918268xx	└ CLUTCH(REGIST/INSERTION)4.4	1	1			

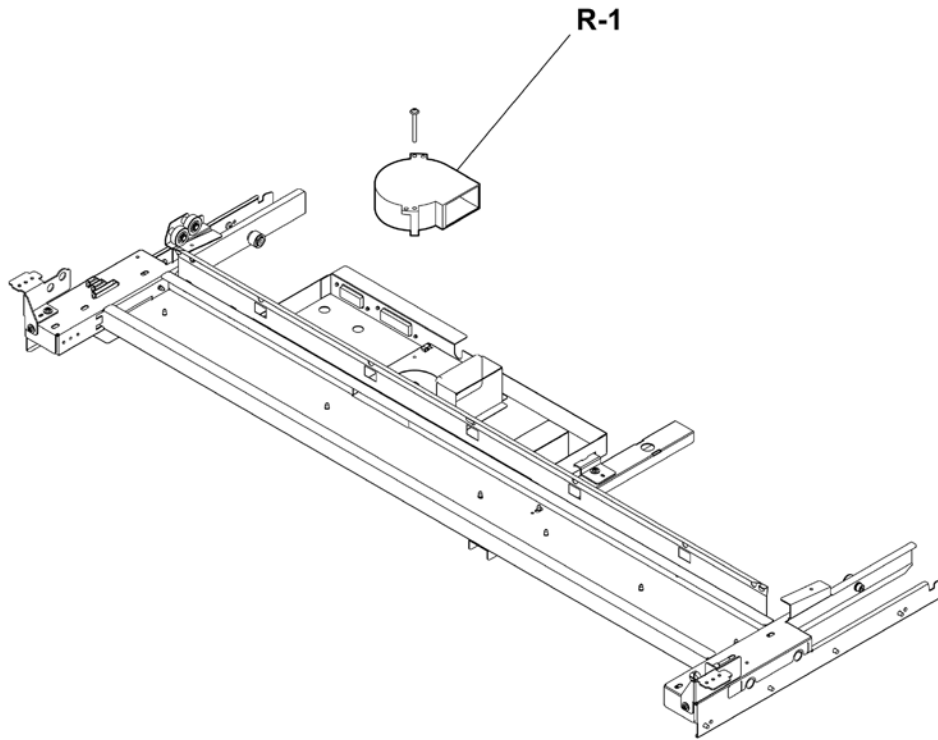
P: Quantity per package, Q: Used quantity, R: Recommended part, C: Consumable, S: Selectable, O: Optional

## Recommended parts list (ELECTRICAL UNIT)

No.	Part Number	Part Name	P	Q	R/C	S/O	Note
R-1	U001211804xx	PCB-ASSY-AAC1 MNT	—		R		
	U001171721xx	└ PCB-ASSY-AAC1	1	1			
R-2	U100001695xx	PCB-ASSY-ARC1 2060 MNT	—		R	S	MF Model
	U100001044xx	└ PCB-ARC1-UNIT 2060	(1)	(1)			
	U001304752xx	└ PCB-ASSY-ARC1ARC2-MNT leaflet	1	—			
R-3	U001211894xx	HDD MNT	—		R		
	U001247242xx	└ HDD	1	1			
	U001242652xx	└ HDD exchange leaflet	1	—			
R-4	U001209330xx	MAIN SWITCH 120V 200V MNT	—		R		
	U000596338xx	└ SMALL POWER SWITCH	3	2			
R-5	U001209352xx	AC INLET MNT	—		R	S	For 200 V AC only
	U000884913xx	└ AC INLET	20	1			
R-6	U001211826xx	PSU-T2 MNT	—		R		
	U001177874xx	└ PSU-T2	1	1			
R-7	U001209317xx	BL05 ASSY MNT	—		R		
	U001187100xx	└ T2-FAN-BL05	1	3			
R-8	U001210770xx	BLOWER FAN ASSY MNT	—		R		
	U000966431xx	└ BLOWER FAN	1	1			
R-9	U001211905xx	PCB-ASSY-ASC1 MNT	—		R		LP-1040-MF
	U001171743xx	└ PCB-ASSY-ASC1	1	1			
	U001305832xx	└ PCB-ASSY-ASC1-MNT leaflet 1308	1	—			
R-10	U001253788xx	HV(4CH)-PSU-T2 A1 MNT	—		R		
	U001212636xx	└ HV(4CH)-PSU-T2	1	1			
R-11	U100001696xx	PCB-ASSY-ARC2 2060 MNT	—		R	S	PR Model
	U100001045xx	└ PCB-ARC2-UNIT 2060	(1)	(1)			
	U001304752xx	└ PCB-ASSY-ARC1ARC2-MNT leaflet	1	—			
R-12	U001295987xx	T2ARC-EEPROM MNT	—		R		
	U001291634xx	└ IC(EEPROM)	1	1			

P: Quantity per package, Q: Used quantity, R: Recommended part, C: Consumable, S: Selectable, O: Optional

## 9. FUSER BASE UNIT



Recommended parts list (FUSER BASE UNIT)

No.	Part Number	Part Name	P	Q	R/C	S/O	Note
R-1	U001207618xx	BLOWER FAN,BL01,02,06 MNT	—		R		
	U001211387xx	└ BL01 ASSY	1	1			

P: Quantity per package, Q: Used quantity, R: Recommended part, C: Consumable, S: Selectable, O: Optional

## Recommended parts list (FUSER UNIT)

No.	Part Number	Part Name	P	Q	R/C	S/O	Note
R-1	U001207438xx	MICRO SWITCH, 04,05,06-1 MNT	—		R		
	U000885014xx	└ MICRO-SWITCH-(MS06-1) ASSY	5	1			
R-2	U001207473xx	MICRO SWITCH, 06-2 MNT	—		R		
	U000878602xx	└ MICRO-SWITCH-(MS06-2) ASSY	5	1			
R-3	U001207618xx	BLOWER FAN,BL01,02,06 MNT	—		R		
	U001211387xx	└ BL01 ASSY	1	2			
R-4	U001207653xx	FUSE ASSY MNT	—		R		
	U001192331xx	└ FUSE-ASSY	10	1			
R-5	U001207675xx	THERMISTOR,TH01,02,04,05 MNT	—		R		
	U001183590xx	└ FS-SENSOR	5	4			
R-6	U001228634xx	HALOGEN LAMP MAIN 100V-600W MNT	—		R	S	For Japan
	U001192904xx	└ HALOGEN LAMP-MAIN(100V-600W)	1	1			
R-6	U001228678xx	HALOGEN LAMP MAIN 120V-600W MNT	—		R	S	For North America
	U001192926xx	└ HALOGEN LAMP-MAIN(120V-600W)	1	1			
R-6	U001228713xx	HALOGEN LAMP MAIN 230V-600W MNT	—		R	S	For Europe, South America, and China
	U001192948xx	└ HALOGEN LAMP-MAIN(230V-600W)	1	1			
R-7	U001228656xx	HALOGEN LAMP SUB 100V-600W MNT	—		R	S	For Japan
	U001192915xx	└ HALOGEN LAMP-SUB(100V-600W)	1	1			
R-7	U001228691xx	HALOGEN LAMP SUB 120V-600W MNT	—		R	S	For North America
	U001192937xx	└ HALOGEN LAMP-SUB(120V-600W)	1	1			
R-7	U001228735xx	HALOGEN LAMP SUB 230V-600W MNT	—		R	S	For Europe, South America, and China
	U001192950xx	└ HALOGEN LAMP-SUB(230V-600W)	1	1			
R-8	U001228713xx	HALOGEN LAMP MAIN 230V-600W MNT	—	1	R		For Europe, South America, and China
	U001192948xx	└ HALOGEN LAMP-MAIN(230V-600W)	1				
R-8	U001207877xx	TORQUE LIMITER MNT	—		R		
	U001227150xx	└ TORQUE LIMITER (PBT)	2	1			
R-9	U001228770xx	FUSER UNIT,WITHOUT HEATER,MNT	—		R	S	
	U001218194xx	└ FUSER UNIT LOW	(1)	(1)			
R-10	U001208924xx	ROLLER HEAT MNT	—		R	S	
	U001192228xx	└ ROLLER(HEAT)	1	1			
	U001199046xx	└ SELF-TAPPING PAN HEAD B-TITE SCREW	3	3			No.19
R-11	U001208946xx	ROLLER BACK UP ST MNT	—		R		
	U001198484xx	└ ROLLER(BACK UP-ST)	1	1			
	U001225822xx	└ ROLLER(BACKUP-K)	1	1			
R-12	U001208981xx	SPUR FUSER MNT	—		R		
	U001038262xx	└ S-WHEEL(FUSER)	10	7			
R-13	U001275771xx	SL01 LOW MNT	—		R		
	U001206123xx	└ SL01KIT(LOW)	3	1			
R-14	U001209216xx	PEELER FU OUT MNT	—		R		
	U001206101xx	└ PEELER(FU-OUT)	(2)	(12)			
R-15	U001209756xx	MOTOR HM MNT	—		R		
	U001191857xx	└ MOTOR (HM)	5	1			

## FUSER UNIT

No.	Part Number	Part Name	P	Q	R/C	S/O	Note
R-16	U001066757xx U001066768xx	Separator (BUR) MNT └ SEPARATOR(BUR)ASSY	— (1)	(10)	R		
R-17	U001220477xx U001219961xx	SHEET CARBON BR MNT └ SHEET-CARBON-BR-ASSY	— (1)	(1)	R		
R-18	U001207495xx U000439852xx	PHOTOSENSOR,04,05,07 MNT └ PHOTORENSOR 1	— 10	1	R		
R-19	U001276290xx U001191993xx	EARTH-CONTACT MNT EARTH-CONTACT	— 20	1			
R-20	U001345318xx U000878771xx U001191971xx U000878523xx U001192105xx U000878501xx	FUS GEAR MNT ┆ GEAR(Z19) ┆ GEAR(Z19-HASU) ┆ GEAR(Z25-20) ┆ GEAR(Z30-HIRA) └ GEAR(END)	— 2 1 1 1 1	1 2 1 1 1 1	R		

P: Quantity per package, Q: Used quantity, R: Recommended part, C: Consumable, S: Selectable, O: Optional

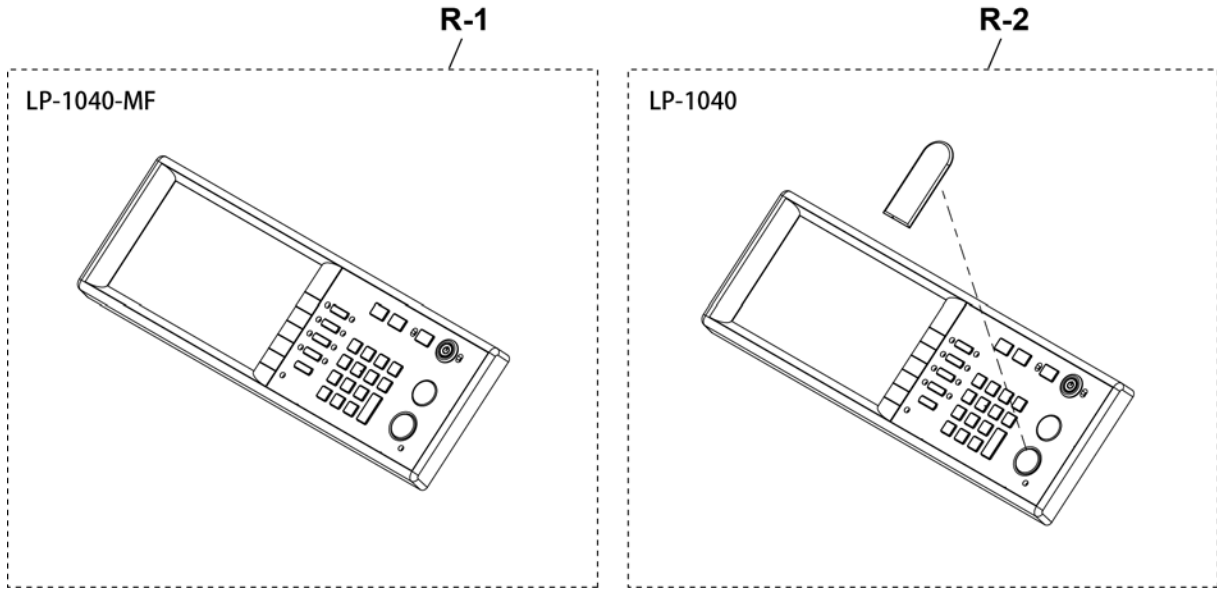
Recommended parts list (MAIN FRAME UNIT)

No.	Part Number	Part Name	P	Q	R/C	S/O	Note
R-1	U001207495xx	PHOTOSENSOR,04,05,07 MNT	—		R		
	U000439852xx	└ PHOTOSENSOR 1	10	1			
R-2	U001209892xx	PHOTO INTERRUPTER,PS16 MNT	—		R		
	U001193466xx	└ PS16	2	1			
R-3	U001207596xx	INTERLOCK SWITCH,INT3, MS18 MNT	—		R	S	Two different switches are used depending on the manufacturing date. For more details on these switches, see the <b>Maintenance Manual</b> .
	U001200802xx	└ INTAROKKUSUITCHI FA3L-CA22	5	1			
R-3	2051429P2000	FA3L-BA22	1	1	R	S	
R-4	U001207710xx	TEMPERATURE HUMIDITY SENSOR MNT	—		R		
	U001196190xx	└ HYGROTHERMAL SENSOR	1	1			
R-5	U001207732xx	HEATER ROLL PAPER MNT	—		R		
	U001190968xx	└ ROLL PAPER HEATER UNIT	(1)	(1)			
R-6	U001209238xx	TORQUE LIMITTER REGIST MNT	—		R		
	U001214616xx	└ TORQUE LIMITTER (REGIST) 0.6	1	1			
R-7	U001209295xx	BL03 ASSY MNT	—		R		
	U001187098xx	└ T2-FAN-BL03	1	3			
R-8	U001209778xx	MOTOR TM ASSY MNT	—		R		
	U000882707xx	└ MOTOR (TM) ASSY	(1)	(1)			

P: Quantity per package, Q: Used quantity, R: Recommended part, C: Consumable, S: Selectable, O: Optional



## 12. PANEL UNIT



Recommended parts list (PANEL UNIT)

No.	Part Number	Part Name	P	Q	R/C	S/O	Note
R-1	U100001618xx	PANEL ASSY T2E MNT	—		R	S	LP-1040-MF
	U100000843xx	└ PANEL-ASSY-T2E	(1)	(1)			
R-2	U100001619xx	PANEL ASSY T2E MNT	—		R	S	LP-1040
	U100000843xx	└ PANEL-ASSY-T2E	(1)	(1)			
	U100000855xx	└ KEY-COVER-ASSY-T2E	(1)	(1)			

**P:** Quantity per package, **Q:** Used quantity, **R:** Recommended part, **C:** Consumable, **S:** Selectable, **O:** Optional

Recommended parts list (PROCESS CARTRIDGE UNIT)

No.	Part Number	Part Name	P	Q	R/C	S/O	Note
R-1	U001209003xx	DRUM FINGER MNT	—		R		For process cartridge 60 unit
	U001221715xx	└ PLATE(CLEANER-DRUM)	3	9			
	U001225743xx	└ SHEET(CLEANER DRUM)-t0.25	3	9			
R-2	U001237948xx	BLADE-CLEANER-SS002 MNT	1	1	R		
R-3	U001209172xx	ERASER ASSY MNT	—		R		
	U001192702xx	└ ERASER ASSY	1	1			
R-4	U001209374xx	FILTER T2 MNT	—		R		
	U001196335xx	└ FILTER-T2	2	1			
R-5	U001209396xx	FILTER FUS MNT	—		R		
	U001192871xx	└ FILTER (FUS)	3	2			
R-6	U001192353xx	PROCESS CARTRIDGE UNIT	(1)	(1)	C		
R-7	U001209431xx	SCOROTRON CHAGER UNIT	—		R		
	U001193804xx	└ CHARGE-SCOROTRON-ASSY	(1)	(1)			
R-8	U000925514xx	WIRE(CHARGER)MNT	1	2	R		
R-9	U001282937xx	DRUM FINGER W MNT			R		For process cartridge unit
	U001282926xx	└ PLATE(CLEANER-DRUM)-S	3	(9)			
	U001282915xx	└ SHEET(CLEANER DRUM)-W	3	(9)			
R-10	U001282948xx	PROCESS CARTRIDGE 60 UNIT	(1)	(1)	C		

P: Quantity per package, Q: Used quantity, R: Recommended part, C: Consumable, S: Selectable, O: Optional

**Note:** R-1 is for LP-872.  
R-9 is for LP-852.

Recommended parts list (ROLL FEED UNIT)

No.	Part Number	Part Name	P	Q	R/C	S/O	Note
R-1	U001210825xx	PHOTO INTERRUPTER MNT	—		R		
	U000446141xx	└ PHOTOINTERRUPTER	20	3			
R-2	U001209058xx	GEAR LIMITTER MNT	—		R		
	U000441955xx	└ GEAR(LIMITER)	1	1			
R-3	U001228792xx	ROLLER REWIND LOW MNT	—		R		
	U001218576xx	└ ROLLER (REWIND) LOW	1	1			
R-4	U001209115xx	GEAR ONEWAY MNT	—		R		
	U000441944xx	└ GEAR(ONEWAY)	5	1			
R-5	U001209510xx	MOTOR FM MNT	—		R		
	U001187908xx	└ MOTOR(FM)	1	1			
R-6	U001217171xx	PTM ASSY MNT	—		R		
	U001194941xx	└ PTM-ASSY	1	1			

**P:** Quantity per package, **Q:** Used quantity, **R:** Recommended part, **C:** Consumable, **S:** Selectable, **O:** Optional

**Note:** The table above lists the part information for one roll feed unit.

## Recommended parts list (SUB FRAME UNIT)

No.	Part Number	Part Name	P	Q	R/C	S/O	Note
R-1	U001209150xx	LED HEAD MNT	—		R		
	U001194197xx	└ LED-HEAD-SLA20B-ASSY	(1)	(1)			
R-2	U001211927xx	PCB-ASSY-ACN1 MNT	—		R		
	U001186435xx	└ PCB-ASSY-ACN1	1	1			

P: Quantity per package, Q: Used quantity, R: Recommended part, C: Consumable, S: Selectable, O: Optional

Recommended parts list (TRANSFER ROLLER UNIT)

No.	Part Number	Part Name	P	Q	R/C	S/O	Note
R-1	U001208586xx	ROLLER TRA 3565 MNT	—		R		
	U001189247xx	└ ROLLER (TRA-3565)	1	1			
R-2	U001208608xx	SHEET TRA MNT	—		R		
	U001189258xx	└ SHEET (TRA)	50	2			
R-3	U001208621xx	SPACER TRA MNT	—		R		
	U001230401xx	└ SPACER (TRA-3555)	5	2			
	U001230412xx	└ SPRING (TRA-2000)	5	2			
R-4	U001208643xx	GEAR TRA ONEWAY MNT	—		R		
	U001221265xx	└ GEAR (TRA-ONEWAY) CCW	10	1			
R-5	U001208687xx	GUIDE DC R MNT	—		R		
	U001268335xx	└ GUIDE(DC-L)-T2	20	3			
R-6	U001208700xx	GUIDE DC L MNT	—		R		
	U001268346xx	└ GUIDE(DC-L)-T2	20	3			
R-7	U001209633xx	SPACER TRANSFER GUIDE MNT	—		R		
	U000883304xx	└ SPACER (TENSYAMAE 01 )	10	2			
	U001230412xx	└ SPRING (TRA-2000)	5	2			
R-8	U001208665xx	DETACH NEEDLE	—		R		
	U001206090xx	└ PLATE(NEEDLE)	2	3			
R-9	U001209137xx	ELECTRODE NEEDLE MNT	—		R		
	U001210601xx	└ ELECTRODE-NEEDLE-ASSY	(1)	(1)			
R-10	U001240380xx	TRANSFER ROLLER UNIT MNT	—		R		
	U001189181xx	└ TRANSFER ROLLER UNIT	(1)	(1)			
	U001207181xx	└ STAY(PACK-TRA)R	1				Part for packing
	U001207192xx	└ STAY(PACK-TRA)L	1				Part for packing

P: Quantity per package, Q: Used quantity, R: Recommended part, C: Consumable, S: Selectable, O: Optional

Recommended parts list (TRANSPORT UNIT)

<b>Number</b>	<b>Part Number</b>	<b>Part Name</b>	<b>P</b>	<b>Q</b>	<b>R/C</b>	<b>S/O</b>	<b>Note</b>
R-1	U001207517xx	PHOTOSENSOR,06 MNT	–		R		
	U000439863xx	└ PHOTOSENSOR 2	10	1			
R-2	U001207618xx	BLOWER FAN,BL01,02,06 MNT	–		R		
	U001211387xx	└ BL01 ASSY	1	1			
R-3	U001208968xx	BELT TRANS MNT	–		R		
	U000879243xx	└ BELT(TRANS)	30	4			
R-4	U001209532xx	TRANSPORT UNIT MNT	–		R		
	U001200598xx	└ TRANSPORT UNIT	(1)	(1)			

**P:** Quantity per package, **Q:** Used quantity, **R:** Recommended part, **C:** Consumable, **S:** Selectable, **O:** Optional

Recommended parts list (SCANNER UNIT)

No.	Part Number	Part Name	P	Q	R/C	S/O	Note
R-1	U001209453xx	REFLECTIVE PHOTOSENSOR MNT	—		R		
	U001195626xx	└ PHOTOINTERRUPTER	3	9			
R-2	U001210825xx	PHOTOINTERRUPTER MNT	—		R		
	U000446141xx	└ PHOTOINTERRUPTER	20	1			
R-3	U001209475xx	MOTOR SC MNT	—		R		
	U001189787xx	└ MOTOR-SC	1	1			
R-4	U001209497xx	CIS UNIT MNT	—		R		
	U001190046xx	└ CIS-UNIT	(1)	(1)			
	U001223054xx	└ STOPPER-GLASS-CISUNIT	2	2			
	U000439143xx	└ HEXAGON PLUS SOCKET HEAD TP MACHINE SCREW	2	2			
	U000986062xx	└ ACETATE TAPE	2	2			
	U001225765xx	└ INSTRUCTION TO REMOVE GLASS FIXTURE FROM CIS UNIT MNT	1	1			
R-6	U001316452xx	ROLLER SC G ASSY MNT	—		R		
	U001316204xx	└ ROLLER-SC-G-ASSY	(1)	(2)			
R-7	U001209734xx	GLASS DOCUMENT MNT	—		R		
	U001190147xx	└ GLASS-DOCUMENT	5	1			
R-8	U001211938xx	PCB-ASSY-AIC1 MNT	—		R		
	U001171765xx	└ PCB-ASSY-AIC1	1	1			
R-9	U001316474xx	ROLLER PINCH KK MNT	—		R		
	U001316215xx	└ ROLLER-PINCH-KK	3	18			
R-10	U001253070xx	PLATE SHADING ASSY MNT	—		R		
	U001276233xx	└ PLATE-SHADING-ASSY-FRONT	(2)	(2)			
	U001276244xx	└ PLATE-SHADING-ASSY-REAR	(3)	(3)			

P: Quantity per package, Q: Used quantity, R: Recommended part, C: Consumable, S: Selectable, O: Optional