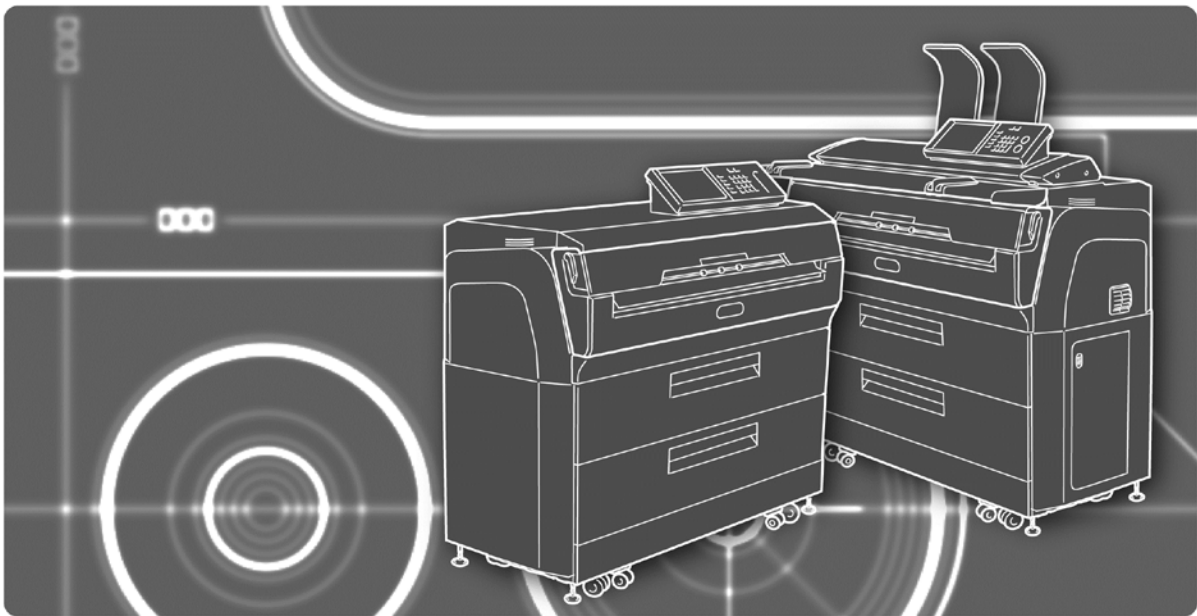


OKI

LP-1040/LP-1040-MF Wide Format Printer

Parts Catalog

U10000141700 September, 2018 Rev.3



OKI DATA CORPORATION

U10000141700

September, 2018 Rev.3

Copyright© 2016 Oki Data Corporation.

All rights reserved.

The contents of this manual may be changed without prior notice.

How to use this parts catalog

This parts catalog lists all the parts that we can provide replacement for individually (replaceable parts), as well as the recommended parts.

◆ Parts exploded view

Oki Data has specified the recommended parts for the printer, which are shown in the exploded view of the printer broken up into individual blocks and units.

- The replaceable parts are detailed in part lists. The numbers associated with each part on the parts developed views correspond to the numbers in the Number column of the lists. A number in parentheses in that column indicates that the corresponding part is not shown in the developed view.
- The recommended parts are detailed in recommended parts lists. The numbers after R- in the Number column of the recommended parts lists correspond to the recommended parts in the developed views, while the number of the replaceable parts, which compose the recommended parts, in the Note column correspond to the parts numbers listed in the Number column of the parts lists.
- The letters in the developed views indicate standard items, such as screws or retaining rings.
- The standard items are detailed in the Standard Items section at the end of this catalog.

◆ Symbols used in the lists

- P** column: Quantity contained in one package.
 Parentheses indicate that the part can be break up further.
- Q** column: Quantity used for one unit.
 Parentheses indicate that the part can be break up further.
- R/C** column: **R:** Recommended part
 We recommend service representatives to keep these parts in inventory.
 C: Consumables
 Parts that should be replaced periodically to maintain Printer performance.
- S/O** column: **S:** Selectable part
 Parts that differ depending on the usage region.
 The same part number is indicated in the part list.
 O: Optional part
 Supplied if required by the user.

Note: R/C column and S/O column are used only when applicable.

The LP-1040 printer model may not be sold in some countries or regions.

Table of Contents

JIGS LIST	5
PARTS	7
1. PRINTER CONFIGURATION VIEW	8
2. PRINTER EXPLODED VIEW AND OPTIONS	9
2.1 LP-1040-MF (Multifunction model)	9
(1) PRINTER EXPLODED VIEW	9
(2) Options (LP-1040-MF).....	11
2.2 LP-1040 (Printer model)	12
(1) PRINTER EXPLODED VIEW	12
(2) Options (LP-1040).....	14
3. COVER-UNIT	15
4. WASTE TONER BOTTLE UNIT.....	17
5. CUTTER-UNIT.....	18
6. DEVELOPER UNIT	19
7. DRIVE UNIT	21
8. ELECTRICAL UNIT	22
9. FUSER BASE UNIT.....	24
10. FUSER UNIT	25
(1) FUSER UNIT AND PERIPHERAL UNITS.....	25
(2) ROLLER(BACK UP) ASSY, ROLLER(HEAT)-ASSY.....	26
(3) SIDE-FRAME AND PERIPHERAL PARTS	27
11. MAIN FRAME UNIT	30
12. PANEL UNIT	32
13. PROCESS CARTRIDGE UNIT/ PROCESS CARTRIDGE 60 UNIT	33
14. ROLL FEED UNIT.....	35
15. SUB FRAME UNIT	37
16. TRANSFER ROLLER UNIT	39
17. TRANSPORT UNIT	41
18. SCANNER UNIT.....	43

JIGS LIST

1



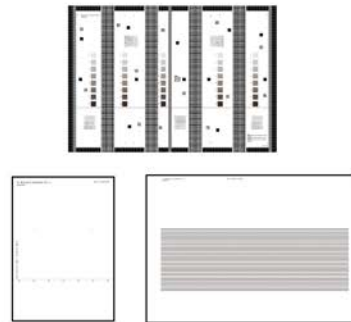
2



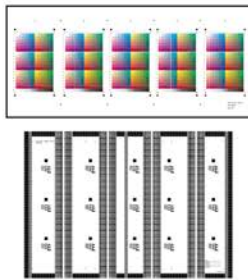
3



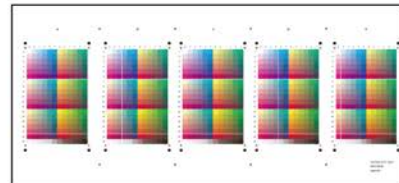
4



5



6



7



8

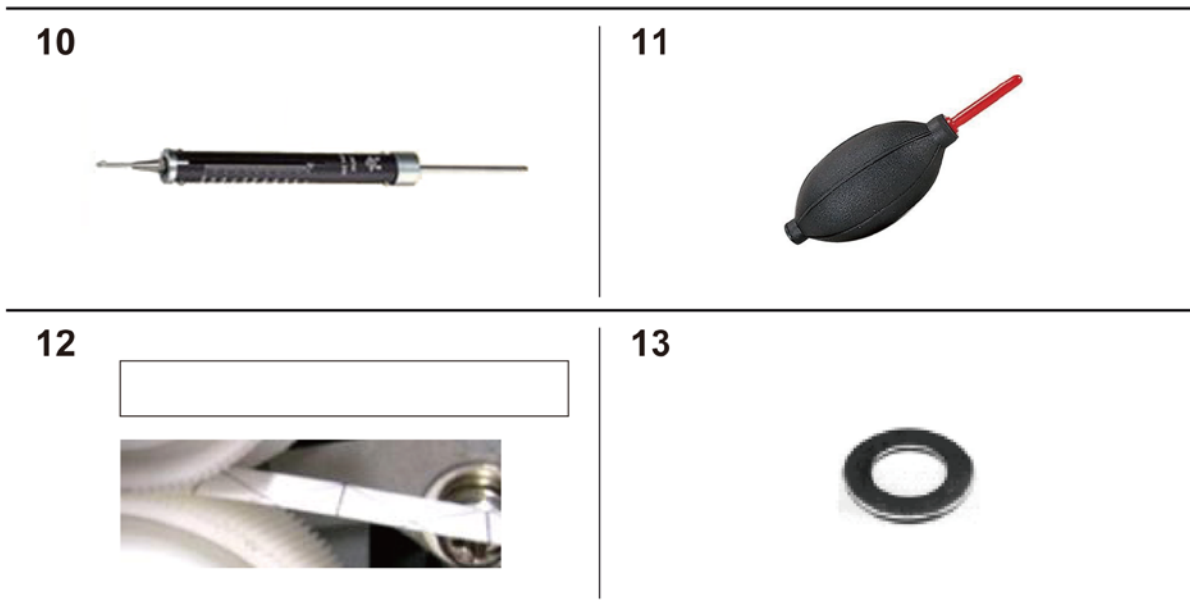


9



With hook-and-loop fastener

JIGS LIST



Jigs Recommended Parts List

No.	Part Number	Part Name	P	Q	R/C	S/O	Note
1	U001209273xx	COTTON CIEGAL MNT	1		R		For drum cleaning, containing 20 units (100 pcs/unit)
2	30790-0125	HR CLEANER	1		R		HR cleaner, pack of 10
3	U001034706xx	OPC CLEANER	1		R		Also usable with LP-1010, contains 1 liter (UN drum)
4	U001223640xx	ADJUSTER KIT (SCANNER)	1		R		Color and monochromatic original documents for scanner adjustment
5	U001221210xx	ADJUSTMENT KIT (COLOR SCANNER)	1		R		Color and monochromatic original documents for scanner adjustment
6	U001083903xx	Copy/Scan Color Chart1 Set	1		R		10 color original documents for scanner adjustment
7	U001209870xx	CONTACT GREASE MNT	1		R		GE-676 (1kg/can)
8	U001215450xx	HEATPROOF GREASE MNT	1		R		FG-65W (1kg/can)
9	U001242145xx	TOOLKIT MNT	1		R		Nut driver and open-end wrench set
10	U001280463xx	PUSH-PULL GAUGE	1		R		For tension adjustment of the process cartridge unit timing belt
11	U001307531xx	AIR BLOW TOOL	1		R		For cleaning connectors
12	U001282138xx	GEAR-SPACER MNT	100		R		For gear adjustment
13	U001328477xx	SPACER CUTTER MNT	50		R		For cutter adjustment

P: Quantity per package, Q: Used quantity, R: Recommended part, C: Consumable, S: Selectable, O: Optional

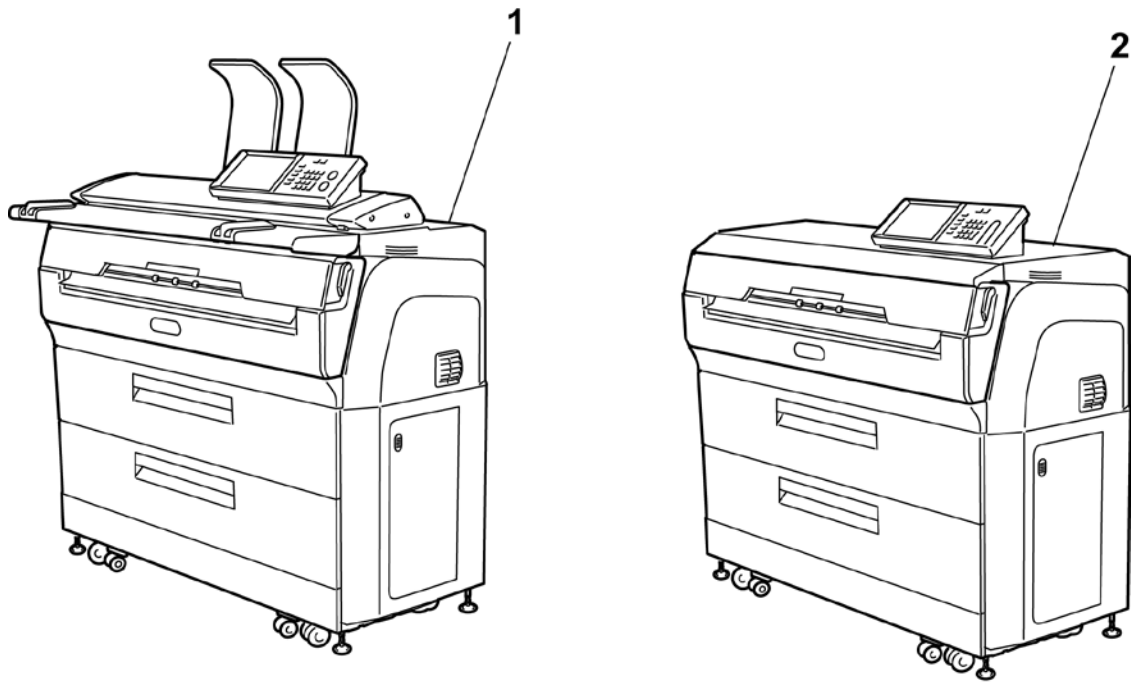
PARTS

In this section, mechanical parts of each unit are organized in items. Each item is composed of views and lists in the following order.

- Exploded view (developed view)
- Recommended parts list

However, some units do not have recommended parts. In this case, the corresponding list is omitted.

1. PRINTER CONFIGURATION VIEW



Parts list (PRINTER CONFIGURATION)

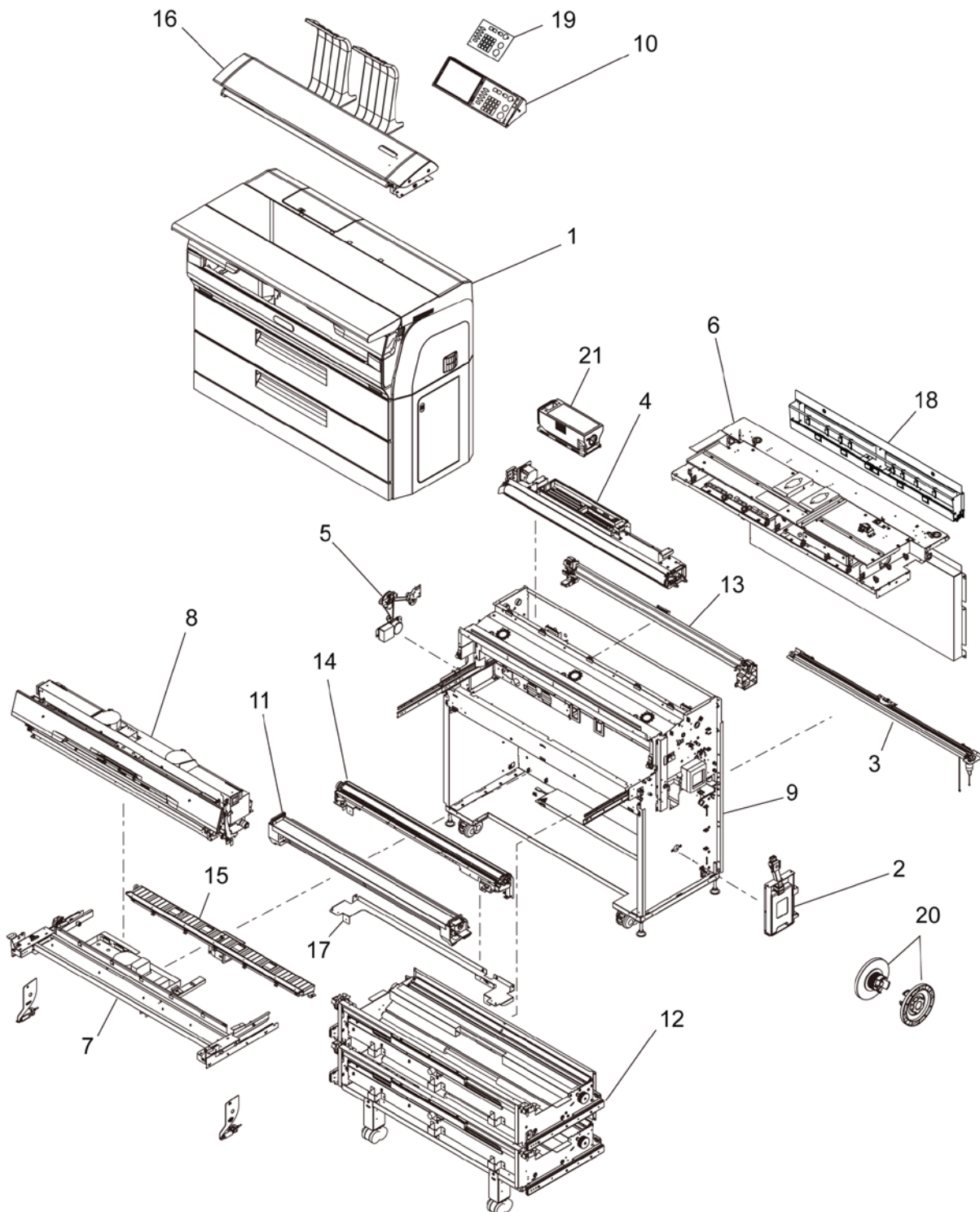
No.	Part Number	Part Name	P	Q	R/C	S/O	Note
1	—	LP-1040-MF MAIN UNIT		(1)			
2	—	LP-1040 MAIN UNIT		(1)			

P: Quantity per package, Q: Used quantity, R: Recommended part, C: Consumable, S: Selectable, O: Optional

2. PRINTER EXPLODED VIEW AND OPTIONS

2.1 LP-1040-MF (Multifunction model)

(1) PRINTER EXPLODED VIEW



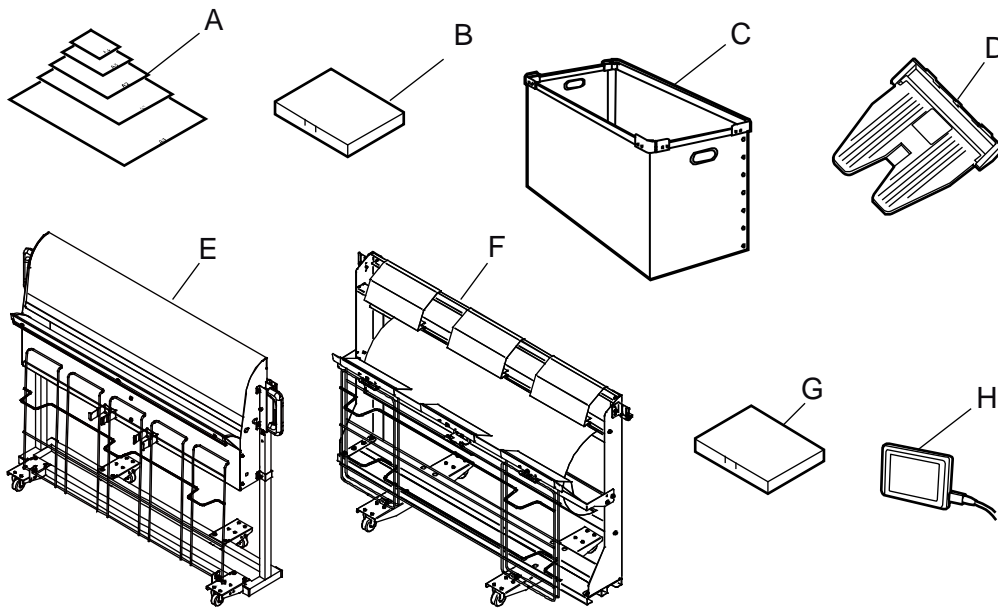
MAIN UNIT DEVELOPED VIEW

Parts list (MAIN UNIT DEVELOPED VIEW (MF))

No.	Part Number	Part Name	P	Q	R/C	S/O	Note
1	U100000901xx	COVER-UNIT(MF)-LOW-1040		(1)			
2	U001217744xx	WASTE TONER BOTTLE UNIT LOW		(1)	C		LP-850
3	U001217902xx	CUTTER UNIT LOW		(1)	C		
4	U001194963xx	DEVELOPER UNIT		(1)	R		
5	U001195356xx	DRIVE-UNIT		(1)			
6	U100000940xx	ELECTRICAL-UNIT-LOW(MF)-1040-100V		(1)		S	For North America
6	U100000941xx	ELECTRICAL-UNIT-LOW(MF)-1040-200V		(1)		S	For Europe and China
7	U001217801xx	FUSER BASE UNIT LOW		(1)			
8	U001222975xx	FUSER UNIT LOW 120V		(1)		S	For North America
8	U001222986xx	FUSER UNIT LOW 230V		(1)		S	For Europe and China
9	U100000899xx	MAIN FRAME UNIT LOW 1040		(1)			
10	U100000842xx	MF-PANEL-UNIT-T2E		(1)			
11	U001192353xx	PROCESS CARTRIDGE UNIT		(1)	C		LP-852
12	U100000955xx	ROLL FEED UNIT LOW 1040		(1)			
13	U001218453xx	SUB FRAME UNIT(LOW)		(1)			
14	U001189181xx	TRANSFER ROLLER-UNIT		(1)			
15	U001200598xx	TRANSPORT UNIT		(1)	R		
16	U100000939xx	SCANNER-UNIT-LOW-1040		(1)			
17	U001226520xx	HOLDER(TRA-UNIT)-LOW-ASSY		(1)			
18	U001217676xx	BUFFER UNIT LOW		(1)			
19	U100000858xx	PANEL-OVERLAY-MF-T2E-ENG		1		S	English
19	U100000859xx	PANEL-OVERLAY-MF-T2E-CHI		1		S	Chinese
20	U001239300xx	ROLL FLANGE LGW ASSY		(4*)			Two pieces with LP-871
21	30790-0034	Toner cartridge		(3)	C		Two pieces with LP-761
22	U001282948xx	PROCESS CARTRIDGE 60 UNIT		(1)	C		LP-872

P: Quantity per package, Q: Used quantity, R: Recommended part, C: Consumable, S: Selectable, O: Optional

(2) Options (LP-1040-MF)



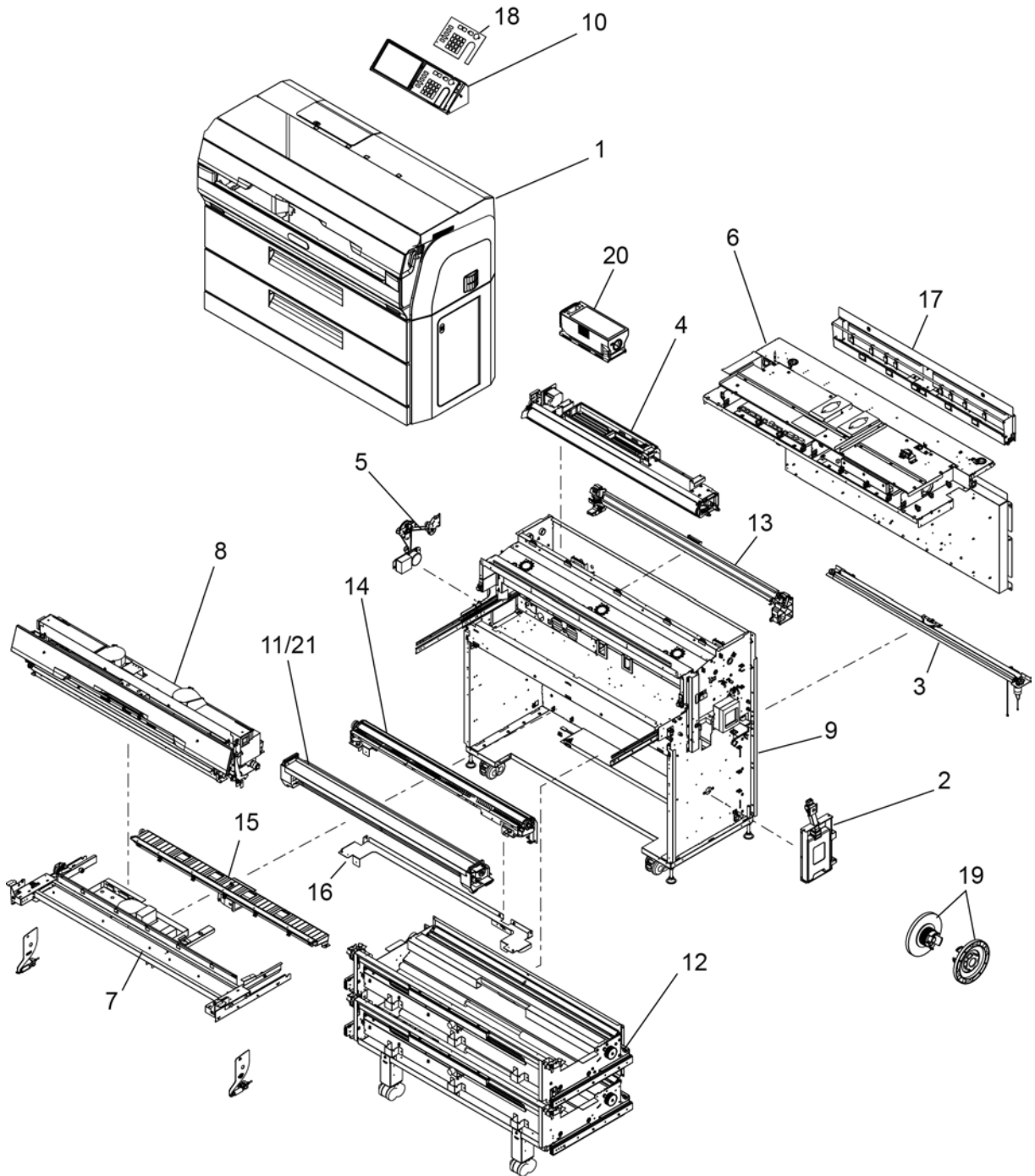
Parts list (Options (MF))

No.	Part Number	Part Name	P	Q	R/C	S/O	Note
A	U000991710xx	Carrier Sheet Set		(1)		O	LP-819
B	U001267288xx	Active Directory authentication		1		O	LP-868
C	U001223122xx	BUCKET(W)		(1)		O	LP-859
D	U001206180xx	OUTPUT TRAY		(1)		O	LP-853
E	U001228274xx	STACKER LOW		(1)		O	LP-862
F	U001233887xx	CATCH BASKET		(1)		O	LP-863
G	U001285200xx	TerioStation PDF Print		(1)		O	LP-874
H	U001232561xx	Smart card authentication kit		(1)		O	

P: Quantity per package, Q: Used quantity, R: Recommended part, C: Consumable, S: Selectable, O: Optional

2.2 LP-1040 (Printer model)

(1) PRINTER EXPLODED VIEW



MAIN UNIT DEVELOPED VIEW

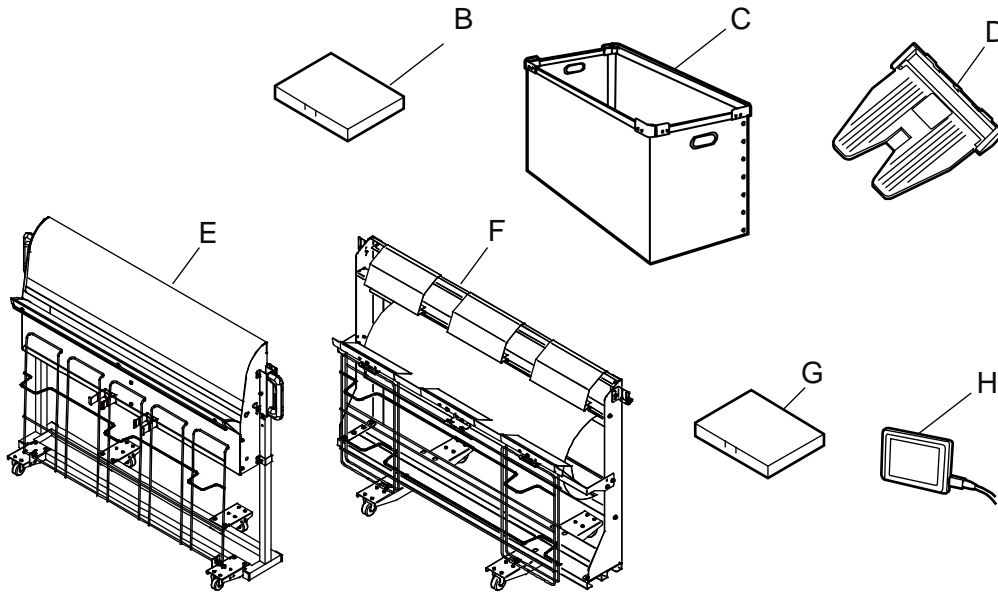
Parts list (MAIN UNIT DEVELOPED VIEW)

No.	Part Number	Part Name	P	Q	R/C	S/O	Note
1	U001222806xx	COVER-UNIT(PR)-LOW	(1)				
2	U001217744xx	WASTE TONER BOTTLE UNIT LOW	(1)		C		LP-850
3	U001217902xx	CUTTER UNIT LOW	(1)		C		
4	U001194963xx	DEVELOPER UNIT	(1)		R		
5	U001195356xx	DRIVE-UNIT	(1)				
6	U001218137xx	ELECTRICAL-UNIT-LOW(PR)-100V	(1)			S	For Japan and North America
6	U001221838xx	ELECTRICAL-UNIT-LOW(PR)-200V	(1)			S	For Europe and China
7	U001217801xx	FUSER BASE UNIT LOW	(1)				
8	U001218183xx	FUSER UNIT LOW 100V	(1)			S	For Japan
8	U001222975xx	FUSER UNIT LOW 120V	(1)			S	For North America
8	U001222986xx	FUSER UNIT LOW 230V	(1)			S	For Europe and China
9	U001217316xx	MAIN FRAME UNIT LOW	(1)				
10	U100000853xx	PL-PANEL-UNIT-T2E	(1)				
11	U001192353xx	PROCESS CARTRIDGE UNIT	(1)		C		LP-852
12	U001218453xx	ROLL FEED UNIT LOW	(1)			S	For upper and lower roll paper drawers
12	U001223245xx	ROLL FEED UNIT LOW(S)	(1)			S	For lower roll paper drawer only
13	U001226542xx	SUB FRAME UNIT(LOW)	(1)				
14	U001189181xx	TRANSFER ROLLER UNIT	(1)				
15	U001200598xx	TRANSPORT UNIT	(1)		R		
16	U001226520xx	HOLDER(TRA-UNIT)-LOW-ASSY	(1)				
17	U001217676xx	BUFFER UNIT LOW	(1)				
18		PANEL-OVERLAY-PL-T2E-ENG	1			S	English
18		PANEL-OVERLAY-PL-T2E-CHI	1			S	Chinese
19	U001239300xx	ROLL FLANGE LGW ASSY	(4)				Two pieces with LP-871
20	30790-0034	Toner cartridge		(3)	C		Two pieces with LP-761
21	U001282948xx	PROCESS CARTRIDGE 60 UNIT		(1)	C		LP-872

P: Quantity per package, Q: Used quantity, R: Recommended part, C: Consumable, S: Selectable, O: Optional

MAIN UNIT DEVELOPED VIEW

(2) Options (LP-1040)

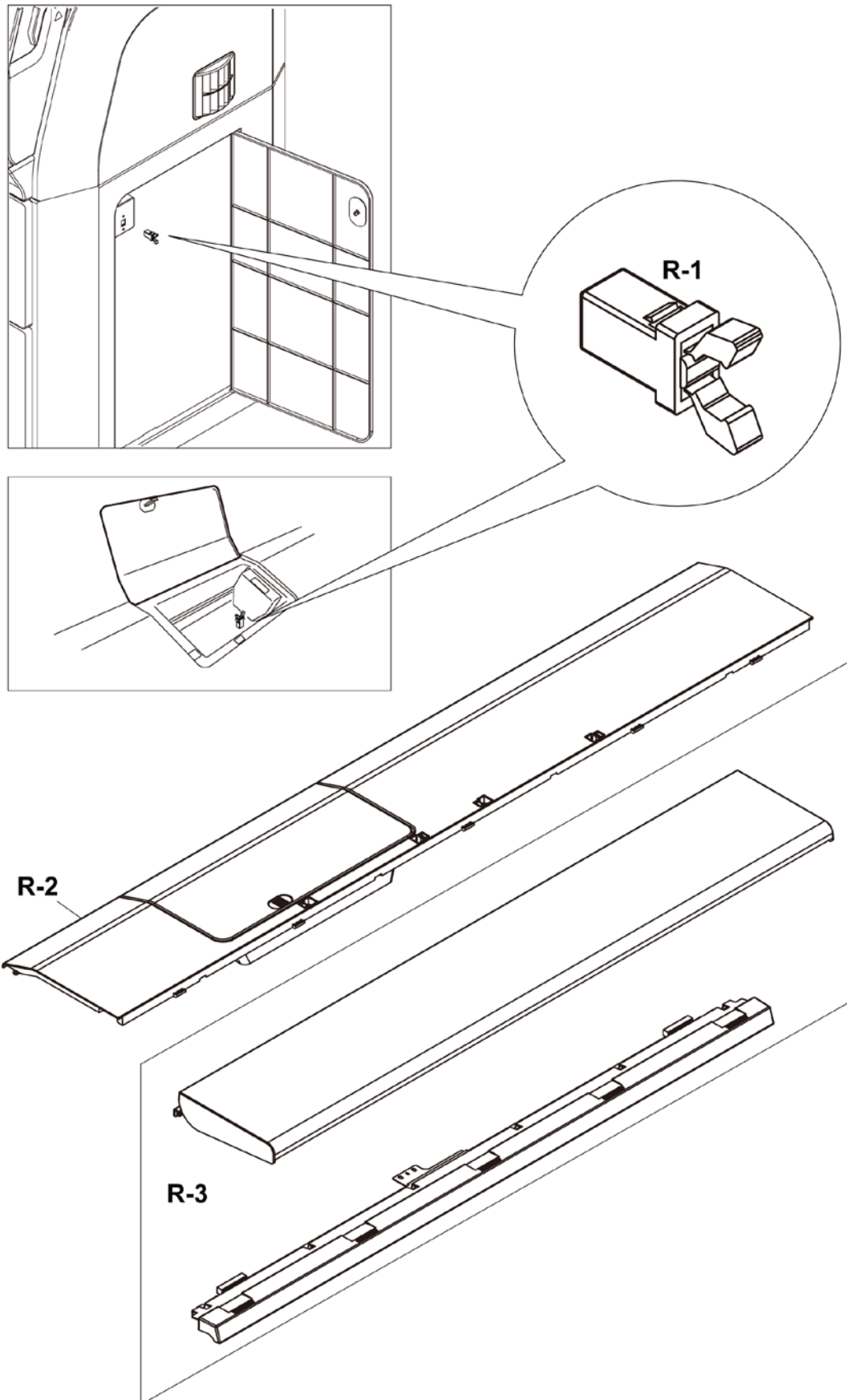


Parts list (Options)

No.	Part Number	Part Name	P	Q	R/C	S/O	Note
B	U001267288xx	Active Directory authentication		1		O	LP-868
C	U001223122xx	BUCKET(W)		(1)		O	LP-817
D	U001206180xx	OUTPUT TRAY		(1)		O	LP-859
E	U001228274xx	STACKER LOW		(1)		O	LP-862
F	U001233887xx	CATCH BASKET		(1)		O	LP-863
G	U001285200xx	TerioStation PDF Print		(1)		O	LP-874
H	U001232561xx	Smart card authentication kit		(1)		O	

P: Quantity per package, Q: Used quantity, R: Recommended part, C: Consumable, S: Selectable, O: Optional

3. COVER-UNIT



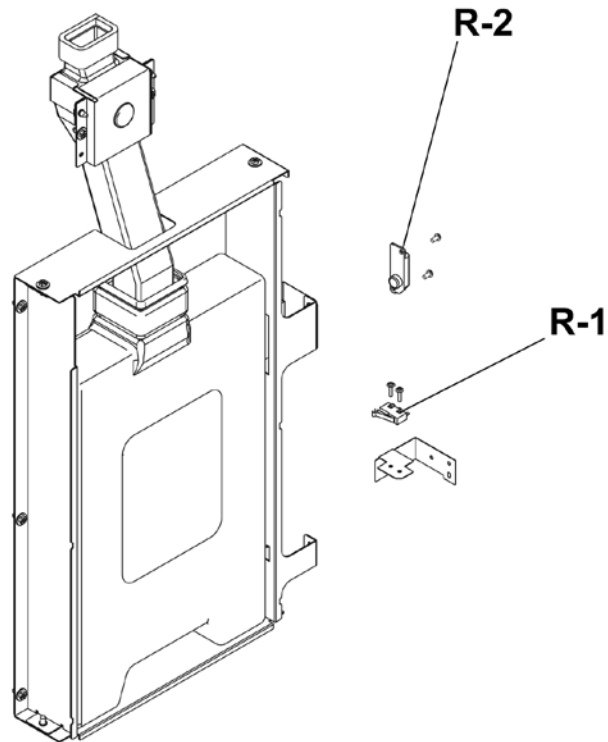
COVER-UNIT

Recommended parts list (COVER-UNIT)

No.	Part Number	Part Name	P	Q	R/C	S/O	Note
R-1	U001209611xx	PUSH LATCH MNT	—		R		
	U000441090xx	└ PUSH-LATCH	20	2			
R-2	U100001521xx	DCOVER-DEV-TOP(MF)-1040-MNT	—		R		
	U100000903xx	└ COVER-DEV-TOP-1040	1	1			
	U100000904xx	└ COVER-TONER-EXCHANGE-1040	1	1			
	U000441090xx	└ PUSH-LATCH	1	1			
	U001228162xx	└ SPRING-COVER-TONER	1	1			
	U001228162xx	└ SPRING-COVER-TONER	1	1			
R-3	U100001607xx	DOCUMENT-TABLE-LOW-1040-MNT	—		R		
	U100000933xx	└ DOCUMENT-TABLE-LOW-1040-ASSY	(1)	(1)			

P: Quantity per package, Q: Used quantity, R: Recommended part, C: Consumable, S: Selectable, O: Optional

4. WASTE TONER BOTTLE UNIT

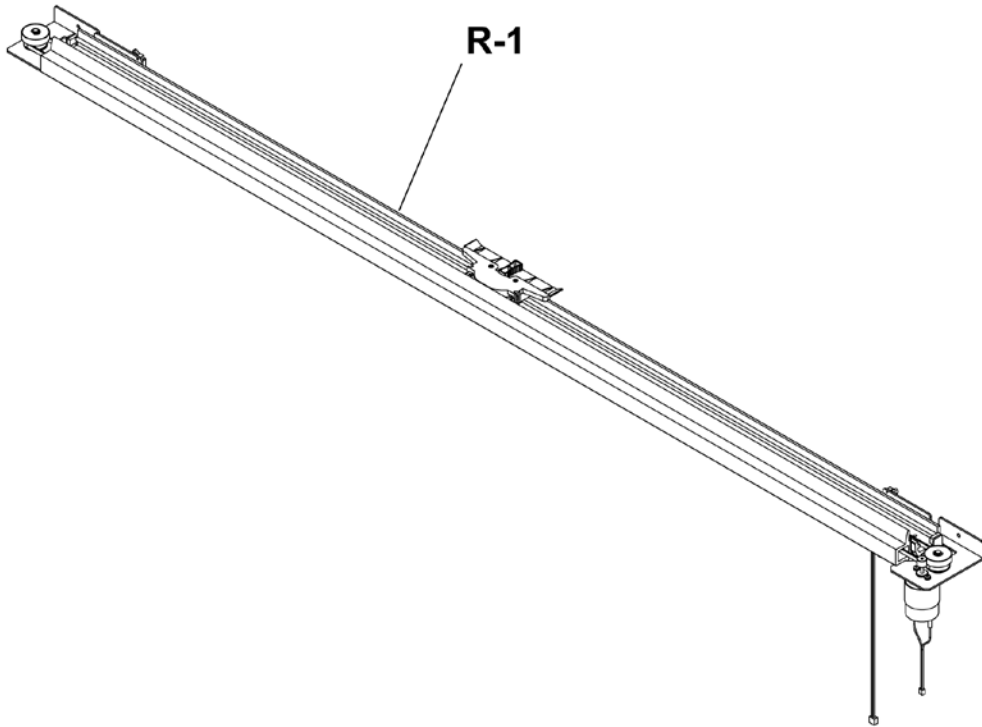


Recommended parts list (WASTE TONER BOTTLE UNIT)

No.	Part Number	Part Name	P	Q	R/C	S/O	Note
R-1	U001207438xx	MICRO SWITCH ,04,05,06-1 MNT	—		R		
	U000885014xx	└ MICRO-SWITCH-(MS06-1) ASSY	5	1			
R-2	U001207574xx	WASTE TONER SENSOR,TS02 MNT	—		R		
	U000439953xx	└ TS02 ASSY	2	1			

P: Quantity per package, Q: Used quantity, R: Recommended part, C: Consumable, S: Selectable, O: Optional

5. CUTTER-UNIT

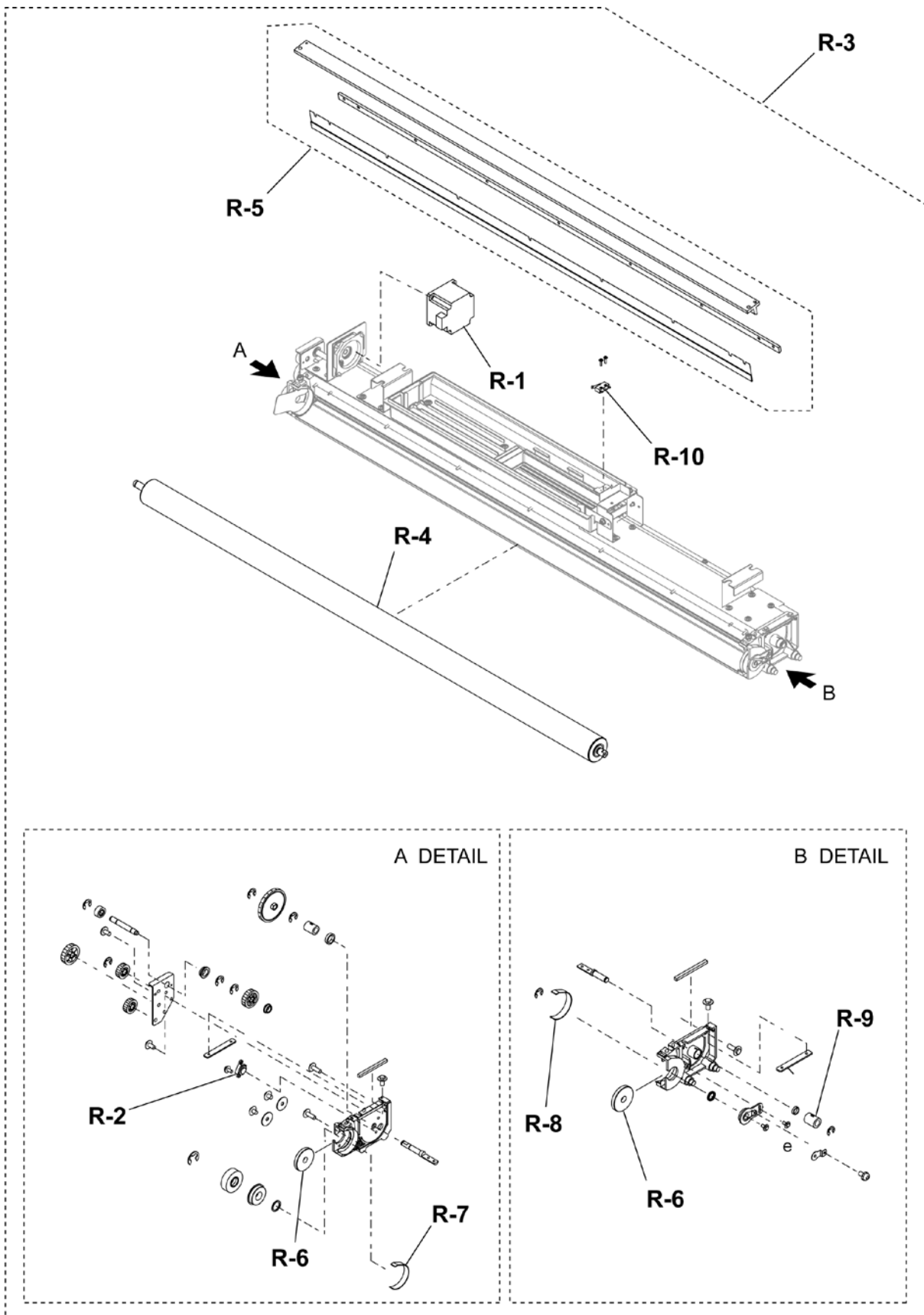


Recommended parts list (CUTTER-UNIT)

No.	Part Number	Part Name	P	Q	R/C	S/O	Note
R-1	U001209093xx	CUTTER UNIT AUTO MNT	—		C		
	U001189585xx	┆ CUTTER-UNIT (AUTO)	1	1			
	U001203142xx	┆ LABEL-CUTTER-POSITION	1	1			

P: Quantity per package, Q: Used quantity, R: Recommended part, C: Consumable, S: Selectable, O: Optional

6. DEVELOPER UNIT

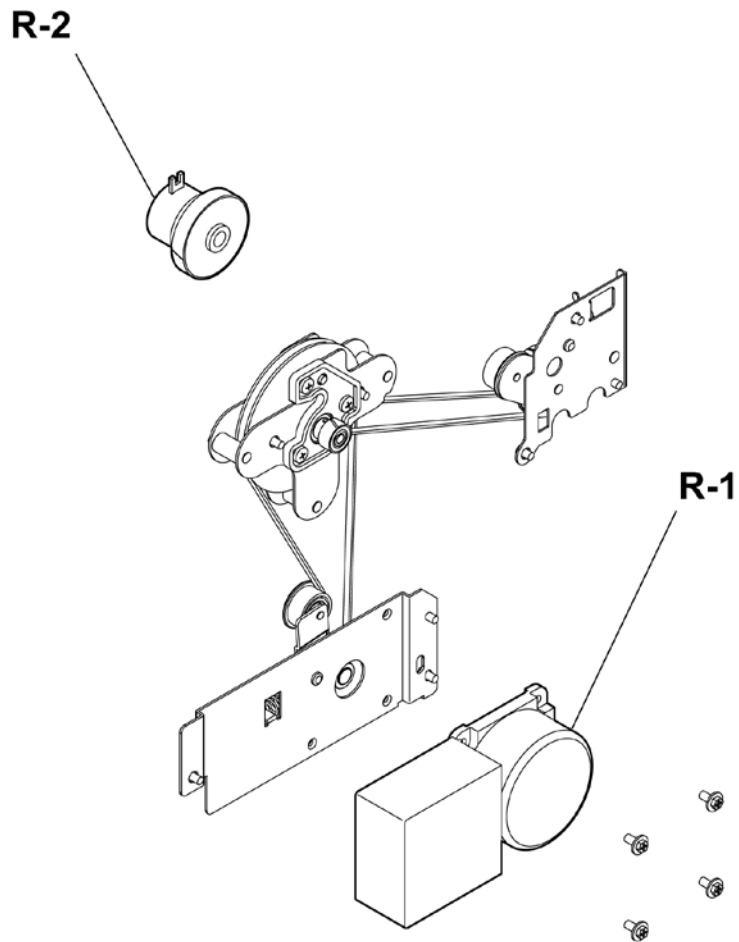


Recommended parts list (DEVELOPER UNIT)

No.	Part Number	Part Name	P	Q	R/C	S/O	Note
R-1	U001207383xx	MOTOR GM MNT	—		R		
	U000882358xx	└ MOTOR(GM)	1	1			
R-2	U001207552xx	TONER SENSOR,TS01 MNT	—		R		
	U000439942xx	└ TS01 ASSY	2	1			
R-3	U001208722xx	DEVELOPER UNIT MNT	—		R		
	U001194963xx	└ DEVELOPER UNIT	(1)	(1)			
R-4	U001208744xx	MAGNET ROLL MNT	—		R		
	U001080426xx	└ MAGNET ROLL	1	1			
R-5	U001086941xx	BLADE-S-DV MNT	—		R		
	U000882527xx	└ BLADE-S-DV-ASSY	(1)	(1)			
R-6	U001208788xx	SPACER DEV MNT	—		R		
	U000588341xx	└ SPACER(DEV)	5	1			
R-7	U001208801xx	SEAL MG L MNT	—		R		
	U000882573xx	└ SEAL(MG-L)	5	1			
R-8	U001208823xx	SEAL MG R MNT	—		R		
	U000882641xx	└ SEAL(MG-R)	5	1			
R-9	U001208845xx	BEARING AGITATOR MNT	—		R		
	U000446962xx	└ BEARING(AGITATOR)	50	1			
R-10	U001207438xx	MICRO SWITCH, 04, 05, 06-1 MNT	—		R		
	U000885014xx	└ MICRO-SWITCH-(MS06-1) ASSY	5	1			

P: Quantity per package, Q: Used quantity, R: Recommended part, C: Consumable, S: Selectable, O: Optional

7. DRIVE UNIT

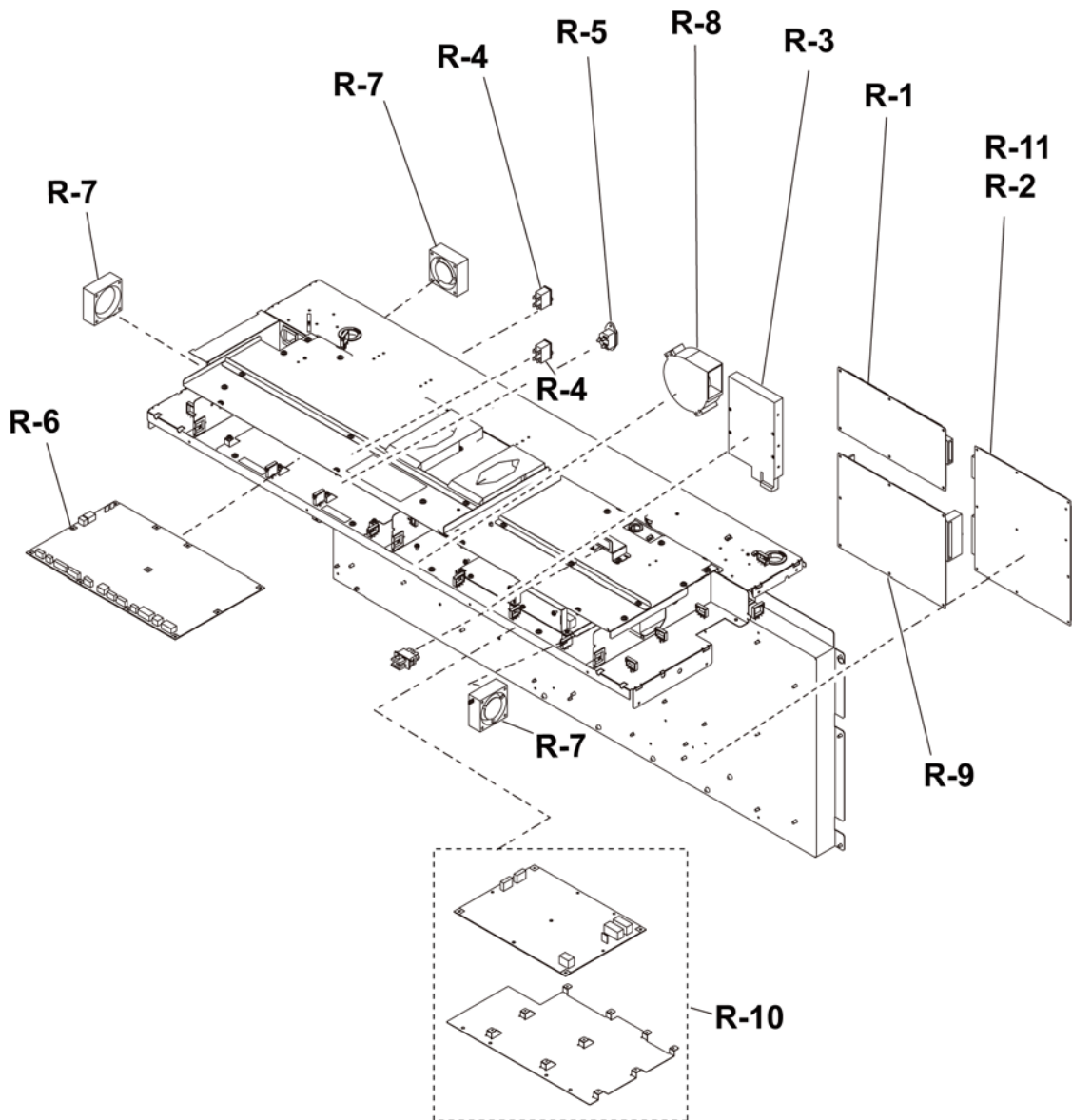


Recommended parts list (DRIVE-UNIT)

No.	Part Number	Part Name	P	Q	R/C	S/O	Note
R-1	U001207361xx	MOTOR PM01 MNT	—		R		
	U000881458xx	└ MOTOR(PM01)	1	1			
R-2	U001207416xx	CLUTCH 4.4 MNT	—		R		
	U000918268xx	└ CLUTCH(REGIST/INSERTION)4.4	1	1			

P: Quantity per package, Q: Used quantity, R: Recommended part, C: Consumable, S: Selectable, O: Optional

8. ELECTRICAL UNIT

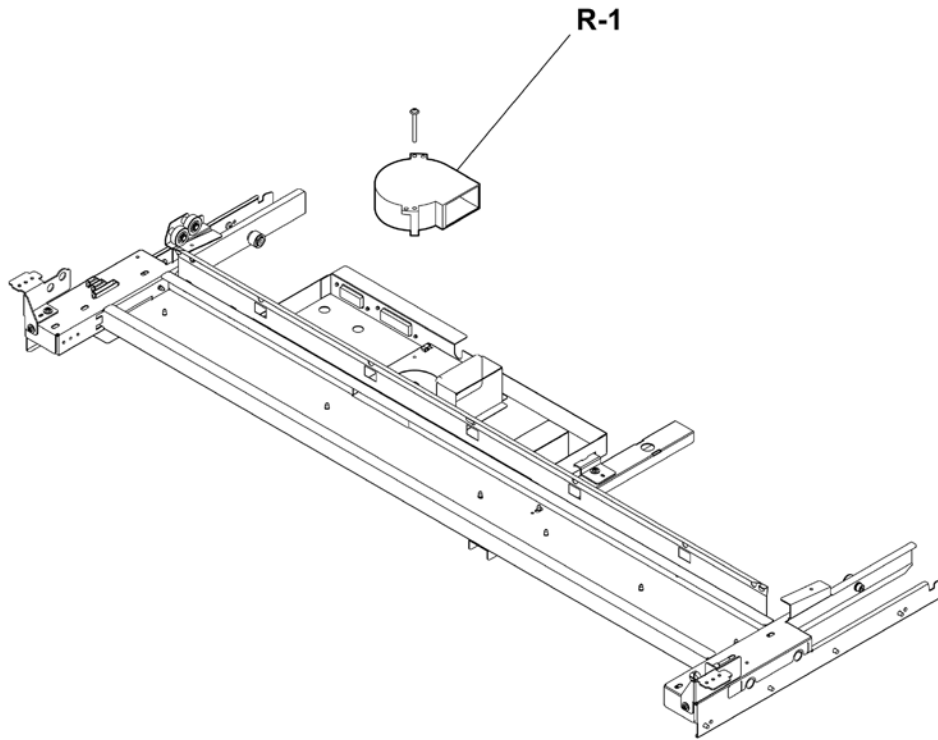


Recommended parts list (ELECTRICAL UNIT)

No.	Part Number	Part Name	P	Q	R/C	S/O	Note
R-1	U001211804xx	PCB-ASSY-AAC1 MNT	—		R		
	U001171721xx	└ PCB-ASSY-AAC1	1	1			
R-2	U100001695xx	PCB-ASSY-ARC1 2060 MNT	—		R	S	MF Model
	U100001044xx	└ PCB-ARC1-UNIT 2060	(1)	(1)			
	U001304752xx	└ PCB-ASSY-ARC1ARC2-MNT leaflet	1	—			
R-3	U001211894xx	HDD MNT	—		R		
	U001247242xx	└ HDD	1	1			
	U001242652xx	└ HDD exchange leaflet	1	—			
R-4	U001209330xx	MAIN SWITCH 120V 200V MNT	—		R		
	U000596338xx	└ SMALL POWER SWITCH	3	2			
R-5	U001209352xx	AC INLET MNT	—		R	S	For 200 V AC only
	U000884913xx	└ AC INLET	20	1			
R-6	U001211826xx	PSU-T2 MNT	—		R		
	U001177874xx	└ PSU-T2	1	1			
R-7	U001209317xx	BL05 ASSY MNT	—		R		
	U001187100xx	└ T2-FAN-BL05	1	3			
R-8	U001210770xx	BLOWER FAN ASSY MNT	—		R		
	U000966431xx	└ BLOWER FAN	1	1			
R-9	U001211905xx	PCB-ASSY-ASC1 MNT	—		R		LP-1040-MF
	U001171743xx	└ PCB-ASSY-ASC1	1	1			
	U001305832xx	└ PCB-ASSY-ASC1-MNT leaflet 1308	1	—			
R-10	U001253788xx	HV(4CH)-PSU-T2 A1 MNT	—		R		
	U001212636xx	└ HV(4CH)-PSU-T2	1	1			
R-11	U100001696xx	PCB-ASSY-ARC2 2060 MNT	—		R	S	PR Model
	U100001045xx	└ PCB-ARC2-UNIT 2060	(1)	(1)			
	U001304752xx	└ PCB-ASSY-ARC1ARC2-MNT leaflet	1	—			
R-12	U001295987xx	T2ARC-EEPROM MNT	—		R		
	U001291634xx	└ IC(EEPROM)	1	1			

P: Quantity per package, Q: Used quantity, R: Recommended part, C: Consumable, S: Selectable, O: Optional

9. FUSER BASE UNIT



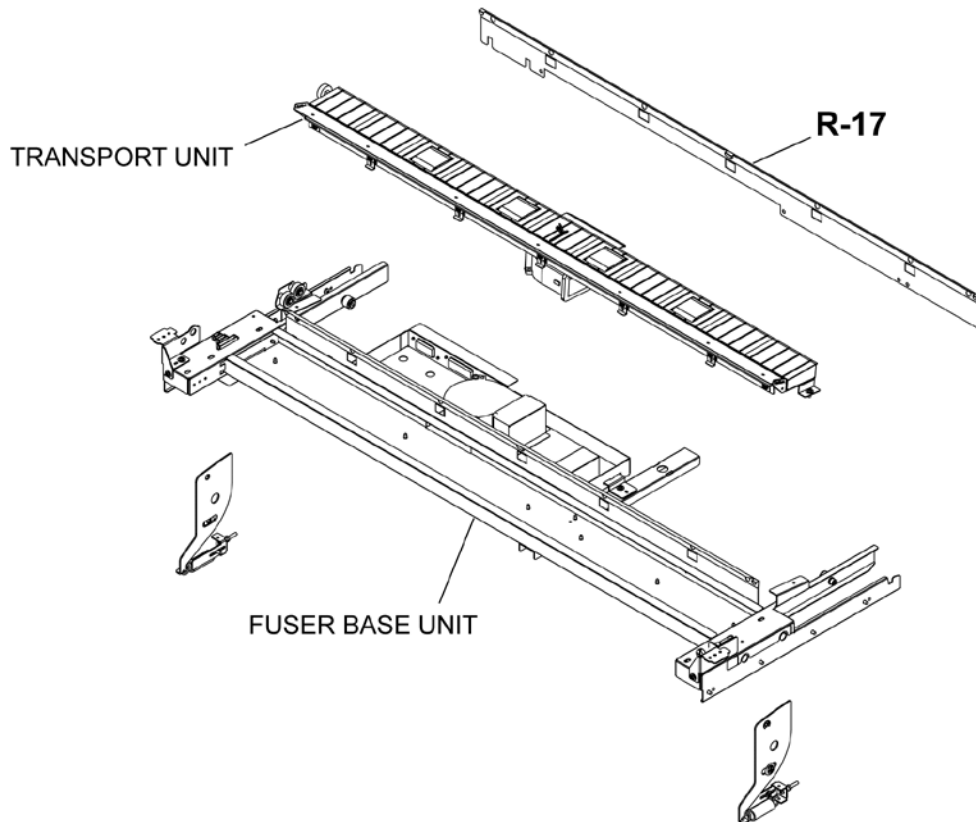
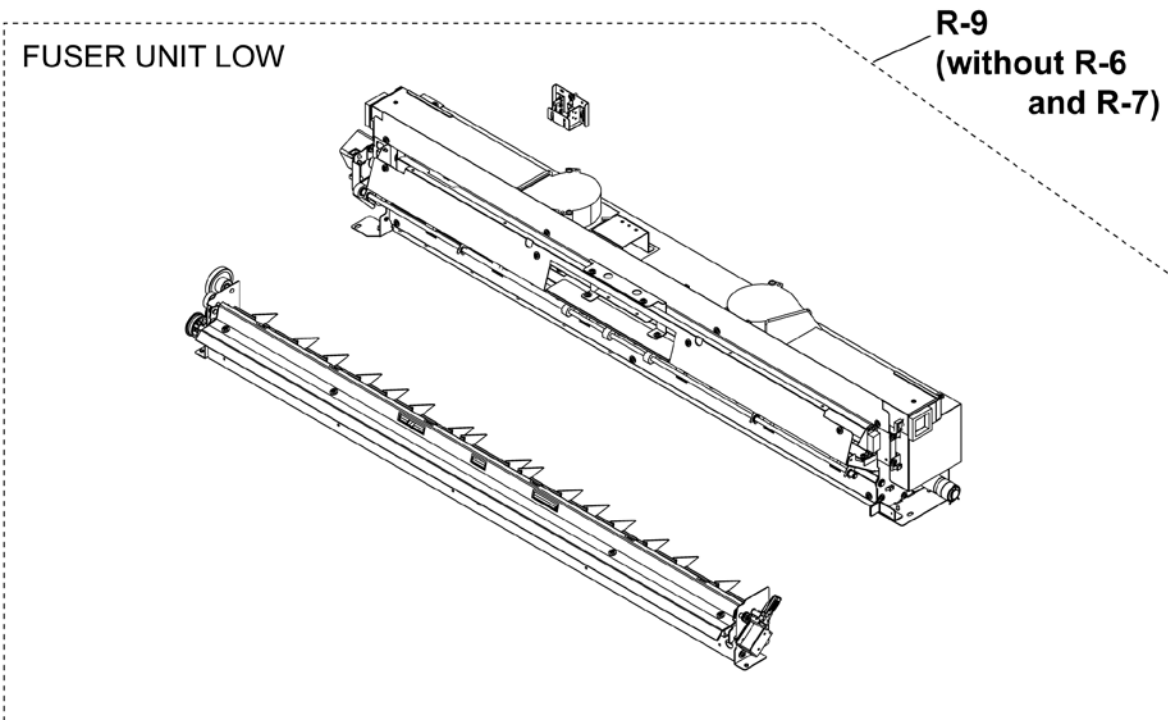
Recommended parts list (FUSER BASE UNIT)

No.	Part Number	Part Name	P	Q	R/C	S/O	Note
R-1	U001207618xx	BLOWER FAN,BL01,02,06 MNT	—		R		
	U001211387xx	└ BL01 ASSY	1	1			

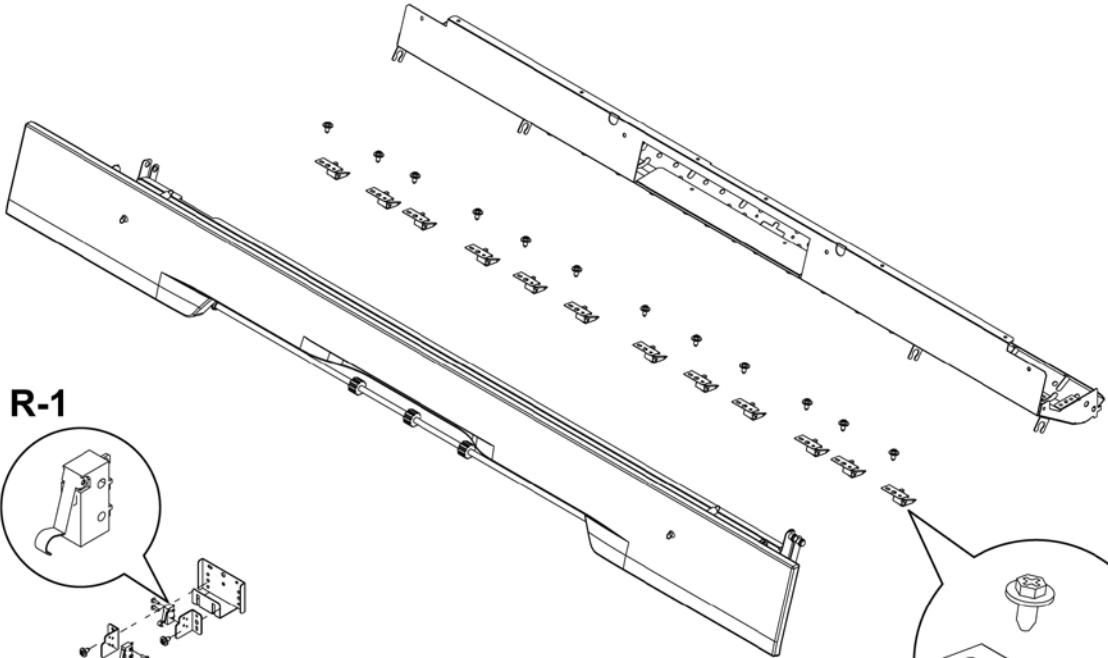
P: Quantity per package, Q: Used quantity, R: Recommended part, C: Consumable, S: Selectable, O: Optional

10. FUSER UNIT

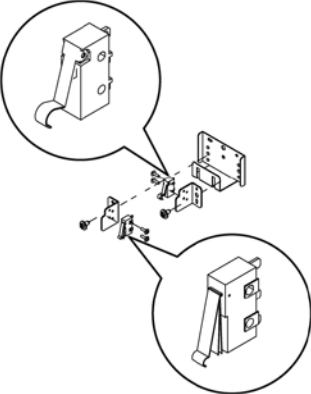
(1) FUSER UNIT AND PERIPHERAL UNITS



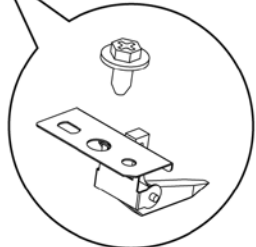
(2) ROLLER(BACK UP) ASSY, ROLLER(HEAT)-ASSY



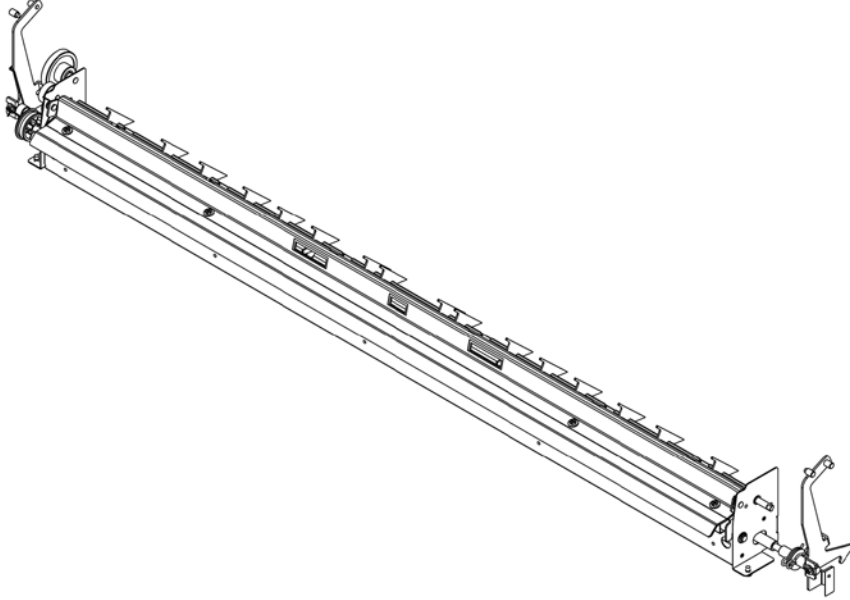
R-1



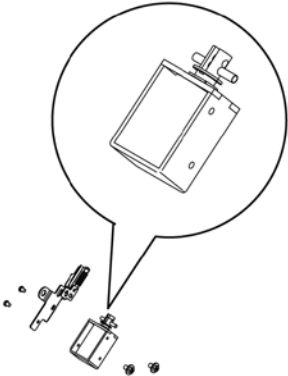
R-2



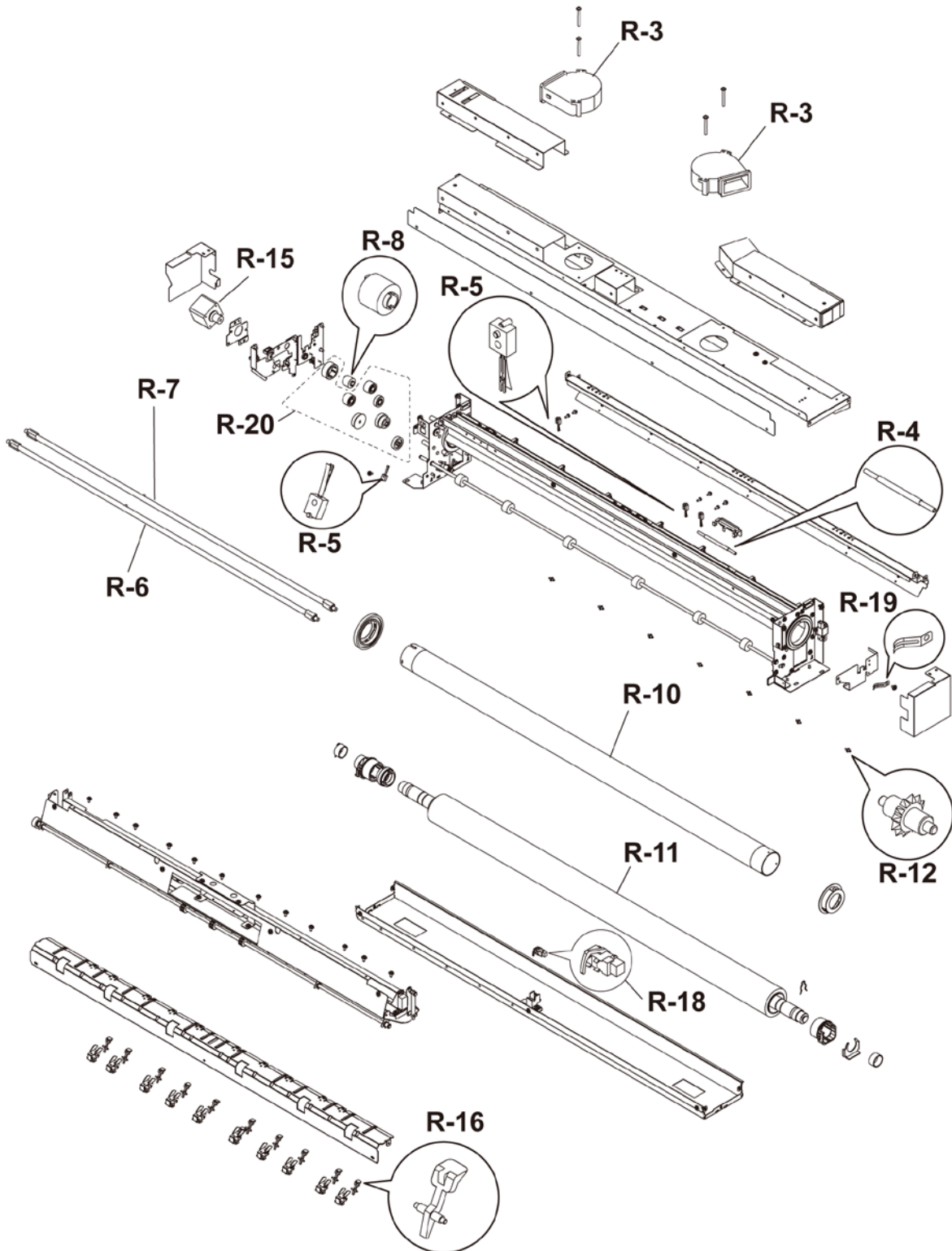
R-14



R-13



(3) SIDE-FRAME AND PERIPHERAL PARTS



Recommended parts list (FUSER UNIT)

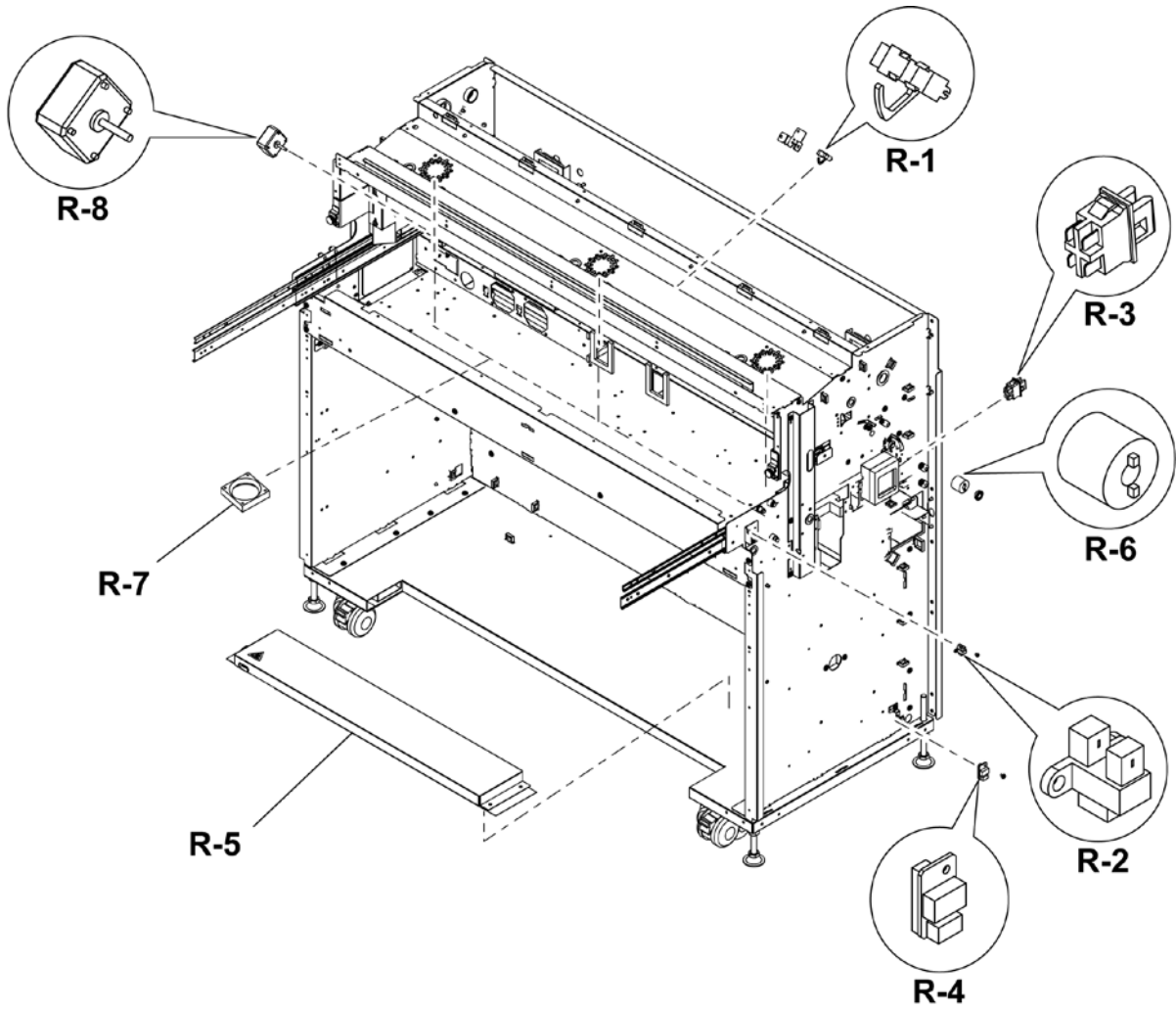
No.	Part Number	Part Name	P	Q	R/C	S/O	Note
R-1	U001207438xx	MICRO SWITCH, 04,05,06-1 MNT	—		R		
	U000885014xx	└ MICRO-SWITCH-(MS06-1) ASSY	5	1			
R-2	U001207473xx	MICRO SWITCH, 06-2 MNT	—		R		
	U000878602xx	└ MICRO-SWITCH-(MS06-2) ASSY	5	1			
R-3	U001207618xx	BLOWER FAN,BL01,02,06 MNT	—		R		
	U001211387xx	└ BL01 ASSY	1	2			
R-4	U001207653xx	FUSE ASSY MNT	—		R		
	U001192331xx	└ FUSE-ASSY	10	1			
R-5	U001207675xx	THERMISTOR,TH01,02,04,05 MNT	—		R		
	U001183590xx	└ FS-SENSOR	5	4			
R-6	U001228634xx	HALOGEN LAMP MAIN 100V-600W MNT	—		R	S	For Japan
	U001192904xx	└ HALOGEN LAMP-MAIN(100V-600W)	1	1			
R-6	U001228678xx	HALOGEN LAMP MAIN 120V-600W MNT	—		R	S	For North America
	U001192926xx	└ HALOGEN LAMP-MAIN(120V-600W)	1	1			
R-6	U001228713xx	HALOGEN LAMP MAIN 230V-600W MNT	—		R	S	For Europe, South America, and China
	U001192948xx	└ HALOGEN LAMP-MAIN(230V-600W)	1	1			
R-7	U001228656xx	HALOGEN LAMP SUB 100V-600W MNT	—		R	S	For Japan
	U001192915xx	└ HALOGEN LAMP-SUB(100V-600W)	1	1			
R-7	U001228691xx	HALOGEN LAMP SUB 120V-600W MNT	—		R	S	For North America
	U001192937xx	└ HALOGEN LAMP-SUB(120V-600W)	1	1			
R-7	U001228735xx	HALOGEN LAMP SUB 230V-600W MNT	—		R	S	For Europe, South America, and China
	U001192950xx	└ HALOGEN LAMP-SUB(230V-600W)	1	1			
R-8	U001228713xx	HALOGEN LAMP MAIN 230V-600W MNT	—	1	R		For Europe, South America, and China
	U001192948xx	└ HALOGEN LAMP-MAIN(230V-600W)	1				
R-8	U001207877xx	TORQUE LIMITER MNT	—		R		
	U001227150xx	└ TORQUE LIMITER (PBT)	2	1			
R-9	U001228770xx	FUSER UNIT,WITHOUT HEATER,MNT	—		R	S	
	U001218194xx	└ FUSER UNIT LOW	(1)	(1)			
R-10	U001208924xx	ROLLER HEAT MNT	—		R	S	
	U001192228xx	└ ROLLER(HEAT)	1	1			
	U001199046xx	└ SELF-TAPPING PAN HEAD B-TITE SCREW	3	3			No.19
R-11	U001208946xx	ROLLER BACK UP ST MNT	—		R		
	U001198484xx	└ ROLLER(BACK UP-ST)	1	1			
	U001225822xx	└ ROLLER(BACKUP-K)	1	1			
R-12	U001208981xx	SPUR FUSER MNT	—		R		
	U001038262xx	└ S-WHEEL(FUSER)	10	7			
R-13	U001275771xx	SL01 LOW MNT	—		R		
	U001206123xx	└ SL01KIT(LOW)	3	1			
R-14	U001209216xx	PEELER FU OUT MNT	—		R		
	U001206101xx	└ PEELER(FU-OUT)	(2)	(12)			
R-15	U001209756xx	MOTOR HM MNT	—		R		
	U001191857xx	└ MOTOR (HM)	5	1			

FUSER UNIT

No.	Part Number	Part Name	P	Q	R/C	S/O	Note
R-16	U001066757xx U001066768xx	Separator (BUR) MNT └ SEPARATOR(BUR)ASSY	— (1)	(10)	R		
R-17	U001220477xx U001219961xx	SHEET CARBON BR MNT └ SHEET-CARBON-BR-ASSY	— (1)	(1)	R		
R-18	U001207495xx U000439852xx	PHOTOSENSOR,04,05,07 MNT └ PHOTORENSOR 1	— 10	1	R		
R-19	U001276290xx U001191993xx	EARTH-CONTACT MNT EARTH-CONTACT	— 20	1			
R-20	U001345318xx U000878771xx U001191971xx U000878523xx U001192105xx U000878501xx	FUS GEAR MNT ┆ GEAR(Z19) ┆ GEAR(Z19-HASU) ┆ GEAR(Z25-20) ┆ GEAR(Z30-HIRA) └ GEAR(END)	— 2 1 1 1 1	1 2 1 1 1	R		

P: Quantity per package, Q: Used quantity, R: Recommended part, C: Consumable, S: Selectable, O: Optional

11. MAIN FRAME UNIT

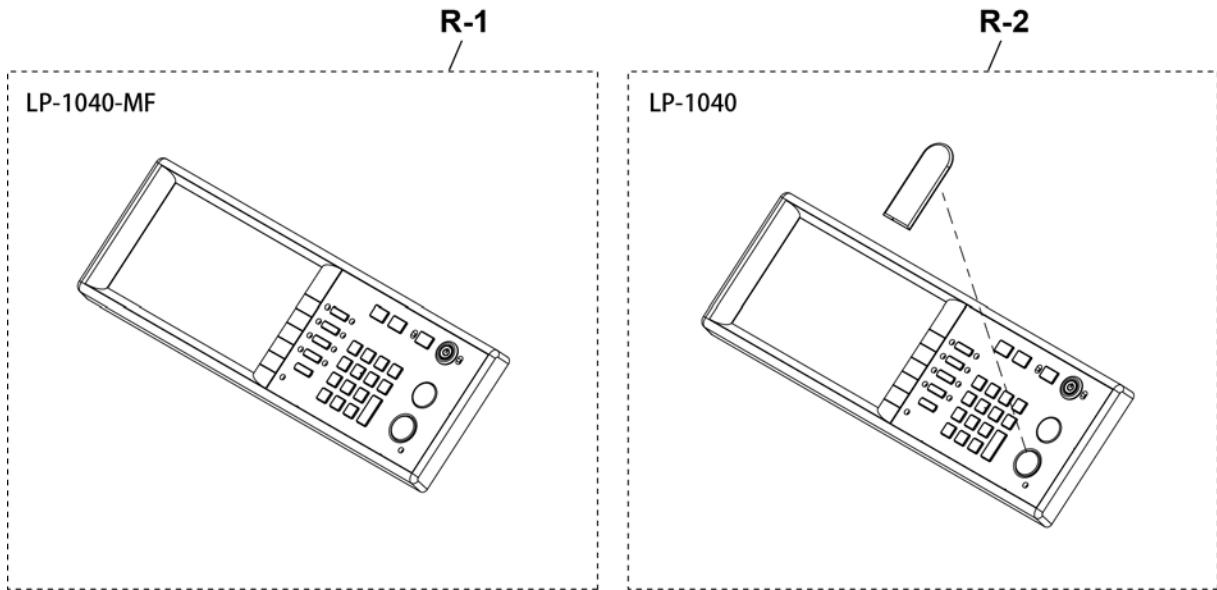


Recommended parts list (MAIN FRAME UNIT)

No.	Part Number	Part Name	P	Q	R/C	S/O	Note
R-1	U001207495xx	PHOTOSENSOR,04,05,07 MNT	—		R		
	U000439852xx	└ PHOTOSENSOR 1	10	1			
R-2	U001209892xx	PHOTO INTERRUPTER,PS16 MNT	—		R		
	U001193466xx	└ PS16	2	1			
R-3	U001207596xx	INTERLOCK SWITCH,INT3, MS18 MNT	—		R	S	Two different switches are used depending on the manufacturing date. For more details on these switches, see the Maintenance Manual .
	U001200802xx	└ INTAROKKUSUITCHI FA3L-CA22	5	1			
R-3	2051429P2000	FA3L-BA22	1	1	R	S	
R-4	U001207710xx	TEMPERATURE HUMIDITY SENSOR MNT	—		R		
	U001196190xx	└ HYGROTHERMAL SENSOR	1	1			
R-5	U001207732xx	HEATER ROLL PAPER MNT	—		R		
	U001190968xx	└ ROLL PAPER HEATER UNIT	(1)	(1)			
R-6	U001209238xx	TORQUE LIMITTER REGIST MNT	—		R		
	U001214616xx	└ TORQUE LIMITTER (REGIST) 0.6	1	1			
R-7	U001209295xx	BL03 ASSY MNT	—		R		
	U001187098xx	└ T2-FAN-BL03	1	3			
R-8	U001209778xx	MOTOR TM ASSY MNT	—		R		
	U000882707xx	└ MOTOR (TM) ASSY	(1)	(1)			

P: Quantity per package, Q: Used quantity, R: Recommended part, C: Consumable, S: Selectable, O: Optional

12. PANEL UNIT

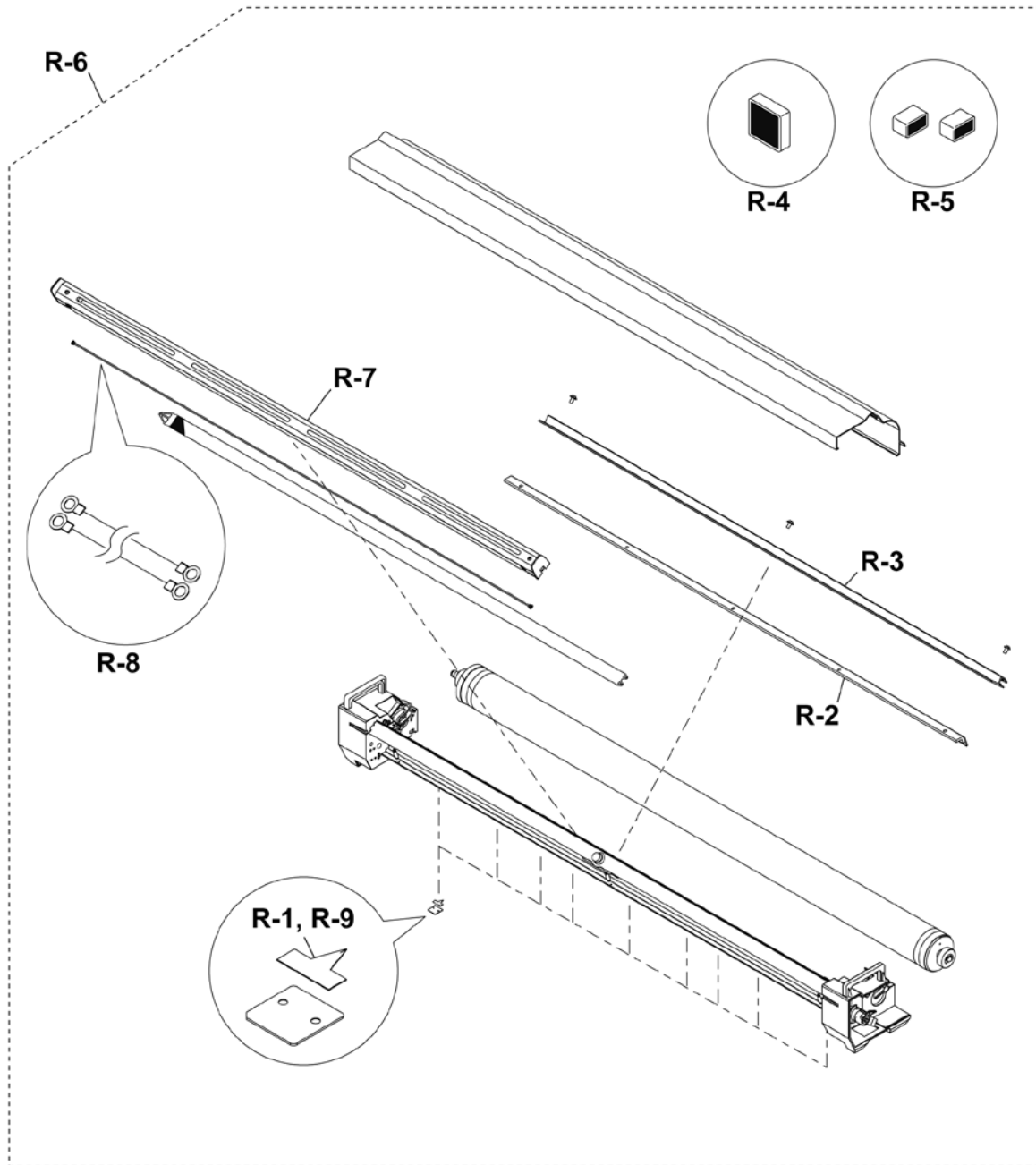


Recommended parts list (PANEL UNIT)

No.	Part Number	Part Name	P	Q	R/C	S/O	Note
R-1	U100001618xx	PANEL ASSY T2E MNT	—		R	S	LP-1040-MF
	U100000843xx	└ PANEL-ASSY-T2E	(1)	(1)			
R-2	U100001619xx	PANEL ASSY T2E MNT	—		R	S	LP-1040
	U100000843xx	└ PANEL-ASSY-T2E	(1)	(1)			
	U100000855xx	└ KEY-COVER-ASSY-T2E	(1)	(1)			

P: Quantity per package, **Q:** Used quantity, **R:** Recommended part, **C:** Consumable, **S:** Selectable, **O:** Optional

13. PROCESS CARTRIDGE UNIT/PROCESS CARTRIDGE 60 UNIT



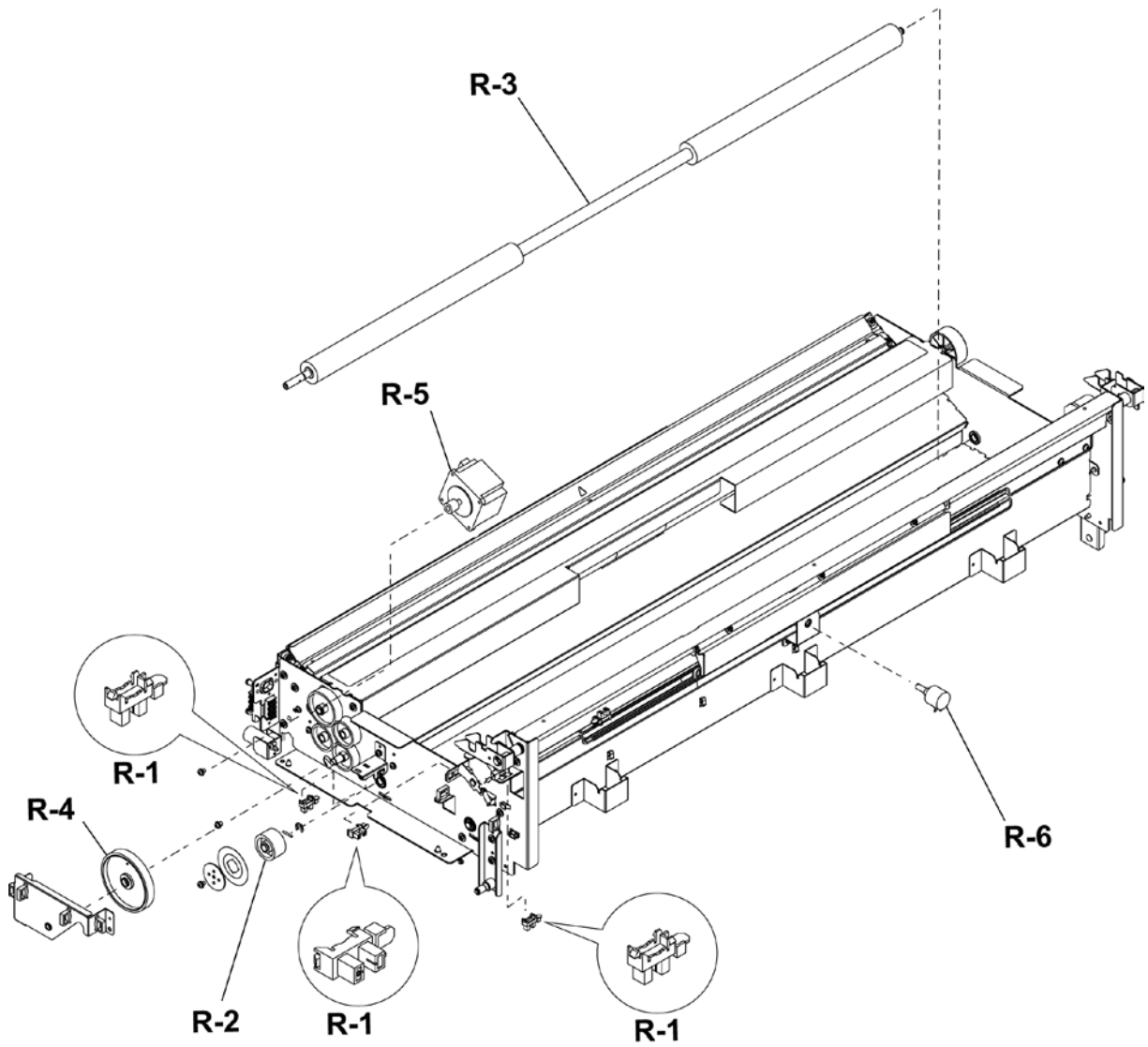
Recommended parts list (PROCESS CARTRIDGE UNIT)

No.	Part Number	Part Name	P	Q	R/C	S/O	Note
R-1	U001209003xx	DRUM FINGER MNT	—		R		For process cartridge 60 unit
	U001221715xx	└ PLATE(CLEANER-DRUM)	3	9			
	U001225743xx	└ SHEET(CLEANER DRUM)-t0.25	3	9			
R-2	U001237948xx	BLADE-CLEANER-SS002 MNT	1	1	R		
R-3	U001209172xx	ERASER ASSY MNT	—		R		
	U001192702xx	└ ERASER ASSY	1	1			
R-4	U001209374xx	FILTER T2 MNT	—		R		
	U001196335xx	└ FILTER-T2	2	1			
R-5	U001209396xx	FILTER FUS MNT	—		R		
	U001192871xx	└ FILTER (FUS)	3	2			
R-6	U001192353xx	PROCESS CARTRIDGE UNIT	(1)	(1)	C		
R-7	U001209431xx	SCOROTRON CHAGER UNIT	—		R		
	U001193804xx	└ CHARGE-SCOROTRON-ASSY	(1)	(1)			
R-8	U000925514xx	WIRE(CHARGER)MNT	1	2	R		
R-9	U001282937xx	DRUM FINGER W MNT			R		For process cartridge unit
	U001282926xx	└ PLATE(CLEANER-DRUM)-S	3	(9)			
	U001282915xx	└ SHEET(CLEANER DRUM)-W	3	(9)			
R-10	U001282948xx	PROCESS CARTRIDGE 60 UNIT	(1)	(1)	C		

P: Quantity per package, Q: Used quantity, R: Recommended part, C: Consumable, S: Selectable, O: Optional

Note: R-1 is for LP-872.
R-9 is for LP-852.

14. ROLL FEED UNIT



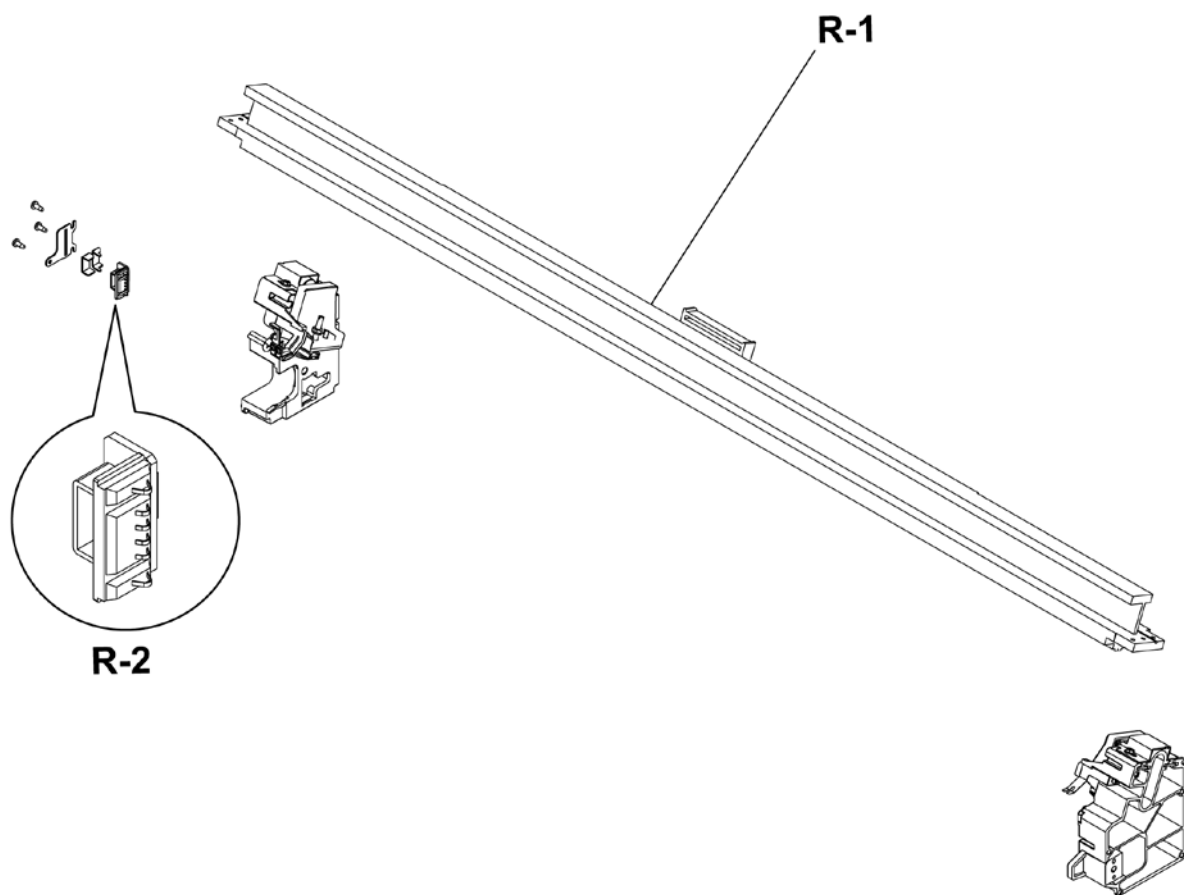
Recommended parts list (ROLL FEED UNIT)

No.	Part Number	Part Name	P	Q	R/C	S/O	Note
R-1	U001210825xx	PHOTO INTERRUPTER MNT	—		R		
	U000446141xx	└ PHOTOINTERRUPTER	20	3			
R-2	U001209058xx	GEAR LIMITTER MNT	—		R		
	U000441955xx	└ GEAR(LIMITER)	1	1			
R-3	U001228792xx	ROLLER REWIND LOW MNT	—		R		
	U001218576xx	└ ROLLER (REWIND) LOW	1	1			
R-4	U001209115xx	GEAR ONEWAY MNT	—		R		
	U000441944xx	└ GEAR(ONEWAY)	5	1			
R-5	U001209510xx	MOTOR FM MNT	—		R		
	U001187908xx	└ MOTOR(FM)	1	1			
R-6	U001217171xx	PTM ASSY MNT	—		R		
	U001194941xx	└ PTM-ASSY	1	1			

P: Quantity per package, **Q:** Used quantity, **R:** Recommended part, **C:** Consumable, **S:** Selectable, **O:** Optional

Note: The table above lists the part information for one roll feed unit.

15. SUB FRAME UNIT

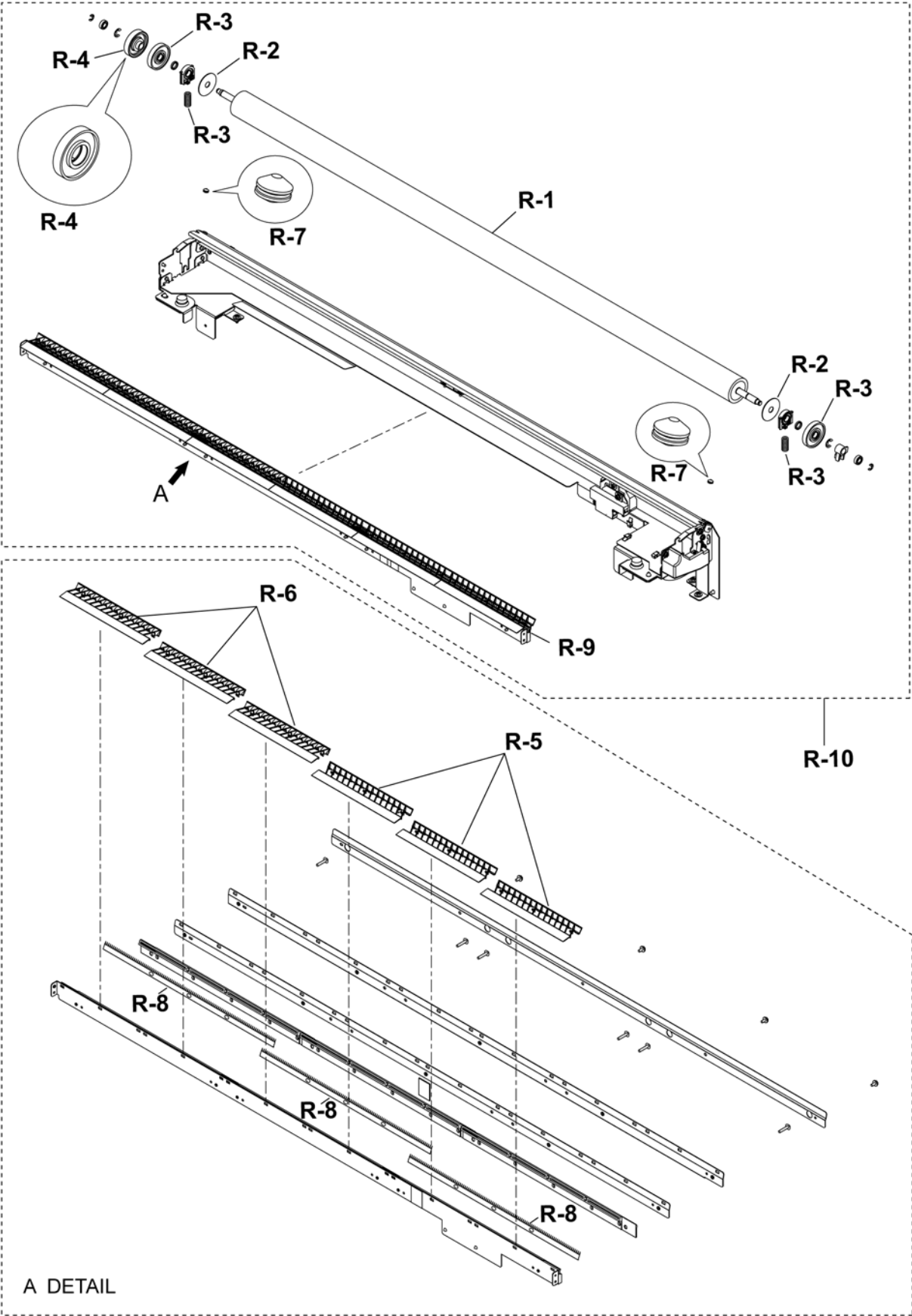


Recommended parts list (SUB FRAME UNIT)

No.	Part Number	Part Name	P	Q	R/C	S/O	Note
R-1	U001209150xx	LED HEAD MNT	—		R		
	U001194197xx	└ LED-HEAD-SLA20B-ASSY	(1)	(1)			
R-2	U001211927xx	PCB-ASSY-ACN1 MNT	—		R		
	U001186435xx	└ PCB-ASSY-ACN1	1	1			

P: Quantity per package, Q: Used quantity, R: Recommended part, C: Consumable, S: Selectable, O: Optional

16. TRANSFER ROLLER UNIT

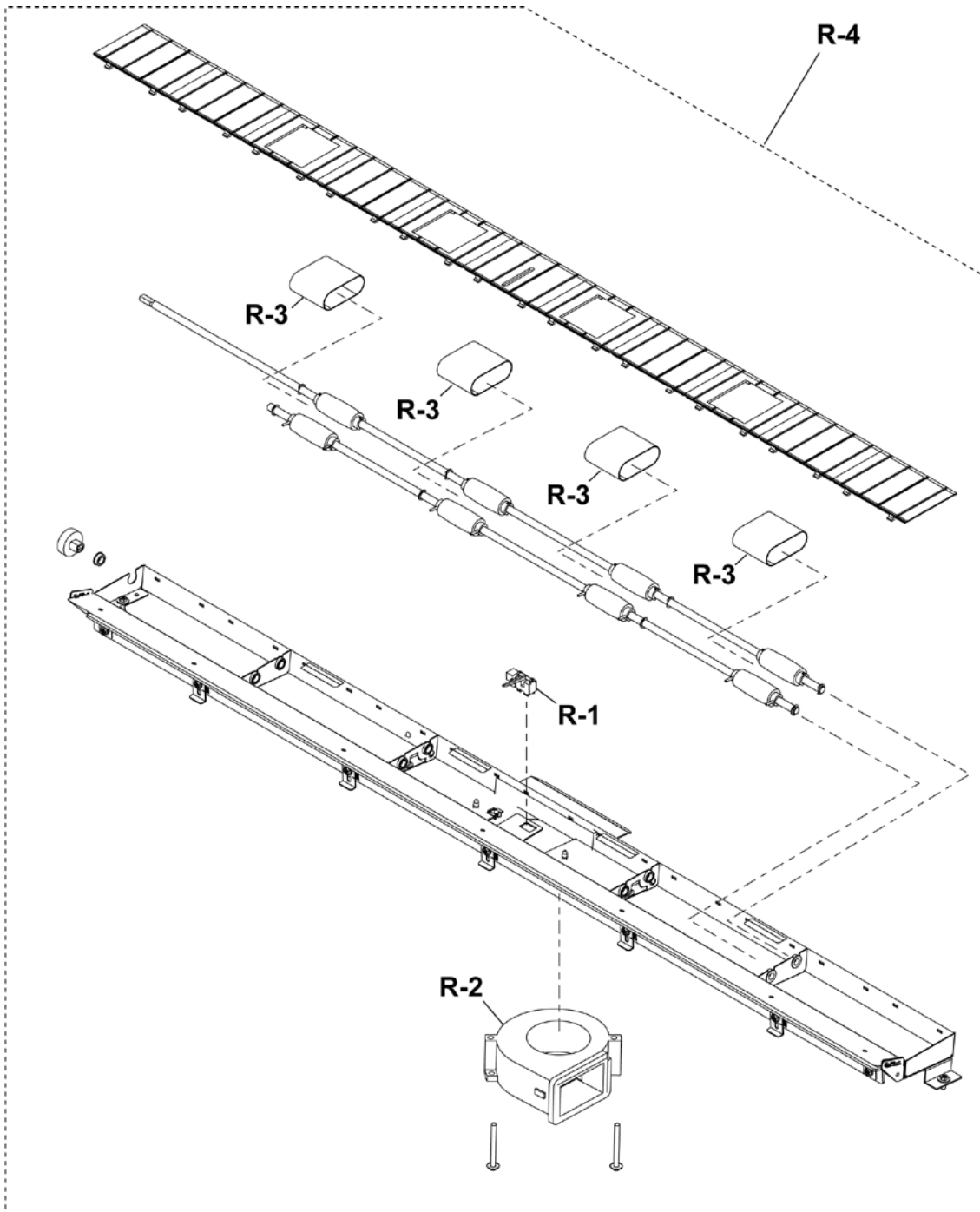


Recommended parts list (TRANSFER ROLLER UNIT)

No.	Part Number	Part Name	P	Q	R/C	S/O	Note
R-1	U001208586xx	ROLLER TRA 3565 MNT	—		R		
	U001189247xx	└ ROLLER (TRA-3565)	1	1			
R-2	U001208608xx	SHEET TRA MNT	—		R		
	U001189258xx	└ SHEET (TRA)	50	2			
R-3	U001208621xx	SPACER TRA MNT	—		R		
	U001230401xx	└ SPACER (TRA-3555)	5	2			
	U001230412xx	└ SPRING (TRA-2000)	5	2			
R-4	U001208643xx	GEAR TRA ONEWAY MNT	—		R		
	U001221265xx	└ GEAR (TRA-ONEWAY) CCW	10	1			
R-5	U001208687xx	GUIDE DC R MNT	—		R		
	U001268335xx	└ GUIDE(DC-L)-T2	20	3			
R-6	U001208700xx	GUIDE DC L MNT	—		R		
	U001268346xx	└ GUIDE(DC-L)-T2	20	3			
R-7	U001209633xx	SPACER TRANSFER GUIDE MNT	—		R		
	U000883304xx	└ SPACER (TENSYAMAE 01)	10	2			
	U001230412xx	└ SPRING (TRA-2000)	5	2			
R-8	U001208665xx	DETACH NEEDLE	—		R		
	U001206090xx	└ PLATE(NEEDLE)	2	3			
R-9	U001209137xx	ELECTRODE NEEDLE MNT	—		R		
	U001210601xx	└ ELECTRODE-NEEDLE-ASSY	(1)	(1)			
R-10	U001240380xx	TRANSFER ROLLER UNIT MNT	—		R		
	U001189181xx	└ TRANSFER ROLLER UNIT	(1)	(1)			
	U001207181xx	└ STAY(PACK-TRA)R	1				Part for packing
	U001207192xx	└ STAY(PACK-TRA)L	1				Part for packing

P: Quantity per package, **Q:** Used quantity, **R:** Recommended part, **C:** Consumable, **S:** Selectable, **O:** Optional

17. TRANSPORT UNIT

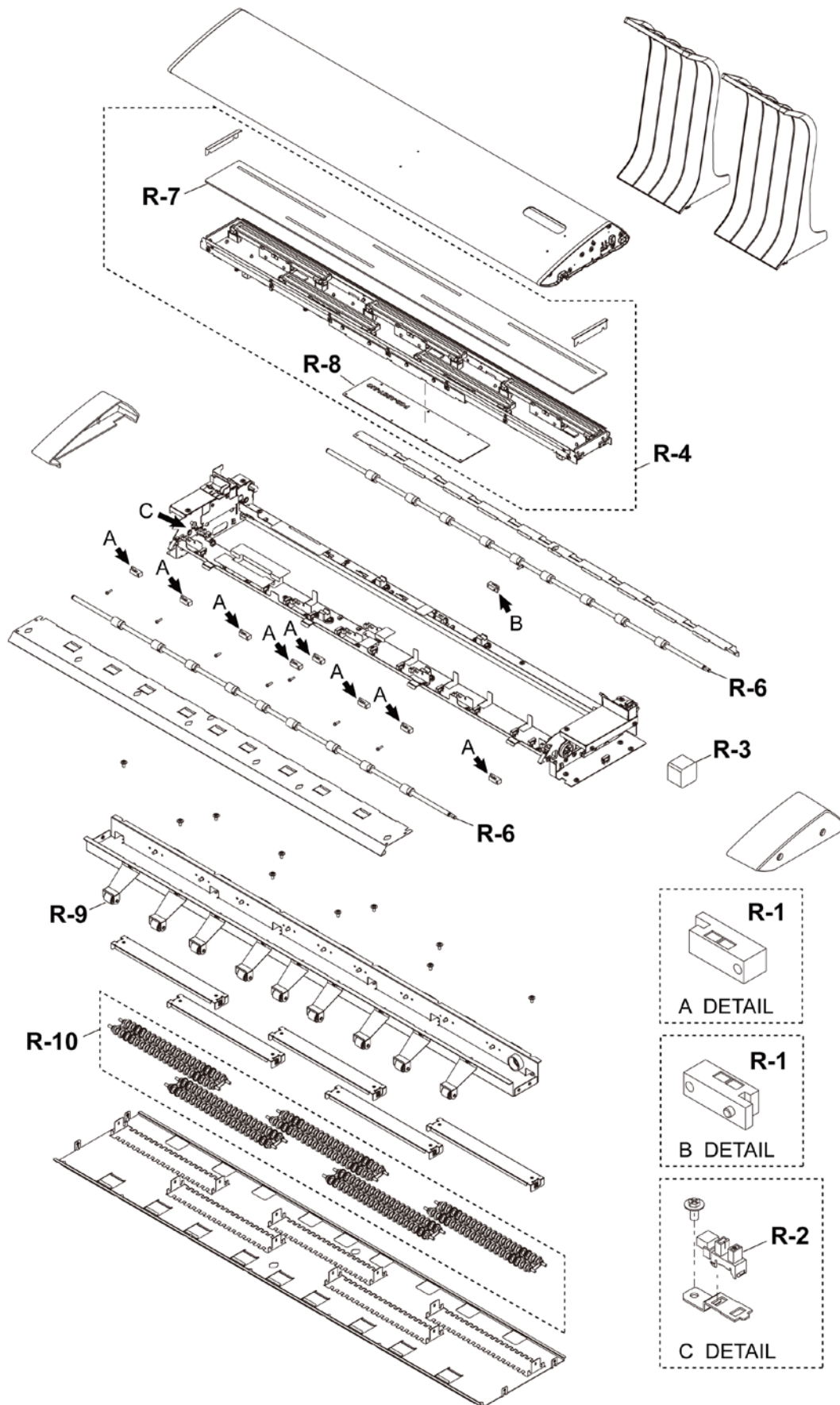


Recommended parts list (TRANSPORT UNIT)

Number	Part Number	Part Name	P	Q	R/C	S/O	Note
R-1	U001207517xx	PHOTOSENSOR,06 MNT	—		R		
	U000439863xx	└ PHOTOSENSOR 2	10	1			
R-2	U001207618xx	BLOWER FAN,BL01,02,06 MNT	—		R		
	U001211387xx	└ BL01 ASSY	1	1			
R-3	U001208968xx	BELT TRANS MNT	—		R		
	U000879243xx	└ BELT(TRANS)	30	4			
R-4	U001209532xx	TRANSPORT UNIT MNT	—		R		
	U001200598xx	└ TRANSPORT UNIT	(1)	(1)			

P: Quantity per package, Q: Used quantity, R: Recommended part, C: Consumable, S: Selectable, O: Optional

18. SCANNER UNIT



Recommended parts list (SCANNER UNIT)

No.	Part Number	Part Name	P	Q	R/C	S/O	Note
R-1	U001209453xx	REFLECTIVE PHOTOSENSOR MNT	—		R		
	U001195626xx	└ PHOTOINTERRUPTER	3	9			
R-2	U001210825xx	PHOTOINTERRUPTER MNT	—		R		
	U000446141xx	└ PHOTOINTERRUPTER	20	1			
R-3	U001209475xx	MOTOR SC MNT	—		R		
	U001189787xx	└ MOTOR-SC	1	1			
R-4	U001209497xx	CIS UNIT MNT	—		R		
	U001190046xx	└ CIS-UNIT	(1)	(1)			
	U001223054xx	└ STOPPER-GLASS-CISUNIT	2	2			
	U000439143xx	└ HEXAGON PLUS SOCKET HEAD TP MACHINE SCREW	2	2			
	U000986062xx	└ ACETATE TAPE	2	2			
	U001225765xx	└ INSTRUCTION TO REMOVE GLASS FIXTURE FROM CIS UNIT MNT	1	1			
R-6	U001316452xx	ROLLER SC G ASSY MNT	—		R		
	U001316204xx	└ ROLLER-SC-G-ASSY	(1)	(2)			
R-7	U001209734xx	GLASS DOCUMENT MNT	—		R		
	U001190147xx	└ GLASS-DOCUMENT	5	1			
R-8	U001211938xx	PCB-ASSY-AIC1 MNT	—		R		
	U001171765xx	└ PCB-ASSY-AIC1	1	1			
R-9	U001316474xx	ROLLER PINCH KK MNT	—		R		
	U001316215xx	└ ROLLER-PINCH-KK	3	18			
R-10	U001253070xx	PLATE SHADING ASSY MNT	—		R		
	U001276233xx	└ PLATE-SHADING-ASSY-FRONT	(2)	(2)			
	U001276244xx	└ PLATE-SHADING-ASSY-REAR	(3)	(3)			

P: Quantity per package, Q: Used quantity, R: Recommended part, C: Consumable, S: Selectable, O: Optional