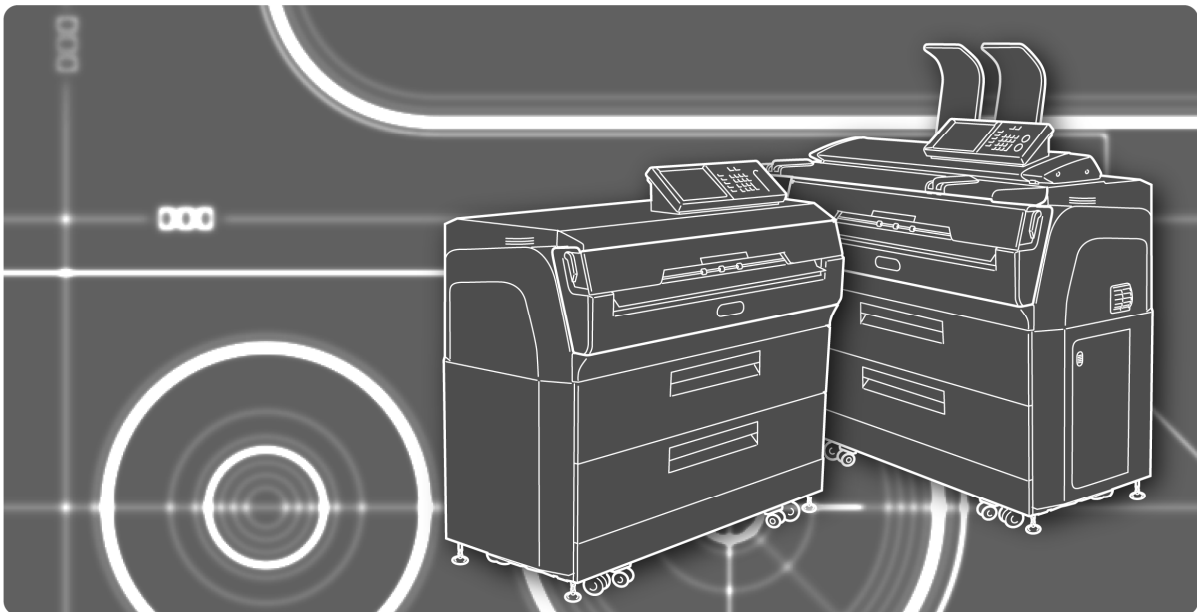




**LP-1030/LP-1030-MF  
Wide Format Printer**

**Parts Catalog**

U00123023200



Seiko I Infotech Inc.

U00123023200

April, 2011

© Seiko I Infotech Inc., 2011

All rights reserved.

The contents of this manual may be changed without prior notice.

### How to use this parts catalog

This parts catalog lists all the parts that we can provide replacement for individually (replaceable parts), as well as the recommended parts.

#### ◆ Parts exploded view

SIIT has specified the recommended parts for the printer, which are shown in the exploded view of the printer broken up into individual blocks and units.

- The replaceable parts are detailed in part lists. The numbers associated with each part on the parts developed views correspond to the numbers in the Number column of the lists. A number in parentheses in that column indicates that the corresponding part is not shown in the developed view.
- The recommended parts are detailed in recommended parts lists. The numbers after R- in the Number column of the recommended parts lists correspond to the recommended parts in the developed views, while the number of the replaceable parts, which compose the recommended parts, in the Note column correspond to the parts numbers listed in the Number column of the parts lists.
- The letters in the developed views indicate standard items, such as screws or retaining rings.
- The standard items are detailed in the Standard Items section at the end of this catalog.

#### ◆ Symbols used in the lists

BQ column : Indicates the box quantity, that is, quantity of products included in one box.  
Parentheses indicate that the part can be break up further.

MOQ column : Indicates the minimum order quantity.

R/P column : Indicates recommended/consumable parts.  
R : Indicates recommended parts other than periodic replacement parts.  
P : Indicates periodic replacement parts.

S/O column : Indicates selectable/optional parts.  
S : Indicates parts that can be selected from different usable types of the same item. The same part number is used in the lists.  
O : Indicates an option.

**Caution**      **R/P column and S/O column are used only when applicable.**

## Table of Contents

<b>JIGS LIST</b>	<b>5</b>
<b>PARTS</b>	<b>7</b>
1. PRINTER CONFIGURATION VIEW.....	8
2. PRINTER EXPLODED VIEW AND OPTIONS .....	9
2.1 LP-1030-MF .....	9
(1) PRINTER EXPLODED VIEW (LP-1030-MF) .....	9
(2) Options (LP-1030-MF).....	11
2.2 LP-1030 .....	12
(1) PRINTER EXPLODED VIEW (LP-1030).....	12
(2) Options (LP-1030) .....	14
3. COVER-UNIT .....	15
4. WASTE TONER BOTTLE UNIT .....	16
5. CUTTER-UNIT .....	17
6. DEVELOPER UNIT .....	18
7. DRIVE UNIT .....	20
8. ELECTRICAL UNIT .....	21
9. FUSER BASE UNIT .....	23
10. FUSER UNIT .....	24
(1) FUSER UNIT AND PERIPHERAL UNITS .....	24
(2) ROLLER(BACK UP) ASSY, ROLLER(HEAT)-ASSY.....	25
(3) SIDE-FRAME AND PERIPHERAL PARTS.....	26
11. MAIN FRAME UNIT .....	28
12. PANEL UNIT .....	30
13. PROCESS CARTRIDGE UNIT .....	31
14. ROLL FEED UNIT.....	33
15. SCANNER UNIT.....	35
16. SUB FRAME UNIT .....	37
17. TRANSFER ROLLER UNIT .....	39
18. TRANSPORT UNIT .....	41

JIGS LIST

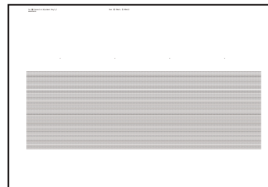
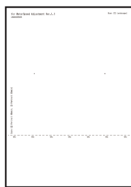
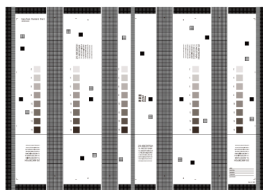
1



2



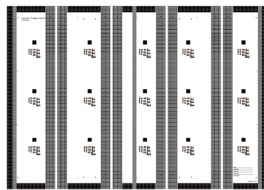
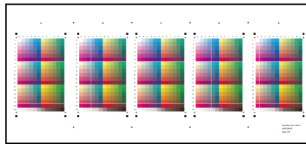
3



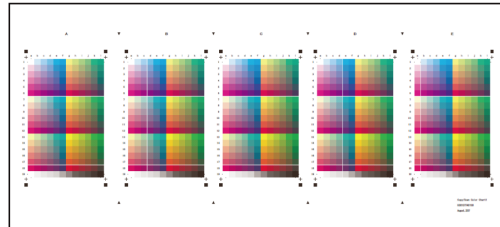
4



5



6



7



8



**JIGS LIST**

Jigs Recommended Parts List

<b>Number</b>	<b>Part Number</b>	<b>Part Name</b>	<b>BQ</b>	<b>MOQ</b>	<b>R/P</b>	<b>S/O</b>	<b>Note</b>
1	3790-0125	HR CLEANER	1				HR cleaner, pack of 10
2	U001209273xx	COTTON CIEGAL MNT	1				For drum cleaning, containing 20 units (100 pcs/unit)
3	U001223640xx	ADJUSTER KIT(SCANNER)	1				Color and monochromatic original documents for scanner adjustment
4	U001034706xx	OPC CLEANER	1				Also usable with LP-1010, contains 1 liter (UN drum)
5	U001221210xx	ADJUSTMENT KIT(COLOR SCANNER)	1				Color and monochromatic original documents for scanner adjustment
6	U001083903xx	Copy/Scan Color Chart1 Set	1				10 color original documents for scanner adjustment
7	U001209870xx	CONTACT GREASE MNT	1				GE-676 (1kg/can)
8	U001215450xx	HEATPROOF GREASE MNT	1				FG-65W (1kg/can)

BQ: Box quantity, MOQ: Minimum order quantity, R: Recommended part, P: Periodic replacement part, S: Selectable, O: Optional

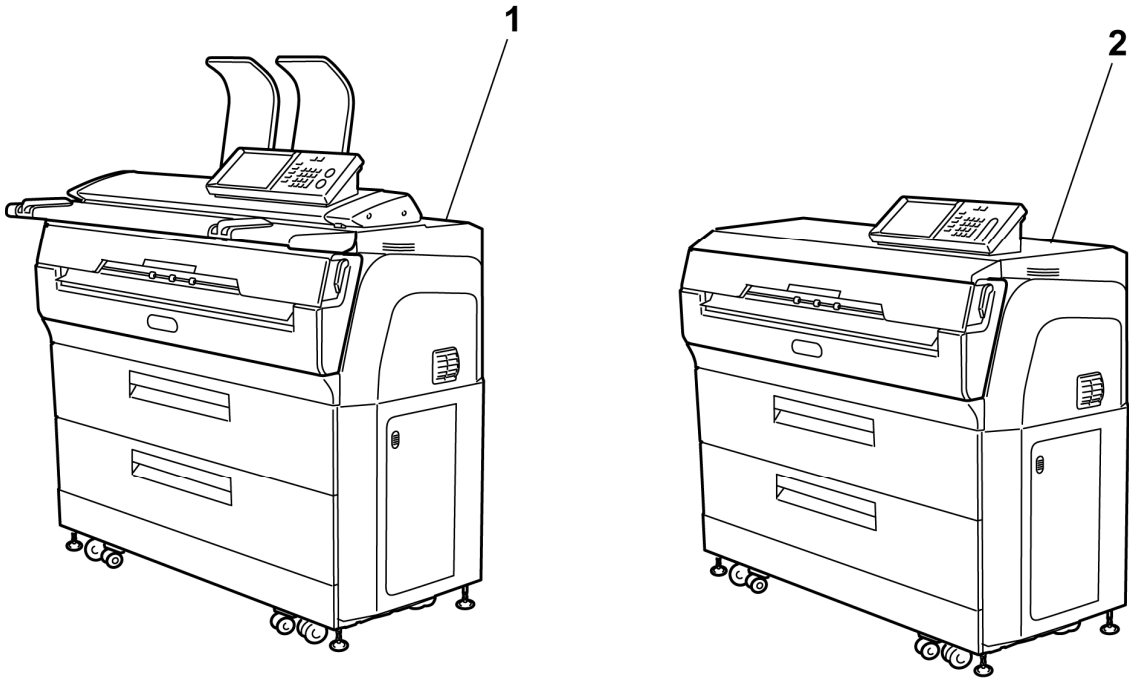
# PARTS

In this section, mechanical parts of each unit are organized in items. Each item is composed of views and lists in the following order.

- Exploded view (developed view)
- Recommended parts list

However, some units do not have recommended parts. In this case, the corresponding list is omitted.

**1. PRINTER CONFIGURATION VIEW**



Parts list (PRINTER CONFIGURATION)

Number	Part Number	Part Name	BQ	MOQ	R/P	S/O	Note
1	—	LP-1030-MF MAIN UNIT	(1)				
2	—	LP-1030 MAIN UNIT	(1)				

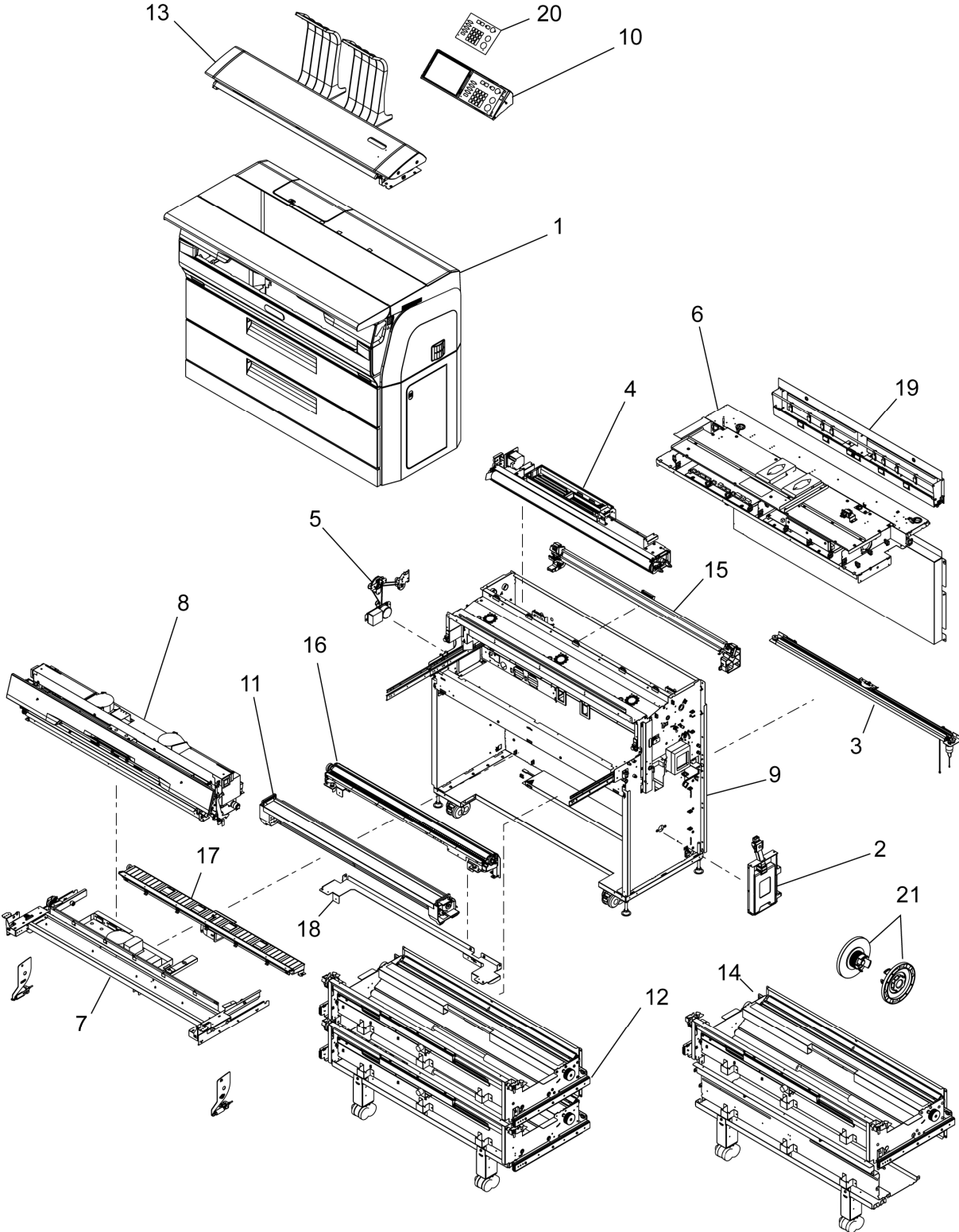
BQ: Box quantity, MOQ: Minimum order quantity, R: Recommended part, P: Periodic replacement part, S: Selectable, O: Optional



2. PRINTER EXPLODED VIEW AND OPTIONS

2.1 LP-1030-MF

(1) PRINTER EXPLODED VIEW (LP-1030-MF)



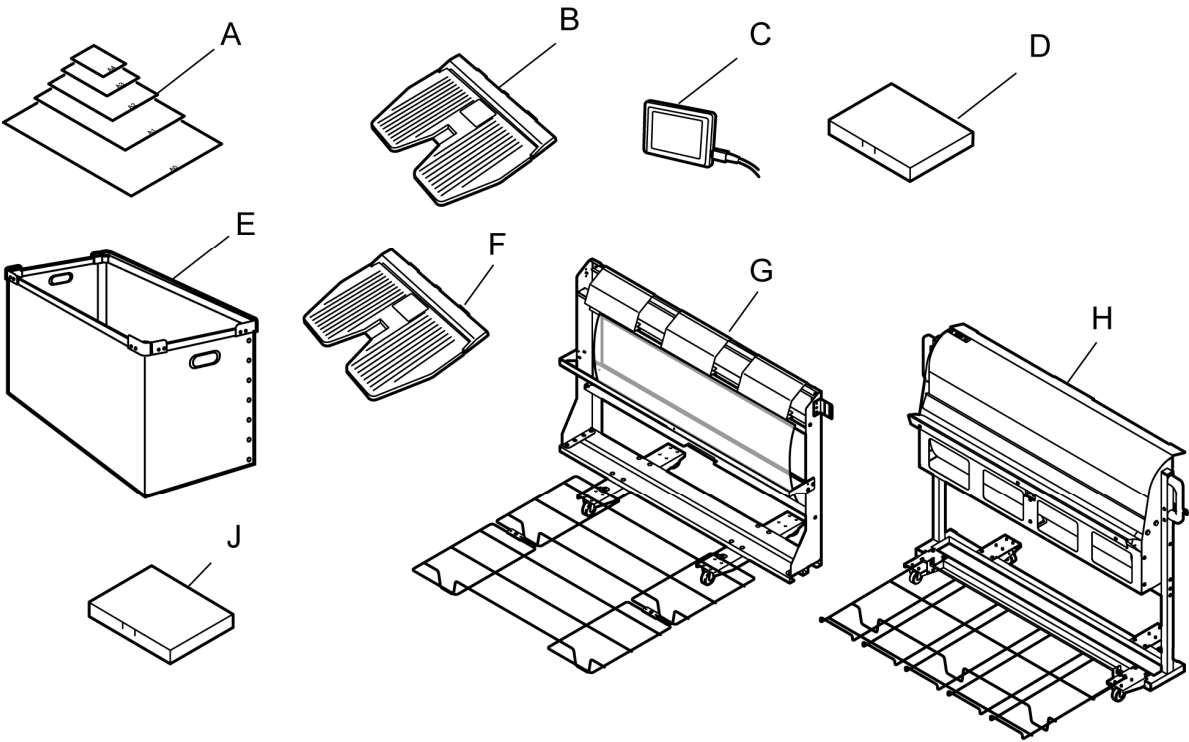
## MAIN UNIT DEVELOPED VIEW

Parts list (MAIN UNIT DEVELOPED VIEW (MF))

Number	Part Number	Part Name	BQ	MOQ	R/P	S/O	Note
1	U001222751xx	COVER-UNIT-LOW(MF)	1				
2	U001217744xx	WASTE TONER BOTTLE UNIT LOW	1				
3	U001217902xx	CUTTER UNIT LOW	1		P		
4	U001194963xx	DEVELOPER UNIT	1		R		
5	U001195356xx	DRIVE-UNIT	1				
6	U001217913xx	ELECTRICAL-UNIT-LOW(MF)-100V	1			S	For Japan and North America
6	U001221827xx	ELECTRICAL-UNIT-LOW(MF)-200V	1			S	For Europe and China
7	U001217801xx	FUSER BASE UNIT LOW	1				
8	U001218183xx	FUSER UNIT LOW 100V	1			S	For Japan
8	U001222975xx	FUSER UNIT LOW 120V	1			S	For North America
8	U001222986xx	FUSER UNIT LOW 230V	1			S	For Europe and China
9	U001217316xx	MAIN FRAME UNIT LOW	1				
10	U001187188xx	MF-PANEL-UNIT	1				
11	U001192353xx	PROCESS CARTRIDGE UNIT	1		P		
12	U001218453xx	ROLL FEED UNIT LOW	1			S	For upper and lower roll paper drawers
13	U001219318xx	SCANNER-UNIT-LOW	1				
14	U001223245xx	ROLL FEED UNIT LOW(S)	1			S	For lower roll paper drawer only
15	U001226542xx	SUB FRAME UNIT(LOW)	1				
16	U001189181xx	TRANSFER ROLLER-UNIT	1				
17	U001200598xx	TRANSPORT UNIT	1		R		
18	U001226520xx	HOLDER(TRA-UNIT)-LOW-ASSY	1				
19	U001217676xx	BUFFER UNIT LOW	1				
20	U001187212xx	PANEL-OVERLAY-MF-JPN	1			S	Japanese
20	U001202995xx	PANEL-OVERLAY-MF-ENG	1			S	English
20	U001203006xx	PANEL-OVERLAY-MF-CHI	1			S	Chinese
21	U000891483xx	ROLL FLANGE(EX-L)	4*				The box quantity is 2 when only the lower roll paper drawer is used.

BQ: Box quantity, MOQ: Minimum order quantity, R: Recommended part, P: Periodic replacement part, S: Selectable, O: Optional

(2) Options (LP-1030-MF)



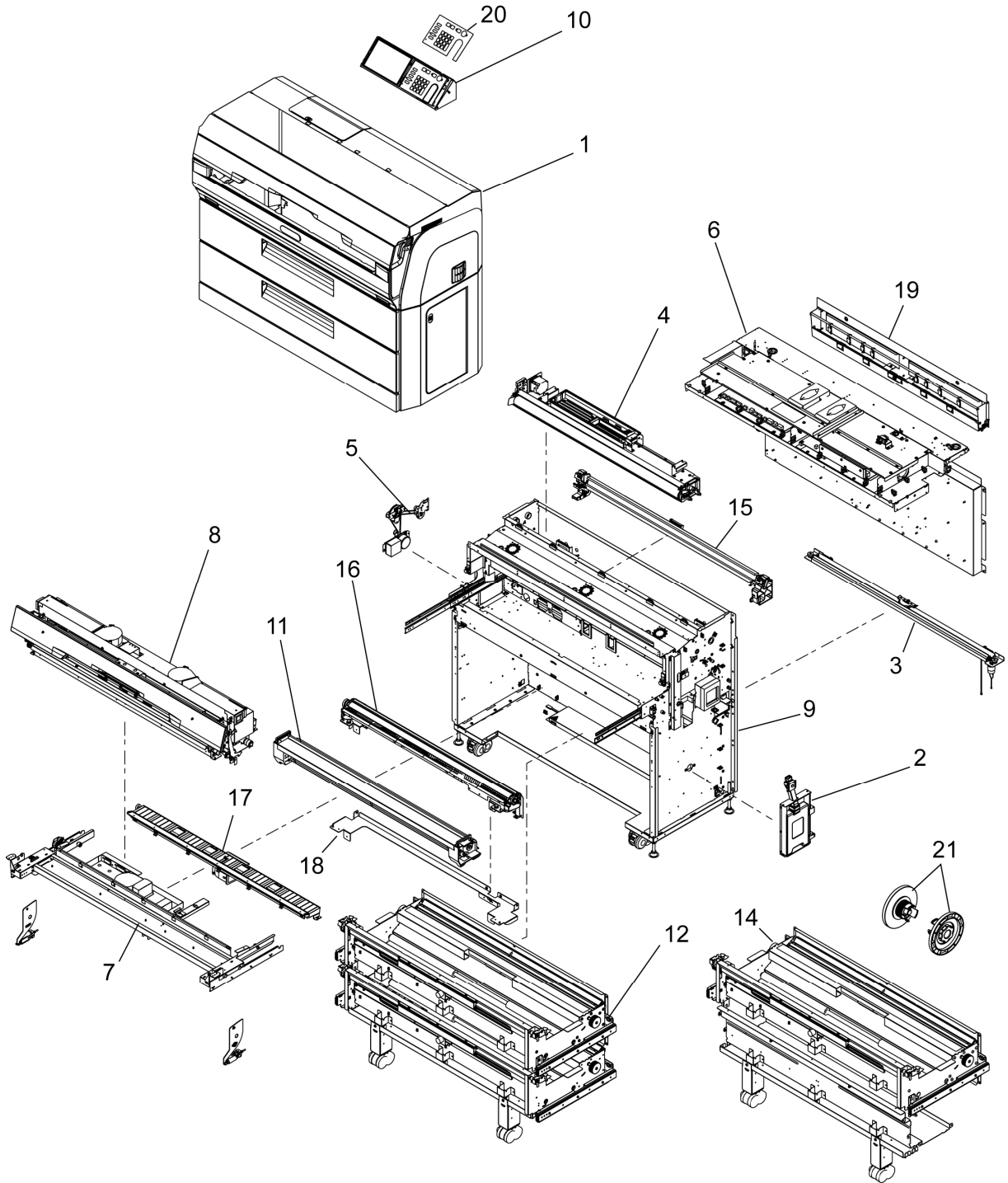
Parts list (Options (MF))

Number	Part Number	Part Name	BQ	MOQ	R/P	S/O	Note
A	U000991710xx	Carrier Sheet Set	1			O	LP-819
B	U001206180xx	A3TRAY	1			O	LP-853
C	U001232561xx	IC-CARD-READER-UNIT	1			O	LP-856
D	U001219860xx	COLOR SCAN UPGRADE	1			O	LP-857
E	U001223122xx	BUCKET(W)	1			O	LP-859
F	U001219353xx	A3 TRAY LOW	1			O	LP-861
G	U001228274xx	STACKER LOW	1			O	LP-862
H	U001233887xx	CATCH BASKET	1			O	LP-863
J	U001236115xx	LENGTHY-PRINT-UPGRADE	1			O	LP-865

BQ: Box quantity, MOQ: Minimum order quantity, R: Recommended part, P: Periodic replacement part, S: Selectable, O: Optional

2.2 LP-1030

(1) PRINTER EXPLODED VIEW (LP-1030)



**MAIN UNIT DEVELOPED VIEW**

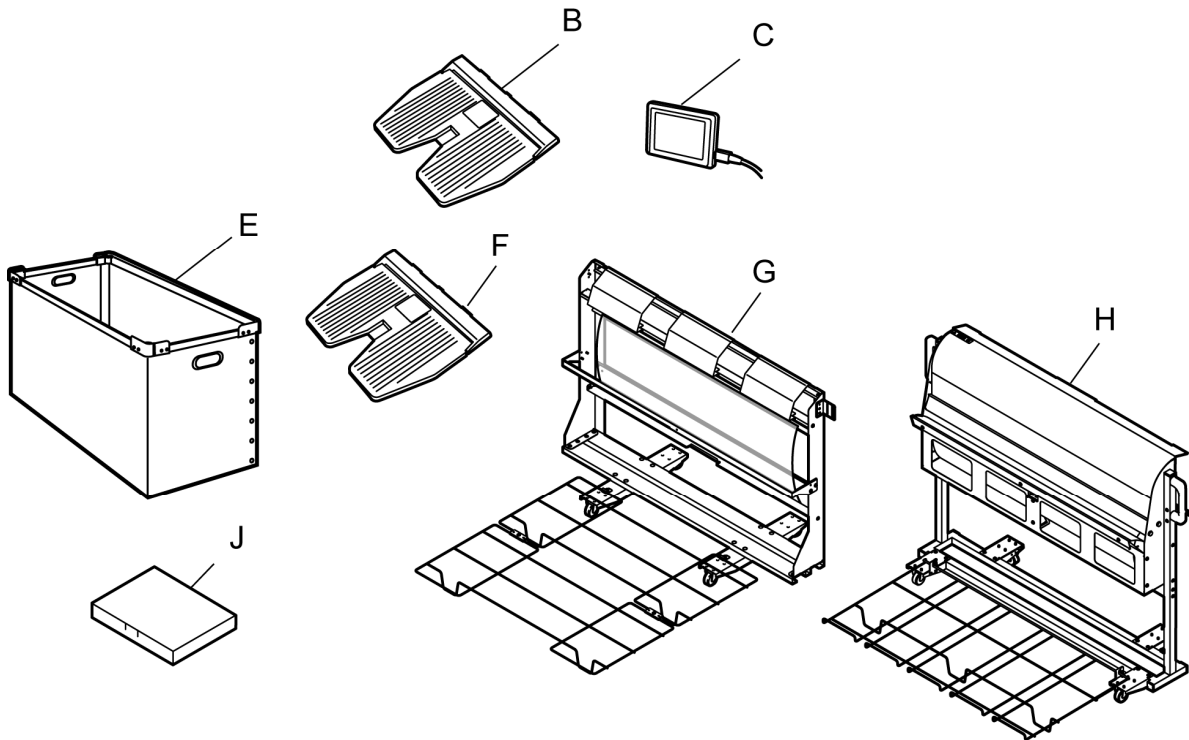
Parts list (MAIN UNIT DEVELOPED VIEW)

Number	Part Number	Part Name	BQ	MOQ	R/P	S/O	Note
1	U001222806xx	COVER-UNIT(PR)-LOW	1				
2	U001217744xx	WASTE TONER BOTTLE UNIT LOW	1				
3	U001217902xx	CUTTER UNIT LOW	1		P		
4	U001194963xx	DEVELOPER UNIT	1		R		
5	U001195356xx	DRIVE-UNIT	1				
6	U001218137xx	ELECTRICAL-UNIT-LOW(PR)-100V	1			S	For Japan and North America
6	U001221838xx	ELECTRICAL-UNIT-LOW(PR)-200V	1			S	For Europe and China
7	U001217801xx	FUSER BASE UNIT LOW	1				
8	U001218183xx	FUSER UNIT LOW 100V	1			S	For Japan
8	U001222975xx	FUSER UNIT LOW 120V	1			S	For North America
8	U001222986xx	FUSER UNIT LOW 230V	1			S	For Europe and China
9	U001217316xx	MAIN FRAME UNIT LOW	1				
10	U001187368xx	PANEL-UNIT	1				
11	U001192353xx	PROCESS CARTRIDGE UNIT	1		P		
12	U001218453xx	ROLL FEED UNIT LOW	1			S	For upper and lower roll paper drawers
14	U001223245xx	ROLL FEED UNIT LOW(S)	1			S	For lower roll paper drawer only
15	U001226542xx	SUB FRAME UNIT(LOW)	1				
16	U001189181xx	TRANSFER ROLLER-UNIT	1				
17	U001200598xx	TRANSPORT UNIT	1		R		
18	U001226520xx	HOLDER(TRA-UNIT)-LOW-ASSY	1				
19	U001217676xx	BUFFER UNIT LOW	1				
20	U001203017xx	PANEL-OVERLAY-PL-JPN	1			S	Japanese
20	U001203028xx	PANEL-OVERLAY-PL-ENG	1			S	English
20	U001203030xx	PANEL-OVERLAY-PL-CHI	1			S	Chinese
21	U000891483xx	ROLL FLANGE(EX-L)	4*				The box quantity is 2 when only the lower roll paper drawer is used.

BQ: Box quantity, MOQ: Minimum order quantity, R: Recommended part, P: Periodic replacement part, S: Selectable, O: Optional

**MAIN UNIT DEVELOPED VIEW**

**(2) Options (LP-1030)**

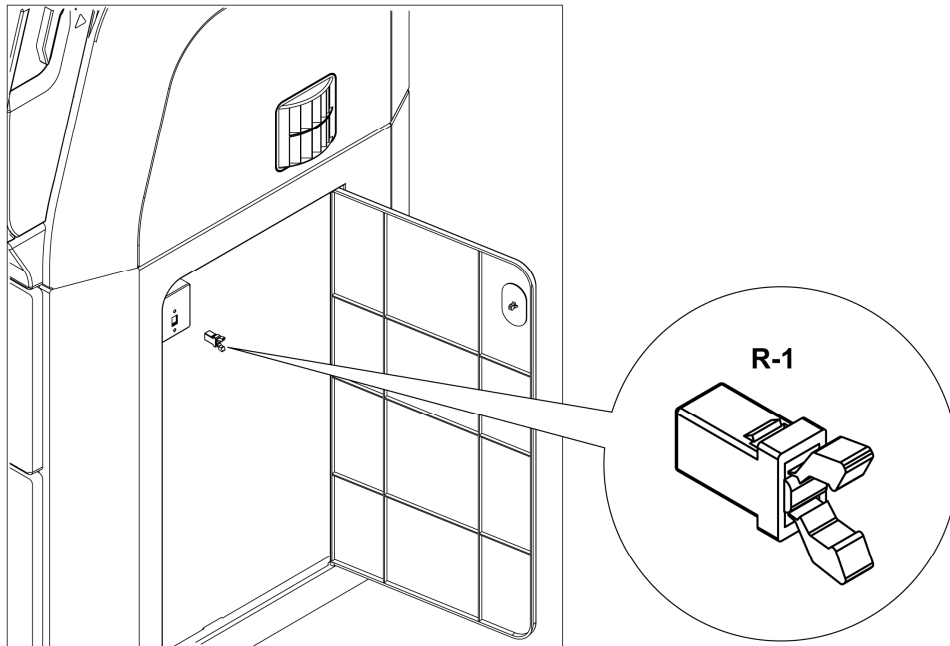


Parts list (Options)

Number	Part Number	Part Name	BQ	MOQ	R/P	S/O	Note
B	U001206180xx	A3TRAY	1			O	LP-853
C	U001232561xx	IC-CARD-READER-UNIT	1			O	LP-856
E	U001223122xx	BUCKET(W)	1			O	LP-859
F	U001219353xx	A3 TRAY LOW	1			O	LP-861
G	U001228274xx	STACKER LOW	1			O	LP-862
H	U001233887xx	CATCH BASKET	1			O	LP-863
J	U001236115xx	LENGTHY-PRINT-UPGRADE	1			O	LP-865

BQ: Box quantity, MOQ: Minimum order quantity, R: Recommended part, P: Periodic replacement part, S: Selectable, O: Optional

### 3. COVER-UNIT

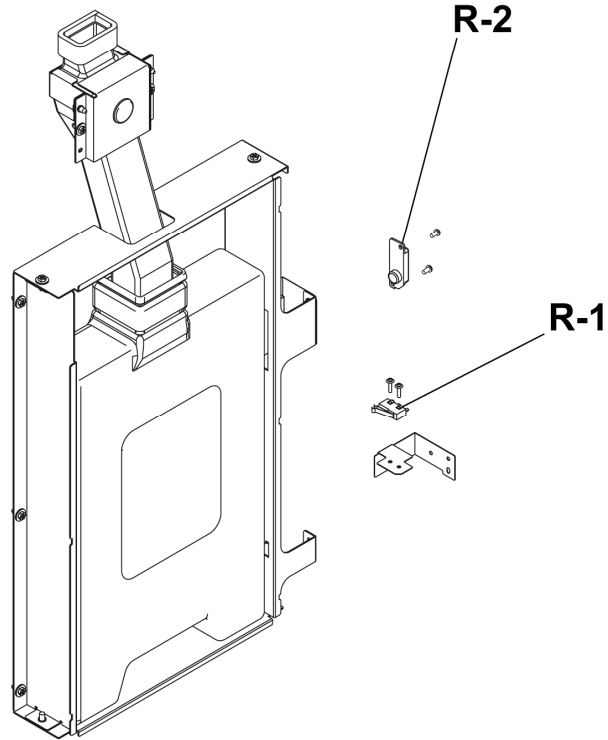


Recommended parts list (COVER-UNIT)

Number	Part Number	Part Name	BQ	MOQ	R/P	S/O	Note
R-1	U001209611xx	PUSH LATCH MNT	—	1	R		
	U00044109000	└ PUSH-LATCH	20				

BQ: Box quantity, MOQ: Minimum order quantity, R: Recommended part, P: Periodic replacement part, S: Selectable, O: Optional

4. WASTE TONER BOTTLE UNIT



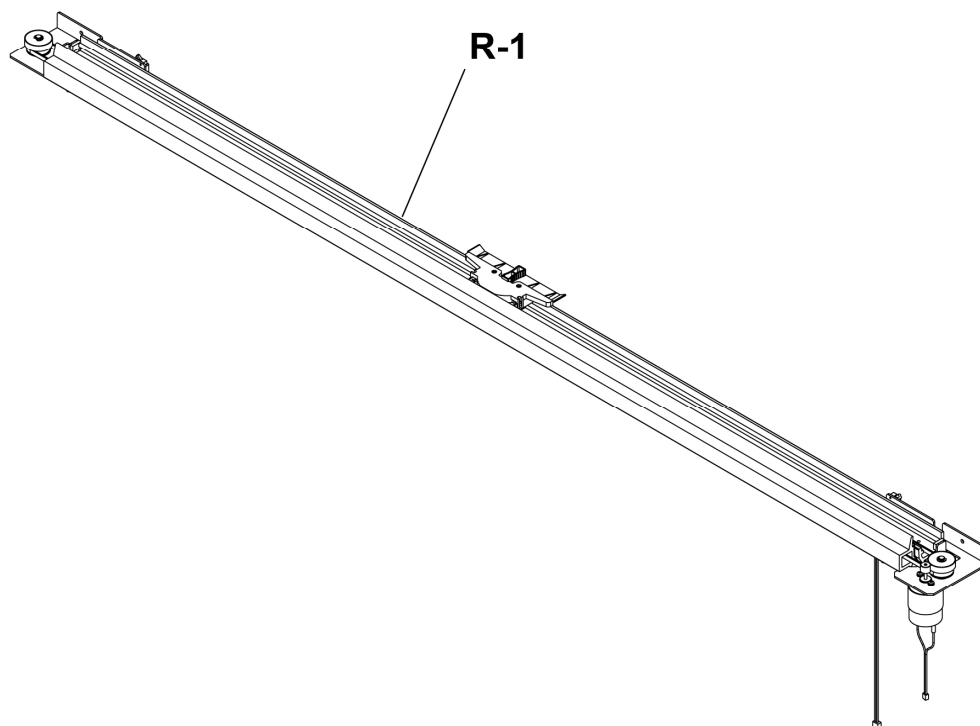
Recommended parts list (WASTE TONER BOTTLE UNIT)

Number	Part Number	Part Name	BQ	MOQ	R/P	S/O	Note
R-1	U001207438xx	MICRO SWITCH ,04,05,06-1 MNT	—	1	R		
	U000885014xx	└ MICRO-SWITCH-(MS06-1) ASSY	5				
R-2	U001207574xx	WASTE TONER SENSOR,TS02 MNT	—	1	R		
	U000439953xx	└ TS02 ASSY	2				

BQ: Box quantity, MOQ: Minimum order quantity, R: Recommended part, P: Periodic replacement part, S: Selectable, O: Optional



## 5. CUTTER-UNIT

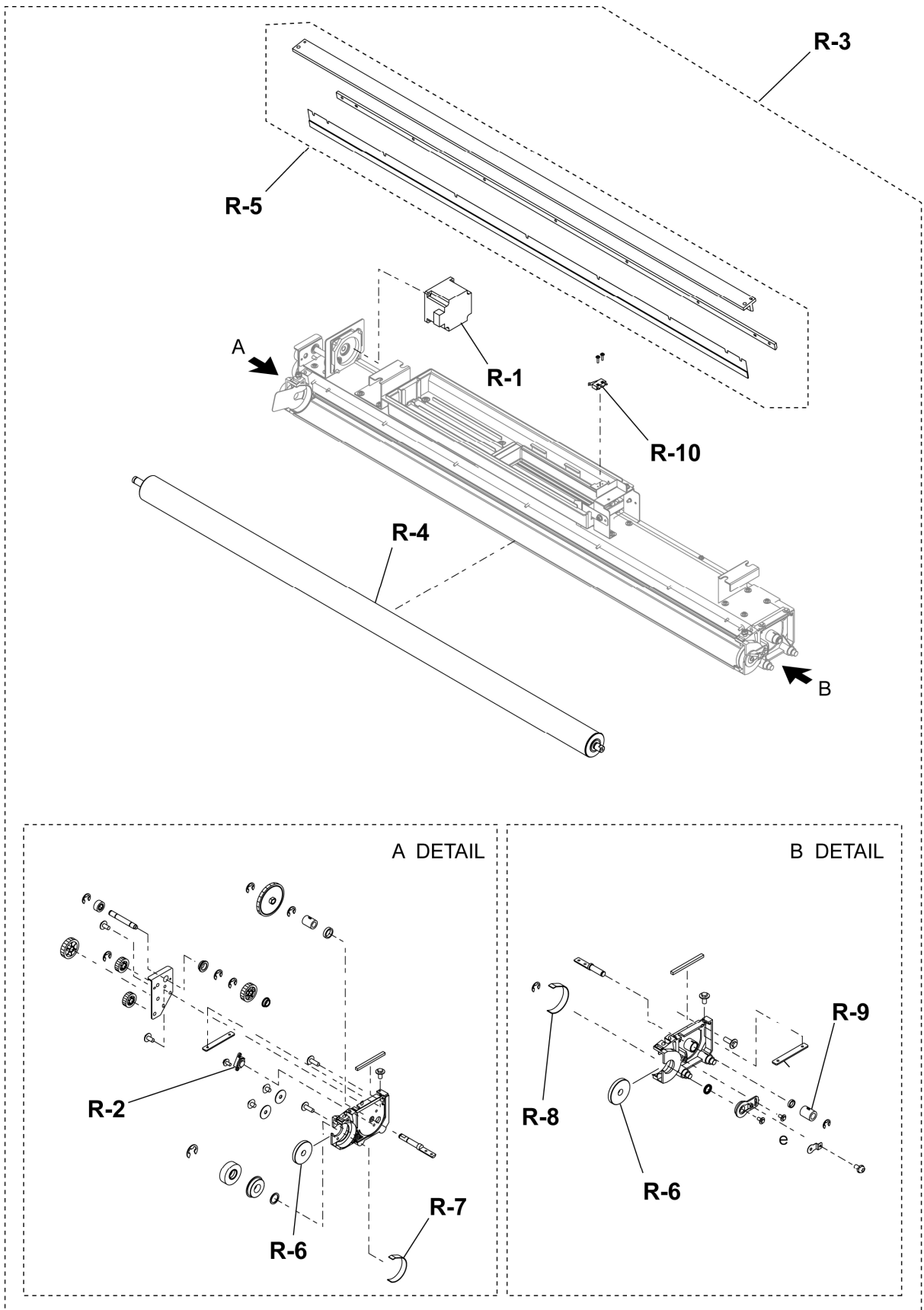


Recommended parts list (CUTTER-UNIT)

Number	Part Number	Part Name	BQ	MOQ	R/P	S/O	Note
R-1	U001209093xx	CUTTER UNIT AUTO MNT	—	1	R		
	U001189585xx	└ CUTTER-UNIT (AUTO)	1				

BQ: Box quantity, MOQ: Minimum order quantity, R: Recommended part, P: Periodic replacement part, S: Selectable, O: Optional

### 6. DEVELOPER UNIT

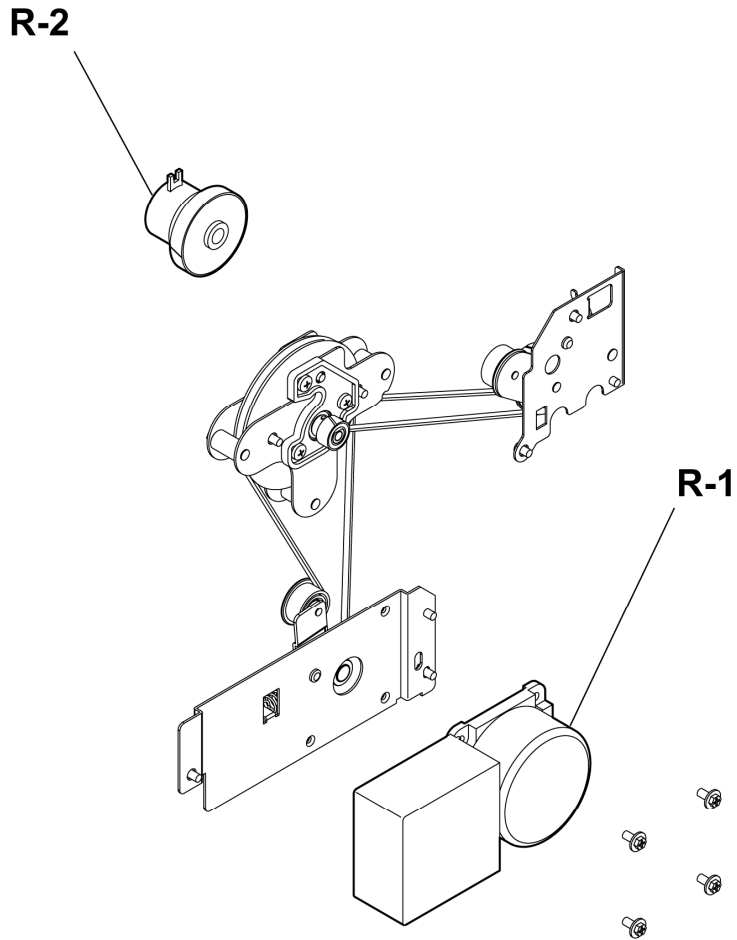


Recommended parts list (DEVELOPER UNIT)

Number	Part Number	Part Name	BQ	MOQ	R/P	S/O	Note
R-1	U001207383xx	MOTOR GM MNT	—	1	R		
	U000882358xx	└ MOTOR(GM)	1				
R-2	U001207552xx	TONER SENSOR,TS01 MNT	—	1	R		
	U000439942xx	└ TS01 ASSY	2				
R-3	U001208722xx	DEVELOPER UNIT MNT	—	1	R		
	U001194963xx	└ DEVELOPER UNIT	1				
R-4	U001208744xx	MAGNET ROLL MNT	—	1	R		
	U001080426xx	└ MAGNET ROLL	1				
R-5	U001086941xx	BLADE-S-DV MNT	—	1	R		
	U000882527xx	└ BLADE-S-DV-ASSY	1				
R-6	U001208788xx	SPACER DEV MNT	—	1	R		
	U000588341xx	└ SPACER(DEV)	5				
R-7	U001208801xx	SEAL MG L MNT	—	1	R		
	U000882573xx	└ SEAL(MG-L)	5				
R-8	U001208823xx	SEAL MG R MNT	—	1	R		
	U000882641xx	└ SEAL(MG-R)	5				
R-9	U001208845xx	BEARING AGITATOR MNT	—	1	R		
	U000446962xx	└ BEARING(AGITATOR)	50				
R-10	U001207438xx	MICRO SWITCH, 04, 05, 06-1 MNT	—	1	R		
	U000885014xx	└ MICRO-SWITCH-(MS06-1) ASSY	5				

BQ: Box quantity, MOQ: Minimum order quantity, R: Recommended part, P: Periodic replacement part, S: Selectable, O: Optional

**7. DRIVE UNIT**

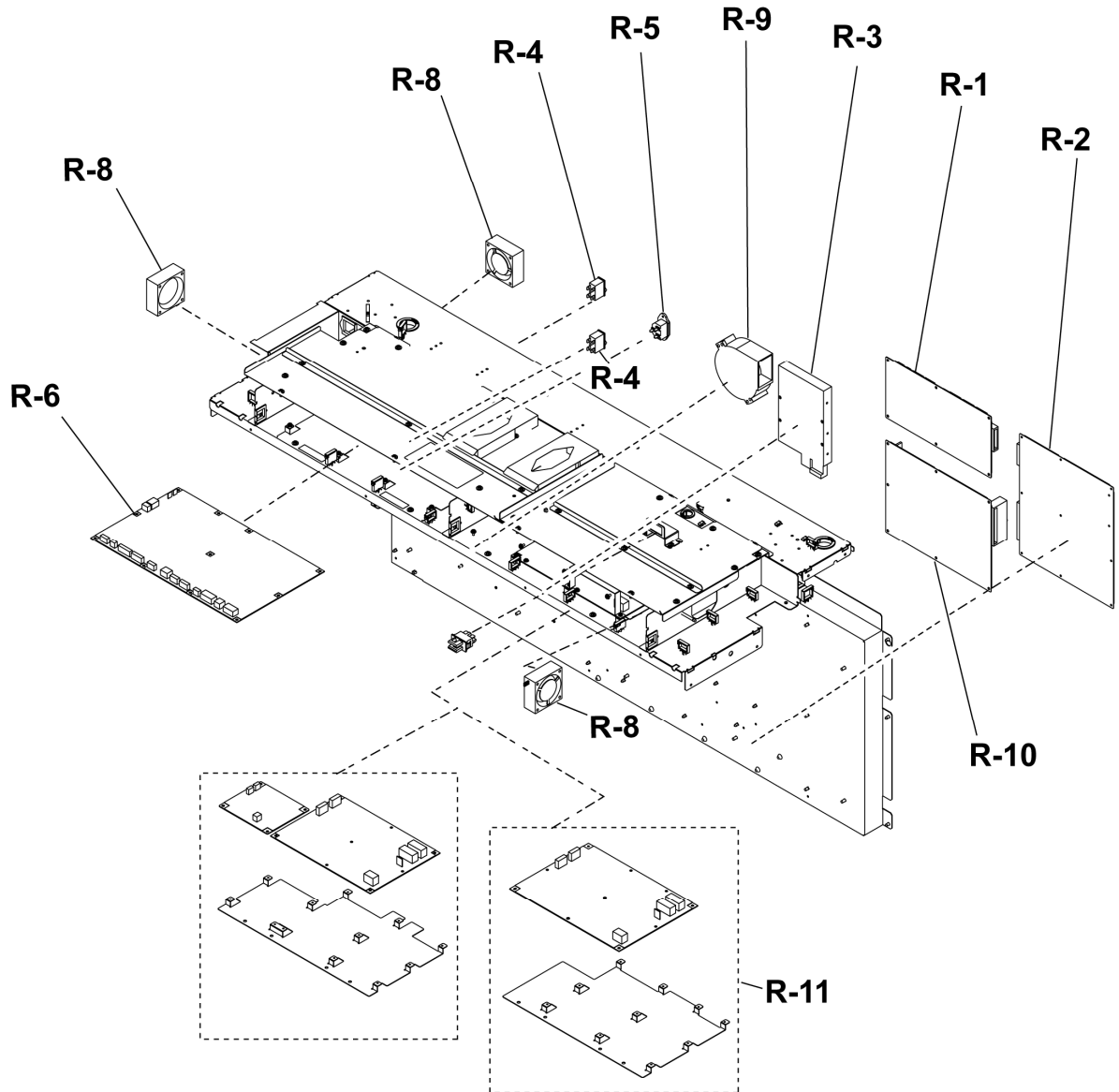


Recommended parts list (DRIVE-UNIT)

Number	Part Number	Part Name	BQ	MOQ	R/P	S/O	Note
R-1	U001207361xx	MOTOR PM01 MNT	—	1	R		
	U000881458xx	└ MOTOR(PM01)	1				
R-2	U001207416xx	CLUTCH 4.4 MNT	—	1	R		
	U000918268xx	└ CLUTCH(REGIST/INSERTION)4.4	1				

BQ: Box quantity, MOQ: Minimum order quantity, R: Recommended part, P: Periodic replacement part, S: Selectable, O: Optional

8. ELECTRICAL UNIT



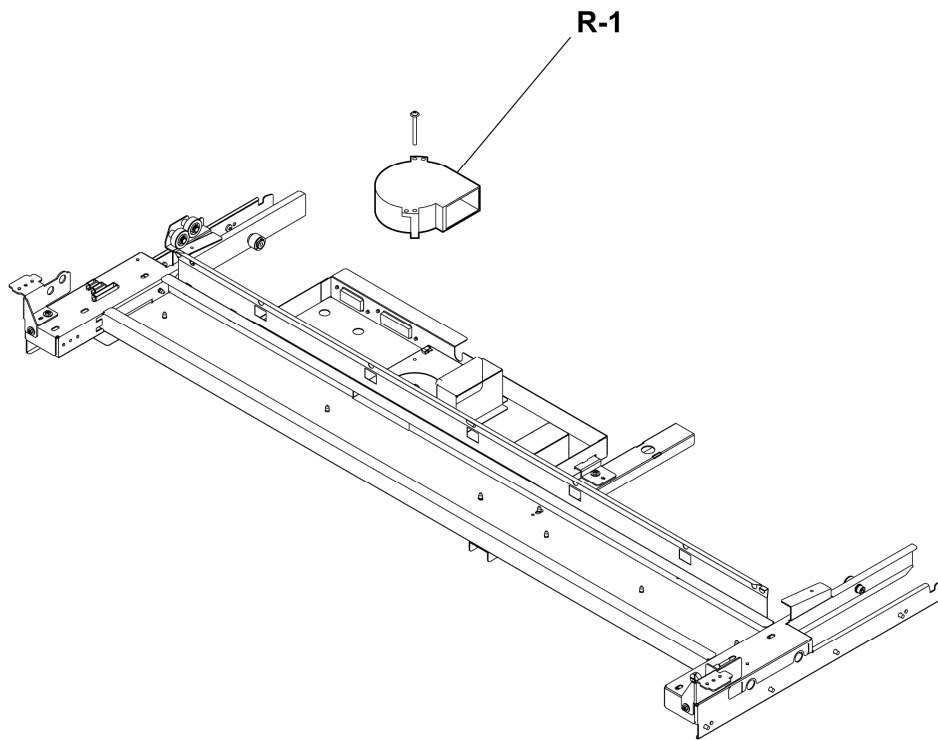
## ELECTRICAL UNIT

Recommended parts list (ELECTRICAL UNIT)

Number	Part Number	Part Name	BQ	MOQ	R/P	S/O	Note
R-1	U001211804xx	PCB-ASSY-AAC1 MNT	—	1	R		
R-2	U001211850xx	PCB-ASSY-ARC1 MNT	—	1	R		
R-3	U001211894xx	HDD MNT	—	1	R		
R-4	U001209330xx	MAIN SWITCH 120V 200V MNT	—	1	R		
	U000596338xx	└ SMALL POWER SWITCH	3				
R-5	U001209352xx	AC INLET MNT	—	1	R		For 200 V AC only
	U000884913xx	└ AC INLET	1				
R-6	U001211826xx	PSU-T2 MNT	—	1	R		
R-8	U001209317xx	BL05 ASSY MNT	—	1	R		
	U001187100xx	└ T2-FAN-BL05	1				
R-9	U001210770xx	BLOWER FAN ASSY MNT	—	1	R		
	U000966431xx	└ BLOWER FAN	1				
R-10	U001211905xx	PCB-ASSY-ASC1 MNT	—	1	R		
R-11	U001236532xx	HV(4CH)-PSU-T2 MNT	—	1	R		

BQ: Box quantity, MOQ: Minimum order quantity, R: Recommended part, P: Periodic replacement part, S: Selectable, O: Optional

9. FUSER BASE UNIT



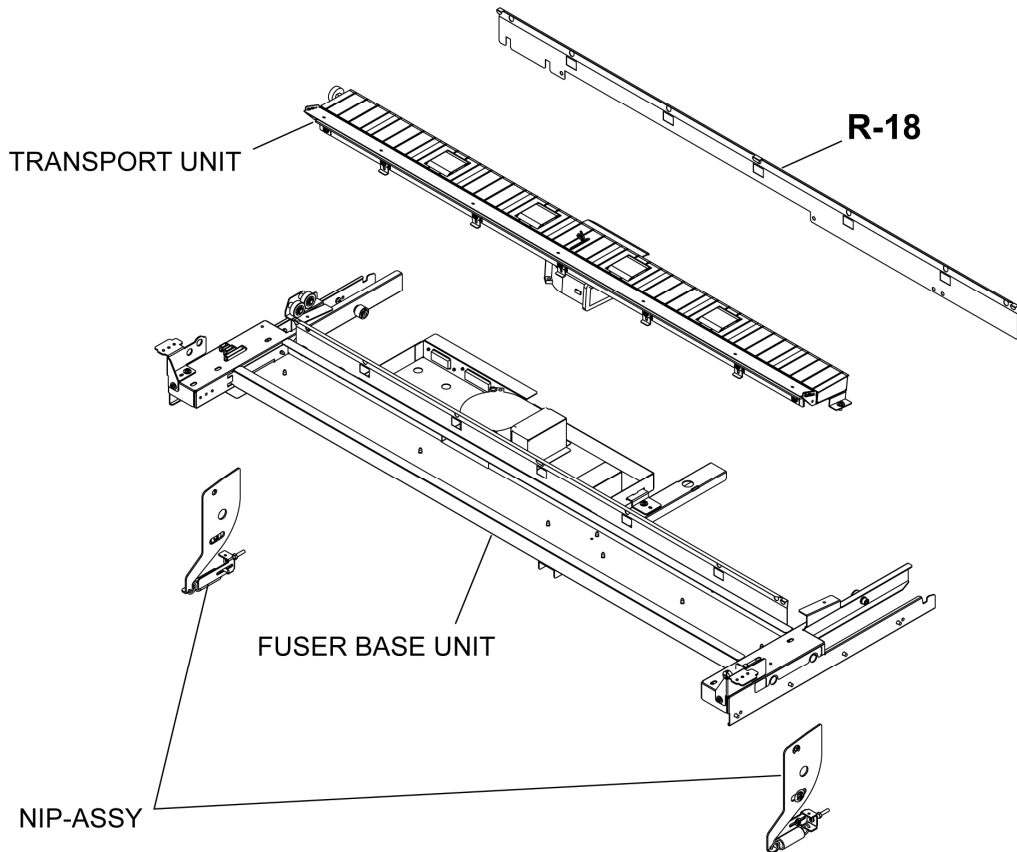
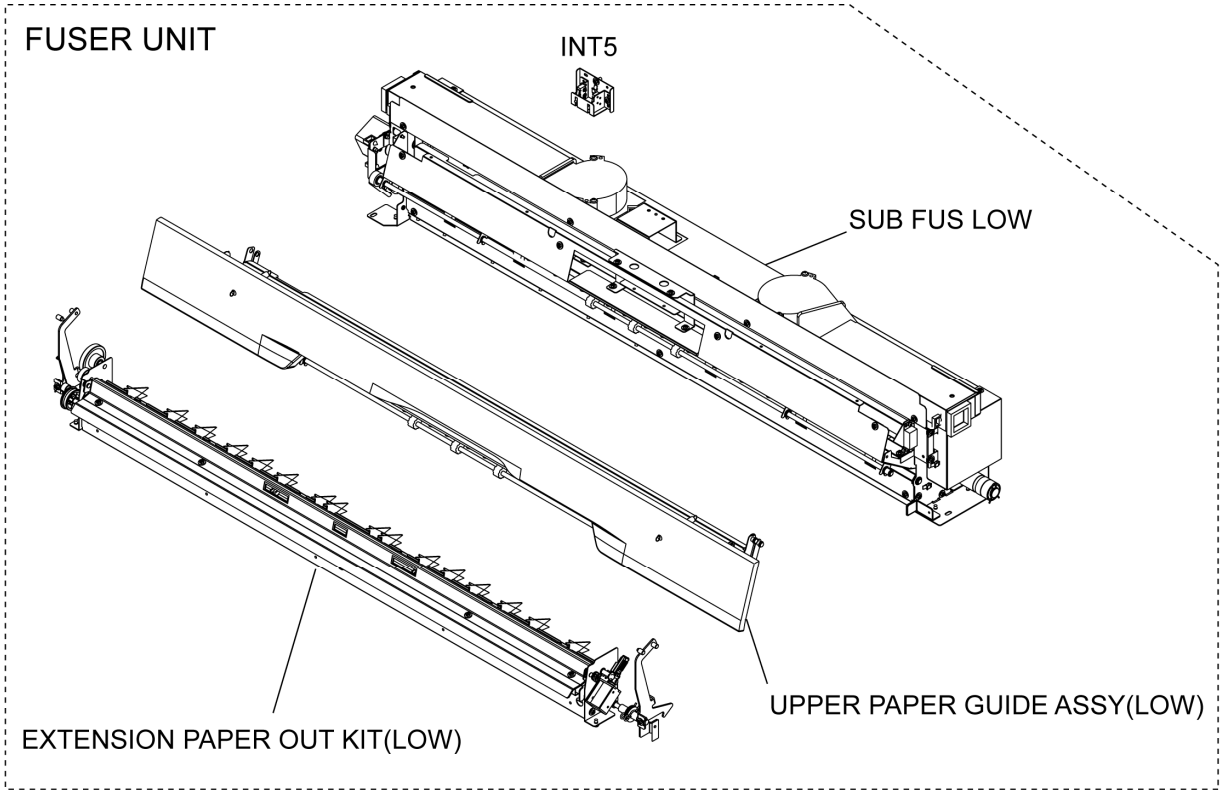
Recommended parts list (FUSER BASE UNIT)

Number	Part Number	Part Name	BQ	MOQ	R/P	S/O	Note
R-1	U001207618xx	BLOWER FAN,BL01,02,06 MNT	—	1	R		
	U001211387xx	└ BL01 ASSY	1				

BQ: Box quantity, MOQ: Minimum order quantity, R: Recommended part, P: Periodic replacement part, S: Selectable, O: Optional

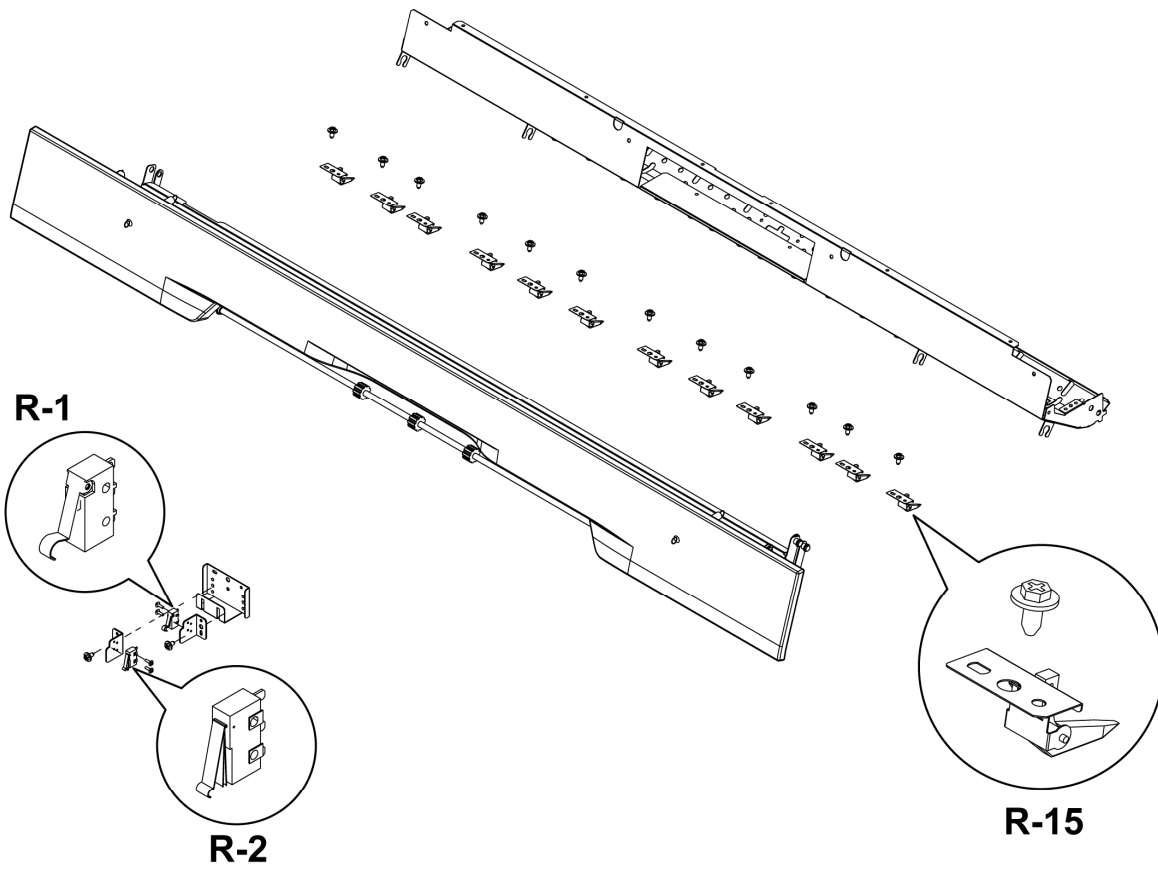
# 10. FUSER UNIT

## (1) FUSER UNIT AND PERIPHERAL UNITS

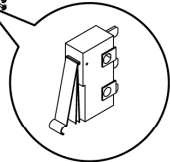
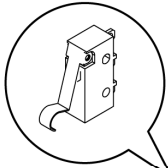




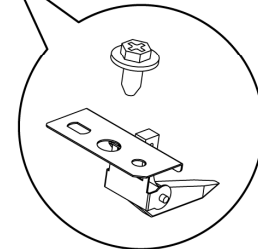
(2) ROLLER(BACK UP) ASSY, ROLLER(HEAT)-ASSY



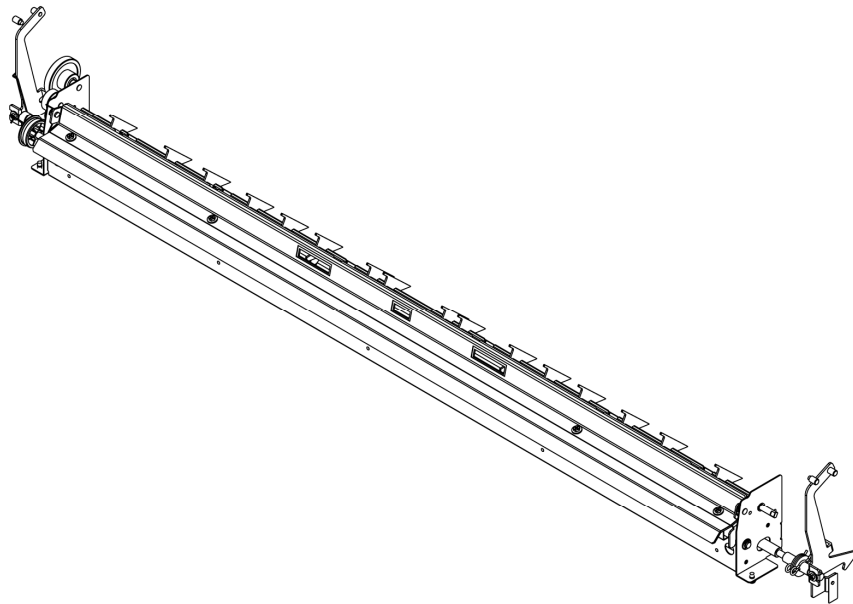
R-1



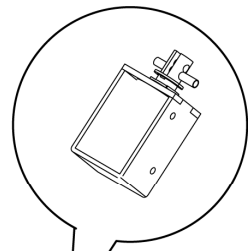
R-2



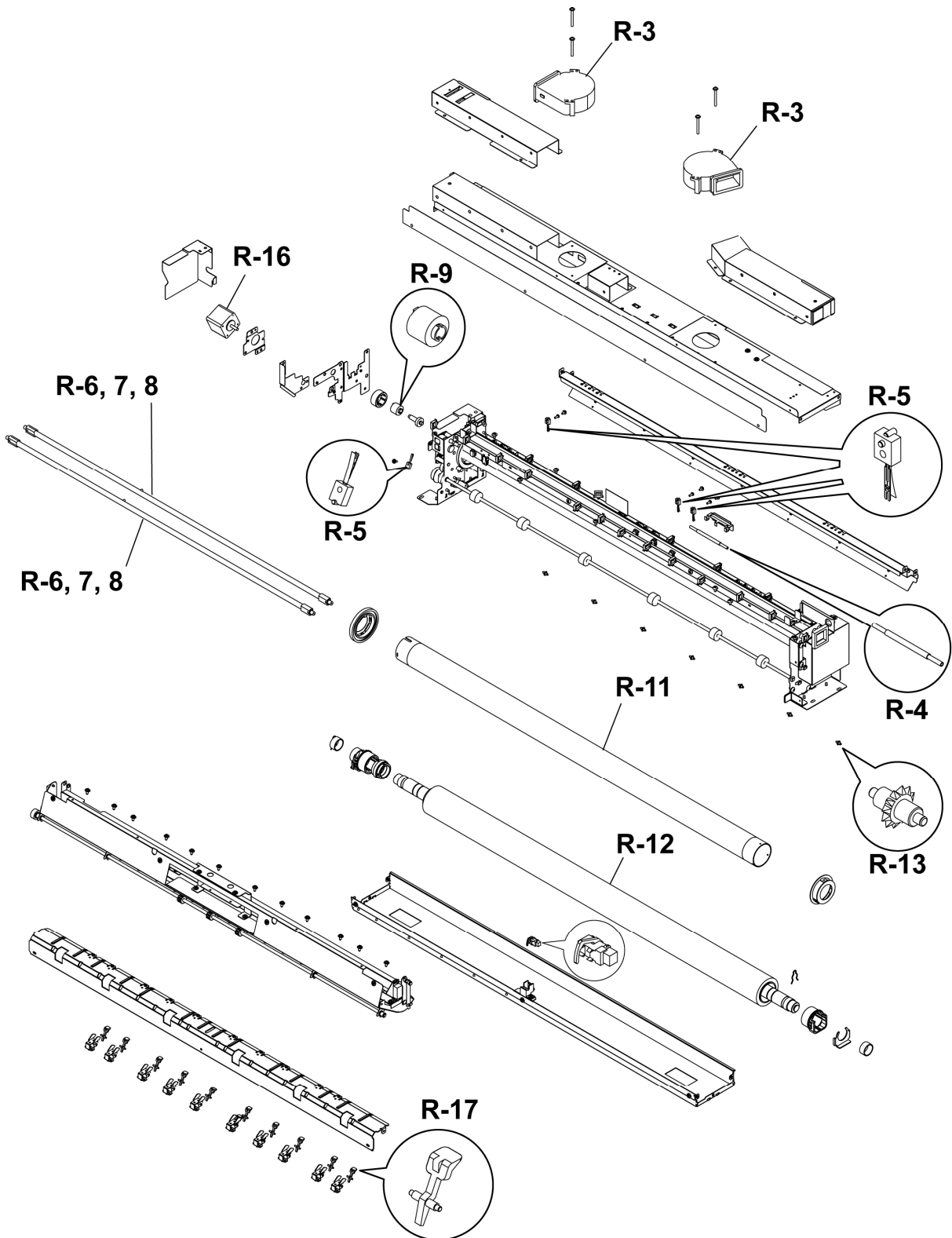
R-15



R-14



(3) SIDE-FRAME AND PERIPHERAL PARTS

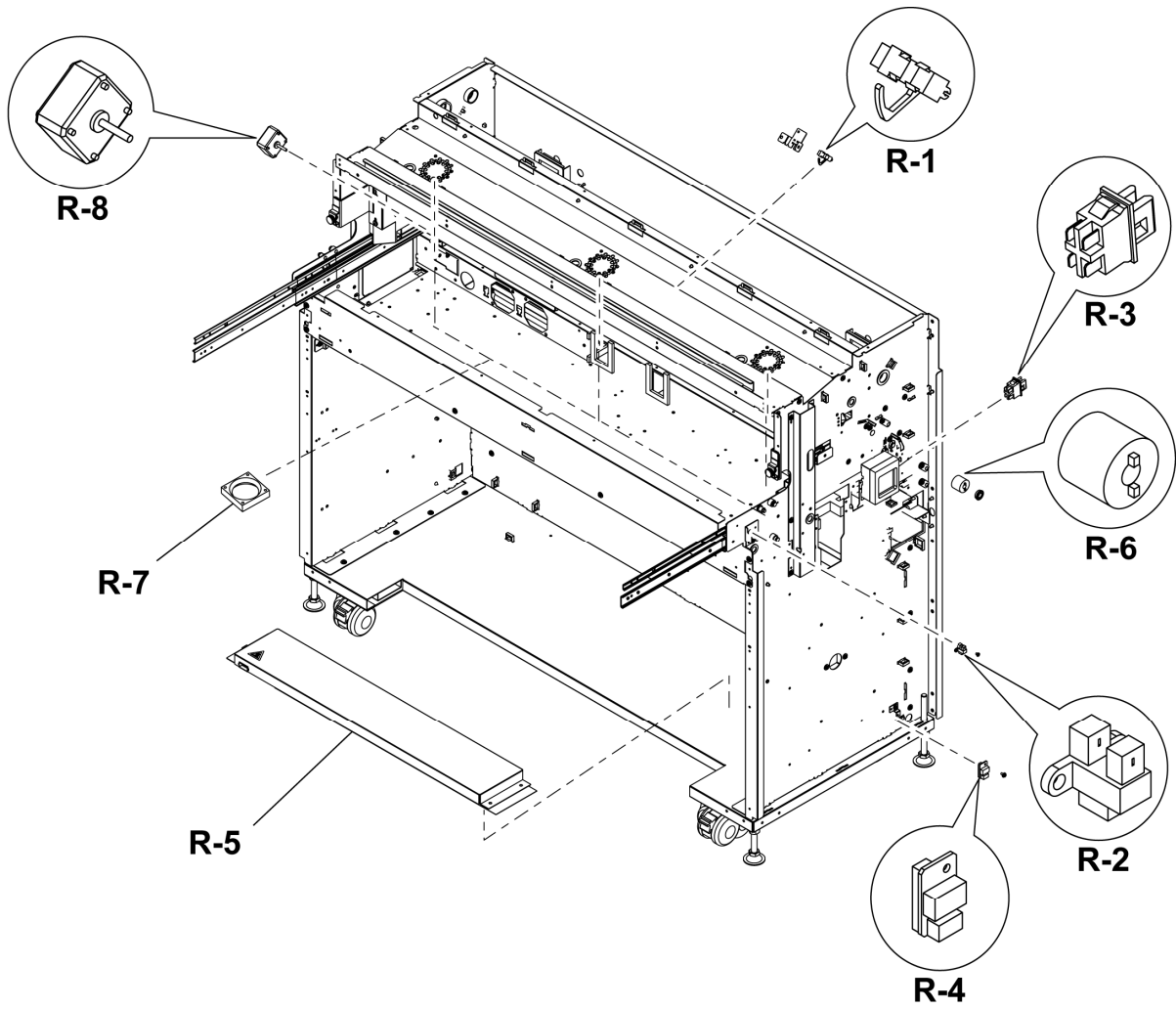


Recommended parts list (FUSER UNIT)

Number	Part Number	Part Name	BQ	MOQ	R/P	S/O	Note
R-1	U001207438xx	MICRO SWITCH, 04,05,06-1 MNT	—	1	R		
	U000885014xx	└ MICRO-SWITCH-(MS06-1) ASSY	5				
R-2	U001207473xx	MICRO SWITCH, 06-2 MNT	—	1	R		
	U000878602xx	└ MICRO-SWITCH-(MS06-2) ASSY	5				
R-3	U001207618xx	BLOWER FAN,BL01,02,06 MNT	—	1	R		
	U001211387xx	└ BL01 ASSY	1				
R-4	U001207653xx	FUSE ASSY MNT	—	1	R		
	U001192331xx	└ FUSE-ASSY	10				
R-5	U001207675xx	THERMISTOR,TH01,02,04,05 MNT	—	1	R		
	U001183590xx	└ FS-SENSOR	5				
R-6	U001228634xx	HALOGEN LAMP MAIN 100V-600W MNT	—	1	R		For Japan
	U001192904xx	└ HALOGEN LAMP-MAIN(100V-600W)	1				
R-6	U001228656xx	HALOGEN LAMP SUB 100V-600W MNT	—	1	R		For Japan
	U001192915xx	└ HALOGEN LAMP-SUB(100V-600W)	1				
R-7	U001228678xx	HALOGEN LAMP MAIN 120V-600W MNT	—	1	R		For North America
	U001192926xx	└ HALOGEN LAMP-MAIN(120V-600W)	1				
R-7	U001228691xx	HALOGEN LAMP SUB 120V-600W MNT	—	1	R		For North America
	U001192937xx	└ HALOGEN LAMP-SUB(120V-600W)	1				
R-8	U001228713xx	HALOGEN LAMP MAIN 230V-600W MNT	—	1	R		For Europe, South America, and China
	U001192948xx	└ HALOGEN LAMP-MAIN(230V-600W)	1				
R-8	U001228735xx	HALOGEN LAMP SUB 230V-600W MNT	—	1	R		For Europe, South America, and China
	U001192950xx	└ HALOGEN LAMP-SUB(230V-600W)	1				
R-9	U001207877xx	TORQUE LIMITER MNT	—	1	R		
	U001227150xx	└ TORQUE LIMITER (PBT)	2				
R-10	U001228770xx	FUSER UNIT,WITHOUT HEATER,MNT	—	1	R		LP-1030/LP-1030-MF
	U001218194xx	└ FUSER UNIT LOW	(1)				
	U001194772xx	└ T2-CBL-FUSER 13	1				
	U001194805xx	└ T2-CBL-FUSER 23	1				
R-11	U001208924xx	ROLLER HEAT MNT	—	1	R		LP-1030/LP-1030-MF
	U001192228xx	└ ROLLER(HEAT)	1				
R-12	U001208946xx	ROLLER BACK UP ST MNT	—	1	R		
	U001198484xx	└ ROLLER(BACK UP-ST)	1				
	U001225822xx	└ ROLLER(BACKUP-k)	1				
R-13	U001208981xx	SPUR FUSER MNT	—	1	R		
	U001038262xx	└ SPUR(FUSER)	10				
R-14	U001209914xx	SL01 MNT	—	1	R		
	U001206123xx	└ SL01KIT	3				
R-15	U001209216xx	PEELER FU OUT MNT	—	1	R		
	U001206101xx	└ PEELER(FU-OUT)	2				
R-16	U001209756xx	MOTOR HM MNT	—	1	R		
	U001191857xx	└ MOTOR (HM)	5				
R-17	U001066757xx	Separator (BUR) MNT	—	1	R		
	U001066768xx	└ Separator (BUR) Assy	1				
R-18	U001220477xx	SHEET CARBON BR MNT	—	1	R		
	U001219961xx	└ SHEET-CARBON-BR-ASSY	1				

BQ: Box quantity, MOQ: Minimum order quantity, R: Recommended part, P: Periodic replacement part, S: Selectable, O: Optional

11. MAIN FRAME UNIT

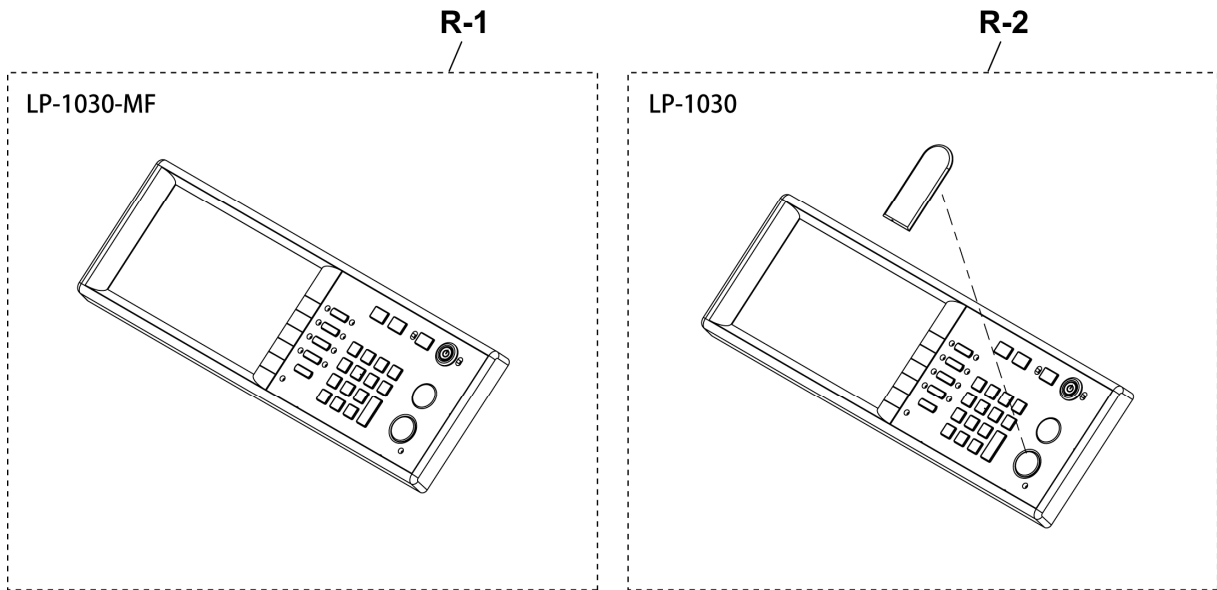


Recommended parts list (MAIN FRAME UNIT)

Number	Part Number	Part Name	BQ	MOQ	R/P	S/O	Note
R-1	U001207495xx	PHOTOSENSOR,04,05,07 MNT	—	1	R		
	U000439852xx	└ PHOTOSENSOR 1	10				
R-2	U001209892xx	PHOTO INTERRUPTER,PS16 MNT	—	1	R		
	U001193466xx	└ PS16	2				
R-3	U001207596xx	INTERLOCK SWITCH,INT3,MS18 MNT	—	1	R		
	U001200802xx	└ INTERLOCK SWITCH	5				
R-4	U001207710xx	TEMPERATURE HUMIDITY SENSOR MNT	—	1	R		
	U001196190xx	└ HYGROTHERMAL SENSOR	1				
R-5	U001207732xx	HEATER ROLL PAPER MNT	—	1	R		
	U001190968xx	└ ROLL PAPER HEATER UNIT	(1)				
R-6	U001209238xx	TORQUE LIMITTER REGIST MNT	—	1	R		
	U001214616xx	└ TORQUE LIMITTER ( REGIST ) 0.6	2				
R-7	U001209295xx	BL03 ASSY MNT	—	1	R		
	U001187098xx	└ T2-FAN-BL03	1				
R-8	U001209778xx	MOTOR TM ASSY MNT	—	1	R		
	U000882707xx	└ MOTOR (TM) ASSY	(1)				

BQ: Box quantity, MOQ: Minimum order quantity, R: Recommended part, P: Periodic replacement part, S: Selectable, O: Optional

12. PANEL UNIT

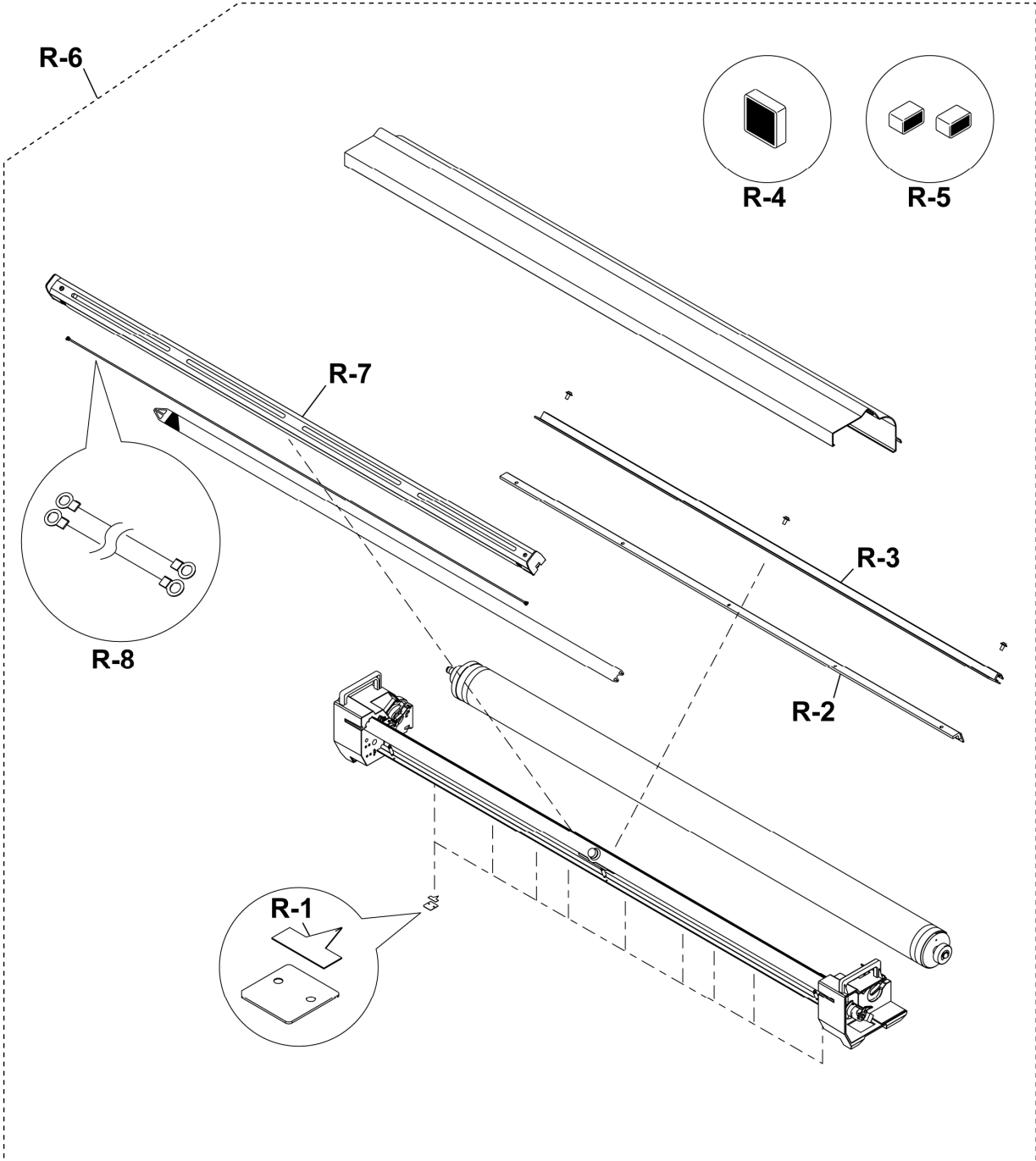


Recommended parts list (PANEL UNIT)

Number	Part Number	Part Name	BQ	MOQ	R/P	S/O	Note
R-1	U001209194xx	PANEL ASSY MNT	—	1	R		
	U001187190xx	└ PANEL-ASSY	(1)				
R-2	U001239041xx	PANEL ASSY PL MNT	—	1	R		
	U001187190xx	└ PANEL ASSY	(1)				
	U001215663xx	└ KEY-COVER-ASSY	(1)				

BQ: Box quantity, MOQ: Minimum order quantity, R: Recommended part, P: Periodic replacement part, S: Selectable, O: Optional

13. PROCESS CARTRIDGE UNIT



## PROCESS CARTRIDGE UNIT

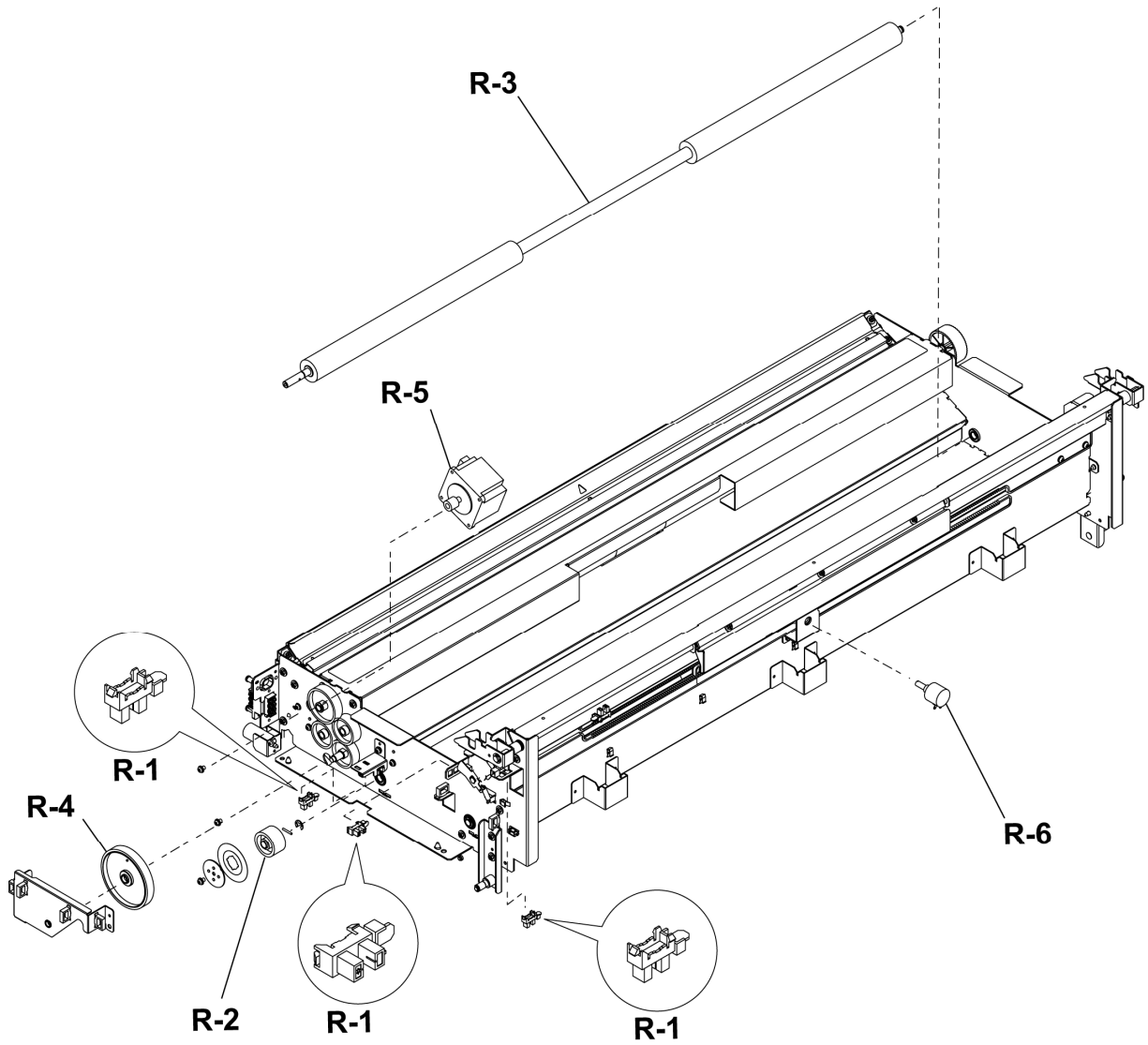
Recommended parts list (PROCESS CARTRIDGE UNIT)

Number	Part Number	Part Name	BQ	MOQ	R/P	S/O	Note
R-1	U001209003xx	DRUM FINGER MNT	—	1	R		
	U001221715xx	└ PLATE(CLEANER-DRUM)	3				
	U001225743xx	└ SHEET(CLEANER DRUM)-t0.25	3				
R-2	U000422048xx	BLADE(CLEANER)MNT	1		R		
R-3	U001209172xx	ERASER ASSY MNT	—	1	R		
	U001192702xx	└ ERASER ASSY	1				
R-4	U001209374xx	FILTER T2 MNT	—	1	R		
	U001196335xx	└ FILTER-T2	2				
R-5	U001209396xx	FILTER FUS MNT	—	1	R		
	U001192871xx	└ FILTER (FUS)	3				
R-6	U001192353xx	PROCESS CARTRIDGE UNIT	(1)	1	R		
R-7	U001209431xx	SCOROTRON CHAGER UNIT	—	1	R		
	U001193804xx	└ CHARGE - SCOROTRON - ASSY	(1)				
R-8	U000925514xx	WIRE(CHARGER)MNT	1	5	R		

BQ: Box quantity, MOQ: Minimum order quantity, R: Recommended part, P: Periodic replacement part, S: Selectable, O: Optional



14. ROLL FEED UNIT



## ROLL FEED UNIT

Recommended parts list (ROLL FEED UNIT)

Number	Part Number	Part Name	BQ	MOQ	R/P	S/O	Note
R-1	U001207530xx	PHOTOINTERRUPTER, PS11~14, 21~23, 51~54 MNT	—	1	R		
	U000446141xx	PHOTOINTERRUPTER	20				
R-2	U001209058xx	GEAR LIMITTER MNT	—	1	R		
	U000441955xx	GEAR(LIMITER)	1				
R-3	U001228792xx	ROLLER REWIND LOW MNT	—	1	R		
	U001218576xx	ROLLER (REWIND) LOW	1				
R-4	U001209115xx	GEAR ONEWAY MNT	—	1	R		
	U000441944xx	GEAR(ONEWAY)	5				
R-5	U001209510xx	MOTOR FM MNT	—	1	R		
	U001187908xx	MOTOR(FM)	1				
R-6	U001217171xx	PTM ASSY MNT	—	1	R		
	U001194941xx	PTM-ASSY	1				

BQ: Box quantity, MOQ: Minimum order quantity, R: Recommended part, P: Periodic replacement part, S: Selectable, O: Optional



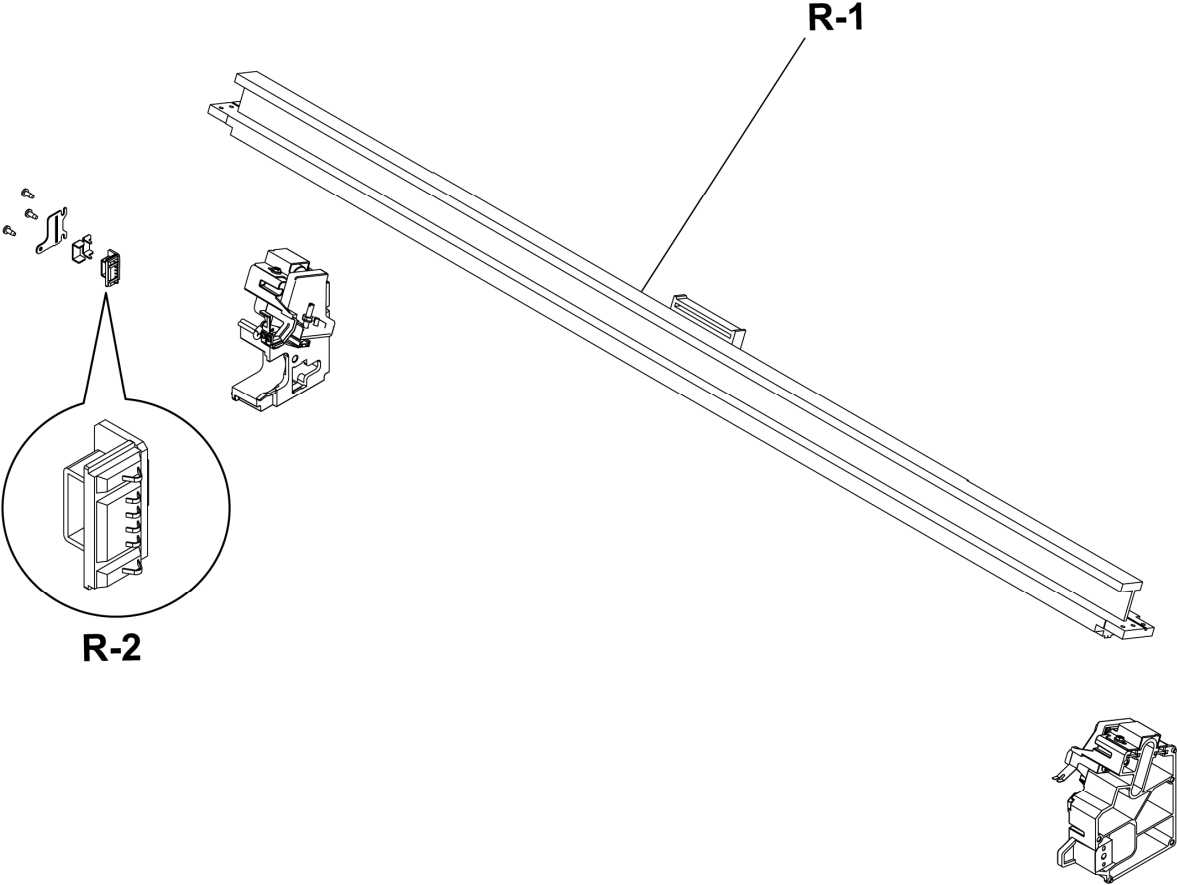
## SCANNER UNIT

Recommended parts list (SCANNER UNIT)

Number	Part Number	Part Name	BQ	MOQ	R/P	S/O	Note
R-1	U001209453xx	REFLECTIVE PHOTOSENSOR MNT	—	1	R		
	U001195626xx	└ PHOTOINTERRUPTER	3				
R-2	U001210825xx	PHOTOINTERRUPTER MNT	—	1	R		
	U000446141xx	└ PHOTOINTERRUPTER	20				
R-3	U001209475xx	MOTOR SC MNT	—	1	R		
	U001189787xx	└ MOTOR-SC	1				
R-4	U001209497xx	CIS UNIT MNT	—	1	R		
	U001190046xx	└ CIS-UNIT	(1)				
	U001223054xx	└ STOPPER-GLASS-CISUNIT	2				
	U000439143xx	└ HEXAGON PLUS SOCKET HEAD TP MACHINE SCREW	2				
	U000986062xx	└ ACETATE TAPE	2				
	U001225765xx	└ INSTRUCTION TO REMOVE GLASS FIXTURE FROM CIS UNIT MNT	1				
R-6	U001209712xx	ROLLER SC ASSY MNT	—	1	R		
	U001189901xx	└ ROLLER-SC-ASSY	(1)				
R-7	U001209734xx	GLASS DOCUMENT MNT	—	1	R		
	U001190147xx	└ GLASS-DOCUMENT	5				
R-8	U001211938xx	PCB-ASSY-AIC1 MNT		1	R		

BQ: Box quantity, MOQ: Minimum order quantity, R: Recommended part, P: Periodic replacement part, S: Selectable, O: Optional

16. SUB FRAME UNIT



## SUB FRAME UNIT

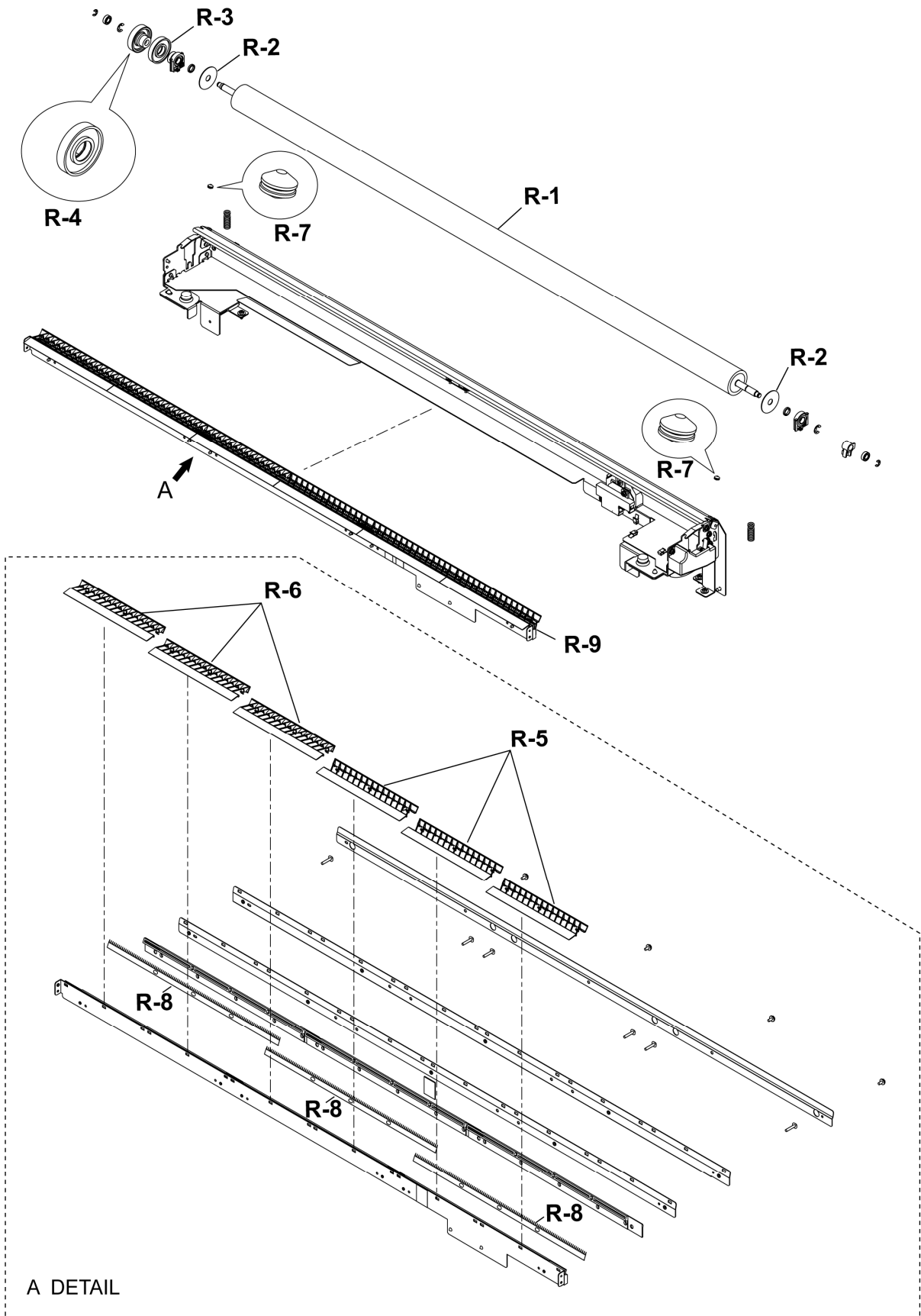
---

Recommended parts list (SUB FRAME UNIT)

Number	Part Number	Part Name	BQ	MOQ	R/P	S/O	Note
R-1	U001209150xx U001194197xx	LED HEAD MNT └ LED - HEAD - SLA20B-ASSY	— (1)	1	R		
R-2	U001211927xx	PCB-ASSY-ACN1 MNT		1	R		

BQ: Box quantity, MOQ: Minimum order quantity, R: Recommended part, P: Periodic replacement part, S: Selectable, O: Optional

17. TRANSFER ROLLER UNIT



## TRANSFER ROLLER UNIT

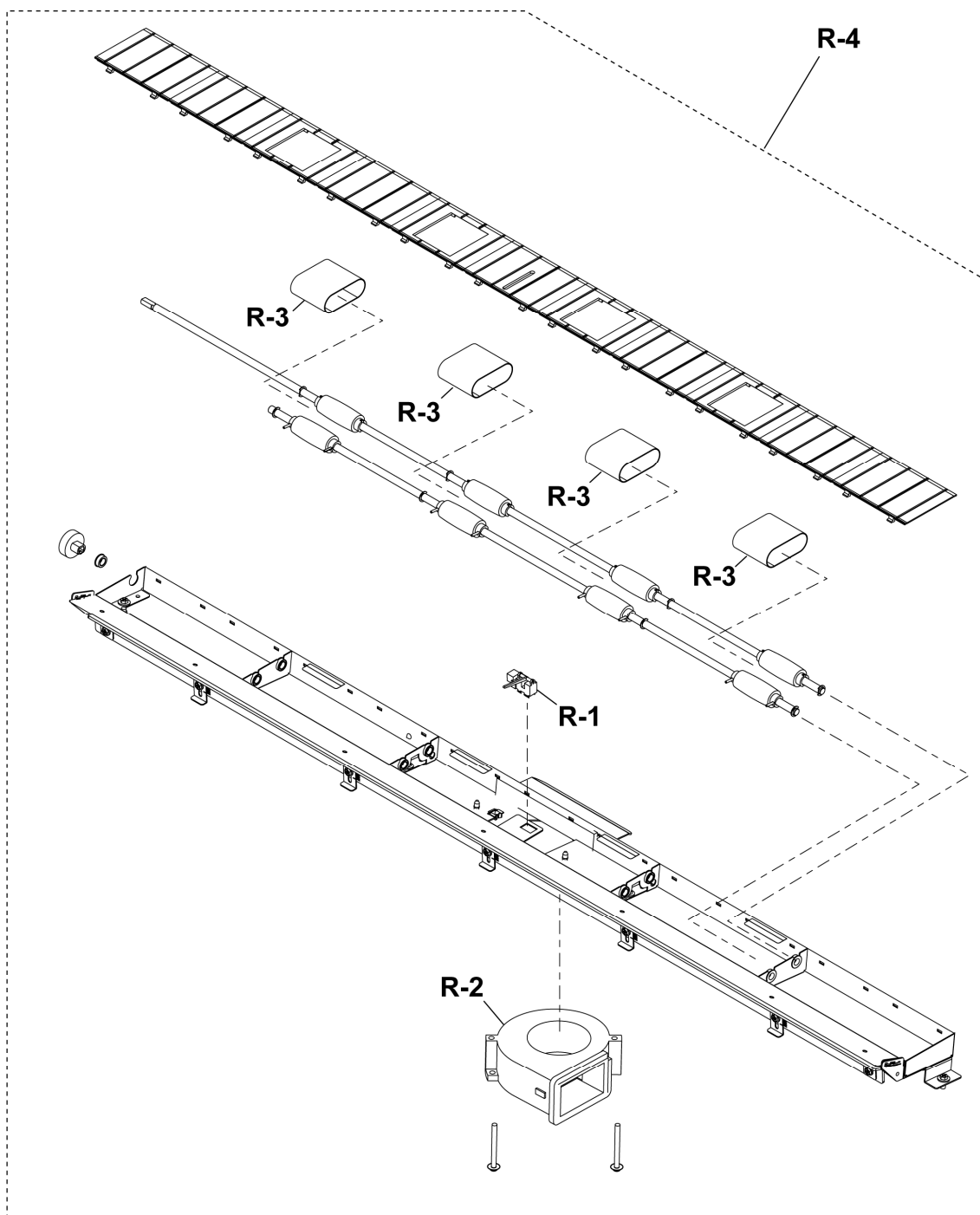
Recommended parts list (TRANSFER ROLLER UNIT)

Number	Part Number	Part Name	BQ	MOQ	R/P	S/O	Note
R-1	U001208586xx	ROLLER TRA 3565 MNT	—	1	R		
	U001189247xx	└ ROLLER (TRA-3565)	1				
R-2	U001208608xx	SHEET TRA MNT	—	1	R		
	U001189258xx	└ SHEET (TRA)	50				
R-3	U001208621xx	SPACER TRA MNT	—	1	R		
	U001230401xx	└ SPACER (TRA-3555)	5				
	U001230412xx	└ SPRING (TRA-2000)	5				
R-4	U001208643xx	GEAR TRA ONEWAY MNT	—	1	R		
	U001221265xx	└ GEAR (TRA-ONEWAY) CCW	10				
R-5	U001208687xx	GUIDE DC R MNT	—	1	R		
	U001189427xx	└ GUIDE(DC-R)	20				
R-6	U001208700xx	GUIDE DC L MNT	—	1	R		
	U001189438xx	└ GUIDE(DC-L)	20				
R-7	U001209633xx	SPACER TRANSFER GUIDE MNT	—	1	R		
	U000883304xx	└ SPACER ( TENSYAMAE 01 )	10				
R-8	U001208665xx	DETACH NEEDLE	—	1	R		
	U001206090xx	└ PLATE(NEEDLE)	2				
R-9	U001209137xx	ELECTRODE NEEDLE MNT	—	1	R		
	U001210601xx	└ ELECTRODE-NEEDLE-ASSY	1				

BQ: Box quantity, MOQ: Minimum order quantity, R: Recommended part, P: Periodic replacement part, S: Selectable, O: Optional



18. TRANSPORT UNIT



## TRANSPORT UNIT

---

Recommended parts list (TRANSPORT UNIT)

Number	Part Number	Part Name	BQ	MOQ	R/P	S/O	Note
R-1	U001207517xx	PHOTOSENSOR,06 MNT	—	1	R		
	U000439863xx	└ PHOTOSENSOR 2	10				
R-2	U001207618xx	BLOWER FAN,BL01,02,06 MNT	—	1	R		
	U001211387xx	└ BL01 ASSY	1				
R-3	U001208968xx	BELT TRANS MNT	—	1	R		
	U000879243xx	└ BELT(TRANS)	30				
R-4	U001209532xx	TRANSPORT UNIT MNT	—	1	R		
	U001200598xx	└ TRANSPORT UNIT	(1)				

BQ: Box quantity, MOQ: Minimum order quantity, R: Recommended part, P: Periodic replacement part, S: Selectable, O: Optional