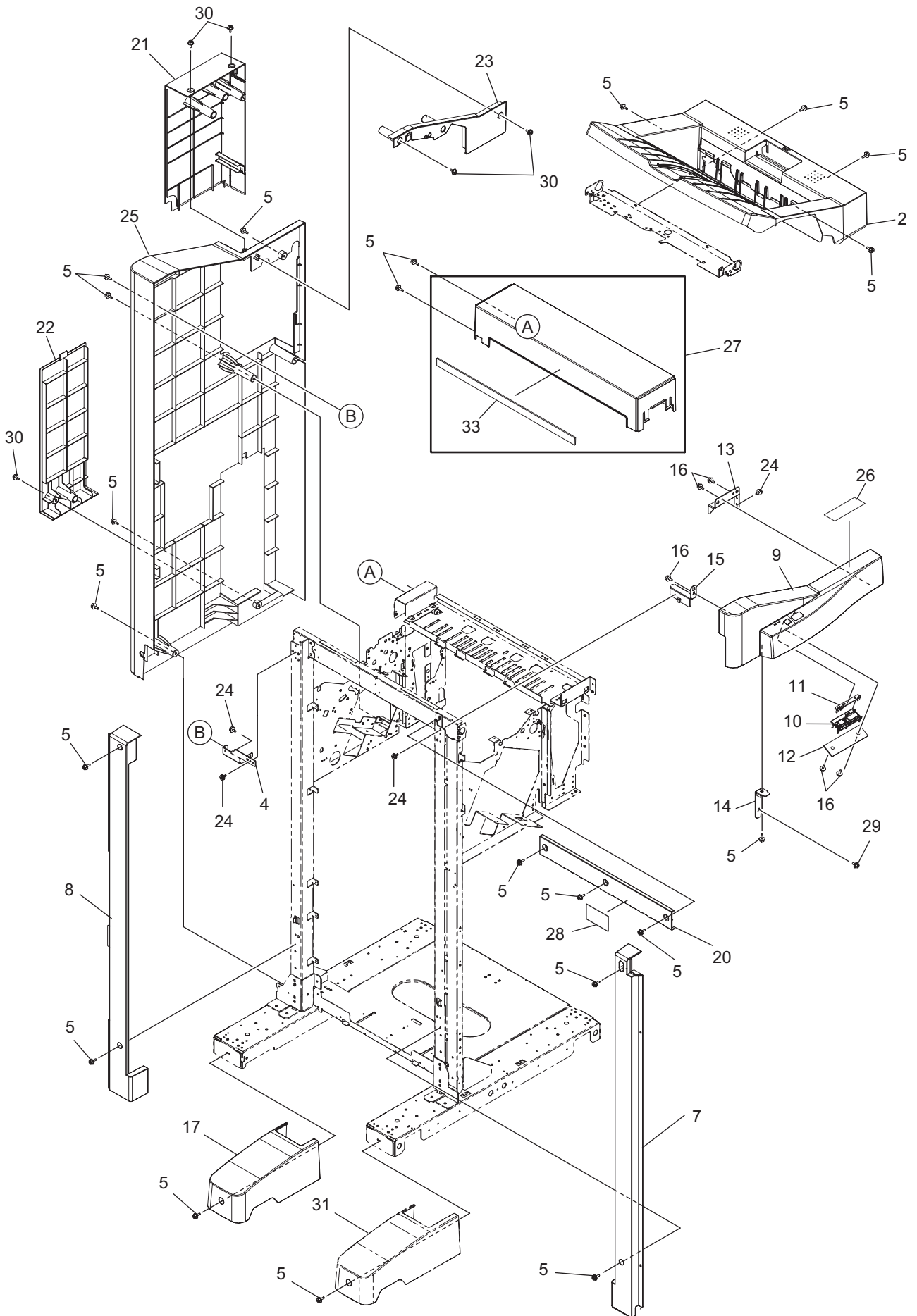


MJ-1108
Saddle Stitch Finisher
Illustrated Parts Manual
ES9465 / ES9475 MFP
060214A

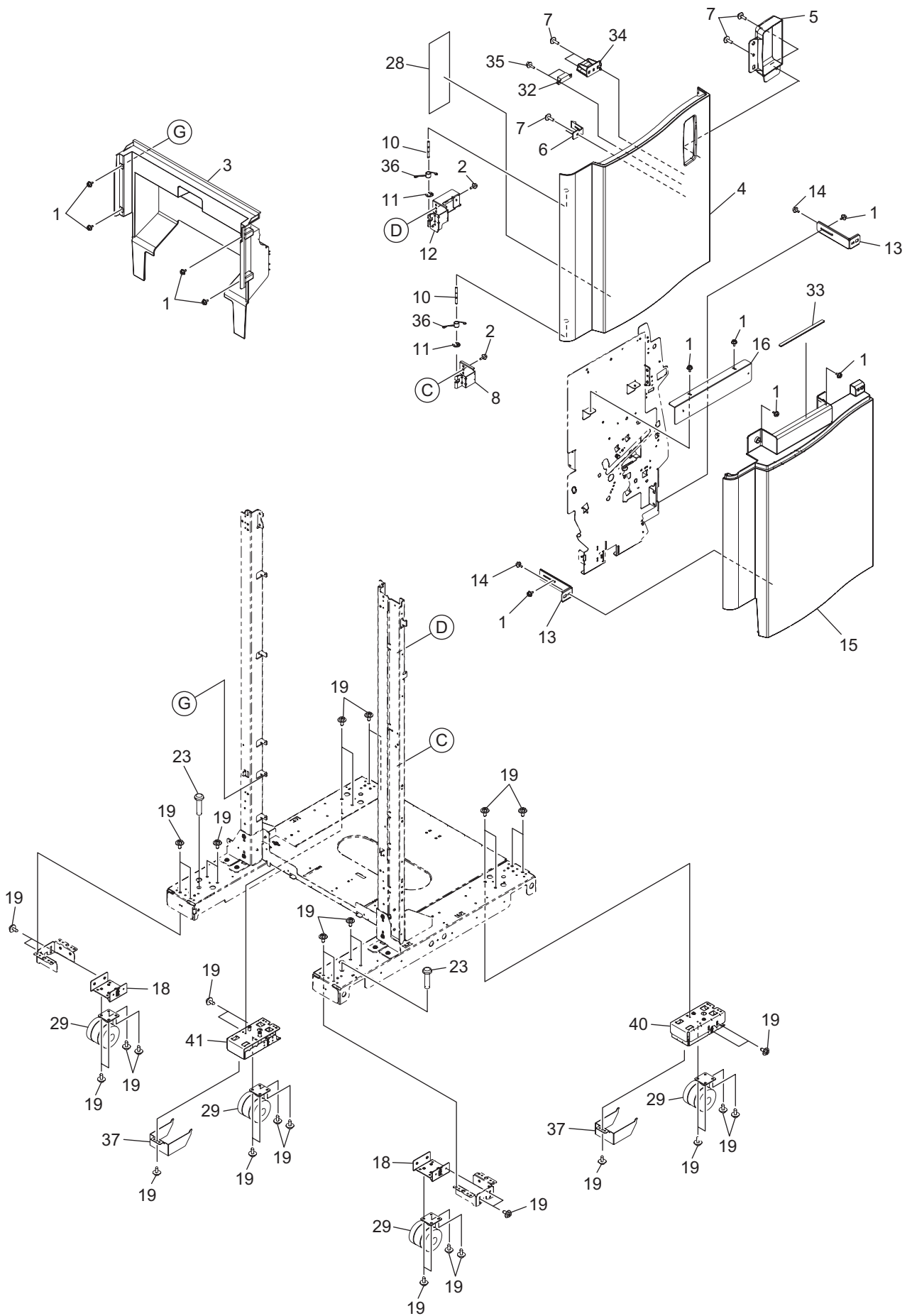
COVER-1-ASM



No.	Unit Name	Part Number	Description	Remarks	Reference
2	COVER-1-ASM		ASYB-TRAY-DBL-BU-C-VI-2		6LK02800000
4	COVER-1-ASM		STAY-CVR-RER-TOP-PIT		6LB40304000
5	COVER-1-ASM	45729639	S/TPS/FHEXM/R-3X8-ZU3		X0-02420000
7	COVER-1-ASM		COVER-RAIL-FRONT-PITA-T		6LB42119000
8	COVER-1-ASM		COVER-RAIL-REAR-PITA-T		6LB42120000
9	COVER-1-ASM		COV-FRONT-TOP-PITA-T		6LB42111000
10	COVER-1-ASM		KEY-TOP-STPL-L		6LB11226100
11	COVER-1-ASM		LED-TOP-2		6LB11251000
12	COVER-1-ASM		PWA-CPL-101		6LB12405000
13	COVER-1-ASM		BRKT-TOP-R-PIT		6LB42107000
14	COVER-1-ASM		BRKT-COV-TOP-L		6LB42101000
15	COVER-1-ASM		BRKT-COV-TOP-L-PIT-2		6LB42102000
16	COVER-1-ASM	45729587	S/TPP/FHEXM-3X6-NI		X0-02246000
17	COVER-1-ASM		COVER-FOOT-REAR-PITA		6LB42138000
20	COVER-1-ASM		COV-LEFT-TOP-PIT		6LB42112000
21	COVER-1-ASM		COVER-OPTION-PITA-T		6LB42118000
22	COVER-1-ASM		COVER-OPTION-2-PITA		6LB42117000
23	COVER-1-ASM		COVER-REAR-FRONT-PIT		6LB42121000
24	COVER-1-ASM	45729634	S/TPS/FHEXM/R-3X6-ZU3		X0-02419000
25	COVER-1-ASM		COV-REAR-PITA-T		6LB42113000
26	COVER-1-ASM		LBL-MNL-STPL-RBT		6LH83025000
27	COVER-1-ASM		ASYS-COVER-TOP-JCT		6LJ87600000
28	COVER-1-ASM		LBL-CAUTION-MJ-1106		6LH83024000
29	COVER-1-ASM	45729644	S/PAN/SWWP-M3X6-ZU3		X0-02551000
30	COVER-1-ASM	45729589	S/TPP/FHEXM-3X8-NI		X0-02247000
31	COVER-1-ASM		COVER-FOOT-FRONT-PITA		6LB42160000
33	COVER-1-ASM		ABSOBER-TRAY		6LB41907000

This Illustrated Parts Manual is to be used for part identification. Part numbers for the most often used parts are listed. To obtain parts for items that do not list an associated part number contact **Oki Data Technical Support at 866.654.1725** for specific part numbers and part ordering information

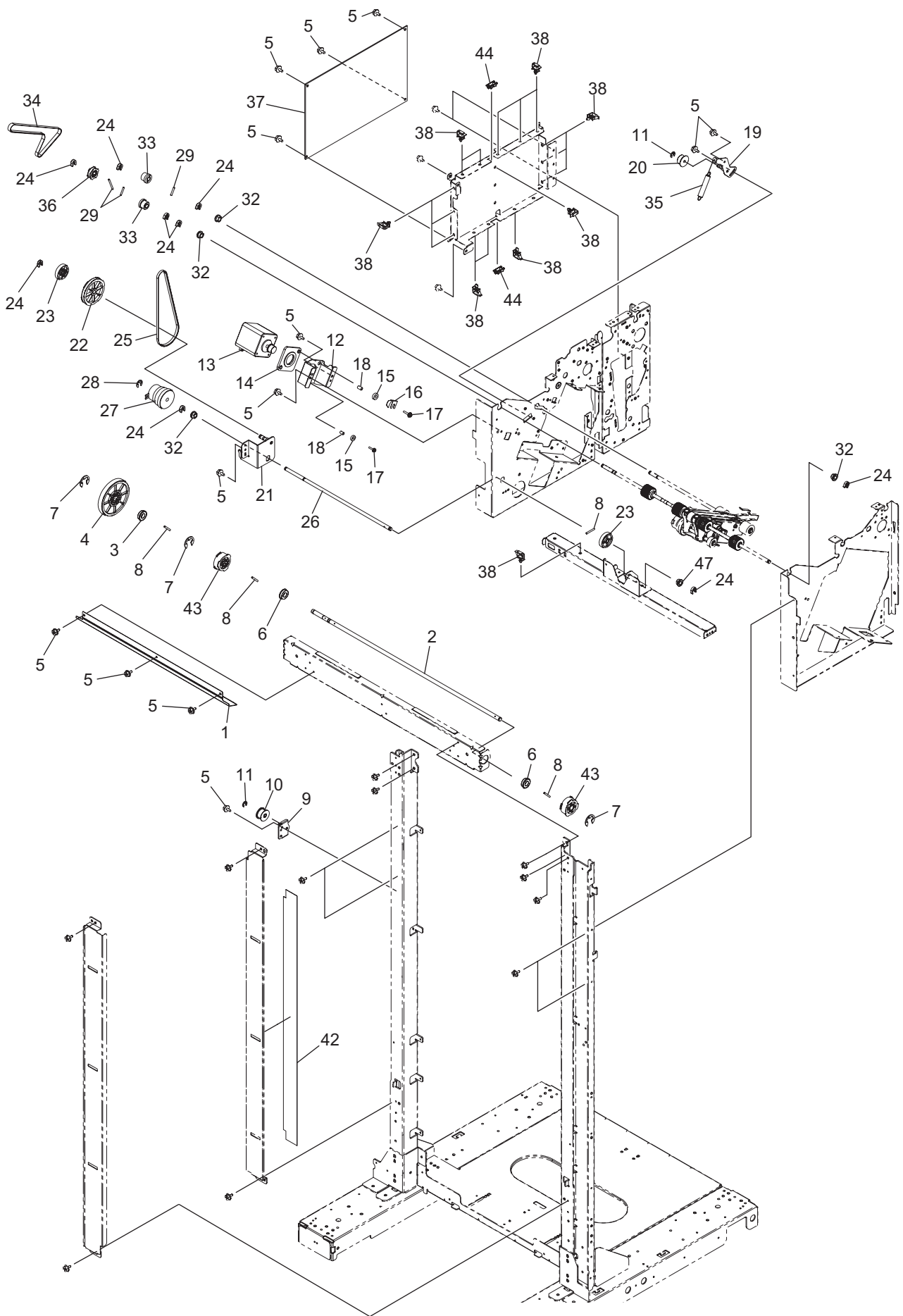
COVER-2-ASM



No.	Unit Name	Part Number	Description	Remarks	Reference
1	COVER-2-ASM	45729639	S/TPS/FHEXM/R-3X8-ZU3		X0-02420000
2	COVER-2-ASM	45729634	S/TPS/FHEXM/R-3X6-ZU3		X0-02419000
3	COVER-2-ASM		COVER-L-BTM-SDL1-T		6LB30201000
4	COVER-2-ASM		COVER-FRONT-PIT		6LB42123000
5	COVER-2-ASM		HNDL-DOOR-PIT-TYP2-T		6LB42122000
6	COVER-2-ASM		BRKT-DOOR-LOCK-PIT-T		6LB42124000
7	COVER-2-ASM		S/TPP/FHEXM-4X10-NI		X0-02252000
8	COVER-2-ASM		BRKT-DOOR-HING-PIT		6LB42103000
10	COVER-2-ASM		PIN-DOOR-HING-PIT		6LB42108000
11	COVER-2-ASM	45729577	RR/E-3-SS		X0-00964000
12	COVER-2-ASM		BRKT-DOOR-HING-PIT1		6LB42104000
13	COVER-2-ASM		BRKT-COV-BTM		6LB42100000
14	COVER-2-ASM	45729587	S/TPP/FHEXM-3X6-NI		X0-02246000
15	COVER-2-ASM		COVER-FRONT-BTM-PIT-T		6LB42115000
16	COVER-2-ASM		BRKT-FRT-BTM-TOP		6LB42105000
18	COVER-2-ASM		PLT-CASTER-FOOT		6LB09436000
19	COVER-2-ASM		S/TPS/FHEXM/R-4X8-ZU3		X0-02421000
23	COVER-2-ASM		S/PAN-M10X40-NI		X0-02400000
28	COVER-2-ASM		LABEL-STPL-MJ1106		6LH83023000
29	COVER-2-ASM		CASTER_LZ-60N-ROTATE		6LB28476000
32	COVER-2-ASM		CA-0124B		F0-01393000
33	COVER-2-ASM		LABEL-GREEN-COV-RBT		6LH83032000
34	COVER-2-ASM		GUIDE-PSN-DOOR-FRT-PIT		6LB42148000
35	COVER-2-ASM	45729589	S/TPP/FHEXM-3X8-NI		X0-02247000
36	COVER-2-ASM		SPG-DOOR-PITA		6LB42134000
37	COVER-2-ASM		GUIDE-CASTER		6LH79311000
40	COVER-2-ASM		ASYB-PLT-CAS-F		6LH79319000
41	COVER-2-ASM		ASYB-PLT-CAS-R		6LH79318000

This Illustrated Parts Manual is to be used for part identification. Part numbers for the most often used parts are listed. To obtain parts for items that do not list an associated part number contact **Oki Data Technical Support at 866.654.1725** for specific part numbers and part ordering information

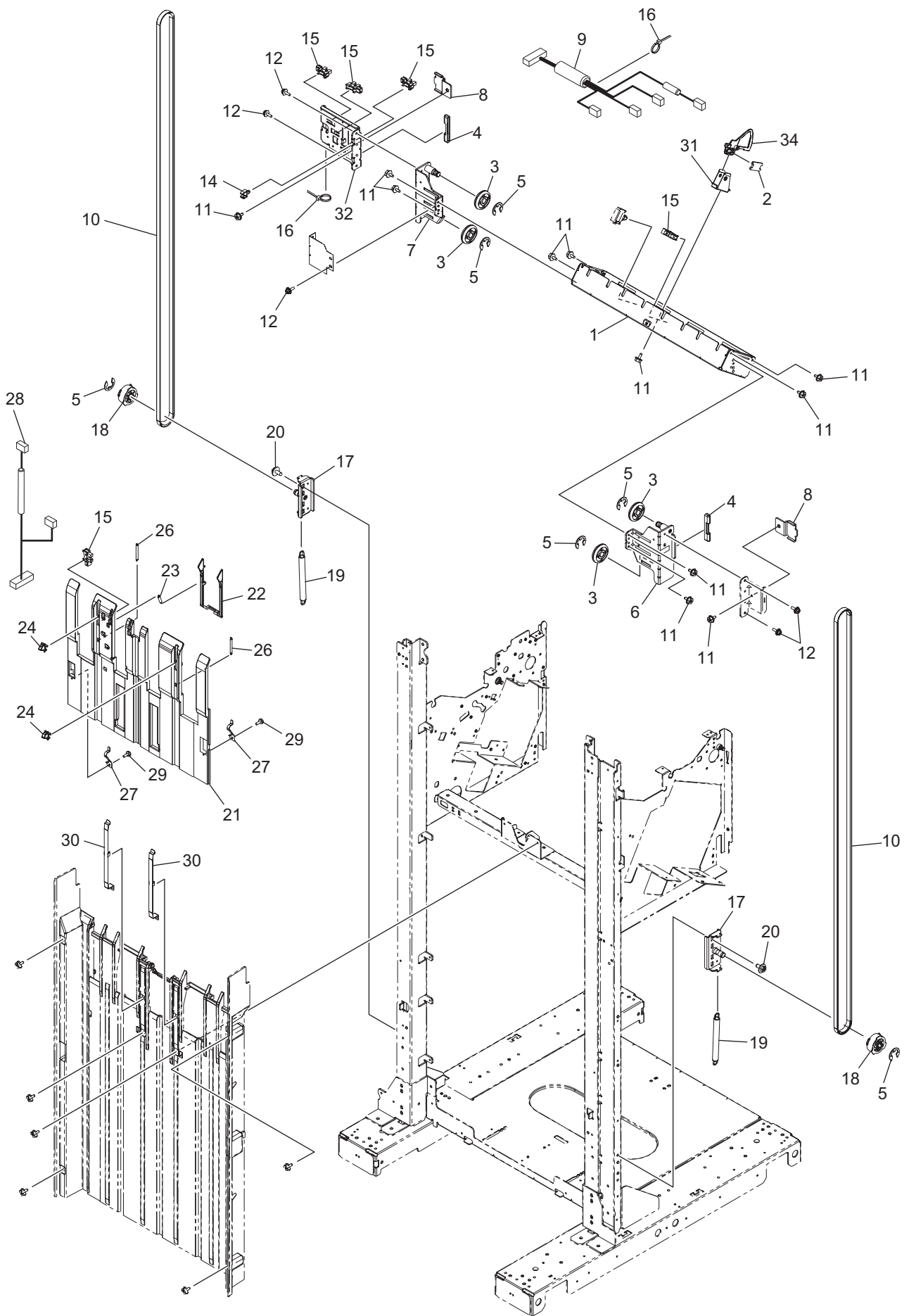
PAPER GUIDE-ASM



No.	Unit Name	Part Number	Description	Remarks	Reference
1	PAPER GUIDE-ASM		PLATE-RAISE-BRUSH		6LB41520000
2	PAPER GUIDE-ASM		SHAFT-DRV-TRAY-UD-PIT		6LB41521000
3	PAPER GUIDE-ASM		BUSH-8X12X8F-NU4		6LH23442000
4	PAPER GUIDE-ASM		GEAR-12R5S51-8-TRAY		6LB11026000
5	PAPER GUIDE-ASM	45729634	S/TPS/FHEXM/R-3X6-ZU3		X0-02419000
6	PAPER GUIDE-ASM		LNR-1680HHRP0P15LY13		F0-01390000
7	PAPER GUIDE-ASM	45729580	RR/E-7-SS		X0-00968000
8	PAPER GUIDE-ASM		P/PRL/AH7-2X16-SS		X0-01533000
9	PAPER GUIDE-ASM		ASYS-PLT-PLY-IDL-2-TD- PIT		6LB41504000
10	PAPER GUIDE-ASM		RLR-TENSION-PIT		6LB39504000
11	PAPER GUIDE-ASM	45729577	RR/E-3-SS		X0-00964000
12	PAPER GUIDE-ASM		BRKT-MOTR-VI		6LB10619000
13	PAPER GUIDE-ASM		MOTR-HB42K1-S2M20-VI		6LB08417000
14	PAPER GUIDE-ASM		DUMPER_MOTOR_4210		6LB09851000
15	PAPER GUIDE-ASM		DUMPER_SCREW		6LB09852000
16	PAPER GUIDE-ASM		PLT-EARTH-MTR		6LB09885000
17	PAPER GUIDE-ASM		S/PAN/SWWP-M3X12-NI		X0-02030000
18	PAPER GUIDE-ASM		3382330-30065		F0-01634000
19	PAPER GUIDE-ASM		ASYS-PLATE-PLY-IDL-SF		6LB10606000
20	PAPER GUIDE-ASM		BELT TENSION ROLLER		FBHB0008901
21	PAPER GUIDE-ASM		ASYS-BRKT-EL-CLUTCH-TRAY		6LB11040000
22	PAPER GUIDE-ASM		PULLY-S3M50-6-TRAY		6LB11053000
23	PAPER GUIDE-ASM		GEAR-10S25-6-TRAY		6LB11050000
24	PAPER GUIDE-ASM		STOP-RING-6-5-POM		6LE49743000
25	PAPER GUIDE-ASM		BELT-SHUT-S3M-TRAY		6LB11045000
26	PAPER GUIDE-ASM		SHAFT-DRV-SHUT-TRAY		6LB11054000
27	PAPER GUIDE-ASM		EL-CLUTCH-SHUT-TRAY		6LB11048000
28	PAPER GUIDE-ASM	45729578	RR/E-4-SS		X0-00965000
29	PAPER GUIDE-ASM	45729621	P/PRL/AH7-2X12-SS		X0-01526000
32	PAPER GUIDE-ASM		BUSH-6-NU4		6LH53768000
33	PAPER GUIDE-ASM		PULLY-S2M21-6-SF-PIT		6LB39506000
34	PAPER GUIDE-ASM		BLT-60S2M-344-SF		6LB39511000
35	PAPER GUIDE-ASM		SPG-BLT-TENS-SF		6LB09013000
36	PAPER GUIDE-ASM		PULLY-S3M20-6-TRAY		6LB11052000
37	PAPER GUIDE-ASM		ASY-FIN-574		6LJ89982000
38	PAPER GUIDE-ASM		LWS-3S-V0		F0-01715000
42	PAPER GUIDE-ASM		MYLAR-BRKT-RAIL-COVER		6LB11083000
43	PAPER GUIDE-ASM		PULLY-S5M18-8-PIT		6LB39503000
44	PAPER GUIDE-ASM		ESC-0912		F0-01248000
47	PAPER GUIDE-ASM	45729559	BUSH-6-POM		44201492000

This Illustrated Parts Manual is to be used for part identification. Part numbers for the most often used parts are listed. To obtain parts for items that do not list an associated part number contact **Oki Data Technical Support at 866.654.1725** for specific part numbers and part ordering information

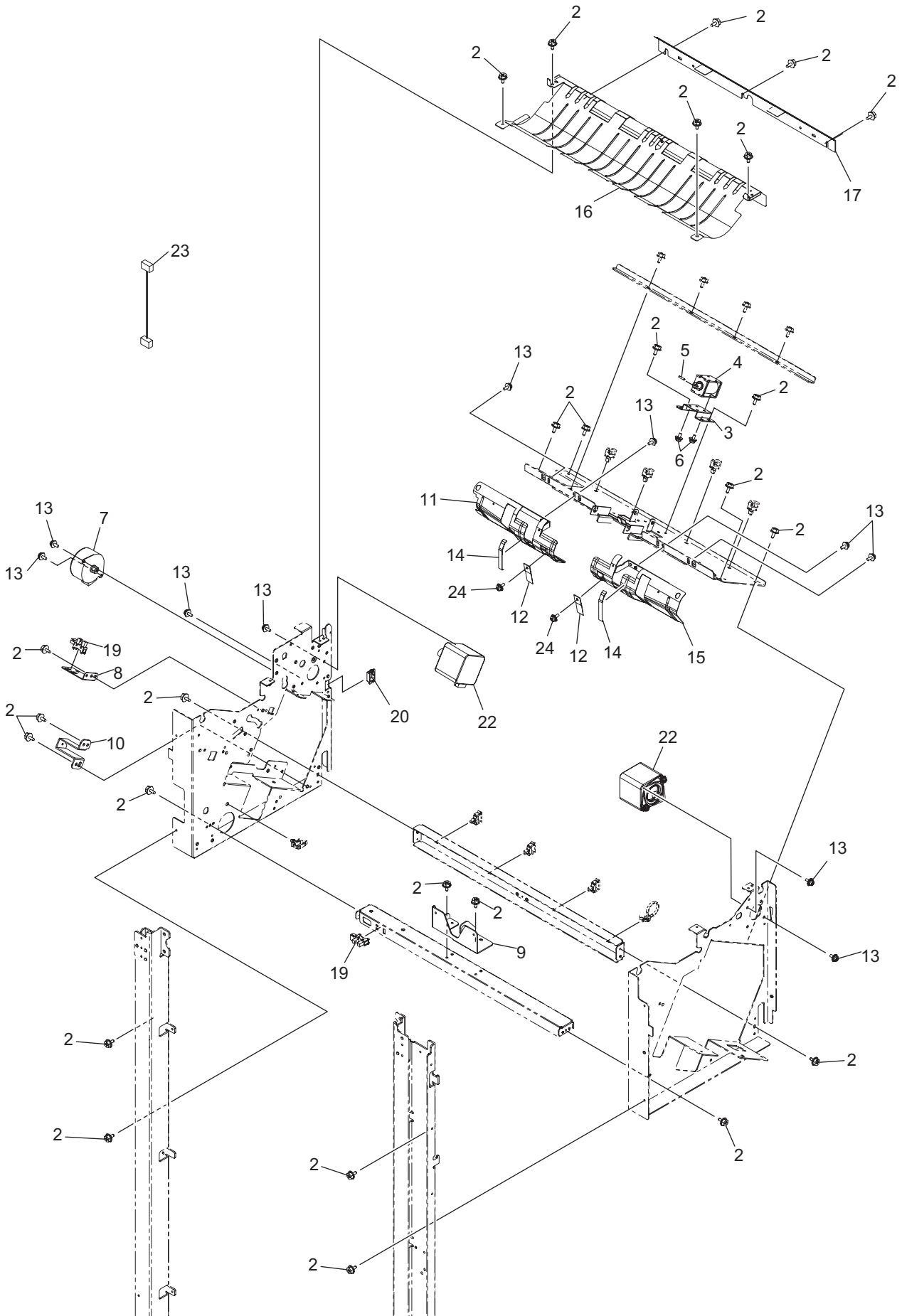
FRAME-BASE-TRAY-ASM



No.	Unit Name	Part Number	Description	Remarks	Reference
1	FRAME-BASE-TRAY-ASM		FRAME-BASE-TRAY		6LB11010000
2	FRAME-BASE-TRAY-ASM		PLATE-P-SNSR-SO		6LB10216000
3	FRAME-BASE-TRAY-ASM		ROLLER-GUIDE-TRAY		6LB11093000
4	FRAME-BASE-TRAY-ASM		GUARD-CAP-SLIDERAIL-TRAY		6LB11011000
5	FRAME-BASE-TRAY-ASM	45729580	RR/E-7-SS		X0-00968000
6	FRAME-BASE-TRAY-ASM		ASYS-RAIL-BRKT-F-TRAY		6LB11074000
7	FRAME-BASE-TRAY-ASM		ASYS-RAIL-BRKT-R-TRAY		6LB11075000
8	FRAME-BASE-TRAY-ASM		PLATE-BLT-CLUMP-TRAY		6LB41701000
9	FRAME-BASE-TRAY-ASM		HRNS-SFTTRY-EAR		6LH82549000
10	FRAME-BASE-TRAY-ASM		BLT-70S5M-1595-PIT		6LB39509000
11	FRAME-BASE-TRAY-ASM	45729639	S/TPS/FHEXM/R-3X8-ZU3		X0-02420000
12	FRAME-BASE-TRAY-ASM	45729591	S/PAN/SWWP-M3X8-NI		X0-00077000
14	FRAME-BASE-TRAY-ASM		UAMS-05S-2		F0-00042000
15	FRAME-BASE-TRAY-ASM		GP1A73ARJ00F		C0-10813000
16	FRAME-BASE-TRAY-ASM		SKB-1		F0-00521000
17	FRAME-BASE-TRAY-ASM		ASYS-PLT-PLY-IDL-TRAY-PIT		6LB41500000
18	FRAME-BASE-TRAY-ASM		PULLY-S5M18-8-PIT		6LB39503000
19	FRAME-BASE-TRAY-ASM		SPG-TENS-PLY-TRAY-PIT		6LB41519000
20	FRAME-BASE-TRAY-ASM		S/TPS/FHEXM/R-4X8-ZU3		X0-02421000
21	FRAME-BASE-TRAY-ASM		SHUTTER-TRAY-PIT2-T		6LB41742000
22	FRAME-BASE-TRAY-ASM		ACTR-01-SNSR-TRAY-PIT-L		6LB41743100
23	FRAME-BASE-TRAY-ASM		SPG-ACTR-01-TRAY-40-PIT		6LB41728000
24	FRAME-BASE-TRAY-ASM		STOP-PAPER-PIT		6LB41708000
26	FRAME-BASE-TRAY-ASM		SPG-STOP-PIT		6LB39900000
27	FRAME-BASE-TRAY-ASM		SPG-PLT-SHUT		6LB11084000
28	FRAME-BASE-TRAY-ASM		HRNS-FIN3-A		6LB12411000
29	FRAME-BASE-TRAY-ASM	45729587	S/TPP/FHEXM-3X6-NI		X0-02246000
30	FRAME-BASE-TRAY-ASM		PLATE-EARTH-ENCL-PIT		6LB41706000
31	FRAME-BASE-TRAY-ASM		BRKT-ACTR-FN-PIT		6LB41720000
32	FRAME-BASE-TRAY-ASM		PLATE-BLT-RER-TRAY		6LB41703000
34	FRAME-BASE-TRAY-ASM		ACTR-SNSR-FN-PIT		6LB41721000

This Illustrated Parts Manual is to be used for part identification. Part numbers for the most often used parts are listed. To obtain parts for items that do not list an associated part number contact **Oki Data Technical Support at 866.654.1725** for specific part numbers and part ordering information

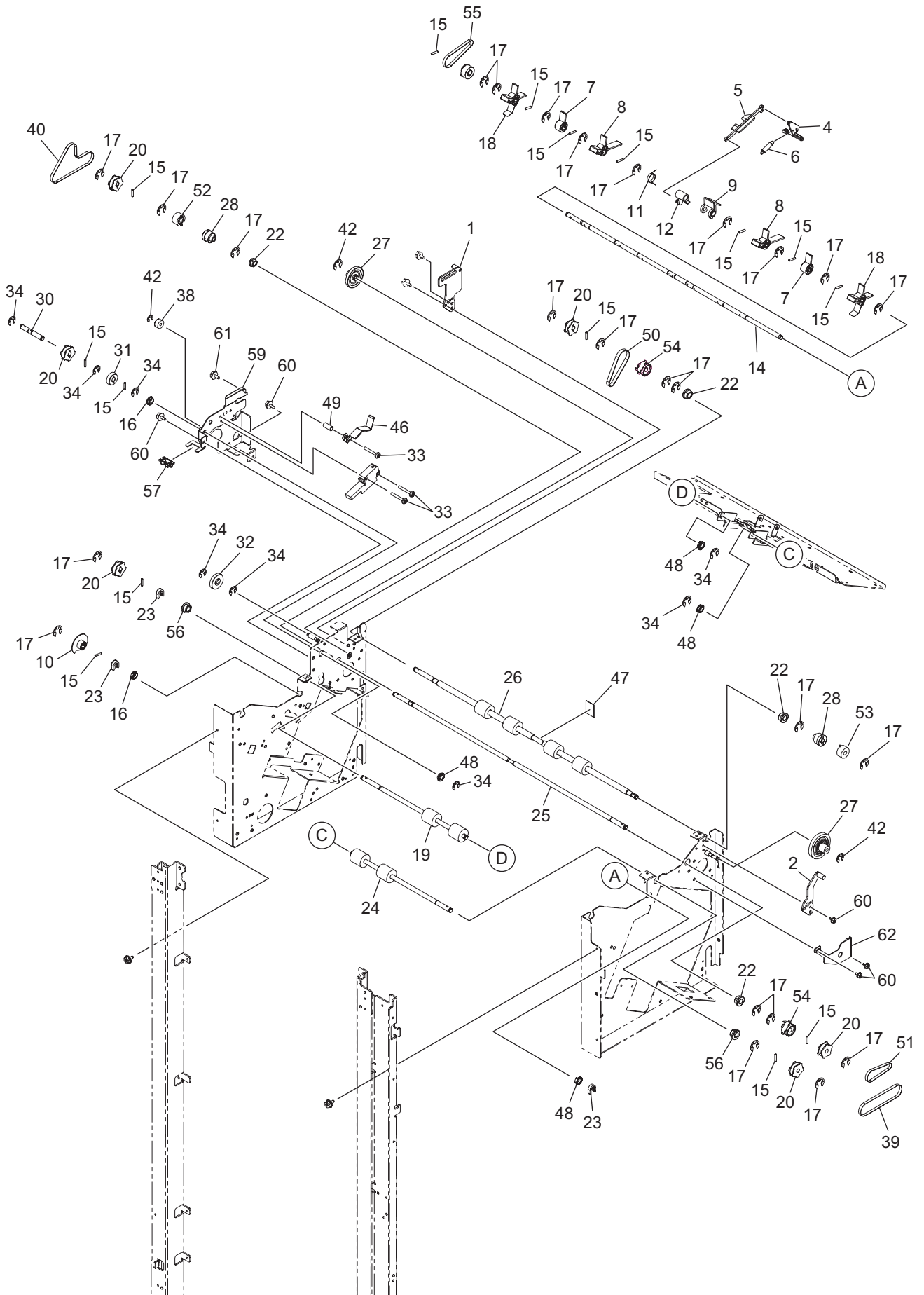
FRAME-ALGIN-1-ASM



No.	Unit Name	Part Number	Description	Remarks	Reference
2	FRAME-ALGIN-1-ASM	45729634	S/TPS/FHEXM/R-3X6-ZU3		X0-02419000
3	FRAME-ALGIN-1-ASM		BRKT-SOL-BASE		6LB10014000
4	FRAME-ALGIN-1-ASM		SOL-08BM-51-VI		6LB08410000
5	FRAME-ALGIN-1-ASM		P/SPW/AW-2X10-SS		X0-01009000
6	FRAME-ALGIN-1-ASM		S/PAN/SWWP-M3X5-NI		X0-00050000
7	FRAME-ALGIN-1-ASM		MOTR-S-PDL-ALIGN-RBT-2		6LK01400000
8	FRAME-ALGIN-1-ASM		BRKT-PDL-SNSR		6LB10013000
9	FRAME-ALGIN-1-ASM		BRKT-SFT-SHUT-PIT2		6LB40502000
10	FRAME-ALGIN-1-ASM		PLT-SPCR-REAR-R-B		6LB11231000
11	FRAME-ALGIN-1-ASM		ASYS-GID-PDL-RER		6LH79533000
12	FRAME-ALGIN-1-ASM		BRUSH-GID-PDL		6LB10038000
13	FRAME-ALGIN-1-ASM	45729644	S/PAN/SWWP-M3X6-ZU3		X0-02551000
14	FRAME-ALGIN-1-ASM		MYLAR-GID-PDL-2		6LB10062000
15	FRAME-ALGIN-1-ASM		ASYS-GID-PDL-FRT		6LH79532000
16	FRAME-ALGIN-1-ASM		GUIDE-FEED-LOW-PIT5		6LB40514000
17	FRAME-ALGIN-1-ASM		ASYS-MYLAR-FEED-IN-PIT		6LB40551000
19	FRAME-ALGIN-1-ASM		GP1A73ARJ00F		C0-10813000
20	FRAME-ALGIN-1-ASM		ESC-0912		F0-01248000
22	FRAME-ALGIN-1-ASM		MOTR-S-FEED2-RBT		6LH79518000
23	FRAME-ALGIN-1-ASM		HRNS-RLY3-A		6LB12416000
24	FRAME-ALGIN-1-ASM	45729644	S/PAN/SWWP-M3X6-ZU3		X0-02551000

This Illustrated Parts Manual is to be used for part identification. Part numbers for the most often used parts are listed. To obtain parts for items that do not list an associated part number contact **Oki Data Technical Support at 866.654.1725** for specific part numbers and part ordering information

FRAME-ALGIN-2-ASM



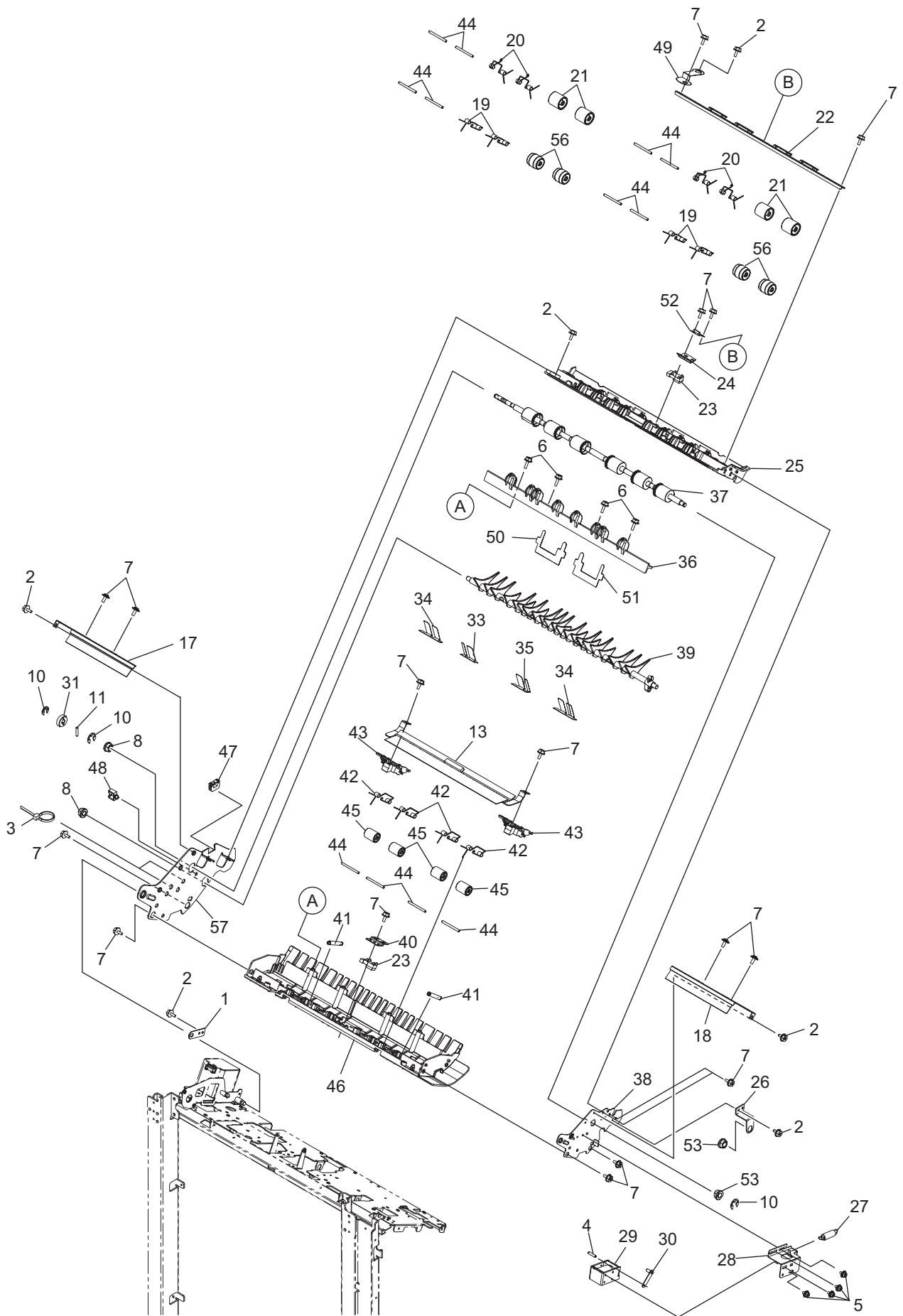
No.	Unit Name	Part Number	Description	Remarks	Reference
1	FRAME-ALGIN-2-ASM		ASYS-BRKT-TRAY-OPN-PIT		6LB30105000
2	FRAME-ALGIN-2-ASM		ASYS-BRKT-TRY-F-BU-C		6LB10838000
4	FRAME-ALGIN-2-ASM		LEVER-SOL-ALIGN		6LB10018000
5	FRAME-ALGIN-2-ASM		ARM-SOL-ALIGN		6LB10008000
6	FRAME-ALGIN-2-ASM		SPG-SOL-ALIGN		6LB09002000
7	FRAME-ALGIN-2-ASM		ASYS-PDL-DRP-SID-VI		6LB10001000
8	FRAME-ALGIN-2-ASM		ASYS-PDL-DRP-VI		6LB10002000
9	FRAME-ALGIN-2-ASM		ASYS-ZIPPER-ALIGN-A		6LB10072000
10	FRAME-ALGIN-2-ASM		WHEEL-SNSR-PDL-VI		6LB10020000
11	FRAME-ALGIN-2-ASM		SPG-ZIPPER-ALIGN		6LB09003000
12	FRAME-ALGIN-2-ASM		ZIPPER-ALIGN-B		6LB10012000
14	FRAME-ALGIN-2-ASM		SHAFT-PDL-VI		6LB10019000
15	FRAME-ALGIN-2-ASM		P/PRL/AH7-2X10-SS		X0-00980000
16	FRAME-ALGIN-2-ASM		CAM METAL		PVB45-00701
17	FRAME-ALGIN-2-ASM	45729579	RR/E-5-SS		X0-00966000
18	FRAME-ALGIN-2-ASM		ASYS-PDL-DRP-OUT-72		6LB10060000
19	FRAME-ALGIN-2-ASM		RLR-FEED-2-R2		6LH78705000
20	FRAME-ALGIN-2-ASM		PULLY-S2M30-6-5		6LB08609000
22	FRAME-ALGIN-2-ASM		LF-1060ZZHP0P25LY727		F0-02079000
23	FRAME-ALGIN-2-ASM		STOP-RING-6-5-POM		6LE49743000
24	FRAME-ALGIN-2-ASM		RLR-FEED-2-L		6LH78704000
25	FRAME-ALGIN-2-ASM		SHAFT-LOW-RBT		6LH79505000
26	FRAME-ALGIN-2-ASM		RLR-FEED-1-RBT		6LH78709000
27	FRAME-ALGIN-2-ASM		GEAR-5S60_PS2M15-5		6LH79500000
28	FRAME-ALGIN-2-ASM		GEAR-ATCMNT-CLT		6LH79501000
30	FRAME-ALGIN-2-ASM		SFT-FEED-U-GEAR		6LH79525000
31	FRAME-ALGIN-2-ASM		GEAR-FEED-LOW-6		6LB08608000
32	FRAME-ALGIN-2-ASM		GEAR-FEED-LOW-8		6LB08607000
33	FRAME-ALGIN-2-ASM		S/TPS/PAN-3X16-ZU3		X0-02060000
34	FRAME-ALGIN-2-ASM	45729578	RR/E-4-SS		X0-00965000
38	FRAME-ALGIN-2-ASM		RLR-BLTENS-FL-PIT		6LB40506000
39	FRAME-ALGIN-2-ASM		BLT-40S2M-182-FL-PIT		6LB40526000
40	FRAME-ALGIN-2-ASM		BLT-40S2M-216-FL-PIT		6LB40525000
42	FRAME-ALGIN-2-ASM	45729577	RR/E-3-SS		X0-00964000
46	FRAME-ALGIN-2-ASM		SPG-COV-OPENSU-RBT		6LH79504000
47	FRAME-ALGIN-2-ASM		SHEET-FEDL-SNSR		6LB40550000
48	FRAME-ALGIN-2-ASM		BUSH-6X8X3F-POM		6LH79100000
49	FRAME-ALGIN-2-ASM		3382330-30090		F0-01484000
50	FRAME-ALGIN-2-ASM		BLT-40-S2M-106		6LH78501000
51	FRAME-ALGIN-2-ASM		BLT-40-S2M-116		6LH78502000
52	FRAME-ALGIN-2-ASM		CLUTCH-6-RW-390		6LE05773000
53	FRAME-ALGIN-2-ASM		CLUTCH-6-LB-390		6LE06731000
54	FRAME-ALGIN-2-ASM		PULLY-S2M28-6-CLUTCH		6LH79502000
55	FRAME-ALGIN-2-ASM		BLT-40-S2M-126		6LH78503000
56	FRAME-ALGIN-2-ASM		BUSH-6-NU4		6LH53768000
57	FRAME-ALGIN-2-ASM		ESC-0912		F0-01248000

This Illustrated Parts Manual is to be used for part identification. Part numbers for the most often used parts are listed. To obtain parts for items that do not list an associated part number contact **Oki Data Technical Support at 866.654.1725** for specific part numbers and part ordering information

No.	Unit Name	Part Number	Description	Remarks	Reference
59	FRAME-ALGIN-2-ASM	45729634	ASYS-BRKT-FEED-R-RBT		6LH79540000
60	FRAME-ALGIN-2-ASM	45729644	S/TPS/FHEXM/R-3X6-ZU3		X0-02419000
61	FRAME-ALGIN-2-ASM		S/PAN/SWWP-M3X6-ZU3		X0-02551000
62	FRAME-ALGIN-2-ASM	45729634	COVER-FEED-GEAR-PIT3		6LH79543000

This Illustrated Parts Manual is to be used for part identification. Part numbers for the most often used parts are listed. To obtain parts for items that do not list an associated part number contact **Oki Data Technical Support at 866.654.1725** for specific part numbers and part ordering information

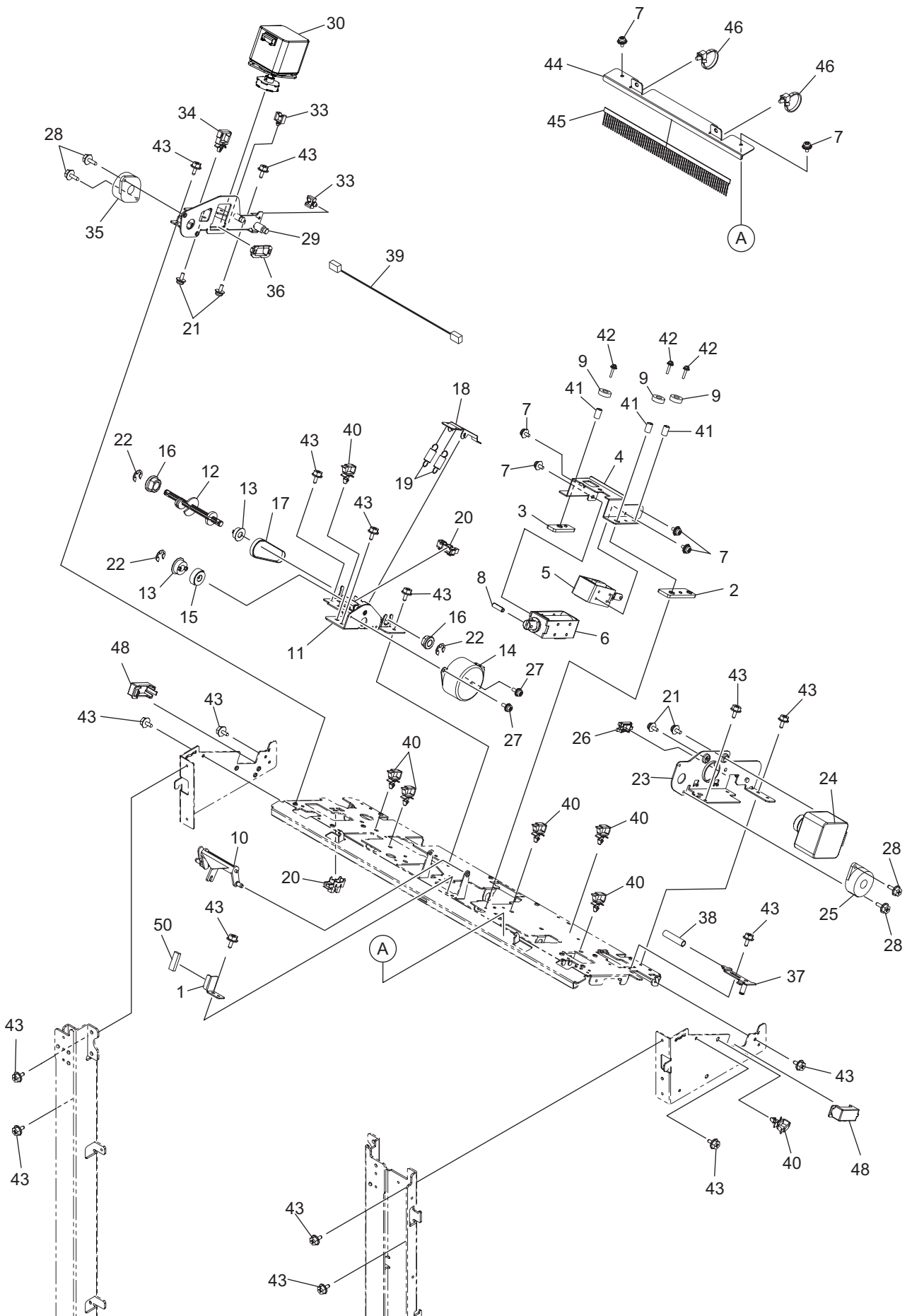
BUFFER-1-ASM



No.	Unit Name	Part Number	Description	Remarks	Reference
1	BUFFER-1-ASM		PLT-SD-PIVOT-D-BU-C		6LB10822000
2	BUFFER-1-ASM	45729634	S/TPS/FHEXM/R-3X6-ZU3		X0-02419000
3	BUFFER-1-ASM		SKB-1		F0-00521000
4	BUFFER-1-ASM		P/SPW/AW-2X10-SS		X0-01009000
5	BUFFER-1-ASM		S/PAN/SWWP-M3X5-NI		X0-00050000
6	BUFFER-1-ASM	45729589	S/TPP/FHEXM-3X8-NI		X0-02247000
7	BUFFER-1-ASM		S/TPP/FPAN-3X6-ZB3		X0-02642000
8	BUFFER-1-ASM		BUSH-6-NU4		6LH53768000
10	BUFFER-1-ASM	45729579	RR/E-5-SS		X0-00966000
11	BUFFER-1-ASM		P/PRL/AH7-2X10-SS		X0-00980000
13	BUFFER-1-ASM		ASYS-AST-ARM-PIT		6LB40709000
17	BUFFER-1-ASM		BRUSH-TRAY-R-BU-C		6LK01603000
18	BUFFER-1-ASM		BRUSH-TRAY-F-BU-C		6LK01602000
19	BUFFER-1-ASM		SPG-UPR2-BU-C		6LB10831000
20	BUFFER-1-ASM		SPG-UPR1-BU-C		6LB10830000
21	BUFFER-1-ASM		RLR-D20XL20-BU-C		6LB10810000
22	BUFFER-1-ASM		PLT-CVR-UPPER-BU-PIT		6LB40719000
23	BUFFER-1-ASM		GP2A230LRSAF		C0-14695000
24	BUFFER-1-ASM		BRKT2-GP2A231LR-PIT2		6LB40510000
25	BUFFER-1-ASM		CVR-UPPER-BU-C-2		6LK01600000
26	BUFFER-1-ASM		BRKT-FLPA-BU-C		6LB10909000
27	BUFFER-1-ASM		SPG-FLP-BU-C-PIT3		6LB39902000
28	BUFFER-1-ASM		ASYS-BRKT-SOL-FLP-PIT		6LB40712000
29	BUFFER-1-ASM		ASYB-SOL-KN10SL-DC-FLAP		6LB40715000
30	BUFFER-1-ASM		ASYS-SOL-LINK-BU-C-2-PIT		6LB40705000
31	BUFFER-1-ASM		GEAR-FEED-LOW-6		6LB08608000
33	BUFFER-1-ASM		FILM3-SUPT-TRAY-BU-C		6LB10891000
34	BUFFER-1-ASM		FILM2-SUPT-TRAY-BU-C		6LB10890000
35	BUFFER-1-ASM		FILM1-SUPT-TRAY-BU-C		6LB10889000
36	BUFFER-1-ASM		TRAY-GUIDE-BU-C-F5330		6LB10907100
37	BUFFER-1-ASM		RLR-FEED-TRY-BU-C-RBT		6LH78707000
38	BUFFER-1-ASM		FRM-SIDE-F-BU-C		6LB10816000
39	BUFFER-1-ASM		ASYS-FLAP-BU-C-F5330		6LB10842100
40	BUFFER-1-ASM		BRKT-GP2A231LR-PIT		6LB40701000
41	BUFFER-1-ASM		SPG-AST-ARM-BUF		6LB09947000
42	BUFFER-1-ASM		SPG-BTM-BU-C		6LB10843000
43	BUFFER-1-ASM		ARM-PAPER-PRESS-BUF-PIT		6LB40700000
44	BUFFER-1-ASM		PIN-3X35-PIP		6LB42751000
45	BUFFER-1-ASM		RLR-D15XL20-BU-C		6LB10899000
46	BUFFER-1-ASM		ASYS-CVR-BOTTOM-BU-C-RBT		6LH79701000
47	BUFFER-1-ASM		DS-02S		F0-01493000
48	BUFFER-1-ASM		UAMS-05S-2		F0-00042000
49	BUFFER-1-ASM		PLT-EARTH-FEED-U		6LB40718000
50	BUFFER-1-ASM		FILM-TRAY-GUIDE-R-PIT		6LB30113000
51	BUFFER-1-ASM		FILM-TRAY-GUIDE-F-PIT		6LB30112000
52	BUFFER-1-ASM		PLATE-EARTH-IN-PIT		6LB40720000

This Illustrated Parts Manual is to be used for part identification. Part numbers for the most often used parts are listed. To obtain parts for items that do not list an associated part number contact **Oki Data Technical Support at 866.654.1725** for specific part numbers and part ordering information

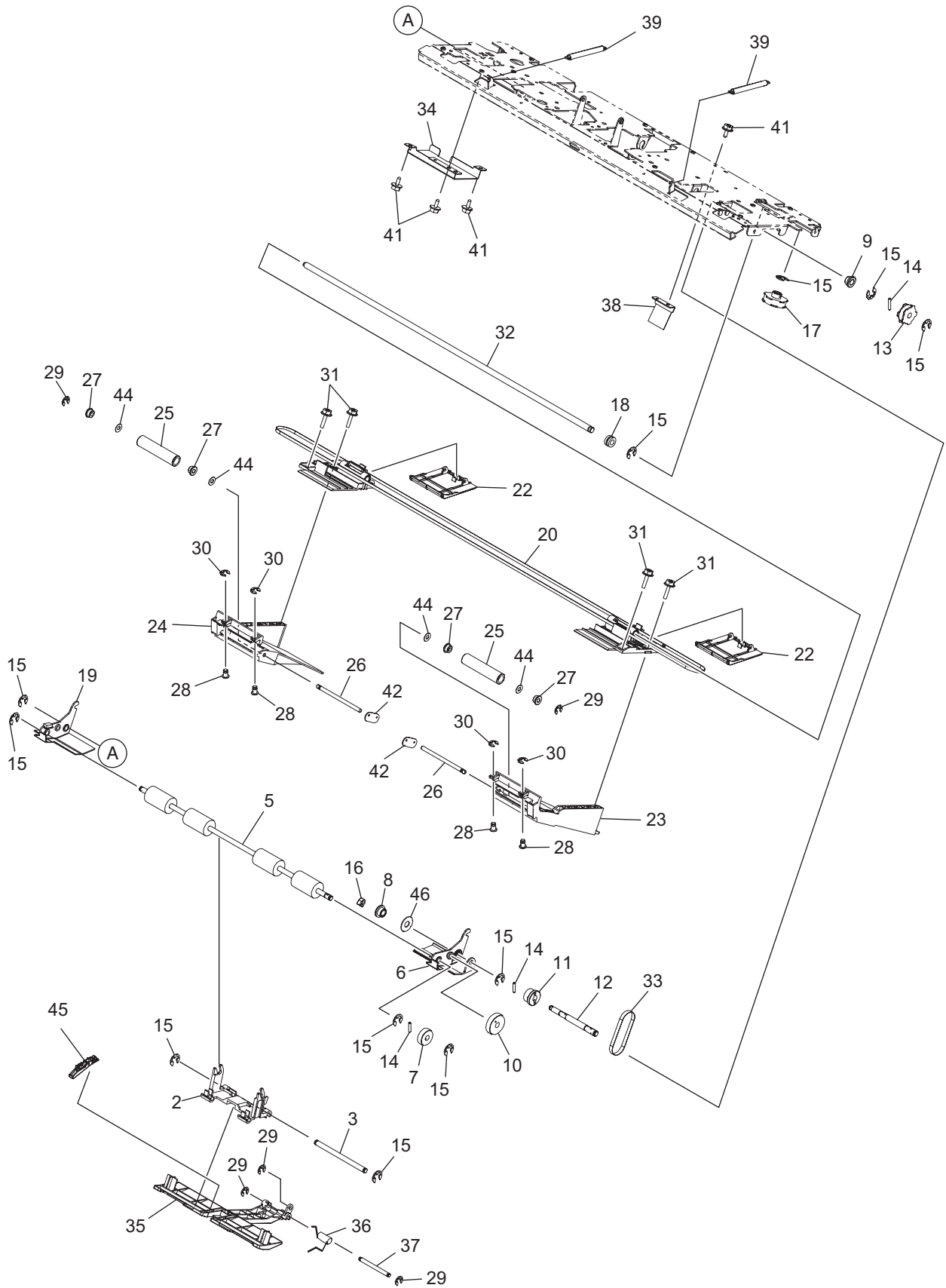
BUFFER-2-ASM



No.	Unit Name	Part Number	Description	Remarks	Reference
1	BUFFER-2-ASM		PLATE-SOL-BUF-PIT		6LB40908000
2	BUFFER-2-ASM		DUMPER-BUF-F-PIT		6LB40940000
3	BUFFER-2-ASM		DUMPER-BUF-R-PIT		6LB40939000
4	BUFFER-2-ASM		BRKT-SOL-BUF-PIT2		6LB40923100
5	BUFFER-2-ASM		ASYS-SOL-10-SL-BUF		6LB09863000
6	BUFFER-2-ASM		SOL-10LSA-BUF		6LB08403000
7	BUFFER-2-ASM		S/PAN/SWWP-M3X5-NI		X0-00050000
8	BUFFER-2-ASM		P/SPW/AW-3X10-SS		X0-01016000
9	BUFFER-2-ASM		DUMPER_SCREW		6LB09852000
10	BUFFER-2-ASM		ARM-E-RLR-2-BUF		6LB09805000
11	BUFFER-2-ASM		ASYS-BRKT-AST-ARM-PIT		6LB40921000
12	BUFFER-2-ASM		CAM-SHAFT-BUF-PIT		6LB40907000
13	BUFFER-2-ASM		PLY/T-2GT020-06		4401966400
14	BUFFER-2-ASM		MOTR-S-PDL-ALIGN-2		6LK01401000
15	BUFFER-2-ASM		GEAR-AST-ARM-PIT		6LB40906000
16	BUFFER-2-ASM	45729559	BUSH-6-POM		44201492000
17	BUFFER-2-ASM		BLT-136-2GT-4-BUF		6LB09827000
18	BUFFER-2-ASM		SEESAW-ARM-BUF		6LB09837000
19	BUFFER-2-ASM		SPG-SEESAW-ARM-BUF		6LB09848000
20	BUFFER-2-ASM		GP1A73ARJ00F		C0-10813000
21	BUFFER-2-ASM	45729644	S/PAN/SWWP-M3X6-ZU3		X0-02551000
22	BUFFER-2-ASM	45729578	RR/E-4-SS		X0-00965000
23	BUFFER-2-ASM		ASYS-HLDR-TRAY-BUF-PIT2		6LB40924000
24	BUFFER-2-ASM		MOTR-EXT-RLR-BUF-RBT		6LH79901000
25	BUFFER-2-ASM		DMPR-OWHF10-10NRS		6LB10905000
26	BUFFER-2-ASM		ESC-0912		F0-01248000
27	BUFFER-2-ASM		S/PAN/SWWS-M3X6-NI		X0-00059000
28	BUFFER-2-ASM	45729639	S/TPS/FHEXM/R-3X8-ZU3		X0-02420000
29	BUFFER-2-ASM		ASYS-HLDR-MOTR-BUF		6LB09897000
30	BUFFER-2-ASM		ASYS-MOTR-TRAY-BUF-RBT-2		6LK01808000
33	BUFFER-2-ASM		UAMS-05S-2		F0-00042000
34	BUFFER-2-ASM		LWS-3S-V0		F0-01715000
35	BUFFER-2-ASM		DMPR-OWHF10-10NLS		6LB10906000
36	BUFFER-2-ASM		TSB-1909N		F0-00199000
37	BUFFER-2-ASM		ASYS-PLT-TENSSION-BUF		6LB09824000
38	BUFFER-2-ASM		SPG-TENSSION-BUF-RBT		6LH79912000
39	BUFFER-2-ASM		HRNS-CPL		6LB12602000
40	BUFFER-2-ASM		LWS-0511S-V0		F0-01810000
41	BUFFER-2-ASM		3382330-30065		F0-01634000
42	BUFFER-2-ASM		S/TPD3/FHEXM-3X12-ZU3		X0-02595000
43	BUFFER-2-ASM	45729634	S/TPS/FHEXM/R-3X6-ZU3		X0-02419000
44	BUFFER-2-ASM		PLATE-EARTH-EXIT-PIT		6LB40945000
45	BUFFER-2-ASM		BRUSH-EXIT-PIT		6LB40944000
46	BUFFER-2-ASM		RSG-100		F0-00257000
48	BUFFER-2-ASM		COV-BUF-HRNS-PIT-L		6LB41724100
50	BUFFER-2-ASM		FELT-SOL-BUF-PIT		6LB40933000

This Illustrated Parts Manual is to be used for part identification. Part numbers for the most often used parts are listed. To obtain parts for items that do not list an associated part number contact **Okidata Technical Support at 866.654.1725** for specific part numbers and part ordering information

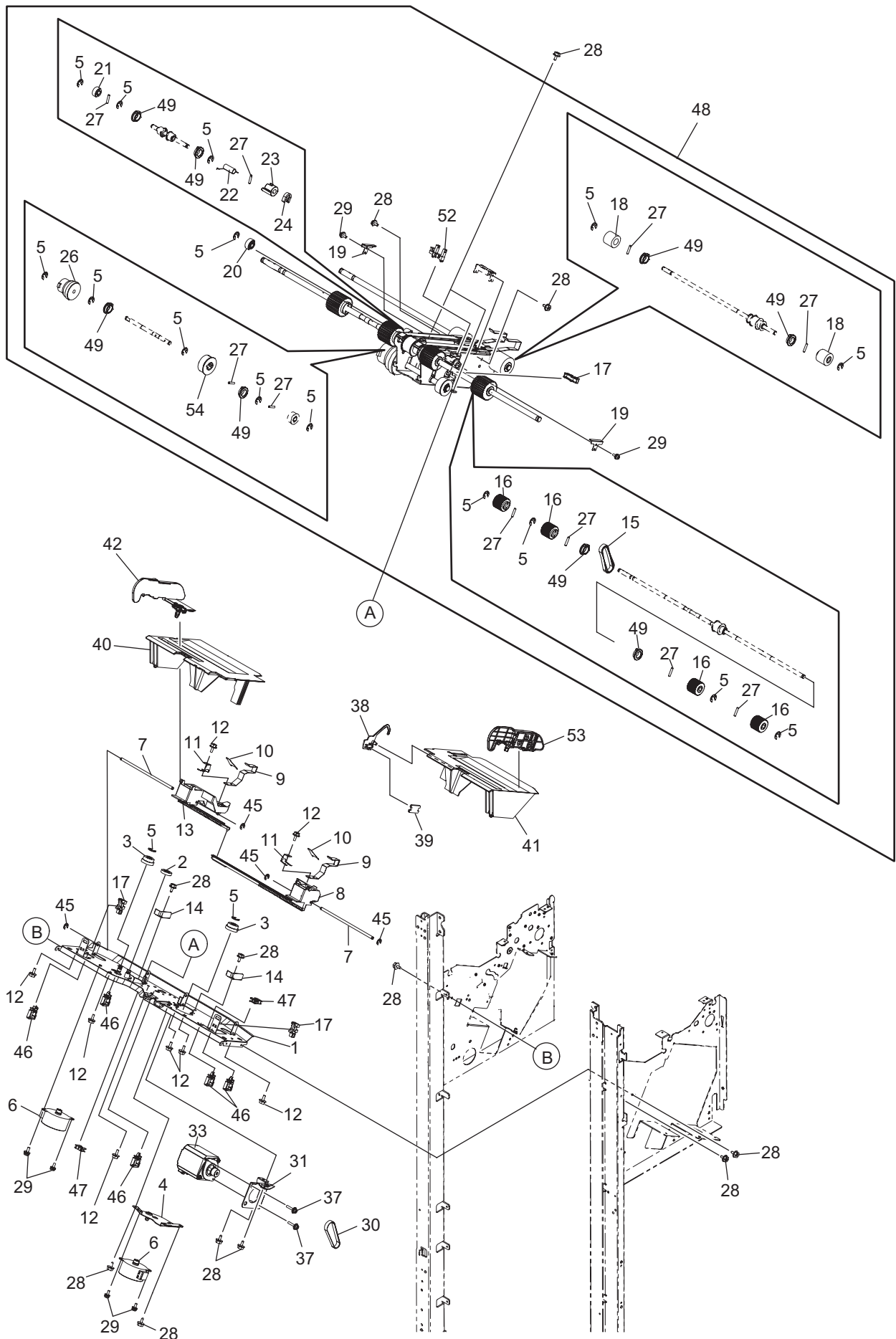
BUFFER-3-ASM



No.	Unit Name	Part Number	Description	Remarks	Reference
2	BUFFER-3-ASM		ARM-E-RLR-BUFFER		6LB09806000
3	BUFFER-3-ASM		SFT-EXT-RLR-BUF-PIT		6LB40930000
5	BUFFER-3-ASM		RLR-EXIT-BUFFER-PIT		6LH78706000
6	BUFFER-3-ASM		ASYS-DAMPER-LVR-F-RBT		6LH79916000
7	BUFFER-3-ASM		GEAR1-EXT-RLR-BUF		6LB08615000
8	BUFFER-3-ASM		BUSH-5-POM-BUF		6LB09200000
9	BUFFER-3-ASM		BUSH-6-NU4		6LH53768000
10	BUFFER-3-ASM		GEAR-IDLER-EXT-BUF		6LB08614000
11	BUFFER-3-ASM		GEAR2-EXT-RLR-BUF		6LB08616000
12	BUFFER-3-ASM		SFT-EXT-RLR-DRV-BUF-PIT		6LB40932000
13	BUFFER-3-ASM		PULLY-S2M30-6-5		6LB08609000
14	BUFFER-3-ASM		P/PRL/AH7-2X10-SS		X0-00980000
15	BUFFER-3-ASM	45729578	RR/E-4-SS		X0-00965000
16	BUFFER-3-ASM		STOP-RING-4		6LB09882000
17	BUFFER-3-ASM		PLY-MOTOR		6LB08617000
18	BUFFER-3-ASM		GLOMET-6X8X11		6LB09887000
19	BUFFER-3-ASM		ASYS-DAMPER-LVR-R-RBT		6LH79909000
20	BUFFER-3-ASM		ASYS-TRAY-BELT-BUF-RBT		6LH79913000
22	BUFFER-3-ASM		GUIDE-TRAY-UP		6LB09836000
23	BUFFER-3-ASM		TRAY-F-BUF-PIT-F5330		6LB40914100
24	BUFFER-3-ASM		TRAY-R-BUF-PIT-F5330		6LB40915100
25	BUFFER-3-ASM		RLR-EXIT-TRAY-PIT		6LB40901000
26	BUFFER-3-ASM		SFT-EXT-PINCH-RLR-BUF-PIT		6LB40929000
27	BUFFER-3-ASM		BUSH-4X8X4.5XF10		6LB40900000
28	BUFFER-3-ASM		CHIP-TRAY-SLIDE-BUF		6LB09831000
29	BUFFER-3-ASM	45729577	RR/E-3-SS		X0-00964000
30	BUFFER-3-ASM		RR/E-2-SS		X0-00963000
31	BUFFER-3-ASM	45729584	S/TPP/FHEXM-3X10-NI		X0-02248000
32	BUFFER-3-ASM		SFT-TRY-BUF		6LB09838000
33	BUFFER-3-ASM		BLT-40S2M-122-BUF-PIT2		6LB30110000
34	BUFFER-3-ASM		CVR-BUF-R-PIT		6LB40910000
35	BUFFER-3-ASM		ARM-DROP-BUFFER-2		6LB40953000
36	BUFFER-3-ASM		SPG-ARM-BUF		6LB09849000
37	BUFFER-3-ASM		SFT-DROP-AST-BUF		6LB09804000
38	BUFFER-3-ASM		BRUSH-AST-ARM-BUF		6LB09884000
39	BUFFER-3-ASM		SPG-EXT-BUF		6LB09005000
41	BUFFER-3-ASM	45729634	S/TPS/FHEXM/R-3X6-ZU3		X0-02419000
42	BUFFER-3-ASM		DAMPER-TRAY-SIDE		6LB09888100
44	BUFFER-3-ASM		WASHER-4.3X10.6X0.075		6LB09864000
45	BUFFER-3-ASM		GUIDE-ROL-BUF-UR		6LH79921000
46	BUFFER-3-ASM		WSHR-5R3X13XR5-POM		6LB40959000

This Illustrated Parts Manual is to be used for part identification. Part numbers for the most often used parts are listed. To obtain parts for items that do not list an associated part number contact **Oki Data Technical Support at 866.654.1725** for specific part numbers and part ordering information

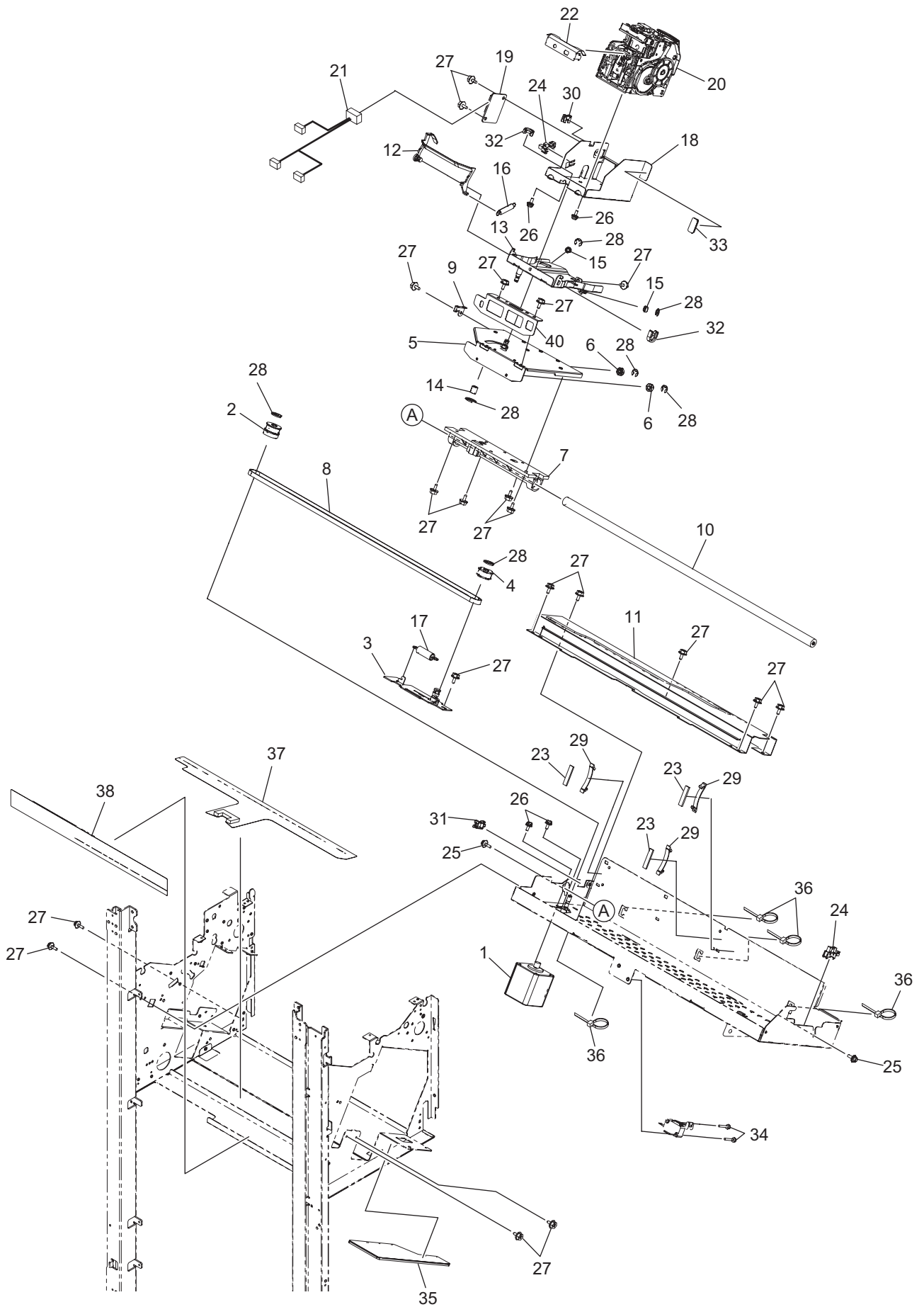
SORT-ASM



No.	Unit Name	Part Number	Description	Remarks	Reference
1	SORT-ASM		ASYS-BASE-BTM-PLATE		6LB10226000
2	SORT-ASM		GEAR-10S16-6-SO		6LB08600000
3	SORT-ASM		GEAR-5S40-10S16-6-PIT		6LB39505000
4	SORT-ASM		ASYS-BRKT-MOTR-SO		6LB10214000
5	SORT-ASM	45729578	RR/E-4-SS		X0-00965000
6	SORT-ASM		MOTR-PM42-5S16-VI		6LB08400000
7	SORT-ASM		SHAFT-GUIDE-P-SIDE		6LB10217000
8	SORT-ASM		RACK-GUIDE-P-SIDE-FR		6LB10208000
9	SORT-ASM		PLATE-STOP-RR-SIDE		6LB10207000
10	SORT-ASM		MYLAR-P-PRESS-SO		6LB10206000
11	SORT-ASM		PLATE-EARTH-SO		6LB10222000
12	SORT-ASM	45729587	S/TPP/FHEXM-3X6-NI		X0-02246000
13	SORT-ASM		RACK-GUIDE-P-SIDE-RR		6LB10209000
14	SORT-ASM		PLATE-SLIDE-GUIDE		6LB41108000
15	SORT-ASM		BLT-60S2M-134-SF		6LB10615000
16	SORT-ASM		ASYS-RLR-SF-22R5		6LB39706000
17	SORT-ASM		GP1A73ARJ00F		C0-10813000
18	SORT-ASM		ASYS-RLR-SF		6LB10609000
19	SORT-ASM		CVR-FRM-INSIDE-02		6LK02001000
20	SORT-ASM		GEAR-10S16-6		6LA29413000
21	SORT-ASM		GEAR-10S14-6-DV		6LB08621000
22	SORT-ASM		SPG-SFFD-SUPT-SF		6LB09014000
23	SORT-ASM		HLDR-SPG-SFAA		6LB10625000
24	SORT-ASM		STOP-RING-6-5-POM		6LE49743000
26	SORT-ASM		CLUCH-26G-6-10S30		6LB08406000
27	SORT-ASM		P/PRL/AH7-2X10-SS		X0-00980000
28	SORT-ASM	45729634	S/TPS/FHEXM/R-3X6-ZU3		X0-02419000
29	SORT-ASM		S/PAN/SWWS-M3X6-NI		X0-00059000
30	SORT-ASM		BLT-60S2M138-SF-PIT		6LB39510000
31	SORT-ASM		BRKT-MOTR-SF-RBT		6LH80102000
33	SORT-ASM		MOTR-HB42K4-S2M20-VI-RBT		6LH80101000
37	SORT-ASM	45729644	S/PAN/SWWP-M3X6-ZU3		X0-02551000
38	SORT-ASM		ACTR-P-SNSR-SO		6LB10201000
39	SORT-ASM		PLATE-P-SNSR-SO		6LB10216000
40	SORT-ASM		ASYS-TABLE-F-PR-TRAY-RBT		6LH80128000
41	SORT-ASM		ASYS-TABLE-R-PR-TRAY-RBT		6LH80129000
42	SORT-ASM		ASYB-PLT-JOG-R-PR-TRAY		6LH80151000
44	SORT-ASM		PLT-JOG-F-PR-TRAY		6LH80141000
45	SORT-ASM	45729577	RR/E-3-SS		X0-00964000
46	SORT-ASM		LWS-0511S-V0		F0-01810000
47	SORT-ASM		DS-02S		F0-01493000
48	SORT-ASM		ASYB-SHEAF-FEED-RBT-2		6LK02003000
49	SORT-ASM		CAM METAL		PVB45-00701
52	SORT-ASM		LG285D1		C0-15544000
53	SORT-ASM		ASYB-PLT-JOG-F-PR-TRAY		6LH80150000
54	SORT-ASM		PULLY-S2M30-6-SF		6LB08624000
103	SORT-ASM	45729591	S/PAN/SWWP-M3X8-NI		X0-00077000

This Illustrated Parts Manual is to be used for part identification. Part numbers for the most often used parts are listed. To obtain parts for items that do not list an associated part number contact **Oki Data Technical Support at 866.654.1725** for specific part numbers and part ordering information

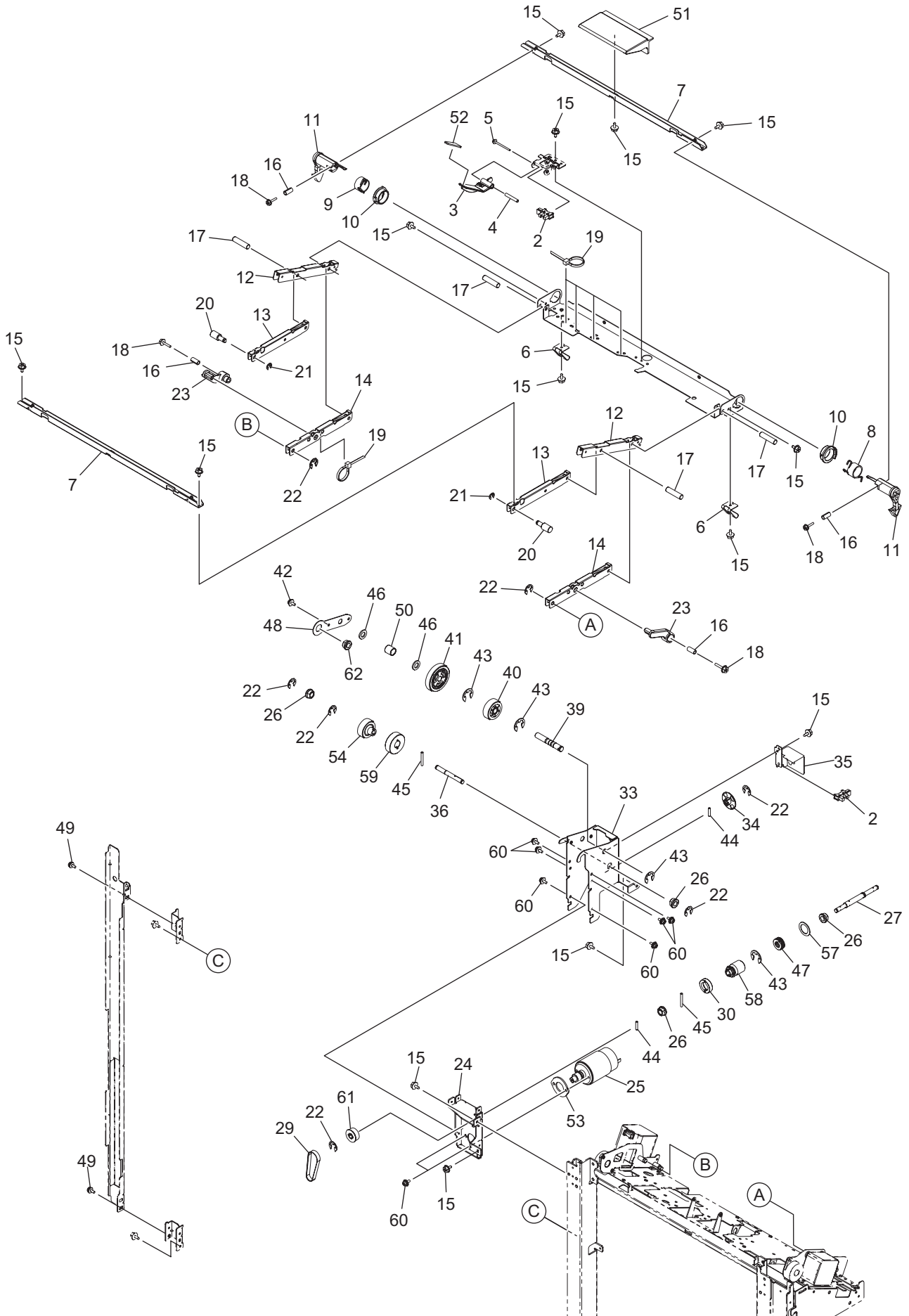
STAPLE-ASM



No.	Unit Name	Part Number	Description	Remarks	Reference
1	STAPLE-ASM		MOTR-HB42-5S15-SP		6LB08418000
2	STAPLE-ASM		PLY-S3M20-GEAR-5S40		6LB08620000
3	STAPLE-ASM		ASYS-PLT-PLY-STPL		6LB10460000
4	STAPLE-ASM		PLY-CARR-STPL		6LB08619000
5	STAPLE-ASM		ASYS-CARR-STPL-2		6LH80307000
6	STAPLE-ASM		RLR-CARR-STPL		6LB08804000
7	STAPLE-ASM		ASYS-S-CARRIER		6LB10450000
8	STAPLE-ASM		BLT-60S3M-900-SP		6LB10401000
9	STAPLE-ASM		PLATE-EARTH-STPL		6LB10431000
10	STAPLE-ASM		SHAFT-CARR-STPL		6LB10402000
11	STAPLE-ASM		PLATE-TURN-RAIL		6LB10403000
12	STAPLE-ASM		ACTR-STPL		6LB10425000
13	STAPLE-ASM		ASYS-BASE-STPL		6LB10420000
14	STAPLE-ASM		RLR-SLIDE-STPL		6LB08806000
15	STAPLE-ASM		RLR-BASE-STPL		6LB08805000
16	STAPLE-ASM		SPG-ACRT-STPL		6LB09011000
17	STAPLE-ASM		SPG-CARR-STPL		6LB09006000
18	STAPLE-ASM		PLATE-TURN-STPL		6LB10412000
19	STAPLE-ASM		PWA-SPR-101		6LB12404000
20	STAPLE-ASM		STAPLE_EH-C590T2		6LH79102000
21	STAPLE-ASM		HRNS-SPRCAR		6LB12424000
22	STAPLE-ASM		PLATE-GID-HOLD-ARM		6LB10413000
23	STAPLE-ASM		RUBR-STPL		6LB10404000
24	STAPLE-ASM		GP1A73ARJ00F		C0-10813000
25	STAPLE-ASM	45729591	S/PAN/SWWP-M3X8-NI		X0-00077000
26	STAPLE-ASM		S/PAN/SWWS-M3X6-NI		X0-00059000
27	STAPLE-ASM	45729634	S/TPS/FHEXM/R-3X6-ZU3		X0-02419000
28	STAPLE-ASM	45729577	RR/E-3-SS		X0-00964000
29	STAPLE-ASM		FCR-30		F0-01286000
30	STAPLE-ASM		DS-02S		F0-01493000
31	STAPLE-ASM		ESC-0912		F0-01248000
32	STAPLE-ASM		STOP-RING-6-5-POM		6LE49743000
33	STAPLE-ASM		LABEL-GREEN-1		6LH83031000
34	STAPLE-ASM		S/TPS/PAN-3X16-ZU3		X0-02060000
35	STAPLE-ASM		SHEET-FRM-FRT-ALIGN		6LB10480000
36	STAPLE-ASM		SKB-1		F0-00521000
37	STAPLE-ASM		ASYS-MYLER-SPONGE-TOP-SDL		6LB28468000
38	STAPLE-ASM		GUID-MYLER-TOP-SDL		6LB30031000
40	STAPLE-ASM		PLT-GUIDE-SUPPT-SW-STAPLE		6LH80305000

This Illustrated Parts Manual is to be used for part identification. Part numbers for the most often used parts are listed. To obtain parts for items that do not list an associated part number contact **Oki Data Technical Support at 866.654.1725** for specific part numbers and part ordering information

SORT-TRAY-ASM



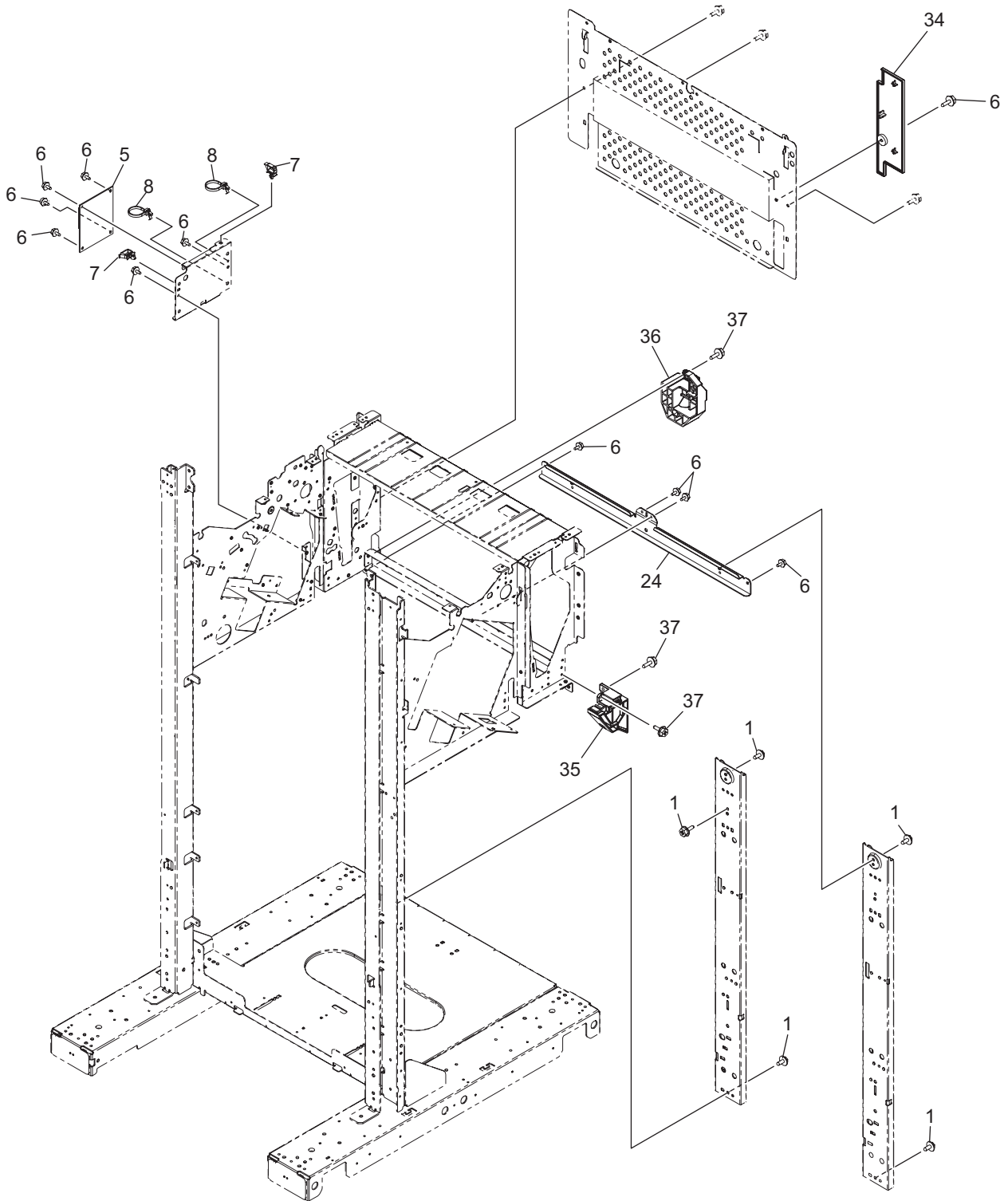
No.	Unit Name	Part Number	Description	Remarks	Reference
2	SORT-TRAY-ASM		GP1A73ARJ00F		C0-10813000
3	SORT-TRAY-ASM		ACT-TRAY-BU-C		6LB10801000
4	SORT-TRAY-ASM		3382330-30250		F0-01485000
5	SORT-TRAY-ASM		S/PAN/SWWP-M3X30-NI		X0-02098000
6	SORT-TRAY-ASM		PLT-SPG-TRAY-CH-BU-C		6LB10850000
7	SORT-TRAY-ASM		LVR-PLT-SFT-BU-C		6LB10820000
8	SORT-TRAY-ASM		SPG-LVR-OPN-F-BU-C		6LB10828000
9	SORT-TRAY-ASM		SPG-LVR-OPN-R-BU-C		6LB10829000
10	SORT-TRAY-ASM		BUSH-LEVER-BU-C		6LB10802000
11	SORT-TRAY-ASM		LEVER-BU-C		6LB10805000
12	SORT-TRAY-ASM		PLATE-LINK-BU-C		6LB10821000
13	SORT-TRAY-ASM		LINK-TRAY-PIT-BU-C		6LB41914000
14	SORT-TRAY-ASM		LINK-TRAY-BU-C		6LB10819000
15	SORT-TRAY-ASM	45729634	S/TPS/FHEXM/R-3X6-ZU3		X0-02419000
16	SORT-TRAY-ASM		3382330-30090		F0-01484000
17	SORT-TRAY-ASM		PIN-5X20		6LB12140000
18	SORT-TRAY-ASM		S/TPD3/FHEXM-3X12-ZU3		X0-02595000
19	SORT-TRAY-ASM		SKB-1		F0-00521000
20	SORT-TRAY-ASM		SD-PIVOT-D-BU-C		6LB10832000
21	SORT-TRAY-ASM	45729577	RR/E-3-SS		X0-00964000
22	SORT-TRAY-ASM	45729579	RR/E-5-SS		X0-00966000
23	SORT-TRAY-ASM		LINK-COV-BTM-BU-C		6LB10807000
24	SORT-TRAY-ASM		STAY-BOX-GEAR-RBT		6LH80510000
25	SORT-TRAY-ASM		ASYS-DRV-MOTR-TRAY-RBT		6LH80509000
26	SORT-TRAY-ASM		BUSH-6-NU4		6LH53768000
27	SORT-TRAY-ASM		SHAFT-WORM-GEAR-PIT		6LB41524000
29	SORT-TRAY-ASM		BLT-60S2M130-PIT		6LB39508000
30	SORT-TRAY-ASM		CAP-WORM-PIT		6LB41510000
33	SORT-TRAY-ASM		BOX-GEAR-DRV-RBT		6LH80505000
34	SORT-TRAY-ASM		DISC-SNSR-TD-PIT		6LB41509000
35	SORT-TRAY-ASM		BOX-SNSR-DISC-TD-PIT		6LB41508000
36	SORT-TRAY-ASM		SHAFT-WORM-WHL-PIT		6LB41525000
39	SORT-TRAY-ASM		SHAFT-IDL-DRV-TRAY-PIT		6LB41523000
40	SORT-TRAY-ASM		GEAR-12R5S23-8-PIT		6LB39502000
41	SORT-TRAY-ASM		GEAR-12R5S33-8-PIT		6LB39500000
42	SORT-TRAY-ASM	45729644	S/PAN/SWWP-M3X6-ZU3		X0-02551000
43	SORT-TRAY-ASM	45729580	RR/E-7-SS		X0-00968000
44	SORT-TRAY-ASM		P/PRL/AH7-2X10-SS		X0-00980000
45	SORT-TRAY-ASM		P/PRL/AH7-2X16-SS		X0-01533000
46	SORT-TRAY-ASM		W/PL/SJ0-8-NI		X0-02351000
47	SORT-TRAY-ASM		CRT6-12-GV22		F0-01972000
48	SORT-TRAY-ASM		PLATE-BOX-G-R-PIT		6LB41507000
49	SORT-TRAY-ASM		S/PAN/SWWS-M3X6-NI		X0-00059000
50	SORT-TRAY-ASM		SPG-DRV-TRAY-PIT		6LB39901000
51	SORT-TRAY-ASM		LEVER-TRAY-BU-C-LGFW		6LB10806600
52	SORT-TRAY-ASM		DAMPER-TRAY-BU-C-PIT		6LB30114100

This Illustrated Parts Manual is to be used for part identification. Part numbers for the most often used parts are listed. To obtain parts for items that do not list an associated part number contact **Oki Data Technical Support at 866.654.1725** for specific part numbers and part ordering information

No.	Unit Name	Part Number	Description	Remarks	Reference
53	SORT-TRAY-ASM		DAMPER-GEAR-BOX-TRAY-RBT		6LH80507100
54	SORT-TRAY-ASM		GEAR-12R5S21-6-TRAY		6LB11024000
57	SORT-TRAY-ASM		RUBB-SPCR-TRAY		6LB11071000
58	SORT-TRAY-ASM		WORM-GEAR-TRAY2		6LB11037100
59	SORT-TRAY-ASM		WORM-WHEEL-10-6-TRAY		6LH80516000
60	SORT-TRAY-ASM	45729591	S/PAN/SWWP-M3X8-NI		X0-00077000
61	SORT-TRAY-ASM		PULLY-METAL-S2M30-6-SF		6LJ87000000
62	SORT-TRAY-ASM	45729610	BUSH-8		4400802080
53	SORT-TRAY-ASM		DAMPER-GEAR-BOX-TRAY-RBT		6LH80507100
54	SORT-TRAY-ASM		GEAR-12R5S21-6-TRAY		6LB11024000
57	SORT-TRAY-ASM		RUBB-SPCR-TRAY		6LB11071000
58	SORT-TRAY-ASM		WORM-GEAR-TRAY2		6LB11037100
59	SORT-TRAY-ASM		WORM-WHEEL-10-6-TRAY		6LH80516000
60	SORT-TRAY-ASM	45729591	S/PAN/SWWP-M3X8-NI		X0-00077000
61	SORT-TRAY-ASM		PULLY-METAL-S2M30-6-SF		6LJ87000000
62	SORT-TRAY-ASM	45729610	BUSH-8		4400802080

This Illustrated Parts Manual is to be used for part identification. Part numbers for the most often used parts are listed. To obtain parts for items that do not list an associated part number contact **Oki Data Technical Support at 866.654.1725** for specific part numbers and part ordering information

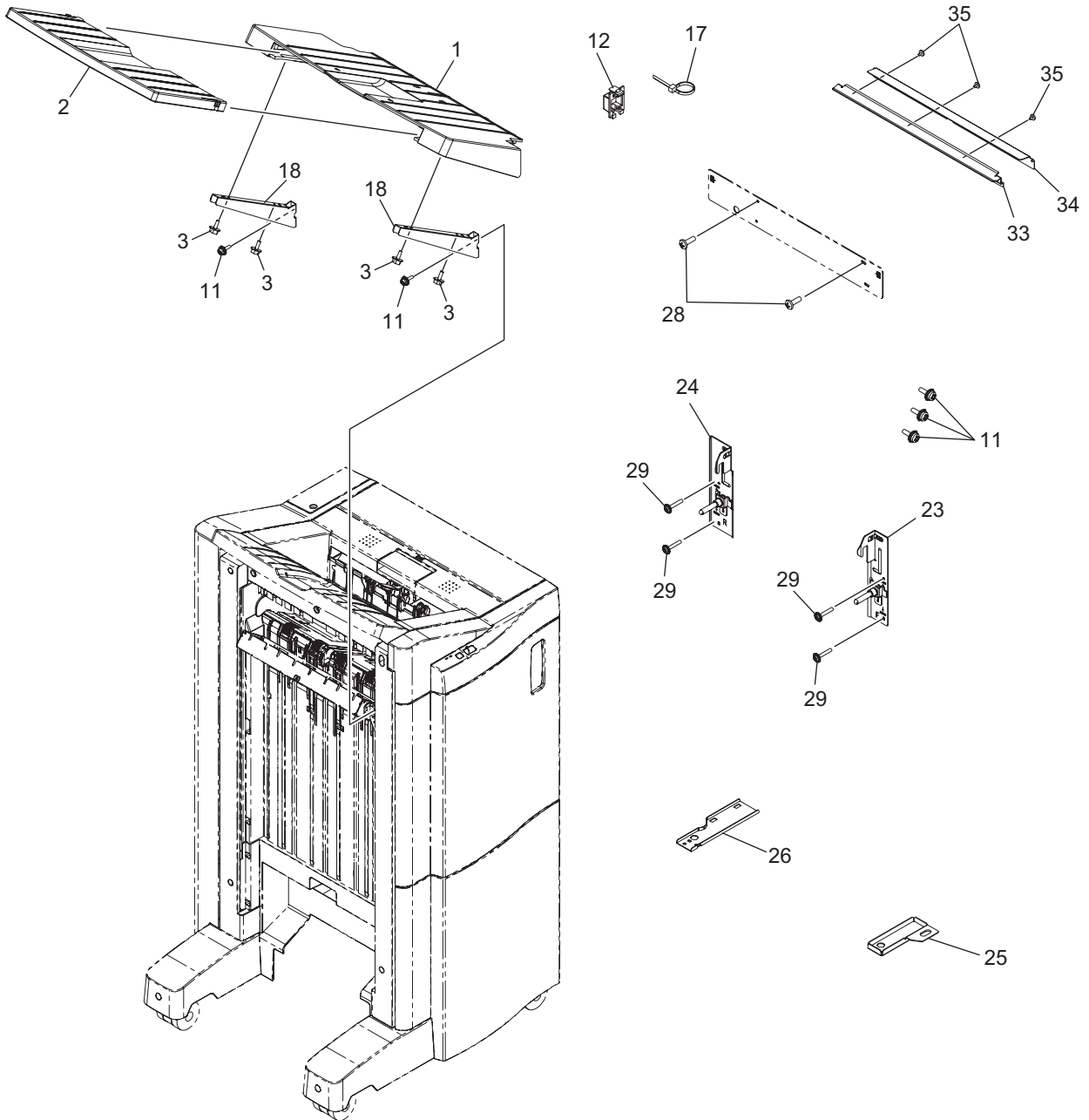
ATTACHMENT-ASM



No.	Unit Name	Part Number	Description	Remarks	Reference
1	ATTACHMENT-ASM		S/TPS/FHEXM/R-4X8-ZU3		X0-02421000
5	ATTACHMENT-ASM		PWA-PTJ-IF		6LB31045000
6	ATTACHMENT-ASM	45729634	S/TPS/FHEXM/R-3X6-ZU3		X0-02419000
7	ATTACHMENT-ASM		LWS-0511S-V0		F0-01810000
8	ATTACHMENT-ASM		RSG-100		F0-00257000
24	ATTACHMENT-ASM		BRKT-VER-MBR-SDL		6LB28421000
34	ATTACHMENT-ASM		COVER-RIGHT-LGFW		6LH81324100
35	ATTACHMENT-ASM		HOLDER-STUD-CN-F		6LH81312000
36	ATTACHMENT-ASM		HOLDER-STUD-CN-R		6LH81311000
37	ATTACHMENT-ASM	45729639	S/TPS/FHEXM/R-3X8-ZU3		X0-02420000

This Illustrated Parts Manual is to be used for part identification. Part numbers for the most often used parts are listed. To obtain parts for items that do not list an associated part number contact **Oki Data Technical Support at 866.654.1725** for specific part numbers and part ordering information

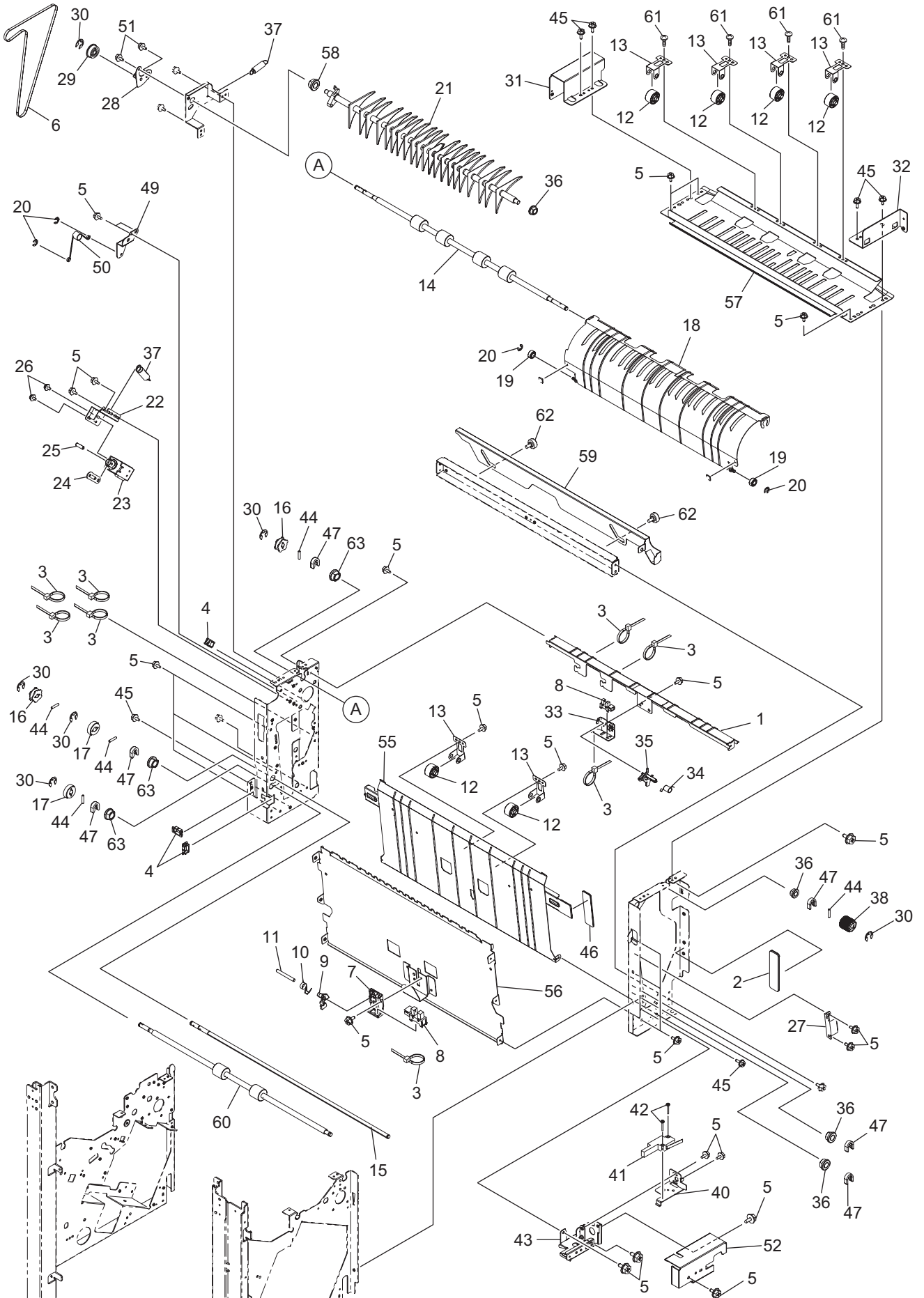
ACCESSORIES-ASM



No.	Unit Name	Part Number	Description	Remarks	Reference
1	ACCESSORIES-ASM		TRAY-FN-PIT-LGFW		6LB41741200
2	ACCESSORIES-ASM		SUBTRAY_MODEL_TRAY-LGFW		6LB41740200
3	ACCESSORIES-ASM	45729587	S/TPP/FHEXM-3X6-NI		X0-02246000
11	ACCESSORIES-ASM	45729591	S/PAN/SWWP-M3X8-NI		X0-00077000
12	ACCESSORIES-ASM		COVER-CABLE-REAR-PIT		6LB11234100
17	ACCESSORIES-ASM		SKB-1		F0-00521000
18	ACCESSORIES-ASM		STAY-BIN-TRAY-PIT-01		6LB41715000
23	ACCESSORIES-ASM		ASYS-HOOK-JF-RBT2		6LJ90801000
24	ACCESSORIES-ASM		ASYS-HOOK-JR-RBT2		6LJ90800000
25	ACCESSORIES-ASM		BRKT-B-COV-P-RBT		6LH81502000
26	ACCESSORIES-ASM		BRKT-RB-COV-PIP		6LB42701000
28	ACCESSORIES-ASM		S/TPS/BID-4X10-NC		X0-01445000
29	ACCESSORIES-ASM		S/TPS/FPAN-4X20-ZU3		X0-02462000
33	ACCESSORIES-ASM		GUIDE-FEED-PH-U		6LH83822000
34	ACCESSORIES-ASM		GUIDE-FEED-PH-L		6LH83821000
35	ACCESSORIES-ASM	45729585	S/BID-M3X4-NI		X0-00426000

This Illustrated Parts Manual is to be used for part identification. Part numbers for the most often used parts are listed. To obtain parts for items that do not list an associated part number contact **Oki Data Technical Support at 866.654.1725** for specific part numbers and part ordering information

JCT-BOX-ASYM-SDL



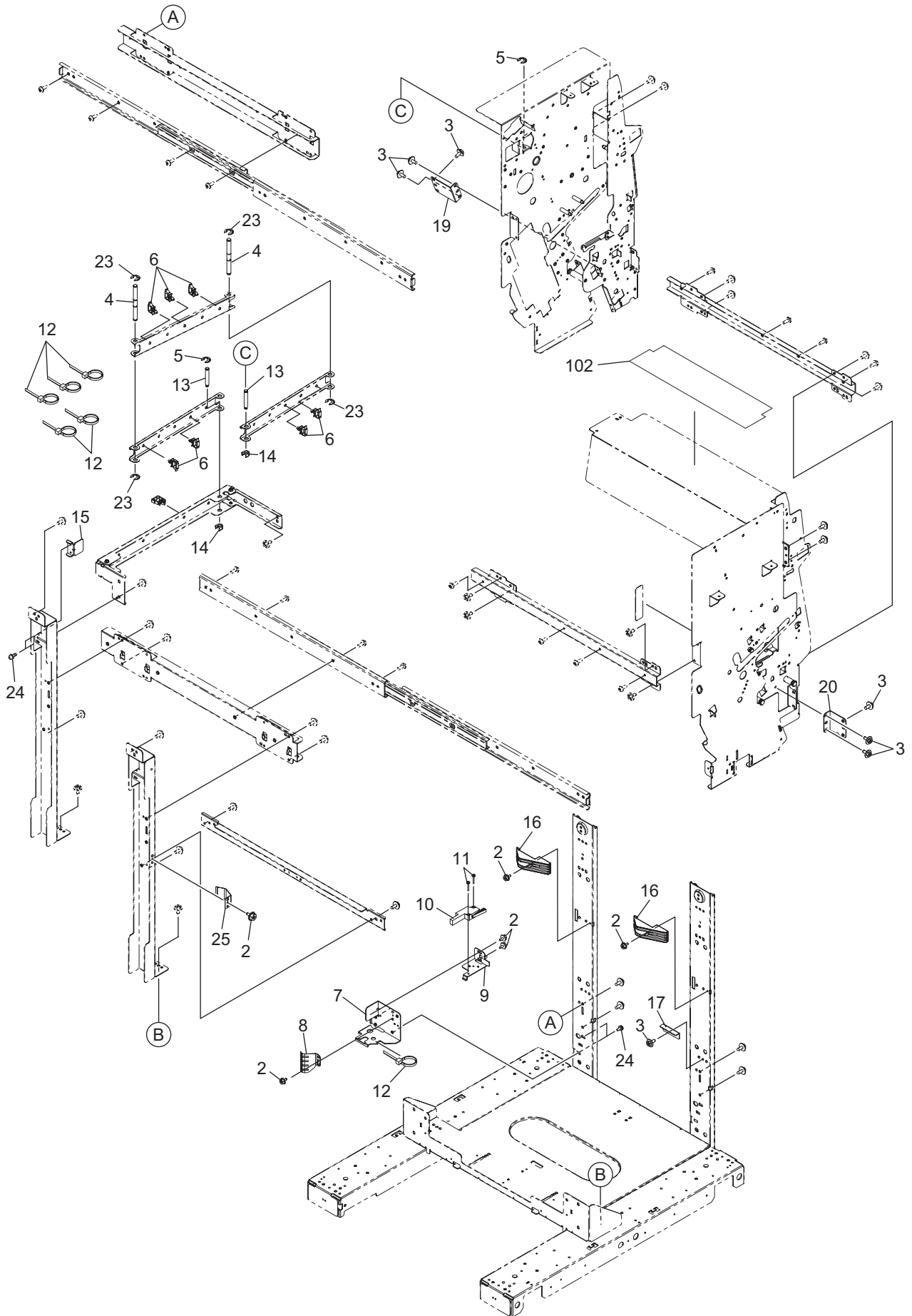
No.	Unit Name	Part Number	Description	Remarks	Reference
1	JCT-BOX-ASYM-SDL		GUIDE-JCT-IN-L-RBT		6LH81309000
2	JCT-BOX-ASYM-SDL		SHEET-FRM-JCT-PIT		6LB42537000
3	JCT-BOX-ASYM-SDL		SKB-1		F0-00521000
4	JCT-BOX-ASYM-SDL		ESC-0912		F0-01248000
5	JCT-BOX-ASYM-SDL	45729634	S/TPS/FHEXM/R-3X6-ZU3		X0-02419000
6	JCT-BOX-ASYM-SDL		BLT-40S2M-520-JCT-PIT		6LB42527000
7	JCT-BOX-ASYM-SDL		PLT-SEN-A-BU-C		6LB10808000
8	JCT-BOX-ASYM-SDL		GP1A73ARJ00F		C0-10813000
9	JCT-BOX-ASYM-SDL		ACT-SENS-PIT		6LB42542000
10	JCT-BOX-ASYM-SDL		SPG-AC-BU-C		6LB10824000
11	JCT-BOX-ASYM-SDL		P/PRL/AH7-3X25-SS		X0-02380000
12	JCT-BOX-ASYM-SDL		RLR-D20XL11-SDL		6LB29933000
13	JCT-BOX-ASYM-SDL		PLATE-RLR-JB-PIT		6LB42510000
14	JCT-BOX-ASYM-SDL		RLR-FEED-1-JBP-RBT		6LH78711000
15	JCT-BOX-ASYM-SDL		SHAFT-IDLE-JCT-PIT		6LB42526000
16	JCT-BOX-ASYM-SDL		PULLY-S2M30-6-5		6LB08609000
17	JCT-BOX-ASYM-SDL		GEAR-FEED-LOW-6		6LB08608000
18	JCT-BOX-ASYM-SDL		ASYS-GUIDE-F3-JB-PIT		6LB42521000
19	JCT-BOX-ASYM-SDL		RLR-BASE-STPL		6LB08805000
20	JCT-BOX-ASYM-SDL	45729577	RR/E-3-SS		X0-00964000
21	JCT-BOX-ASYM-SDL		FLAP-JBP-PIT-F5330		6LB42524100
22	JCT-BOX-ASYM-SDL		ASYS-BRKT-SOL-FLP-BU-C		6LB10893000
23	JCT-BOX-ASYM-SDL		SOL-10-SL-BUF		6LB08401000
24	JCT-BOX-ASYM-SDL		ASYS-SOL-LINK-BU-C		6LB10846000
25	JCT-BOX-ASYM-SDL		P/SPW/AW-3X10-SS		X0-01016000
26	JCT-BOX-ASYM-SDL		S/PAN/SWWP-M3X5-NI		X0-00050000
27	JCT-BOX-ASYM-SDL		CA-0124B		F0-01393000
28	JCT-BOX-ASYM-SDL		ASYS-TENS-JBP-PIT		6LB42515000
29	JCT-BOX-ASYM-SDL		PULLY-TEN-S2M30-6-5		6LB08610000
30	JCT-BOX-ASYM-SDL	45729579	RR/E-5-SS		X0-00966000
31	JCT-BOX-ASYM-SDL		BRKT-TOP-P-R		6LB42126000
32	JCT-BOX-ASYM-SDL		BRKT-TOP-P		6LB42127000
33	JCT-BOX-ASYM-SDL		BRKT-SNSR-RLR-1		6LB10007000
34	JCT-BOX-ASYM-SDL		SPG-FEED-SNSR-1		6LB09015000
35	JCT-BOX-ASYM-SDL		ACTR-SNSR-RLR-1		6LB09602000
36	JCT-BOX-ASYM-SDL	45729559	BUSH-6-POM		44201492000
37	JCT-BOX-ASYM-SDL		SPG-FLP-BU-C		6LB10826000
38	JCT-BOX-ASYM-SDL		KNOB-PIT2		6LB42518100
40	JCT-BOX-ASYM-SDL		PLT-TURN-SNSR		6LB11233000
41	JCT-BOX-ASYM-SDL		AM51632C731N		E0-09409000
42	JCT-BOX-ASYM-SDL		S/TPS/PAN-3X16-ZU3		X0-02060000
43	JCT-BOX-ASYM-SDL		BRKT-DOOR-SNSR		6LB11241000
44	JCT-BOX-ASYM-SDL		P/PRL/AH7-2X10-SS		X0-00980000
45	JCT-BOX-ASYM-SDL	45729639	S/TPS/FHEXM/R-3X8-ZU3		X0-02420000
46	JCT-BOX-ASYM-SDL		LABEL-GREEN-RBT		6LH83033000
47	JCT-BOX-ASYM-SDL		STOP-RING-6-5-POM		6LE49743000

This Illustrated Parts Manual is to be used for part identification. Part numbers for the most often used parts are listed. To obtain parts for items that do not list an associated part number contact **Oki Data Technical Support at 866.654.1725** for specific part numbers and part ordering information

No.	Unit Name	Part Number	Description	Remarks	Reference
49	JCT-BOX-ASYM-SDL		ASYS-HLD-SPG-FRM-PIT		6LB42555000
50	JCT-BOX-ASYM-SDL		SPG-CLOSE-JBP-RER		6LB42557000
51	JCT-BOX-ASYM-SDL	45729644	S/PAN/SWWP-M3X6-ZU3		X0-02551000
52	JCT-BOX-ASYM-SDL		PLT-F-SNSR-PIT		6LB42551000
55	JCT-BOX-ASYM-SDL		ASYS-GUIDE-F4-JB-RBT		6LH81320000
56	JCT-BOX-ASYM-SDL		ASYS-GUIDE-F5-JB-RBT		6LH81321000
57	JCT-BOX-ASYM-SDL		ASYS-GUIDE-JCT-IN-U-RBT-2		6LJ87800000
58	JCT-BOX-ASYM-SDL		BUSH-6-NU4		6LH53768000
59	JCT-BOX-ASYM-SDL		LEVER-LOCK-RBT		6LH81313000
60	JCT-BOX-ASYM-SDL		RLR-FEED-1-JBP-RBT2		6LH78712000
61	JCT-BOX-ASYM-SDL	45729585	S/BID-M3X4-NI		X0-00426000
62	JCT-BOX-ASYM-SDL		SCREW-LEVER-M3_6		6LB09432000
63	JCT-BOX-ASYM-SDL		BUSH-6X10X6F-SBK		6LE49739000

This Illustrated Parts Manual is to be used for part identification. Part numbers for the most often used parts are listed. To obtain parts for items that do not list an associated part number contact **Oki Data Technical Support at 866.654.1725** for specific part numbers and part ordering information

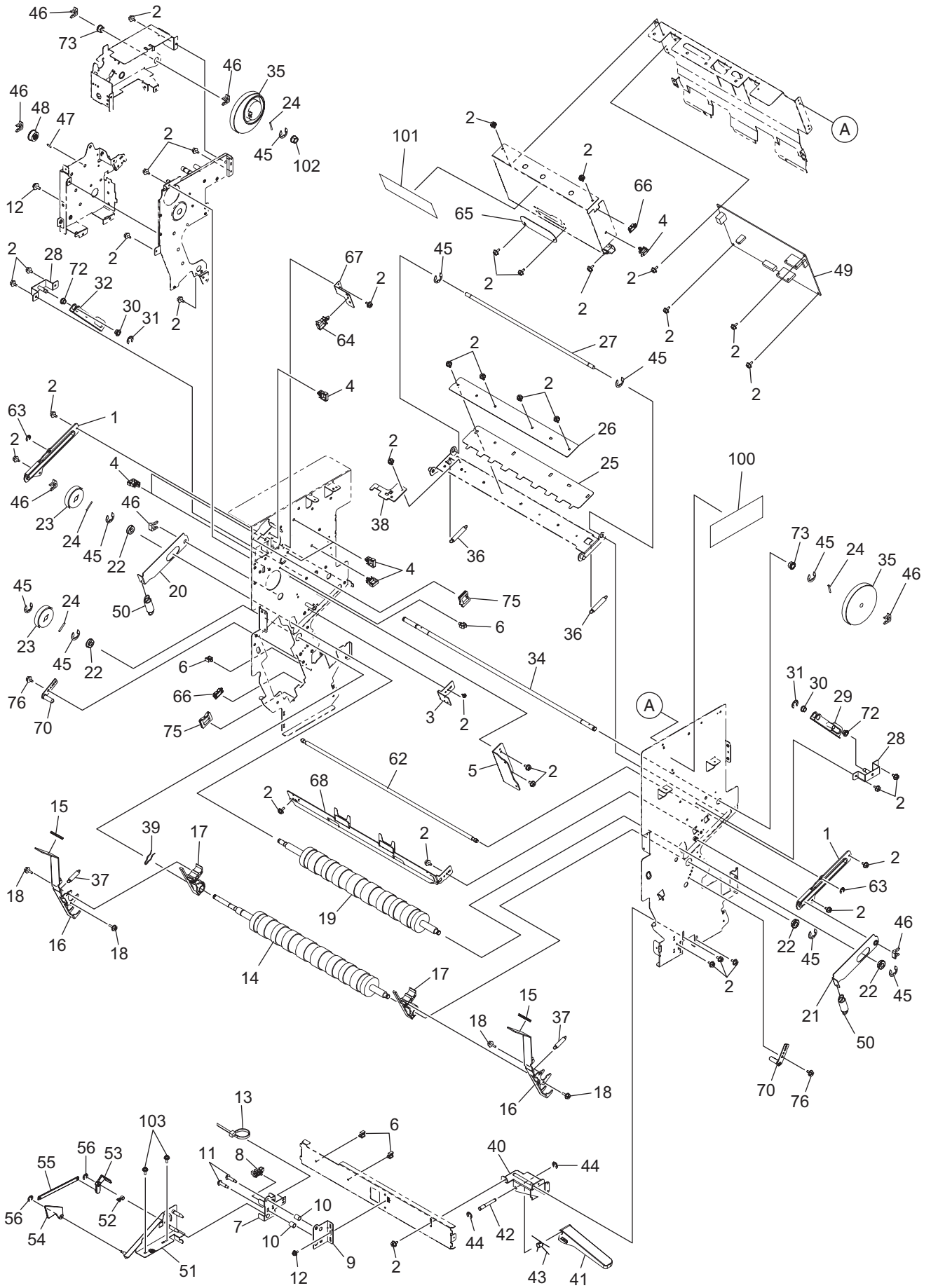
GUIDE-RAIL-SDL-ASM



No.	Unit Name	Part Number	Description	Remarks	Reference
2	GUIDE-RAIL-SDL-ASM	45729634	S/TPS/FHEXM/R-3X6-ZU3		X0-02419000
3	GUIDE-RAIL-SDL-ASM		S/TPS/FHEXM/R-4X8-ZU3		X0-02421000
4	GUIDE-RAIL-SDL-ASM		SFT-BIG-GUIDE-HARNESS		6LH81705000
5	GUIDE-RAIL-SDL-ASM	45729579	RR/E-5-SS		X0-00966000
6	GUIDE-RAIL-SDL-ASM		LWS-0711S-V0		F0-01811000
7	GUIDE-RAIL-SDL-ASM		BRKT-MGNT-SNSR-MTG		6LB28415000
8	GUIDE-RAIL-SDL-ASM		EARTH-PLATE-SDL		6LB28413000
9	GUIDE-RAIL-SDL-ASM		PLT-TURN-SNSR		6LB11233000
10	GUIDE-RAIL-SDL-ASM		AM51632C731N		E0-09409000
11	GUIDE-RAIL-SDL-ASM		S/TPS/PAN-3X16-ZU3		X0-02060000
12	GUIDE-RAIL-SDL-ASM		SKB-1		F0-00521000
13	GUIDE-RAIL-SDL-ASM		SFT-SMALL-GUIDE-HARNESS		6LH81704000
14	GUIDE-RAIL-SDL-ASM		STOP-RING-4		6LB09882000
15	GUIDE-RAIL-SDL-ASM		PLT-MAGNET-SDL		6LB28456000
16	GUIDE-RAIL-SDL-ASM		GID-FEED-CLOSE-SWBK		6LB28728000
17	GUIDE-RAIL-SDL-ASM		BRKT-STOPPER-FR-FRM-SDL		6LB28427000
19	GUIDE-RAIL-SDL-ASM		BRKT-MOUNTED-SDL-RR		6LB28414000
20	GUIDE-RAIL-SDL-ASM		BRKT-MOUNTED-SDL-FR		6LB28401000
23	GUIDE-RAIL-SDL-ASM	45729578	RR/E-4-SS		X0-00965000
24	GUIDE-RAIL-SDL-ASM		S/PAN/SWWS-M3X6-NI		X0-00059000
25	GUIDE-RAIL-SDL-ASM		PLT-SPG-FOLD-SDL		6LB30088000
102	GUIDE-RAIL-SDL-ASM		LABEL-JAM-ACCESS-SDL2		6LH83022000

This Illustrated Parts Manual is to be used for part identification. Part numbers for the most often used parts are listed. To obtain parts for items that do not list an associated part number contact **Oki Data Technical Support at 866.654.1725** for specific part numbers and part ordering information

FRAME-SD-ASM



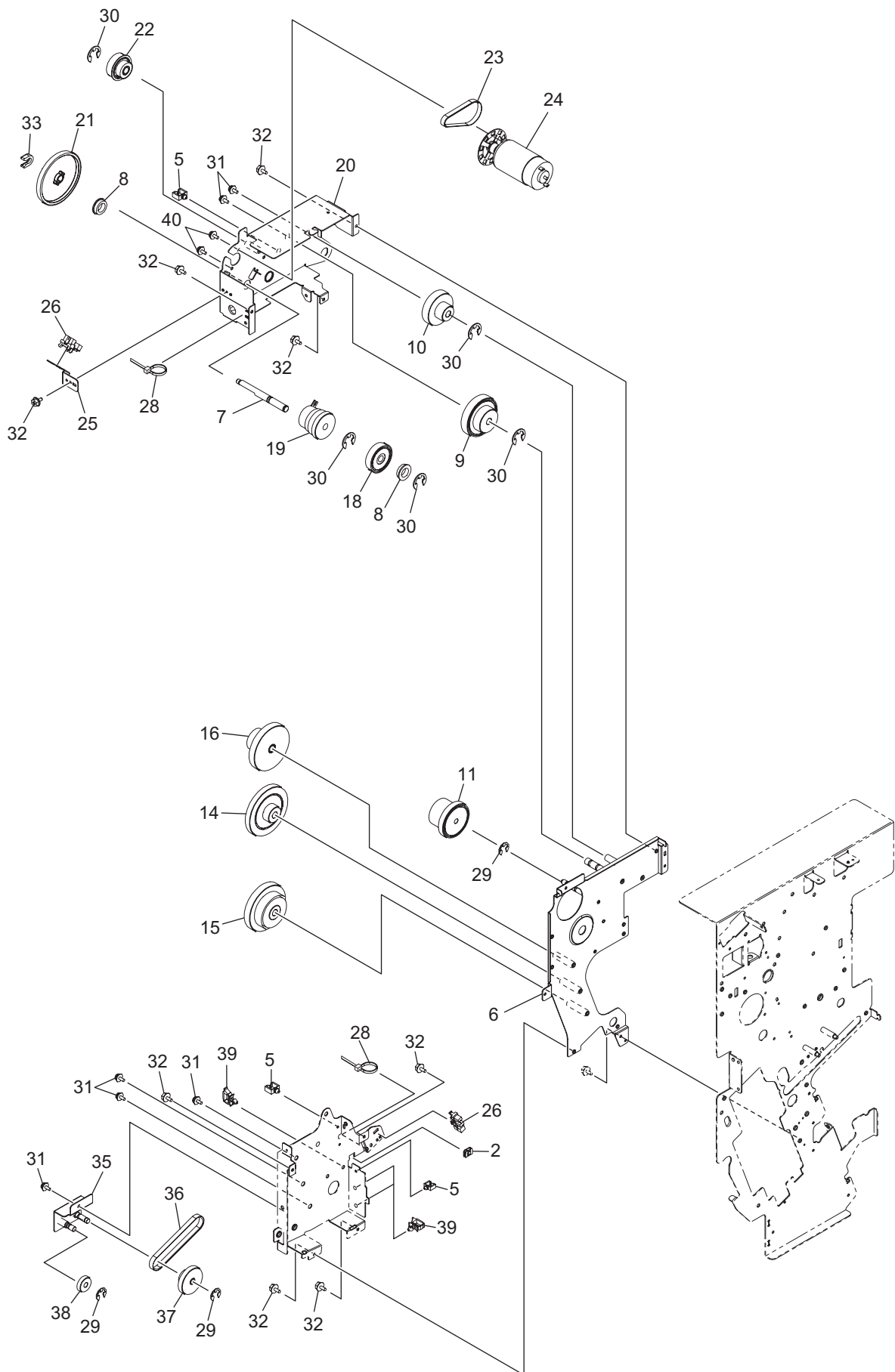
No.	Unit Name	Part Number	Description	Remarks	Reference
1	FRAME-SD-ASM		RAIL-BLADE-FD-R		6LB29917000
2	FRAME-SD-ASM	45729634	S/TPS/FHEXM/R-3X6-ZU3		X0-02419000
3	FRAME-SD-ASM		BRKT8-PLT-FOLD-SDL		6LB29901000
4	FRAME-SD-ASM		LWS-0511S-V0		F0-01810000
5	FRAME-SD-ASM		BLKT-STAPLE-MOUNT-SDL		6LB29603000
6	FRAME-SD-ASM		UAMS-05S-2		F0-00042000
7	FRAME-SD-ASM		PLT-SEN-SLIDE-SDL		6LB30202000
8	FRAME-SD-ASM		LG248NL1		C0-11250000
9	FRAME-SD-ASM		BRKT-SEN-STAY-SDL		6LB30203000
10	FRAME-SD-ASM		SPG-ACTR-SLIDE-SDL		6LB30204000
11	FRAME-SD-ASM		SCREW-SOCKET		4406343540
12	FRAME-SD-ASM	45729644	S/PAN/SWWP-M3X6-ZU3		X0-02551000
13	FRAME-SD-ASM		SKB-1		F0-00521000
14	FRAME-SD-ASM		RLR-FOLD-MAIN-RBT-2		6LH82124000
15	FRAME-SD-ASM		LABEL-GREEN-2-SDL		6LH83029000
16	FRAME-SD-ASM		ARM3-FOLD-ROL-SDL		6LB29911000
17	FRAME-SD-ASM		LINK1-FOLD-ROL-SDL		6LB29916000
18	FRAME-SD-ASM	45729589	S/TPP/FHEXM-3X8-NI		X0-02247000
19	FRAME-SD-ASM		RLR-FOLD-UPR-RBT		6LH82125000
20	FRAME-SD-ASM		PLT1-FOLD-RER-SDL		6LB29903000
21	FRAME-SD-ASM		PLT1-FOLD-FRT-SDL		6LB29902000
22	FRAME-SD-ASM		LNR-1680HHRP0P15LY13		F0-01390000
23	FRAME-SD-ASM		GEAR-25S16-8-SDL		6LB29927000
24	FRAME-SD-ASM		P/PRL/AH7-2X16-SS		X0-01533000
25	FRAME-SD-ASM		PLATE-BLADE-RBT		6LH82123000
26	FRAME-SD-ASM		PLATE-COV-BLADE		6LB29912000
27	FRAME-SD-ASM		SHAFT-BLADE-FOLD		6LB30013000
28	FRAME-SD-ASM		ASYS-BRACKET5-SDL		6LB29977000
29	FRAME-SD-ASM		ASYS-LINK-FOLD-FR-SDL		6LB29978000
30	FRAME-SD-ASM		BUSH-6-NU4		6LH53768000
31	FRAME-SD-ASM	45729579	RR/E-5-SS		X0-00966000
32	FRAME-SD-ASM		ASYS-LINK-FOLD-RR-SDL		6LB29979000
34	FRAME-SD-ASM		SHAFT-BLADE-CAM		6LB30041000
35	FRAME-SD-ASM		CAM-BLADE-SDL		6LB29930000
36	FRAME-SD-ASM		SPG-E-7R6XR6X42R-SDL2		6LB30044000
37	FRAME-SD-ASM		SPG-HRG-P		6LB12051000
38	FRAME-SD-ASM		PLT5-FOLD-SENS-SDL-L		6LB29919100
39	FRAME-SD-ASM		PIN ROUND HEADEJECTOR		FGF-0003001
40	FRAME-SD-ASM		PLT-UNIT-SUPT-SDL		6LB28416000
41	FRAME-SD-ASM		BRKT-UNIT-SUPT-SDL		6LB28426000
42	FRAME-SD-ASM		SFT-UNIT-SUPT-SDL		6LB28445000
43	FRAME-SD-ASM		SPG-UNIT-SUPT-SDL		6LB28428000
44	FRAME-SD-ASM	45729578	RR/E-4-SS		X0-00965000
45	FRAME-SD-ASM	45729580	RR/E-7-SS		X0-00968000
46	FRAME-SD-ASM	45729652	STOP RING		41306265000
47	FRAME-SD-ASM	45729621	P/PRL/AH7-2X12-SS		X0-01526000

This Illustrated Parts Manual is to be used for part identification. Part numbers for the most often used parts are listed. To obtain parts for items that do not list an associated part number contact **Oki Data Technical Support at 866.654.1725** for specific part numbers and part ordering information

No.	Unit Name	Part Number	Description	Remarks	Reference
48	FRAME-SD-ASM		PULLY-S3M20-Y01-SDL		6LB30234000
49	FRAME-SD-ASM		ASY-SDL-574		6LJ89983000
50	FRAME-SD-ASM		SPG-E-14X1R6X45R6R-SDL1		6LB30043000
51	FRAME-SD-ASM		ASYS-ACTR-TRAY-SDL		6LB30227000
52	FRAME-SD-ASM		SPG-TRAY-SEN-Y01-SDL		6LB30226000
53	FRAME-SD-ASM		ACTR-TRAY-LINK-SDL		6LB30223000
54	FRAME-SD-ASM		ACTR-EXT-TRAY-Y01-SDL		6LB30224000
55	FRAME-SD-ASM		ARM-ACTR-TRAY-SDL-L		6LB30225100
56	FRAME-SD-ASM		RR/E-2-SS		X0-00963000
62	FRAME-SD-ASM		SFT-BARR-PLT-BLADE-SDL		6LB30082000
63	FRAME-SD-ASM	45729577	RR/E-3-SS		X0-00964000
64	FRAME-SD-ASM		LWS-1211S-V0		F0-01812000
65	FRAME-SD-ASM		CVR-MAIN-PCB-SDL-1		6LB29623000
66	FRAME-SD-ASM		ESC-0912		F0-01248000
67	FRAME-SD-ASM		BRKT-GUIDE-STAPLE-SDL		6LB29604000
68	FRAME-SD-ASM		ASYS-PLT-FOLD-RLR-SDL		6LB30054000
70	FRAME-SD-ASM		ASYS-BRKT-PJ-SDL		6LB29980000
72	FRAME-SD-ASM	45729559	BUSH-6-POM		44201492000
73	FRAME-SD-ASM	45729610	BUSH-8		4400802080
75	FRAME-SD-ASM		EDS-1717U		F0-00047000
76	FRAME-SD-ASM		S/TPS/FHEXM/R-4X8-ZU3		X0-02421000
100	FRAME-SD-ASM		LABEL-JAM-ACCESS-SDL1		6LH83027000
101	FRAME-SD-ASM		LABEL-STPL-SDL		6LH83026000
102	FRAME-SD-ASM		BUSH-8X12X8F-NU4		6LH23442000
103	FRAME-SD-ASM	45729591	S/PAN/SWWP-M3X8-NI		X0-00077000

This Illustrated Parts Manual is to be used for part identification. Part numbers for the most often used parts are listed. To obtain parts for items that do not list an associated part number contact **Oki Data Technical Support at 866.654.1725** for specific part numbers and part ordering information

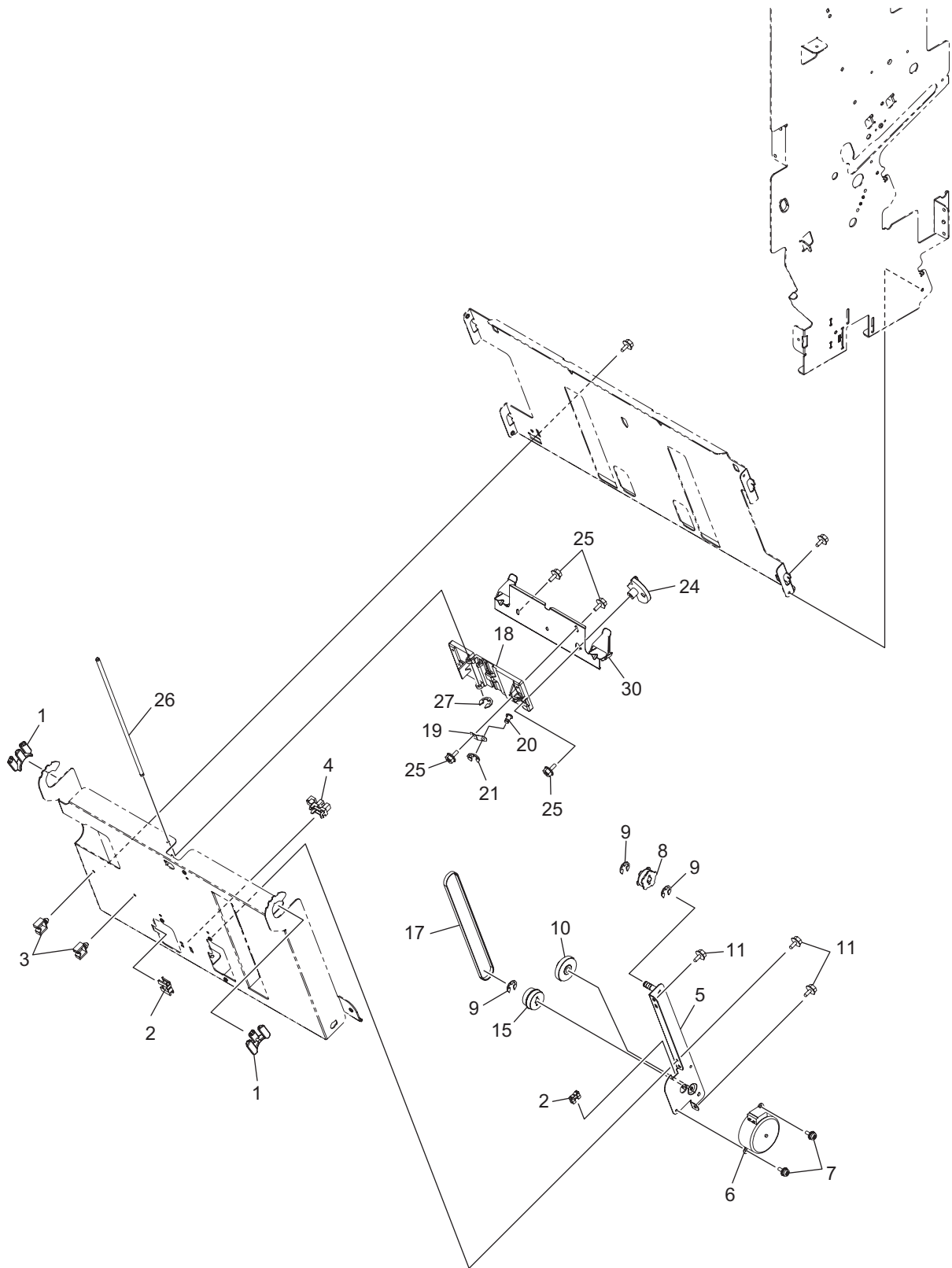
FOLD-GEAR-ASM



No.	Unit Name	Part Number	Description	Remarks	Reference
2	FOLD-GEAR-ASM		DS-02S		F0-01493000
5	FOLD-GEAR-ASM		UAMS-05S-2		F0-00042000
6	FOLD-GEAR-ASM		ASYS-BRKT2-SDL		6LH82113000
7	FOLD-GEAR-ASM		SHAFT-GEAR-FOLD-SDL		6LH82104000
8	FOLD-GEAR-ASM		DDLDF-1280ZZ		F0-01175000
9	FOLD-GEAR-ASM		GEAR-1S50_1S30-8-SDL		6LH82110000
10	FOLD-GEAR-ASM		GEAR-1S41_125S15-8-SDL		6LB29924000
11	FOLD-GEAR-ASM		GEAR-1S44_1S32-6-SDL		6LH82114000
14	FOLD-GEAR-ASM		GEAR-1H60_1S20-8-SDL		6LB29973000
15	FOLD-GEAR-ASM		GEAR-1S60-25S16-8-SDL		6LB29928000
16	FOLD-GEAR-ASM		GEAR-1H55_1H24-8-SDL		6LB29974000
18	FOLD-GEAR-ASM		GEAR-1H33L-8-CLUCH-SDL		6LB29990000
19	FOLD-GEAR-ASM		EL-CLUTCH-SDL		6LB30049000
20	FOLD-GEAR-ASM		ASYS-BRKT1-SDL		6LB30038000
21	FOLD-GEAR-ASM		GEAR-8H80-8-SDL		6LB29975000
22	FOLD-GEAR-ASM		GEAR-8H24_PS2M48-8-SDL		6LB29981000
23	FOLD-GEAR-ASM		BELT-60S2M-152-SDL		6LB30002000
24	FOLD-GEAR-ASM		ASYS-MOTOR-FOLD		6LB30067000
25	FOLD-GEAR-ASM		PLATE2-MTR-SENS-SDL		6LB29907000
26	FOLD-GEAR-ASM		LG248NL1		C0-11250000
28	FOLD-GEAR-ASM		SKB-1		F0-00521000
29	FOLD-GEAR-ASM	45729579	RR/E-5-SS		X0-00966000
30	FOLD-GEAR-ASM	45729580	RR/E-7-SS		X0-00968000
31	FOLD-GEAR-ASM	45729644	S/PAN/SWWP-M3X6-ZU3		X0-02551000
32	FOLD-GEAR-ASM	45729634	S/TPS/FHEXM/R-3X6-ZU3		X0-02419000
33	FOLD-GEAR-ASM		STOP-RING-6-5-POM		6LE49743000
35	FOLD-GEAR-ASM		ASYS-BRKT-GEAR-EX-F-SDL		6LB30263000
36	FOLD-GEAR-ASM		BLT-60S3M-201-SDL		6LB30242000
37	FOLD-GEAR-ASM		PLY-S3M20-GEAR-10S34		6LB30243000
38	FOLD-GEAR-ASM		GEAR-FEED-LOW-8		6LB08607000
39	FOLD-GEAR-ASM		LWS-0511S-V0		F0-01810000
40	FOLD-GEAR-ASM		S/PAN/SWWP-M3X5-NI		X0-00050000

This Illustrated Parts Manual is to be used for part identification. Part numbers for the most often used parts are listed. To obtain parts for items that do not list an associated part number contact **Oki Data Technical Support at 866.654.1725** for specific part numbers and part ordering information

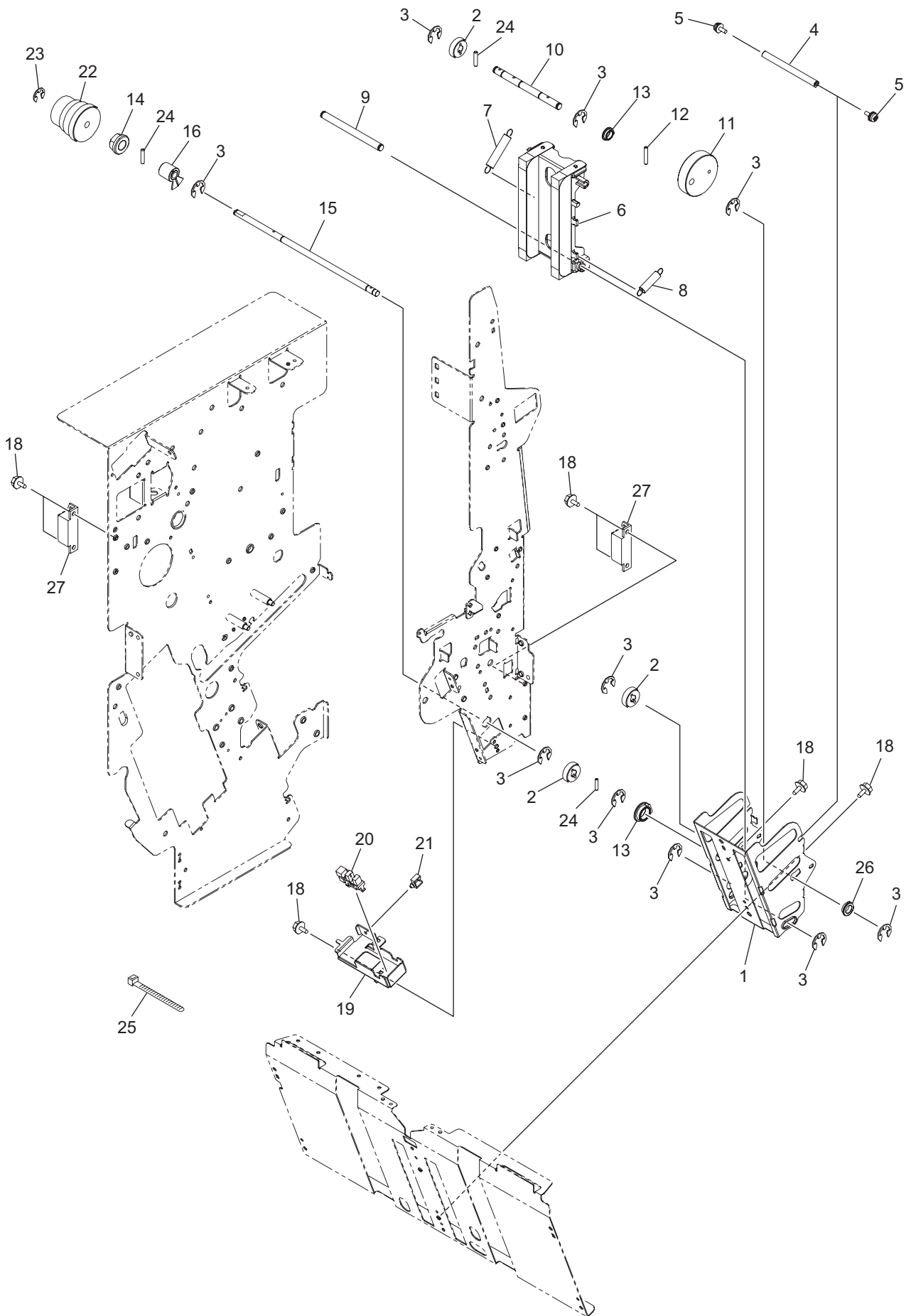
STACK_ASM



No.	Unit Name	Part Number	Description	Remarks	Reference
1	STACK-ASM		BUSH-HANG-STACK-SDL		6LB28101000
2	STACK-ASM		DS-02S		F0-01493000
3	STACK-ASM		UAMS-05S-2		F0-00042000
4	STACK-ASM		LG248NL1		C0-11250000
5	STACK-ASM		ASYS-BRKT-MOTR-STACK-SDL		6LH81903000
6	STACK-ASM		MOTR-PM42-5S16-VI		6LB08400000
7	STACK-ASM		S/PAN/SWWS-M3X6-NI		X0-00059000
8	STACK-ASM		PULLY-S2M30-6-5		6LB08609000
9	STACK-ASM	45729578	RR/E-4-SS		X0-00965000
10	STACK-ASM		GEAR-5S43-5S17-5-SDL		6LB27202000
11	STACK-ASM	45729634	S/TPS/FHEXM/R-3X6-ZU3		X0-02419000
15	STACK-ASM		GEAR-5S40_PS2M30-6-SDL		6LB27201000
17	STACK-ASM		BLT-40S2M-396-SDL		6LB27200000
18	STACK-ASM		CARR-STACK-SDL		6LB29315000
19	STACK-ASM		PLATE-PUSH-CARR-SDL		6LB29302000
20	STACK-ASM		CHIP-TRAY-SLIDE-BUF		6LB09831000
21	STACK-ASM		RR/E-2-SS		X0-00963000
24	STACK-ASM		ADJSTR-STACK-SDL		6LB29300000
25	STACK-ASM	45729587	S/TPP/FHEXM-3X6-NI		X0-02246000
26	STACK-ASM		SHAFT-STACK-SDL		6LB27504000
27	STACK-ASM	45729577	RR/E-3-SS		X0-00964000
30	STACK-ASM		ASYB-ARM-STACK-SDL		6LB29329000

This Illustrated Parts Manual is to be used for part identification. Part numbers for the most often used parts are listed. To obtain parts for items that do not list an associated part number contact **Oki Data Technical Support at 866.654.1725** for specific part numbers and part ordering information

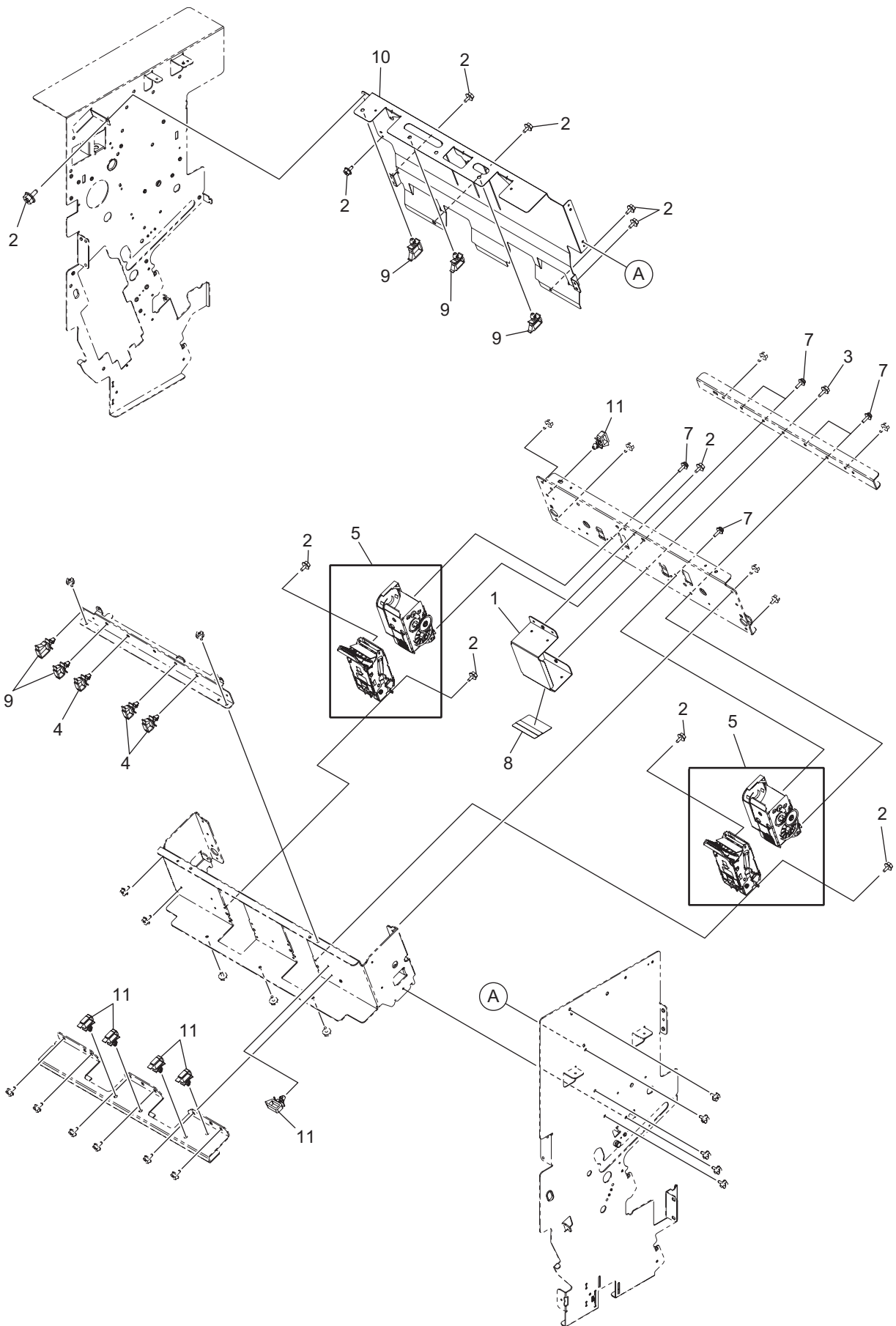
P-PRESS-ASM



No.	Unit Name	Part Number	Description	Remarks	Reference
1	P-PRESS-ASM		ASYS-FRAME-P-PRESS-SDL		6LB29319000
2	P-PRESS-ASM		GEAR-FEED-LOW-6		6LB08608000
3	P-PRESS-ASM	45729579	RR/E-5-SS		X0-00966000
4	P-PRESS-ASM		SHAFT-CAM-UPR-SDL		6LB27507000
5	P-PRESS-ASM		S/PAN/SWWS-M3X6-NI		X0-00059000
6	P-PRESS-ASM		ASYB-BASE-P-PRESS-SDL		6LB29333000
7	P-PRESS-ASM		SPG-P-PRESS-UPR-SDL		6LB27802000
8	P-PRESS-ASM		SPG-P-PRESS-LWR-SDL		6LB27803000
9	P-PRESS-ASM		SHAFT-P-PRESS-SDL		6LB27506000
10	P-PRESS-ASM		SHAFT-CAM-LWR-SDL2		6LH81703000
11	P-PRESS-ASM		CAM-P-PRESS-SDL		6LB29311000
12	P-PRESS-ASM	45729621	P/PRL/AH7-2X12-SS		X0-01526000
13	P-PRESS-ASM		CAM METAL		PVB45-00701
14	P-PRESS-ASM	45729559	BUSH-6-POM		44201492000
15	P-PRESS-ASM		SHAFT-CLUCH-SDL		6LB27509000
16	P-PRESS-ASM		WHEEL-SNSR-P-PRESS-SDL-L		6LB29310100
18	P-PRESS-ASM	45729634	S/TPS/FHEXM/R-3X6-ZU3		X0-02419000
19	P-PRESS-ASM		BRKT-SNSR-P-PRESS-SDL		6LB29312000
20	P-PRESS-ASM		LG248NL1		C0-11250000
21	P-PRESS-ASM		UAMS-05S-2		F0-00042000
22	P-PRESS-ASM		EL-CLUTCH-SHUT-TRAY		6LB11048000
23	P-PRESS-ASM		RR/E-4-SS		X0-00965000
24	P-PRESS-ASM		P/PRL/AH7-2X10-SS		X0-00980000
25	P-PRESS-ASM		SKB-1		F0-00521000
26	P-PRESS-ASM		BUSH-6X8X3F-POM		6LH79100000
27	P-PRESS-ASM		CA-0124B		F0-01393000

This Illustrated Parts Manual is to be used for part identification. Part numbers for the most often used parts are listed. To obtain parts for items that do not list an associated part number contact **Oki Data Technical Support at 866.654.1725** for specific part numbers and part ordering information

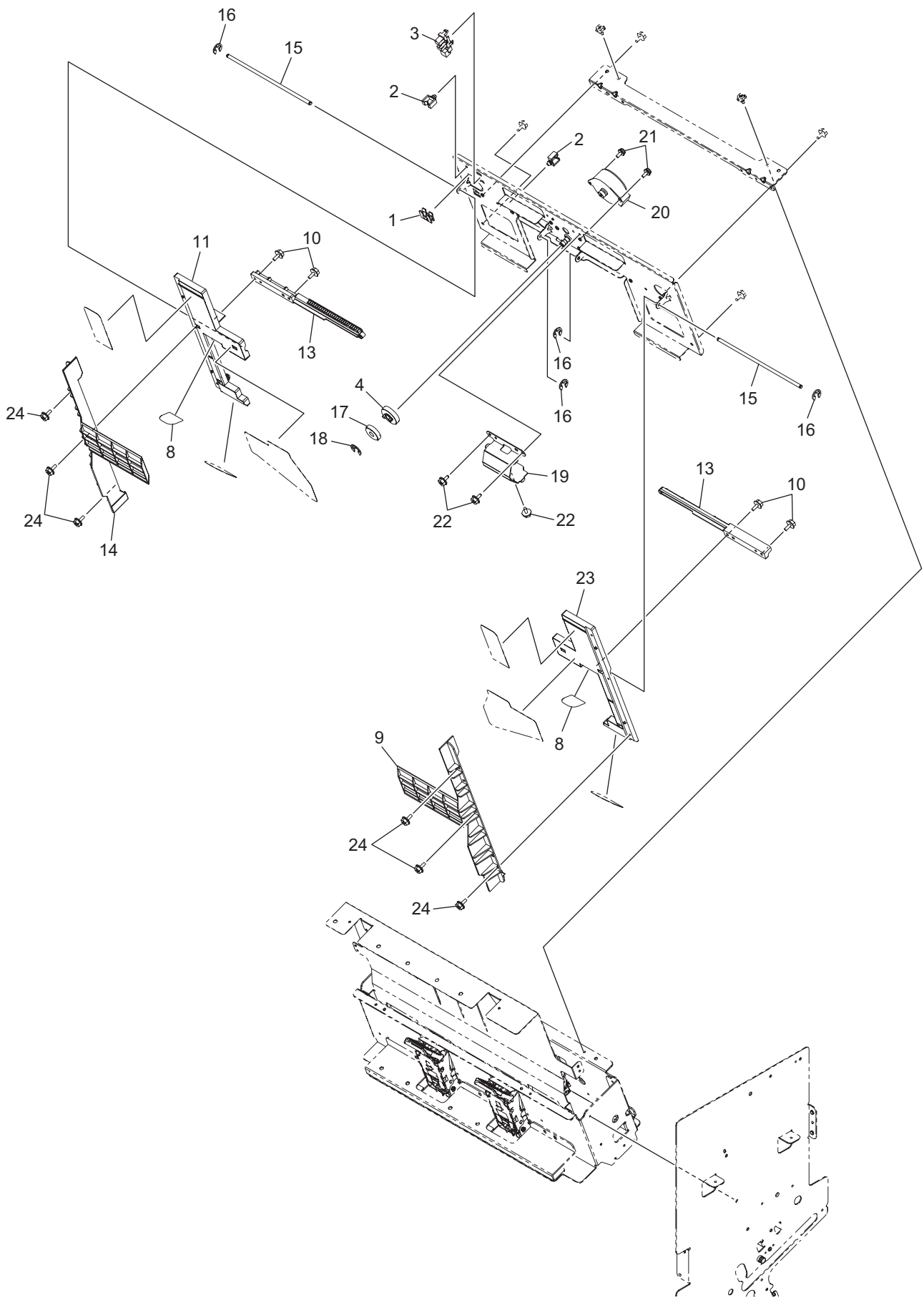
STAPLE-ASM-SDL



No.	Unit Name	Part Number	Description	Remarks	Reference
1	STAPLE-ASM-SDL		PLT-GUIDE-STPLE-UP		6LB29607000
2	STAPLE-ASM-SDL	45729634	S/TPS/FHEXM/R-3X6-ZU3		X0-02419000
3	STAPLE-ASM-SDL	45729639	S/TPS/FHEXM/R-3X8-ZU3		X0-02420000
4	STAPLE-ASM-SDL		LWS-0711S-V0		F0-01811000
5	STAPLE-ASM-SDL		STAPLE_EH-C185T2		6LH79101000
7	STAPLE-ASM-SDL	45729591	S/PAN/SWWP-M3X8-NI		X0-00077000
8	STAPLE-ASM-SDL		FILM-STAPLE-UP		6LB29615000
9	STAPLE-ASM-SDL		LWS-3S-V0		F0-01715000
10	STAPLE-ASM-SDL		PLT-GUIDE-STAPLE2-GXKS		6LB29632100
11	STAPLE-ASM-SDL		LWS-0511S-V0		F0-01810000

This Illustrated Parts Manual is to be used for part identification. Part numbers for the most often used parts are listed. To obtain parts for items that do not list an associated part number contact **Oki Data Technical Support at 866.654.1725** for specific part numbers and part ordering information

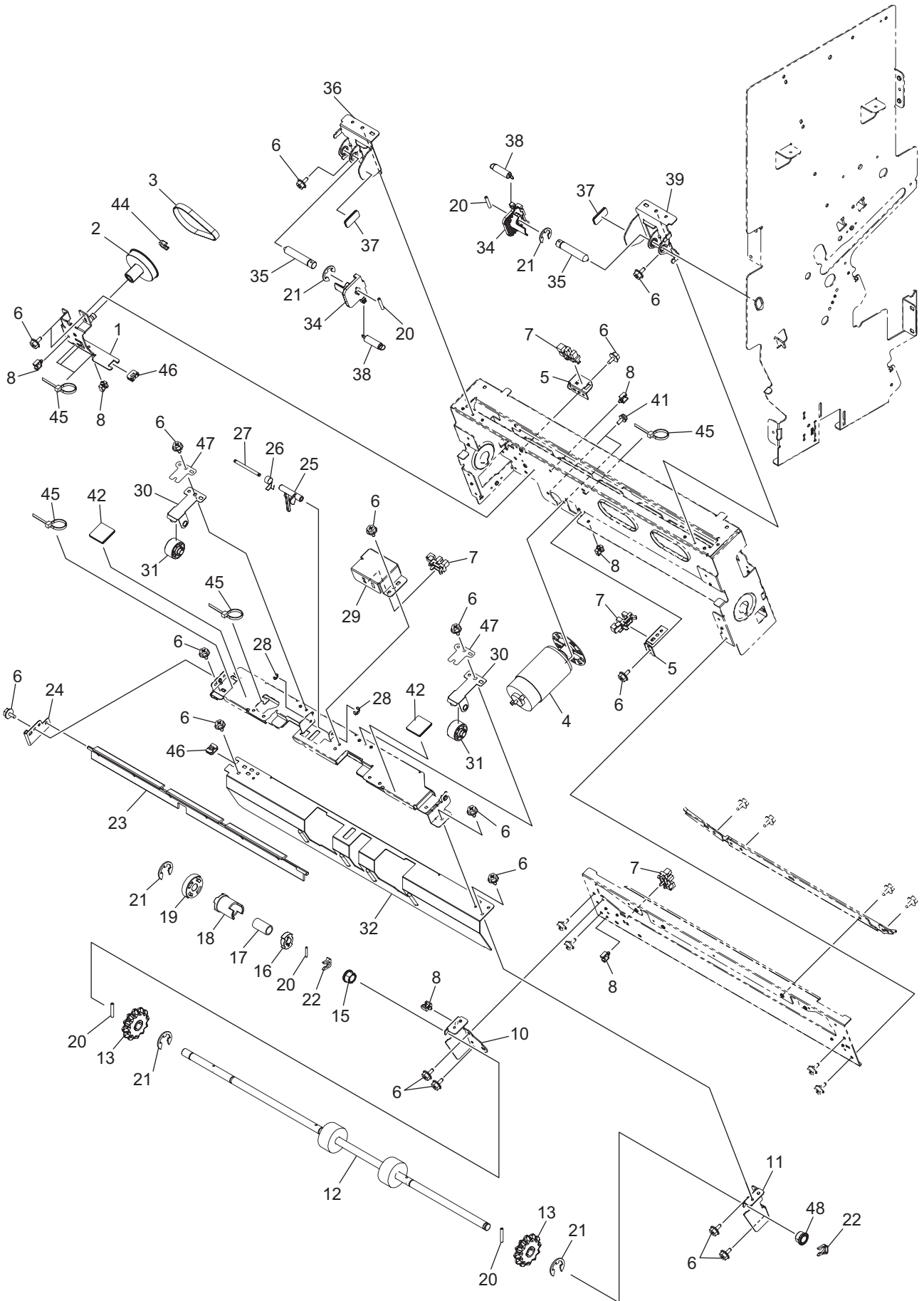
SORT-ASYM-SD



No.	Unit Name	Part Number	Description	Remarks	Reference
1	SORT-ASYM-SD		DS-02S		F0-01493000
2	SORT-ASYM-SD		UAMS-05S-2		F0-00042000
3	SORT-ASYM-SD		LG248NL1		C0-11250000
4	SORT-ASYM-SD		GEAR-5S40-6-SO		6LB08601000
8	SORT-ASYM-SD		FILM-P-PRESS-UPR-SDL		6LB29020000
9	SORT-ASYM-SD		LID-GUIDE-P-SIDE-FR-SDL2		6LB29030000
10	SORT-ASYM-SD	45729587	S/TPP/FHEXM-3X6-NI		X0-02246000
11	SORT-ASYM-SD		CARR-GUIDE-P-SIDE-RR-SDL		6LB29008000
13	SORT-ASYM-SD		RACK-GUIDE-P-SIDE-SDL		6LB29006000
14	SORT-ASYM-SD		LID-GUIDE-P-SIDE-RR-SDL2		6LB29031000
15	SORT-ASYM-SD		SHAFT-GUIDE-P-SIDE-SDL		6LB27501000
16	SORT-ASYM-SD	45729577	RR/E-3-SS		X0-00964000
17	SORT-ASYM-SD		GEAR-10S16-6-SO		6LB08600000
18	SORT-ASYM-SD	45729579	RR/E-5-SS		X0-00966000
19	SORT-ASYM-SD		PLATE-GUIDE-P-SIDE-SDL		6LB29004000
20	SORT-ASYM-SD		MOTR-PM42-5S16-VI		6LB08400000
21	SORT-ASYM-SD		S/PAN/SWWS-M3X6-NI		X0-00059000
22	SORT-ASYM-SD	45729634	S/TPS/FHEXM/R-3X6-ZU3		X0-02419000
23	SORT-ASYM-SD		CARR-GUIDE-P-SIDE-FR-SDL		6LB29007000
24	SORT-ASYM-SD	45729589	S/TPP/FHEXM-3X8-NI		X0-02247000

This Illustrated Parts Manual is to be used for part identification. Part numbers for the most often used parts are listed. To obtain parts for items that do not list an associated part number contact **Oki Data Technical Support at 866.654.1725** for specific part numbers and part ordering information

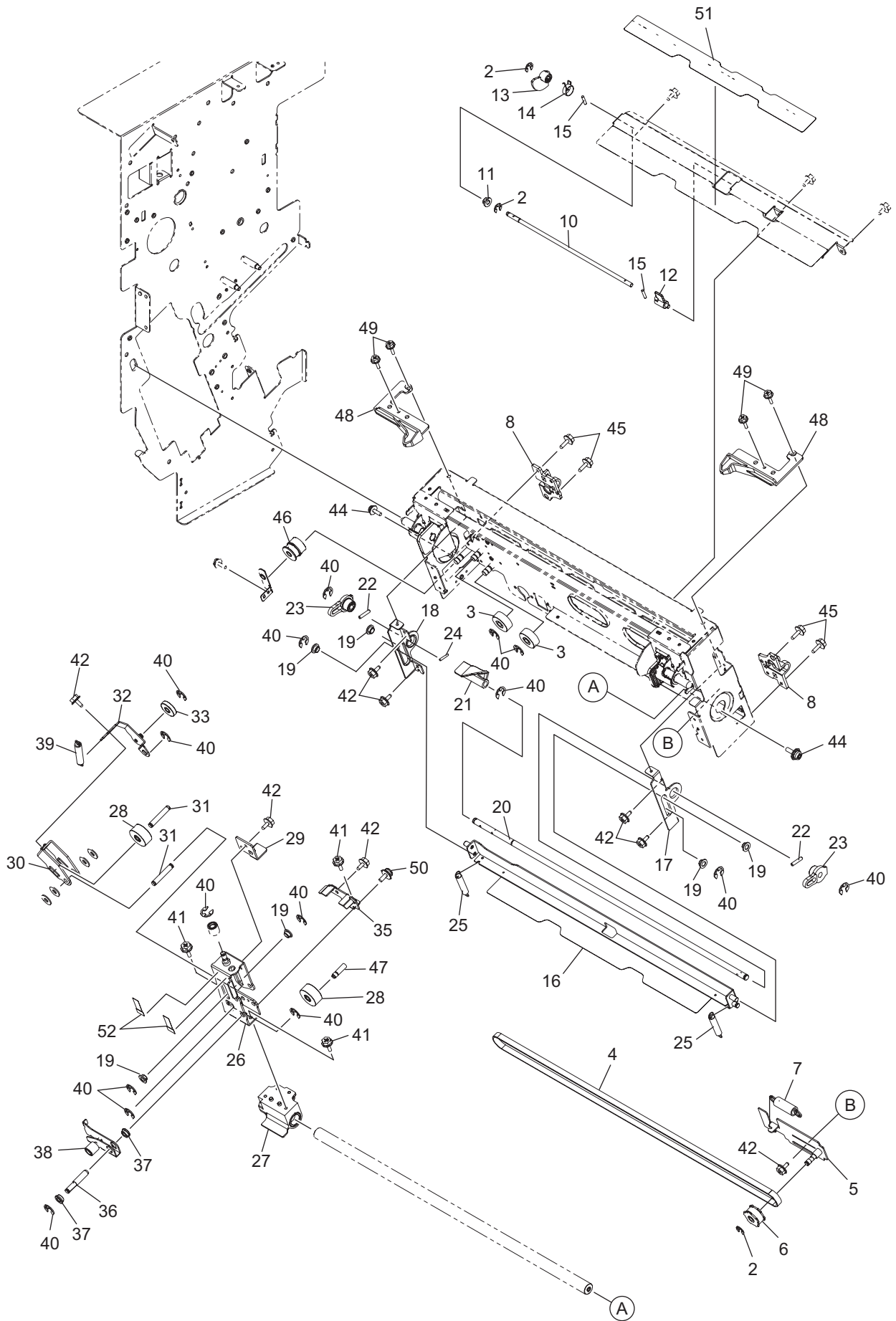
EFS-SDL-1-ASM



No.	Unit Name	Part Number	Description	Remarks	Reference
1	EFS-SDL-1-ASM		ASYS-BRKT7-EFS		6LB29993000
2	EFS-SDL-1-ASM		GEAR-S2M60_5S24-6-EFS		6LB29959000
3	EFS-SDL-1-ASM		BELT-60S2M-156-EFS		6LB30003000
4	EFS-SDL-1-ASM		ASYS-MOTOR-EFS		6LB30062000
5	EFS-SDL-1-ASM		BRKT6-EFS		6LB29938000
6	EFS-SDL-1-ASM	45729634	S/TPS/FHEXM/R-3X6-ZU3		X0-02419000
7	EFS-SDL-1-ASM		LG248NL1		C0-11250000
8	EFS-SDL-1-ASM		UAMS-05S-2		F0-00042000
10	EFS-SDL-1-ASM		BRKT-EX-F-RER-SDL		6LB30237000
11	EFS-SDL-1-ASM		BRKT-EX-F-FRT-SDL		6LB30236000
12	EFS-SDL-1-ASM		RLR-EX-F-SDL		6LH78708000
13	EFS-SDL-1-ASM		RLR-COL-EX-F-SDL-RBT		6LH82200000
15	EFS-SDL-1-ASM		BUSH-8X12X8F-NU4		6LH23442000
16	EFS-SDL-1-ASM		RCHT-STAY-EX-F-SDL		6LB30233000
17	EFS-SDL-1-ASM		SPG-RCHT-EX-F-SDL		6LB27804000
18	EFS-SDL-1-ASM		RCHT-SLIDE-EX-F-SDL		6LB30232000
19	EFS-SDL-1-ASM		GEAR-RCHT-10S25-SDL		6LB30235000
20	EFS-SDL-1-ASM	45729621	P/PRL/AH7-2X12-SS		X0-01526000
21	EFS-SDL-1-ASM	45729580	RR/E-7-SS		X0-00968000
22	EFS-SDL-1-ASM	45729652	STOP RING		41306265000
23	EFS-SDL-1-ASM		BRIR-ROD-EX-F-SDL-F5330		6LB30245100
24	EFS-SDL-1-ASM		PLT-BURR-ROD-EX-F-SDL		6LB30244000
25	EFS-SDL-1-ASM		ACTR-EX-F-SDL		6LB30247000
26	EFS-SDL-1-ASM		SPG-ACTR-EX-F-SDL		6LB30239000
27	EFS-SDL-1-ASM		SHAFT-ACTR-EX-F-SDL		6LB30238000
28	EFS-SDL-1-ASM		RR/E-2-SS		X0-00963000
29	EFS-SDL-1-ASM		PLT-SEN-EX-F-SDL_VE		6LB30275000
30	EFS-SDL-1-ASM		PLATE-RLR-SDL-035		6LH81725000
31	EFS-SDL-1-ASM		RLR-D20XL16-SDL		6LH82126000
32	EFS-SDL-1-ASM		PLT-GID-LOW-EX-F-SDL		6LB30246000
34	EFS-SDL-1-ASM		LEVER-PIVOT-SDL2		6LB29968100
35	EFS-SDL-1-ASM		PIVOT-SDL		6LB30010000
36	EFS-SDL-1-ASM		PLT7-ROD-RER-SDL		6LB29954000
37	EFS-SDL-1-ASM		LABEL-GREEN-1		6LH83031000
38	EFS-SDL-1-ASM		SPG-E-7R2XR6X26R4R-EFS7		6LB30063000
39	EFS-SDL-1-ASM		PLT7-ROD-FRT-SDL		6LB29948000
41	EFS-SDL-1-ASM		S/PAN/SWWP-M3X5-NI		X0-00050000
42	EFS-SDL-1-ASM		LABEL-GREEN-1-SDL		6LH83028000
44	EFS-SDL-1-ASM		STOP-RING-6-5-POM		6LE49743000
45	EFS-SDL-1-ASM		SKB-1		F0-00521000
46	EFS-SDL-1-ASM		DS-02S		F0-01493000
47	EFS-SDL-1-ASM		PLATE-SUPT-RLR-SDL		6LB30130000
48	EFS-SDL-1-ASM	45729610	BUSH-8		4400802080

This Illustrated Parts Manual is to be used for part identification. Part numbers for the most often used parts are listed. To obtain parts for items that do not list an associated part number contact **Oki Data Technical Support at 866.654.1725** for specific part numbers and part ordering information

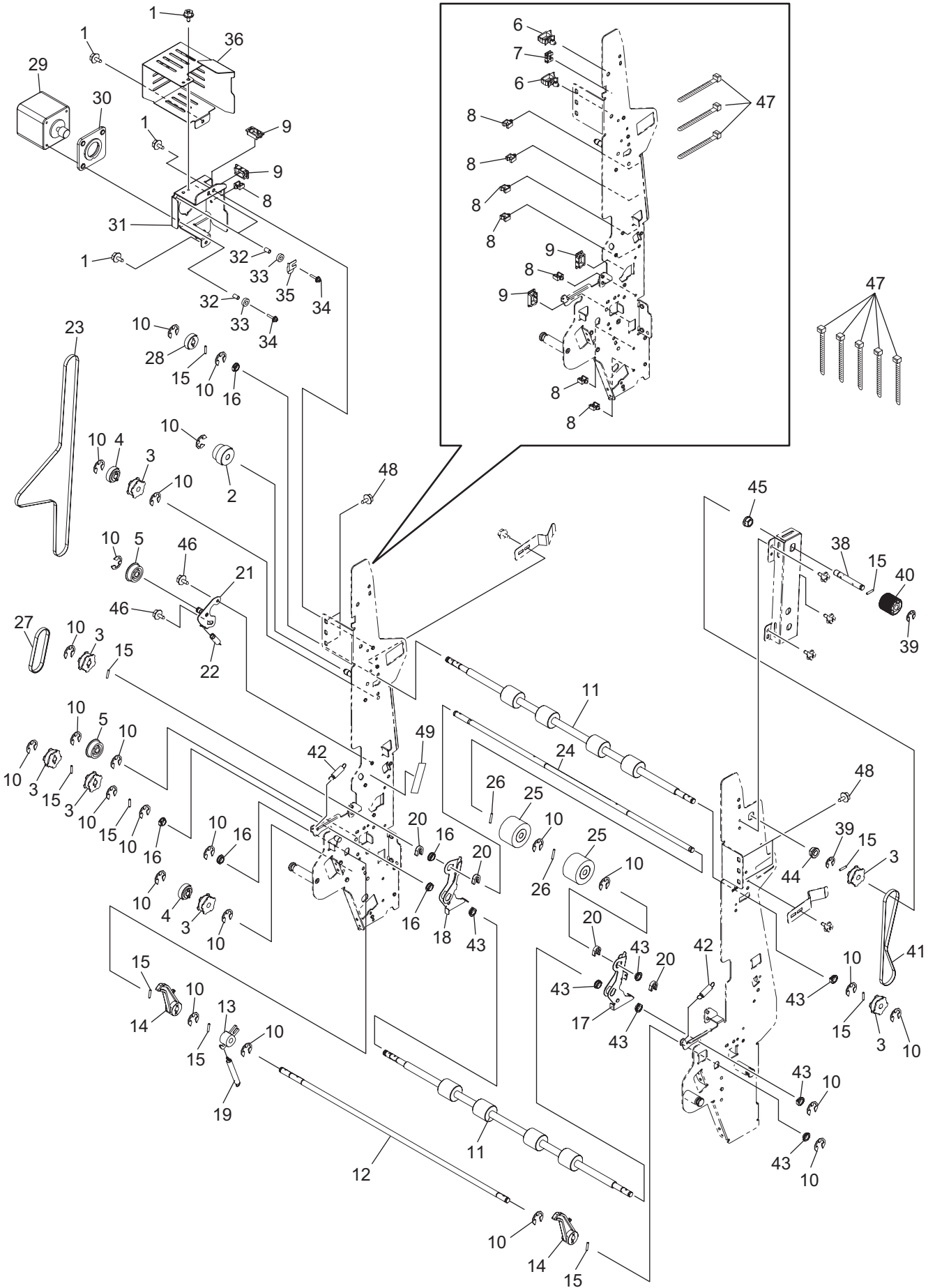
EFS-SDL-2-ASM



No.	Unit Name	Part Number	Description	Remarks	Reference
2	EFS-SDL-2-ASM	45729577	RR/E-3-SS		X0-00964000
3	EFS-SDL-2-ASM		GEAR-5S34-6-EFS		6LB30074000
4	EFS-SDL-2-ASM		BELT-60S3M-852-EFS		6LB30004000
5	EFS-SDL-2-ASM		ASYS-PLT-PLY-EFS		6LB30037000
6	EFS-SDL-2-ASM		PLY-CARR-STPL		6LB08619000
7	EFS-SDL-2-ASM		SPG-CARR-STPL		6LB09006000
8	EFS-SDL-2-ASM		BRKT11-PJ-SDL		6LB29967000
10	EFS-SDL-2-ASM		SHAFT1-SENS-EFS		6LB30016000
11	EFS-SDL-2-ASM		BUSH-0410-05F-M		6LA02920000
12	EFS-SDL-2-ASM		ACTR1-EFS		6LB29961000
13	EFS-SDL-2-ASM		ACTR2-EFS		6LB29962000
14	EFS-SDL-2-ASM		SPG-T-11R5XR55X5R5L-SDL3		6LB30045000
15	EFS-SDL-2-ASM		P/PRL/AH7-1.6X8-SS		X0-01164000
16	EFS-SDL-2-ASM		ASYS-PLT3-FILM3-EFS		6LB30065000
17	EFS-SDL-2-ASM		BRKT10-FRT-EFS		6LB29945000
18	EFS-SDL-2-ASM		BRKT10-RER-EFS		6LB29946000
19	EFS-SDL-2-ASM		BUSH-05-07-03-F		6LA36807000
20	EFS-SDL-2-ASM		SHAFT9-EFS		6LB30021000
21	EFS-SDL-2-ASM		LEVER2-EFS		6LB29960000
22	EFS-SDL-2-ASM		P/PRL/AH7-2X10-SS		X0-00980000
23	EFS-SDL-2-ASM		LEVER1-EFS		6LB29958000
24	EFS-SDL-2-ASM	45729621	P/PRL/AH7-2X12-SS		X0-01526000
25	EFS-SDL-2-ASM		SPG-E-6R6XR5X23R7-EFS4		6LB30046000
26	EFS-SDL-2-ASM		ASYS-FRAME3-CA-EFS		6LB29985000
27	EFS-SDL-2-ASM		ASYS-CARRIER-EFS		6LB30040000
28	EFS-SDL-2-ASM		ROLLER2-EFS		6LB29964000
29	EFS-SDL-2-ASM		BRACKET1-EFS-GXKS		6LB29942100
30	EFS-SDL-2-ASM		ARM1N-EFS		6LB29944000
31	EFS-SDL-2-ASM		SHAFT1-EFS		6LB30014000
32	EFS-SDL-2-ASM		ASYS-PLATE1-EFS		6LB29995000
33	EFS-SDL-2-ASM		ROLLER1-EFS		6LB29963000
35	EFS-SDL-2-ASM		PLATE2-EFS		6LB29940000
36	EFS-SDL-2-ASM		SHAFT3-EFS		6LB30017000
37	EFS-SDL-2-ASM		BUSH-5X8X4R2F-GCB-NU4		6LH23440000
38	EFS-SDL-2-ASM		ASYS-ARM2-EFS		6LB29998000
39	EFS-SDL-2-ASM		SPG-E-7X1X46R3R-EFS6		6LB30047000
40	EFS-SDL-2-ASM	45729578	RR/E-4-SS		X0-00965000
41	EFS-SDL-2-ASM	45729589	S/TPP/FHEXM-3X8-NI		X0-02247000
42	EFS-SDL-2-ASM	45729634	S/TPS/FHEXM/R-3X6-ZU3		X0-02419000
44	EFS-SDL-2-ASM	45729591	S/PAN/SWWP-M3X8-NI		X0-00077000
45	EFS-SDL-2-ASM	45729639	S/TPS/FHEXM/R-3X8-ZU3		X0-02420000
46	EFS-SDL-2-ASM		PLY-S3M20-GEAR-5S40-EFS		6LB30075000
47	EFS-SDL-2-ASM		SHAFT4-EFS		6LB30018000
48	EFS-SDL-2-ASM		RETAINER-EFS-SDL		6LB30087000
49	EFS-SDL-2-ASM		S/TPD3/FHEXM-3X10-ZU3		X0-02594000
50	EFS-SDL-2-ASM	45729644	S/PAN/SWWP-M3X6-ZU3		X0-02551000
51	EFS-SDL-2-ASM		FILM4-EFS		6LB30007000
52	EFS-SDL-2-ASM		BURUSH-CVR-FRM-FR		6LB10645000

This Illustrated Parts Manual is to be used for part identification. Part numbers for the most often used parts are listed. To obtain parts for items that do not list an associated part number contact **Oki Data Technical Support at 866.654.1725** for specific part numbers and part ordering information

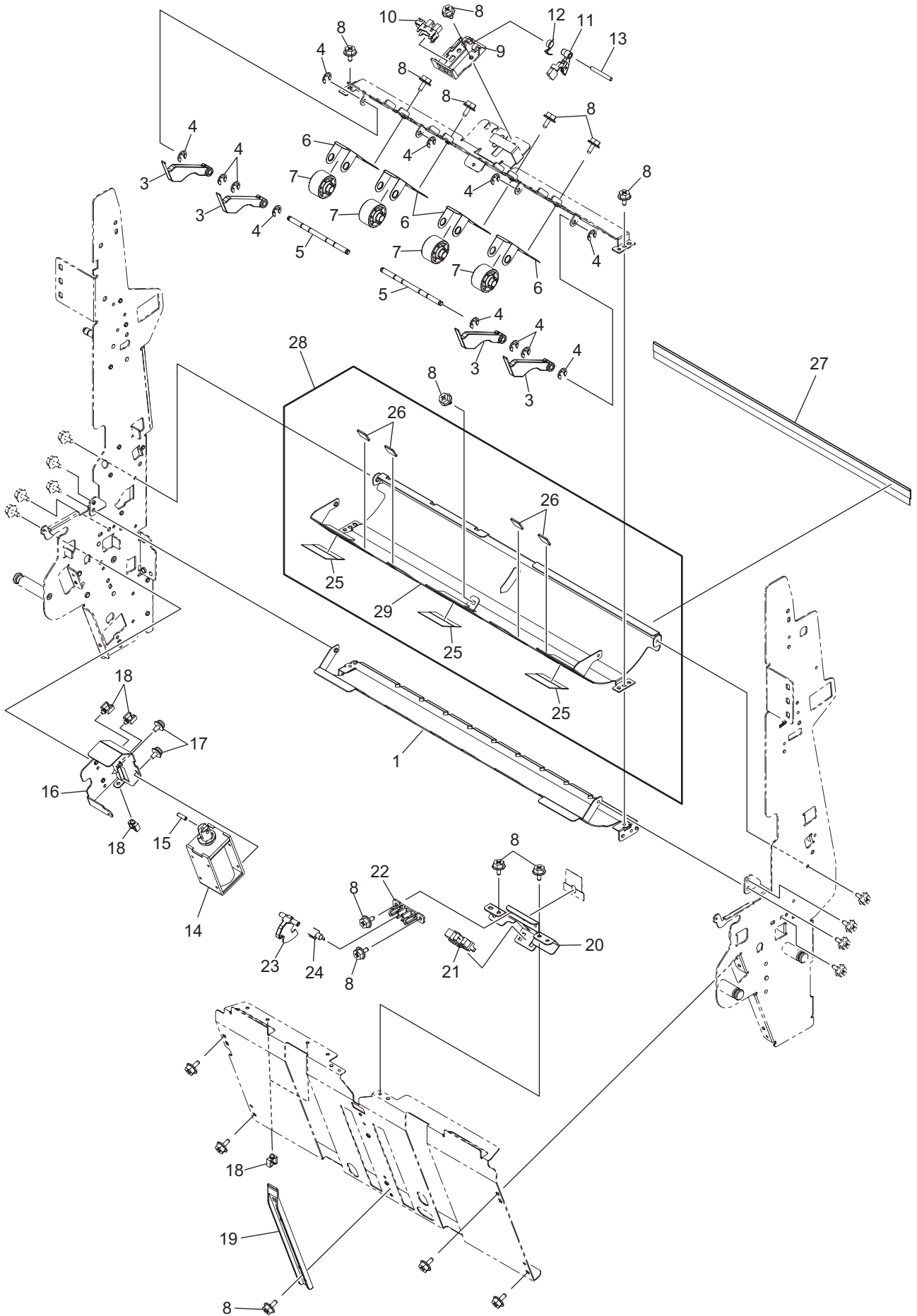
SW-BACK-1-ASM



No.	Unit Name	Part Number	Description	Remarks	Reference
1	SW-BACK-1-ASM	45729634	S/TPS/FHEXM/R-3X6-ZU3		X0-02419000
2	SW-BACK-1-ASM		GEAR-FEED-LOW-1		6LB08603000
3	SW-BACK-1-ASM		PULLY-S2M30-6-5		6LB08609000
4	SW-BACK-1-ASM		GEAR-FEED-SW-SDL		6LB27203000
5	SW-BACK-1-ASM		PULLY-TEN-S2M30-6-5		6LB08610000
6	SW-BACK-1-ASM		LWS-0511S-V0		F0-01810000
7	SW-BACK-1-ASM		DS-02S		F0-01493000
8	SW-BACK-1-ASM		UAMS-05S-2		F0-00042000
9	SW-BACK-1-ASM		ESC-0912		F0-01248000
10	SW-BACK-1-ASM	45729579	RR/E-5-SS		X0-00966000
11	SW-BACK-1-ASM		RLR-FEED-SWBK-SDL		6LH78710000
12	SW-BACK-1-ASM		SFT-ASST-RLR-MG-SDL		6LB28737000
13	SW-BACK-1-ASM		PLT-AST-RLR-MG-SDL		6LB28723000
14	SW-BACK-1-ASM		PLT-AST-ARM-MG-SDL		6LB28722000
15	SW-BACK-1-ASM		P/PRL/AH7-2X10-SS		X0-00980000
16	SW-BACK-1-ASM		CAM METAL		PVB45-00701
17	SW-BACK-1-ASM		ASYS-AST-ARM-FRT-SDL		6LB28749000
18	SW-BACK-1-ASM		ASYS-AST-ARM-RER-SDL		6LB28748000
19	SW-BACK-1-ASM		SPG-AST-RLR-MG-SDL		6LB28743000
20	SW-BACK-1-ASM		STOP-RING-6-5-POM		6LE49743000
21	SW-BACK-1-ASM		ASYS-TENS-JBP-PIT		6LB42515000
22	SW-BACK-1-ASM		SPG-FLP-BU-C		6LB10826000
23	SW-BACK-1-ASM		BLT-40-S2M-630		6LB28741000
24	SW-BACK-1-ASM		SFT-AST-RLR-SWBK-SDL		6LB28738000
25	SW-BACK-1-ASM		ASYS-AST-RLR-SW-DG		6LB28747000
26	SW-BACK-1-ASM	45729621	P/PRL/AH7-2X12-SS		X0-01526000
27	SW-BACK-1-ASM		BLT-40-S2M-130		6LB28740000
28	SW-BACK-1-ASM		GEAR-FEED-LOW-6		6LB08608000
29	SW-BACK-1-ASM		MOTR-S-FEED-2		6LK01402000
30	SW-BACK-1-ASM		DUMPER_MOTOR_4212		6LB09850000
31	SW-BACK-1-ASM		BRKT-FEED-MTR-SW-SDL		6LB28708000
32	SW-BACK-1-ASM		3382330-30065		F0-01634000
33	SW-BACK-1-ASM		DUMPER_SCREW		6LB09852000
34	SW-BACK-1-ASM		S/PAN/SWWP-M3X12-NI		X0-02030000
35	SW-BACK-1-ASM		PLT-EARTH-MTR		6LB09885000
36	SW-BACK-1-ASM		COVER-FEED-MTR-SWBK		6LB28734000
38	SW-BACK-1-ASM		SFT-KNOB-SWBK-SDL		6LB28739000
39	SW-BACK-1-ASM	45729578	RR/E-4-SS		X0-00965000
40	SW-BACK-1-ASM		KNOB-PIT2		6LB42518100
41	SW-BACK-1-ASM		BLT-40-S2M-272		6LB09614000
42	SW-BACK-1-ASM		SPG-ASST-RLR-ARM-SDL		6LB28742000
43	SW-BACK-1-ASM		BUSH-6X8X3F-POM		6LH79100000
44	SW-BACK-1-ASM		BUSH-6-NU4		6LH53768000
45	SW-BACK-1-ASM	45729559	BUSH-6-POM		44201492000
46	SW-BACK-1-ASM		S/PAN/SWWS-M3X6-NI		X0-00059000
47	SW-BACK-1-ASM		SKB-1		F0-00521000
48	SW-BACK-1-ASM		S/TPS/FHEXM/R-4X8-ZU3		X0-02421000
49	SW-BACK-1-ASM		SHEET-FRM-JCT-PIT		6LB42537000

This Illustrated Parts Manual is to be used for part identification. Part numbers for the most often used parts are listed. To obtain parts for items that do not list an associated part number contact **Oki Data Technical Support at 866.654.1725** for specific part numbers and part ordering information

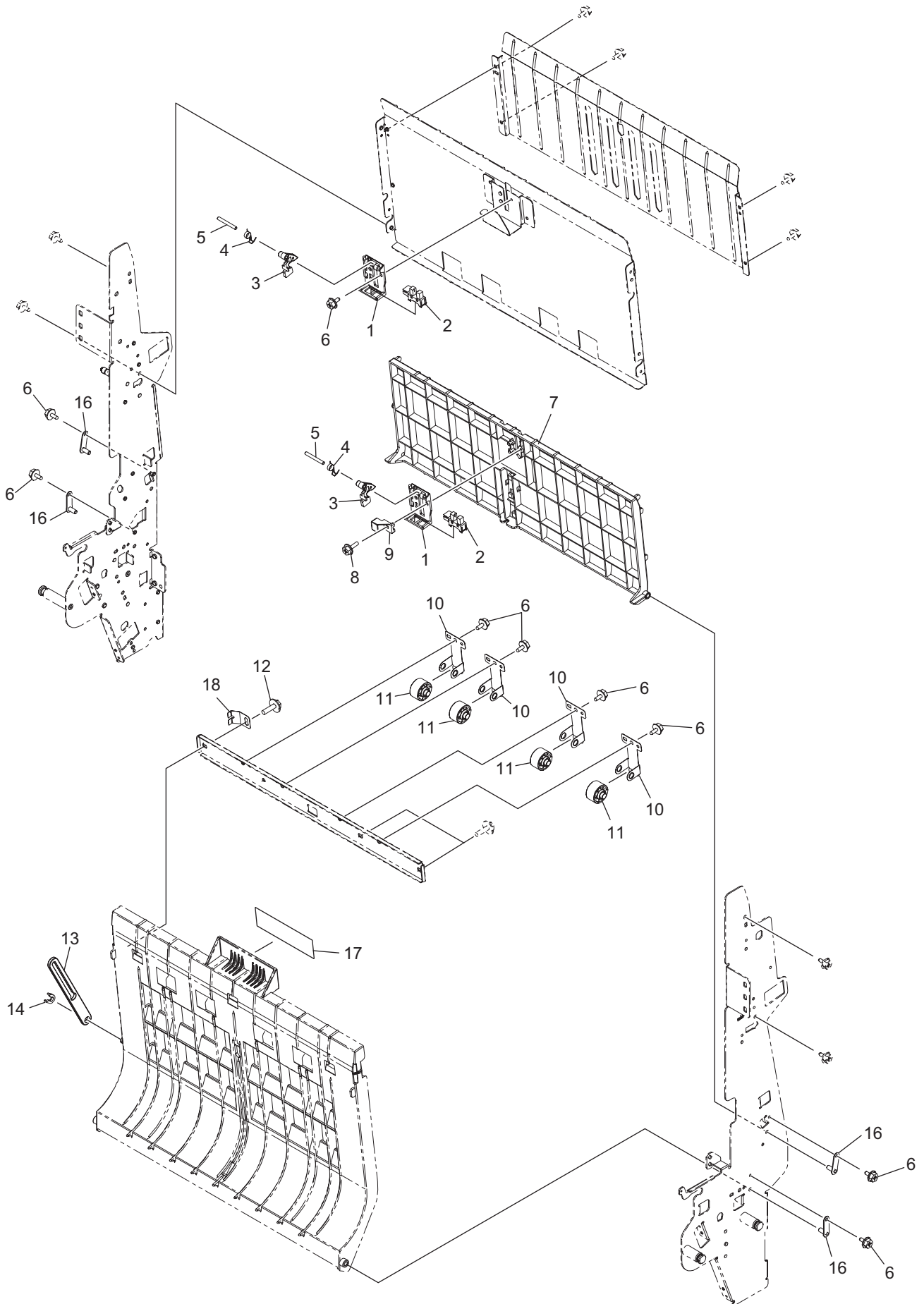
SW-BACK-2-ASM



No.	Unit Name	Part Number	Description	Remarks	Reference
1	SW-BACK-2-ASM		GID-FEED-LOW-SWBK-GXKS		6LB28709100
3	SW-BACK-2-ASM		GUIDE-FLAP-EXIT-SDL		6LB28717000
4	SW-BACK-2-ASM	45729577	RR/E-3-SS		X0-00964000
5	SW-BACK-2-ASM		SFT-FLAP-SWBK-SDL		6LB28735000
6	SW-BACK-2-ASM		PLATE-RLR-SDL-035		6LH81725000
7	SW-BACK-2-ASM		RLR-D20XL16-SDL		6LH82126000
8	SW-BACK-2-ASM	45729634	S/TPS/FHEXM/R-3X6-ZU3		X0-02419000
9	SW-BACK-2-ASM		PLT-SEN-A-BU-C		6LB10808000
10	SW-BACK-2-ASM		GP1A73ARJ00F		C0-10813000
11	SW-BACK-2-ASM		ACT-SENS-PIT		6LB42542000
12	SW-BACK-2-ASM		SPG-AC-BU-C		6LB10824000
13	SW-BACK-2-ASM		P/PRL/AH7-3X25-SS		X0-02380000
14	SW-BACK-2-ASM		SOL-10E-SWBK-SDL		6LB30800000
15	SW-BACK-2-ASM		P/SPW/AW-3X10-SS		X0-01016000
16	SW-BACK-2-ASM		BRKT-AST-MG-SWBK-SDL2		6LB28712100
17	SW-BACK-2-ASM		S/PAN/SWWP-M3X5-NI		X0-00050000
18	SW-BACK-2-ASM		UAMS-05S-2		F0-00042000
19	SW-BACK-2-ASM		GID-RIB-REAR-SWBK		6LB28718000
20	SW-BACK-2-ASM		BRKT-P-SNSR-SDL		6LB29306000
21	SW-BACK-2-ASM		LG248NL1		C0-11250000
22	SW-BACK-2-ASM		HLDR-P-SNSR-SDL		6LB29307000
23	SW-BACK-2-ASM		ACTR-P-SNSR-SDL		6LB29304000
24	SW-BACK-2-ASM		SPG-P-SNSR-SDL		6LB27801000
25	SW-BACK-2-ASM		BRUSH-EXT-RLR-SW-SDL		6LB28745000
26	SW-BACK-2-ASM		FELT-SOL-BU-C		6LB09954000
27	SW-BACK-2-ASM		BRUSH-FEED-LOW-SWBK		6LB28768000
28	SW-BACK-2-ASM		ASYB-GID-FEED-LOW-UP-PIT		6LB28758000
29	SW-BACK-2-ASM		GID-FEED-LOW-UP-GXKS		6LB28713100

This Illustrated Parts Manual is to be used for part identification. Part numbers for the most often used parts are listed. To obtain parts for items that do not list an associated part number contact **Oki Data Technical Support at 866.654.1725** for specific part numbers and part ordering information

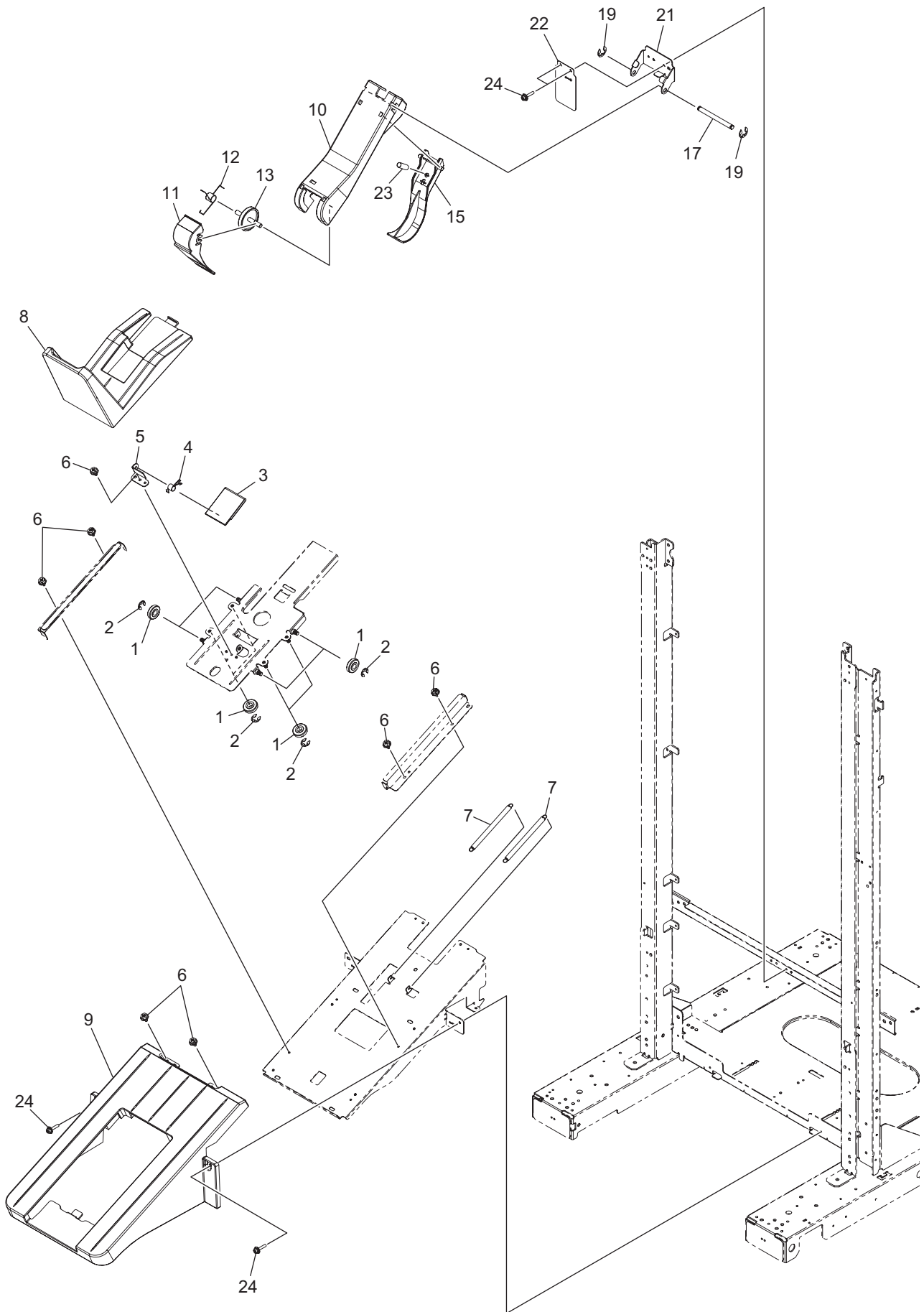
SW-BACK-3-ASM



No.	Unit Name	Part Number	Description	Remarks	Reference
1	SW-BACK-3-ASM		PLT-SEN-A-BU-C		6LB10808000
2	SW-BACK-3-ASM		GP1A73ARJ00F		C0-10813000
3	SW-BACK-3-ASM		ACT-SENS-PIT		6LB42542000
4	SW-BACK-3-ASM		SPG-AC-BU-C		6LB10824000
5	SW-BACK-3-ASM		P/PRL/AH7-3X25-SS		X0-02380000
6	SW-BACK-3-ASM	45729634	S/TPS/FHEXM/R-3X6-ZU3		X0-02419000
7	SW-BACK-3-ASM		GID-FEED-OPN-SWB-LFT-L		6LB28725100
8	SW-BACK-3-ASM	45729589	S/TPP/FHEXM-3X8-NI		X0-02247000
9	SW-BACK-3-ASM		PLT-STOP-ACT-SNS-SW		6LB28769000
10	SW-BACK-3-ASM		PLATE-RLR-SDL-035		6LH81725000
11	SW-BACK-3-ASM		RLR-D20XL16-SDL		6LH82126000
12	SW-BACK-3-ASM		S/TPP/FHEXM-4X10-NI		X0-02252000
13	SW-BACK-3-ASM		LINK-GID-FEED-OPN-SW		6LB28721000
14	SW-BACK-3-ASM		STOP-RING-6-5-POM		6LE49743000
16	SW-BACK-3-ASM		ASYS-SOL-LINK-BU-C		6LB10846000
17	SW-BACK-3-ASM		LABEL-GREEN-RBT		6LH83033000
18	SW-BACK-3-ASM		SPG-EARTH-SWBK		6LB28770000

This Illustrated Parts Manual is to be used for part identification. Part numbers for the most often used parts are listed. To obtain parts for items that do not list an associated part number contact **Oki Data Technical Support at 866.654.1725** for specific part numbers and part ordering information

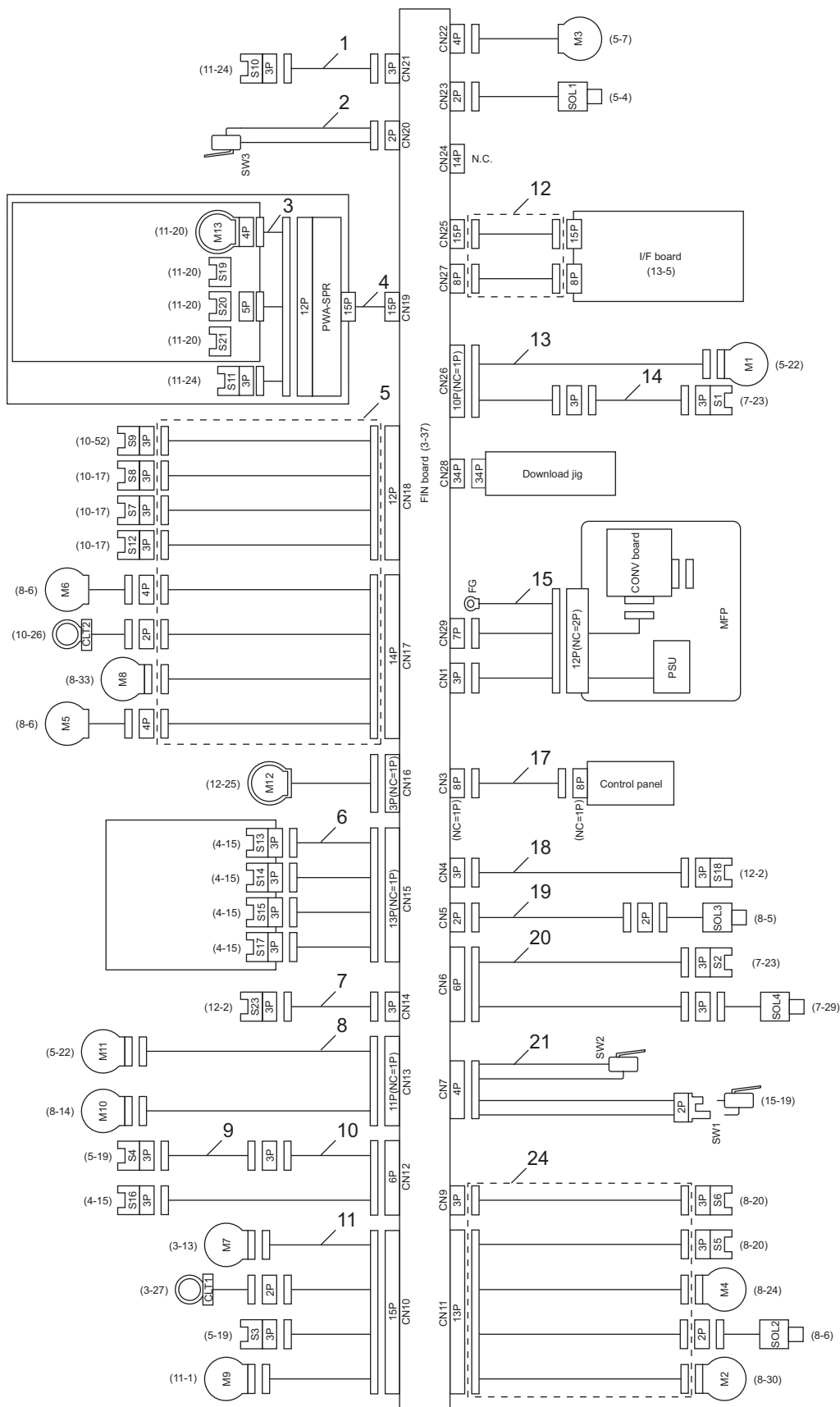
ACCESSORIES-SDL-ASM



No.	Unit Name	Part Number	Description	Remarks	Reference
1	ACCESSORIES-SDL-ASM		RLR-STPR-TRAY-Y01-SDL		6LB30222000
2	ACCESSORIES-SDL-ASM	45729578	RR/E-4-SS		X0-00965000
3	ACCESSORIES-SDL-ASM		CATCHER-ARM-SDL		6LB30214000
4	ACCESSORIES-SDL-ASM		SPG-3-CAT-ARM-SDL		6LB30276000
5	ACCESSORIES-SDL-ASM		BRKT-CATCHER-ARM-SDL		6LB30213000
6	ACCESSORIES-SDL-ASM	45729634	S/TPS/FHEXM/R-3X6-ZU3		X0-02419000
7	ACCESSORIES-SDL-ASM		SPG-STPR-TRAY1-Y01-SDL		6LB30212000
8	ACCESSORIES-SDL-ASM		TRAY-SLIDE-WLS-SDL		6LB30290000
9	ACCESSORIES-SDL-ASM		TRAY-SDL		6LB30260000
10	ACCESSORIES-SDL-ASM		ARM-1-LV-A		6LB30262000
11	ACCESSORIES-SDL-ASM		ARM-2-LV-A-T		6LB30261000
12	ACCESSORIES-SDL-ASM		SPG-ARM-2-LV-A		6LB30209000
13	ACCESSORIES-SDL-ASM		RLR-LV-A-SDL		6LB30211000
15	ACCESSORIES-SDL-ASM		BARB-LV-A-SDL-RBT		6LH83816000
17	ACCESSORIES-SDL-ASM		SHAFT-EXT-TRAY		6LB30210000
19	ACCESSORIES-SDL-ASM	45729579	RR/E-5-SS		X0-00966000
21	ACCESSORIES-SDL-ASM		HLDR-ARM-2-SDL		6LB30208000
22	ACCESSORIES-SDL-ASM		MYLAR-LV-A-SDL-RBT		6LH83819000
23	ACCESSORIES-SDL-ASM		SPG-BARB-LV-A-SDL-RBT		6LH83815000
24	ACCESSORIES-SDL-ASM	45729591	S/PAN/SWWP-M3X8-NI		X0-00077000

This Illustrated Parts Manual is to be used for part identification. Part numbers for the most often used parts are listed. To obtain parts for items that do not list an associated part number contact **Oki Data Technical Support at 866.654.1725** for specific part numbers and part ordering information

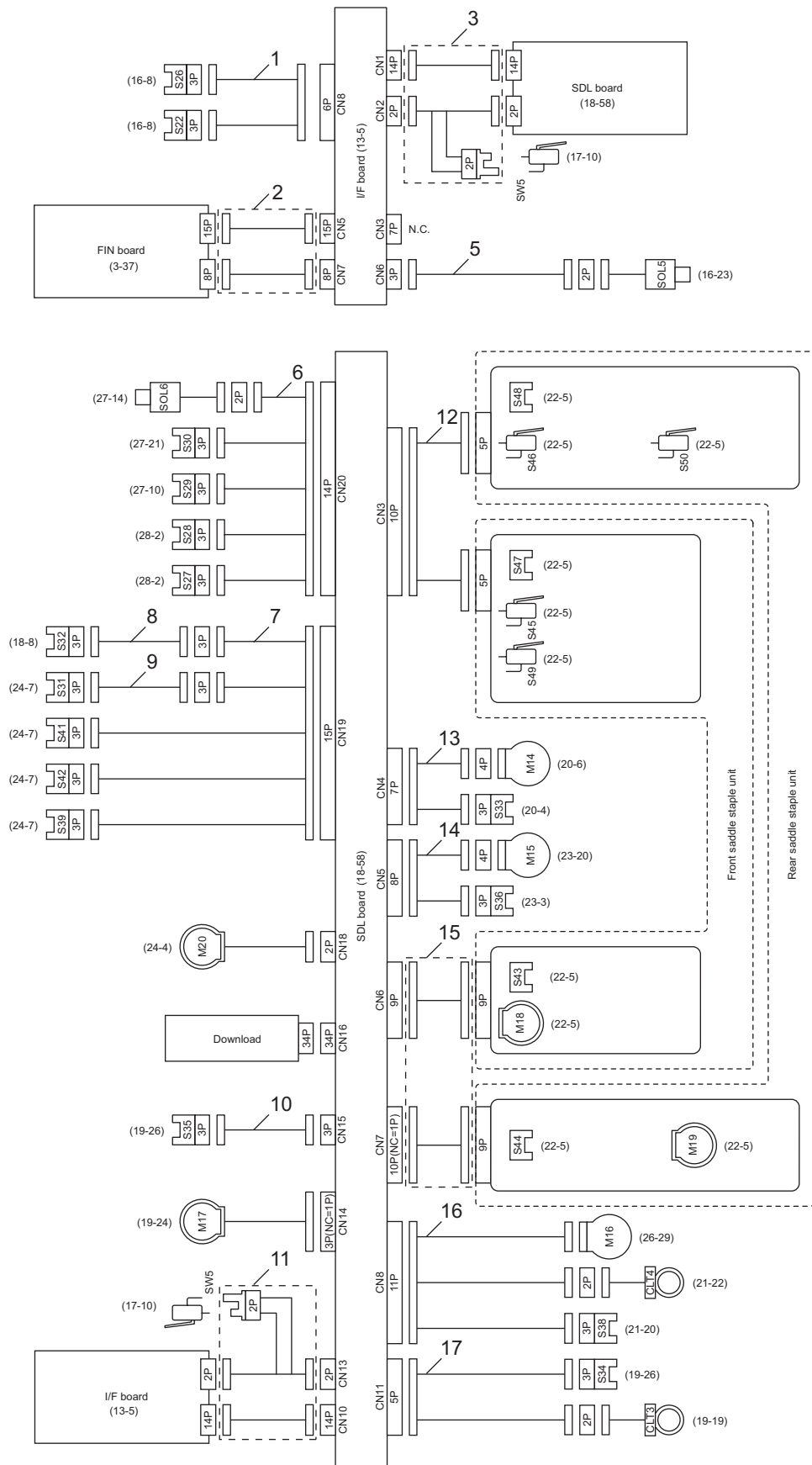
HARNESS-1



No.	Unit Name	Part Number	Description	Remarks	Reference
1	HARNESS-1		HRNS-SPRSFTHP-PTJ		6LB42955000
2	HARNESS-1		HRNS-SPRSFTSW-PTJ		6LB42957000
3	HARNESS-1		HRNS-SPRCAR		6LB12424000
4	HARNESS-1		HRNS-SPRFFC-PTJ		6LB42956000
5	HARNESS-1		HRNS-FIN3-BC-PTJ		6LB42948000
6	HARNESS-1		HRNS-SFTTRY-EAR		6LH82549000
7	HARNESS-1		HRNS-SFTTRY2-PTJ		6LB42954000
8	HARNESS-1		HRNS-FIN4-PTJ		6LB42950000
9	HARNESS-1		HRNS-RLY3-A		6LB12416000
10	HARNESS-1		HRNS-FIN3-A		6LB12411000
11	HARNESS-1		HRNS-LOWER-PTJ		6LB42949000
12	HARNESS-1		HRNS-IF-CN5-RBT		6LH82503000
13	HARNESS-1		HRNS-INLET-PTJ		6LB42951000
14	HARNESS-1		HRNS-INLET2-RBT2		6LJ89915000
15	HARNESS-1		HRNS-MFP-RBT		6LH82504000
17	HARNESS-1		HRNS-CPL		6LB12602000
18	HARNESS-1		HRNS-FIN1-B-PTJ		6LB42946000
19	HARNESS-1		HRNS-MG3-PTJ		6LB42953000
20	HARNESS-1		HRNS-FIN1-A-PTJ		6LB42945000
21	HARNESS-1		HRNS-CVRSW-RBT		6LH82505000
24	HARNESS-1		HRNS-FIN2-PTJ		6LB42947000

This Illustrated Parts Manual is to be used for part identification. Part numbers for the most often used parts are listed. To obtain parts for items that do not list an associated part number contact **Oki Data Technical Support at 866.654.1725** for specific part numbers and part ordering information

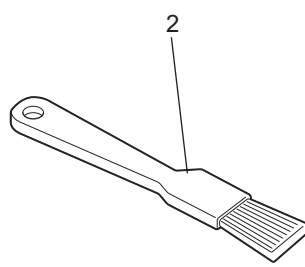
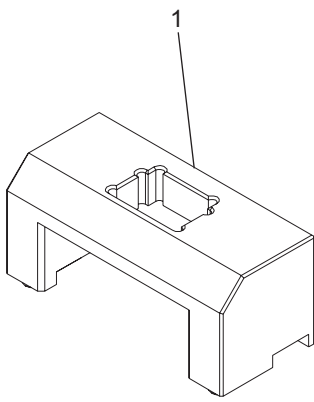
HARNESS-2



No.	Unit Name	Part Number	Description	Remarks	Reference
1	HARNESS-2		HRNS-SUB-SEN-CN8		6LB31029000
2	HARNESS-2		HRNS-IF-CN5-RBT		6LH82503000
3	HARNESS-2		HRNS-SDL-SUB-CN10		6LB31041000
5	HARNESS-2		HRNS-SUB-MG1-CN6B		6LB31028000
6	HARNESS-2		HRNS-PAPER-PATH-SEN-CN20		6LB31038000
7	HARNESS-2		HRNS-ENH-FOLD-SEN-CN19		6LB31037000
8	HARNESS-2		HRNS-SEN-CN19H		6LB31040000
9	HARNESS-2		HRNS-SEN-CN19S		6LB31039000
10	HARNESS-2		HRNS-F-BLD-HP-SEN-CN15		6LB31048000
11	HARNESS-2		HRNS-SDL-SUB-CN10		6LB31041000
12	HARNESS-2		HRNS-SPR-SEN-CN2		6LB31030000
13	HARNESS-2		HRNS-STACK-CN4		6LB31031000
14	HARNESS-2		HRNS-JOGGER-CN5		6LB31032000
15	HARNESS-2		HRNS-SPR-F-MOTOR-CN6		6LB31033000
16	HARNESS-2		HRNS-FEED-CN8		6LB31034000
17	HARNESS-2		HRNS-FOLD-SEN-CN11		6LB31035000

This Illustrated Parts Manual is to be used for part identification. Part numbers for the most often used parts are listed. To obtain parts for items that do not list an associated part number contact **Oki Data Technical Support at 866.654.1725** for specific part numbers and part ordering information

JIGS & GREASE



No.	Unit Name	Part Number	Description	Remarks	Reference
1	JIGS & GREASE		JIG-STAPLE-2-SDL		6LB29630000
2	JIGS & GREASE	45729666	BRUSH-33		4407915710
11	JIGS & GREASE		SANKOL-CFD-409M-90G		6LB45000000

This Illustrated Parts Manual is to be used for part identification. Part numbers for the most often used parts are listed. To obtain parts for items that do not list an associated part number contact **Oki Data Technical Support at 866.654.1725** for specific part numbers and part ordering information