

MR-3025

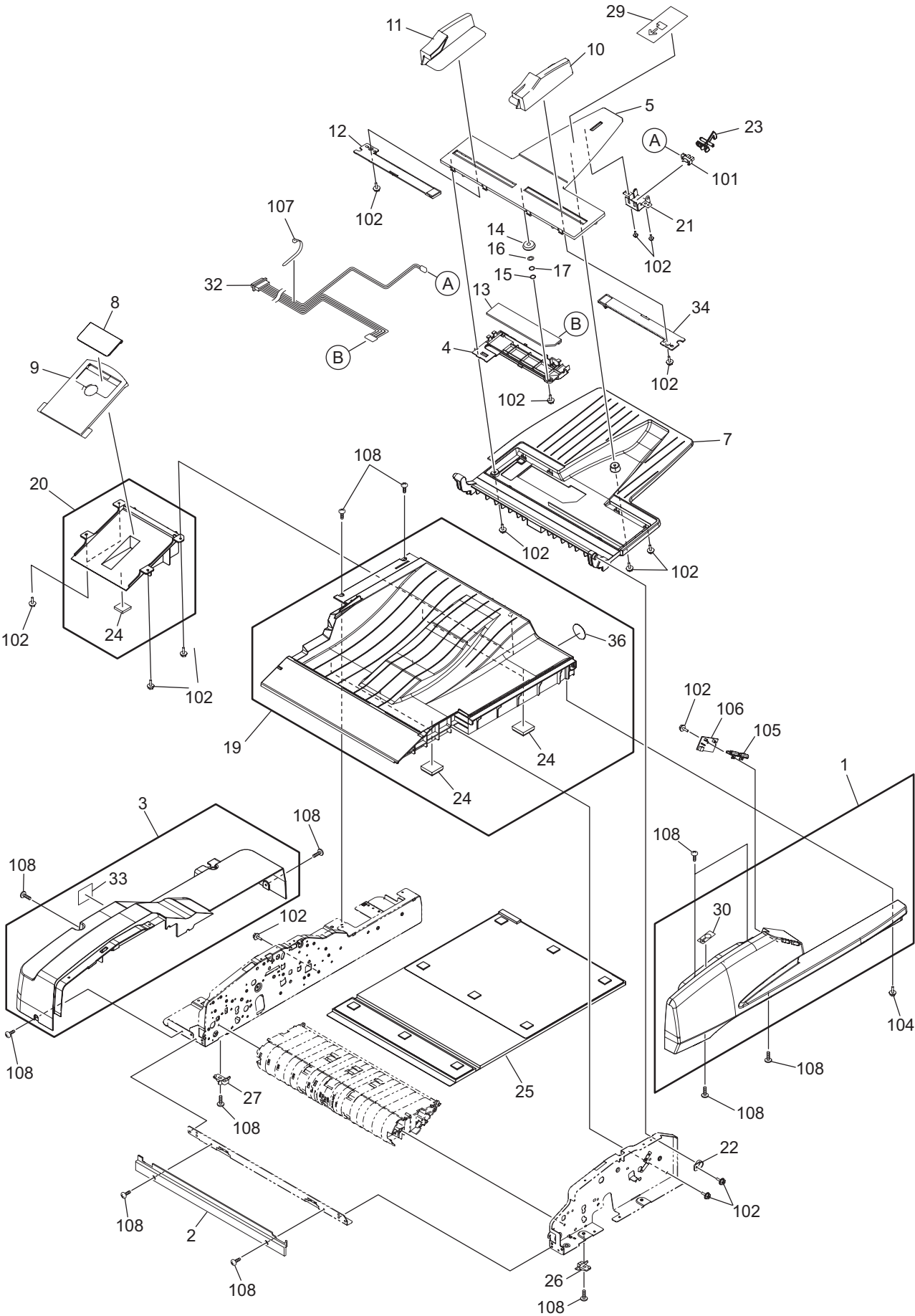
RADF

Illustrated Parts Manual

ES9465 / ES9475 MFP

060214A

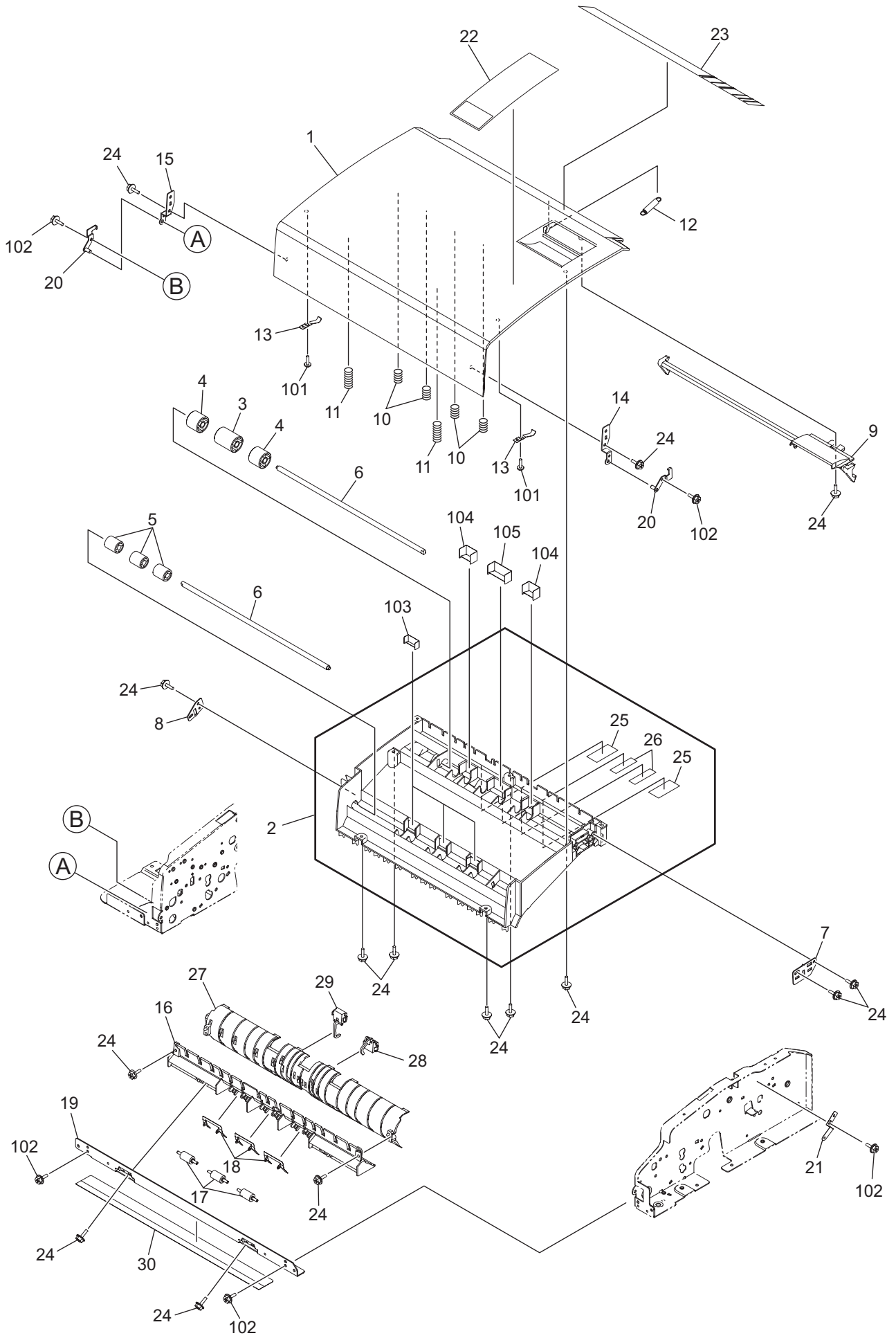
COVER-ASY



No.	Unit Name	Part Number	Description	Remarks	Reference
1	COVER-ASY		ASYS-COV-FRONT-H546U		6LH57607300
2	COVER-ASY		COV-LEFT-U		6LE50383000
3	COVER-ASY		ASYS-COV-REAR-H502		6LH57608000
4	COVER-ASY	45689767	ASYS-COVER-PWA-TRAY-SZ_O		6LJ67495100
5	COVER-ASY	45689768	TRAY-INNER-PC-FW		6LE59915300
7	COVER-ASY	45689769	TRAY-ORIGINAL-PC-OKI		6LE59912400
8	COVER-ASY		TRAY-SUB-EXT-IN-LG		6LE50002100
9	COVER-ASY		TRAY-SUB-EXIT-OUT-H502-LG		6LH57619100
10	COVER-ASY	45689770	ASYS-GID-TRY-F-PC-FW		6LE59916300
11	COVER-ASY	45689771	ASYS-GID-TRY-R-PC-FW		6LE59652300
12	COVER-ASY		RACK-TRAY-PC		6LE59922000
13	COVER-ASY		PWA-F-TRAY-623		6LE49586000
14	COVER-ASY		PINION-18-395		4407726480
15	COVER-ASY		WASHER-6R2X9R5XR13-PL		6LA78907000
16	COVER-ASY		STW-FT60 T0.25		F0-01324000
17	COVER-ASY		WASHER-W-6-10		4400974200
19	COVER-ASY		ASYS-TRAY-EXIT-H502		6LH57612000
20	COVER-ASY		ASYS-HLDR-TRAY-SUB-H502		6LH57611000
21	COVER-ASY		HLDR-SENS-LE_576		6LE50464100
22	COVER-ASY		HLDR-TRAY-F		6LE50470000
23	COVER-ASY	45689772	ACT-SENSOR-TRAY-OKI		6LE50461800
24	COVER-ASY		ASYS-TAPE-MAGIC		6LE49999000
25	COVER-ASY		ASYS-SHEET-PLTN		6LH57687000
26	COVER-ASY		STOP-SHEET-F-M		6LE59788000
27	COVER-ASY		STOP-SHEET-R-M		6LE59789000
29	COVER-ASY		LABEL-CAUTION-546W		6LJ67409000
30	COVER-ASY		LABEL-JAM-1-546		6LH91067100
32	COVER-ASY		HRNS-RUBY-TRAY-623		6LE49580000
33	COVER-ASY		LBL.W-COV-PP		6LH91066000
34	COVER-ASY		ASYS-RACK-TRY-PC		6LE59921000
36	COVER-ASY		SEAL-HIDE-HDL-HOLE		6LH57625000
101	COVER-ASY		GP1A173LCS2F		C0-15172000
102	COVER-ASY		S/TPP/FHEXM-3X8-NI		X0-02247000
104	COVER-ASY		S/TPP/BID-3X8-NI		X0-01989000
105	COVER-ASY		LENZ-LED-H546		6LJ67416000
106	COVER-ASY		PWA-H-LED-H546		6LJ67242000
107	COVER-ASY		SKB-1		F0-00521000
108	COVER-ASY		SCR-M3X6BISR-NI		6LA08935000

This Illustrated Parts Manual is to be used for part identification. Part numbers for the most often used parts are listed. To obtain parts for items that do not list an associated part number contact **Oki Data Technical Support at 866.654.1725** for specific part numbers and part ordering information

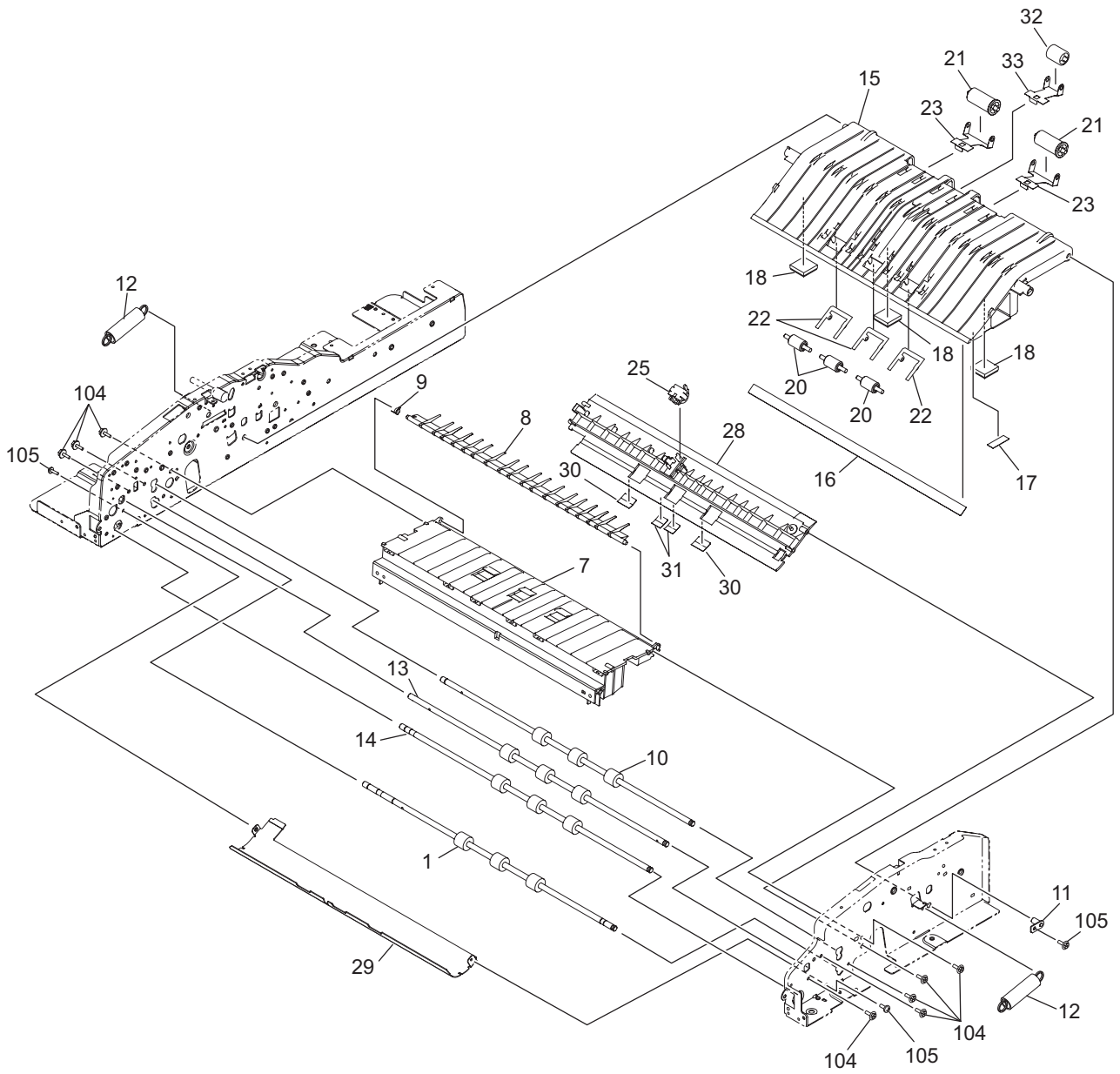
GUIDE-OPEN-ASY



No.	Unit Name	Part Number	Description	Remarks	Reference
1	GUIDE-OPEN-ASY		COV-JAM		6LE49778000
2	GUIDE-OPEN-ASY		ASYS-GID-COV-JAM-M		6LE59637000
3	GUIDE-OPEN-ASY		ROL-IDL-D22-L		6LE50402000
4	GUIDE-OPEN-ASY		ROL-IDL-D22		6LE50404000
5	GUIDE-OPEN-ASY		ROL-IDL-D16		6LE50406000
6	GUIDE-OPEN-ASY		SFT-IDL-ALNG		6LE50412000
7	GUIDE-OPEN-ASY		PLT-SFT-IDL-ALN		6LE50414000
8	GUIDE-OPEN-ASY		PLT-SFT-D16-RD		6LE50415000
9	GUIDE-OPEN-ASY		LEVER-COV-OPEN		6LE50416000
10	GUIDE-OPEN-ASY		SPG-C-ROL-ALNG		6LE50419000
11	GUIDE-OPEN-ASY		SPG-C-ROL-MIDL		6LE50423000
12	GUIDE-OPEN-ASY		SPG-E-COV-JAM		6LE50425000
13	GUIDE-OPEN-ASY		SPG-F-GID-SB-PUSH		6LE50428000
14	GUIDE-OPEN-ASY		BRKT-COV-JAM-F		6LH57676000
15	GUIDE-OPEN-ASY		BRKT-COV-JAM-R		6LH57674000
16	GUIDE-OPEN-ASY		ASYS-GID-RI-D-N		6LE90507000
17	GUIDE-OPEN-ASY		ASYS-ROL-IDL-D10		6LE49897000
18	GUIDE-OPEN-ASY		SPG-F-READ-IN-1.4		6LE49910000
19	GUIDE-OPEN-ASY		STAY-LEFT-D		6LE49911000
20	GUIDE-OPEN-ASY		ASYS-PLT-COV-JAM		6LE49823000
21	GUIDE-OPEN-ASY		SPG-F-EARTH-EXIT		6LE49742000
22	GUIDE-OPEN-ASY		LABEL-CLN-623		6LH91074000
23	GUIDE-OPEN-ASY		LABEL-SIZE-546		6LJ67408000
24	GUIDE-OPEN-ASY	45729589	S/TPP/FHEXM-3X8-NI		X0-02247000
25	GUIDE-OPEN-ASY		CUSHION-RGST-1-L		6LE50385000
26	GUIDE-OPEN-ASY		CUSHION-RGST-3-L		6LE50386000
27	GUIDE-OPEN-ASY		ASYS-GID-RI-U-M		6LE59817000
28	GUIDE-OPEN-ASY		SNSR-RADF-EXIT-430		6LH06323000
29	GUIDE-OPEN-ASY		SNSR-RADF-READ-502		6LH57728000
30	GUIDE-OPEN-ASY		FILM-STAY-LEFT-D		6LE59798000
101	GUIDE-OPEN-ASY	45729646	S/TPP/BID-3X8-NI		X0-01989000
102	GUIDE-OPEN-ASY		SCR-M3X6BISR-NI		6LA08935000
103	GUIDE-OPEN-ASY		FILM-GID-COV-JAM-1		6LE50401000
104	GUIDE-OPEN-ASY		FILM-GID-COV-JAM-2		6LE50403000
105	GUIDE-OPEN-ASY		FILM-GID-COV-JAM-3		6LE50405000

This Illustrated Parts Manual is to be used for part identification. Part numbers for the most often used parts are listed. To obtain parts for items that do not list an associated part number contact **Oki Data Technical Support at 866.654.1725** for specific part numbers and part ordering information

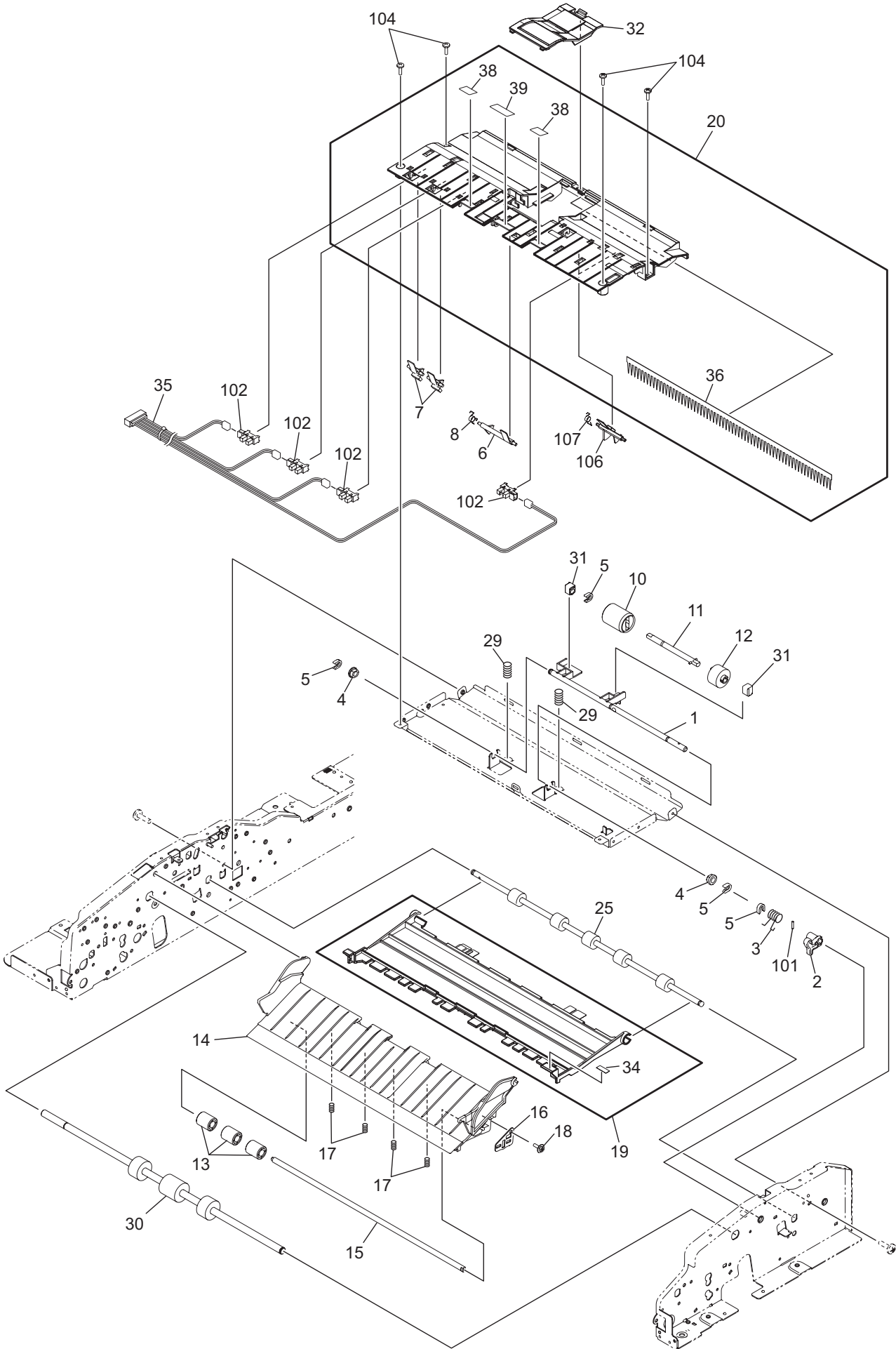
FEED-1-ASY



No.	Unit Name	Part Number	Description	Remarks	Reference
1	FEED-1-ASY		ROL-READ-OUT		6LH57698000
7	FEED-1-ASY		GUIDE-RETURN-M-LG		6LE59786100
8	FEED-1-ASY		FLAP-RETURN-5330		6LE49780100
9	FEED-1-ASY		SPG-T-FLP-SB		6LE49784000
10	FEED-1-ASY		ROL-SB-ALNG		6LE49763000
11	FEED-1-ASY		ASYS-PLT-GID-RO		6LE49948000
12	FEED-1-ASY		SPG-E-READ-OUT-D		6LE49961000
13	FEED-1-ASY		ROL-READ-MAIN-S		6LE49824000
14	FEED-1-ASY		ROL-READ-IN-S		6LE90501000
15	FEED-1-ASY		GUIDE-READ-OUT-D-PC-LG		6LE59903100
16	FEED-1-ASY		FILM-READ-OUT		6LE49932000
17	FEED-1-ASY		LABEL-JAMOP-3-GRSG		6LJ67524000
18	FEED-1-ASY		ASYS-TAPE-MAGIC		6LE49999000
20	FEED-1-ASY		ASYS-ROL-IDL-D12		6LE59814000
21	FEED-1-ASY		ROL-IDL-D16-EXT		6LE49939000
22	FEED-1-ASY		SPG-F-READ-OUT-1.6-M		6LE59855000
23	FEED-1-ASY		SPG-F-IDL-EXIT		6LE49945000
25	FEED-1-ASY		SNSR-RADF-EXIT-430		6LH06323000
28	FEED-1-ASY		GUIDE-READ-OUT-U-LG		6LE49878100
29	FEED-1-ASY		ASYS-GUIDE-PLTN		6LJ67501000
30	FEED-1-ASY		FILM-READ-OUT-1		6LE49881000
31	FEED-1-ASY		FILM-READ-OUT-2		6LE49882000
32	FEED-1-ASY		ROL-IDL-D16-EXT-PC		6LE59904000
33	FEED-1-ASY		SPG-F-IDL-EXIT-PC		6LE59905000
104	FEED-1-ASY	45729589	S/TPP/FHEXM-3X8-NI		X0-02247000
105	FEED-1-ASY		SCR-M3X6BISR-NI		6LA08935000

This Illustrated Parts Manual is to be used for part identification. Part numbers for the most often used parts are listed. To obtain parts for items that do not list an associated part number contact **Oki Data Technical Support at 866.654.1725** for specific part numbers and part ordering information

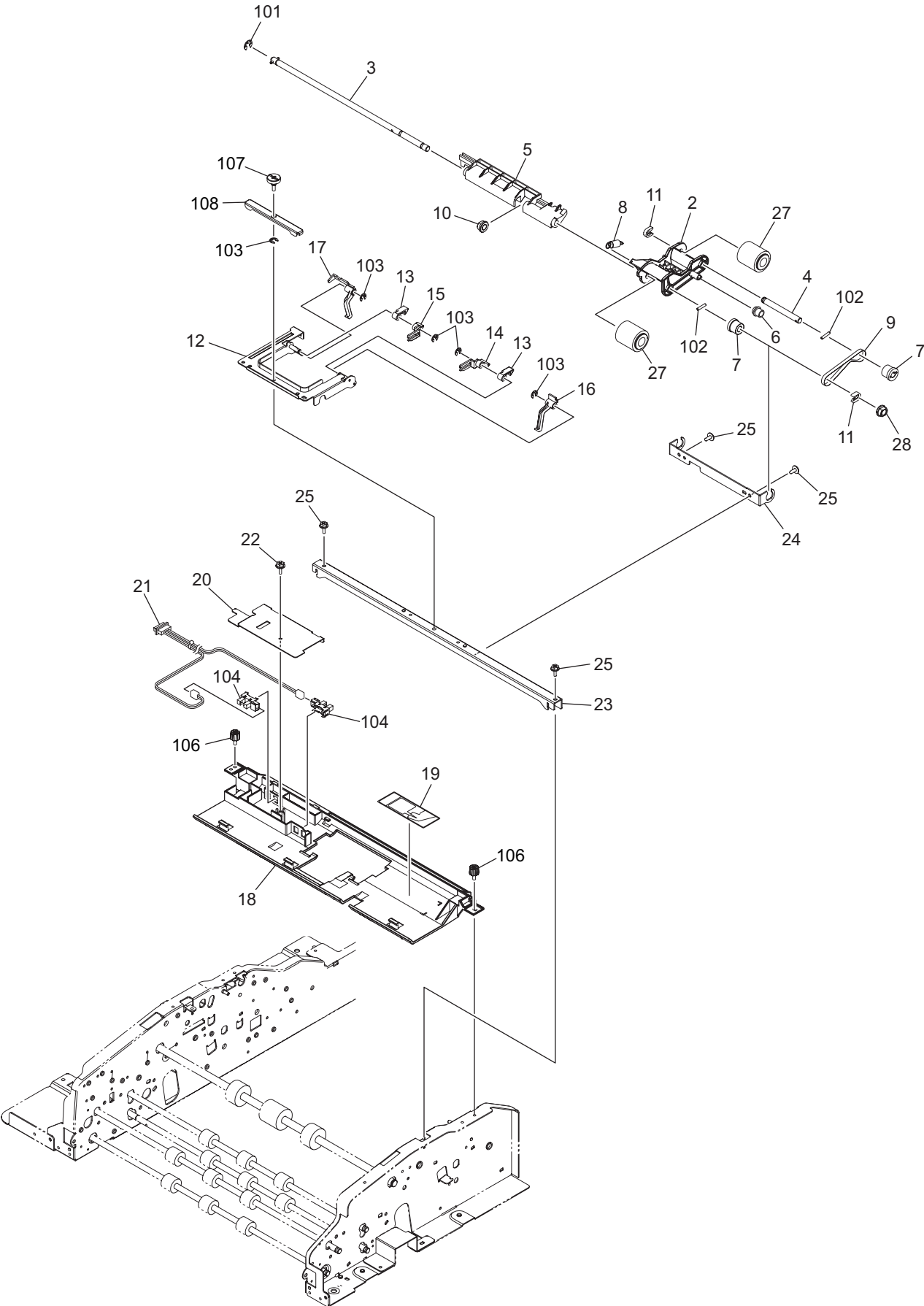
FEED-2-ASY



No.	Unit Name	Part Number	Description	Remarks	Reference
1	FEED-2-ASY		LEVER-CAM-RET-5330		6LE50194100
2	FEED-2-ASY		ARM-LVR-CAM-RET		6LE50198000
3	FEED-2-ASY		SPG-T-LVR-CAM-RET		6LE50202000
4	FEED-2-ASY	45729559	BUSH-6-POM		44201492000
5	FEED-2-ASY		STOP-RING-6-5-POM		6LE49743000
6	FEED-2-ASY		LEVER-SENS-ALNG		6LE50228000
7	FEED-2-ASY		LEVER-SENS-WIDTH		6LE50231000
8	FEED-2-ASY		SPG-T-LVR-ALNG		6LE50234000
10	FEED-2-ASY	45735714	ASYS-ROL-RET		6LE50296000
11	FEED-2-ASY		ASYS-SFT-RET-1		6LE50237000
12	FEED-2-ASY		TL-SEP-ROL-Y-N		6LH04750000
13	FEED-2-ASY		ROL-IDL-D16		6LE50406000
14	FEED-2-ASY		ASYS-GID-SB-J-546		6LE49866100
15	FEED-2-ASY		SFT-IDL-D16		6LE50411000
16	FEED-2-ASY		PLT-SFT-IDL-D16		6LE50044000
17	FEED-2-ASY		SPG-C-SB-ALNG		6LE50046000
18	FEED-2-ASY		S/TPP/FHEXM-4X10-NI		X0-02252000
19	FEED-2-ASY		ASYS-GID-EXT-U-PC-546		6LE59908100
20	FEED-2-ASY		ASYS-GID-FD-D-H576		6LJ67479000
25	FEED-2-ASY		ROL-EXIT-PC-PS		6LE59635000
29	FEED-2-ASY		SPG-C-ROL-RET-5UP		6LE59825000
30	FEED-2-ASY		ROL-ALNG-PS		6LE49830000
31	FEED-2-ASY		HLDR-SFT-RET		6LE50252000
32	FEED-2-ASY		ASYS-COV-RET-H546		6LJ67443000
34	FEED-2-ASY		LABEL-JAMOP-2-GRSG		6LH91071100
35	FEED-2-ASY		HRNS-RADF-ALIGN2-H546		6LJ67218000
36	FEED-2-ASY		BRUSH-ERS-L		6LJ67462000
38	FEED-2-ASY		FILM-ALNG-IN-D-S-0.05		6LE50233000
39	FEED-2-ASY		FILM-ALNG-IN-D-L-0.05		6LE50232000
101	FEED-2-ASY		PIN-2X10		6LB12138000
102	FEED-2-ASY		GP1A173LCS2F		C0-15172000
104	FEED-2-ASY		SCR-M3X6BISR-NI		6LA08935000
106	FEED-2-ASY		LVR-SENS-LNG		6LJ67412000
107	FEED-2-ASY		SPG-T-LNG-3		6LJ67455000

This Illustrated Parts Manual is to be used for part identification. Part numbers for the most often used parts are listed. To obtain parts for items that do not list an associated part number contact **Oki Data Technical Support at 866.654.1725** for specific part numbers and part ordering information

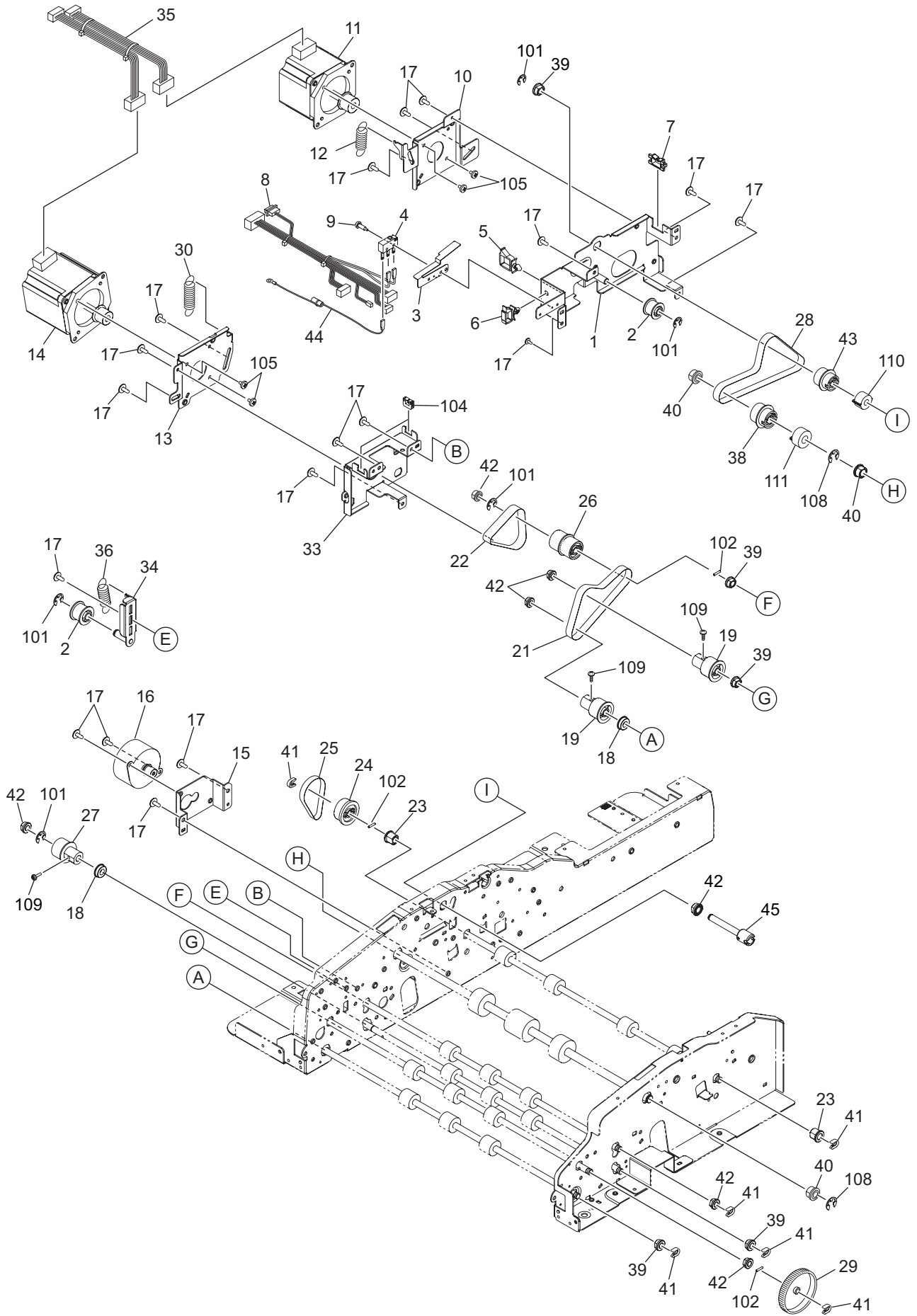
FEED-3-ASY



No.	Unit Name	Part Number	Description	Remarks	Reference
2	FEED-3-ASY		HLDR-ROL-PICK-H546		6LJ67411000
3	FEED-3-ASY		ASYS-SFT-FEED		6LE49794000
4	FEED-3-ASY		SFT-FEED-PIC		6LE50329000
5	FEED-3-ASY		LVR-PICK-JOINT		6LE50332000
6	FEED-3-ASY		ROL-TNSN-PICK		6LE50336000
7	FEED-3-ASY		PULLY-1R5GT26-6		6LE50339000
8	FEED-3-ASY		SPG-E-PICKUP		6LE50342000
9	FEED-3-ASY		BELT-141-1R5GT-4		6LE50345000
10	FEED-3-ASY		BUSH-6-NU4		6LH53768000
11	FEED-3-ASY		STOP-RING-6-5-POM		6LE49743000
12	FEED-3-ASY		ASYS-BKT-STOP		6LE50354000
13	FEED-3-ASY		ARM-STOPPER		6LE50366000
14	FEED-3-ASY		LVR-STOPPER-F		6LE50367000
15	FEED-3-ASY		LVR-STOPPER-R		6LE50371000
16	FEED-3-ASY		STPR-PICK-F		6LE50375000
17	FEED-3-ASY		STPR-PICK-R		6LE50379000
18	FEED-3-ASY		ASYS-GID-FED-U-H546U		6LE59838300
19	FEED-3-ASY		LABEL-INST2-H546		6LJ67516000
20	FEED-3-ASY		PLT-COV-FEED		6LE50290000
21	FEED-3-ASY		HRNS-RUBY-FEED2-623		6LE49504000
22	FEED-3-ASY	45729589	S/TPP/FHEXM-3X8-NI		X0-02247000
23	FEED-3-ASY		STAY-FEED-UP		6LE50274000
24	FEED-3-ASY		BRKT-FEED-UP		6LE50278000
25	FEED-3-ASY		SCR-M3X6BISR-NI		6LA08935000
27	FEED-3-ASY	45735715	ASYS-ROL-FEED		6LE50297000
28	FEED-3-ASY	45729559	BUSH-6-POM		44201492000
101	FEED-3-ASY	45729579	RR/E-5-SS		X0-00966000
102	FEED-3-ASY		PIN-2X10		6LB12138000
103	FEED-3-ASY	45729577	RR/E-3-SS		X0-00964000
104	FEED-3-ASY		GP1A173LCS2F		C0-15172000
106	FEED-3-ASY		SCREW-HANDLE-A		6LJ67418000
107	FEED-3-ASY		SCREW-HANDLE-B		6LJ67419000
108	FEED-3-ASY		BRKT-FEED-DTCH		6LJ67414000

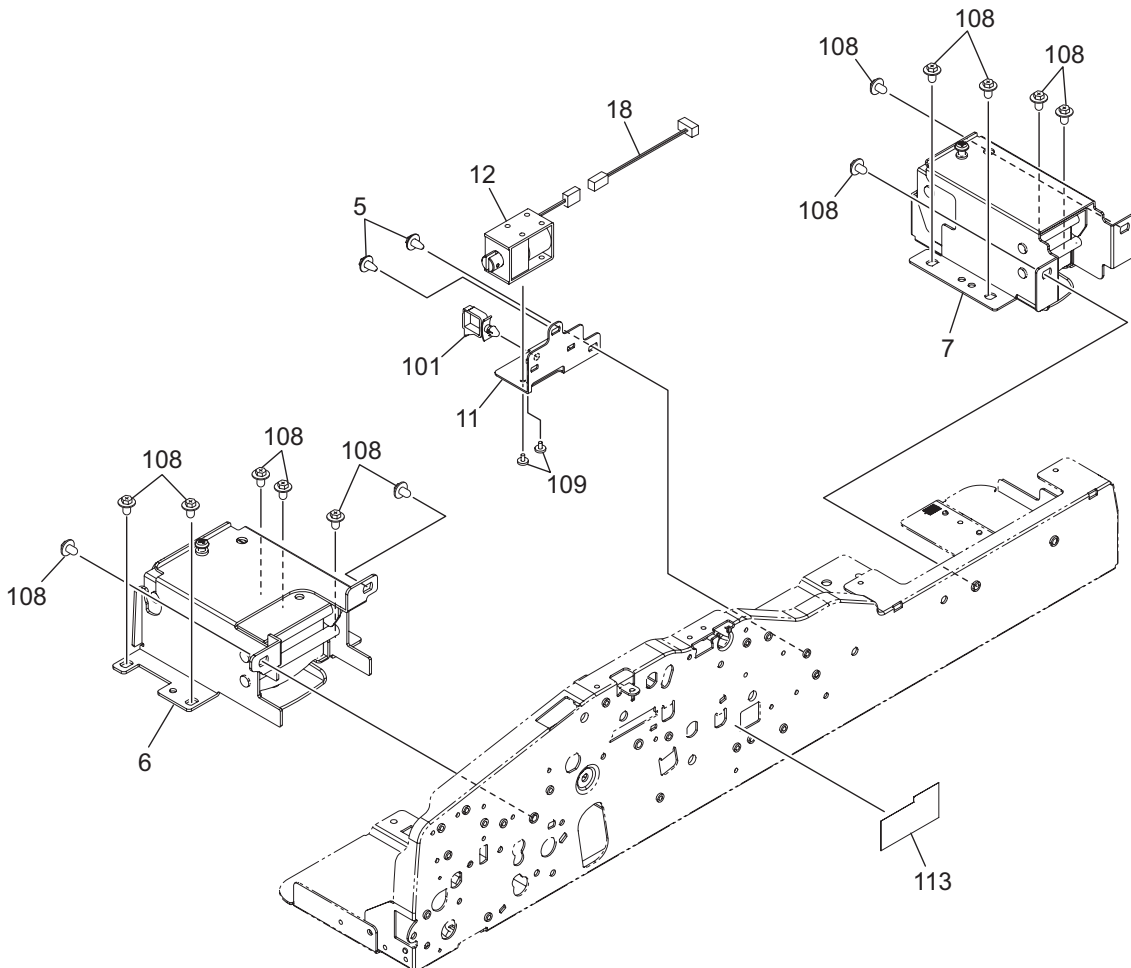
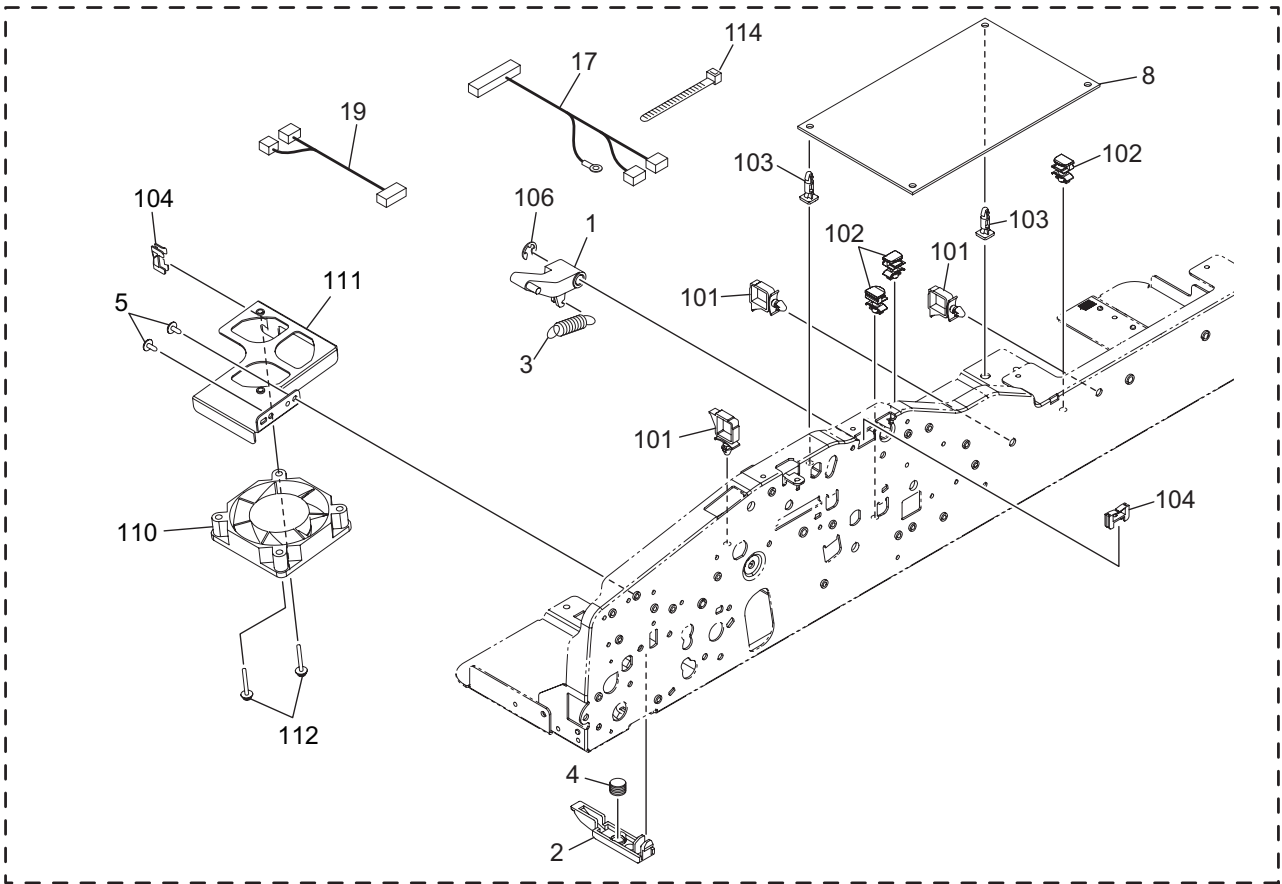
This Illustrated Parts Manual is to be used for part identification. Part numbers for the most often used parts are listed. To obtain parts for items that do not list an associated part number contact **Oki Data Technical Support at 866.654.1725** for specific part numbers and part ordering information

FEED-DRIVE-ASY



No.	Unit Name	Part Number	Description	Remarks	Reference
1	FEED-DRIVE-ASY		ASYS-BRKT-R-FED		6LE50089000
2	FEED-DRIVE-ASY		ROL-TNSN-FEED		6LE50098000
3	FEED-DRIVE-ASY		SPG-F-COV-JAM-SW		6LE50102000
4	FEED-DRIVE-ASY		DE2L-BAAA		E0-01859000
5	FEED-DRIVE-ASY		LWS-1316S-V0		F0-01813000
6	FEED-DRIVE-ASY		LWS-0511S-V0		F0-01810000
7	FEED-DRIVE-ASY		ESC-0912		F0-01248000
8	FEED-DRIVE-ASY		HRNS-RUBY-FEED1-623		6LE50867000
9	FEED-DRIVE-ASY	45729636	SCREW20*D23		44204394000
10	FEED-DRIVE-ASY		PLT-MOT-FEED-643		6LE59774000
11	FEED-DRIVE-ASY		MOTR_S-RADF-FEED-H576		6LJ67258000
12	FEED-DRIVE-ASY		SPG-E-9R6X1X23R2		6LE59844000
13	FEED-DRIVE-ASY		PLT-MOT-REED-643		6LE59775000
14	FEED-DRIVE-ASY		MOTR_S-RADF-READ-H576		6LJ67259000
15	FEED-DRIVE-ASY		PLT-MOT-EXIT-H576		6LE59800100
16	FEED-DRIVE-ASY		MOTR_S-RUBY-EXIT-623		6LE49517000
17	FEED-DRIVE-ASY		SCR-M3X6BISR-NI		6LA08935000
18	FEED-DRIVE-ASY		LF-1260ZZRP0P25LY551		F0-02142000
19	FEED-DRIVE-ASY		PULLY-1R5GT40-6-SCW		6LE59633000
21	FEED-DRIVE-ASY		BELT-207-1R5GT-6		6LJ67481000
22	FEED-DRIVE-ASY		BELT-150-1R5GT-8		6LJ67482000
23	FEED-DRIVE-ASY		BUSH-0610*95N-P		4401941910
24	FEED-DRIVE-ASY		PULLY-1R5GT46-6		6LJ67473000
25	FEED-DRIVE-ASY		BELT-109_5-1R5GT-6		6LJ67467000
26	FEED-DRIVE-ASY		PULLY-1R5GT40-6-W		6LE49854000
27	FEED-DRIVE-ASY		PULLY-1R5GT40-6-RD-O		6LH57699000
28	FEED-DRIVE-ASY		BELT-292_5-1R5GT-6		6LJ67468000
29	FEED-DRIVE-ASY		DIAL-RD-JAM-GRSG		6LE49810200
30	FEED-DRIVE-ASY		SPG-E-MOT-READ		6LE50169000
33	FEED-DRIVE-ASY		BRKT-ROL-READ-M		6LE59794000
34	FEED-DRIVE-ASY		ASYS-PLT-TNSN		6LE50110000
35	FEED-DRIVE-ASY		HRNS-RADF-MOT-H546		6LJ67219000
36	FEED-DRIVE-ASY		SPG-E-TNSN-READ		6LE50134000
38	FEED-DRIVE-ASY		PULLY-1R5GT41-8		6LJ67472000
39	FEED-DRIVE-ASY		BUSH-6-NU4		6LH53768000
40	FEED-DRIVE-ASY		BUSH-8X12X8F		6LA65698000
41	FEED-DRIVE-ASY		STOP-RING-6-5-POM		6LE49743000
42	FEED-DRIVE-ASY	45729559	BUSH-6-POM		44201492000
43	FEED-DRIVE-ASY		PULLY-1R5GT38-6-F		6LJ67471000
44	FEED-DRIVE-ASY		HRNS-RADF-POSI-623		6LE50868000
45	FEED-DRIVE-ASY		ASYS-CPG-FED		6LE50061000
101	FEED-DRIVE-ASY	45729579	RR/E-5-SS		X0-00966000
102	FEED-DRIVE-ASY		PIN-2X10		6LB12138000
104	FEED-DRIVE-ASY		DS-02S		F0-01493000
105	FEED-DRIVE-ASY	45729585	S/BID-M3X4-NI		X0-00426000
108	FEED-DRIVE-ASY	45729580	RR/E-7-SS		X0-00968000
109	FEED-DRIVE-ASY		S/PAN-M3X8-NI		X0-00074000
110	FEED-DRIVE-ASY		CLUTCH-6-RW-390		6LE05773000
111	FEED-DRIVE-ASY		CLUTCH-8-R		6LJ67474000

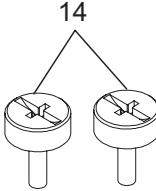
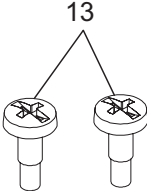
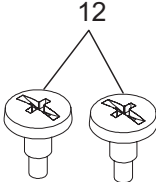
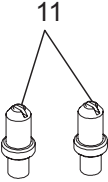
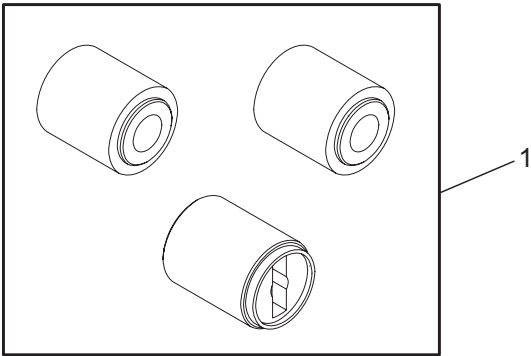
HINGE-ASY



No.	Unit Name	Part Number	Description	Remarks	Reference
1	HINGE-ASY		LEVER-PICK-SOL		6LE49751000
2	HINGE-ASY		CAP-APS-R-280-LG		6LE59928100
3	HINGE-ASY		SPG-E-PICK-SOL		6LE49755000
4	HINGE-ASY		SPG-C-CAP-APS-R		6LE49758000
5	HINGE-ASY		SCR-M3X6BISR-NI		6LA08935000
6	HINGE-ASY		HINGE-L-H576		6LJ67523000
7	HINGE-ASY		HINGE-R-H502		6LJ15830000
8	HINGE-ASY		ASYB-DLG-H576S		6LJ67266000
11	HINGE-ASY		PLT-SOL-PICK		6LE50152000
12	HINGE-ASY		SOL-RUBY-PICKUP-623		6LE49521000
17	HINGE-ASY		HRNS-RUBY-SCIF-623		6LE49507000
18	HINGE-ASY		HRNS-ADF-SOL-643		6LE63349000
19	HINGE-ASY		HRNS-RADF-ALIGN1-H576		6LJ67267000
101	HINGE-ASY		LWS-1316S-V0		F0-01813000
102	HINGE-ASY		ELS-8U		F0-01427000
103	HINGE-ASY		KGLS-8RT		F0-00229000
104	HINGE-ASY		DS-2		F0-01492000
106	HINGE-ASY	45729579	RR/E-5-SS		X0-00966000
108	HINGE-ASY		S/TPS/FHEX/R-4X6-ZU3		X0-02408000
109	HINGE-ASY	45729585	S/BID-M3X4-NI		X0-00426000
110	HINGE-ASY		FAND-6015-H576		6LJ67260000
111	HINGE-ASY		PLT-FAN-READ		6LE50438000
112	HINGE-ASY		S/PAN/SWWP-M3X20-NI		X0-00130000
113	HINGE-ASY		SEAL-DF-FRM-R2		6LE59867000
114	HINGE-ASY		SKB-1		F0-00521000

This Illustrated Parts Manual is to be used for part identification. Part numbers for the most often used parts are listed. To obtain parts for items that do not list an associated part number contact **Oki Data Technical Support at 866.654.1725** for specific part numbers and part ordering information

ACCESSARY & ROLLER-KIT



No.	Unit Name	Part Number	Description	Remarks	Reference
1	ACCES & ROLLER-KIT	45735719	DF-KIT-3018		6LE49738000
11	ACCES & ROLLER-KIT		SFT-PA-PIN-R		6LE50499000
12	ACCES & ROLLER-KIT		SCR-HINGE-A		6LE50495000
13	ACCES & ROLLER-KIT		SCR-HINGE-B		6LE50496000
14	ACCES & ROLLER-KIT		SCR-HINGE-C		6LE50497000
15	ACCES & ROLLER-KIT		W/PL/PJO-6-SS		X0-00946000

This Illustrated Parts Manual is to be used for part identification. Part numbers for the most often used parts are listed. To obtain parts for items that do not list an associated part number contact **Oki Data Technical Support at 866.654.1725** for specific part numbers and part ordering information