

ES9465/ES9475

OKI®



**Fast, versatile, compact A3 Color MFPs
with a unique OKI® LED-based print engine**



ES9465/ES9475 from OKI®. High-definition output, great media flexibility, full-featured copier functionality, low maintenance, and competitive CPC...

Highlights:

- A3 MFP with LED-based print engine
- Print, copy and scan with optional fax
- Fast speeds in color and black & white:
 - Print/Copy at up to 50 ppm/cpm^{1,2}
 - First copy out as fast as 6.1 sec. Color; 4.7 seconds B&W^{1,3}
 - Warm-up as fast as 27 sec. from Power On, 12 sec. from Sleep Mode,¹ enabled by induction heating technology
- Duplex (2-sided) printing/copying standard
- 100-sheet reversing automatic document feeder (RADF) standard
- A3-size color scanner (11" x 17" scan area)
- OKI® Smart Extendable Platform for integration with industry leading applications
- Breathtaking HD Color output
- Small footprint, light weight, low noise levels
- PCL® 6, PCL 5c/5e, PostScript® 3™ emulations
- High toner yields – up to 32,000 pages⁴
- Up to 225,000-page monthly duty cycle
- 9" LCD touch-screen tilting display
- High-security, self-encrypting hard drive
- Prints up to 100 lb. (270 gsm) cover stock and 12" x 47" banner sheets
- Scan to filing box, shared folder, hard disk, USB, e-mail (LDAP/SMTP), FTP/HTTP server, WS scan
- Max paper capacity up to 3,200 sheets
- Optional fax functionality; Multi-Staple Finisher; Saddle-Stitch Finisher; Inner Finisher⁵; wireless LAN; Multi-format Card Readers
- 5-Year limited warranty on LED printheads

What more could you ask for in an A3 MFP?

The ES9465/ES9475 from OKI combine color and black & white printing/copying/scanning with optional high-speed fax. These feature-rich MFPs produce breathtaking documents at productivity-boosting speeds and distribute them quickly and easily.

They're extremely fast—with print and copy speeds of up to 50 ppm/cpm in color or black & white^{1,2} ... first-page-out times as little as 6.1 seconds in Color, 4.7 seconds B&W^{1,3} ... and warm-up time as fast as 27 seconds from Power On; only 12 seconds from Sleep Mode¹.

LED technology for reliable performance and easy maintenance – OKI LED technology is known for the kind of rugged dependability that boosts user productivity: for example, these devices are rated at 225,000 pages per month.

They're also simpler and more cost-effective to maintain, with quick and easy servicing of individual toner cartridges, image drums and developer units—all of which can be replaced without tools.

Versatile, powerful output – Both models offer duplex (2-sided) print-and-copy capability standard, and can handle heavier paper stock (up to 100 lb. cover/280 gsm), as well as banner paper up to 47 inches in length.

Complete the job professionally with an optional multi-staple or saddle-stitch finisher and hole punch unit. If floor space is a concern, there's even a finisher that fits inside the ES9465⁵ itself, providing automatic stapling without adding to the MFP's footprint.

Plus, record what works: the hard disk drive can securely store specific print copy, scan and finishing settings as templates.

Sharing documents has never been easier –

With the ES9465/ES9475, you can scan in a document—actually, up to 57 scans per minute on the reversing automatic document feeder (RADF)—and choose from a variety of “send to” options for your file: to a filing box on your PC, a shared folder on your network, an FTP or HTTP server, a USB memory stick, as an e-file to the 320 GB hard disk drive, or as an attachment to an e-mail.

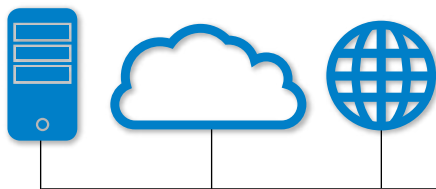
The large touch-screen LCD display—with full QWERTY keyboard for entering e-mail and Web addresses—and simple-to-follow workflow make whatever destination you choose a snap to access.

Opt for a full-featured fax – The high-speed Super G3 fax that's available with the ES9465/ES9475 comes with features to make your job easier and more professional, including T.37 Internet faxing, a 3,000-entry address book, double-sided fax scanning, 256-level gray scale, page editing, and generous fax memory.

Heightened security – With an increasing amount of business-critical data being stored on MFPs' hard disk drives, administrators are justifiably concerned with document security. That's why OKI sees to it that ES9465/ES9475 MFPs are exceptionally secure.

AES Encryption prevents any unauthorized person from reading data stored on the hard disk drive—even in the event of a disk drive theft. For even greater security, an optional Data Overwrite Enabler securely erases printed, copied, faxed and scanned data stored inside the hard disk.

ES9465/ES9475 Color A3 MFPs from OKI: fast print and copy speeds, breathtaking output, unmatched technology. What more could you ask for?



The ES9465/ES9475 Operator Panel

Easy-to-access functionality: primary features are simple to locate and access

Alphanumeric keypad: enter fax numbers, codes and quantities with a touch



9" backlit LCD touchscreen display: simplifies navigation and enhances user productivity; QWERTY keyboard enables entry of e-mail addresses and FTP sites

OKI® Smart Extendable Platform – Redefining “multifunctional”

This flexible open architecture allows software developers and OKI Solution Partners to create customized solutions that meet specific business needs. Here are examples, using the ES9465/ES9475 MFP's touch-screen display to:

- Optimize the use of output devices and reduce paper and toner costs company-wide or by department with optional PaperCut MF™.
- Print an exact number of sheet tests on demand, grade tests instantaneously, print reports in minutes, scan documents to specific classroom folders with the optional Remark® Test Grading Solution.
- Automate your document scan process with barcode workflows, OCR and personalized touch-panel workflows, using optional Drive | Image software.
- Integrate scanned documents into document management and ECM systems with optional MetaScan XML files.*

* Requires optional connector.

ES9465/ES9475 at a Glance

Popular Configurations:



ES9475 with LCF, Saddle-Stitch Finisher and Hole Punch Unit
55" x 28.9" x 47.8"



ES9465 with PFP and Job Separator
26.3" x 27.6" x 47.8"



ES9465 with PFP, Drawer Module and Inner Finisher⁵
26.3" x 27.6" x 47.8"



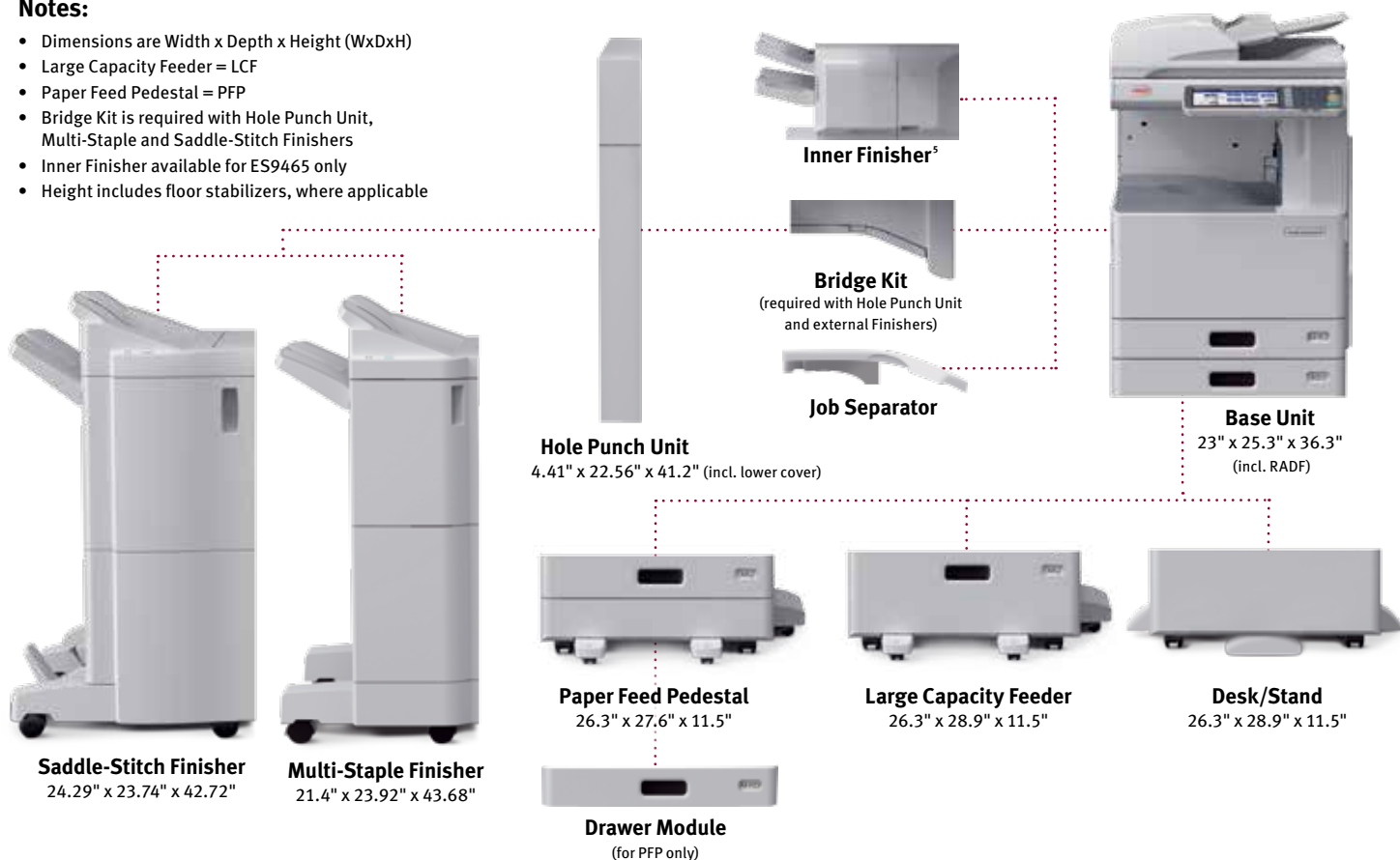
ES9475 with Desk/Stand
26.3" x 28.9" x 47.8"



ES9475 with LCF and Multi-Staple Finisher
47.7" x 28.9" x 47.8"

Notes:

- Dimensions are Width x Depth x Height (WxDxH)
- Large Capacity Feeder = LCF
- Paper Feed Pedestal = PFP
- Bridge Kit is required with Hole Punch Unit, Multi-Staple and Saddle-Stitch Finishers
- Inner Finisher available for ES9465 only
- Height includes floor stabilizers, where applicable



Ordering Information:

Description	Part No.
ES9465 Color MFP (120V)	62443903
ES9475 Color MFP (120V)	62444003
Options	
550-sheet Paper Feed Pedestal (PFP)	45587501
2,000-sheet Large Capacity Feeder (LCF)	45587602
Drawer Module (550-sheet capacity; for use with PFP only)	45588001
Multi-Staple Finisher	45587301
Saddle-Stitch Finisher	45587101
Hole Punch Unit	45587401
Bridge Kit (required with Hole Punch, and Multi-Staple and Saddle-Stitch finishers)	45588101
Inner Finisher (for ES9465 only)	45587001
Desk/Stand	45588601
Job Separator (not for use with finishing options)	45011902
Fax Unit	45588701

Options continued	
Wireless Antenna	45518001
Wireless LAN Adapter	45517901
Meta Scan Enabler	45518201
IP Sec Enabler	45518401
Data Overwrite Enabler	45518101
Custom Card Reader Bracket	70065203
TWN-4 -P Multi format Card Reader – White	70064910
TWN-4-PI Multi format Card Reader – White	70064912
Supplies	
Cyan Toner Cartridge 28,000 pg. ⁴	45643507
Magenta Toner Cartridge 28,000 pg. ⁴	45643506
Yellow Toner Cartridge 28,000 pg. ⁴	45643505
Black Toner Cartridge 32,000 pg. ⁴	45643508
Waste Toner Box 28,000 pg. ⁴	45639502

ES9465/ES9475

Specifications

Printer	
Print Speed ¹	ES9465: Up to 35 ppm Color and Mono ES9475: Up to 50 ppm Color and Mono
Time to First Page ¹	ES9465: As fast as 8.1 sec. Color, 6.4 sec. Mono ES9475: As fast as 6.1 sec. Color, 4.7 sec. Mono
Print Resolution	Up to 600 x 1200 dpi
Duplex Printing	Standard
Processor	1.2 GHz CPU
Emulations	PostScript® 3™, PCL® 6, PCL 5c, PCL 5e, XPS®
Interfaces	High-speed USB 2.0, USB Host x2); 1 GB (1000 Base-T) Ethernet; Optional Wireless (802.11 b/g/n)
Operating Systems	Windows® 8, Windows 7, Windows Vista®, Windows XP, Windows Server 2012, Windows Server 2008, Windows Server 2008 R2, Windows Server 2003; Mac® OS 10.4.11 – 10.8
Memory	2 GB (standard and max.)
File Storage	320 GB Secure Hard Disk Drive
Monthly Duty Cycle	ES9465: 175,000 pages; ES9475: 225,000 pages

Copier	
Copy Speed ¹	ES9465: Up to 35 cpm Color and Mono ES9475: Up to 50 cpm Color and Mono
First Copy Out Time ¹	ES9465: As fast as 8.1 sec. Color, 6.4 sec. Mono ES9475: As fast as 6.1 sec. Color, 4.7 sec. Mono
Copy Resolution	Up to 600 x 600 dpi
Copy Scaling	25% to 400%
Max Number of Copies	Up to 999
Copy Functionality	Duplex, 2-Up, 4-Up, Collate, Mixed size (Letter/Legal), Job build, Interrupt, Cover sheet, Sheet insertion, Edge erase, ID copy and more
RADF Capacity	100-sheet Reversing Auto Document Feeder

Scanner	
Scan Type	Color/B&W flatbed (max scan area 11" x 17")
Scan Speed	Up to 73 sheets/min. (depending on scan resolution)
Scan Resolution	Up to 600 x 600 dpi
Scan Modes	Color, Black & White, Grayscale
Compatibility	TWAIN, Remote TWAIN, WS, WIA (Windows)
Formats Supported	TIFF, XPS, PDF, Slim PDF, JPEG
Scan-to Capabilities	Filing box, Shared folder, Email, FTP, USB memory, Hard disk drive, WS scan

Optional Fax	
Fax Modem Speed	33.6 Kbps Super G3
Transmission Speed	Approx. 3 sec. per page ⁷
Fax Resolution	Up to 300 x 300 dpi
Address Book Management	LDAP (3,000 entries)
Broadcast Transmission	Max 400 destinations; Group broadcast max 2,000 destinations
Fax Memory	1 GB (shared)
Fax Functionality	Mailboxes (300), Chain dial (128 digits), Auto re-dial, Memory transmission, Delayed transmission, Polling, Journal report

Paper Handling	
Standard Paper Input	1,200 sheets: 550-sheet Trays 1 and 2 plus 100-sheet Multi-purpose Tray (MPT)
Max Paper Input	3,200 sheets: 2,000-sheet Large Capacity Feeder (LCF), 550-sheet Trays 1 and 2 plus 100-sheet MPT
Input Options	550-sheet Paper Feed Pedestal (PFP); 550-sheet Drawer module for PFP; 2,000-sheet LCF
Finishing Capabilities	500-sheet Inner Finisher ² ; 2,250-sheet Multi-Staple Finisher; 3,250 Saddle-Stitch Finisher; 150- to 250-sheet Job Separator
Paper Sizes	Trays 1 and 2, PFP, Drawer module and Duplex: 5.5" x 8.5" to 12" x 18 (Tabloid Extra/A3); LCF – 8.5" x 11"; MPT: 4.6" to 4.7"; RADF: 11" x 17" max
Paper Weight	Trays 1/2/3, PFP, Drawer module and Duplex: 16 lb. bond–140 lb. index (60–256 gsm); LCF: 17 lb.–28 lb. bond (64–105 gsm); MPT: 16 lb. bond–100 lb. cover (60–280 gsm); RADF: 9.3 lb.–41.8 lb. bond (35–157 gsm)

Operator Panel	
Features	9" color graphic LCD tilting touch-screen display; alphanumeric keypad and function buttons

Document/Workflow Management	
OKI Smart Extendable Platform Technology	Integrate with industry leading applications, such as PaperCut MF™, Driveve Image and DocuWare®

Environmental	
Size (WxDxH) incl. RADF	23" x 25.3" x 36.3" (585 mm x 643 mm x 922 mm)
Weight	166.4 lb. (75.5 kg) without consumables
Temperature/Humidity	50°F – 86°F (10°C – 30°C), 20% – 85% RH
Power Consumption	1.5kW max.
Noise Levels	Active: less than 74.5 dB(A); Idle: less than 51 dB(A)

Warranty	
LED Printheads	5-Year limited warranty

¹ Published performance results based on laboratory testing of letter-size sheets, simplex. Individual results may vary.

² ES9475 only. ES9465 rated at up to 35 ppm/cpm Color and Black & White.

³ ES9475 only. ES9465 rated as fast as 6.4 seconds Black & White, 8.1 seconds Color.

⁴ Page count for Black Toner only. Cyan, Magenta and Yellow Toner rated at 28,000 pages, based on 6% coverage, letter-size sheets, simplex. Units ship with full-size toner cartridges.

⁵ Available for ES9465 model only.

⁶ Based on 3 pages per job.

⁷ Based on ITU-T Test Sheet #1.

Specifications are subject to change without notice.

Featured products may not be available in all countries. Please contact your local office for regional availability.

© 2014 Oki Data Americas, Inc. OKI Reg. T.M., M.D., Oki Electric Industry Co., Ltd. PostScript Reg. T.M., PostScript 3 T.M., Adobe Systems, Inc. PCL Reg. T.M., Hewlett-Packard Co. Windows, Windows Vista Reg. T.M., Microsoft Corp. XPS Reg. T.M., Dell, Inc. Mac Reg T.M., Apple Inc. PaperCut MF T.M., PaperCut Software International Pty Ltd. DocuWare Reg. T.M., DocuWare Corp. ENERGY STAR Reg. T.M., US EPA.

Printed in the USA

MS16105-0514

OKI DATA AMERICAS, INC.

USA
2000 BISHOPS GATE BLVD.
MOUNT LAUREL, NJ 08054-4620
TEL: 800.OKI.DATA (800.654.3282)
FAX: 856.222.5320

CANADA
4140B SLADEVIEW CRESCENT
UNITS 7 & 8
MISSISSAUGA, ONTARIO L5L 6A1
TEL: 905.608.5000
FAX: 905.608.5040

WWW.OKIDATA.COM



OKI
Open up your dreams