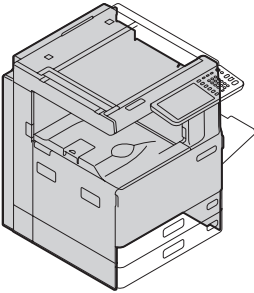
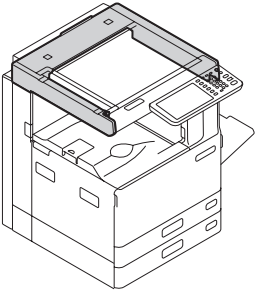
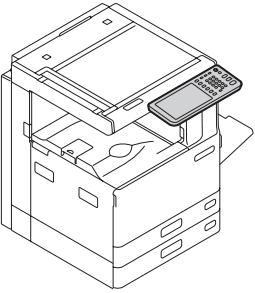
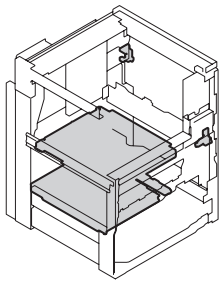
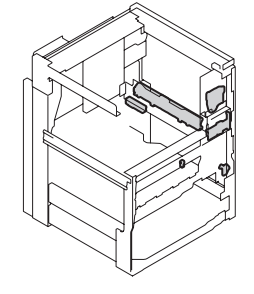
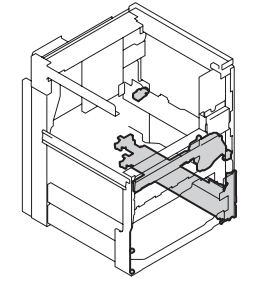
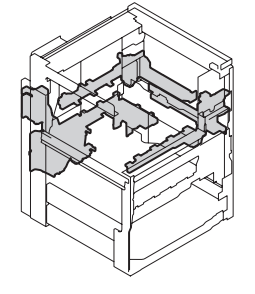
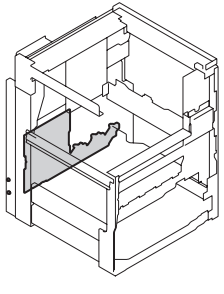
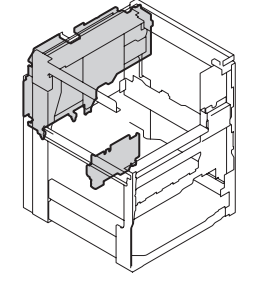
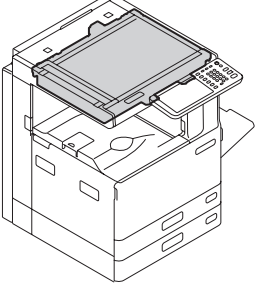
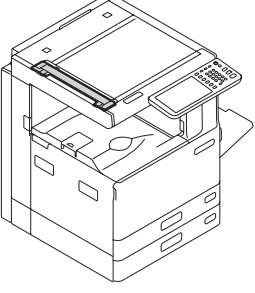
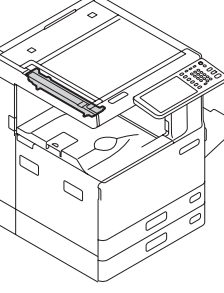
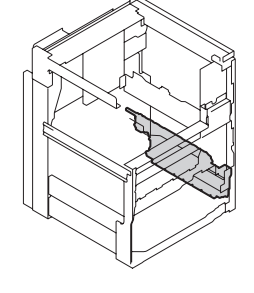
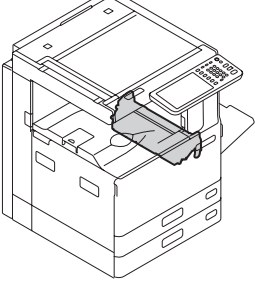
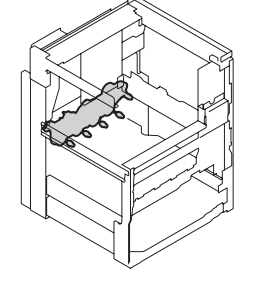
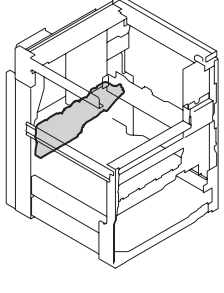
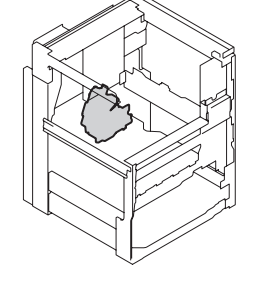
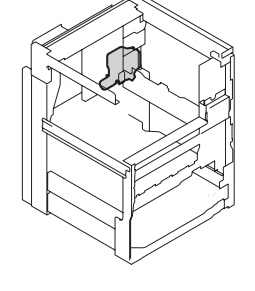
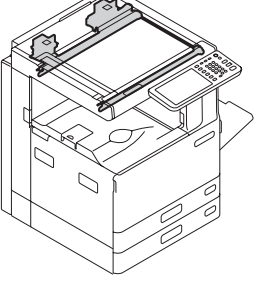
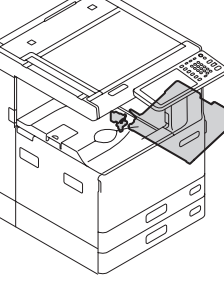
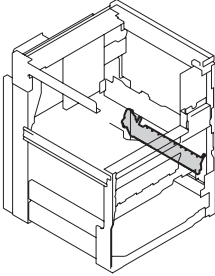
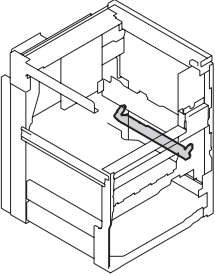
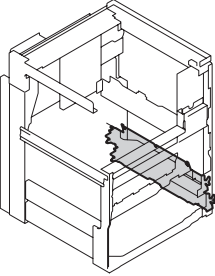
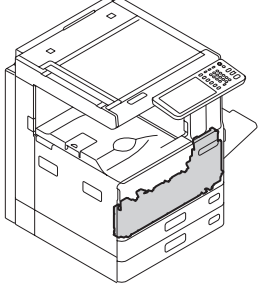
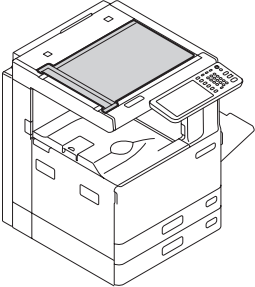
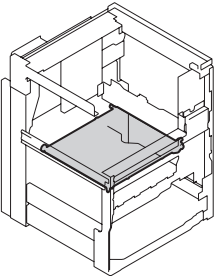
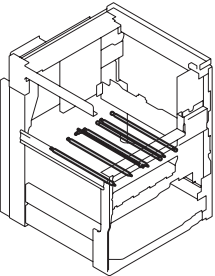
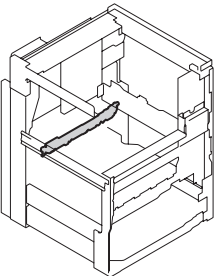
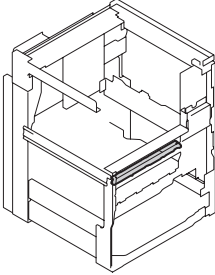
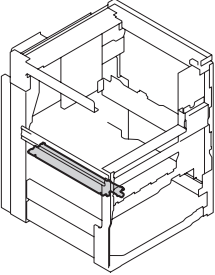
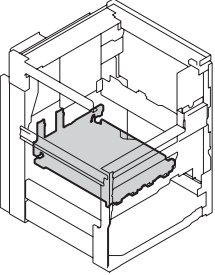
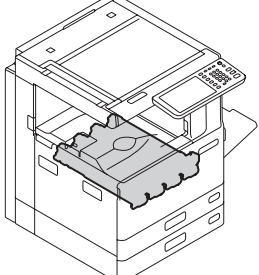
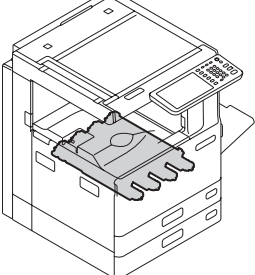
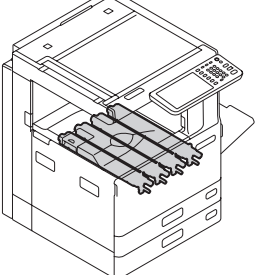
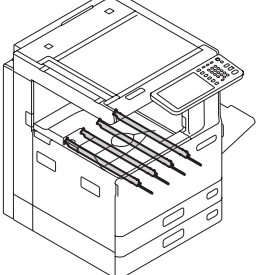
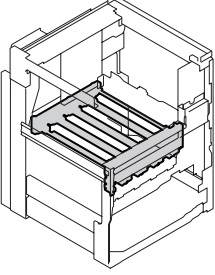
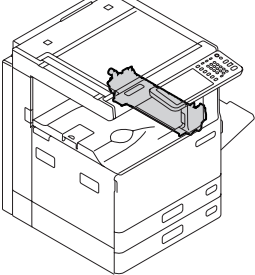
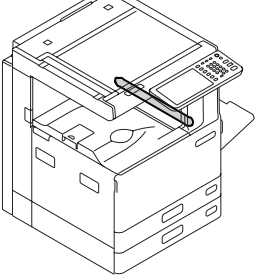
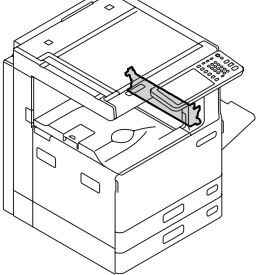
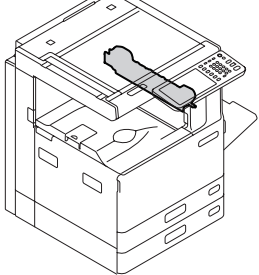
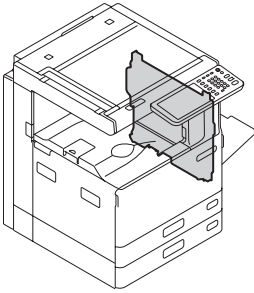
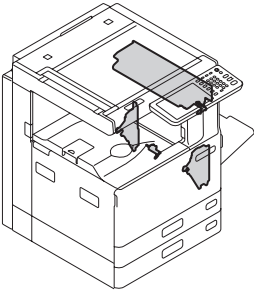
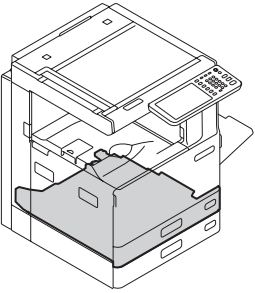
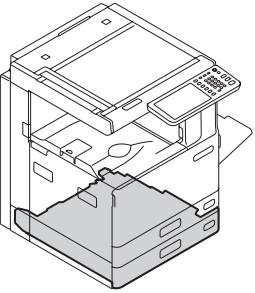
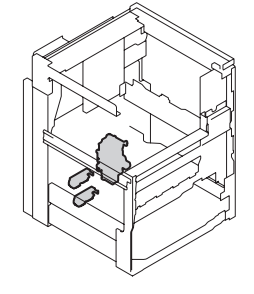
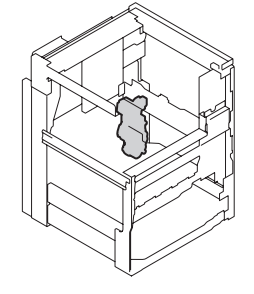


ES9465 / ES9475 MFP
Illustrated Spare Parts
Manual

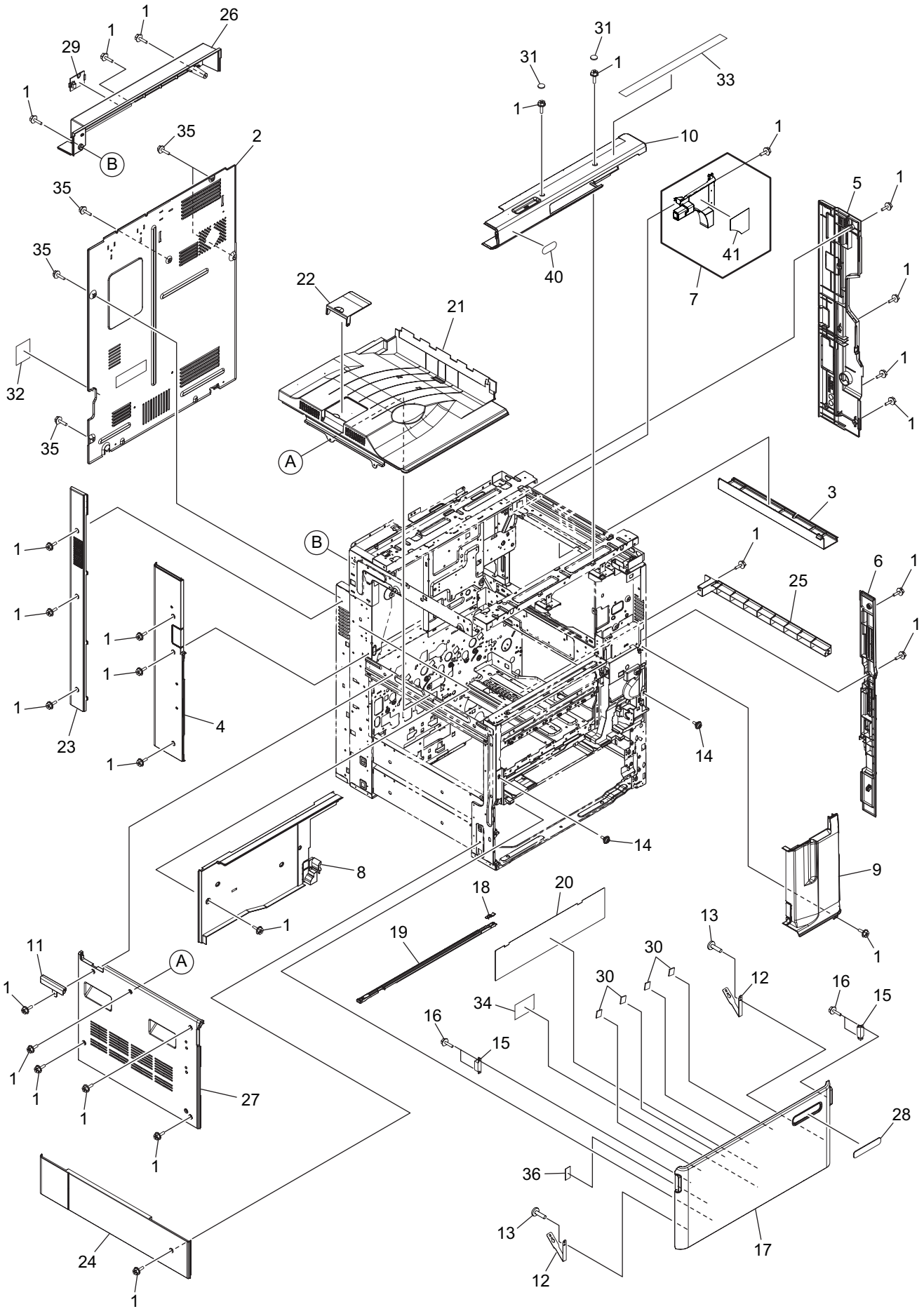
060214A

<p>1. COVER-1-ASY</p> 	<p>2. COVER-2-ASY</p> 	<p>3. CONTROL-PANEL-ASY</p> 	<p>4. FRAME-1-ASY</p> 
<p>5. FRAME-2-ASY</p> 	<p>6. FRAME-3-ASY</p> 	<p>7. FRAME-4-ASY</p> 	<p>8. ELECTRIC-ASY</p> 
<p>9. CASE-SYS-LGC-ASY</p> 	<p>10. OPTICAL-FRAME-ASY</p> 	<p>11. CRG-1-ASY</p> 	<p>12. CRG-2-ASY</p> 
<p>13. GUIDE-RGST-ASY.</p> 	<p>14. TRU-ASY</p> 	<p>15. DRIVE-DRUM-1-ASY</p> 	<p>16. DRIVE-DRUM-2-ASY</p> 
<p>17. DEVELOPER-DRIVE-ASY</p> 	<p>18. DRIVE-FUSER-ASY</p> 	<p>19. OPTICAL-DRIVE</p> 	<p>20. BYPASS-ASY</p> 

<p>21. BYPASS-FEEDER-ASY</p> 	<p>22. RGST-GUIDE</p> 	<p>23. FEEDER-ASY</p> 	<p>24. DRIVE-WTNR-ASY</p> 
<p>25. GLASS-ASY</p> 	<p>26. TBU-ASY-1</p> 	<p>27. TBU-ASY-2</p> 	<p>28. TBU-ASY-3</p> 
<p>29. TBU-ASY-4</p> 	<p>30. TBU-ASY-5</p> 	<p>31. EPU-GUIDE-ASY</p> 	<p>32. DEVELOPER-ASY-1</p> 
<p>33. DEVELOPER-ASY-2</p> 	<p>34. CLEANER-ASY-1</p> 	<p>35. CLEANER-ASY-2</p> 	<p>36. TNR-DRIVE-ASY</p> 
<p>37. FUSER-ASY-1</p> 	<p>38. FUSER-ASY-2</p> 	<p>39. FUSER-ASY-3</p> 	<p>40. EXIT-L-ASY</p> 

<p>41. ADU-1-ASY</p> 	<p>42. ADU-2-ASY</p> 	<p>43. DRAWER-ASY-1</p> 	<p>44. DRAWER-ASY-2</p> 
<p>45. TRAYUP-MOT-ASY</p> 	<p>46. FEEDER-DRIVE-ASY</p> 		

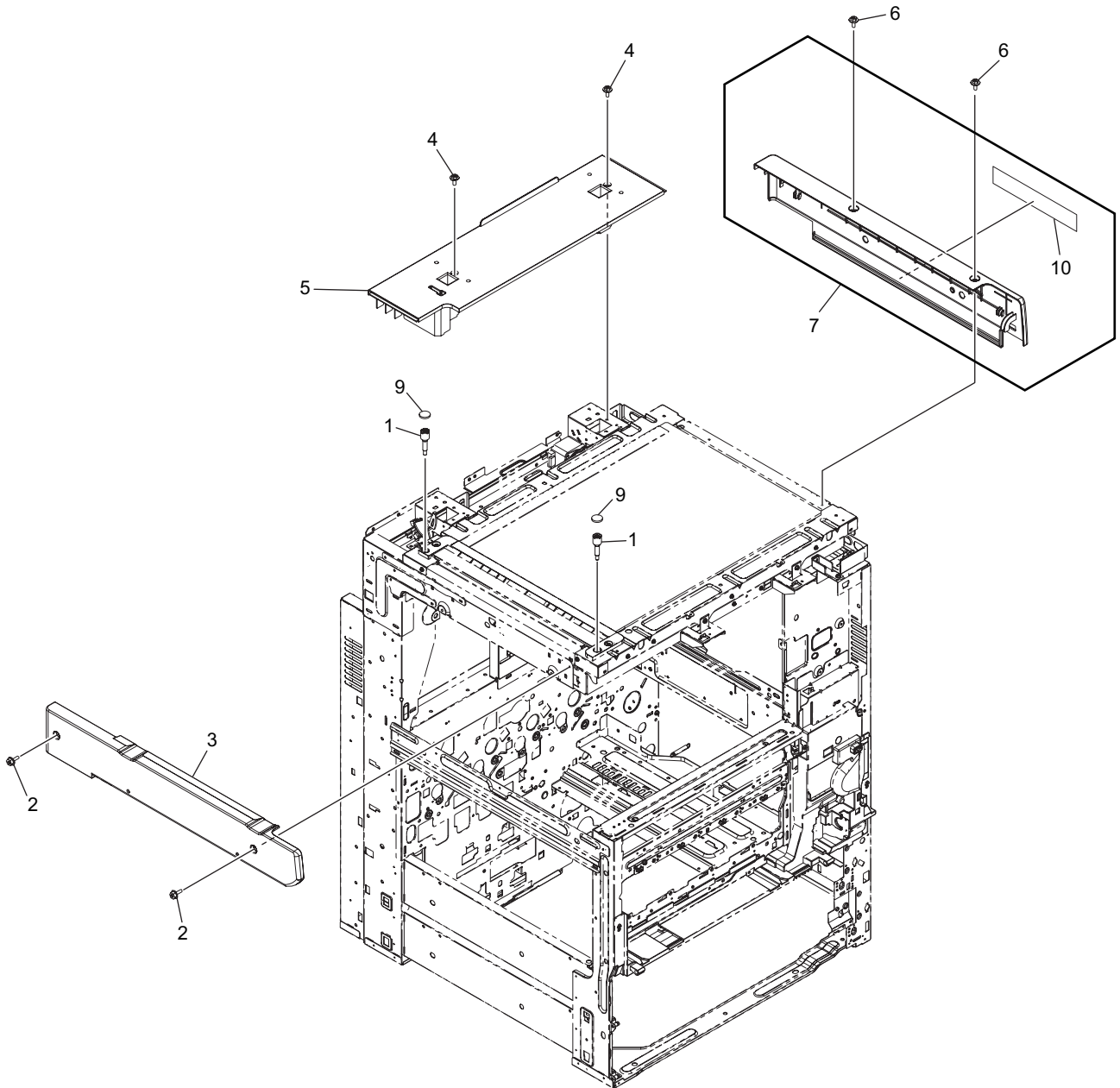
COVER-1-ASY



No.	Unit Name	Part Number	Description	Remarks	Reference
1	COVER-1-ASY	45729639	S/TPS/FHEXM/R-3X8-ZU3	screw	X0-02420000
2	COVER-1-ASY		COVER-REAR-H21Y		6LJ53760000
3	COVER-1-ASY		COVER-SCN-UNDER		6LJ53717000
4	COVER-1-ASY		COVER-LEFT-REAR		6LJ53761000
5	COVER-1-ASY		COVER-RIGHT-REAR-H21Y		6LJ53746000
6	COVER-1-ASY		COVER-FRT-PILLAR-R-H21Y		6LJ53753000
7	COVER-1-ASY		ASYS-COV-FUS-R-FW_Y		6LJ53754100
8	COVER-1-ASY	45689753	COVER-TRAY-BACK-FW_Y	Inner cover	6LJ53707500
9	COVER-1-ASY	45689743	COVER-FRT-PILLAR-FX75B	Inner cover front	6LJ53762100
10	COVER-1-ASY	45689746	COVER-TP-FRT-FX75B	Front cover Scan	6LJ53735100
11	COVER-1-ASY		COVER-LEFT-2		6LJ53719000
12	COVER-1-ASY		MYLAR-BAND-COVER-FRT-H21Y		6LJ53767000
13	COVER-1-ASY	45729646	S/TPP/BID-3X8-NI	screw	X0-01989000
14	COVER-1-ASY		SCREW-BKT-DEV		6LA08937000
15	COVER-1-ASY		CA-0168C		F0-01564000
16	COVER-1-ASY	45729584	S/TPP/FHEXM-3X10-NI	screw	X0-02248000
17	COVER-1-ASY		COVER-FRONT-H21Y		6LJ53752000
18	COVER-1-ASY	45729628	ASYS-PAD-CLNR-LED	LED Clean Pad	6LJ54679000
19	COVER-1-ASY		ASYS-ROD-CLNR-LED		6LJ54762000
20	COVER-1-ASY		SHEET-GUIDANCE-H21X		6LJ68344000
21	COVER-1-ASY	45689745	COVER-TRAY-H21X-FX75B	Inner Tray Catch	6LJ53764100
22	COVER-1-ASY	45689744	COVER-STOP-PAPER-470-FX75B	Inner Tray Flip	6LH52423500
23	COVER-1-ASY		COVER-LEFT-REAR2-H21Y		6LJ53747000
24	COVER-1-ASY		COVER-LEFT-PFU		6LJ69439000
25	COVER-1-ASY		COVER-R-LOW-PFU		6LJ69442000
26	COVER-1-ASY		COVER-REAR-TOP-H21Y		6LJ53751000
27	COVER-1-ASY		COVER-LEFT-H21Y		6LJ53732100
28A	COVER-1-ASY	45689754	ASYS-COVER-EMBLEM-ES9465	ES9465	6LJ53774100
28B	COVER-1-ASY	45689755	ASYS-COVER-EMBLEM-ES9475	ES9475	6LJ53774200
29	COVER-1-ASY		COVER-DF-CONNECT-H21Y		6LE40929200
30	COVER-1-ASY		SEAL-LIDTNR-380		6LE28803000
31	COVER-1-ASY	45689750	LID-SCREW-470FW	screw	6LH56607100
32A	COVER-1-ASY		LBL-SERVICE-45		44204604000
32B	COVER-1-ASY		LBL-SERVICE-CABLE		6LH45852000
33A	COVER-1-ASY		LBL-PROHIBIT-E-H20X		6LJ34708000
33B	COVER-1-ASY	45689748	LBL-PROHIBIT-U-H20X	ODNA	6LJ34706000
34	COVER-1-ASY		LBL-HVT-BIT		4406550190
35	COVER-1-ASY	45729638	S/FHEXM-M3X6-NI	screw	X0-02230000
36	COVER-1-ASY		MYLAR-COV-FRONT		6LJ53768000
40	COVER-1-ASY	45689747	PLATE-LOGO-FX75B		6LJ53773000
41	COVER-1-ASY		LBL-HOT-H21Y		6LJ58781000

This Illustrated Parts Manual is to be used for part identification. Part numbers for the most often used parts are listed. To obtain parts for items that do not list an associated part number contact **Oki Data Technical Support at 866.654.1725** for specific part numbers and part ordering information

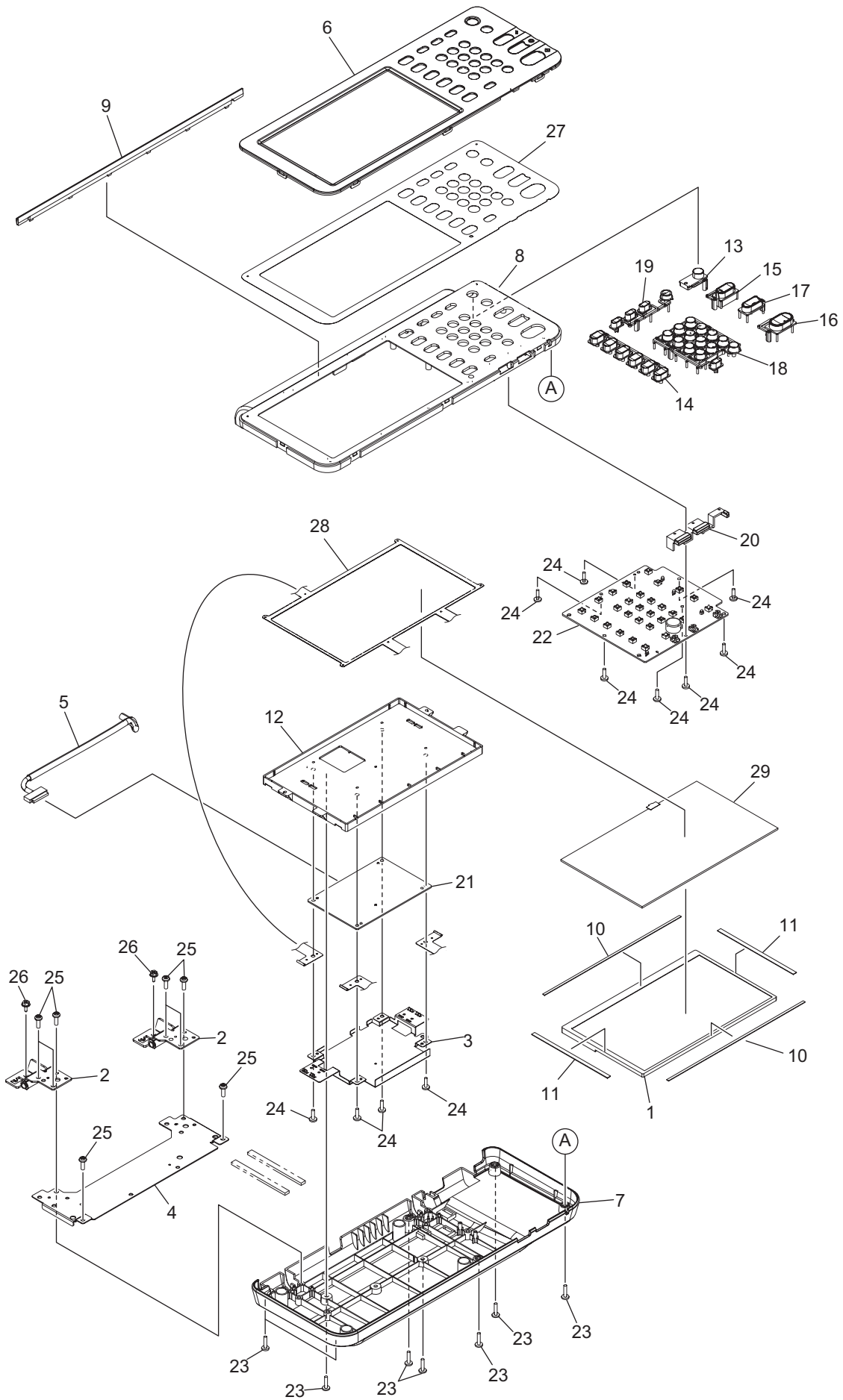
COVER-2-ASY



No.	Unit Name	Part Number	Description	Remarks	Reference
1	COVER-2-ASY		LOCK-CRG-H21X		6LJ59784000
2	COVER-2-ASY	45729639	S/TPS/FHEXM/R-3X8-ZU3	screw	X0-02420000
3	COVER-2-ASY		COVER-TP-LFT-H21X		6LJ59793000
4	COVER-2-ASY	45729640	S/FHEXM-M4X8-NI	screw	X0-02235000
5	COVER-2-ASY		COVER-TP-RER-H21X		6LJ59841000
6	COVER-2-ASY	45729638	S/FHEXM-M3X6-NI	screw	X0-02230000
7	COVER-2-ASY		ASYS-COV-TP-RGT-H21X		6LJ59792000
9	COVER-2-ASY	45729573	LID-SCREW-470	cover	6LH56607000
10	COVER-2-ASY		LBL-HOT-350-2		6LA47633000

This Illustrated Parts Manual is to be used for part identification. Part numbers for the most often used parts are listed. To obtain parts for items that do not list an associated part number contact **Oki Data Technical Support at 866.654.1725** for specific part numbers and part ordering information

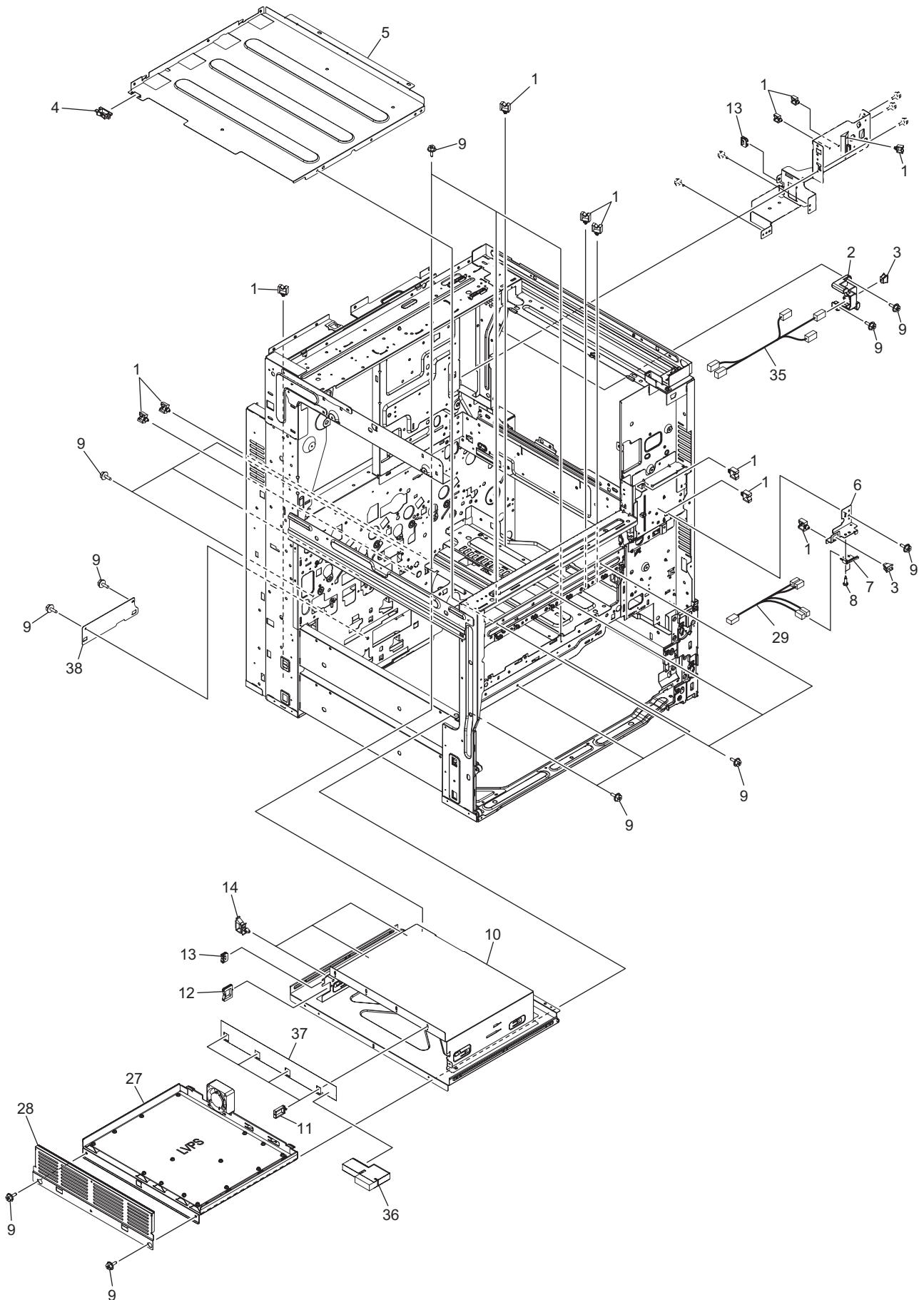
CONTROL-PANEL-ASY



No.	Unit Name	Part Number	Description	Remarks	Reference
1	CONTROL-PANEL-ASY		ASYS-DSP-LCD-H21X	LCD	6LJ53405000
2	CONTROL-PANEL-ASY		ASYS-HINGE-H21X		6LJ53433000
3	CONTROL-PANEL-ASY		ASYS-SHIELD-PLATE		6LJ53406000
4	CONTROL-PANEL-ASY		BRACKET-BASE		6LJ53412000
5	CONTROL-PANEL-ASY		CABLE-IF-H21Y		6LJ53467000
6	CONTROL-PANEL-ASY		COV-CONP-CLEAR-H21X		6LJ53416000
7	CONTROL-PANEL-ASY		COVER-CONPANE-LWR-H21X		6LJ53415000
8	CONTROL-PANEL-ASY	45689751	COVER-CONPANE-UPR-FX75B	Cover	6LJ53470000
9	CONTROL-PANEL-ASY		COVER-UPR-RIM		6LJ53432000
10	CONTROL-PANEL-ASY		CUSHION-LCD-L-H21X		6LJ53451000
11	CONTROL-PANEL-ASY		CUSHION-LCD-S-H21X		6LJ53452000
12	CONTROL-PANEL-ASY		HOLDER-LCD-H21X		6LJ53411000
13	CONTROL-PANEL-ASY		KEY-ENERGY-H21X		6LJ53468000
14	CONTROL-PANEL-ASY		KEY-FUNCTION		6LJ53424000
15	CONTROL-PANEL-ASY		KEY-RESET-H21X-U		6LJ53420000
16	CONTROL-PANEL-ASY		KEY-START		6LJ53428000
17	CONTROL-PANEL-ASY		KEY-STOP		6LJ53429000
18	CONTROL-PANEL-ASY		KEY-TEN-H21X		6LJ53425000
19	CONTROL-PANEL-ASY		KEY-USER-FUNC-H21X		6LJ53423000
20	CONTROL-PANEL-ASY		LID-LED-H21X		6LJ53418000
21	CONTROL-PANEL-ASY	45735703	PWA-DISP-H21X		6LJ53430000
22	CONTROL-PANEL-ASY	45735704	PWA-KEY-H21X		6LJ53431000
23	CONTROL-PANEL-ASY		S/TPP/BID-3X10-NI		X0-02596000
24	CONTROL-PANEL-ASY	45729646	S/TPP/BID-3X8-NI	screw	X0-01989000
25	CONTROL-PANEL-ASY		S/TPP/PAN-4X10-NI		X0-02036000
26	CONTROL-PANEL-ASY	45729639	S/TPS/FHEXM/R-3X8-ZU3		X0-02420000
27A	CONTROL-PANEL-ASY	45689752	SHEET-PANEL-H280-OKI-U	English	6LK07805000
27B	CONTROL-PANEL-ASY	45729659	SHEET-PANEL-FX75B-F	French	6LJ53471000
27C	CONTROL-PANEL-ASY	45729660	SHEET-PANEL-FX75B-I	Italian	6LJ53471100
27D	CONTROL-PANEL-ASY	45729661	SHEET-PANEL-FX75B-G	German	6LJ53471200
27E	CONTROL-PANEL-ASY	45729662	SHEET-PANEL-FX75B-S	Spanish	6LJ53471300
28	CONTROL-PANEL-ASY		SHIELD-LCD-AL		6LJ53402000
29	CONTROL-PANEL-ASY		TOUCHPANEL-FC		6LJ53410000

This Illustrated Parts Manual is to be used for part identification. Part numbers for the most often used parts are listed. To obtain parts for items that do not list an associated part number contact **Oki Data Technical Support at 866.654.1725** for specific part numbers and part ordering information

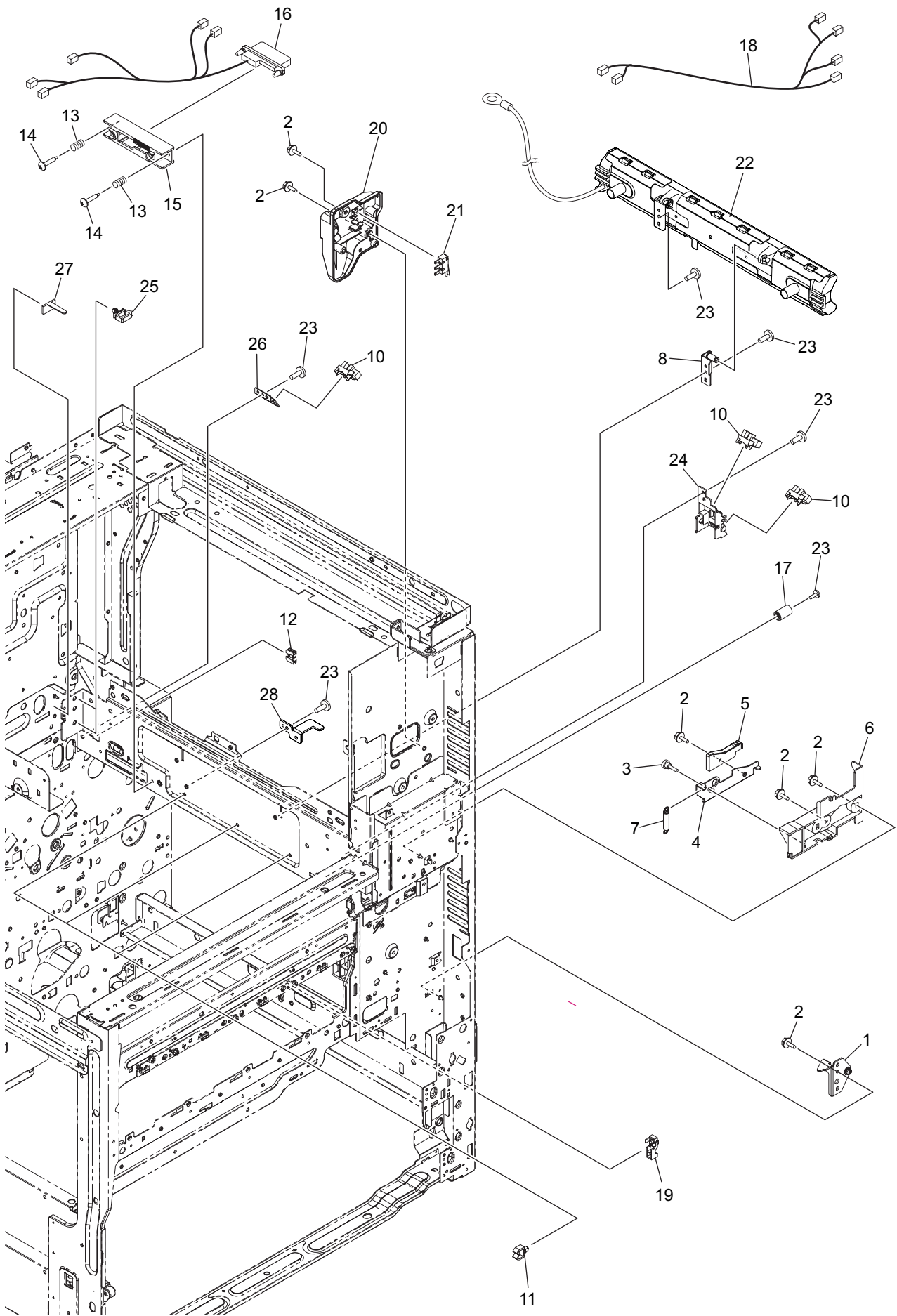
FRAME-1-ASY



No.	Unit Name	Part Number	Description	Remarks	Reference
1	FRAME-1-ASY		MSB-1207		F0-01250000
2	FRAME-1-ASY		HOLD-ADU-HOOK-R-H21Y		6LJ52416000
3	FRAME-1-ASY	45729601	CS1A-B2CA	Switch	E0-01853000
4	FRAME-1-ASY		ESC-0912		F0-01248000
5	FRAME-1-ASY		STAY-TOP-H21Y		6LJ52305100
6	FRAME-1-ASY		BRKT-INTERLOCK-SW-H21Y		6LJ52414000
7	FRAME-1-ASY	45729653	DE2L-BALG	Switch arm	E0-08294000
8	FRAME-1-ASY	45729636	SCREW20*D23	screw	44204394000
9	FRAME-1-ASY	45729639	S/TPS/FHEXM/R-3X8-ZU3	screw	X0-02420000
10	FRAME-1-ASY		ASYS-PLATE-MID-H21Y		6LJ52438000
11	FRAME-1-ASY		RWS-3T V0		F0-01263000
12	FRAME-1-ASY		EDS-1717U		F0-00047000
13	FRAME-1-ASY	45729604	ES-0505	Door catch	F0-00120000
14	FRAME-1-ASY		LWS-0711S-V0		F0-01811000
27	FRAME-1-ASY	45729543	ASYB-PSU-H21X-H	LVPS Pwr. Supply	6LJ61239000
28	FRAME-1-ASY		PLATE-SHLD-LEFT		6LJ53724000
29	FRAME-1-ASY		HRNS-LVPS-INLCSW-212		6LJ61244000
35	FRAME-1-ASY		HRNS-LGC-RELAY-212		6LJ61405000
36A	FRAME-1-ASY		ASYS-SEAL-LVPS-FRT		6LJ54758000
37A	FRAME-1-ASY		SHEET-COVER-LVPS-SIDE		6LJ54756000
38	FRAME-1-ASY		PLATE-BLIND-PFP		6LJ66759000

This Illustrated Parts Manual is to be used for part identification. Part numbers for the most often used parts are listed. To obtain parts for items that do not list an associated part number contact **Oki Data Technical Support at 866.654.1725** for specific part numbers and part ordering information

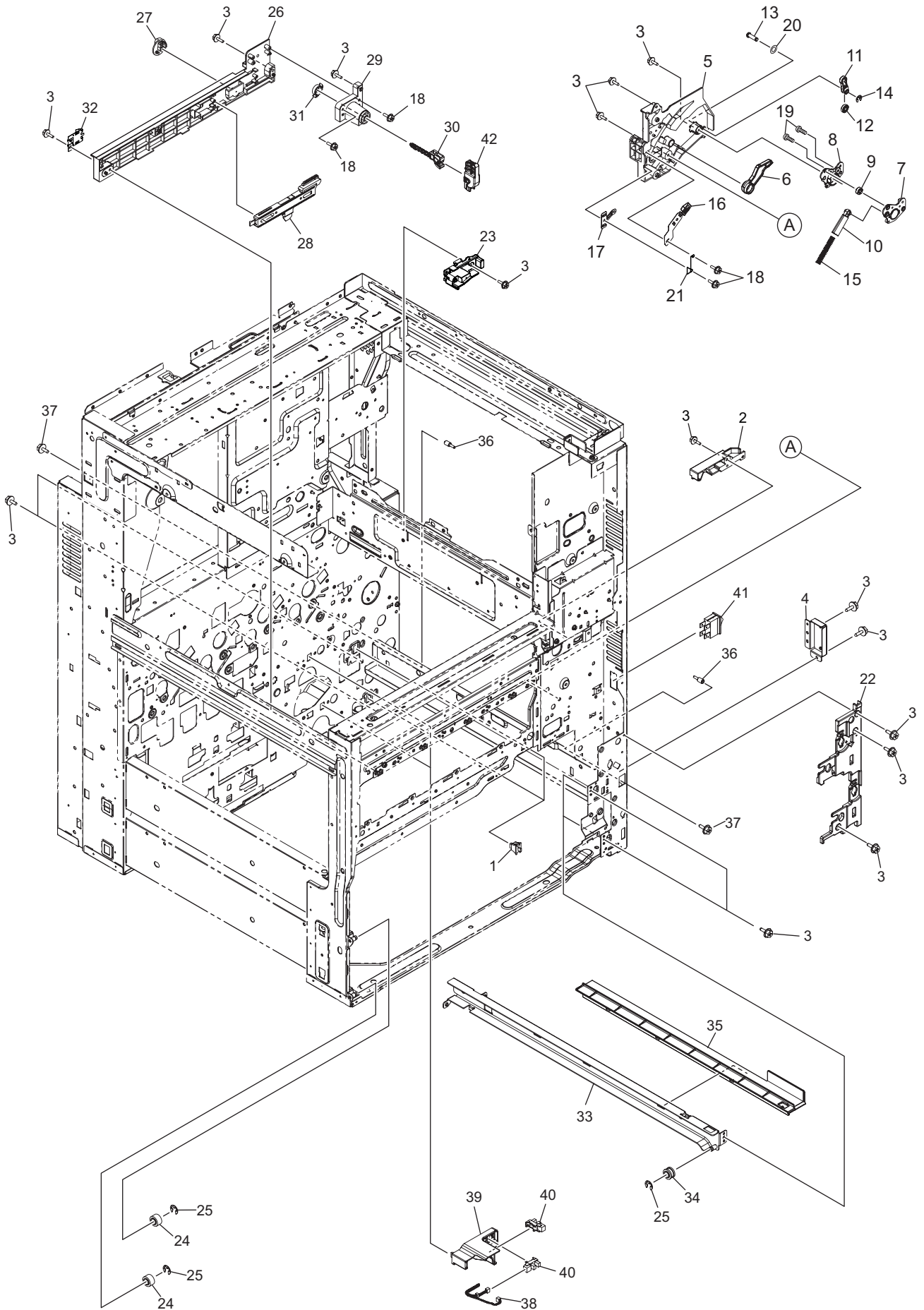
FRAME-2-ASY



No.	Unit Name	Part Number	Description	Remarks	Reference
1	FRAME-2-ASY		ASYB-HINGE-F		6LJ57337000
2	FRAME-2-ASY	45729639	S/TPS/FHEXM/R-3X8-ZU3	screw	X0-02420000
3	FRAME-2-ASY	45729583	SCREW-HLDR-MG	screw	6LA65683000
4	FRAME-2-ASY		LEVER-FUS-F		6LJ58744000
5	FRAME-2-ASY		COVER-LVR-FUS-F		6LJ58745000
6	FRAME-2-ASY		GUIDE-FUS-F		6LJ58738000
7	FRAME-2-ASY		SPG-E-LVR-LOCK-F-H21Y		6LJ58761000
8	FRAME-2-ASY		ASYS-STAY-IHUNIT-H21X		6LJ58828000
10	FRAME-2-ASY	45729574	LG2A14BL1	Photo Sensor	C0-17839000
11	FRAME-2-ASY	45729562	UAMS-05L-0-46	retainer	F0-00270000
12	FRAME-2-ASY	45729604	ES-0505	Door catch	F0-00120000
13	FRAME-2-ASY		SPC068-080-160		6LA14468000
14	FRAME-2-ASY		SCREW-D4-18-M3		4406326040
15	FRAME-2-ASY		HLDR-DRW-FRM-L-H212		6LJ58705000
16	FRAME-2-ASY		HRNS-LVPS-IH-H212		6LJ61026000
17	FRAME-2-ASY		SPG-C-PUSH-FUS-F-H21Y		6LJ58759000
18	FRAME-2-ASY		HRNS-LGC-FUSER-212		6LJ61478000
19	FRAME-2-ASY		BUSH-ROL-6		6LJ56357000
20	FRAME-2-ASY		HOLD-ADU-HOOK-F-H21Y		6LJ52415000
21	FRAME-2-ASY	45729653	DE2L-BALG	switch	E0-08294000
22A	FRAME-2-ASY		ASYB-IHCOIL-H21X-100	ES9465 ODNA	6LJ58857000
22B	FRAME-2-ASY		ASYB-IHCOIL-H21X-H100	ES9475 ODNA	6LJ58857200
22C	FRAME-2-ASY		ASYB-IHCOIL-H21X-200		6LJ58857100
22D	FRAME-2-ASY		ASYB-IHCOIL-H21X-H200		6LJ58857300
23	FRAME-2-ASY	45729645	S/TPS/BID-3X6-ZU3	screw	X0-02069000
24	FRAME-2-ASY		HLDR-SNSR-FUS-F-H21Y		6LJ58808000
25	FRAME-2-ASY		LWS-0511S-V0		F0-01810000
26	FRAME-2-ASY		BRKT-SNSR-FUS-R-CAM		6LJ58728000
27	FRAME-2-ASY		K-103G		F0-00136000
28	FRAME-2-ASY		SUPPT-COIL-IH-H21Y		6LJ58852000

This Illustrated Parts Manual is to be used for part identification. Part numbers for the most often used parts are listed. To obtain parts for items that do not list an associated part number contact **Oki Data Technical Support at 866.654.1725** for specific part numbers and part ordering information

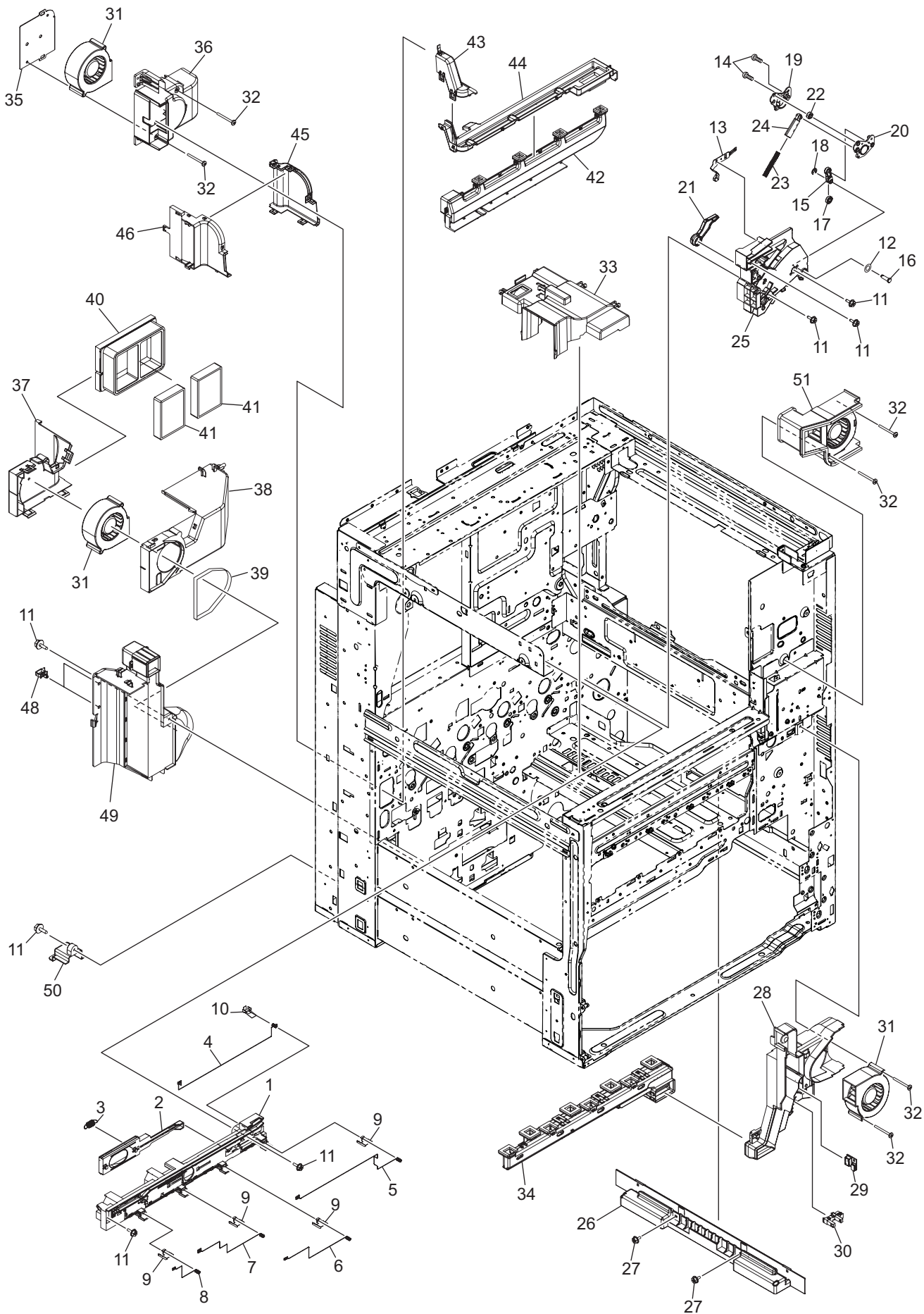
FRAME-3-ASY



No.	Unit Name	Part Number	Description	Remarks	Reference
1	FRAME-3-ASY	45729601	CS1A-B2CA	switch	E0-01853000
2	FRAME-3-ASY		GUIDE-RAIL-TBU-F		6LJ55504000
3	FRAME-3-ASY	45729639	S/TPS/FHEXM/R-3X8-ZU3	screw	X0-02420000
4	FRAME-3-ASY		BRKT-BEAM-SFB-SUB		6LJ52439000
5	FRAME-3-ASY		FRM-PUSH-TRU-F		6LJ55930000
6	FRAME-3-ASY		PUSHER-TRU-WEISS		6LJ55903000
7	FRAME-3-ASY		LINK-PUSH-TRU-A		6LJ55909000
8	FRAME-3-ASY		LINK-PUSH-TRU-B		6LJ55910000
9	FRAME-3-ASY		COLLAR-TRU-PUSH-WEISS		6LJ55904000
10	FRAME-3-ASY		HLDR-SP-TRU		6LJ55900000
11	FRAME-3-ASY		ROD-HLDR-COLLAR		6LJ55905000
12	FRAME-3-ASY		COLLAR-LINK-ADU		6LJ55911000
13	FRAME-3-ASY		SHAFT-TRU-LOCK		6LJ55968000
14	FRAME-3-ASY	45729577	RR/E-3-SS	e-ring	X0-00964000
15	FRAME-3-ASY		SPG-C-TR2-H21X		6LJ55934000
16	FRAME-3-ASY		ASYS-TRU-GND-F-2		6LJ55976000
17	FRAME-3-ASY		SPG-F-RGST-GND		6LJ55908000
18	FRAME-3-ASY	45729589	S/TPP/FHEXM-3X8-NI	screw	X0-02247000
19	FRAME-3-ASY	45729592	S/TPP/PAN-3X6-NI		X0-00595000
20	FRAME-3-ASY		WSHR-4R1X7XR25-APS		6LJ55953000
21	FRAME-3-ASY		ERZV10D821		D0-24198000
22	FRAME-3-ASY		COV-FRT-PILLAR-CST-H21Y		6LJ53749000
23	FRAME-3-ASY		ASYB-LVR-TBU-CPL		6LJ55187000
24	FRAME-3-ASY		ROLL-RAIL-CST-H21X-2		6LJ69393000
25	FRAME-3-ASY	45729579	RR/E-5-SS	e-ring	X0-00966000
26	FRAME-3-ASY		RAIL-TBU-F-H21X		6LJ55514000
27	FRAME-3-ASY		GEAR-LINK-TBU-RAIL		6LJ55587000
28	FRAME-3-ASY		SLIDER-LIFT-K		6LJ55483000
29	FRAME-3-ASY		BRKT-LEVER-TBU		6LJ55570000
30	FRAME-3-ASY		SHAFT-LIFT-H21Y		6LJ55564000
31	FRAME-3-ASY		GEAR-LINK-TBU-LVR		6LJ55569000
32	FRAME-3-ASY		SPG-F-PUSH-TBU-CL		6LJ55441000
33	FRAME-3-ASY		ASYS-RAIL-CST-RIGHT-PFP		6LJ66828000
34	FRAME-3-ASY		ROLL-RAIL-CST-H21X-1		6LJ69392000
35	FRAME-3-ASY		RAIL-FEED-UNIT-L-PFP		6LJ66705000
36	FRAME-3-ASY		STUD-HOOK-COV-H21Y-N		6LJ56356000
37	FRAME-3-ASY	45729638	S/FHEXM-M3X6-NI	screw	X0-02230000
38	FRAME-3-ASY		HRNS-PFP-EMP-212		6LJ61095000
39	FRAME-3-ASY		HOLDER-SNSR-FS-H21X_H		6LJ56265000
40	FRAME-3-ASY	45729574	LG2A14BL1	Photo sensor	C0-17839000
41	FRAME-3-ASY		CF-LA-2KZ2-1C	Power switch	E0-14534000
42	FRAME-3-ASY		LEVER-TBULIFT-H21Y		6LJ55565000

This Illustrated Parts Manual is to be used for part identification. Part numbers for the most often used parts are listed. To obtain parts for items that do not list an associated part number contact **Oki Data Technical Support at 866.654.1725** for specific part numbers and part ordering information

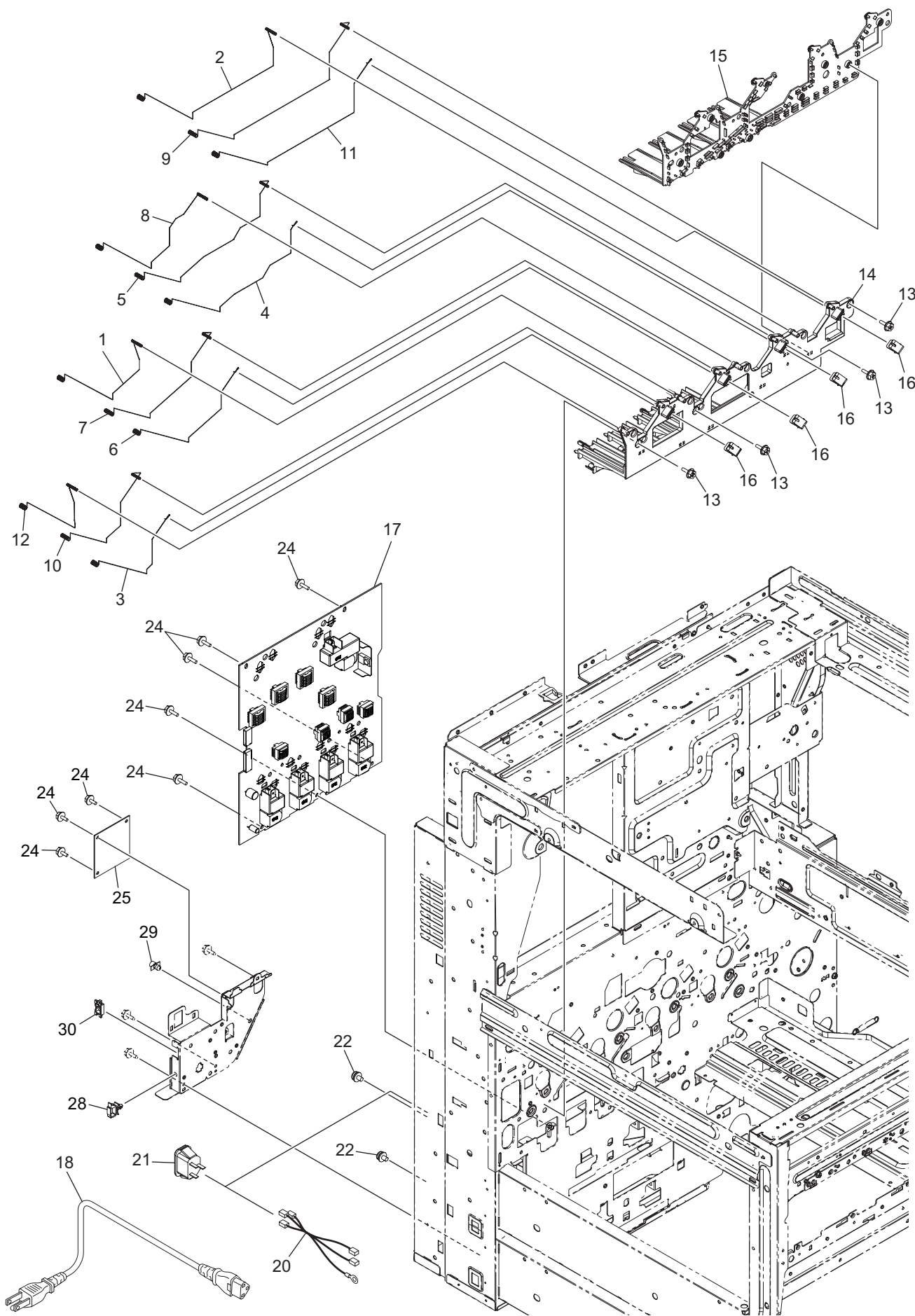
FRAME-4-ASY



No.	Unit Name	Part Number	Description	Remarks	Reference
1	FRAME-4-ASY		RAIL-TBU-R-H21X		6LJ55435000
2	FRAME-4-ASY		LINK-COUPLE-TR1		6LJ55422000
3	FRAME-4-ASY		SPG-E-COUPLE-TR1		6LJ55471000
4	FRAME-4-ASY		SPG-RAIL-HVT-TR2-H21X		6LJ55461000
5	FRAME-4-ASY		SPG-RAIL-HVT-K-H21X		6LJ55460000
6	FRAME-4-ASY		SPG-RAIL-HVT-C-H21X		6LJ55459000
7	FRAME-4-ASY		SPG-RAIL-HVT-M-H21X		6LJ55458000
8	FRAME-4-ASY		SPG-RAIL-HVT-Y-H21X		6LJ55457000
9	FRAME-4-ASY		SPG-F-BIAS-HV-H21X		6LJ55439000
10	FRAME-4-ASY		SPG-F-BIAS-HV-TR2		6LJ55440000
11	FRAME-4-ASY	45729639	S/TPS/FHEXM/R-3X8-ZU3	screw	X0-02420000
12	FRAME-4-ASY		WSHR-4R1X7XR25-APS		6LJ55953000
13	FRAME-4-ASY		ASYS-TRU-GND-R		6LJ55946000
14	FRAME-4-ASY	45729592	S/TPP/PAN-3X6-NI	screw	X0-00595000
15	FRAME-4-ASY		ROD-HLDR-COLLAR		6LJ55905000
16	FRAME-4-ASY		SHAFT-TRU-LOCK		6LJ55968000
17	FRAME-4-ASY		COLLAR-LINK-ADU		6LJ55911000
18	FRAME-4-ASY	45729577	RR/E-3-SS	e-ring	X0-00964000
19	FRAME-4-ASY		LINK-PUSH-TRU-B		6LJ55910000
20	FRAME-4-ASY		LINK-PUSH-TRU-A		6LJ55909000
21	FRAME-4-ASY		PUSHER-TRU-WEISS		6LJ55903000
22	FRAME-4-ASY		COLLAR-TRU-PUSH-WEISS		6LJ55904000
23	FRAME-4-ASY		SPG-C-TR2-H21X		6LJ55934000
24	FRAME-4-ASY		HLDR-SP-TRU		6LJ55900000
25	FRAME-4-ASY		FRM-PUSH-TRU-R		6LJ55967000
26	FRAME-4-ASY		COVER-RIGHT-BOTTOM		6LJ53736000
27	FRAME-4-ASY	45729590	S/TPD3/FHEXM-3X8-ZU3	screw	X0-02593000
28	FRAME-4-ASY		DUCT-FRONT-FAN-H21Y		6LJ53130000
29	FRAME-4-ASY		CHS-CGC5-28		D0-32012000
30	FRAME-4-ASY		LG285L2-R		C0-13512000
31	FRAME-4-ASY		FAN-P7530-430M		6LH09500000
32	FRAME-4-ASY		S/BID-M4X35-NI		X0-00461000
33	FRAME-4-ASY		DUCT-LVPS-H21Y		6LJ53139000
34	FRAME-4-ASY		ASYS-DUCT-DEV-OZN-F-H21Y		6LJ53150000
35	FRAME-4-ASY		PLT-DUCT-DEV-FAN-H21Y		6LJ53146000
36	FRAME-4-ASY		DUCT-DEV-FAN-H21Y		6LJ53138000
37	FRAME-4-ASY		DUCT-OZN-FAN-R-H21Y		6LJ53142000
38	FRAME-4-ASY		DUCT-OZN-FAN-F-H21Y		6LJ53141000
39	FRAME-4-ASY		SEAL-DUCT-OZN-FAN-H21Y		6LJ53155000
40	FRAME-4-ASY		ASYS-HLD-OZN-FIL-H21Y		6LJ53170000
41	FRAME-4-ASY	45689714	FILTER-OZN-SCA-713A	Ozone Filter	6LJ53151000
42	FRAME-4-ASY		ASYS-DUCT-OZN-REAR-H21Y		6LJ53148000
43	FRAME-4-ASY		ASYS-DUCT-DEV-REAR1-H21Y		6LJ53177000
44	FRAME-4-ASY		ASYS-DUCT-DEV-REAR2-H21Y		6LJ53178000
45	FRAME-4-ASY		DUCT-DEV-PASS-L-H21Y		6LJ53137000
46	FRAME-4-ASY		DUCT-DEV-PASS-R-H21Y		6LJ53136000
48	FRAME-4-ASY		LWS-1316S-V0		F0-01813000
49	FRAME-4-ASY		ASYS-DUCT-OZN-R-PASS-H21Y		6LJ53169000
50	FRAME-4-ASY		COVER-BOTTOM-HOLE-H21Y		6LJ52842000
51	FRAME-4-ASY		ASYB-EXIT-COOL-H21Y		6LJ53154000

This Illustrated Parts Manual is to be used for part identification. Part numbers for the most often used parts are listed. To obtain parts for items that do not list an associated part number contact **Oki Data Technical Support at 866.654.1725** for specific part numbers and part ordering information

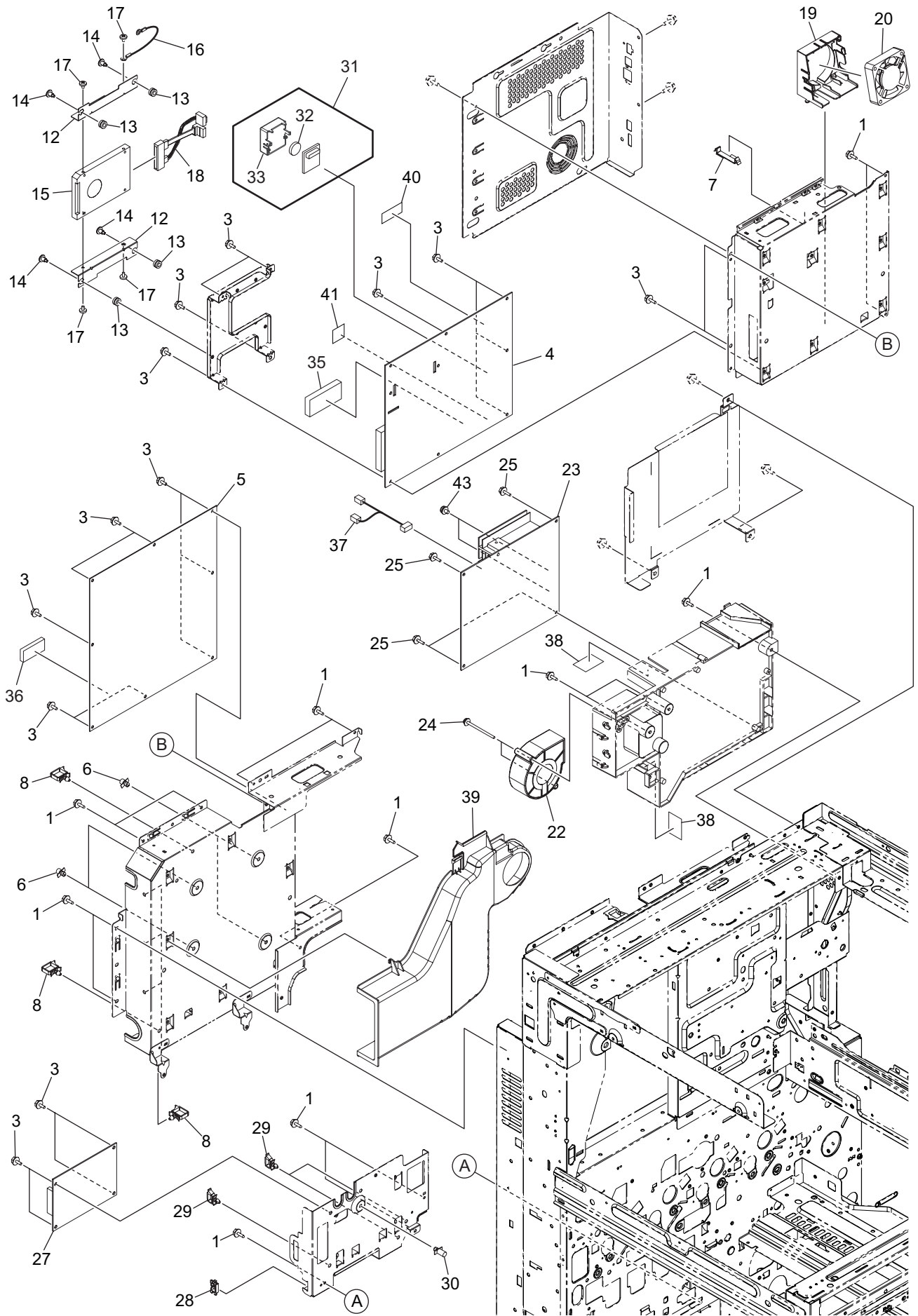
ELECTRIC-ASY



No.	Unit Name	Part Number	Description	Remarks	Reference
1	ELECTRIC-ASY		SPG-BIASDEV-H21X-M		6LJ54615000
2	ELECTRIC-ASY		SPG-BIASDEV-H21X-K		6LJ54613000
3	ELECTRIC-ASY		SPG-BIASGRID-H21X-Y		6LJ54619000
4	ELECTRIC-ASY		SPG-BIASGRID-H21X-C		6LJ54621000
5	ELECTRIC-ASY		SPG-BIASMAIN-H21X-C		6LJ54611000
6	ELECTRIC-ASY		SPG-BIASGRID-H21X-M		6LJ54620000
7	ELECTRIC-ASY		SPG-BIASMAIN-H21X-M		6LJ54612000
8	ELECTRIC-ASY		SPG-BIASDEV-H21X-C		6LJ54614000
9	ELECTRIC-ASY		SPG-BIASMAIN-H21X-K		6LJ54617000
10	ELECTRIC-ASY		SPG-BIASMAIN-H21X-Y		6LJ54616000
11	ELECTRIC-ASY		SPG-BIASGRID-H21X-K		6LJ54622000
12	ELECTRIC-ASY		SPG-BIASDEV-H21X-Y		6LJ54618000
13	ELECTRIC-ASY	45729639	S/TPS/FHEXM/R-3X8-ZU3	screw	X0-02420000
14	ELECTRIC-ASY		HOLDER-HVEPU-H21X		6LJ54623000
15	ELECTRIC-ASY		LID-HVTEPU-H21X		6LJ54731000
16	ELECTRIC-ASY		SPG-F-CASE-H21X		6LJ54604000
17	ELECTRIC-ASY	45729541	PS-HVT-H212	HVT	6LJ61092000
18A	ELECTRIC-ASY		CABLE-P-INLET-AR		6LE95824000
18B	ELECTRIC-ASY		CABLE-P-INLET-AU		6LE95823000
18C	ELECTRIC-ASY		CABLE-P-INLET-EUR		6LE95822000
18D	ELECTRIC-ASY		CABLE-P-INLET-NAD-15A		6LJ60950000
18E	ELECTRIC-ASY		CABLE-P-INLET-UK		6LE95825000
20	ELECTRIC-ASY		HRNS-INLET-LVPS-H212		6LJ61022000
21	ELECTRIC-ASY		AC-P10CF34		E0-12842000
22	ELECTRIC-ASY		USUITA-SPSEMS-4X6-6		6LJ52428000
24	ELECTRIC-ASY	45729638	S/FHEXM-M3X6-NI	screw	X0-02230000
25A	ELECTRIC-ASY		ASYB-FIL-H212U	ODNA	6LJ61339000
25B	ELECTRIC-ASY		ASYB-FIL-H212E	OEL/Asia	6LJ61339100
28	ELECTRIC-ASY		LWS-0711S-V0		F0-01811000
29	ELECTRIC-ASY		SPSN-4U		F0-00331000
30	ELECTRIC-ASY		ESC-0912		F0-01248000

This Illustrated Parts Manual is to be used for part identification. Part numbers for the most often used parts are listed. To obtain parts for items that do not list an associated part number contact **Oki Data Technical Support at 866.654.1725** for specific part numbers and part ordering information

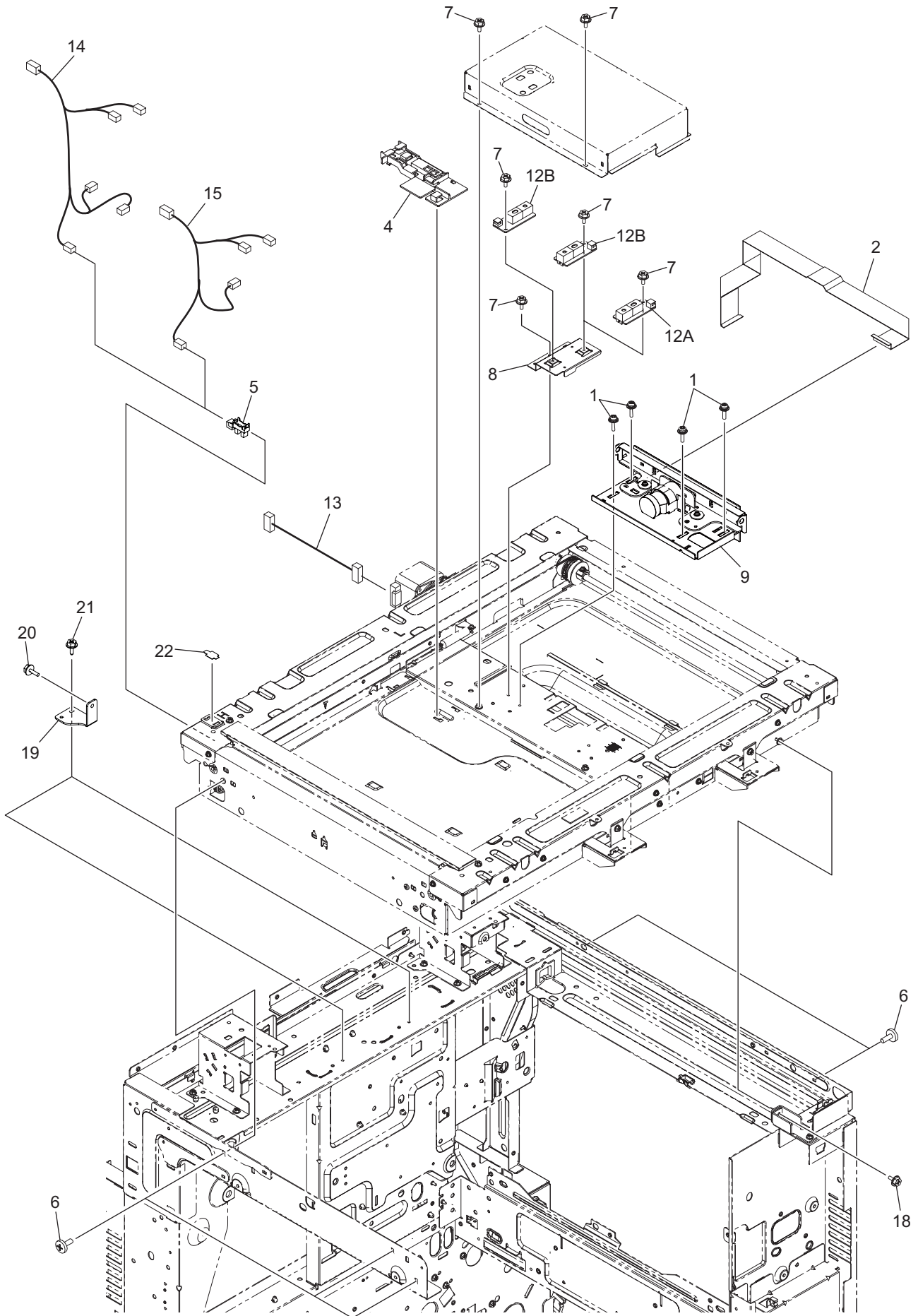
CASE-SYS-LGC-ASY



No.	Unit Name	Part Number	Description	Remarks	Reference
1	CASE-SYS-LGC-ASY	45729639	S/TPS/FHEXM/R-3X8-ZU3	screw	X0-02420000
3	CASE-SYS-LGC-ASY	45729638	S/FHEXM-M3X6-NI	screw	X0-02230000
4A	CASE-SYS-LGC-ASY	45729544	ASYB-PWA-SYS-312S	ES9465	6LJ61654000
4B	CASE-SYS-LGC-ASY	45729536	ASYB-PWA-SYS-313S	ES9475	6LJ61654100
5B	CASE-SYS-LGC-ASY	45729538	ASYB-LGC-213S	ES9465	6LJ61277100
5D	CASE-SYS-LGC-ASY	45729539	ASYB-LGC-215S	ES9475	6LJ61277300
6	CASE-SYS-LGC-ASY		SPSN-4U		F0-00331000
7	CASE-SYS-LGC-ASY		RFC-33V0		F0-01418000
8	CASE-SYS-LGC-ASY		LWS-1316S-V0		F0-01813000
12	CASE-SYS-LGC-ASY	45729608	BRKT-HDD-16X	bracket	6LJ12507000
13	CASE-SYS-LGC-ASY	45729611	VB-1006-95T	retainer	F0-01939000
14	CASE-SYS-LGC-ASY	45729637	SCREW-HDD-CASE_M3	screw	6LH53114000
15	CASE-SYS-LGC-ASY	45729533	MQ01ABU032W	HDD	G0-00732000
16	CASE-SYS-LGC-ASY		HRNS-HDDFG-364		6LE78184000
17	CASE-SYS-LGC-ASY	45729585	S/BID-M3X4-NI	screw	X0-00426000
18	CASE-SYS-LGC-ASY	45729658	HRNS-HDD-210	HDD Harness	6LJ60985000
19	CASE-SYS-LGC-ASY		DUCT-SYS-FAN-H21X		6LJ53196000
20	CASE-SYS-LGC-ASY		FAN_D-SYS-6015-H21X		6LJ53114000
22	CASE-SYS-LGC-ASY		ASYS-IH-FAN-P7530-H21Y		6LJ53173000
23A	CASE-SYS-LGC-ASY		ASYB-IH-212E		6LJ61445200
23B	CASE-SYS-LGC-ASY		ASYB-IH-212U		6LJ61445100
24	CASE-SYS-LGC-ASY		S/PAN/SWWP-M3X35-NI		X0-02484000
25	CASE-SYS-LGC-ASY	45729589	S/TPP/FHEXM-3X8-NI	screw	X0-02247000
27	CASE-SYS-LGC-ASY		ASYB-DRV-212		6LJ61575000
28	CASE-SYS-LGC-ASY		ESC-0912		F0-01248000
29	CASE-SYS-LGC-ASY		LWS-0711S-V0		F0-01811000
30	CASE-SYS-LGC-ASY		SPSN-8U		F0-00334000
31	CASE-SYS-LGC-ASY	45729534	ASYB-SRAM-430S	LGC SRAM	6LH09585000
32	CASE-SYS-LGC-ASY	45729605	LI-BAT-CR-2450	Battery (SRAM)	6LE90510000
33	CASE-SYS-LGC-ASY		COVER-SRAM-BOARD		6LH01123000
35	CASE-SYS-LGC-ASY	45729618	M471B5773DH0-CK0		C0-18596000
36	CASE-SYS-LGC-ASY		BR24T128-W		C0-18078000
37	CASE-SYS-LGC-ASY		HRNS-LGC-IH-212		6LJ60962000
38	CASE-SYS-LGC-ASY		SHEET-CASE-IH		6LJ58786000
39	CASE-SYS-LGC-ASY		DUCT-IH-COOL-H21Y		6LJ53145000
40	CASE-SYS-LGC-ASY		SHEET-SHIELD-15X30-212		6LJ61361000
41	CASE-SYS-LGC-ASY		SHEET-SHIELD-20X20-212		6LJ61344000
43	CASE-SYS-LGC-ASY		USUITA-SPSEMS-4X6-6		6LJ52428000

This Illustrated Parts Manual is to be used for part identification. Part numbers for the most often used parts are listed. To obtain parts for items that do not list an associated part number contact **Oki Data Technical Support at 866.654.1725** for specific part numbers and part ordering information

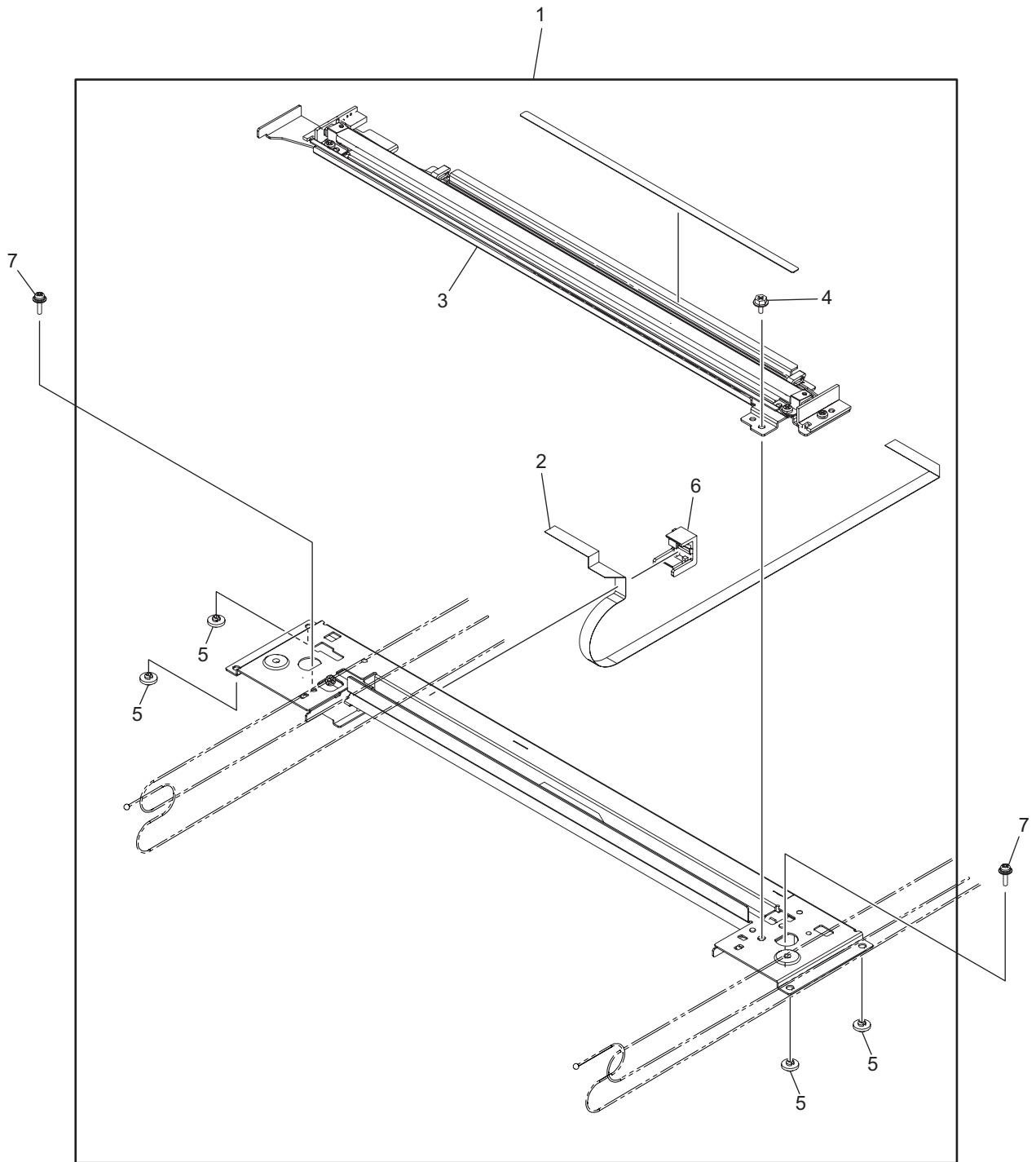
OPTICAL-FRAME-ASY



No.	Unit Name	Part Number	Description	Remarks	Reference
1	OPTICAL-FRAME-ASY	45729591	S/PAN/SWWP-M3X8-NI	screw	X0-00077000
2	OPTICAL-FRAME-ASY		HRNS-SCN-SYS-212		6LJ61661000
4	OPTICAL-FRAME-ASY		GUIDE-HRNS-SCAN-H21X		6LJ59742000
5	OPTICAL-FRAME-ASY	45729574	LG2A14BL1	Photo sensor	C0-17839000
6	OPTICAL-FRAME-ASY	45729641	S/BID-M3X6-NI		X0-00430000
7A	OPTICAL-FRAME-ASY		S/FHEXM-M3X6-NI		X0-02230000
7B	OPTICAL-FRAME-ASY	45729638	S/FHEXM-M3X6-NI	screw	X0-02230000
8	OPTICAL-FRAME-ASY		BRKT-APS-H21X		6LJ59761000
9	OPTICAL-FRAME-ASY	45729548	LENS-H21Y	Lens assembly	6LJ70380200
12A	OPTICAL-FRAME-ASY		SNSR-PS-181EL1-S42		6LE63995000
12B	OPTICAL-FRAME-ASY		SNSR-PS-181EL1-S42	Sensor ODNA	6LE63995000
13	OPTICAL-FRAME-ASY		HRNS-SCN-MOT-210		6LJ60440000
14A	OPTICAL-FRAME-ASY		HRNS-SCN-SNSR-212		6LJ61098000
15A	OPTICAL-FRAME-ASY		HRNS-SCN-SNSR-A-212		6LJ61116000
18	OPTICAL-FRAME-ASY		S/FHEXM-M3X10-NI		X0-02232000
19	OPTICAL-FRAME-ASY		BRKT-CNT-SCAN-R-H21X		6LJ52385000
20	OPTICAL-FRAME-ASY	45729635	S/FHEXM-M3X8-NI	screw	X0-02231000
21	OPTICAL-FRAME-ASY	45729639	S/TPS/FHEXM/R-3X8-ZU3	screw	X0-02420000
22	OPTICAL-FRAME-ASY		MYLAR-HP-SNSR-H21Y		6LJ59840000

This Illustrated Parts Manual is to be used for part identification. Part numbers for the most often used parts are listed. To obtain parts for items that do not list an associated part number contact **Oki Data Technical Support at 866.654.1725** for specific part numbers and part ordering information

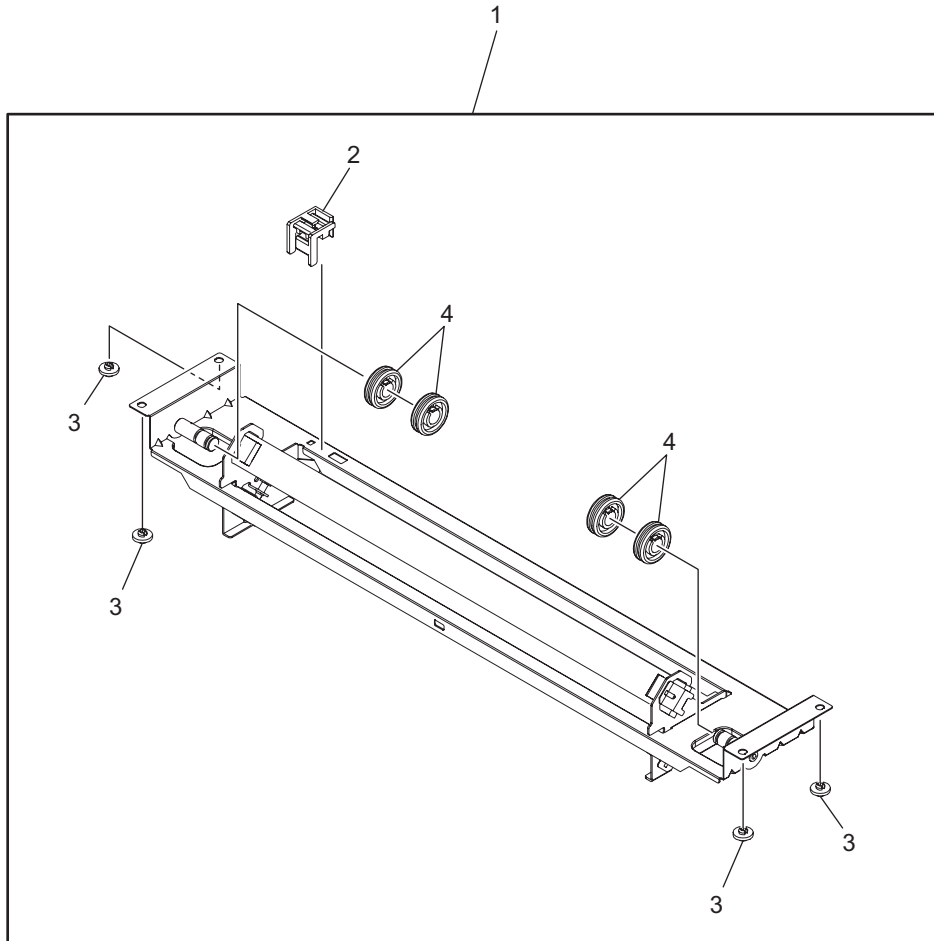
CRG-1-ASY



No.	Unit Name	Part Number	Description	Remarks	Reference
1	CRG-1-ASY		CRG1-H21Y		6LJ59895200
2	CRG-1-ASY		HRNS-SCN-LED-212		6LJ61097000
3	CRG-1-ASY	45729547	ASYB-LAMP-SCN-LED-H21Y	reflector	6LJ59882000
4	CRG-1-ASY	45729638	S/FHEXM-M3X6-NI	screw	X0-02230000
5	CRG-1-ASY		FOOT-CRG-H21X		6LJ59748000
6	CRG-1-ASY		HLDR-HRNS-LED-H21X		6LJ59737000
7	CRG-1-ASY	45729591	S/PAN/SWWP-M3X8-NI	screw	X0-00077000

This Illustrated Parts Manual is to be used for part identification. Part numbers for the most often used parts are listed. To obtain parts for items that do not list an associated part number contact **Oki Data Technical Support at 866.654.1725** for specific part numbers and part ordering information

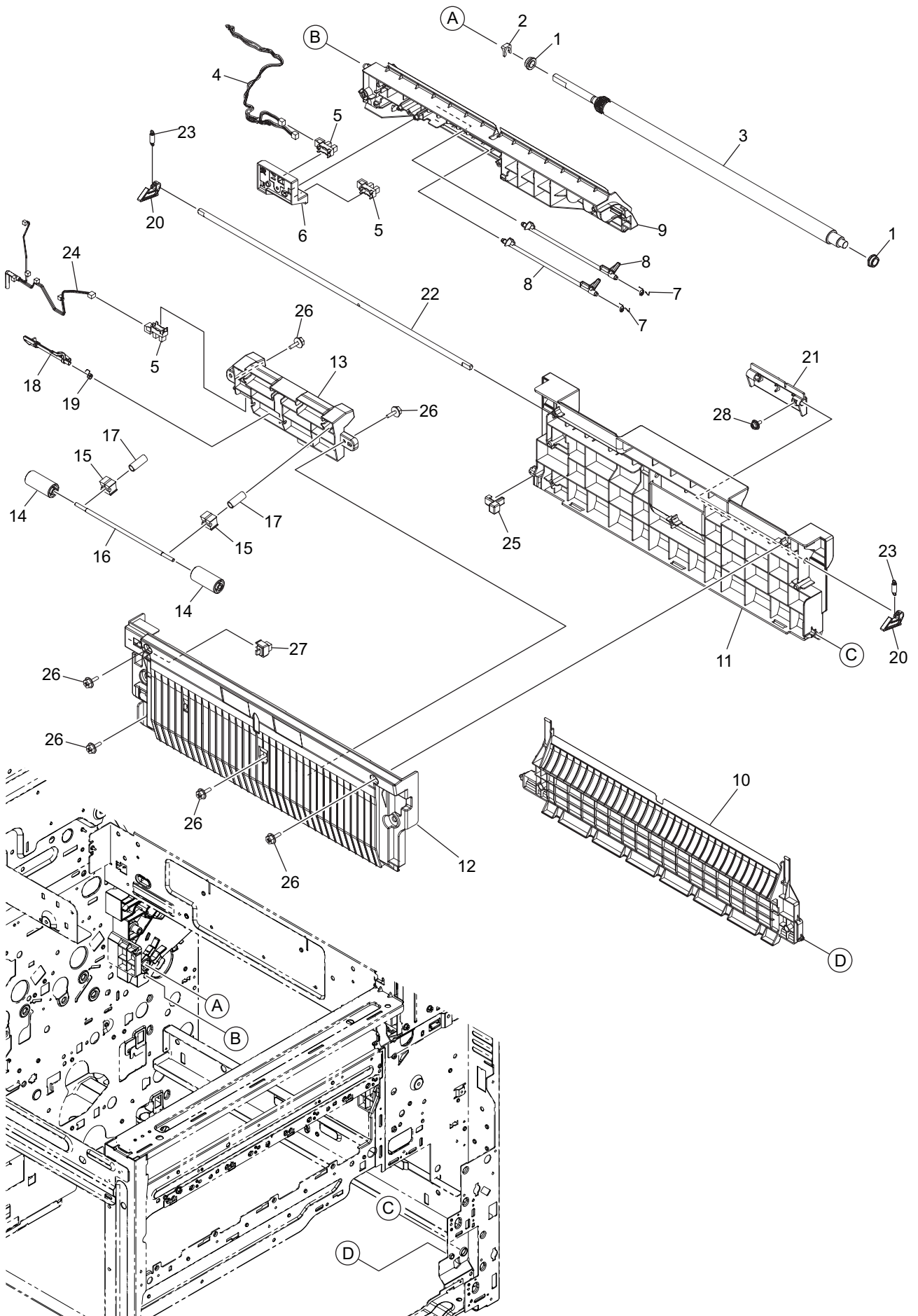
CRG-2-ASY



No.	Unit Name	Part Number	Description	Remarks	Reference
1	CRG-2-ASY	45729545	CRG2-H210N	Carriage Ass'y	6LJ59896000
2	CRG-2-ASY		HLDR-HRNS-LED-210C2		6LJ59737100
3	CRG-2-ASY		FOOT-CRG-H21X		6LJ59748000
4	CRG-2-ASY		PLY-19-H21X		6LJ59707000

This Illustrated Parts Manual is to be used for part identification. Part numbers for the most often used parts are listed. To obtain parts for items that do not list an associated part number contact **Oki Data Technical Support at 866.654.1725** for specific part numbers and part ordering information

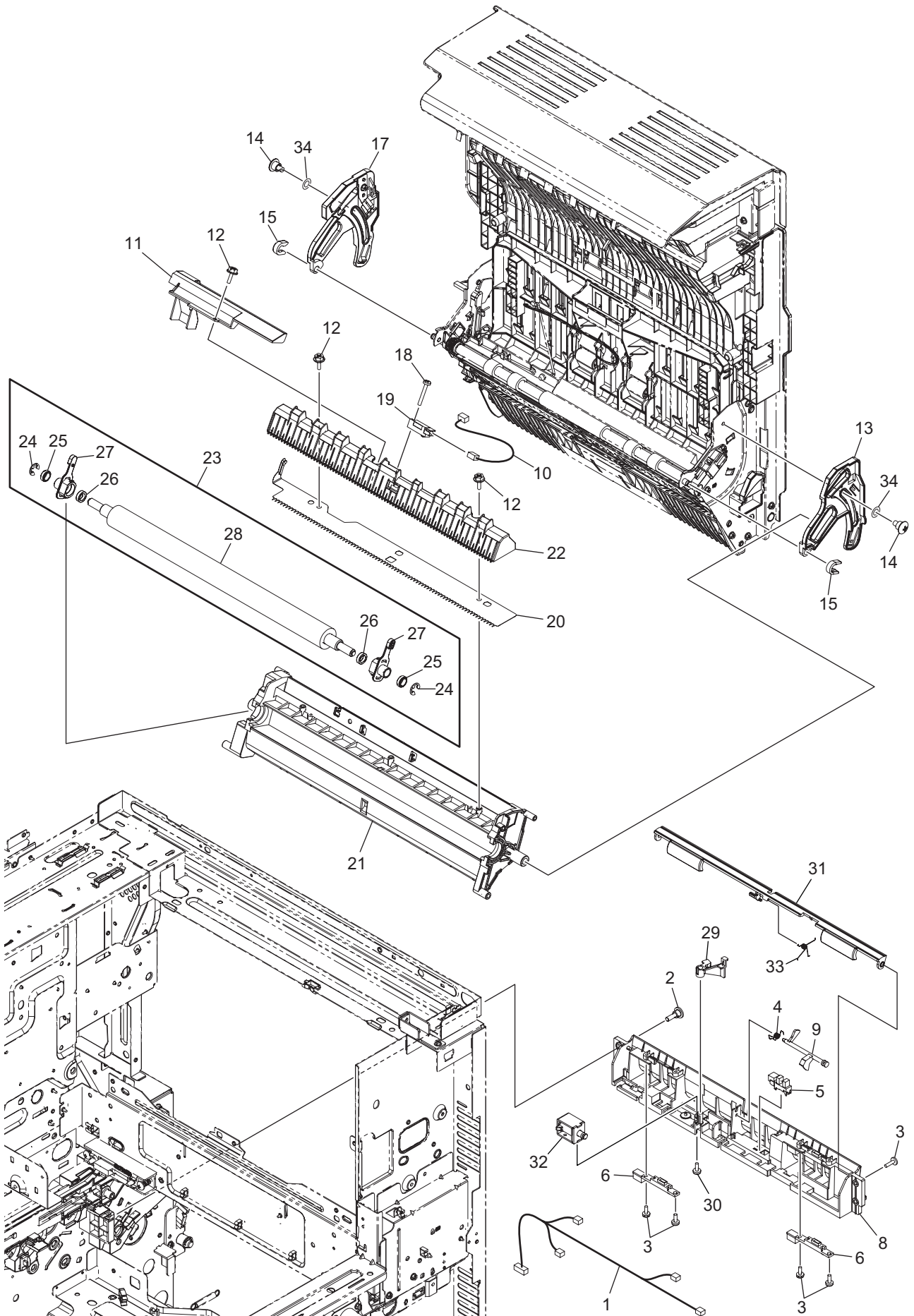
GUIDE-RGST-ASY



No.	Unit Name	Part Number	Description	Remarks	Reference
1	GUIDE-RGST-ASY		BUSH-8X12-POM		6LJ56226000
2	GUIDE-RGST-ASY	45729652	STOP-RING-8	Retaining clip	41306265000
3	GUIDE-RGST-ASY		ASYB-ROLLER-RGST-L-H21Y		6LJ56368000
4	GUIDE-RGST-ASY		HRNS-SNR-212		6LJ61020000
5	GUIDE-RGST-ASY	45729574	LG2A14BL1	Photo sensor	C0-17839000
6	GUIDE-RGST-ASY		HOLDER-SNSR-RGST-H21X_L		6LJ56205000
7	GUIDE-RGST-ASY		ACTR-FEED-H21X_L		6LJ56200000
8	GUIDE-RGST-ASY		SPG-ACT-FEED-H21X_L		6LJ56206000
9	GUIDE-RGST-ASY		ASYS-GUIDE-RGST-L-H21X_L		6LJ56348000
10	GUIDE-RGST-ASY		ASYS-GID-TRNS-OPEN-H21Y		6LJ56347000
11	GUIDE-RGST-ASY		COVER-FEED-LOW-H21Y		6LJ56303000
12	GUIDE-RGST-ASY		GUIDE-FEED-R-LOW-H21Y		6LJ56304000
13	GUIDE-RGST-ASY		HOLDER-ROL-IDL-TRNS-H21Y		6LJ56306000
14	GUIDE-RGST-ASY		ROL-RELAY-IDL-PFP		6LH57916000
15	GUIDE-RGST-ASY	45729613	BUSH-FEED-IDL	Bushing idler	6LH34715000
16	GUIDE-RGST-ASY		SHAFT-RELAY-IDL-H21Y		6LJ56308000
17	GUIDE-RGST-ASY		SPG-C-ROL-TRNS-H21Y		6LJ56337000
18	GUIDE-RGST-ASY		ACTR-LOIRE-PFP		6LH57921000
19	GUIDE-RGST-ASY		SPG-T-SNSR-LOW-350		6LH57936000
20	GUIDE-RGST-ASY		HOOK-COVER-PFP		6LH58005000
21	GUIDE-RGST-ASY		KNOB-COVER-LOIRE-N		6LH57995100
22	GUIDE-RGST-ASY		SHAFT-HOOK-COV-H21Y		6LJ56309000
23	GUIDE-RGST-ASY		SPG-E-4R9XR6X18R2-HOOK		6LH58002000
24	GUIDE-RGST-ASY		HRNS-PFU-COV-212		6LJ61096000
25	GUIDE-RGST-ASY		STOPPER-COV-FED		44201629000
26	GUIDE-RGST-ASY	45729589	S/TPP/FHEXM-3X8-NI	screw	X0-02247000
27	GUIDE-RGST-ASY	45729654	SP-CS3A-B2BA	Switch	4402859600
28	GUIDE-RGST-ASY	45729644	S/PAN/SWWP-M3X6-ZU3	screw	X0-02551000
29	GUIDE-RGST-ASY	45729639	S/TPS/FHEXM/R-3X8-ZU3	screw	X0-02420000

This Illustrated Parts Manual is to be used for part identification. Part numbers for the most often used parts are listed. To obtain parts for items that do not list an associated part number contact **Oki Data Technical Support at 866.654.1725** for specific part numbers and part ordering information

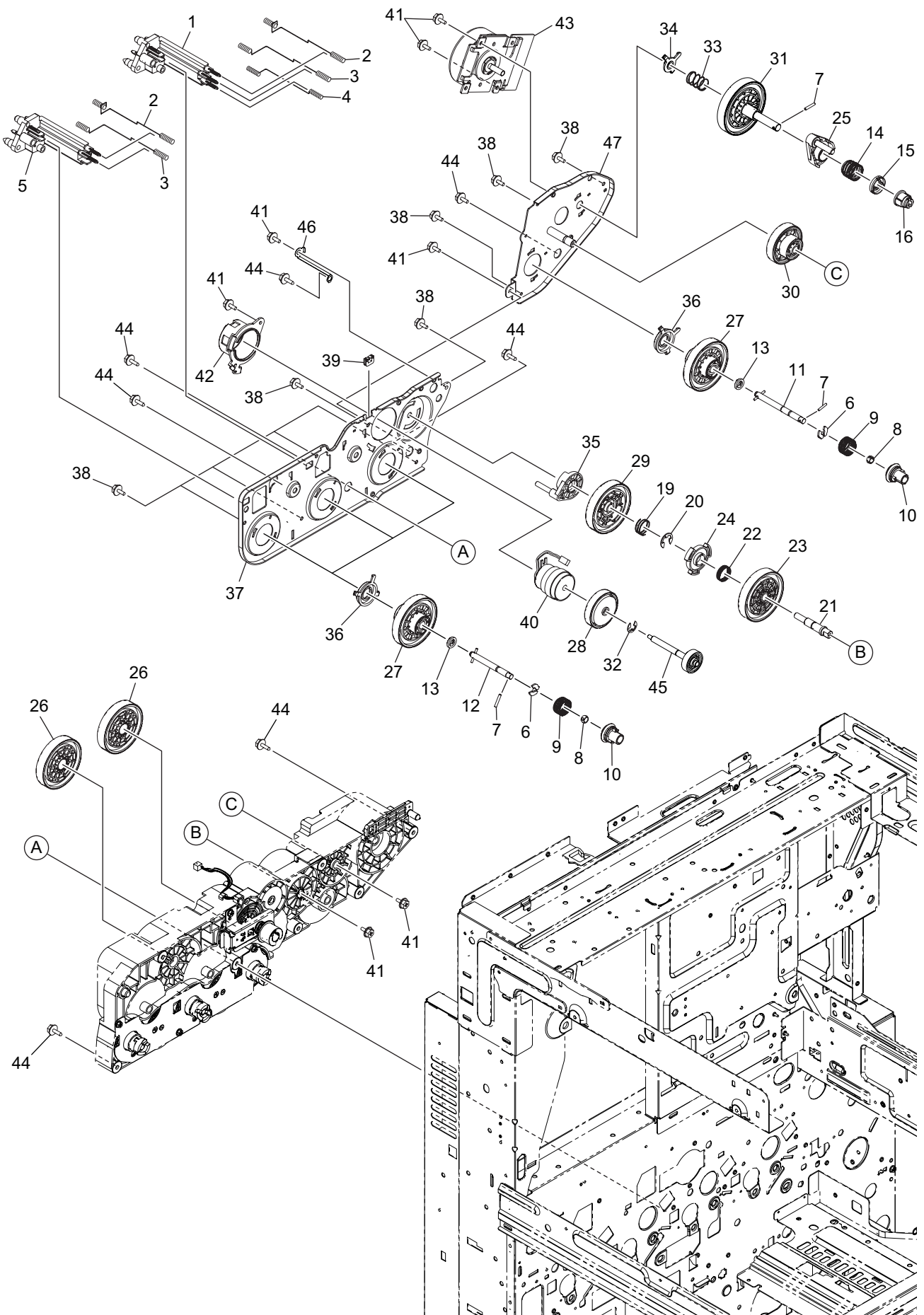
TRU-ASY



No.	Unit Name	Part Number	Description	Remarks	Reference
1	TRU-ASY		HRNS-PSNR-210		6LJ60663000
2	TRU-ASY		SCREW-M3X8-3.2-P		6LH05511000
3	TRU-ASY	45729586	S/TPP/BID-3X8-NI	screw	6LA80090000
4	TRU-ASY		SPG-T-ACTR-IMG-POS		6LJ55926000
5	TRU-ASY	45729574	LG2A14BL1	Photo sensor	C0-17839000
6	TRU-ASY		SNSR-POS-CTD-210		6LJ60494000
8	TRU-ASY		ASYS-CASE-GUIDE-IMG-POS		6LJ55970000
9	TRU-ASY		ACTR-GUIDE-IMG-POS		6LJ55971000
10	TRU-ASY		HRNS-TRU-210		6LJ60320000
11	TRU-ASY		COVER-HRNS-TRU		6LJ55937000
12	TRU-ASY	45729589	S/TPP/FHEXM-3X8-NI	screw	X0-02247000
13	TRU-ASY		HLDR-TRU-F		6LJ55956000
14	TRU-ASY		SCREW-LOCK-ARM		6LA37669000
15	TRU-ASY	45729597	STOP-RING-6-5	Retaining clip	4407972860
17	TRU-ASY		ASYB-HLDR-TRU-R		6LJ55957000
18	TRU-ASY		S/TPP/PAN-3X16-NI		X0-02127000
19	TRU-ASY	45729629	PS119ED1	sensor	C0-15007000
20	TRU-ASY		PLT-EARTH-TRU-H21X		6LJ55912000
21	TRU-ASY		CASE-TRU-WEISS		6LJ55933000
22	TRU-ASY		GUIDE-TRU-H21X		6LJ55915000
23	TRU-ASY		ASYB-ROLLER-TR2-H21X-L		6LJ55941000
24	TRU-ASY	45729578	RR/E-4-SS	e-ring	X0-00965000
25	TRU-ASY		RING-TRU-ROL		6LJ55913000
26	TRU-ASY	45729556	L-1280ZZHP0P25LY551	spacer	F0-01872000
27	TRU-ASY		BUSH-TRU-WEISS-E		6LJ55914000
28	TRU-ASY	45689709	CR-TR2-H31X	Transfer roller	6LJ71607000
29	TRU-ASY		LINK-SHUT-IMG-POS		6LJ55922000
30	TRU-ASY		S/PAN-M3X6-ZU3		X0-02256000
31	TRU-ASY		SHUT-IMG-POS		6LJ55972000
32	TRU-ASY		SOL-06A-IMG-POS		6LJ55944000
33	TRU-ASY		SPG-T-SHUT-IMG-POS		6LJ55925000
34	TRU-ASY		WAS-06-95-Z13-P		6LA06340000

This Illustrated Parts Manual is to be used for part identification. Part numbers for the most often used parts are listed. To obtain parts for items that do not list an associated part number contact **Oki Data Technical Support at 866.654.1725** for specific part numbers and part ordering information

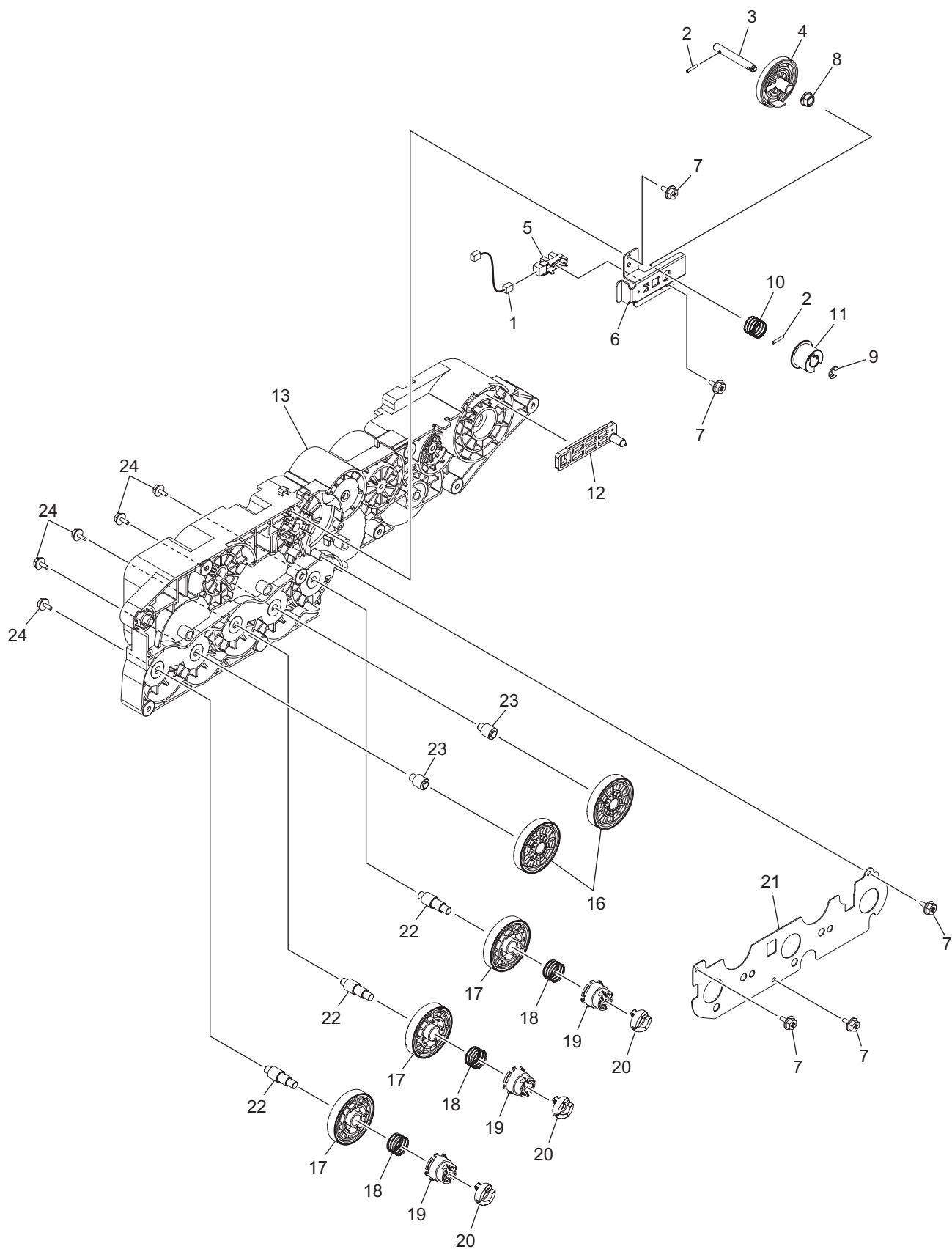
DRIVE-DRUM-1-ASY



No.	Unit Name	Part Number	Description	Remarks	Reference
1	DRIVE-DRUM-1-ASY		RAIL-WIRE-HV-TBU		6LJ55454000
2	DRIVE-DRUM-1-ASY		SPG-HVT-MK-H21X		6LJ55462000
3	DRIVE-DRUM-1-ASY		SPG-HVT-YC-H21X		6LJ55463000
4	DRIVE-DRUM-1-ASY		SPG-HVT-TR2-H21X		6LJ55464000
5	DRIVE-DRUM-1-ASY		RAIL-WIRE-HV-TBU-YM		6LJ55481000
6	DRIVE-DRUM-1-ASY	45729598	STOP-RING-6-1.5	Stop ring	44201801000
7	DRIVE-DRUM-1-ASY	45729621	P/PRL/AH7-2X12-SS	pin	X0-01526000
8	DRIVE-DRUM-1-ASY		CAP-SHAFT-DRUM		6LJ55133000
9	DRIVE-DRUM-1-ASY		SPG-C-DRIVE-DRUM		6LJ55198000
10	DRIVE-DRUM-1-ASY		COUPLE-DRUM-DRIVE		6LJ55152000
11	DRIVE-DRUM-1-ASY		ASYS-SHAFT-DRV-DRUM-K		6LJ55241000
12	DRIVE-DRUM-1-ASY		ASYS-SHAFT-DRV-DRUM-YMC		6LJ55242000
13	DRIVE-DRUM-1-ASY		CAP-SHAFT-DRUM-R		6LJ55175000
14	DRIVE-DRUM-1-ASY		SPG-C-DRIVE-TBU		6LJ55164000
15	DRIVE-DRUM-1-ASY		RING-DRIVE-TBU		6LJ55141000
16	DRIVE-DRUM-1-ASY		COUPLE-DRIVE-TBU		6LJ55244000
19	DRIVE-DRUM-1-ASY		SPG-C-DRUM-R		6LJ55165000
20	DRIVE-DRUM-1-ASY	45729580	RR/E-7-SS	e-ring	X0-00968000
21	DRIVE-DRUM-1-ASY		SHAFT-RELAY-DRV-DRUM		6LJ55169000
22	DRIVE-DRUM-1-ASY		SPG-C-DRUM-F		6LJ55166000
23	DRIVE-DRUM-1-ASY		GEAR-04H132-C		6LJ55102000
24	DRIVE-DRUM-1-ASY		COUPLE-IDLE-DRUM-DRIVE		6LJ55127000
25	DRIVE-DRUM-1-ASY		CAM-DRV-TBU		6LJ55138000
26	DRIVE-DRUM-1-ASY		GEAR-04H132-IDLE		6LJ55120000
27	DRIVE-DRUM-1-ASY		GEAR-04H132-DRUM		6LJ55110000
28	DRIVE-DRUM-1-ASY		GEAR-04H95-10S28		6LJ55104000
29	DRIVE-DRUM-1-ASY		GEAR-04H132-K		6LJ55103000
30	DRIVE-DRUM-1-ASY		GEAR-5H65-4H57-H21Y		6LJ55209000
31	DRIVE-DRUM-1-ASY		ASYB-GEAR-DRV-TBU-H21Y		6LJ55233000
32	DRIVE-DRUM-1-ASY	45729579	RR/E-5-SS	e-ring	X0-00966000
33	DRIVE-DRUM-1-ASY		SPG-C-DRV-TBU-R		6LJ55162000
34	DRIVE-DRUM-1-ASY		BUSH-TBU-DRIVE-H21Y		6LJ55213000
35	DRIVE-DRUM-1-ASY		CRANK-PUSH		6LJ55121000
36	DRIVE-DRUM-1-ASY		BUSH-DRUM-DRIVE-H21Y		6LJ55212000
37	DRIVE-DRUM-1-ASY		PLT-DRV-DRUM-H21Y		6LJ55205000
38	DRIVE-DRUM-1-ASY	45729587	S/TPP/FHEXM-3X6-NI	screw	X0-02246000
39	DRIVE-DRUM-1-ASY	45729604	ES-0505	retainer	F0-00120000
40	DRIVE-DRUM-1-ASY	45729616	CLUTCH-G28-06D-30AK	clutch	6LJ01935000
41	DRIVE-DRUM-1-ASY	45729638	S/FHEXM-M3X6-NI	screw	X0-02230000
42	DRIVE-DRUM-1-ASY		COVER-CLUCH-G28		6LJ55136000
43	DRIVE-DRUM-1-ASY		MOTR_D-DRIVE-DRUM-H21Y		6LJ55390000
44	DRIVE-DRUM-1-ASY	45729639	S/TPS/FHEXM/R-3X8-ZU3	screw	X0-02420000
45	DRIVE-DRUM-1-ASY		ASYB-SHAFT-TR1-H21Y		6LJ55234000
46	DRIVE-DRUM-1-ASY		SPG-F-GND-DRIVE-DRUM		6LJ55192000
47	DRIVE-DRUM-1-ASY		ASYS-DRUM-MOT-BRKT-H21Y		6LJ55202000

This Illustrated Parts Manual is to be used for part identification. Part numbers for the most often used parts are listed. To obtain parts for items that do not list an associated part number contact **Oki Data Technical Support at 866.654.1725** for specific part numbers and part ordering information

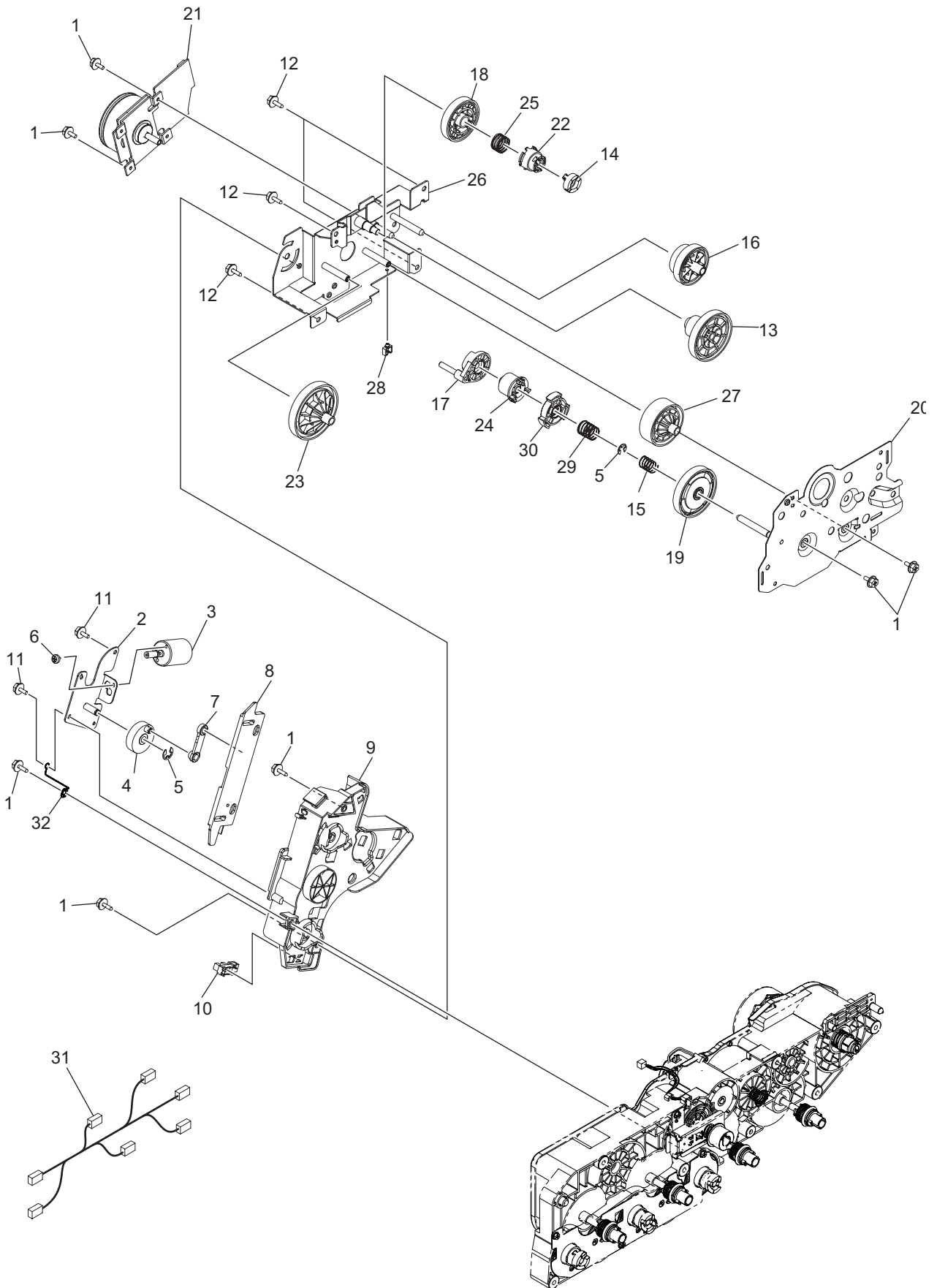
DRIVE-DRUM-2-ASY



No.	Unit Name	Part Number	Description	Remarks	Reference
1	DRIVE-DRUM-2-ASY		HRNS-FSTTR-212		6LJ61248000
2	DRIVE-DRUM-2-ASY	45729621	P/PRL/AH7-2X12-SS	pin	X0-01526000
3	DRIVE-DRUM-2-ASY		SHAFT-DRV-TR1-TBU-2		6LJ55132000
4	DRIVE-DRUM-2-ASY		GEAR-10S49-COUPLE-TBU		6LJ55211000
5	DRIVE-DRUM-2-ASY	45729574	LG2A14BL1	Photo sensor	C0-17839000
6	DRIVE-DRUM-2-ASY		BRKT-DRIVE-TR1-H21Y		6LJ55206000
7	DRIVE-DRUM-2-ASY	45729587	S/TPP/FHEXM-3X6-NI	screw	X0-02246000
8	DRIVE-DRUM-2-ASY	45729559	BUSH-6-POM	bushing	44201492000
9	DRIVE-DRUM-2-ASY	45729577	RR/E-3-SS	e-ring	X0-00964000
10	DRIVE-DRUM-2-ASY		SPG-C-TR1-TBU		6LJ55197000
11	DRIVE-DRUM-2-ASY		COUPLE-SW-TBU-TR1		6LJ55154000
12	DRIVE-DRUM-2-ASY		LVR-COUPLE-DRV-TBU		6LJ55160000
13	DRIVE-DRUM-2-ASY		FRAME-DRV-DRUM-H21Y		6LJ55201000
16	DRIVE-DRUM-2-ASY		GEAR-5H85-IDLE		6LJ55109000
17	DRIVE-DRUM-2-ASY		GEAR-5H85-CPL-DEV		6LJ55108000
18	DRIVE-DRUM-2-ASY		SPG-C-DEV-DRV-C		6LJ55167000
19	DRIVE-DRUM-2-ASY		COUPLE-DEV-DRIVE-R		6LJ55126000
20	DRIVE-DRUM-2-ASY		COUPLE-DEV-DRIVE-F-H21Y		6LJ55226000
21	DRIVE-DRUM-2-ASY		PLATE-DRIVE-DEV		6LJ55129000
22	DRIVE-DRUM-2-ASY		STUD-DRV-DEV-A-H21Y		6LJ55223000
23	DRIVE-DRUM-2-ASY		STUD-DRV-DEV-B-H21Y		6LJ55224000
24	DRIVE-DRUM-2-ASY	45729638	S/FHEXM-M3X6-NI	screw	X0-02230000

This Illustrated Parts Manual is to be used for part identification. Part numbers for the most often used parts are listed. To obtain parts for items that do not list an associated part number contact **Oki Data Technical Support at 866.654.1725** for specific part numbers and part ordering information

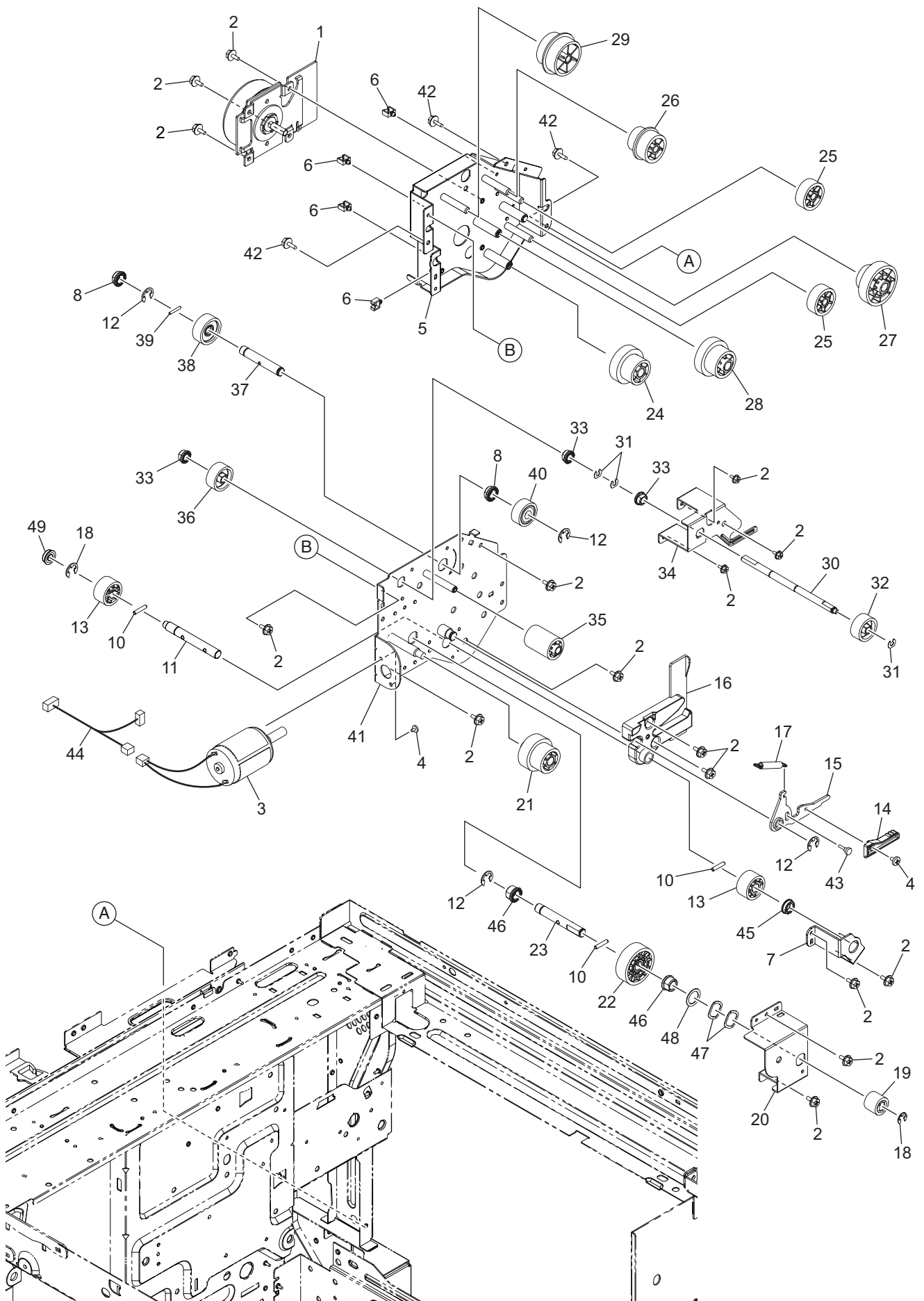
DEVELOPER-DRIVE-ASY



No.	Unit Name	Part Number	Description	Remarks	Reference
1	DEVELOPER-DRIVE-ASY	45729638	S/FHEXM-M3X6-NI		X0-02230000
2	DEVELOPER-DRIVE-ASY		ASYS-BRKT-CLANK		6LJ55116000
3	DEVELOPER-DRIVE-ASY		MOTR_D-SWITCH-H21X		6LJ55174000
4	DEVELOPER-DRIVE-ASY		GEAR-CRANK		6LJ55114000
5	DEVELOPER-DRIVE-ASY	45729579	RR/E-5-SS		X0-00966000
6	DEVELOPER-DRIVE-ASY		S/PAN-M3X3-NI		X0-02112000
7	DEVELOPER-DRIVE-ASY		RELAY-CRANK		6LJ55122000
8	DEVELOPER-DRIVE-ASY		PLATE-CRANK		6LJ55123000
9	DEVELOPER-DRIVE-ASY		BASE-CRANK		6LJ55115000
10	DEVELOPER-DRIVE-ASY	45729574	LG2A14BL1		CO-17839000
11	DEVELOPER-DRIVE-ASY	45729589	S/TPP/FHEXM-3X8-NI		X0-02247000
12	DEVELOPER-DRIVE-ASY	45729639	S/TPS/FHEXM/R-3X8-ZU3		X0-02420000
13	DEVELOPER-DRIVE-ASY		GEAR-05H42-05H98-H21Y		6LJ55229000
14	DEVELOPER-DRIVE-ASY		COUPLE-DEV-DRIVE-F-H21Y		6LJ55226000
15	DEVELOPER-DRIVE-ASY		SPG-DRV-CAM-DEV-F		6LJ55153000
16	DEVELOPER-DRIVE-ASY		GEAR-05H78-08H38-H21Y		6LJ55228000
17	DEVELOPER-DRIVE-ASY		CRANK-PUSH		6LJ55121000
18	DEVELOPER-DRIVE-ASY		GEAR-5H85-CPL-DEV		6LJ55108000
19	DEVELOPER-DRIVE-ASY		GEAR-5H98-COUPLE-H21Y		6LJ55232000
20	DEVELOPER-DRIVE-ASY		ASYS-PLT-DEV-DRV-H21Y		6LJ55220000
21	DEVELOPER-DRIVE-ASY		MOTR_D-DRIVE-DEV-H21Y		6LJ55380000
22	DEVELOPER-DRIVE-ASY		COUPLE-DEV-DRIVE-R		6LJ55126000
23	DEVELOPER-DRIVE-ASY		GEAR-5H112-DEV-H21Y		6LJ55230000
24	DEVELOPER-DRIVE-ASY		GEAR-5H42-CAM-H21Y		6LJ55231000
25	DEVELOPER-DRIVE-ASY		SPG-C-DEV-DRV-C		6LJ55167000
26	DEVELOPER-DRIVE-ASY		ASYS-FRM-DRV-DEV-H21Y		6LJ55214000
27	DEVELOPER-DRIVE-ASY		GEAR-5H85-KDEV-H21Y		6LJ55227000
28	DEVELOPER-DRIVE-ASY		MSB-1207		F0-01250000
29	DEVELOPER-DRIVE-ASY		SPG-DRV-CAM-DEV-R		6LJ55172000
30	DEVELOPER-DRIVE-ASY		COUPLE-IDLE-DEV-DRV-H21Y		6LJ55225000
31	DEVELOPER-DRIVE-ASY		HRNS-LGC-DEV-212		6LJ60866000
32	DEVELOPER-DRIVE-ASY		COIL-GND-RELAY-DRV		6LJ55248000

This Illustrated Parts Manual is to be used for part identification. Part numbers for the most often used parts are listed. To obtain parts for items that do not list an associated part number contact **Oki Data Technical Support at 866.654.1725** for specific part numbers and part ordering information

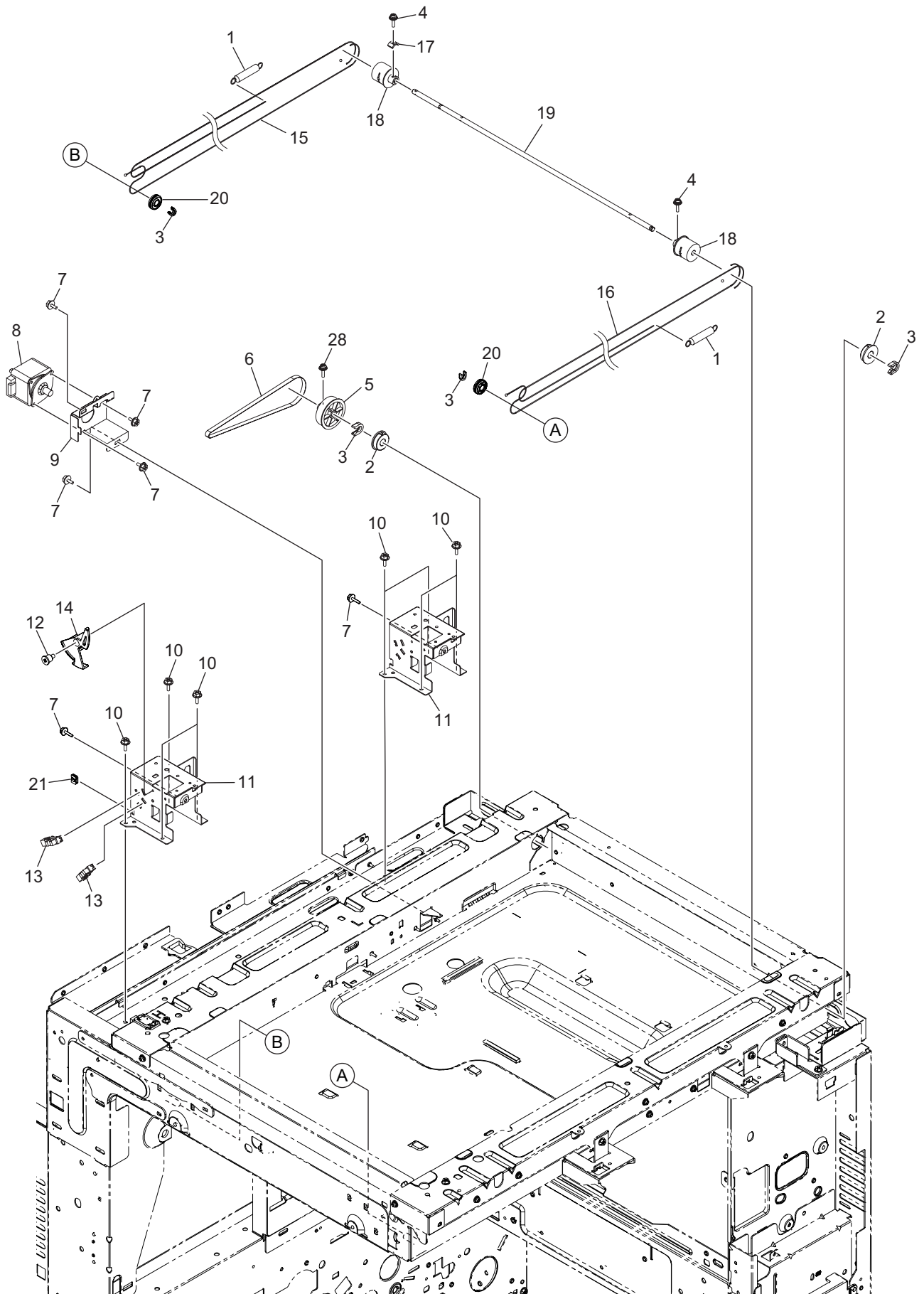
DRIVE-FUSER-ASY



No.	Unit Name	Part Number	Description	Remarks	Reference
1	DRIVE-FUSER-ASY		MOTR_D-DRIVE-DRUM-H21Y		6LJ55390000
2	DRIVE-FUSER-ASY	45729638	S/FHEXM-M3X6-NI	screw	X0-02230000
3	DRIVE-FUSER-ASY		ASYS-FUSSETM-H21Y		6LJ59219000
4	DRIVE-FUSER-ASY	45729585	S/BID-M3X4-NI	screw	X0-00426000
5	DRIVE-FUSER-ASY		ASYS-FRAME-DRV-FUS-H		6LJ58898000
6	DRIVE-FUSER-ASY		MSB-1207		F0-01250000
7	DRIVE-FUSER-ASY		BRKT-DRV-FUS-PR-H214		6LJ58815000
8	DRIVE-FUSER-ASY	45689726	BUSH-8X12X5R5F-BCF-050	bushing	6LJ55544000
10	DRIVE-FUSER-ASY	45729630	P/PRL/AH7-3X14-SS	pin	X0-01169000
11	DRIVE-FUSER-ASY		SHAFT-DRV-FUS-PR		6LJ58899000
12	DRIVE-FUSER-ASY	45729580	RR/E-7-SS	e-ring	X0-00968000
13	DRIVE-FUSER-ASY		GEAR-10H22-8		6LJ58734000
14	DRIVE-FUSER-ASY		COVER-LVR-FUS-R		6LJ58747000
15	DRIVE-FUSER-ASY		LEVER-FUS-R		6LJ58746000
16	DRIVE-FUSER-ASY		GUIDE-FUS-R		6LJ58674000
17	DRIVE-FUSER-ASY		SPG-E-LVR-LOCK-R-H21Y		6LJ58760000
18	DRIVE-FUSER-ASY	45729579	RR/E-5-SS	e-ring	X0-00966000
19	DRIVE-FUSER-ASY		GEAR-10S17-8		6LJ58889000
20	DRIVE-FUSER-ASY		BRKT-DRV-FUS-SW		6LJ58920000
21	DRIVE-FUSER-ASY		GEAR-10H23-8H40-8		6LJ58684000
22	DRIVE-FUSER-ASY		GEAR-10H34-RIKAN		6LJ58685000
23	DRIVE-FUSER-ASY		SHAFT-DRV-FUS-CAM		6LJ58682000
24	DRIVE-FUSER-ASY		GEAR-8H40-10H23-8		6LJ58663000
25	DRIVE-FUSER-ASY		GEAR-8H31-6		6LJ58661000
26	DRIVE-FUSER-ASY		GEAR-8H26-10S27-6		6LJ58665000
27	DRIVE-FUSER-ASY		GEAR-8H46-8H27-8		6LJ58660000
28	DRIVE-FUSER-ASY		GEAR-5H65-8H31-8		6LJ58658000
29	DRIVE-FUSER-ASY		GEAR-10S34-10S31-6		6LJ58668000
30	DRIVE-FUSER-ASY		SHAFT-DRV-FUS-EXIT		6LJ58680000
31	DRIVE-FUSER-ASY	45729575	RRG-4-P	Retaining ring	6LH03574000
32	DRIVE-FUSER-ASY		GEAR-10S23-EXIT		6LJ58673000
33	DRIVE-FUSER-ASY	45729559	BUSH-6-POM	bushing	44201492000
34	DRIVE-FUSER-ASY		BRKT-DRV-EXIT-H		6LJ58653000
35	DRIVE-FUSER-ASY		GEAR-10S21-6		6LJ58669000
36	DRIVE-FUSER-ASY		GEAR-10S24-6		6LJ58670000
37	DRIVE-FUSER-ASY		SHAFT-DRV-FUS-BLT		6LJ58787000
38	DRIVE-FUSER-ASY		GEAR-10S26-6		6LJ58666000
39	DRIVE-FUSER-ASY		P/PRL/AH7-2X14-SS		X0-01165000
40	DRIVE-FUSER-ASY		GEAR-10S23-8-OWR		6LJ58667000
41	DRIVE-FUSER-ASY		ASYS-FRM-DRV-FUS-BASE		6LJ58921000
42	DRIVE-FUSER-ASY	45729591	S/PAN/SWWP-M3X8-NI	screw	X0-00077000
43	DRIVE-FUSER-ASY	45729583	SCREW-HLDR-MG	screw	6LA65683000
44	DRIVE-FUSER-ASY		HRNS-LGC-FSRMOT-212		6LJ61406000
45	DRIVE-FUSER-ASY		DDLDF-1280ZZHP0P25LY551		F0-02187000
46	DRIVE-FUSER-ASY		BUSH-0814-08F-M		6LA02368000
47	DRIVE-FUSER-ASY		WSHR-W-13X17XR2.5-SS		6LJ58887000
48	DRIVE-FUSER-ASY		WASHER-DRV-FUS-CAM		6LJ58884000
49	DRIVE-FUSER-ASY	45729552	F126ZZ-DF30ELC-GV22	bearing	F0-01966000

This Illustrated Parts Manual is to be used for part identification. Part numbers for the most often used parts are listed. To obtain parts for items that do not list an associated part number contact **Oki Data Technical Support at 866.654.1725** for specific part numbers and part ordering information

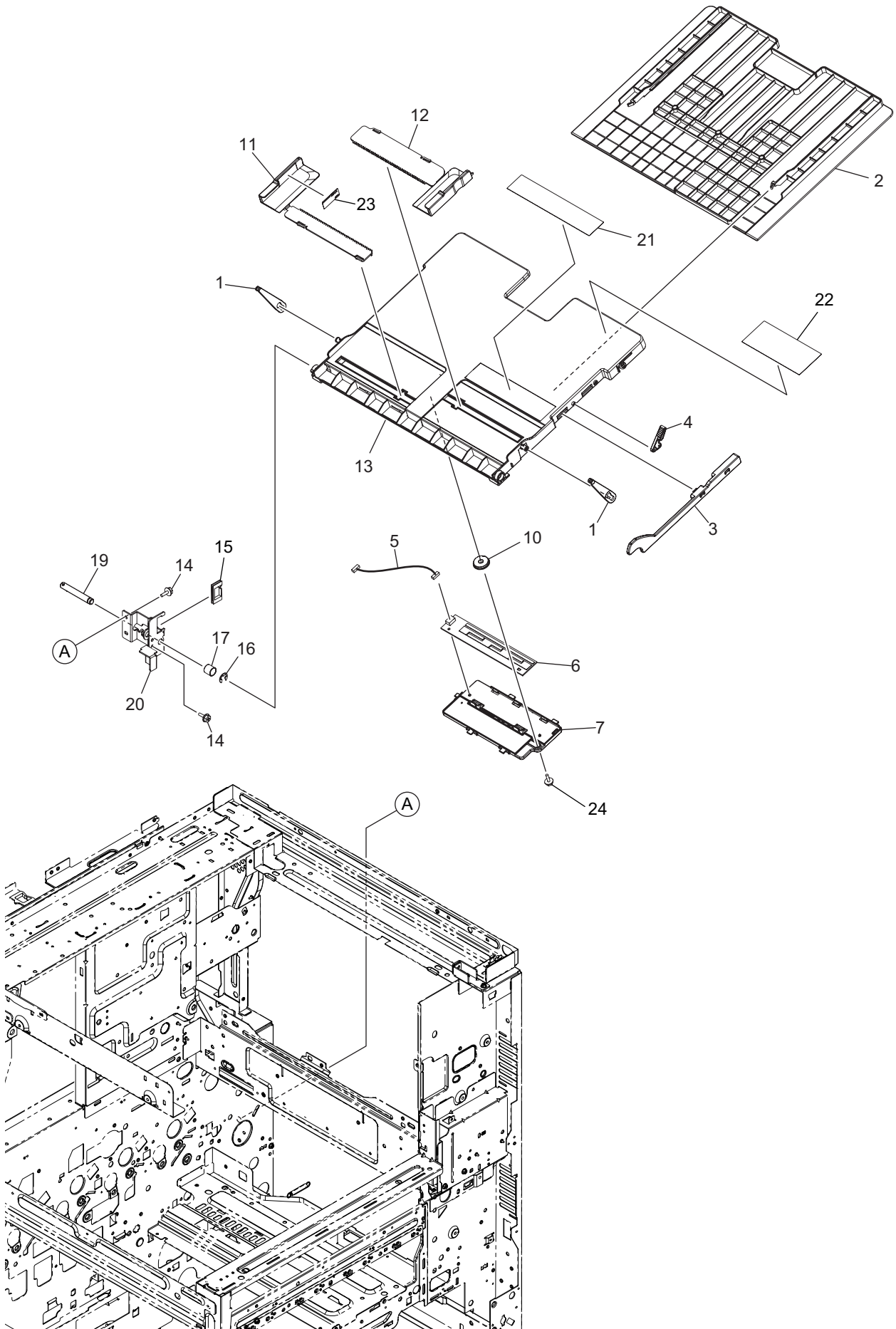
OPTICAL-DRIVE



No.	Unit Name	Part Number	Description	Remarks	Reference
1	OPTICAL-DRIVE		SPE-WIRE-TNS-H16X-SUS		6LJ15115000
2	OPTICAL-DRIVE		BUSH-061505		6LJ59746000
3	OPTICAL-DRIVE	45729597	STOP-RING-6-5	Retaining ring	4407972860
4	OPTICAL-DRIVE	45729643	S/PAN/SWWP-M3X10-NI	screw	X0-00094000
5	OPTICAL-DRIVE		PULLEY-SCAN-H21X		6LJ59706000
6	OPTICAL-DRIVE		BLT_SY-S1.5M-378-6		6LJ59906000
7	OPTICAL-DRIVE	45729638	S/FHEXM-M3X6-NI	screw	X0-02230000
8	OPTICAL-DRIVE		MOTR_S-SCN-210L		6LJ60445000
9	OPTICAL-DRIVE		BRKT-MOT-SCAN-H21X		6LJ59731000
10	OPTICAL-DRIVE	45729639	S/TPS/FHEXM/R-3X8-ZU3	screw	X0-02420000
11	OPTICAL-DRIVE		ASYS-BRKT-DF-H21XH		6LJ59838000
12	OPTICAL-DRIVE		SCREW-PINION		6LA04456000
13	OPTICAL-DRIVE	45729574	LG2A14BL1	Photo sensor	C0-17839000
14	OPTICAL-DRIVE		LVR-OPEN-SNS-H21X		6LJ59899000
15	OPTICAL-DRIVE		WIRE-SCAN-R-H21X		6LJ59702000
16	OPTICAL-DRIVE		WIRE-SCAN-F-H21X		6LJ59701000
17	OPTICAL-DRIVE		HOLD-PLY-SCR		6LJ59727000
18	OPTICAL-DRIVE		PLY-WIRE-SCAN-H21X		6LJ59873000
19	OPTICAL-DRIVE		SHAFT-DRV-SCAN-H21X		6LJ59728000
20	OPTICAL-DRIVE		PLY-19-410		6LE46342000
21	OPTICAL-DRIVE	45729604	ES-0505	retainer	F0-00120000
28	OPTICAL-DRIVE	45729591	S/PAN/SWWP-M3X8-NI	screw	X0-00077000

This Illustrated Parts Manual is to be used for part identification. Part numbers for the most often used parts are listed. To obtain parts for items that do not list an associated part number contact **Oki Data Technical Support at 866.654.1725** for specific part numbers and part ordering information

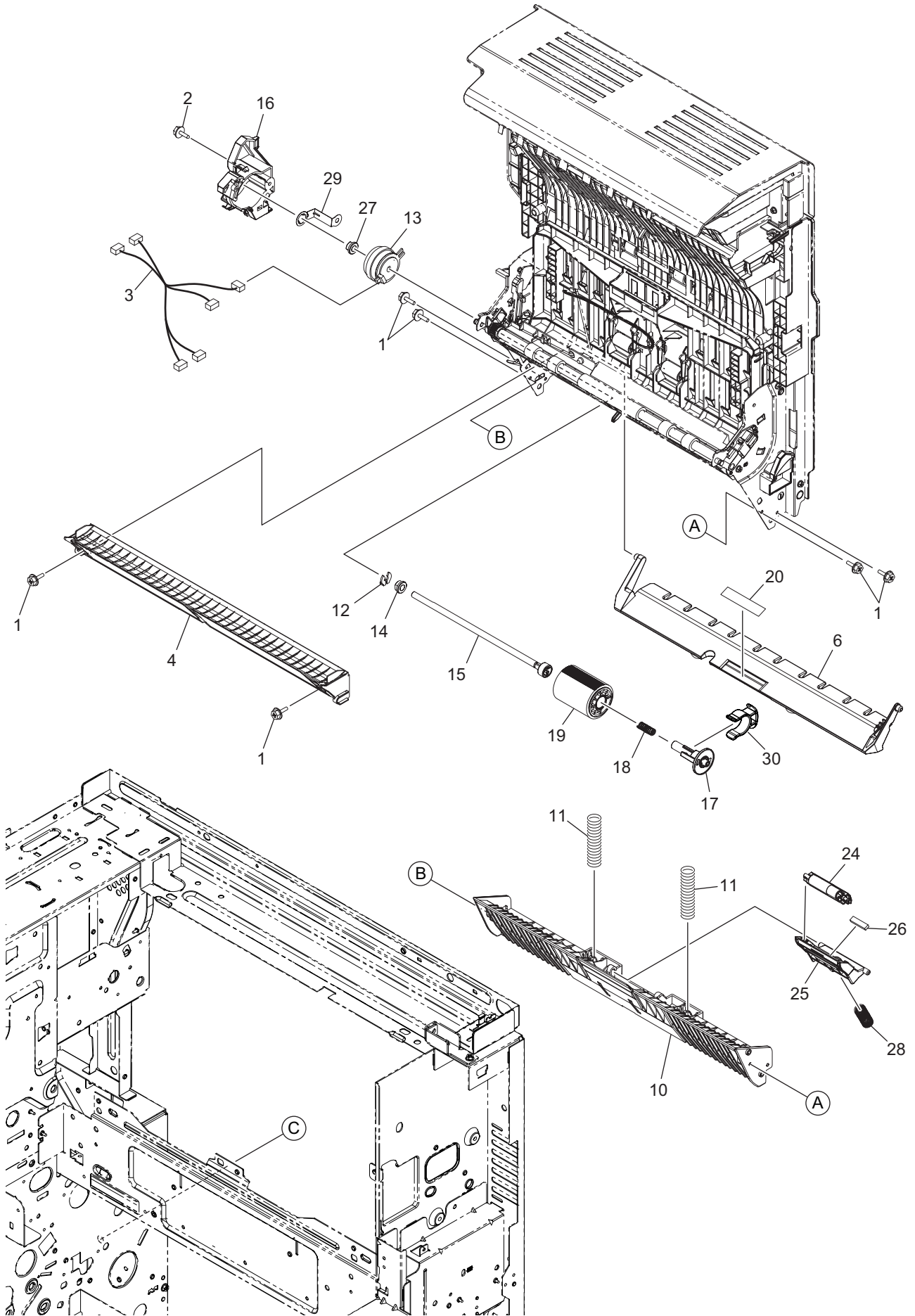
BYPASS-ASY



No.	Unit Name	Part Number	Description	Remarks	Reference
1	BYPASS-ASY		ARM-SFB-H21X		6LJ57015000
2	BYPASS-ASY		TRAY-LWR-SFB-H21X		6LJ57001000
3	BYPASS-ASY		LINK-TRAY-SFB-H21X-L		6LJ57003000
4	BYPASS-ASY		LEVER-TRAY-SFB-H21X-L		6LJ57004000
5	BYPASS-ASY		HRNS-SFB-SIZE-210		6LJ60213000
6	BYPASS-ASY	45735706	PWA-H-SFB-210		6LJ60689000
7	BYPASS-ASY		HOLDER-PWA-SFB-H21X		6LJ57010000
10	BYPASS-ASY		PINION-18-395		4407726480
11	BYPASS-ASY		GUIDE-TRAY-SFB-R-H21X		6LJ57012000
12	BYPASS-ASY		ASYS-GUIDE-TRAY-SFB-F		6LJ57022000
13	BYPASS-ASY		TRAY-UPR-SFB-H21X		6LJ57075000
14	BYPASS-ASY	45729590	S/TPD3/FHEXM-3X8-ZU3	screw	X0-02593000
15	BYPASS-ASY		EDS-1710L-V0		F0-01638000
16	BYPASS-ASY	45729580	RR/E-7-SS	screw	X0-00968000
17	BYPASS-ASY		SPC-HINGE-COV-SIDE-1		6LJ57312000
19	BYPASS-ASY		ASYS-STUD-HINGE-ADU-R		6LJ57339000
20	BYPASS-ASY		BRKT-HINGE-ADU-R		6LJ57307000
21B	BYPASS-ASY		LBL-TRAY-E-H21Y		6LJ57104000
21C	BYPASS-ASY		LBL-TRAY-U-H21Y	ODNA	6LJ57102000
22	BYPASS-ASY		LBL_O-GUIDE-SFB-H21X		6LJ57043000
23	BYPASS-ASY		LBL-HIGH-TRAY-H21X		6LJ57073000
24	BYPASS-ASY	45729589	S/TPP/FHEXM-3X8-NI	screw	X0-02247000

This Illustrated Parts Manual is to be used for part identification. Part numbers for the most often used parts are listed. To obtain parts for items that do not list an associated part number contact **Oki Data Technical Support at 866.654.1725** for specific part numbers and part ordering information

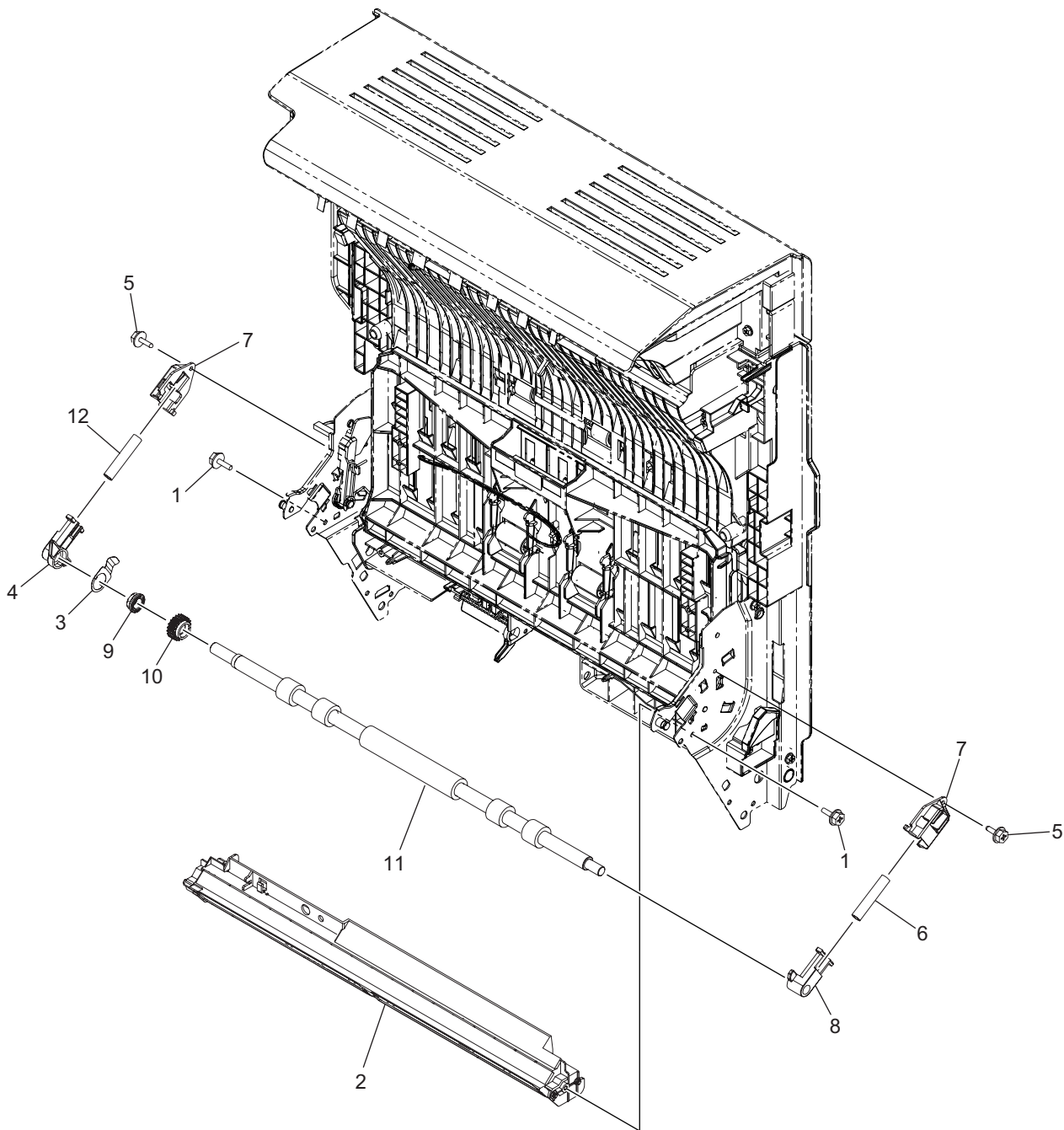
BYPASS-FEEDER-ASY



No.	Unit Name	Part Number	Description	Remarks	Reference
1	BYPASS-FEEDER-ASY	45729589	S/TPP/FHEXM-3X8-NI	screw	X0-02247000
2	BYPASS-FEEDER-ASY	45729639	S/TPS/FHEXM/R-3X8-ZU3	screw	X0-02420000
3	BYPASS-FEEDER-ASY		HRNS-SFBTRU-212		6LJ61541000
4	BYPASS-FEEDER-ASY		ASYS-GID-FEED-RU-H21X_EL		6LJ56282000
6	BYPASS-FEEDER-ASY		TRAY-FEED-SFB-H21X-L		6LJ57011000
10	BYPASS-FEEDER-ASY		GUIDE-FEED-SFB-H21X		6LJ57051000
11	BYPASS-FEEDER-ASY		SPC-TRAY-SFB-H21X		6LJ57052000
12	BYPASS-FEEDER-ASY	45729598	STOP-RING-6-1.5	Retaining ring	44201801000
13	BYPASS-FEEDER-ASY	45729565	CLUTCH-50C-G28-6	Clutch	6LH51224000
14	BYPASS-FEEDER-ASY	45729559	BUSH-6-POM	bushing	44201492000
15	BYPASS-FEEDER-ASY		SHAFT-ROL-SFB-H21Y		6LJ57091000
16	BYPASS-FEEDER-ASY		HOLDER-DRIVE-SFB-H21X-L		6LJ57115000
17	BYPASS-FEEDER-ASY		COLAR-ROLL-SFB-H21X		6LJ57007000
18	BYPASS-FEEDER-ASY		SPC-ROL-SFB-H21X		6LJ57018000
19	BYPASS-FEEDER-ASY	45689717	ASYS-ROL-SFB-H21X	Feed roller	6LJ57026000
20	BYPASS-FEEDER-ASY	45729647	SHEET-PLATE-SLIP-G	Sep pad	6LJ46918000
24	BYPASS-FEEDER-ASY	45689718	ASYB-ROL-SPT-SFB-H21Y-X2S	Roller	6LJ57123100
25	BYPASS-FEEDER-ASY		HOLDER-SPT-BASE-SFB-H21Y		6LJ57089000
26	BYPASS-FEEDER-ASY		CUSH-HOLDER-SPT-SFB-H21Y		6LJ57113000
27	BYPASS-FEEDER-ASY	45729509	BUSH-6-BCF-050	bushing	6LJ55543000
28	BYPASS-FEEDER-ASY		SPC-SPT-SFB-H21Y		6LJ57090000
29	BYPASS-FEEDER-ASY		SPG-F-SFB-EARTH-H21Y		6LJ57114000
30	BYPASS-FEEDER-ASY		STOPPER-ROL-SFB-H21X		6LJ57127000

This Illustrated Parts Manual is to be used for part identification. Part numbers for the most often used parts are listed. To obtain parts for items that do not list an associated part number contact **Oki Data Technical Support at 866.654.1725** for specific part numbers and part ordering information

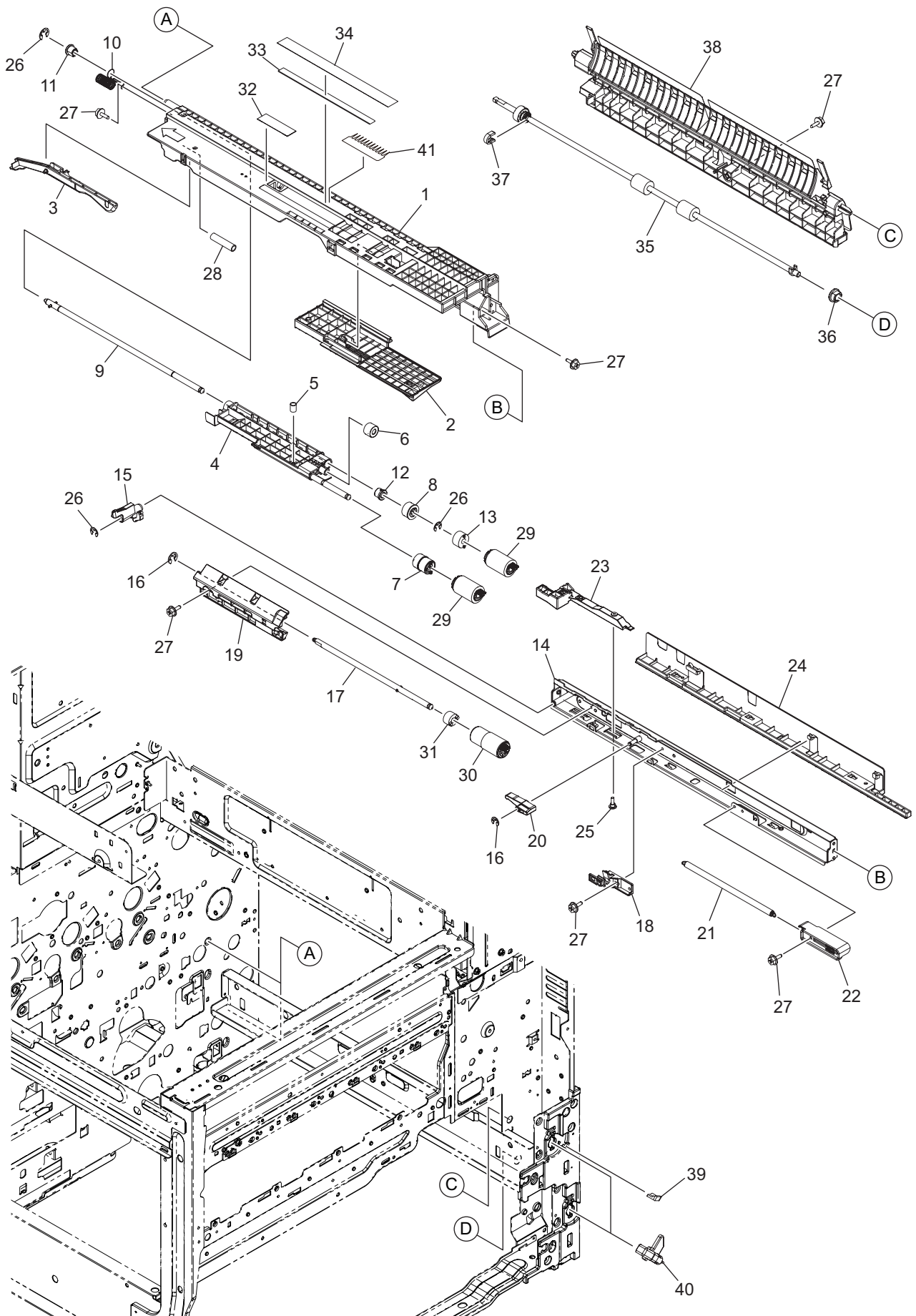
RGST-GUIDE



No.	Unit Name	Part Number	Description	Remarks	Reference
1	RGST-GUIDE	45729589	S/TPP/FHEXM-3X8-NI	screw	X0-02247000
2	RGST-GUIDE		ASYS-GUIDE-RGST-R-H21X_L		6LJ56214000
3	RGST-GUIDE		SPG-F-RGST-R-H21X_L		6LJ56234000
4	RGST-GUIDE		BUSH-ROL-RGST-R-H21X		6LJ56230000
5	RGST-GUIDE	45729639	S/TPS/FHEXM/R-3X8-ZU3	screw	X0-02420000
6	RGST-GUIDE		SPG-C-RGST-F-H21X		6LJ56293000
7	RGST-GUIDE		HOLDER-RGST-SPE-H21X		6LJ56228000
8	RGST-GUIDE		BUSH-ROL-RGST-F-H21X		6LJ56229000
9	RGST-GUIDE		BUSH-8X12X5R5F		6LA65697000
10	RGST-GUIDE		GEAR-8S19-8_D10		6LJ56291000
11	RGST-GUIDE		ROLLER-RGST-R-H21X_L		6LJ56222000
12	RGST-GUIDE		SPG-C-RGST-R-H21X		6LJ56294000

This Illustrated Parts Manual is to be used for part identification. Part numbers for the most often used parts are listed. To obtain parts for items that do not list an associated part number contact **Oki Data Technical Support at 866.654.1725** for specific part numbers and part ordering information

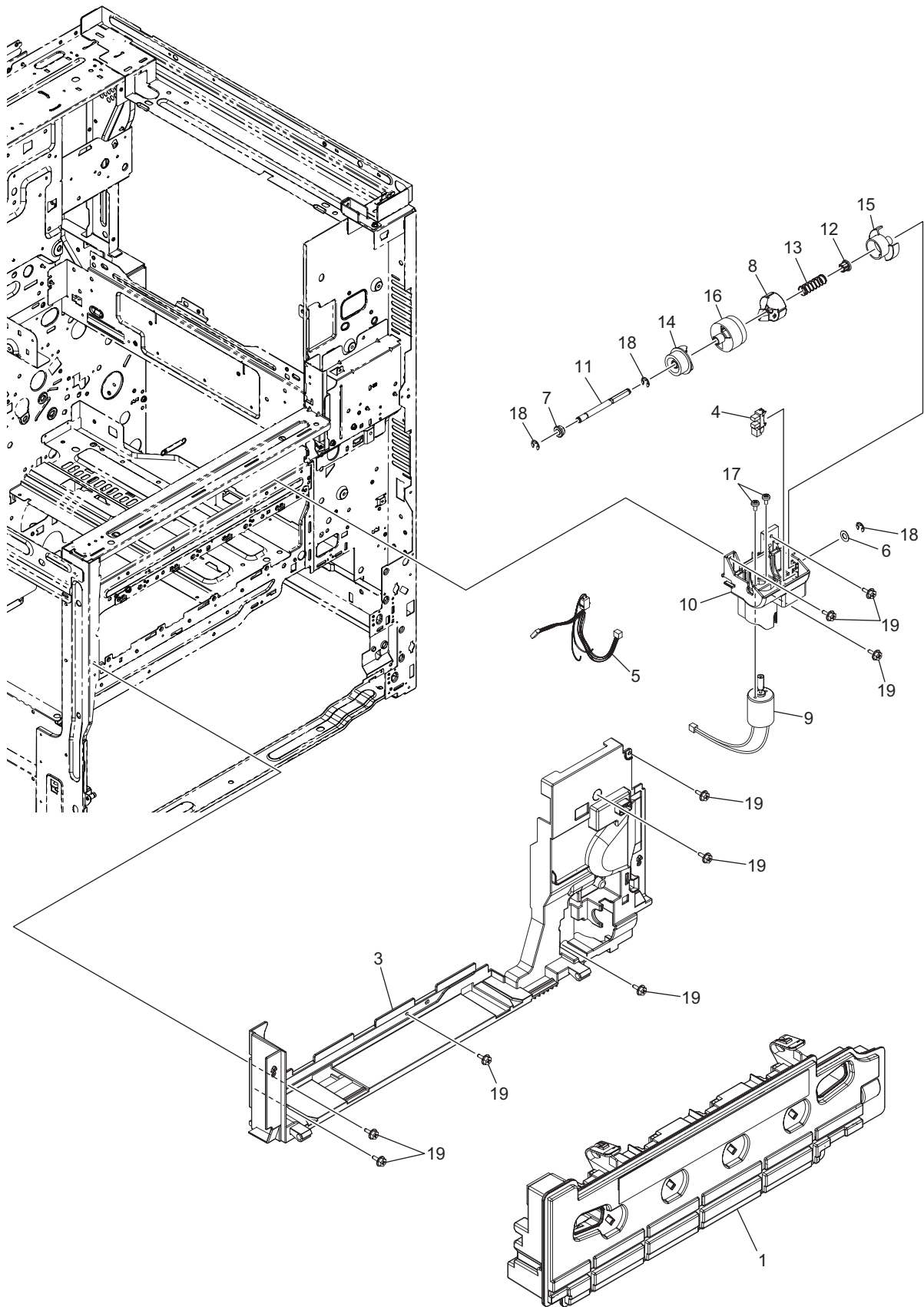
FEEDER_GUIDE-ASY



No.	Unit Name	Part Number	Description	Remarks	Reference
1	FEEDER-GUIDE-ASY		FRAME-FEED-H21X_H		6LJ56273000
2	FEEDER-GUIDE-ASY		GUIDE-FEED-UP-F-H21X_H		6LJ56263000
3	FEEDER-GUIDE-ASY		ACTR-EMPTY-CST-H2X_H		6LJ56248000
4	FEEDER-GUIDE-ASY		ARM-PICK-H21X_H		6LJ56275000
5A	FEEDER-GUIDE-ASY		SPG-C-PU-H21X_H	ES9465	6LJ56268000
5B	FEEDER-GUIDE-ASY		SPG-C-PU-H21Y	ES9475	6LJ56359000
6	FEEDER-GUIDE-ASY		GEAR-5S25-8		6LJ56244000
7	FEEDER-GUIDE-ASY		GEAR-5S30-6		6LJ56245000
8	FEEDER-GUIDE-ASY		ASYS-GEAR-5S30-6L		6LJ56239000
9	FEEDER-GUIDE-ASY		ASYS-SFT-ROL-FEED-H21X_H		6LJ56276000
10	FEEDER-GUIDE-ASY		SPG-EARTH-FEED-UNIT		6LJ56267000
11	FEEDER-GUIDE-ASY	45729558	BUSH-F6-GCB	bushing	6LA03977000
12	FEEDER-GUIDE-ASY		BUSH-6X10X9F-POM		6LJ56246000
13	FEEDER-GUIDE-ASY	45729563	CLUTCH-6-L	clutch	6LE69842000
14	FEEDER-GUIDE-ASY		ASYS-STAY-FEED-H21X_H		6LJ56262000
15	FEEDER-GUIDE-ASY		LEVER-PU-LINK-H21X_H		6LJ56250000
16	FEEDER-GUIDE-ASY	45729577	RR/E-3-SS	e-ring	X0-00964000
17	FEEDER-GUIDE-ASY		ASYS-SHAFT-ROL-SPT-H21X_H		6LJ56279000
18	FEEDER-GUIDE-ASY		GUIDE-SFT-SPT-H21X_H		6LJ56258000
19	FEEDER-GUIDE-ASY		GUIDE-FEED-R-H21X_H		6LJ56264000
20	FEEDER-GUIDE-ASY		ARM-SFT-SPT-H21X_H		6LJ56249000
21	FEEDER-GUIDE-ASY		SPG-E-SPT-H21X_H		6LJ56270000
22	FEEDER-GUIDE-ASY		HOLDER-SPE-SPT-H21X_H		6LJ56247000
23	FEEDER-GUIDE-ASY		SLIDER-SPT-H21X_H		6LJ56266000
24	FEEDER-GUIDE-ASY		RAIL-FEED-UNIT-L-H21X_H		6LJ56272000
25	FEEDER-GUIDE-ASY		SCREW-M3X8-3.2-P		6LH05511000
26	FEEDER-GUIDE-ASY	45729579	RR/E-5-SS	e-ring	X0-00966000
27	FEEDER-GUIDE-ASY	45729639	S/TPS/FHEXM/R-3X8-ZU3	screw	X0-02420000
28	FEEDER-GUIDE-ASY		SPG-C-SLIDER-H21X_H		6LJ56271000
29	FEEDER-GUIDE-ASY	45689715	ASYS-ROLL-FEED-H21X_H	Feed roller	6LJ56242000
30	FEEDER-GUIDE-ASY	45689716	ASYS-ROLL-SPT-H21X_H	Sep Roller	6LJ56243000
31	FEEDER-GUIDE-ASY		TL-SEP-ORG-400		6LJ56289000
32	FEEDER-GUIDE-ASY		MYLAR-BLIND-FEED-UNIT		6LJ66800000
33	FEEDER-GUIDE-ASY		RUBBER-SPACE-FEED		6LJ56296000
34	FEEDER-GUIDE-ASY		MYLAR-SPACE-FEED		6LJ56295000
35	FEEDER-GUIDE-ASY		ASYB-ROL-TRANS-H21Y		6LJ56339000
36	FEEDER-GUIDE-ASY	45729559	BUSH-6-POM	bushing	44201492000
37	FEEDER-GUIDE-ASY	45729597	STOP-RING-6-5	Retaining ring	4407972860
38	FEEDER-GUIDE-ASY		ASYB-GUIDE-FEED-L-H21Y		6LJ56340000
39	FEEDER-GUIDE-ASY	45729652	STOP-RING-8	Stop ring	41306265000
40	FEEDER-GUIDE-ASY		LEVER-FEED-UNIT-H21X_H		6LJ56274000
41	FEEDER-GUIDE-ASY		SHEET-ERS-FEED-H21Y		6LJ56361000

This Illustrated Parts Manual is to be used for part identification. Part numbers for the most often used parts are listed. To obtain parts for items that do not list an associated part number contact **Oki Data Technical Support at 866.654.1725** for specific part numbers and part ordering information

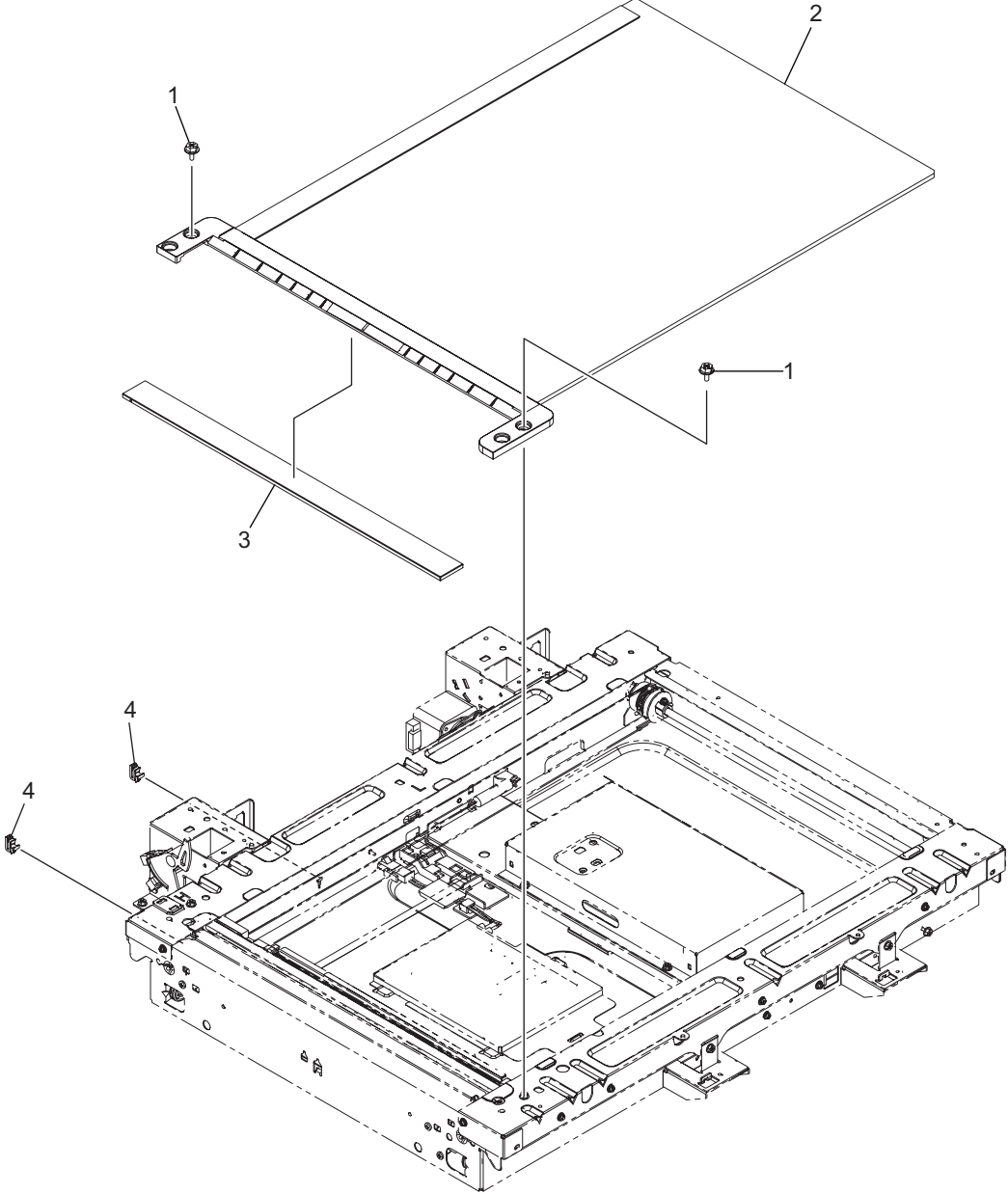
DRIVE-WTNR-ASY



No.	Unit Name	Part Number	Description	Remarks	Reference
1	DRIVE-WTNR-ASY		PS-TBFC50-OKI	WASTE TONER BOX	6AG00005586
3	DRIVE-WTNR-ASY		ASYB-COVER-INNR-WTNR-H21Y		6LJ54773000
4	DRIVE-WTNR-ASY	45729574	LG2A14BL1	Photo sensor	C0-17839000
5	DRIVE-WTNR-ASY		HRNS-UTNR-210		6LJ60319000
6	DRIVE-WTNR-ASY		WSHR-6R2X12XR5-APS		6LE28372000
7	DRIVE-WTNR-ASY	45729559	BUSH-6-POM	bushing	44201492000
8	DRIVE-WTNR-ASY		COUPL-DRV-WTNR		6LJ54683000
9	DRIVE-WTNR-ASY		MOTRD-PDL-210		6LJ54694000
10	DRIVE-WTNR-ASY		HLDR-DRV-WTNR		6LJ54729000
11	DRIVE-WTNR-ASY		SHAFT-DRV-WTNR		6LJ54640000
12	DRIVE-WTNR-ASY		COLAR-DRV-WTNR		6LJ54636000
13	DRIVE-WTNR-ASY		SPG-C-10R7XR6X30R3R-WTNR		6LJ54649000
14	DRIVE-WTNR-ASY		GEAR-15S16-6-COUPL-WTNR		6LJ54637000
15	DRIVE-WTNR-ASY		SLIT-DRV-WTNR		6LJ54638000
16	DRIVE-WTNR-ASY		GEAR-5H66-6-DRV-WTNR		6LJ54639000
17	DRIVE-WTNR-ASY		S/PAN-M2.6X4-NC		X0-01670000
18	DRIVE-WTNR-ASY	45729579	RR/E-5-SS	e-ring	X0-00966000
19	DRIVE-WTNR-ASY	45729639	S/TPS/FHEXM/R-3X8-ZU3	screw	X0-02420000

This Illustrated Parts Manual is to be used for part identification. Part numbers for the most often used parts are listed. To obtain parts for items that do not list an associated part number contact **Oki Data Technical Support at 866.654.1725** for specific part numbers and part ordering information

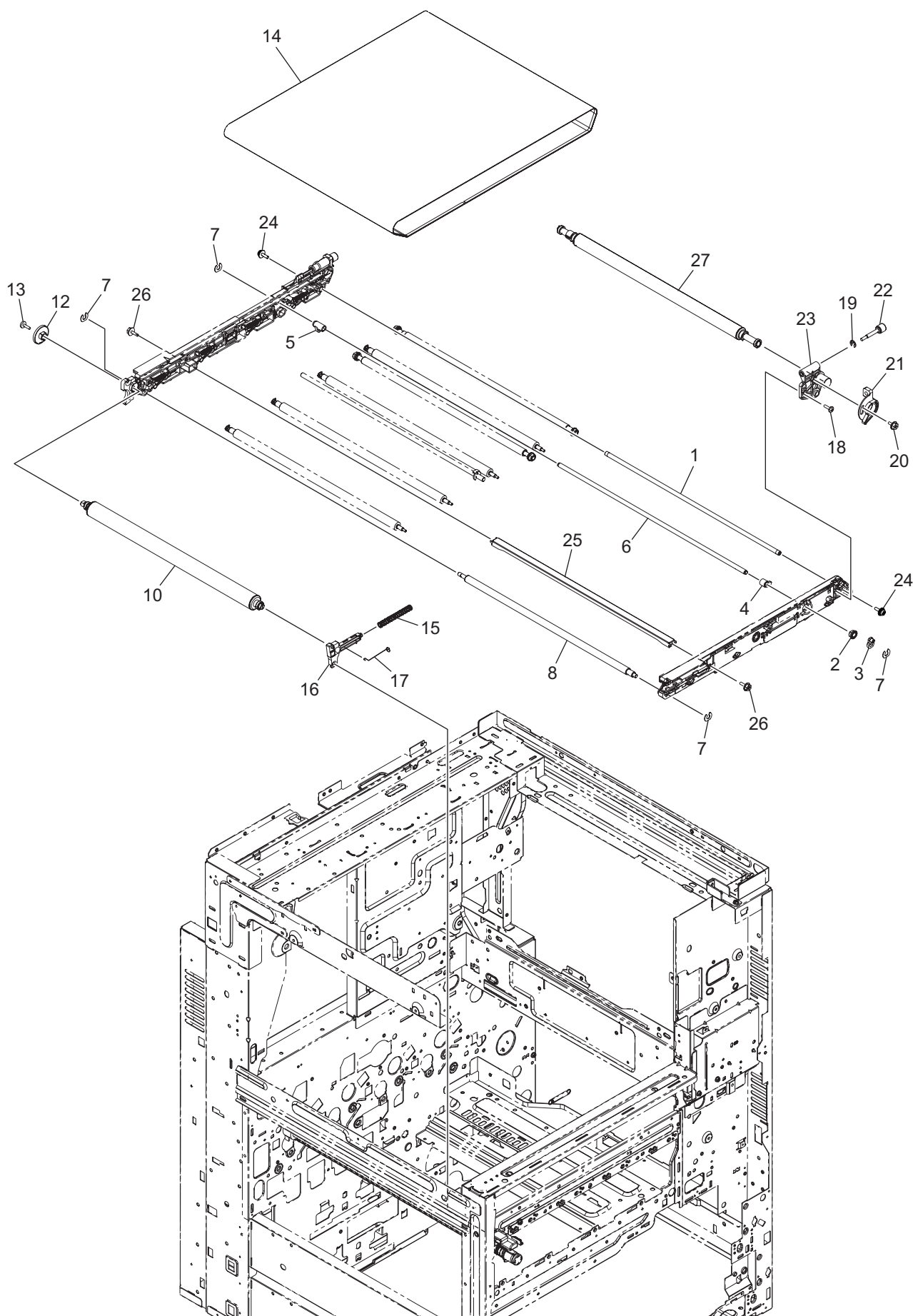
GLASS-ASY



No.	Unit Name	Part Number	Description	Remarks	Reference
1	GLASS-ASY	45729638	S/FHEXM-M3X6-NI	screw	X0-02230000
2A	GLASS-ASY		ASYS-GLASS-H21Y-A		6LJ59850000
2B	GLASS-ASY		ASYS-GLASS-H21Y-L	ODNA	6LJ59850100
3	GLASS-ASY		ASYS-GLASS-ADF-H21X		6LJ59765000
4	GLASS-ASY		RLMC-01TV0		F0-01496000

This Illustrated Parts Manual is to be used for part identification. Part numbers for the most often used parts are listed. To obtain parts for items that do not list an associated part number contact **Oki Data Technical Support at 866.654.1725** for specific part numbers and part ordering information

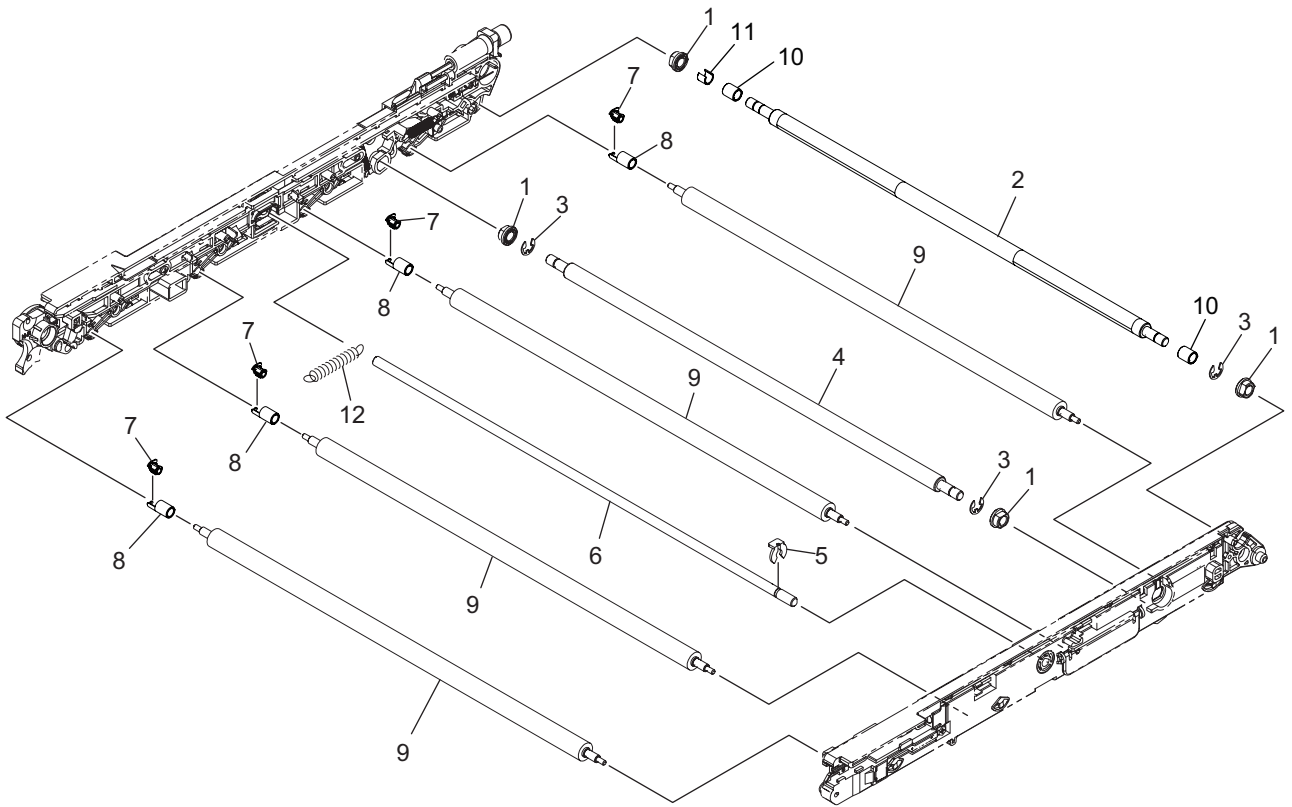
TBU-ASY-1



No.	Unit Name	Part Number	Description	Remarks	Reference
1	TBU-ASY-1		SHAFT-STY-TBU		6LJ55518000
2	TBU-ASY-1	45729609	BUSH-6-GCB	bushing	4407734980
3	TBU-ASY-1		LIFT-ARM-TR1-K		6LJ55588000
4	TBU-ASY-1		CAM-K-LIFT-F		6LJ55578000
5	TBU-ASY-1		CAM-K-LIFT-R		6LJ55489000
6	TBU-ASY-1		SHAFT-K-LIFT		6LJ55494000
7	TBU-ASY-1	45729575	RRG-4-P	Retaining ring	6LH03574000
8	TBU-ASY-1		RLR-LIFT-TBU-H21X		6LJ55433000
10	TBU-ASY-1		ASYS-RLRCLN-H21Y		6LJ55566000
12	TBU-ASY-1		GEAR-S08-32-TBU		6LJ55430000
13	TBU-ASY-1	45729588	S/BID-M3X8-NI	screw	X0-00434000
14	TBU-ASY-1	45729512	BELT-TBU-H21Y	Transfer Belt	6LJ70648000
15	TBU-ASY-1		SPG-C-TNS-TBU-20N		6LJ55472000
16	TBU-ASY-1		HLDR-TNSF-H21Y		6LJ55561000
17	TBU-ASY-1		WIRE-GND-CLN-TBU		6LJ55450000
18	TBU-ASY-1	45729586	S/TPP/BID-3X8-NI	screw	6LA80090000
19	TBU-ASY-1	45729577	RR/E-3-SS	e-ring	X0-00964000
20	TBU-ASY-1	45729589	S/TPP/FHEXM-3X8-NI	screw	X0-02247000
21	TBU-ASY-1		LOCK-TBU-F		6LJ55576000
22	TBU-ASY-1		SCREW-TBU-LOCK		6LJ55516000
23	TBU-ASY-1		ASYS-HLDR-TR2-F		6LJ55550000
24	TBU-ASY-1	45729591	S/PAN/SWWP-M3X8-NI	screw	X0-00077000
25	TBU-ASY-1		STAY-TBU-H21X		6LJ55438000
26	TBU-ASY-1	45729635	S/FHEXM-M3X8-NI	screw	X0-02231000
27	TBU-ASY-1	45729510	ASYS-RLR-TR2-TBU-H21X	roller	6LJ55603000

This Illustrated Parts Manual is to be used for part identification. Part numbers for the most often used parts are listed. To obtain parts for items that do not list an associated part number contact **Oki Data Technical Support at 866.654.1725** for specific part numbers and part ordering information

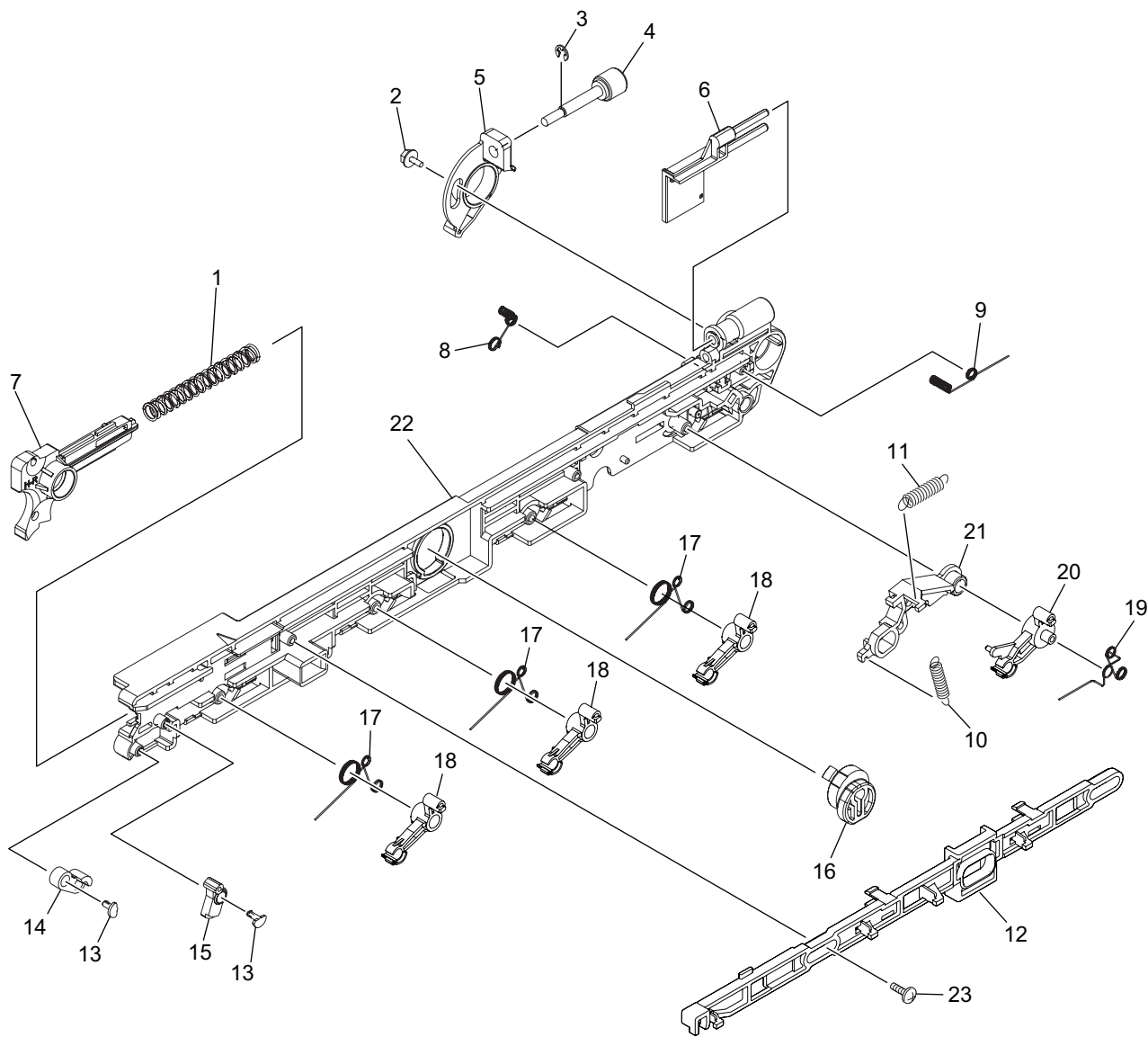
TBU-ASY-2



No.	Unit Name	Part Number	Description	Remarks	Reference
1	TBU-ASY-2	45729609	BUSH-6-GCB	bushing	4407734980
2	TBU-ASY-2		RLR-RIGID-TBU-H21X-TP04		6LJ55589000
3	TBU-ASY-2	45729579	RR/E-5-SS	e-ring	X0-00966000
4	TBU-ASY-2		RLR-KSET-TBU-H21X		6LJ55512000
5	TBU-ASY-2	45729598	STOP-RING-6-1.5	Retaining ring	44201801000
6	TBU-ASY-2		SHAFT-LINK-TBU		6LJ55410000
7	TBU-ASY-2		BUSH-EL-TR1-H21X		6LJ55553000
8	TBU-ASY-2		BUSH-TR1-H21X		6LJ55554000
9	TBU-ASY-2	45729507	CR-FC50TR1	Transfer roller	6LJ70588000
10	TBU-ASY-2		COLLAR-TBU-H21X		6LJ55536000
11	TBU-ASY-2		COL-RIGID-TBU-H21X		6LJ55537000
12	TBU-ASY-2		SPG-E-LINK-TBU		6LJ55548000

This Illustrated Parts Manual is to be used for part identification. Part numbers for the most often used parts are listed. To obtain parts for items that do not list an associated part number contact **Oki Data Technical Support at 866.654.1725** for specific part numbers and part ordering information

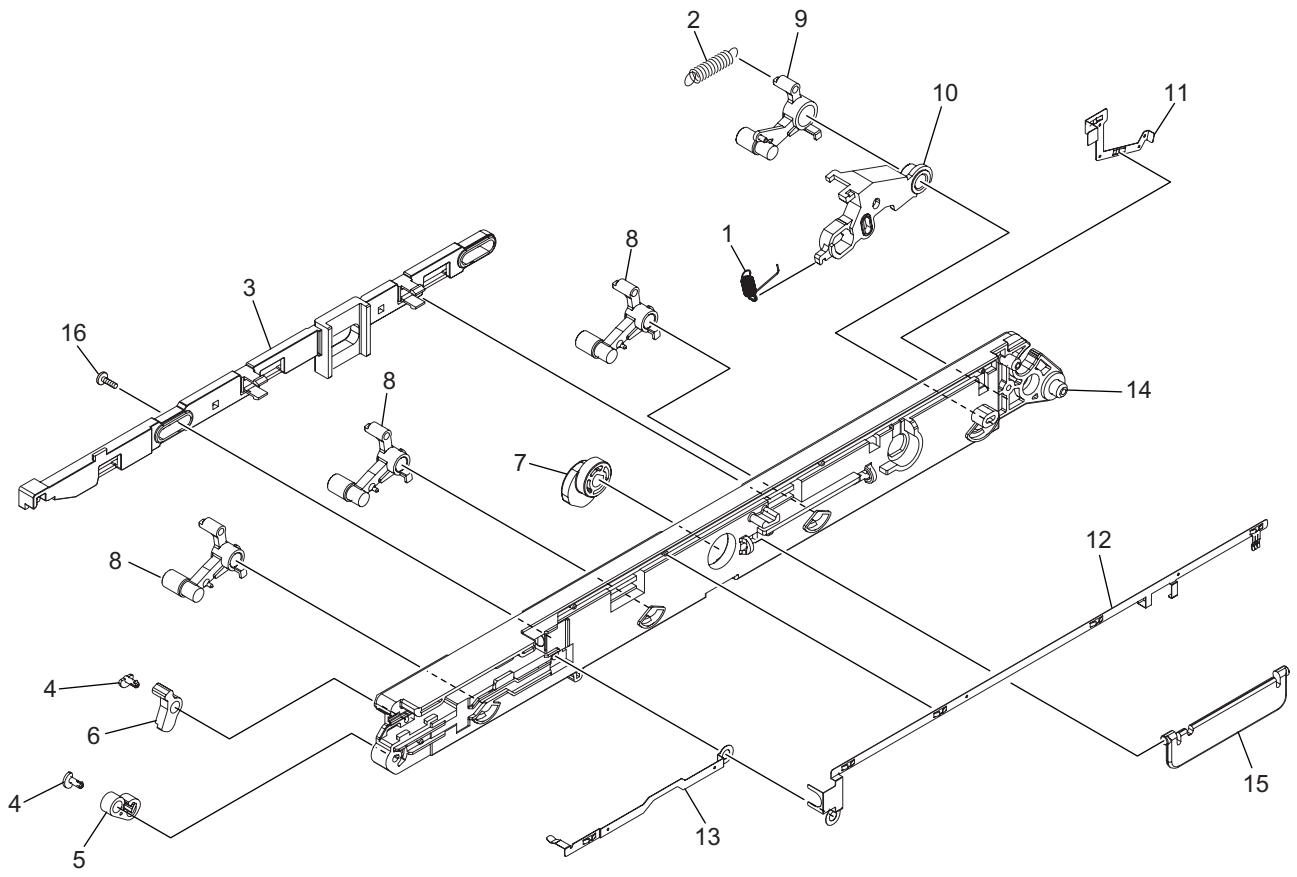
TBU-ASY-3



No.	Unit Name	Part Number	Description	Remarks	Reference
1	TBU-ASY-3		SPG-C-TNS-TBU-20N		6LJ55472000
2	TBU-ASY-3	45729587	S/TPP/FHEXM-3X6-NI	screw	X0-02246000
3	TBU-ASY-3	45729577	RR/E-3-SS	e-ring	X0-00964000
4	TBU-ASY-3		SCREW-TBU-LOCK		6LJ55516000
5	TBU-ASY-3		LOCK-TBU-R		6LJ55467000
6	TBU-ASY-3		LINK-LOCK-TBU		6LJ55515000
7	TBU-ASY-3		HLDR-TNSR-H21Y		6LJ55562000
8	TBU-ASY-3		SPG-T-HV-TR2-OUTSIDE		6LJ55473000
9	TBU-ASY-3		SPG-T-HV-TR2-INSIDE		6LJ55474000
10	TBU-ASY-3		SPG-E-K-LIFT-R		6LJ55498000
11	TBU-ASY-3		SPG-E-TR1-TBU		6LJ55470000
12	TBU-ASY-3		LINK-TBU-R-H21X		6LJ55551000
13	TBU-ASY-3		STOP-RING-LIFT		6LJ55513000
14	TBU-ASY-3		HLDR-LIFT-TBU-R		6LJ55573000
15	TBU-ASY-3		CAM-LIFT-R-H21X		6LJ55591000
16	TBU-ASY-3		COUPL-CAM-TBU-R		6LJ55412000
17	TBU-ASY-3		SPG-T-HV-TR1		6LJ55475000
18	TBU-ASY-3		ARM-TR1-R		6LJ55556000
19	TBU-ASY-3		SPG-T-HV-TR1-K		6LJ55509000
20	TBU-ASY-3		ARM-TR1-K-R		6LJ55555000
21	TBU-ASY-3		HLDR-ROL-K-R		6LJ55492000
22	TBU-ASY-3		ASYS-FRAME-TBU-R-H21X		6LJ55594000
23	TBU-ASY-3	45729586	S/TPP/BID-3X8-NI	screw	6LA80090000

This Illustrated Parts Manual is to be used for part identification. Part numbers for the most often used parts are listed. To obtain parts for items that do not list an associated part number contact **Oki Data Technical Support at 866.654.1725** for specific part numbers and part ordering information

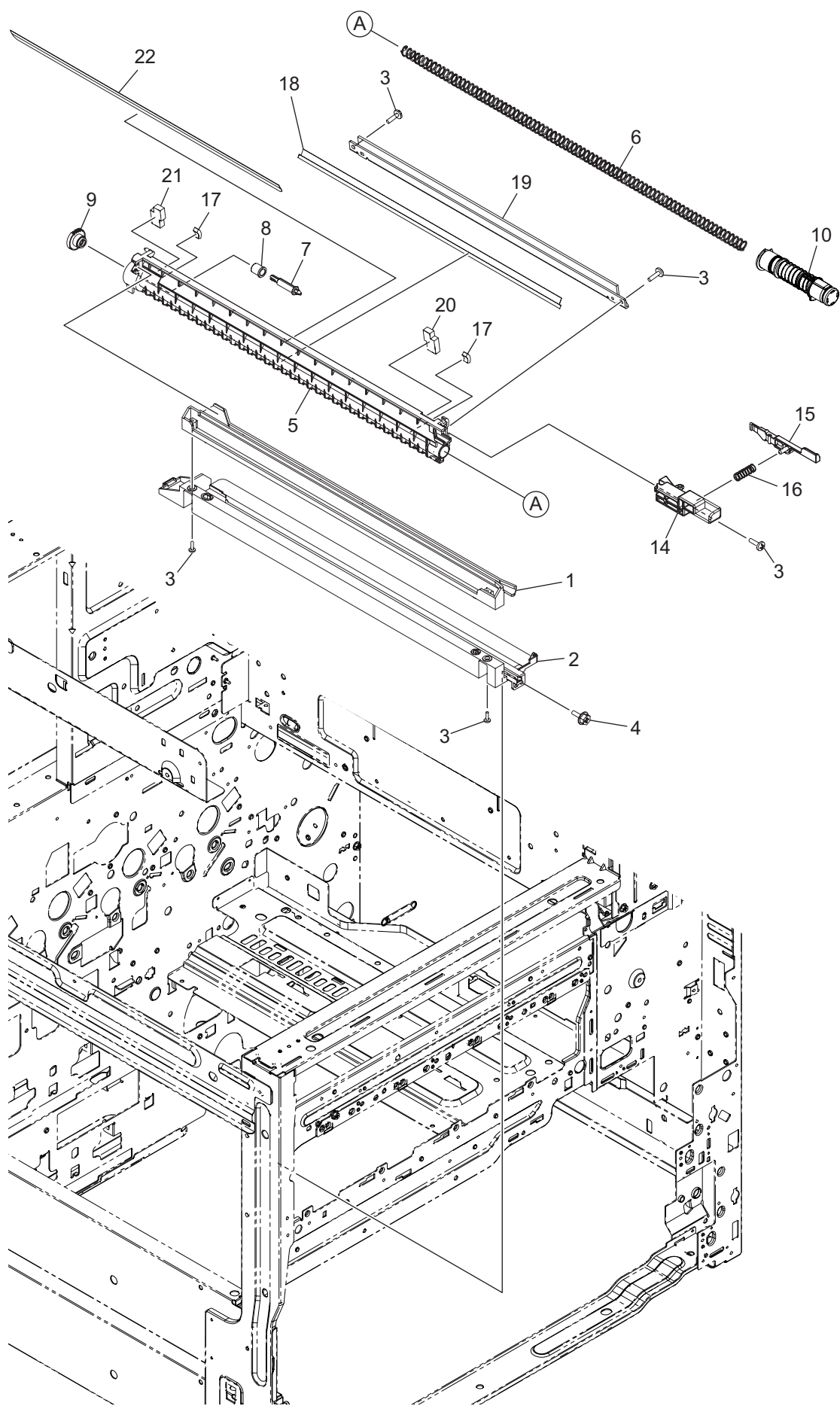
TBU-ASY-4



No.	Unit Name	Part Number	Description	Remarks	Reference
1	TBU-ASY-4		SPG-E-K-LIFT-F		6LJ55497000
2	TBU-ASY-4		SPG-E-TR1-TBU		6LJ55470000
3	TBU-ASY-4		LINK-TBU-F-H21X		6LJ55437000
4	TBU-ASY-4		STOP-RING-LIFT		6LJ55513000
5	TBU-ASY-4		HLDR-LIFT-TBU-F		6LJ55574000
6	TBU-ASY-4		CAM-LIFT-F-H21X		6LJ55590000
7	TBU-ASY-4		CAM-TR1-TBU-F		6LJ55411000
8	TBU-ASY-4		ARM-TR1-F		6LJ55417000
9	TBU-ASY-4		ARM-TR1-K-F		6LJ55500000
10	TBU-ASY-4		HLDR-ROL-K-F		6LJ55491000
11	TBU-ASY-4		SPG-F-GND-RIGID-TBU		6LJ55449000
12	TBU-ASY-4		SPG-F-GND-K-TBU		6LJ55447000
13	TBU-ASY-4		SPG-F-GND-LIFT-TBU		6LJ55448000
14	TBU-ASY-4		FRAME-TBU-F-H21X		6LJ55592000
15	TBU-ASY-4		HANDLE-TBU-F-H21X		6LJ55517000
16	TBU-ASY-4	45729586	S/TPP/BID-3X8-NI	screw	6LA80090000

This Illustrated Parts Manual is to be used for part identification. Part numbers for the most often used parts are listed. To obtain parts for items that do not list an associated part number contact **Oki Data Technical Support at 866.654.1725** for specific part numbers and part ordering information

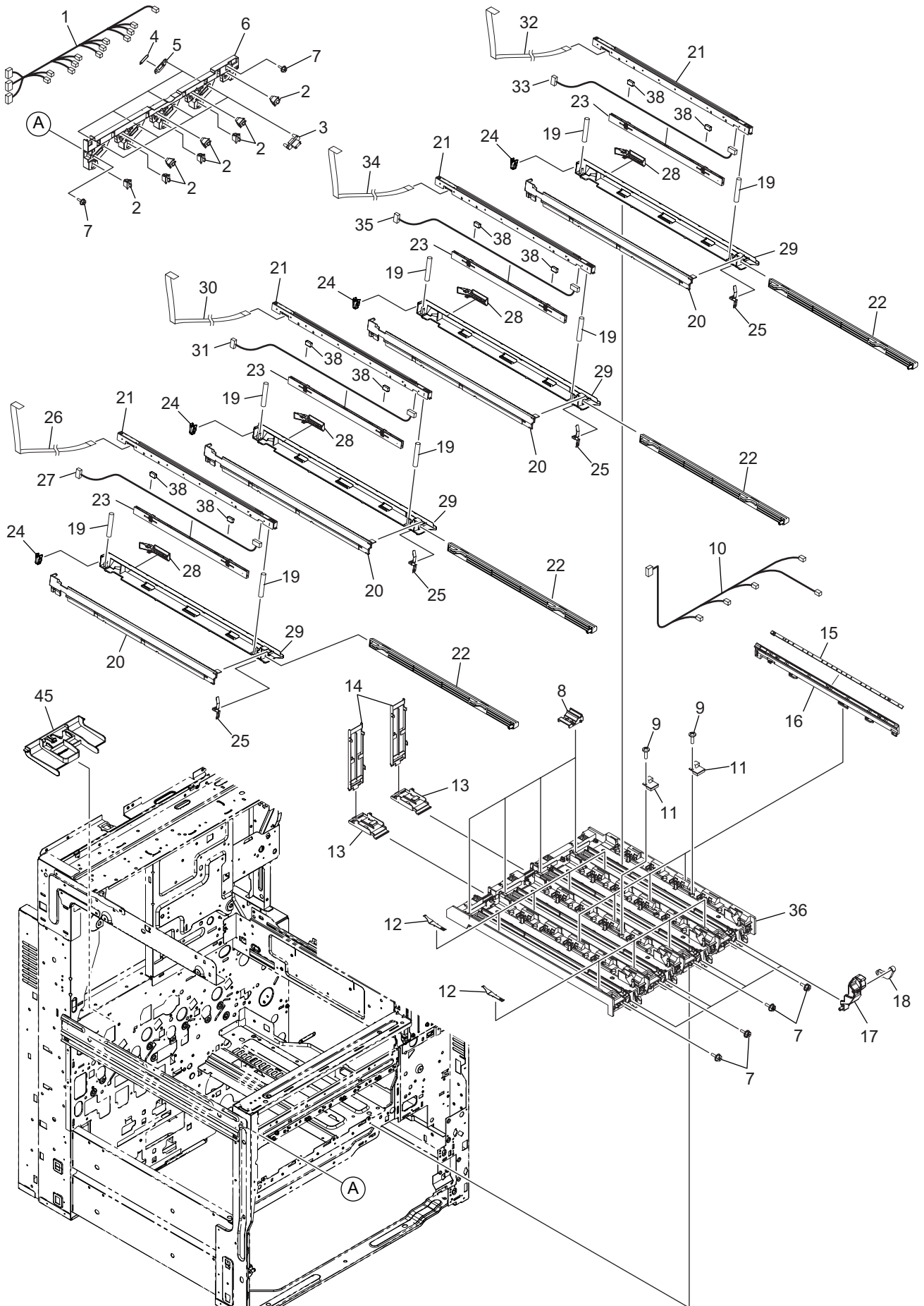
TBU-ASY-5



No.	Unit Name	Part Number	Description	Remarks	Reference
1	TBU-ASY-5		GUIDE-CLN-TBU-UPPER		6LJ55431000
2	TBU-ASY-5		GUIDE-CLN-TBU-LOWER		6LJ55432000
3	TBU-ASY-5	45729586	S/TPP/BID-3X8-NI	screw	6LA80090000
4	TBU-ASY-5	45729639	S/TPS/FHEXM/R-3X8-ZU3	screw	X0-02420000
5	TBU-ASY-5		FRAME-CLN-TBU-H21X		6LJ55400000
6	TBU-ASY-5	45729650	SP-AUGER-G10-P5-S1	Auger	6LJ55415000
7	TBU-ASY-5		BUSH-JOINT-TBU-H21X		6LJ55520000
8	TBU-ASY-5		BUSH-AUGER-TBUCLN		6LJ55503000
9	TBU-ASY-5		GEAR-CLN-TBU-H21X		6LJ55403000
10	TBU-ASY-5		ASYB-NOZZLE-CLNR-H21X		6LJ55549000
14	TBU-ASY-5		HANDLE-TBUCLN		6LJ55502000
15	TBU-ASY-5		HANDLE-LOCK-TBUCLN		6LJ55506000
16	TBU-ASY-5		SPG-C-LOCK-TBUCLN		6LJ55507000
17	TBU-ASY-5	45689713	SEAL-BLADE-BACK-TBU	Seal	6LJ55446000
18	TBU-ASY-5		SHEET-AUGER-TBU-H21X		6LJ55442000
19	TBU-ASY-5	45689710	BL-FC30TR	Cleaning Blade	6LJ70396000
20	TBU-ASY-5	45689711	SEAL-SIDE-TBU-F	seal	6LJ55444000
21	TBU-ASY-5	45689712	SEAL-SIDE-TBU-R	seal	6LJ55445000
22	TBU-ASY-5		SHEET-REC-TBU-H21X		6LJ55443000

This Illustrated Parts Manual is to be used for part identification. Part numbers for the most often used parts are listed. To obtain parts for items that do not list an associated part number contact **Oki Data Technical Support at 866.654.1725** for specific part numbers and part ordering information

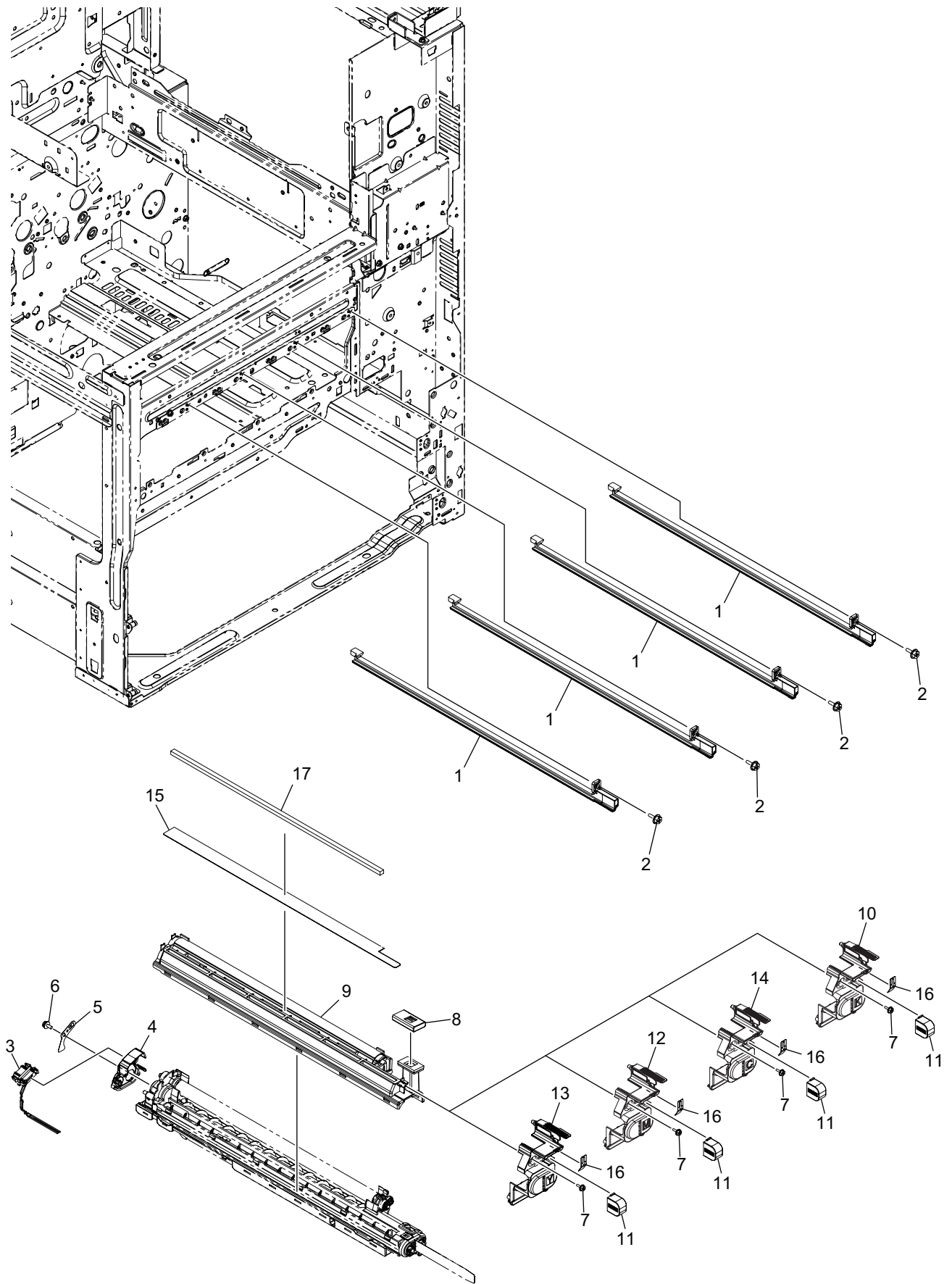
EPU-GUIDE-ASY



No.	Unit Name	Part Number	Description	Remarks	Reference
1	EPU-GUIDE-ASY		HRNS-LGC-ATEPU-212		6LJ60862000
2	EPU-GUIDE-ASY	45729601	CS1A-B2CA	switch	E0-01853000
3	EPU-GUIDE-ASY		06R-RIZ-K4GG-FL (LF)(SN)		E0-14465000
4	EPU-GUIDE-ASY		SPG-E-DRW		6LJ54089000
5	EPU-GUIDE-ASY		PLATE-HOLD-DRW		6LJ54088000
6	EPU-GUIDE-ASY		BASE-DRW-RER-B		6LJ54181000
7	EPU-GUIDE-ASY	45729639	S/TPS/FHEXM/R-3X8-ZU3	screw	X0-02420000
8	EPU-GUIDE-ASY		COVER-HRNS		6LJ54657000
9	EPU-GUIDE-ASY	45729586	S/TPP/BID-3X8-NI	screw	6LA80090000
10	EPU-GUIDE-ASY		HRNS-LGC-DLED-212		6LJ60873000
11	EPU-GUIDE-ASY		THMS-DRM-H210		6LJ60539000
12	EPU-GUIDE-ASY		SPG-F-PUSHER-DEV-21X		6LJ54669000
13	EPU-GUIDE-ASY		GUIDE-HRNS-LED-MID		6LJ54746000
14	EPU-GUIDE-ASY		GUIDE-HRNS-LED		6LJ54665000
15	EPU-GUIDE-ASY		LAMP-ERASE-H212		6LJ61245000
16	EPU-GUIDE-ASY		HOLDER-LED-ERASE		6LJ54745000
17	EPU-GUIDE-ASY		LEVER-LED		6LJ54741000
18	EPU-GUIDE-ASY		LINK-LED-LEVER		6LJ54666000
19	EPU-GUIDE-ASY		SPG-C-8R1XR7X46R5-LED		6LJ54634000
20	EPU-GUIDE-ASY		CASE-LED-LEFT		6LJ54661000
21	EPU-GUIDE-ASY	45729624	ASYS-LED-HEAD	LED Head Ass'y	6LJ54736000
22	EPU-GUIDE-ASY		LEVER-LED-DOWN		6LJ54743000
23	EPU-GUIDE-ASY		LINK-GUIDE-HRNS-LED		6LJ54658000
24	EPU-GUIDE-ASY		SPG-F-EARTH-RER		6LJ54668000
25	EPU-GUIDE-ASY		SPG-F-EARTH-FRT		6LJ54667000
26	EPU-GUIDE-ASY		ASYS-HRNS-LGC-HEADY-212KR		6LJ61212200
27	EPU-GUIDE-ASY		HRNS-LGC-YLEDP-212		6LJ60882000
28	EPU-GUIDE-ASY		DUCT-COVER-OZONE		6LJ54663000
29	EPU-GUIDE-ASY		CASE-LED-RIGHT		6LJ54768000
30	EPU-GUIDE-ASY		ASYS-HRNS-LGC-HEADM-212KR		6LJ61213200
31	EPU-GUIDE-ASY		HRNS-LGC-MLEDP-212		6LJ60883000
32	EPU-GUIDE-ASY		ASYS-HRNS-LGC-HEADK-212KR		6LJ61215200
33	EPU-GUIDE-ASY		HRNS-LGC-KLEDP-212		6LJ60885000
34	EPU-GUIDE-ASY		ASYS-HRNS-LGC-HEADC-212KR		6LJ61214200
35	EPU-GUIDE-ASY		HRNS-LGC-CLEDP-212		6LJ60884000
36A	EPU-GUIDE-ASY		ASYS-GUIDE-EPU-H2	ES9475	6LJ54752100
36B	EPU-GUIDE-ASY		ASYS-GUIDE-EPU-H1	ES9465	6LJ54752000
38	EPU-GUIDE-ASY		SHEET-GUIDE-HRNS		6LJ54742000
45	EPU-GUIDE-ASY		GUIDE-HRNS-LED-H21Y		6LJ54723000

This Illustrated Parts Manual is to be used for part identification. Part numbers for the most often used parts are listed. To obtain parts for items that do not list an associated part number contact **Oki Data Technical Support at 866.654.1725** for specific part numbers and part ordering information

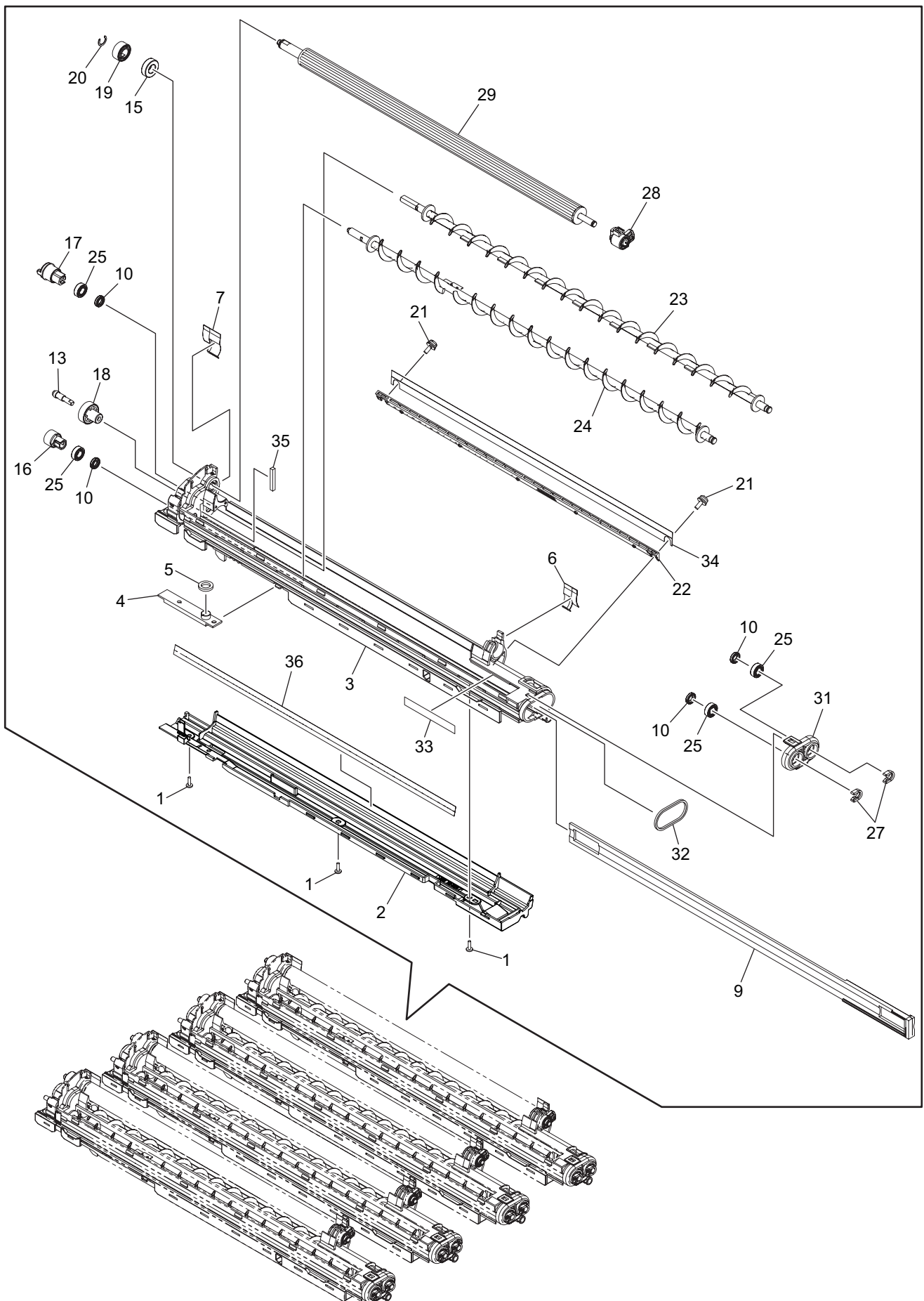
DEVELOPER-ASY-1



No.	Unit Name	Part Number	Description	Remarks	Reference
1	DEVELOPER-ASY-1		RAIL-CLNR-UNIT-H21X		6LJ54755000
2	DEVELOPER-ASY-1	45729639	S/TPS/FHEXM/R-3X8-ZU3	screw	X0-02420000
3	DEVELOPER-ASY-1		ASYB-HRNS-ATTNR-210		6LJ61544000
4	DEVELOPER-ASY-1		BRKT-STUD-GEAR-IDLE		6LJ54043000
5	DEVELOPER-ASY-1		ADJSTR-MG-21X		6LJ54063000
6	DEVELOPER-ASY-1		S/PAN/SWWS-M3X6-NI		X0-00059000
7	DEVELOPER-ASY-1	45729589	S/TPP/FHEXM-3X8-NI	screw	X0-02247000
8	DEVELOPER-ASY-1		SHUT-TNR-DEV-21X		6LJ54053000
9A	DEVELOPER-ASY-1		ASYS-COV-DEV-21Y	ES9465	6LJ54193100
9B	DEVELOPER-ASY-1		ASYS-COV-DEV-21YH2	ES9475	6LJ54193200
10A	DEVELOPER-ASY-1		COV-DEV-FRT-21X-HK	ES9475 For Black	6LJ54249400
10B	DEVELOPER-ASY-1		COV-DEV-FRT-21X-K	ES9465 For Black	6LJ54249000
11	DEVELOPER-ASY-1		HNDL-DEV-FRT-21X		6LJ54109000
12A	DEVELOPER-ASY-1		COV-DEV-FRT-21X-HM	ES9475 For Magenta	6LJ54249600
12B	DEVELOPER-ASY-1		COV-DEV-FRT-21X-M	ES9465 For Magenta	6LJ54249200
13A	DEVELOPER-ASY-1		COV-DEV-FRT-21X-HY	ES9475 For Yellow	6LJ54249700
13B	DEVELOPER-ASY-1		COV-DEV-FRT-21X-Y	ES9465 For Yellow	6LJ54249300
14A	DEVELOPER-ASY-1		COV-DEV-FRT-21X-HC	ES9475 For Cyan	6LJ54249500
14B	DEVELOPER-ASY-1		COV-DEV-FRT-21X-C	ES9465 For Cyan	6LJ54249100
15	DEVELOPER-ASY-1		SHEET-PRIN-DEV		6LJ54085000
16	DEVELOPER-ASY-1		LBL-ARROW-CLN		6LJ54693000
17	DEVELOPER-ASY-1		SEAL-COV-DEV-2		6LJ54200000

This Illustrated Parts Manual is to be used for part identification. Part numbers for the most often used parts are listed. To obtain parts for items that do not list an associated part number contact **Oki Data Technical Support at 866.654.1725** for specific part numbers and part ordering information

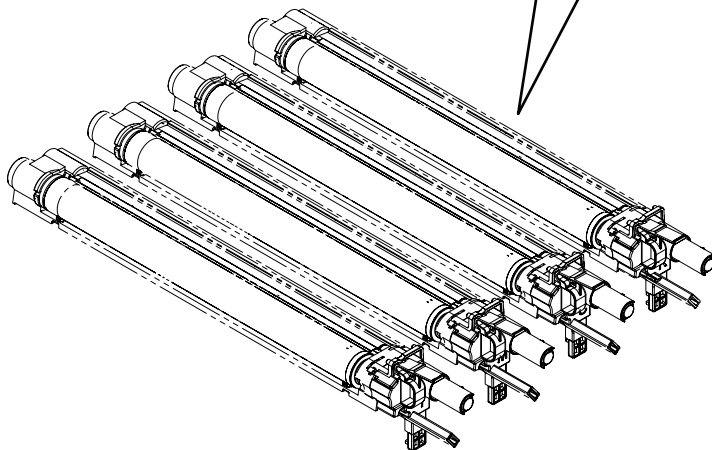
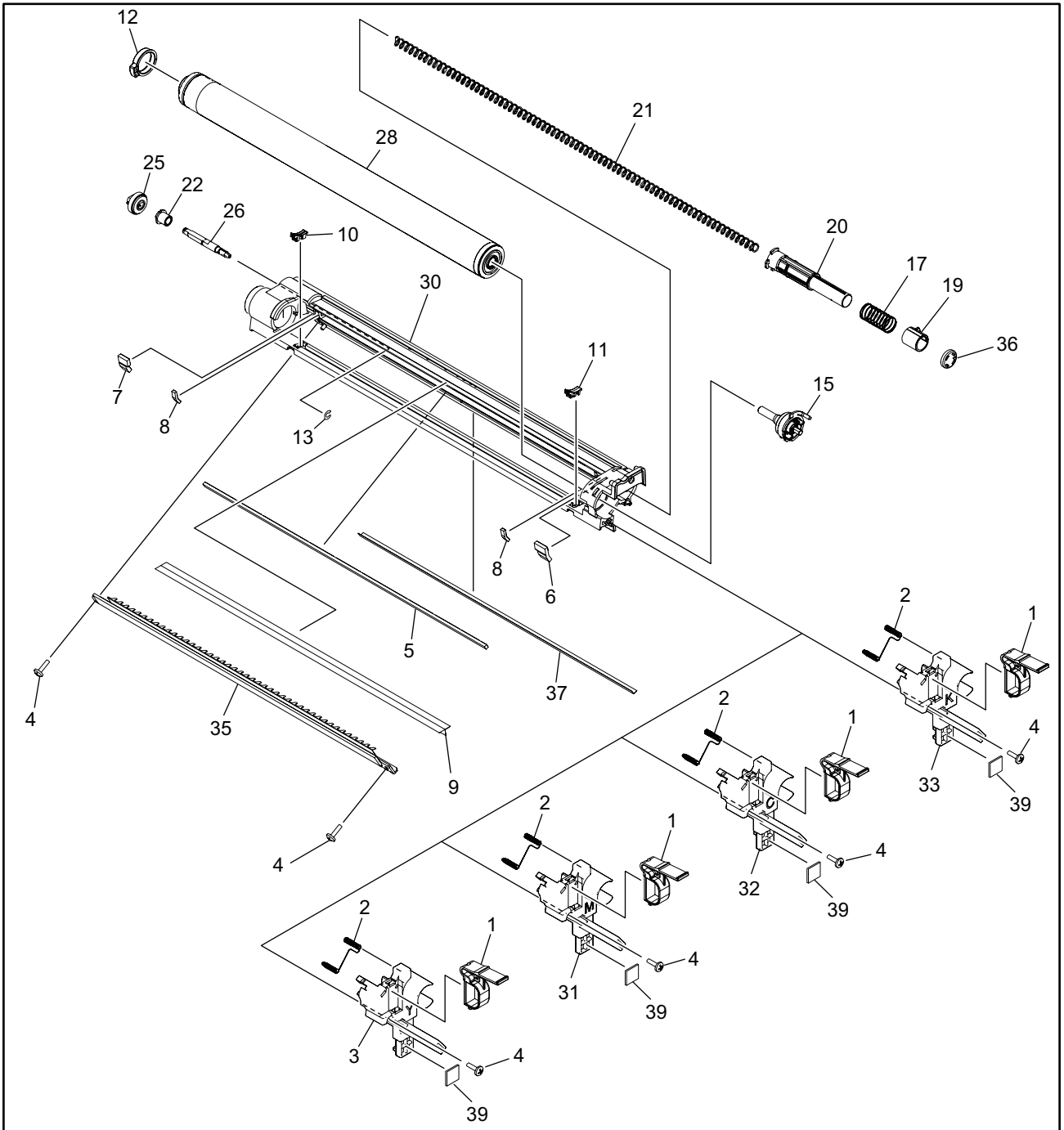
DEVELOPER-ASY-2



No.	Unit Name	Part Number	Description	Remarks	Reference
1	DEVELOPER-ASY-2	45729586	S/TPP/BID-3X8-NI	screw	6LA80090000
2A	DEVELOPER-ASY-2		DUCT-COOL-DEV-21Y	ES9465	6LJ54167000
2B	DEVELOPER-ASY-2		ASYS-DUCT-COOL-DEV-21Y	ES9475	6LJ54209000
3	DEVELOPER-ASY-2		ASYS-CASE-DEV-SEAL-21Y		6LJ54186000
4	DEVELOPER-ASY-2		SNSR-ATC-H210		6LJ60501000
5	DEVELOPER-ASY-2	45729593	SEAL-ATC-BLK	seal	6LA29904000
6	DEVELOPER-ASY-2		SEAL-RLR-MAGT-SIDE-FRT		6LJ54072000
7	DEVELOPER-ASY-2		SEAL-RLR-MAGT-SIDE-RER		6LJ54073000
9	DEVELOPER-ASY-2		ASYS-SPRTR-DEV-21X		6LJ54240000
10	DEVELOPER-ASY-2	45729594	SEAL-VC6-10-2.5	seal	4401949290
13	DEVELOPER-ASY-2		STUD-GEAR-IDLE		6LJ54145000
15	DEVELOPER-ASY-2	45729554	6882RSSH44M	bearing	F0-01868000
16	DEVELOPER-ASY-2		GEAR-04H-29-9-MIX-SPLR		6LJ54056000
17	DEVELOPER-ASY-2		GEAR-04H-29-9-MIX-AGIR		6LJ54055000
18A	DEVELOPER-ASY-2		ASYS-GEAR-IDLE-21Y	ES9475	6LJ54169000
18B	DEVELOPER-ASY-2		GEAR-04H-42-6-IDLE-21X	ES9465	6LJ54057000
19	DEVELOPER-ASY-2		GEAR-04H-35-8-RLR-MG		6LJ54058000
20	DEVELOPER-ASY-2		S5103-31 3BC		F0-01499000
21	DEVELOPER-ASY-2		S/PAN/SWWS-M3X6-NI		X0-00059000
22	DEVELOPER-ASY-2		ASYS-HLDR-DRM-H21X		6LJ54196000
23	DEVELOPER-ASY-2		MIXER-DEV-SPLR		6LJ54202000
24	DEVELOPER-ASY-2		ASYS-MIXR-DEV-AGIR		6LJ54204000
25A	DEVELOPER-ASY-2	45729555	L1260 2RS-SH44M-GV22	ES9475	F0-01959000
25B	DEVELOPER-ASY-2		BUSH-6X12X4-671	ES9465	6LJ54048000
27	DEVELOPER-ASY-2	45729597	STOP-RING-6-5	Retaining ring	4407972860
28	DEVELOPER-ASY-2		BUSH-RLR-MAGT-FRT-21X		6LJ54245000
29	DEVELOPER-ASY-2		RLR-MAGT-21X-100-2		6LJ54183000
31	DEVELOPER-ASY-2		BUSH-DEV-FRT-21X		6LJ54253000
32	DEVELOPER-ASY-2		SEAL-BUSH-DEV-FRT-21X		6LJ54144000
33	DEVELOPER-ASY-2		SHEET-DEV-SIDE		6LJ54704000
34	DEVELOPER-ASY-2		SEAL-DRUM-DEV		6LJ54153000
35	DEVELOPER-ASY-2		SEAL-SPRTR-RER		6LJ54155000
36	DEVELOPER-ASY-2		SHEET-DOC-COOL-21Y		6LJ54182000
38	DEVELOPER-ASY-2		SEAL-GAP-DEV-RER		6LJ54230000

This Illustrated Parts Manual is to be used for part identification. Part numbers for the most often used parts are listed. To obtain parts for items that do not list an associated part number contact **Oki Data Technical Support at 866.654.1725** for specific part numbers and part ordering information

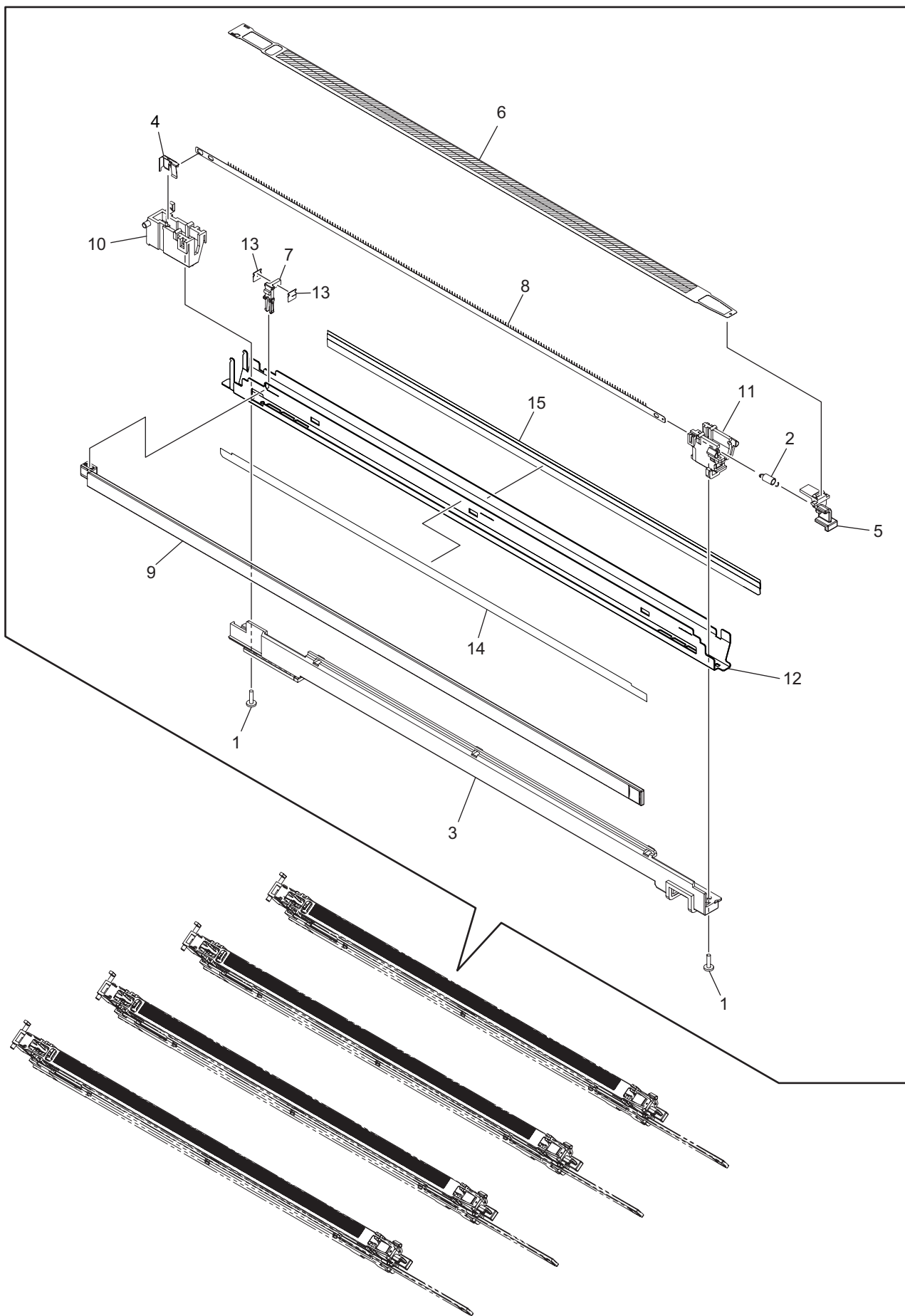
CLEANER-ASY-1



No.	Unit Name	Part Number	Description	Remarks	Reference
1	CLEANER-ASY-1		HOOK-CLNR-DRUM-H21X		6LJ54094000
2	CLEANER-ASY-1		SPG-DRUM-EARTH-H21X		6LJ54036000
3	CLEANER-ASY-1		COV-DRUM-CLNR-F-H21X-HY	For Yellow	6LJ54007700
4	CLEANER-ASY-1	45729586	S/TPP/BID-3X8-NI	screw	6LA80090000
5	CLEANER-ASY-1		SEAL-CASE-CLNR-H21X		6LJ54033000
6	CLEANER-ASY-1		SEAL-SIDE-FRT-H21X		6LJ54241000
7	CLEANER-ASY-1		SEAL-SIDE-RER-H21X		6LJ54242000
8	CLEANER-ASY-1		SEAL-BLADE-BACK-H21X		6LJ54034000
9	CLEANER-ASY-1	45729606	BLADE-REC-H21X	Recovery blade	6LJ54029000
10	CLEANER-ASY-1	45689706	SPACER-LED-RER-H21X	spacer	6LJ54012000
11	CLEANER-ASY-1	45689705	SPACER-LED-FRT-H21X	spacer	6LJ54011000
12	CLEANER-ASY-1	45689708	BUSH-DRUM-RER-H21X	bushing	6LJ54005000
13	CLEANER-ASY-1		RRG-4-P-N		6LJ54091000
15	CLEANER-ASY-1	45689707	ASYB-BUSH-DRUM-FRT-H21X	bushing	6LJ54110000
17	CLEANER-ASY-1		SPG-SHUT-CNLR-DRUM-H21X		6LJ54040000
19	CLEANER-ASY-1		SHUT-NOZZLE-CLNR-H21X		6LJ54015000
20	CLEANER-ASY-1		NOZZLE-CLNR-AUGER-H21X		6LJ54014000
21	CLEANER-ASY-1		SPG-AUGER-8-5_5-H21X		6LJ54003000
22	CLEANER-ASY-1		BUSH-AUGER-RER-H21X		6LJ54001000
25	CLEANER-ASY-1		GEAR-6S30-6-AUGER		6LJ54030000
26	CLEANER-ASY-1		HOLDER-DOG-H21X		6LJ54013000
28	CLEANER-ASY-1	45729506	OD-FC50-OKI	drum	6LJ70776000
30	CLEANER-ASY-1		ASYS-CASE-CLNR-DRUM-H21X		6LJ54198000
31	CLEANER-ASY-1		COV-DRUM-CLNR-F-H21X-HM	For Magenta	6LJ54007600
32	CLEANER-ASY-1		COV-DRUM-CLNR-F-H21X-HC	For Cyan	6LJ54007500
33	CLEANER-ASY-1		COV-DRUM-CLNR-F-H21X-HK	For Black	6LJ54007400
35	CLEANER-ASY-1	45689701	BL-FC30D	blade	6LJ70395000
36	CLEANER-ASY-1		CAP-NOZZLE-CLNR-D-H21X		6LJ54126000
37	CLEANER-ASY-1	45729607	BLADE-CLN-H21X	Cleaning blade	6LJ54146000
39	CLEANER-ASY-1		SHEET-PUSHER-CLNR		6LJ54161000

This Illustrated Parts Manual is to be used for part identification. Part numbers for the most often used parts are listed. To obtain parts for items that do not list an associated part number contact **Oki Data Technical Support at 866.654.1725** for specific part numbers and part ordering information

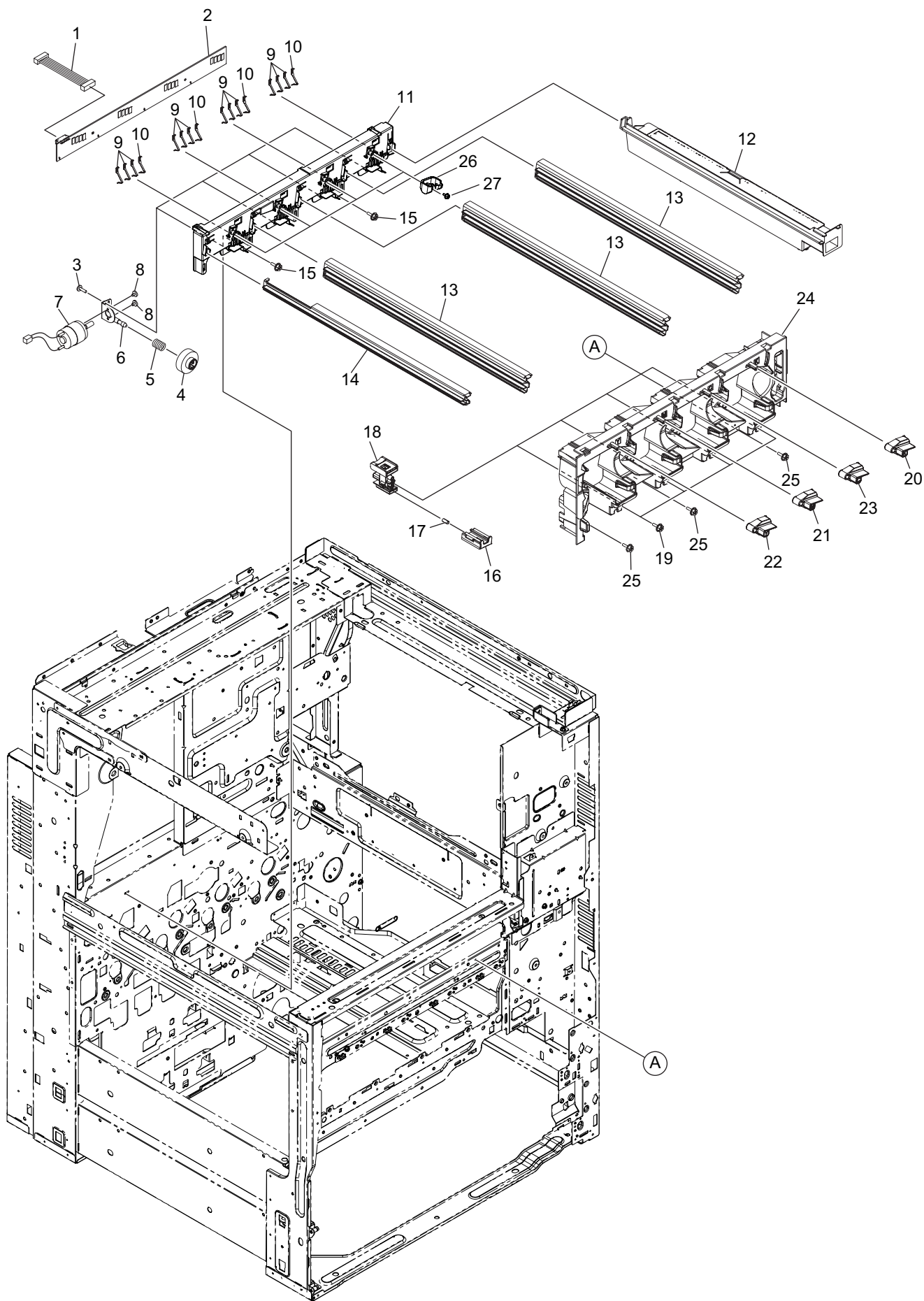
CLEANER-ASY-2



No.	Unit Name	Part Number	Description	Remarks	Reference
1	CLEANER-ASY-2	45729586	S/TPP/BID-3X8-NI	screw	6LA80090000
2	CLEANER-ASY-2	45729595	SPG-E-4XR5X11R2-CHARGR	Spring needle elec.	6LE23557000
3	CLEANER-ASY-2		ASYS-DUCT-CHARGR-H21X		6LJ54112000
4	CLEANER-ASY-2		SPG-F-BIAS-CHGR-H21X		6LJ54028000
5	CLEANER-ASY-2	45729626	LEVER-GRID-CHARGR-H21X	Charge grid holder	6LJ54234000
6	CLEANER-ASY-2	45689704	GRID-CHARGR-MAIN-H21Y	Charge grid	6LJ54180000
7	CLEANER-ASY-2		ASYS-HLDR-CLNR-CH-H21X		6LJ54093000
8	CLEANER-ASY-2	45689702	PIN-ARRAY-CHARGR-H21X	Needle electrode	6LJ54223000
9	CLEANER-ASY-2		ROD-CHARGR-MAIN-H21X		6LJ54009000
10	CLEANER-ASY-2		TEARM-CHARGR-MAIN-R-H21Y		6LJ54158100
11	CLEANER-ASY-2		TEARM-CHARGR-MAIN-F-H21X		6LJ54019000
12	CLEANER-ASY-2		CASE-CHARGR-MAIN-H21X		6LJ54017000
13	CLEANER-ASY-2		FILM-CLNR-CHARGR-H21X		6LJ54099000
14	CLEANER-ASY-2		SHEET-CHARGR-LED		6LJ54021000
15	CLEANER-ASY-2		SHEET-CHARGR-RGT-H21X-B		6LJ54022000

This Illustrated Parts Manual is to be used for part identification. Part numbers for the most often used parts are listed. To obtain parts for items that do not list an associated part number contact **Oki Data Technical Support at 866.654.1725** for specific part numbers and part ordering information

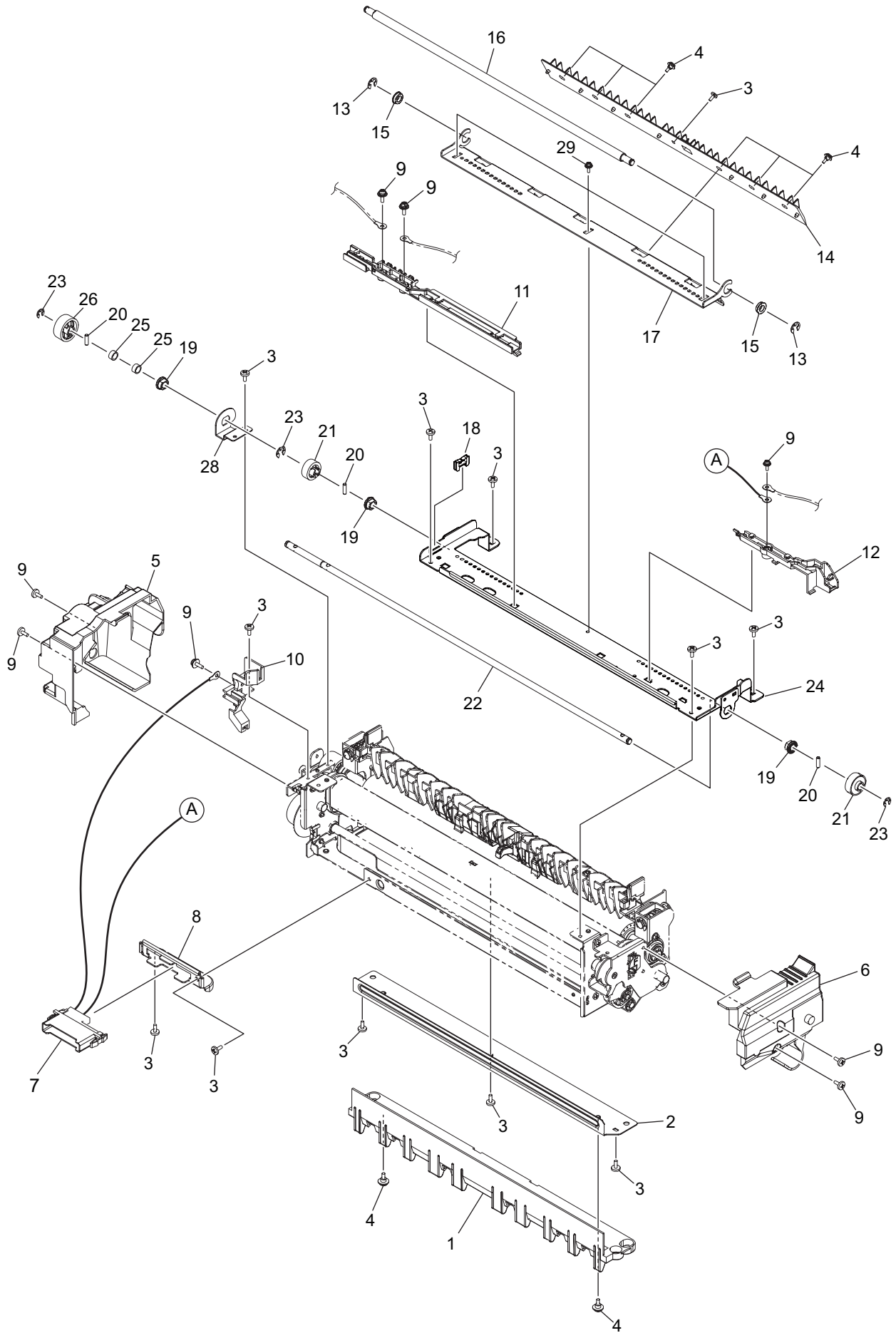
TNR-DRIVE-ASY



No.	Unit Name	Part Number	Description	Remarks	Reference
1	TNR-DRIVE-ASY		HRNS-LGC-TNRIC-212		6LJ60863000
2	TNR-DRIVE-ASY	45735707	ASYB-CTIF-210		6LJ60734000
3	TNR-DRIVE-ASY	45729586	S/TPP/BID-3X8-NI	screw	6LA80090000
4A	TNR-DRIVE-ASY	45689797	GEAR-5H68-6-H21X-J	gear	6LJ54816300
4B	TNR-DRIVE-ASY		GEAR-5H68-6-H21X-U		6LJ54816100
4C	TNR-DRIVE-ASY		GEAR-5H68-6-H21X-D		6LJ54816200
5	TNR-DRIVE-ASY	45729648	SPG-C-11R8XR8X24R	spring	6LH39254000
6	TNR-DRIVE-ASY		ASYS-TNRBKT-H21X		6LJ54809000
7	TNR-DRIVE-ASY	45729567	ASYS-MOTRD-TNR-470		6LH53764000
8	TNR-DRIVE-ASY		S/BID-M2.6X3-NI	motor	X0-02557000
9	TNR-DRIVE-ASY		SPG-F-TNRIC-H21X		6LJ54889000
10	TNR-DRIVE-ASY		SPG-F-TNRIC-H21X-G		6LJ54890000
11	TNR-DRIVE-ASY		HLDR-TNRDRV-H21X		6LJ54895000
12A	TNR-DRIVE-ASY		ASYS-DUCT-STAY-FUS-H21Y	ES9465	6LJ53199000
12B	TNR-DRIVE-ASY		ASYS-DUCT-STAY-FUS-H21YH	ES9475	6LJ53199100
13	TNR-DRIVE-ASY		STAY-TNR-H21X		6LJ54813000
14	TNR-DRIVE-ASY		STAY-TNR-H21X-Y		6LJ54812000
15	TNR-DRIVE-ASY	45729639	S/TPS/FHEXM/R-3X8-ZU3	screw	X0-02420000
16	TNR-DRIVE-ASY		ASYS-SHUTPIPE-H21X		6LJ54834000
17	TNR-DRIVE-ASY		SPG-C-SHUT-TONER-N1		6LJ54893000
18	TNR-DRIVE-ASY		ASYS-PIPE-H21X		6LJ54845000
19	TNR-DRIVE-ASY	45729589	S/TPP/FHEXM-3X8-NI	screw	X0-02247000
20	TNR-DRIVE-ASY		ASYS-LVRTNR-H21X-K		6LJ54853300
21	TNR-DRIVE-ASY		ASYS-LVRTNR-H21X-M		6LJ54853100
22	TNR-DRIVE-ASY		ASYS-LVRTNR-H21X-Y		6LJ54853000
23	TNR-DRIVE-ASY		ASYS-LVRTNR-H21X-C		6LJ54853200
24	TNR-DRIVE-ASY		ASYS-COV-INNER-H21Y		6LJ54880000
25	TNR-DRIVE-ASY		S/FHEXM-M3X8-NI		X0-02231000
26	TNR-DRIVE-ASY		CATCH-TNR-H21X		6LJ54894000
27	TNR-DRIVE-ASY	45729587	S/TPP/FHEXM-3X6-NI	screw	X0-02246000

This Illustrated Parts Manual is to be used for part identification. Part numbers for the most often used parts are listed. To obtain parts for items that do not list an associated part number contact **Oki Data Technical Support at 866.654.1725** for specific part numbers and part ordering information

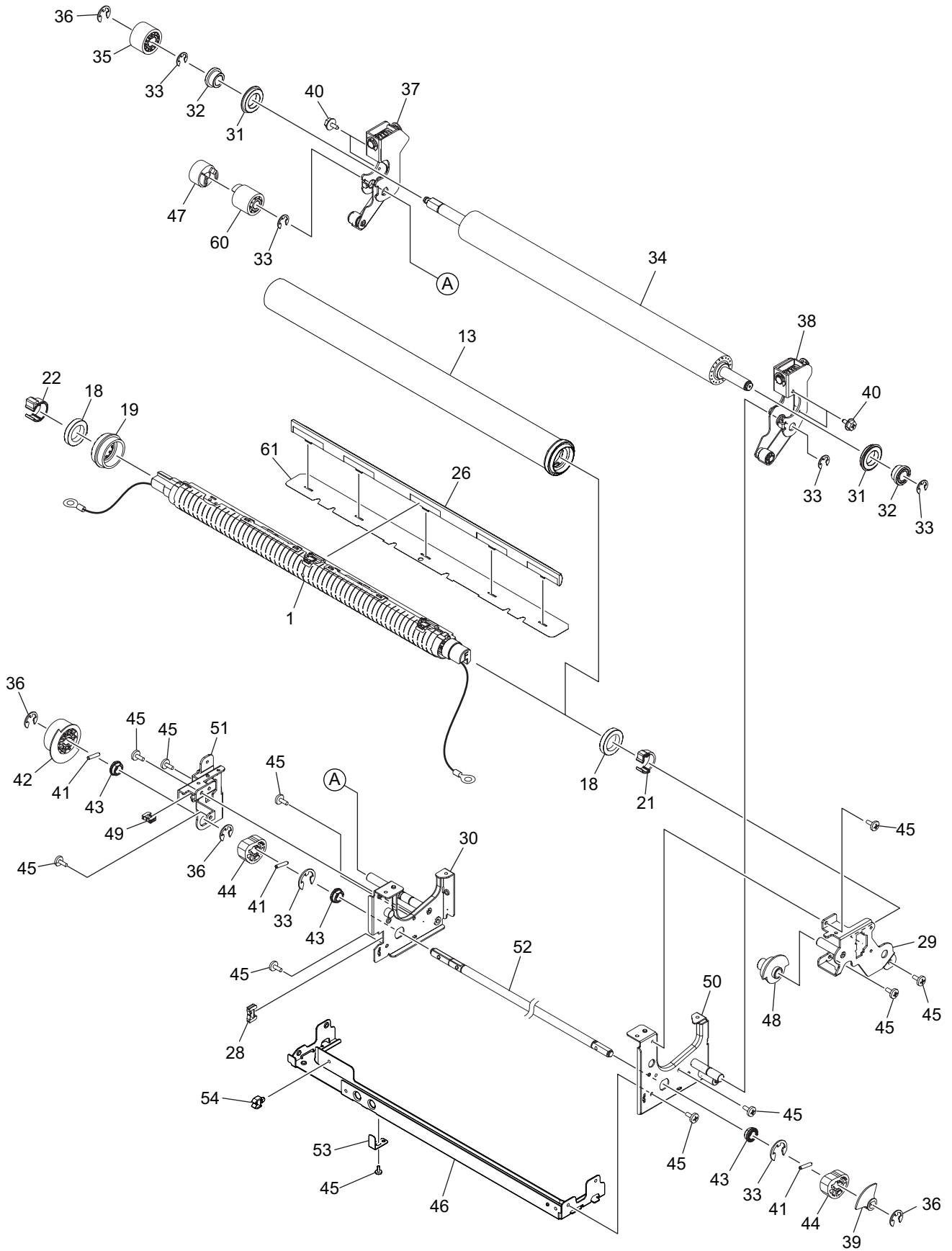
FUSER-ASY-1



No.	Unit Name	Part Number	Description	Remarks	Reference
1	FUSER-ASY-1		GUIDE-ENT-PR-H212		6LJ58802000
2	FUSER-ASY-1		PLT-ENT-PR-H212		6LJ58638000
3	FUSER-ASY-1	45729641	S/BID-M3X6-NI	screw	X0-00430000
4	FUSER-ASY-1		SCREW-M3-D4X2.3		6LH36359000
5	FUSER-ASY-1		COVER-FUS-R-H212		6LJ58635000
6	FUSER-ASY-1		COVER-FUS-F-H21Y		6LJ58636000
7	FUSER-ASY-1		HRNS-FUS-212		6LJ60965000
8	FUSER-ASY-1		BRKT-DRW-FUS-H212		6LJ58873000
9	FUSER-ASY-1	45729591	S/PAN/SWWP-M3X8-NI	screw	X0-00077000
10	FUSER-ASY-1		ASYS-HLDR-HRNS-FUS-R-H212		6LJ58959000
11	FUSER-ASY-1		ASYS-HLDR-FUSE-INI		6LJ58765000
12	FUSER-ASY-1		ASYS-HLDR-HRNS-FUS-U-H212		6LJ58856000
13	FUSER-ASY-1	45729579	RR/E-5-SS	e-ring	X0-00966000
14	FUSER-ASY-1		SCRAPER-H-02T		6LJ58891000
15	FUSER-ASY-1		LF-1060ZZHP0P25LY551		F0-02170000
16	FUSER-ASY-1		RLR-FUS-EXIT-H21Y-SILICON		6LJ58827000
17	FUSER-ASY-1		BRKT-SCRIP-M1		6LJ58735000
18	FUSER-ASY-1	45729615	ES-0505-2-46	retainer	F0-01844000
19	FUSER-ASY-1	45729614	BUSH-6	bushing	6LH68707000
20	FUSER-ASY-1	45729622	P/PRL/AH7-3X12-SS	pin	X0-01535000
21	FUSER-ASY-1		GEAR-BL-I4		6LJ58866000
22	FUSER-ASY-1		SFT-BLT-D		6LJ58626000
23	FUSER-ASY-1	45729578	RR/E-4-SS	e-ring	X0-00965000
24	FUSER-ASY-1		ASYS-STAY-GUIDE-FUS-SCRIP		6LJ58945000
25	FUSER-ASY-1	45729557	BUSH-GCB-6-4-NU4	bushing	6LH23444000
26	FUSER-ASY-1		GEAR-BELT-F		6LJ58701000
28	FUSER-ASY-1		BRKT-GEAR-BELT-H212		6LJ58631000
29	FUSER-ASY-1		S/PAN/SWWP-M3X6-ZU3-B		6LE43405000

This Illustrated Parts Manual is to be used for part identification. Part numbers for the most often used parts are listed. To obtain parts for items that do not list an associated part number contact **Oki Data Technical Support at 866.654.1725** for specific part numbers and part ordering information

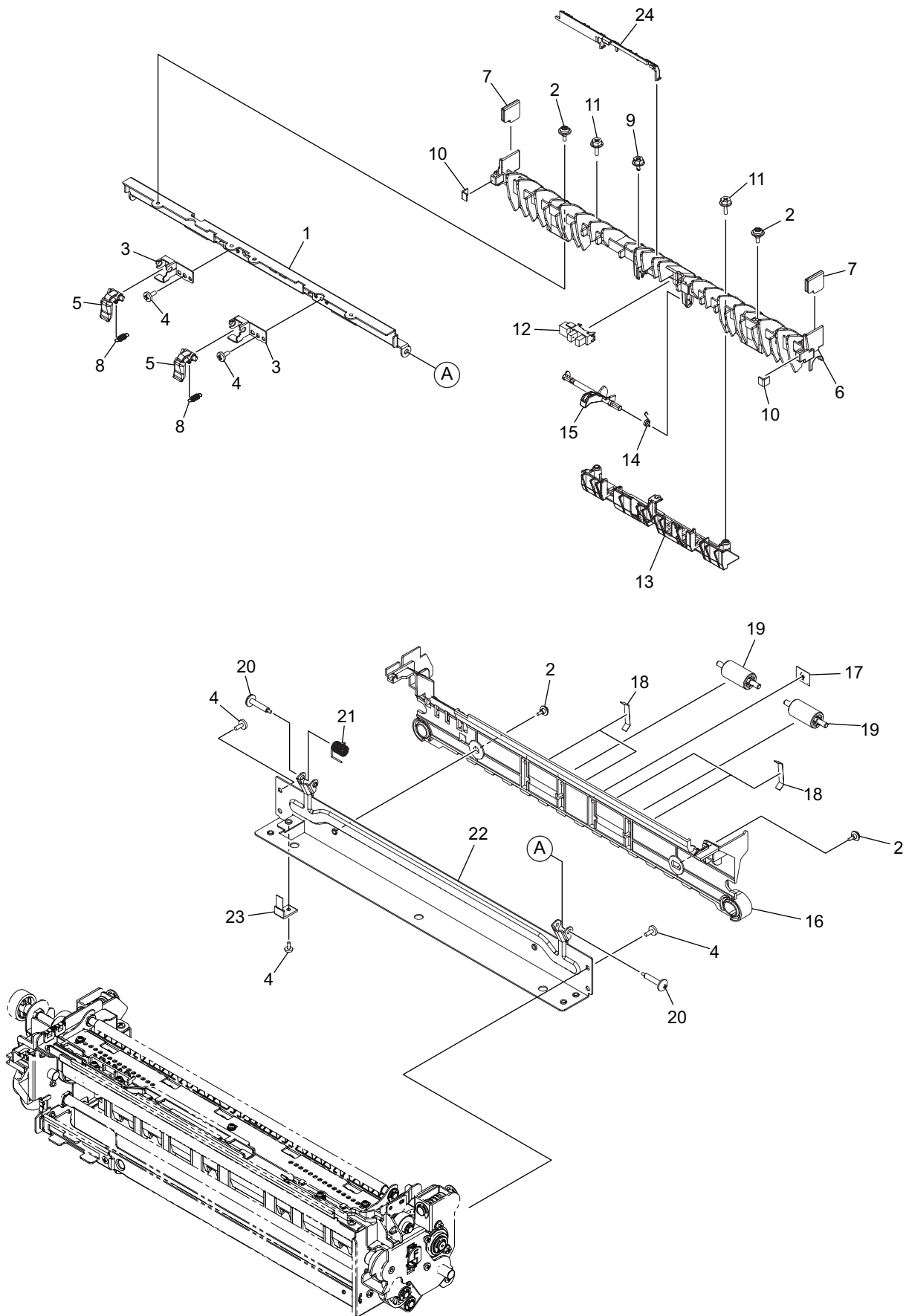
FUSER-ASY-2



No.	Unit Name	Part Number	Description	Remarks	Reference
1A	FUSER-ASY-2	45735725	BELT-HLDUNIT-H212	ES9465	6LJ58934000
1B	FUSER-ASY-2	45735726	BELT-HLDUNIT-H214	ES9475	6LJ70665000
13A	FUSER-ASY-2	45729508	BT-FU-H31XG	ES9465	6LJ71631000
13B	FUSER-ASY-2	45689719	BT-FU-H31X	ES9475	6LJ71611000
18	FUSER-ASY-2	45729553	6803ZZS1C4KZ		F0-01383000
19	FUSER-ASY-2		GEAR-BL-R		6LJ58855000
21	FUSER-ASY-2		BUSH-BELT-F		6LJ58691000
22	FUSER-ASY-2		BUSH-BELT-R		6LJ58692000
26	FUSER-ASY-2	45689722	PAD-BELT-R60-H214		6LJ58890000
28	FUSER-ASY-2		ES-0510-46		F0-01845000
29	FUSER-ASY-2		ASYS-BRKT-HLD-BLT-F		6LJ58956000
30	FUSER-ASY-2		ASYS-FRM-FUS-R		6LJ58615000
31	FUSER-ASY-2	45729550	6802ZZNRS1C4KZ		F0-01976000
32A	FUSER-ASY-2	45729561	BUSH-PR-H212	ES9465	6LJ58627000
32B	FUSER-ASY-2	45729560	BUSH-FUS-MR	ES9475	6LH07393000
33	FUSER-ASY-2	45729580	RR/E-7-SS		X0-00968000
34	FUSER-ASY-2	45689720	HR-L50-H31X		6LJ71612000
35	FUSER-ASY-2		GEAR-10H24-PR-M		6LJ58918000
36	FUSER-ASY-2	45729579	RR/E-5-SS		X0-00966000
37A	FUSER-ASY-2		ASYB-PUSHER-R	ES9465	6LJ58870000
37B	FUSER-ASY-2		ASYB-PUSHER-RH	ES9475	6LJ58870100
38A	FUSER-ASY-2		ASYB-PUSHER-F	ES9465	6LJ58869000
38B	FUSER-ASY-2		ASYB-PUSHER-FH	ES9475	6LJ58869100
39	FUSER-ASY-2		ACTR-PR-F-H212		6LJ58955000
40	FUSER-ASY-2	45729638	S/FHEXM-M3X6-NI		X0-02230000
41	FUSER-ASY-2	45729630	P/PRL/AH7-3X14-SS		X0-01169000
42	FUSER-ASY-2		GEAR-10S32-CAM-8		6LJ58888000
43	FUSER-ASY-2	45689726	BUSH-8X12X5R5F-BCF-050		6LJ55544000
44	FUSER-ASY-2		CAM-FUS-HH		6LJ58864000
45	FUSER-ASY-2	45729641	S/BID-M3X6-NI		X0-00430000
46	FUSER-ASY-2		FRAME-FUS-LOW		6LJ58877000
47	FUSER-ASY-2		GEAR-10H21-IDL-FUS-DRV		6LJ58810000
48	FUSER-ASY-2		GEAR-SNSR-ROTATION		6LJ58809000
49	FUSER-ASY-2	45729615	ES-0505-2-46		F0-01844000
50	FUSER-ASY-2		ASYS-FRM-FUS-F		6LJ58610000
51	FUSER-ASY-2		BRKT-HLD-BLT		6LJ58614000
52	FUSER-ASY-2		ASYB-SFT-CAM-FUS-H21Y		6LJ58846000
53	FUSER-ASY-2		BRKT-FUS-LOW		6LJ58818000
54	FUSER-ASY-2	45729562	UAMS-05L-0-46		F0-00270000
60	FUSER-ASY-2		GEAR-10H21-IDL-FUS-PR-M		6LJ58919000
61	FUSER-ASY-2	45689721	SHEET-PAD-BELT		6LJ58874000

This Illustrated Parts Manual is to be used for part identification. Part numbers for the most often used parts are listed. To obtain parts for items that do not list an associated part number contact **Oki Data Technical Support at 866.654.1725** for specific part numbers and part ordering information

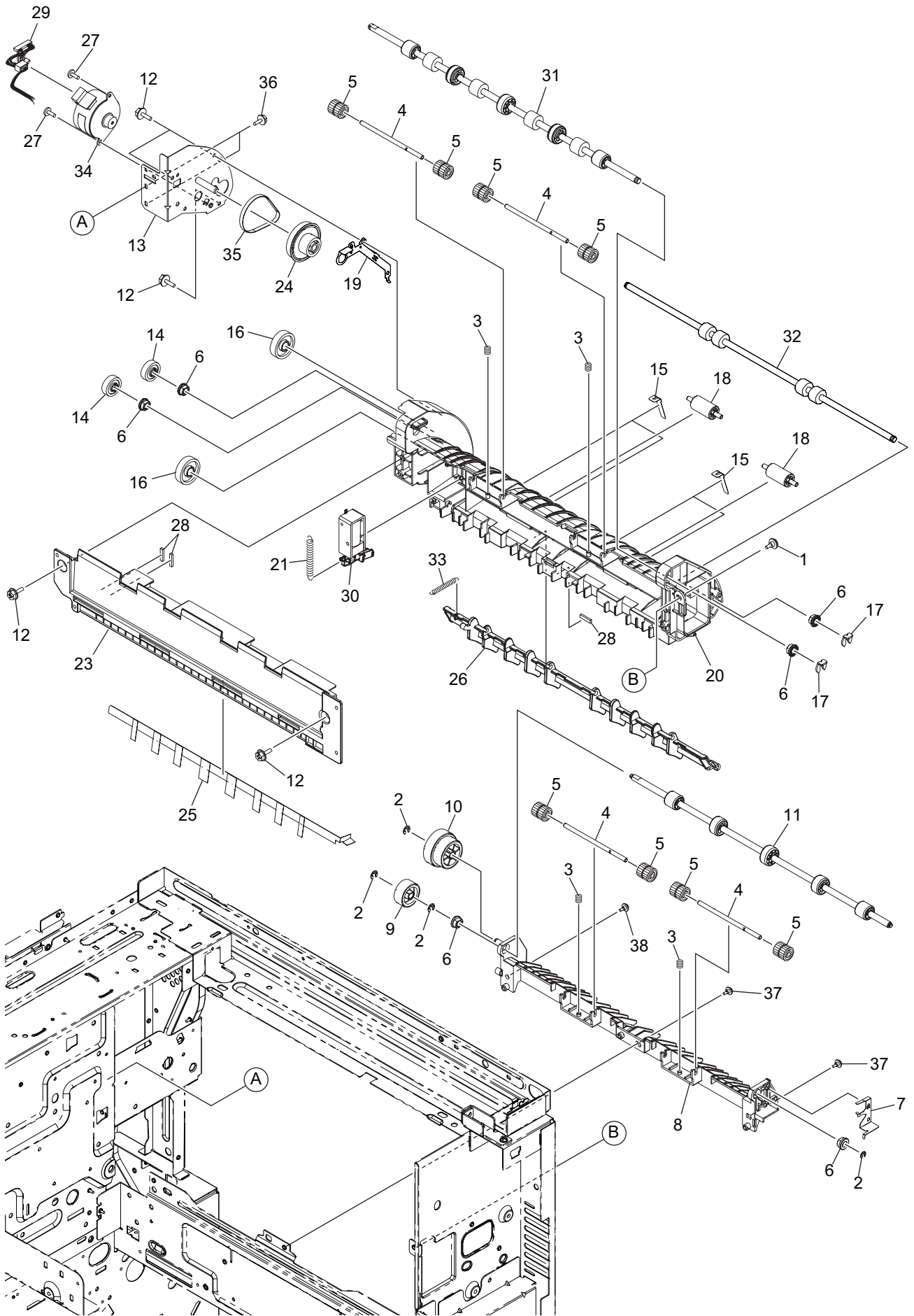
FUSER-ASY-3



No.	Unit Name	Part Number	Description	Remarks	Reference
1	FUSER-ASY-3		STAY-GUIDE-RTN-H212		6LJ58639000
2	FUSER-ASY-3		SCREW-M3-D4X2.3		6LH36359000
3	FUSER-ASY-3		BRKT-PR-SCR-FUS-H212		6LJ58640000
4	FUSER-ASY-3	45729641	S/BID-M3X6-NI		X0-00430000
5	FUSER-ASY-3	45689723	SCRAPER-HR-H210-S		6LJ58138000
6	FUSER-ASY-3		GUIDE-EXIT-RTN-H21Y		6LJ58851000
7	FUSER-ASY-3		SHEET-FUS-HANDLE-H21Y		6LJ58762000
8	FUSER-ASY-3		SPG-E-SCRPR-H21Y		6LJ58641000
9	FUSER-ASY-3	45729634	S/TPS/FHEXM/R-3X6-ZU3		X0-02419000
10	FUSER-ASY-3		SHEET-FUS-OPEN-H21Y		6LJ58783000
11	FUSER-ASY-3	45729589	S/TPP/FHEXM-3X8-NI		X0-02247000
12	FUSER-ASY-3	45729574	LG2A14BL1		C0-17839000
13	FUSER-ASY-3		COVER-SNSR-H212		6LJ58602000
14	FUSER-ASY-3		SPG-T-ACT-FUS-H212		6LJ58795000
15	FUSER-ASY-3		ACTR-EXIT-FUS-H212		6LJ58733000
16	FUSER-ASY-3		GUIDE-PR-ADU-H21Y		6LJ58633000
17	FUSER-ASY-3		LBL/W-FUSER		41307995000
18	FUSER-ASY-3	45729632	PLT-SP-IDLE-47X		6LH55245000
19	FUSER-ASY-3	45729581	ROLL-TRANS-IDLE		41316101000
20	FUSER-ASY-3		SCREW-D4-18-M3		4406326040
21	FUSER-ASY-3		SPG-T-GUIDE-EXIT-RTN-R-1		6LJ58794000
22	FUSER-ASY-3		FRAME-FUS-RGT-H212		6LJ58643000
23	FUSER-ASY-3		BRUSH-FUSER-H14X		6LJ02533000
24	FUSER-ASY-3		COV-WH-GUIDE-RTN-H212		6LJ58603000

This Illustrated Parts Manual is to be used for part identification. Part numbers for the most often used parts are listed. To obtain parts for items that do not list an associated part number contact **Oki Data Technical Support at 866.654.1725** for specific part numbers and part ordering information

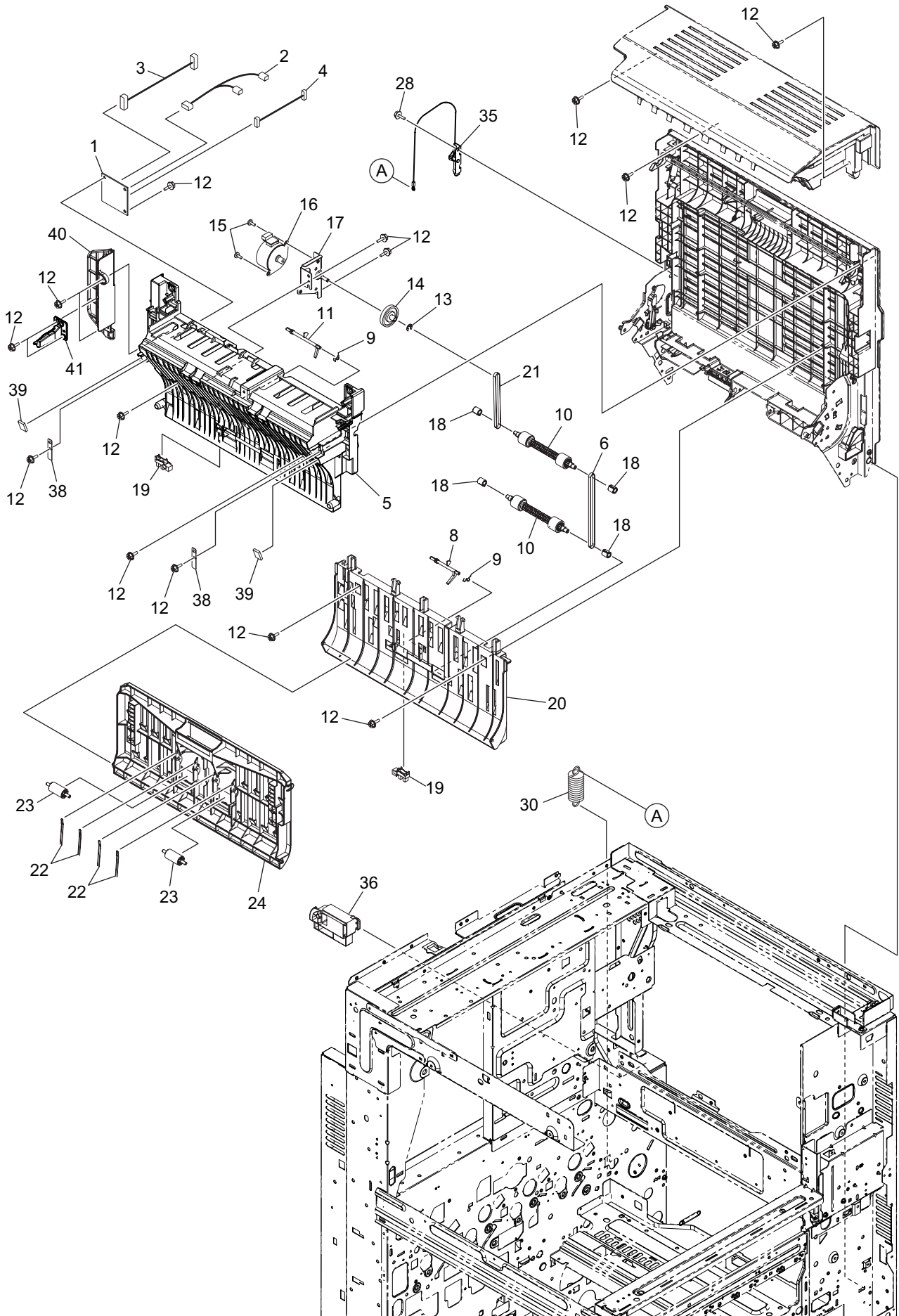
EXIT-ASY



No.	Unit Name	Part Number	Description	Remarks	Reference
1	EXIT-L-ASY		SCREW-BKT-DEV		6LA08937000
2	EXIT-L-ASY	45729578	RR/E-4-SS		X0-00965000
3	EXIT-L-ASY		SPG-C-ROLL-EXIT-H21Y		6LJ57614000
4	EXIT-L-ASY		SHAFT-ROL-EXIT-L		6LJ57801000
5	EXIT-L-ASY	45729633	RLR-EXIT-L-EX		6LJ02514000
6	EXIT-L-ASY	45729509	BUSH-6-BCF-050		6LJ55543000
7	EXIT-L-ASY		SPG-F-GND-EXIT-H21X		6LJ57808000
8	EXIT-L-ASY		ASYS-GUIDE-EXIT-H21Y		6LJ58740000
9	EXIT-L-ASY		GEAR-10S23-EXIT		6LJ58673000
10	EXIT-L-ASY		GEAR-10S28-10S34-6		6LJ58672000
11	EXIT-L-ASY		ASYB-ROLL-EXIT-LOW-H21Y		6LJ58915000
12	EXIT-L-ASY	45729589	S/TPP/FHEXM-3X8-NI		X0-02247000
13	EXIT-L-ASY		ASYS-BRKT-DRV-EXIT-U-H21Y		6LJ57601000
14	EXIT-L-ASY	45729570	GEAR-10S20-06		6LH54006000
15	EXIT-L-ASY		SPG-F-ROL-REV-H21Y		6LJ57610000
16	EXIT-L-ASY	45729619	GEAR-10S27-08		6LH54009000
17	EXIT-L-ASY	45729598	STOP-RING-6-1.5		44201801000
18	EXIT-L-ASY	45729581	ROLL-TRANS-IDLE		41316101000
19	EXIT-L-ASY		SPG-F-GND-EXIT-UPR-H21Y		6LJ57635000
20	EXIT-L-ASY		GUIDE-EXIT-UPR-H21Y		6LJ57639000
21	EXIT-L-ASY		SPG-E-ARM-GATE-H21Y		6LJ57612000
23	EXIT-L-ASY		COV-EXIT-UPR-H21Y		6LJ57616000
24	EXIT-L-ASY		GEAR-10S20_PS2M60-6-H21Y		6LJ57609000
25	EXIT-L-ASY		BRUSH-EXIT-L-H21Y		6LJ57617000
26	EXIT-L-ASY		GATE-ADU-H21Y		6LJ57607000
27	EXIT-L-ASY	45729645	S/TPS/BID-3X6-ZU3		X0-02069000
28	EXIT-L-ASY		DAMP-GATE-H21Y		6LJ57623000
29	EXIT-L-ASY		HRNS-EXTMOT-212		6LJ61030000
30	EXIT-L-ASY		ASYS-SOL-07B-H21Y		6LJ57626000
31	EXIT-L-ASY		ASYB-ROLL-EXIT-U-H21Y		6LJ57604000
32	EXIT-L-ASY		ROLL-TRANS-UPR-H21Y		6LJ57633000
33	EXIT-L-ASY		SPG-E-GATE-EXIT-H21Y		6LJ57613000
34	EXIT-L-ASY		MOTR_S-EXIT-L-H21X		6LJ57816000
35	EXIT-L-ASY		BLT_SY-S2M-144-4		6LJ57810000
36	EXIT-L-ASY	45729639	S/TPS/FHEXM/R-3X8-ZU3		X0-02420000
37	EXIT-L-ASY		ASYS-SCREW-LSU-NI		6LA36749000
38	EXIT-L-ASY	45729638	S/FHEXM-M3X6-NI		X0-02230000

This Illustrated Parts Manual is to be used for part identification. Part numbers for the most often used parts are listed. To obtain parts for items that do not list an associated part number contact **Oki Data Technical Support at 866.654.1725** for specific part numbers and part ordering information

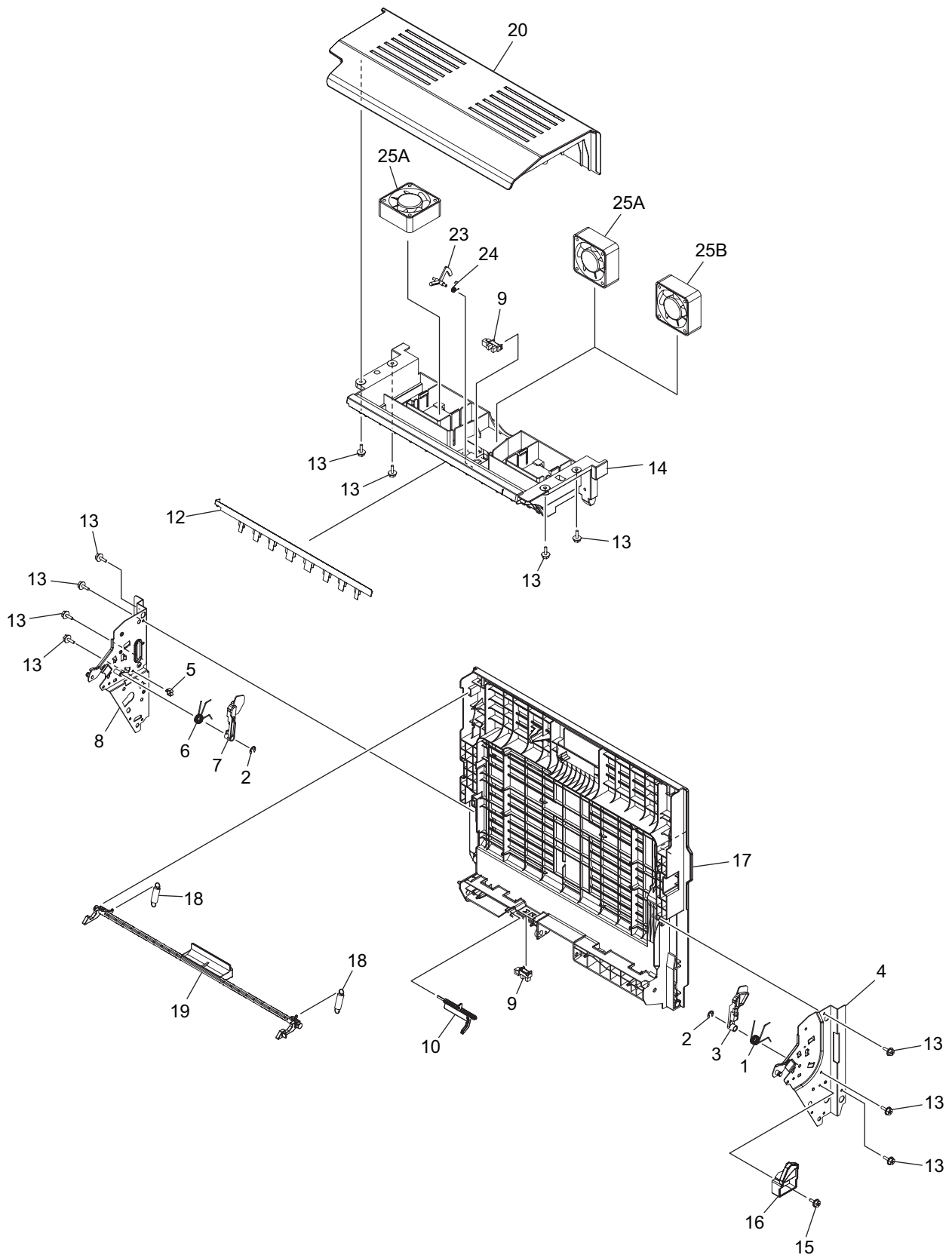
ADU-1-ASY



No.	Unit Name	Part Number	Description	Remarks	Reference
1	ADU-1-ASY	45735705	PWA-H-ADU-210		6LJ60489000
2	ADU-1-ASY		HRNS-ADU-SNR-212		6LJ61194000
3A	ADU-1-ASY		HRNS-ADU-212	ES9465	6LJ60889000
3B	ADU-1-ASY		HRNS-ADU-214	ES9475	6LJ61372000
4	ADU-1-ASY		HRNS-ADU-MOT-210		6LJ60235000
5	ADU-1-ASY		GUIDE-ADU-U-H21Y		6LJ57394000
6	ADU-1-ASY		BLT.SY-S2M-264-4		6LJ57314000
8	ADU-1-ASY		ACTR-ADU-L-H21X		6LJ57322000
9	ADU-1-ASY		SPG-ACT-ADU-H21X		6LJ57327000
10	ADU-1-ASY		ASYS-ROL-ADU-H21Y		6LJ57331100
11	ADU-1-ASY		ACTR-ADU-U-H21X		6LJ57323000
12	ADU-1-ASY	45729589	S/TPP/FHEXM-3X8-NI		X0-02247000
13	ADU-1-ASY	45729577	RR/E-3-SS		X0-00964000
14	ADU-1-ASY		GEAR-08S40_S2M012-7		6LJ57321000
15	ADU-1-ASY	45729645	S/TPS/BID-3X6-ZU3		X0-02069000
16	ADU-1-ASY		ASYS-MOTR-S-ADU-H21X		6LJ57330000
17	ADU-1-ASY		ASYS-BRKT-DRV-ADU-H21Y		6LJ57377000
18	ADU-1-ASY		BUSH-ADU-POMSW		6LJ57387100
19	ADU-1-ASY	45729574	LG2A14BL1		C0-17839000
20	ADU-1-ASY		GUIDE-ADU-L-H21X		6LJ57316000
21	ADU-1-ASY		BLT.SY-S2M-200-4		6LJ57399000
22	ADU-1-ASY		SPR-IDLE-ADU		6LJ57315000
23	ADU-1-ASY	45729581	ROLL-TRANS-IDLE		41316101000
24	ADU-1-ASY		GUIDE-OPEN-L		6LJ57318000
28	ADU-1-ASY	45729639	S/TPS/FHEXM/R-3X8-ZU3		X0-02420000
30	ADU-1-ASY		SPG-ADU-WIRE		6LJ57363000
35	ADU-1-ASY		ASYB-BRKT-HOLD-WIRE-H21Y		6LJ57382000
36	ADU-1-ASY		HOLDER-WIRE-ADU-H21Y		6LJ57371000
38	ADU-1-ASY		SPG-F-GUIDE-EXIT-H21Y		6LJ57379000
39	ADU-1-ASY		DAMP-SOL-GATE-H21Y		6LJ57615000
40	ADU-1-ASY		COVER-ADU-R-H21Y		6LJ57401000
41	ADU-1-ASY		SPACER-LOCK-R-H21Y		6LJ58946000

This Illustrated Parts Manual is to be used for part identification. Part numbers for the most often used parts are listed. To obtain parts for items that do not list an associated part number contact **Oki Data Technical Support at 866.654.1725** for specific part numbers and part ordering information

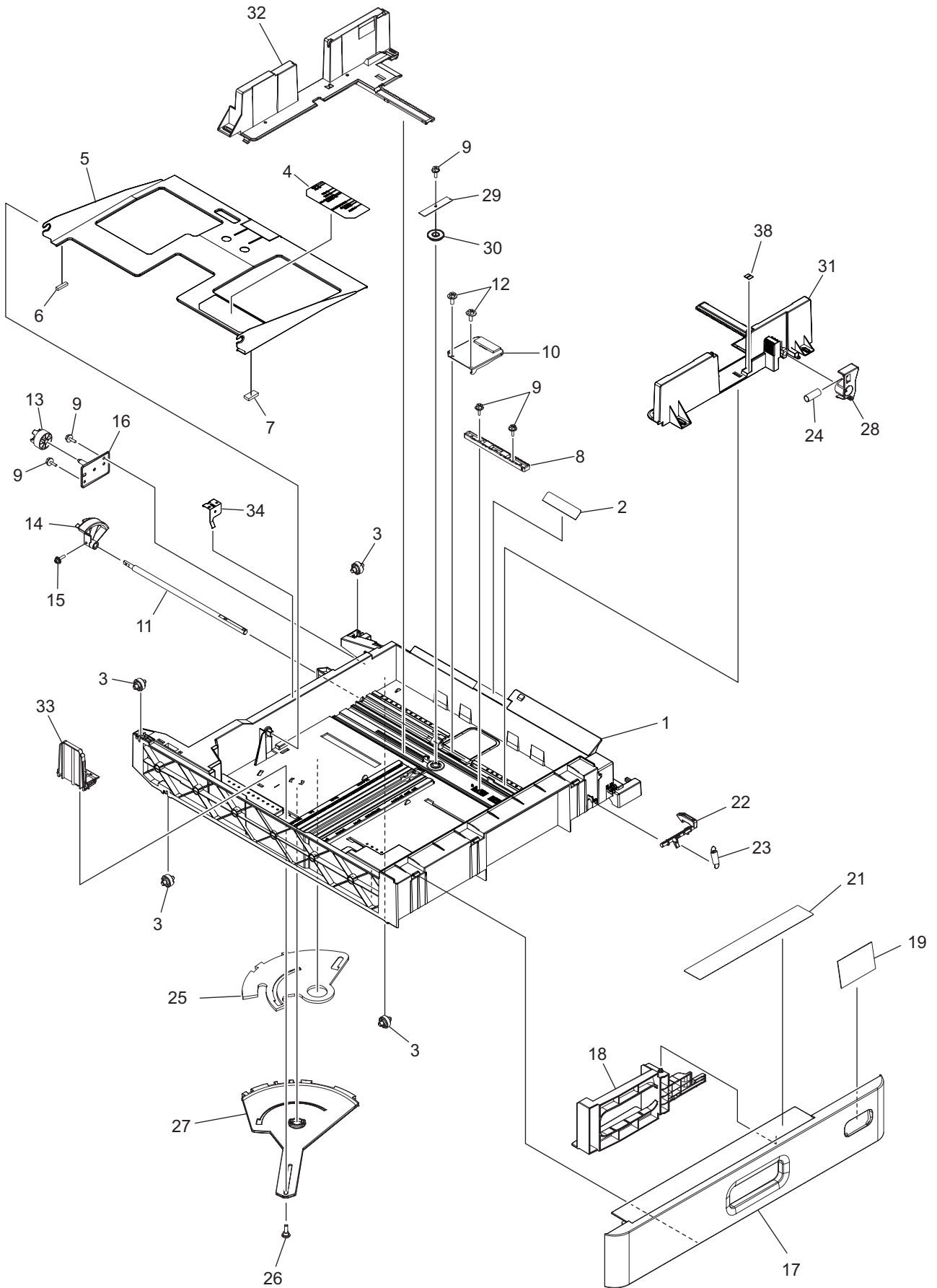
ADU-2-ASY



No.	Unit Name	Part Number	Description	Remarks	Reference
1	ADU-2-ASY		SPG-T-TRU-RTN-F-2		6LJ55948000
2	ADU-2-ASY	45729579	RR/E-5-SS		X0-00966000
3	ADU-2-ASY		PUSHER-TRU-OPEN-F		6LJ55928000
4	ADU-2-ASY		ASYS-FRM-ADU-F-H21X		6LJ57309000
5	ADU-2-ASY		UAMS-05-2		F0-00044000
6	ADU-2-ASY		SPG-T-TRU-RTN-R-2		6LJ55949000
7	ADU-2-ASY		PUSHER-TRU-OPEN-R		6LJ55929000
8	ADU-2-ASY		ASYS-FRM-ADU-R-H21X		6LJ57308000
9	ADU-2-ASY	45729574	LG2A14BL1		C0-17839000
10	ADU-2-ASY		ACTR-EMPTY-SFB-H21X		6LJ57135000
12	ADU-2-ASY		ASYS-BRUSH-EXIT-UPR-H21Y		6LJ57619000
13	ADU-2-ASY	45729589	S/TPP/FHEXM-3X8-NI		X0-02247000
14A	ADU-2-ASY		GUIDE-ADU-UPR-H21Y	ES9465	6LJ57392000
14B	ADU-2-ASY		ASYS-GUIDE-ADU-UPR-H21YH	ES9475	6LJ57389000
15	ADU-2-ASY	45729639	S/TPS/FHEXM/R-3X8-ZU3		X0-02420000
16	ADU-2-ASY		LOCK-CAM-TRU-F		6LJ55901000
17A	ADU-2-ASY		COVER-ADU-H21X-L	ES9465	6LJ57381000
17B	ADU-2-ASY		ASYS-COVER-ADU-H21YH	ES9475	6LJ57390000
18	ADU-2-ASY		SPG-C-COV-SIDE		6LH51228000
19	ADU-2-ASY		LEVER-ADU-H21X		6LJ57393000
20	ADU-2-ASY		COVER-ADU-TOP-H21Y		6LJ57376000
23	ADU-2-ASY	45729602	ACTR-EXIT-UPR-473		6LH54010000
24	ADU-2-ASY	45729649	SPG-T-ACT-EXIT-UPR-16X		6LJ12930000
25A	ADU-2-ASY		ASYS-DUCT-FAN-60-H140	ES9465	6LJ01024000
25B	ADU-2-ASY		ASYS-DUCT-FAN-60-H140	ES9475	6LJ01024000

This Illustrated Parts Manual is to be used for part identification. Part numbers for the most often used parts are listed. To obtain parts for items that do not list an associated part number contact **Oki Data Technical Support at 866.654.1725** for specific part numbers and part ordering information

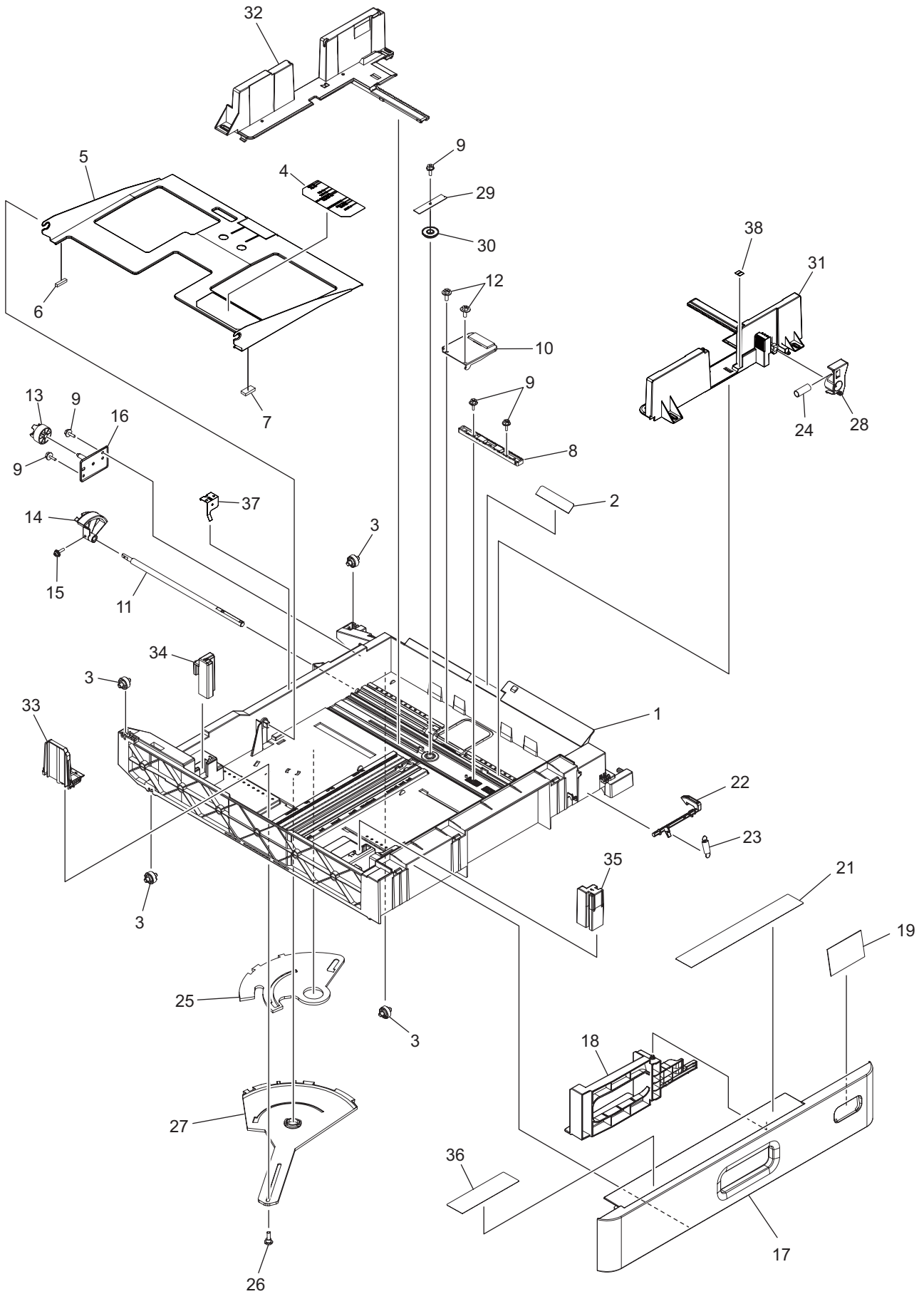
DRAWER-ASY-1



No.	Unit Name	Part Number	Description	Remarks	Reference
1	DRAWER-ASY		CST-H21X-U-A3		6LJ56937000
2	DRAWER-ASY		SHEET-CST-H21X		6LJ66823000
3	DRAWER-ASY		ROLL-CST-H21X		6LJ56845000
4	DRAWER-ASY		LBL_P-SIZE-LDA3-H21X-N		6LJ56955000
5	DRAWER-ASY		ASYS-TRAY-CST-H-H21X		6LJ56959000
6	DRAWER-ASY		CHSH-CST-F47X		6LH51643000
7	DRAWER-ASY		CUSH-CST-S		6LH05741000
8	DRAWER-ASY		WALL-STOP-H21X		6LJ56815000
9	DRAWER-ASY	45729589	S/TPP/FHEXM-3X8-NI		X0-02247000
10	DRAWER-ASY		ASYS-LEVER-ELV-CST-F43X		6LH05746000
11	DRAWER-ASY		SHAFT-ELV-CST-H21X		6LJ56910000
12	DRAWER-ASY	45729640	S/FHEXM-M4X8-NI		X0-02235000
13	DRAWER-ASY		CPG-TRAY-UP-H21X		6LJ56847000
14	DRAWER-ASY		GEAR-DRV-TRAYUP-SFT-H21X		6LJ56832000
15	DRAWER-ASY	45729643	S/PAN/SWWP-M3X10-NI		X0-00094000
16	DRAWER-ASY		ASYS-PLATE-DRV-CST-H21X		6LJ56851000
17	DRAWER-ASY		COVER-CST-H-H21X		6LJ56926000
18	DRAWER-ASY		HNDL-CST-H21X		6LJ56838000
19A	DRAWER-ASY		SIZE-CST-450-A4		6LH31900000
19B	DRAWER-ASY		SIZE-CST-450-LT	ODNA	6LH31900100
21	DRAWER-ASY		LBL_O-GUIDE-CST-MY1040-N		6LJ56952000
22	DRAWER-ASY	45729572	LVR-CST1-H-H21X_E_SHAFT		6LJ56924000
23	DRAWER-ASY		SPG-E-8R9XR9X29R5		6LJ56839000
24	DRAWER-ASY		SPC-LVR-WALL-F		6LA56695000
25	DRAWER-ASY		PUSHER-SIDE-CST-F43X		6LH05721000
26	DRAWER-ASY		SCREW-M3X8-3.2-P		6LH05511000
27	DRAWER-ASY		PUSHER-END-CST-H21X		6LJ56817000
28	DRAWER-ASY		LEVER-LOCK-WALL-H21X		6LJ56802000
29	DRAWER-ASY		PLT-WALL-GEAR-G		6LJ46917000
30	DRAWER-ASY	45729620	GEAR-10S18-8-TRAY		6LE53717000
31	DRAWER-ASY		SLIDE-WALL-F-H21X-H		6LJ56957000
32	DRAWER-ASY		ASYS-SLIDE-WALL-R-H21X-H		6LJ56872000
33	DRAWER-ASY		WALL-END-CST-H-H21X		6LJ56827000
34	DRAWER-ASY		SPG-F-TRAY-CST-H21Y		6LJ56943000
38	DRAWER-ASY		LBL_P-SIZE-REF-H21X		6LJ56953000

This Illustrated Parts Manual is to be used for part identification. Part numbers for the most often used parts are listed. To obtain parts for items that do not list an associated part number contact **Oki Data Technical Support at 866.654.1725** for specific part numbers and part ordering information

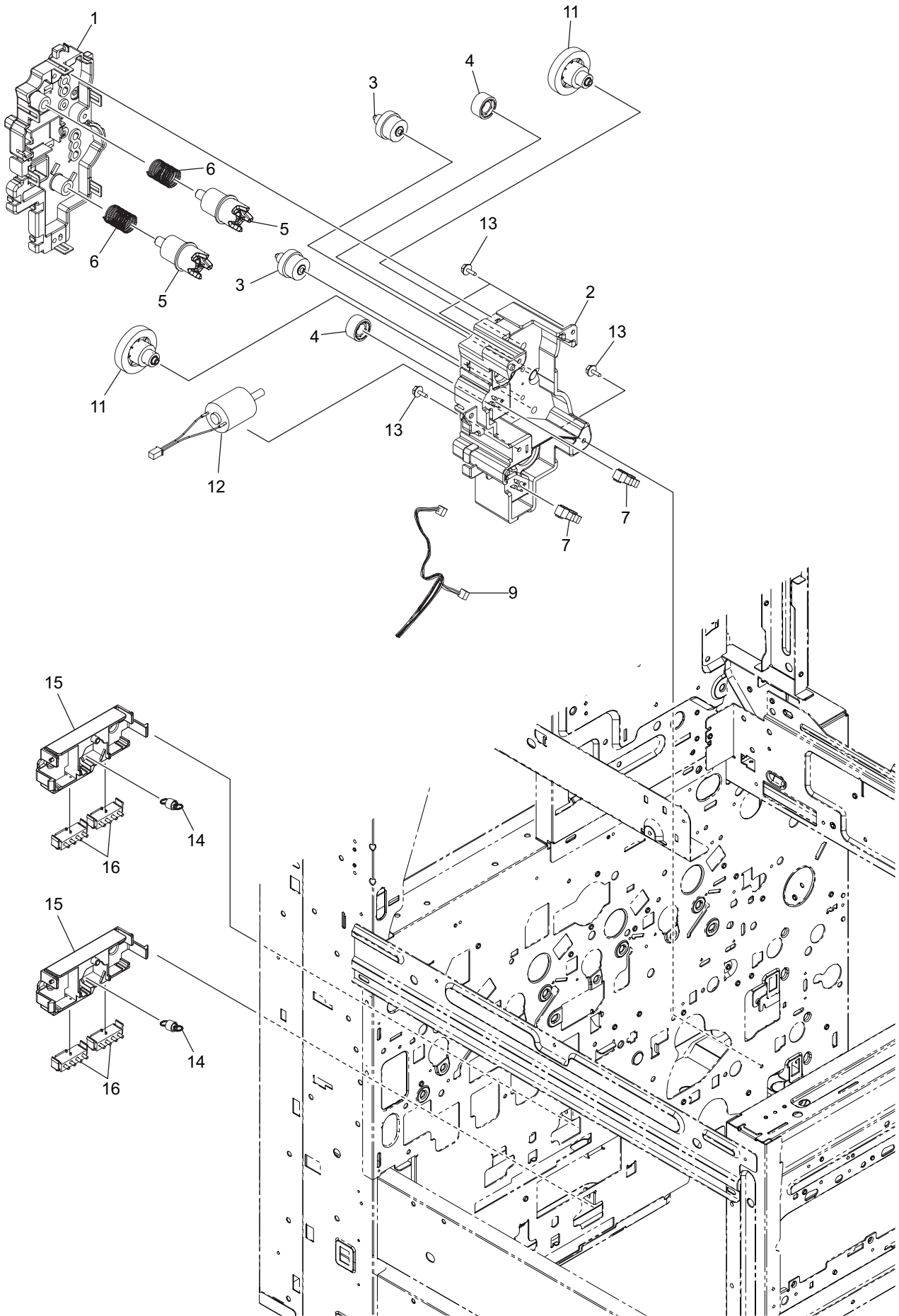
DRAWER-ASY-2



No.	Unit Name	Part Number	Description	Remarks	Reference
1	DRAWER-ASY-2		CST-H21X-SR		6LJ56938000
2	DRAWER-ASY-2		SHEET-CST-H21X		6LJ66823000
3	DRAWER-ASY-2		ROLL-CST-H21X		6LJ56845000
4	DRAWER-ASY-2		LBL_P-SIZE-SRA3-H21X-N		6LJ56954000
5	DRAWER-ASY-2		ASYS-TRAY-CST-H-H21X		6LJ56959000
6	DRAWER-ASY-2		CHSH-CST-F47X		6LH51643000
7	DRAWER-ASY-2		CUSH-CST-S		6LH05741000
8	DRAWER-ASY-2		WALL-STOP-H21X		6LJ56815000
9	DRAWER-ASY-2	45729589	S/TPP/FHEXM-3X8-NI		X0-02247000
10	DRAWER-ASY-2		ASYS-LEVER-ELV-CST-F43X		6LH05746000
11	DRAWER-ASY-2		SHAFT-ELV-CST-H21X		6LJ56910000
12	DRAWER-ASY-2	45729640	S/FHEXM-M4X8-NI		X0-02235000
13	DRAWER-ASY-2		CPG-TRAY-UP-H21X		6LJ56847000
14	DRAWER-ASY-2		GEAR-DRV-TRAYUP-SFT-H21X		6LJ56832000
15	DRAWER-ASY-2	45729643	S/PAN/SWWP-M3X10-NI		X0-00094000
16	DRAWER-ASY-2		ASYS-PLATE-DRV-CST-H21X		6LJ56851000
17	DRAWER-ASY-2		COVER-CST-H-H21X		6LJ56926000
18	DRAWER-ASY-2		HNDL-CST-H21X		6LJ56838000
19A	DRAWER-ASY-2		SIZE-CST-450-A4		6LH31900000
19B	DRAWER-ASY-2		SIZE-CST-450-LT	ODNA	6LH31900100
21	DRAWER-ASY-2		LBL_O-GUIDE-CST-MY1040-N		6LJ56952000
22	DRAWER-ASY-2	45729625	LVR-CST2-H-H21X_E_SHAFT		6LJ56925000
23	DRAWER-ASY-2		SPG-E-8R9XR9X29R5		6LJ56839000
24	DRAWER-ASY-2		SPC-LVR-WALL-F		6LA56695000
25	DRAWER-ASY-2		PUSHER-SIDE-CST-F43X		6LH05721000
26	DRAWER-ASY-2		SCREW-M3X8-3.2-P		6LH05511000
27	DRAWER-ASY-2		PUSHER-END-CST-F43X		6LJ08007000
28	DRAWER-ASY-2		LEVER-LOCK-WALL-H21X		6LJ56802000
29	DRAWER-ASY-2		PLT-WALL-GEAR-G		6LJ46917000
30	DRAWER-ASY-2	45729620	GEAR-10S18-8-TRAY		6LE53717000
31	DRAWER-ASY-2		SLIDE-WALL-F-H21X-H		6LJ56957000
32	DRAWER-ASY-2		ASYS-SLIDE-WALL-R-H21X-H		6LJ56872000
33	DRAWER-ASY-2		WALL-END-CST-H-H21X		6LJ56827000
34	DRAWER-ASY-2		WALL-LONGPAPER-R-H-H21X		6LJ56834000
35	DRAWER-ASY-2		WALL-LONGPAPER-F-H-H21X		6LJ56833000
36	DRAWER-ASY-2		LBL_O-GUIDE-SRA3		6LJ56883000
37	DRAWER-ASY-2		SPG-F-TRAY-CST-H21Y		6LJ56943000
38	DRAWER-ASY-2		LBL_P-SIZE-REF-H21X		6LJ56953000

This Illustrated Parts Manual is to be used for part identification. Part numbers for the most often used parts are listed. To obtain parts for items that do not list an associated part number contact **Oki Data Technical Support at 866.654.1725** for specific part numbers and part ordering information

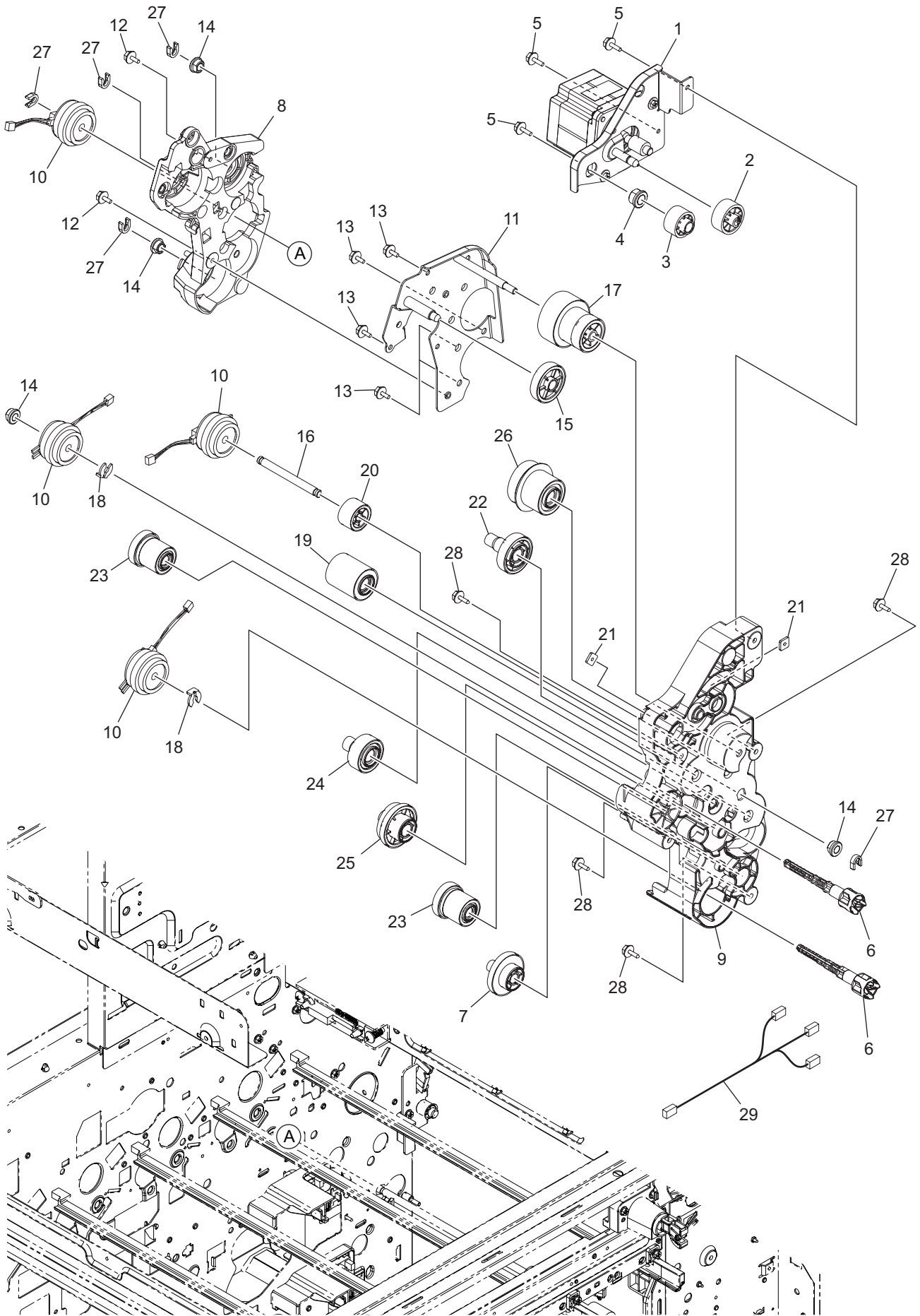
TRAYUP-MOT-ASY



No.	Unit Name	Part Number	Description	Remarks	Reference
1	TRAYUP-MOT-ASY		CASE-TRAYUP-GEAR-R-H21Y		6LJ56918000
2	TRAYUP-MOT-ASY		CASE-TRAYUP-GEAR-F-H21Y		6LJ56917000
3	TRAYUP-MOT-ASY	45729571	G05H-45-G05S-15		44201854000
4	TRAYUP-MOT-ASY	45729569	GEAR-8S25-10		6LH05707000
5	TRAYUP-MOT-ASY		GEAR-8S26-H21X		6LJ56846000
6	TRAYUP-MOT-ASY	45729651	SPC172-100-3400		4401966050
7	TRAYUP-MOT-ASY	45729574	LG2A14BL1		C0-17839000
9	TRAYUP-MOT-ASY		HRNS-DRV-NEMPSN-212		6LJ61010000
11	TRAYUP-MOT-ASY	45729568	G06S-13-G05S-80		44201853000
12	TRAYUP-MOT-ASY		MOTR.D-TRAY-CST-S		6LJ56929000
13	TRAYUP-MOT-ASY	45729639	S/TPS/FHEXM/R-3X8-ZU3		X0-02420000
14	TRAYUP-MOT-ASY		SPG-E-8R8XR9X19R9		6LJ56887000
15	TRAYUP-MOT-ASY		HOLDER-SNSR-CST-H21X		6LJ56818000
16	TRAYUP-MOT-ASY		PS-42C02-F NS		E0-14485000

This Illustrated Parts Manual is to be used for part identification. Part numbers for the most often used parts are listed. To obtain parts for items that do not list an associated part number contact **Oki Data Technical Support at 866.654.1725** for specific part numbers and part ordering information

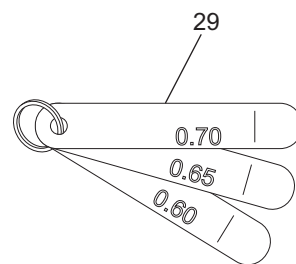
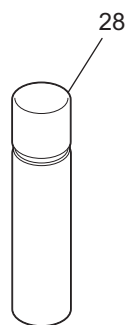
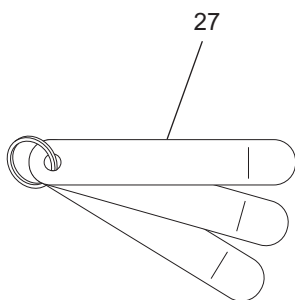
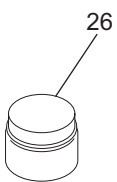
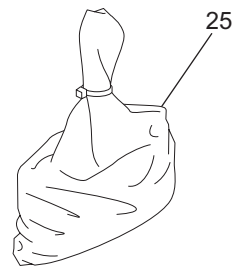
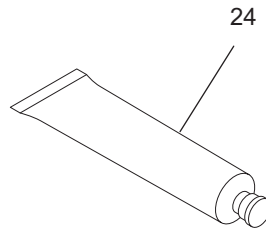
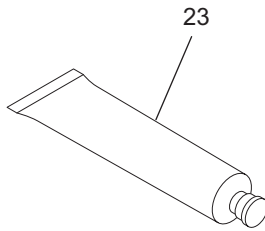
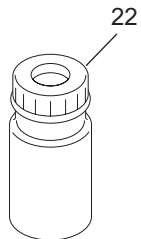
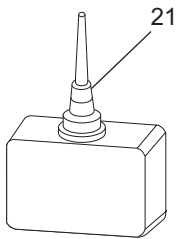
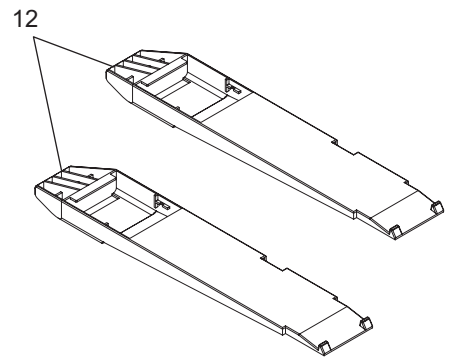
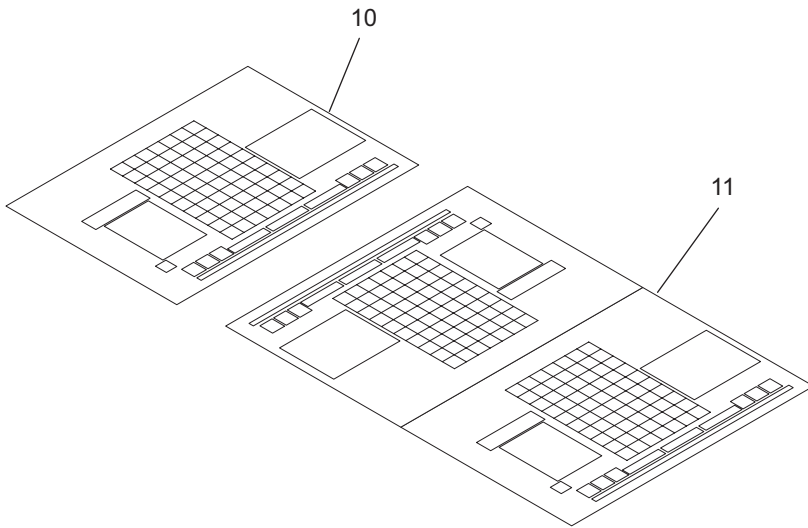
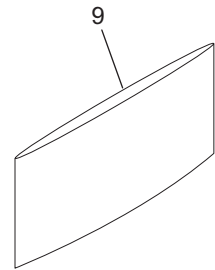
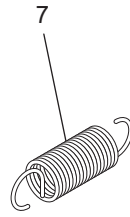
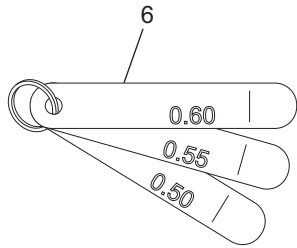
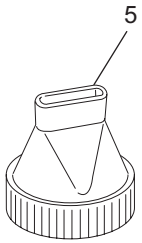
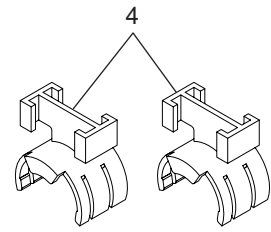
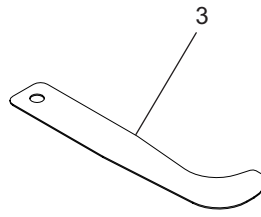
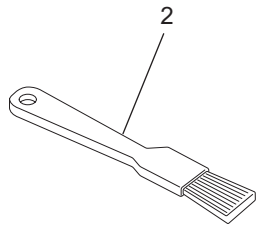
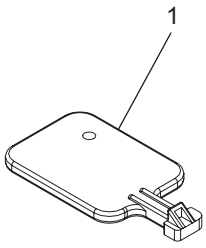
FEEDER-DRIVE-ASY



No.	Unit Name	Part Number	Description	Remarks	Reference
1	FEEDER-DRIVE-ASY		ASYS-DRV-RGST-H21Y		6LJ56346000
2	FEEDER-DRIVE-ASY		GEAR-8S31-6		6LJ56314000
3	FEEDER-DRIVE-ASY		GEAR-8S27-8		6LJ56315000
4	FEEDER-DRIVE-ASY	45729610	BUSH-8		4400802080
5	FEEDER-DRIVE-ASY		S/FHEXM-M3X8-NI		X0-02231000
6	FEEDER-DRIVE-ASY		COUPL-CST-H21Y		6LJ56332000
7	FEEDER-DRIVE-ASY		GEAR-8H39		6LJ56328000
8	FEEDER-DRIVE-ASY		HLDR-CL-FED-H21Y		6LJ56333000
9	FEEDER-DRIVE-ASY		CASE-DRV-FEED-H21Y		6LJ56317000
10	FEEDER-DRIVE-ASY	45729566	CLUTCH-50R-G28-6		6LH53742000
11	FEEDER-DRIVE-ASY		ASYS-FRM-DRV-FED-H21Y		6LJ56318000
12	FEEDER-DRIVE-ASY	45729638	S/FHEXM-M3X6-NI		X0-02230000
13	FEEDER-DRIVE-ASY	45729587	S/TPP/FHEXM-3X6-NI		X0-02246000
14	FEEDER-DRIVE-ASY	45729559	BUSH-6-POM		44201492000
15	FEEDER-DRIVE-ASY		GEAR-8H35-8		6LJ56326000
16	FEEDER-DRIVE-ASY		SHAFT-DRV-CL-FED-H21Y		6LJ56334000
17	FEEDER-DRIVE-ASY		GEAR-10S26_8H45-6		6LJ56322000
18	FEEDER-DRIVE-ASY	45729598	STOP-RING-6-1.5		44201801000
19	FEEDER-DRIVE-ASY		GEAR-8H29		6LJ56316000
20	FEEDER-DRIVE-ASY		GEAR-8S26-6		6LJ56330000
21	FEEDER-DRIVE-ASY	45729631	PLT-NUT		6LH55260000
22	FEEDER-DRIVE-ASY		GEAR-8S37		6LJ56329000
23	FEEDER-DRIVE-ASY		GEAR-10S26_8H25		6LJ56325000
24	FEEDER-DRIVE-ASY		GEAR-8H31		6LJ56327000
25	FEEDER-DRIVE-ASY		GEAR-10S29_8H40		6LJ56324000
26	FEEDER-DRIVE-ASY		GEAR-10S33_8H33		6LJ56323000
27	FEEDER-DRIVE-ASY	45729597	STOP-RING-6-5		4407972860
28	FEEDER-DRIVE-ASY	45729639	S/TPS/FHEXM/R-3X8-ZU3		X0-02420000
29	FEEDER-DRIVE-ASY		HRNS-DRV-CLT-212		6LJ60974000

This Illustrated Parts Manual is to be used for part identification. Part numbers for the most often used parts are listed. To obtain parts for items that do not list an associated part number contact **Oki Data Technical Support at 866.654.1725** for specific part numbers and part ordering information

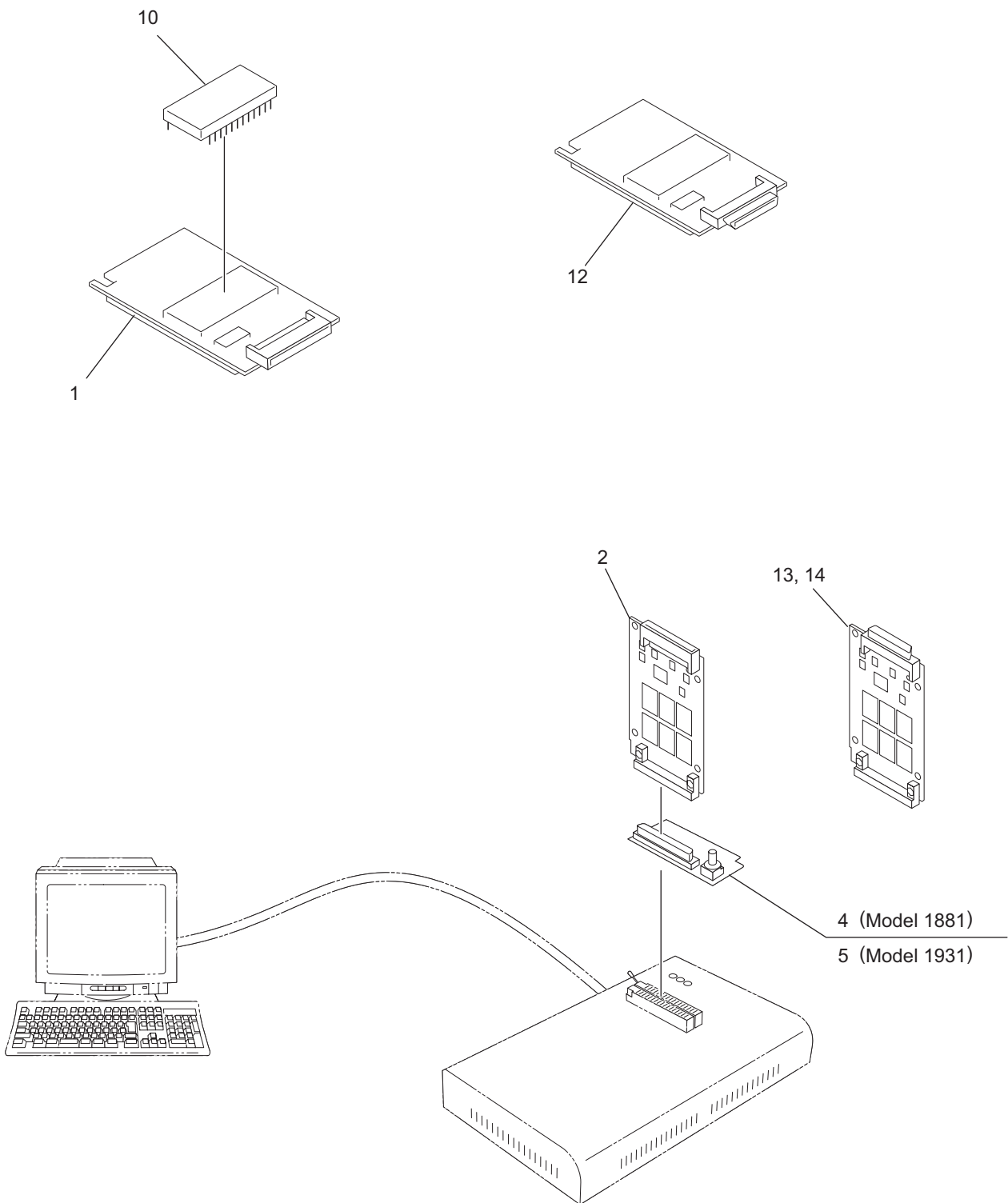
JIGS & GREASE



No.	Unit Name	Part Number	Description	Remarks	Reference
1	JIGS & GREASE	45729697	JIG-SW-FCOV-H21X		6LJ71619000
2	JIGS & GREASE	45729666	BRUSH-33		4407915710
3	JIGS & GREASE	45729682	JIG-CLNR-DOCTOR		6LH02876000
4	JIGS & GREASE	45729696	HOLDER-WIRE-PLY-H21X		6LJ59898000
5	JIGS & GREASE		NOZZLE-BOTTLE		4407914000
6	JIGS & GREASE	45729677	ASY-JIG-DOC-350		6LA48402000
7	JIGS & GREASE	45729672	SPE-MOT-TNS		44202661000
9	JIGS & GREASE	45729668	BAG-DRUM		4408600920
10	JIGS & GREASE	45729680	CHART-COLOR-A4		6LE50524000
11	JIGS & GREASE	45729686	CHART-COLOR-A3		6LH17283000
12	JIGS & GREASE	45729693	JIG-GUIDE-HRNS-COVER		6LJ54689000
21	JIGS & GREASE	45729669	OIL-LAUNA40-100		4842512170
22	JIGS & GREASE	45729674	GREASE-HP300-S		6LA00019000
23	JIGS & GREASE	45729671	ASM-PG-ALV2		41303711000
24	JIGS & GREASE	45729679	MOLYKOTE_EM-30L_100G		6LE36904000
25	JIGS & GREASE	45729692	P-POWDER-PPT001		6LJ18300000
26	JIGS & GREASE	45729670	ASM-PG-GE334C-S		41303710000
27	JIGS & GREASE	45729695	ASYB-JIG-GAP-SCRP		6LJ58791000
28	JIGS & GREASE	45729667	K-BTL-SILICON-S		4408327820
29	JIGS & GREASE	45729678	ASYB-JIG-GAP-DOC-SL-380		6LE23720000

This Illustrated Parts Manual is to be used for part identification. Part numbers for the most often used parts are listed. To obtain parts for items that do not list an associated part number contact **Oki Data Technical Support at 866.654.1725** for specific part numbers and part ordering information

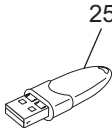
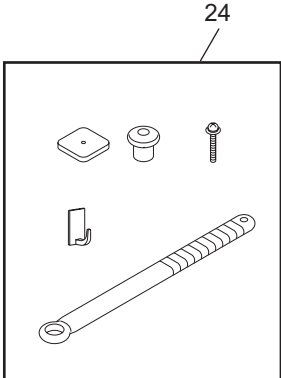
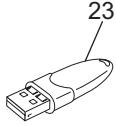
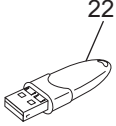
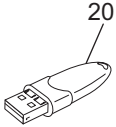
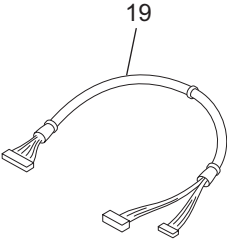
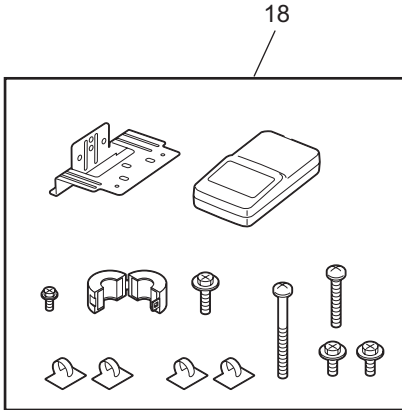
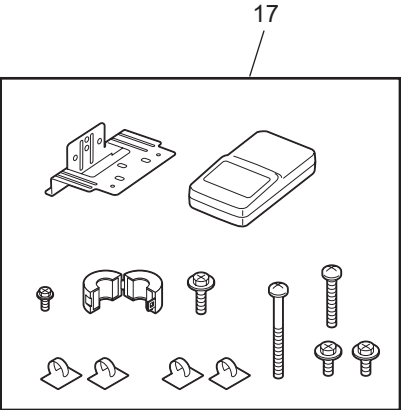
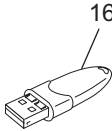
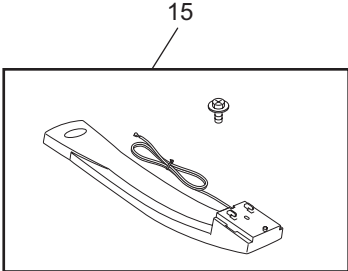
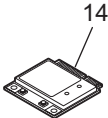
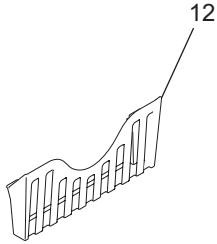
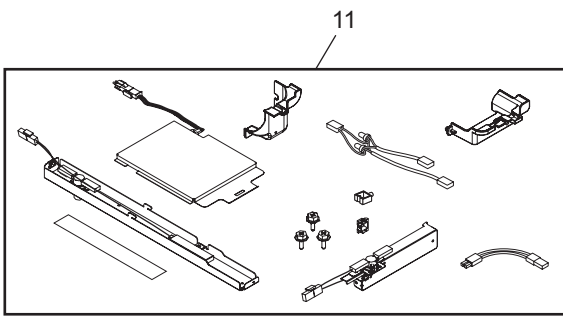
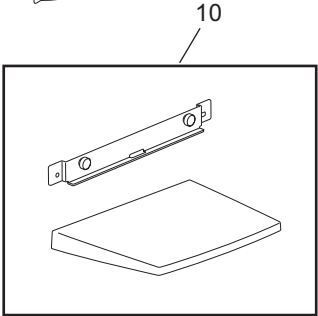
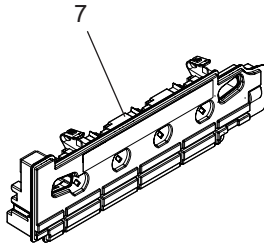
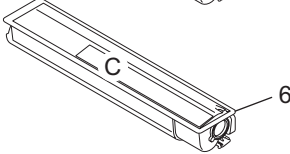
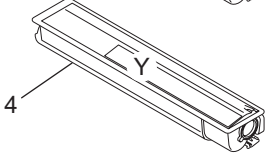
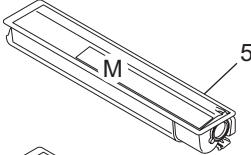
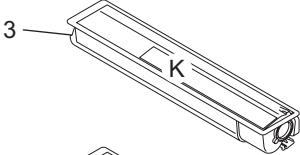
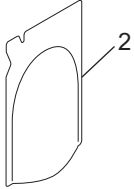
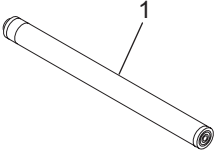
DOWNLOAD-JIGS



No.	Unit Name	Part Number	Description	Remarks	Reference
1	DOWNLOAD JIGS	45729691	K-PWA-DLM-320F		6LH70381000
2	DOWNLOAD JIGS	45729683	PWA-DWNLD-JIG2F		6LH09938000
4	DOWNLOAD JIGS	45729675	PWA-DL-ADP-350-1881		6LA41996000
5	DOWNLOAD JIGS	45729676	PWA-DL-ADP-350-1931		6LA41997000
10	DOWNLOAD JIGS	45729698	M27C4001-10F1		C0-04530000
12	DOWNLOAD JIGS	45729673	K-PWA-DLM-320		44205829000
13	DOWNLOAD JIGS	45729689	PWA-DWNLD-JIG1		6LH18822000
14	DOWNLOAD JIGS	45729690	PWA-DWNLD-JIG2		6LH18823000

This Illustrated Parts Manual is to be used for part identification. Part numbers for the most often used parts are listed. To obtain parts for items that do not list an associated part number contact **Oki Data Technical Support at 866.654.1725** for specific part numbers and part ordering information

SUPPLIES

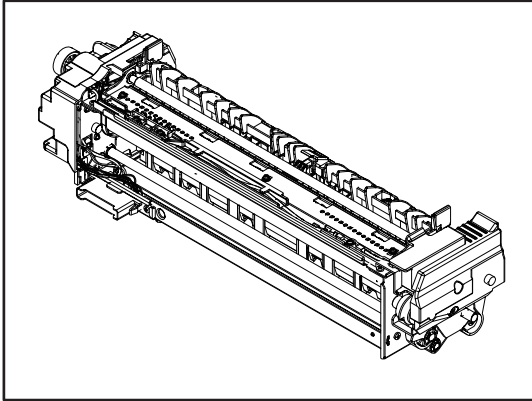


No.	Unit Name	Part Number	Description	Remarks	Reference
1	SUPPLIES	45729506	OD-FC50-OKI	DRUM	6LJ70776000
2A	SUPPLIES	45729501	D-FC30-OKI-K	DEVELOPER (K)	6LJ70787300
2B	SUPPLIES	45729502	D-FC30-OKI-Y	DEVELOPER (Y)	6LJ70787000
2C	SUPPLIES	45729503	D-FC30-OKI-M	DEVELOPER (M)	6LJ70787100
2D	SUPPLIES	45729504	D-FC30-OKI-C	DEVELOPER (C)	6LJ70787200
3A	SUPPLIES		PS-ZTFC50UK-OKI	TONER (K),ODNA	6AG00005573
3B	SUPPLIES		PS-ZTFC50EK-OKI		6AG00005581
3C	SUPPLIES		PS-ZTFC50DK-OKI		6AG00005638
4A	SUPPLIES		PS-ZTFC50UY-OKI	TONER (Y),ODNA	6AG00005570
4B	SUPPLIES		PS-ZTFC50EY-OKI		6AG00005578
4C	SUPPLIES		PS-ZTFC50DY-OKI		6AG00005626
5A	SUPPLIES		PS-ZTFC50UM-OKI	TONER(M),ODNA	6AG00005571
5B	SUPPLIES		PS-ZTFC50EM-OKI		6AG00005579
5C	SUPPLIES		PS-ZTFC50DM-OKI		6AG00005634
6A	SUPPLIES		PS-ZTFC50UC-OKI	TONER (C),ODNA	6AG00005572
6B	SUPPLIES		PS-ZTFC50EC-OKI		6AG00005580
6C	SUPPLIES		PS-ZTFC50DC-OKI		6AG00005637
7	SUPPLIES		PS-TBFC50-OKI	WASTE TONER BOX	6AG00005586
10	SUPPLIES		KK-4550	Work Tray	6AR00000755
11A	SUPPLIES		MF-2050CUA	Damp Heater, ODNA	6AG00005411
11B	SUPPLIES		MF-2050CEA	Damp Heater,	6AG00005410
12	SUPPLIES		KK-1660	Manual Pocket	6AG00001893
14	SUPPLIES		GN-1060	Wireless LAN Module	6A000001221
15	SUPPLIES		GN-3010	Antenna	6A000000459
16	SUPPLIES		GP-1070	Data Overwrite enabler	6A000001051
17	SUPPLIES		KP-2004	e-BRIDGE ID Gate	6A000000878
18A	SUPPLIES		KP-2005	e-BRIDGE ID Gate	6A000000925
19	SUPPLIES		GQ-1260	Harness kit for coin controller (New)	6A000001357
20	SUPPLIES		GS-1010	Meta scan enabler	6A000001055
21	SUPPLIES		GS-1020	External interface enabler	6A000001057
22	SUPPLIES		GP-1080	IPSec enabler	6A000001053
23	SUPPLIES		GS-1007	Unicode Font Enabler	6A000001309
24	SUPPLIES		KK-2550	Accessible Arm	6A000001164
25	SUPPLIES		GP-1191	Hardcopy Security Printing (New)	6A000001353

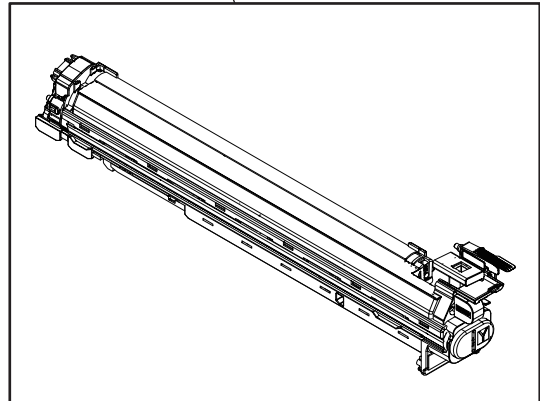
This Illustrated Parts Manual is to be used for part identification. Part numbers for the most often used parts are listed. To obtain parts for items that do not list an associated part number contact **Oki Data Technical Support at 866.654.1725** for specific part numbers and part ordering information

REPLACE UNIT

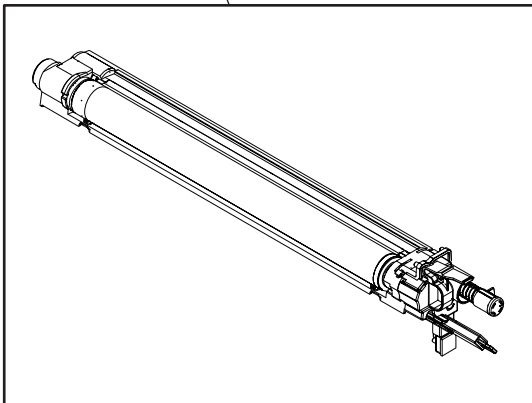
1



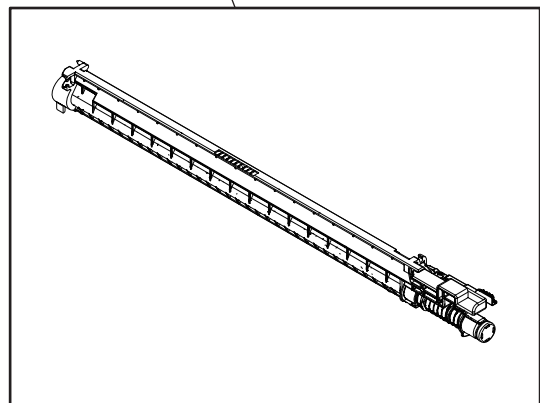
2



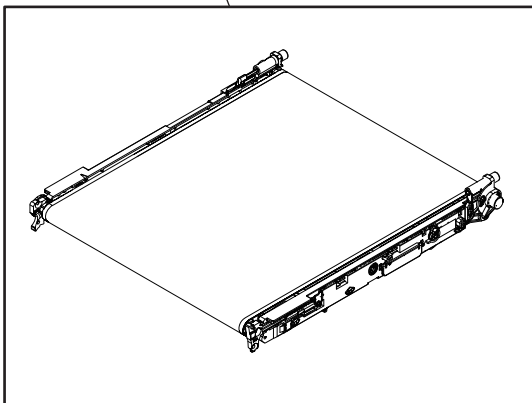
3



4



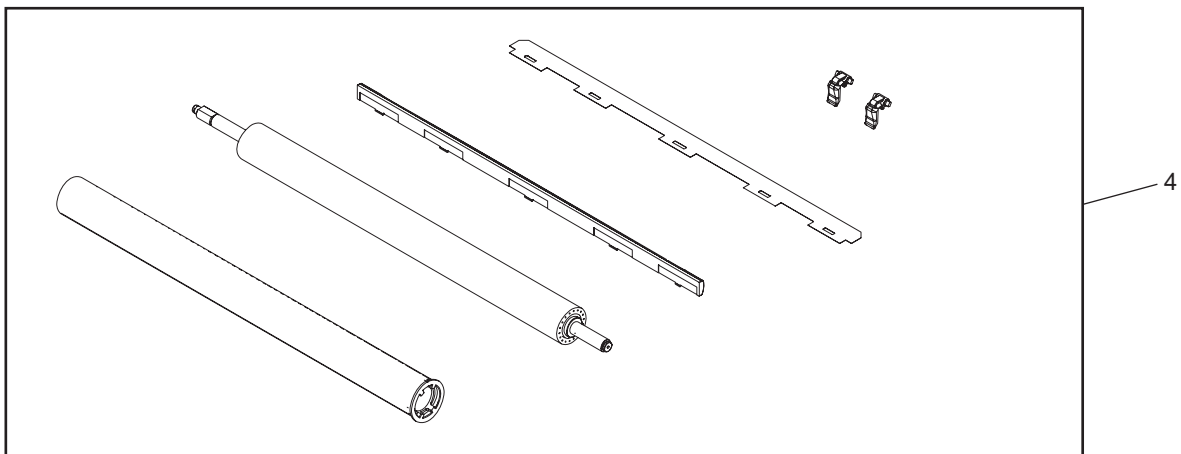
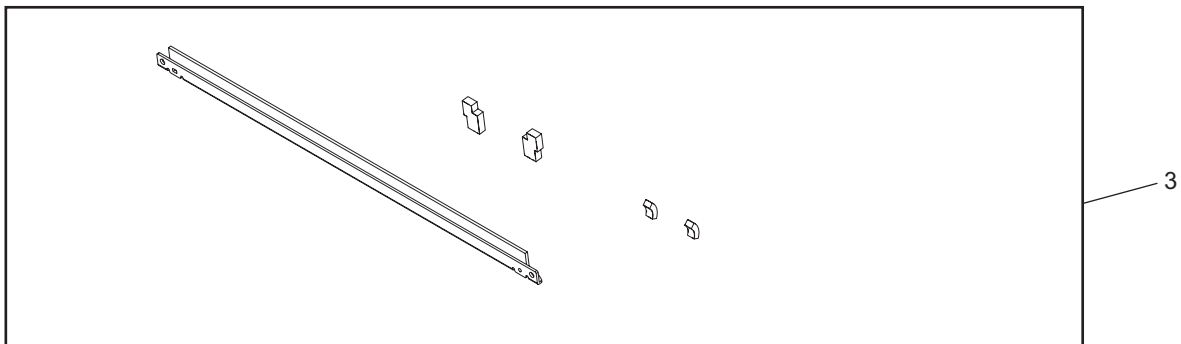
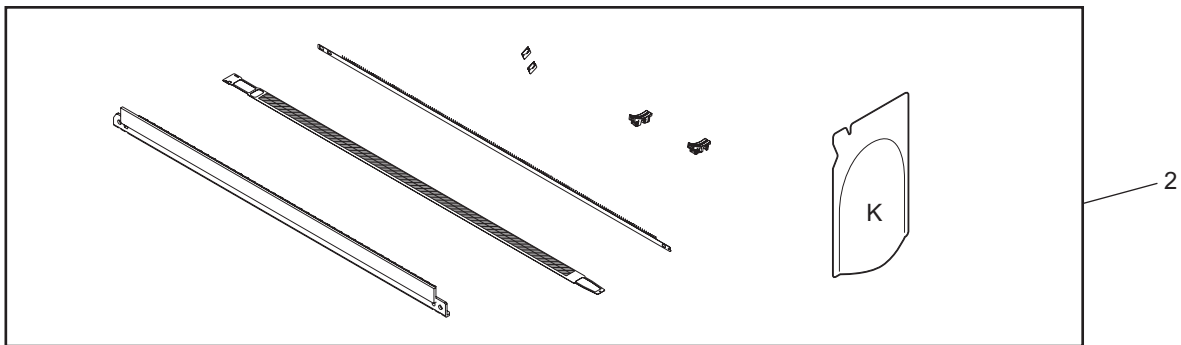
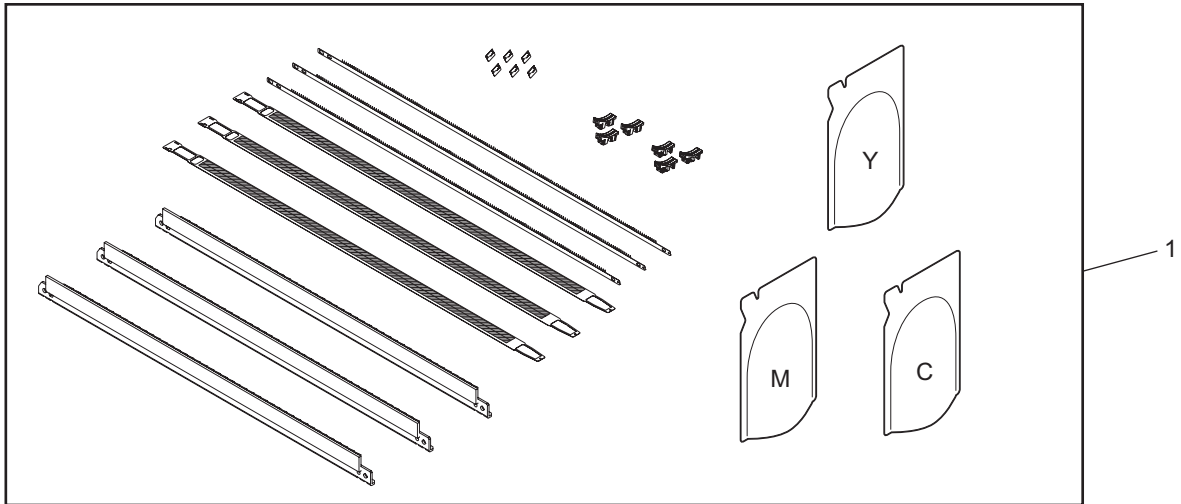
5



No.	Unit Name	Part Number	Description	Remarks	Reference
1A	REPLACE UNIT	45735722	FUSER-H214	ES9475	6LJ58958000
1B	REPLACE UNIT	45729527	FUSER-H212	ES9465	6LJ70675200
2A	REPLACE UNIT	45729519	DEV-UNIT-H210-H2K	ES9475 (Black)	6LJ54251400
2B	REPLACE UNIT	45729520	DEV-UNIT-H210-H2C	ES9475 (Cyan)	6LJ54251500
2C	REPLACE UNIT	45729521	DEV-UNIT-H210-H2M	ES9475 (Magenta)	6LJ54251600
2D	REPLACE UNIT	45729522	DEV-UNIT-H210-H2Y	ES9475 (Yellow)	6LJ54251700
2E	REPLACE UNIT	45729523	DEV-UNIT-H210-H1K	ES9465 (Black)	6LJ54251800
2F	REPLACE UNIT	45729524	DEV-UNIT-H210-H1C	ES9465 (Cyan)	6LJ54251900
2G	REPLACE UNIT	45729525	DEV-UNIT-H210-H1M	ES9465 (Magenta)	6LJ54251A00
2H	REPLACE UNIT	45729526	DEV-UNIT-H210-H1Y	ES9465 (Yellow)	6LJ54251B00
3A	REPLACE UNIT		CLNR-DRUM-H210-HK	Black	6LJ70686000
3B	REPLACE UNIT		CLNR-DRUM-H210-HC	Cyan	6LJ70686100
3C	REPLACE UNIT		CLNR-DRUM-H210-HM	Magenta	6LJ70686200
3D	REPLACE UNIT		CLNR-DRUM-H210-HY	Yellow	6LJ70686300
4	REPLACE UNIT	45729528	TR-BLT_CLN-H210		6LJ70377000
5	REPLACE UNIT		TR-BLT-FC50		6LJ70578000

This Illustrated Parts Manual is to be used for part identification. Part numbers for the most often used parts are listed. To obtain parts for items that do not list an associated part number contact **Oki Data Technical Support at 866.654.1725** for specific part numbers and part ordering information

PM-KIT



No.	Unit Name	Part Number	Description	Remarks	Reference
1	PM-KIT	45689733	DEV-KIT-FC50CLR-G		6LJ70582100
2	PM-KIT	45689732	DEV-KIT-FC50K-G		6LJ70583100
3	PM-KIT	45689734	TBU-KIT-FC50-G		6LJ70575100
4A	PM-KIT	45689735	FR-KIT-FC50HG		6LJ70667100
4B	PM-KIT	45729514	FR-KIT-FC50G		6LJ58933100

This Illustrated Parts Manual is to be used for part identification. Part numbers for the most often used parts are listed. To obtain parts for items that do not list an associated part number contact **Oki Data Technical Support at 866.654.1725** for specific part numbers and part ordering information