

ES3640MFP

Spare Parts

Illustration Manual

10107E

Copyright Information

Copyright © 2007 by Oki Data. All Rights Reserved

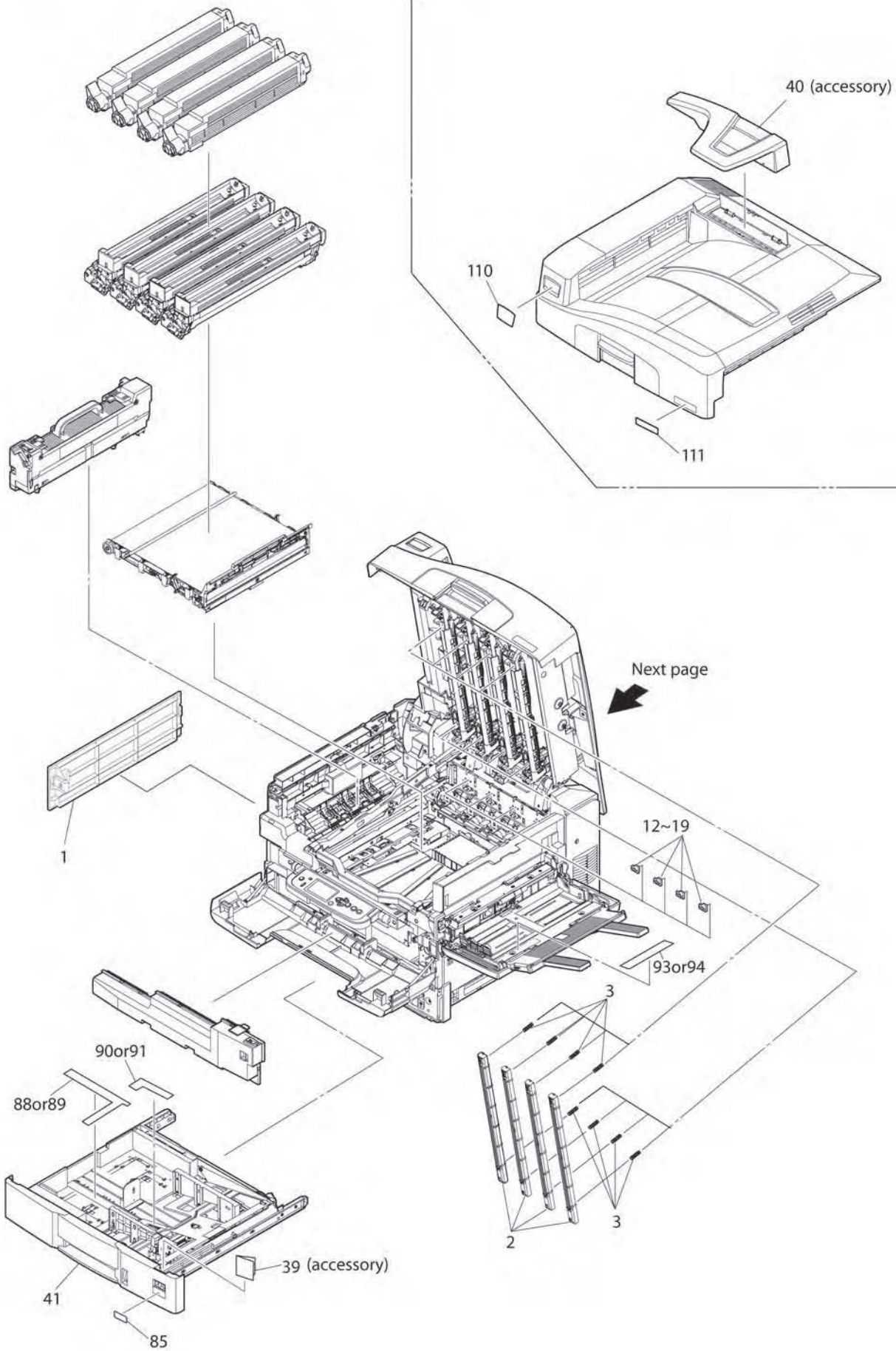
Disclaimer

Every effort has been made to ensure that the information in this document is complete, accurate, and up-to-date. The manufacturer assumes no responsibility for the results of errors beyond its control. The manufacturer also cannot guarantee that changes in software and equipment made by other manufacturers and referred to in this guide will not affect the applicability of the information in it. Mention of software products manufactured by other companies does not necessarily constitute endorsement by the manufacturer.

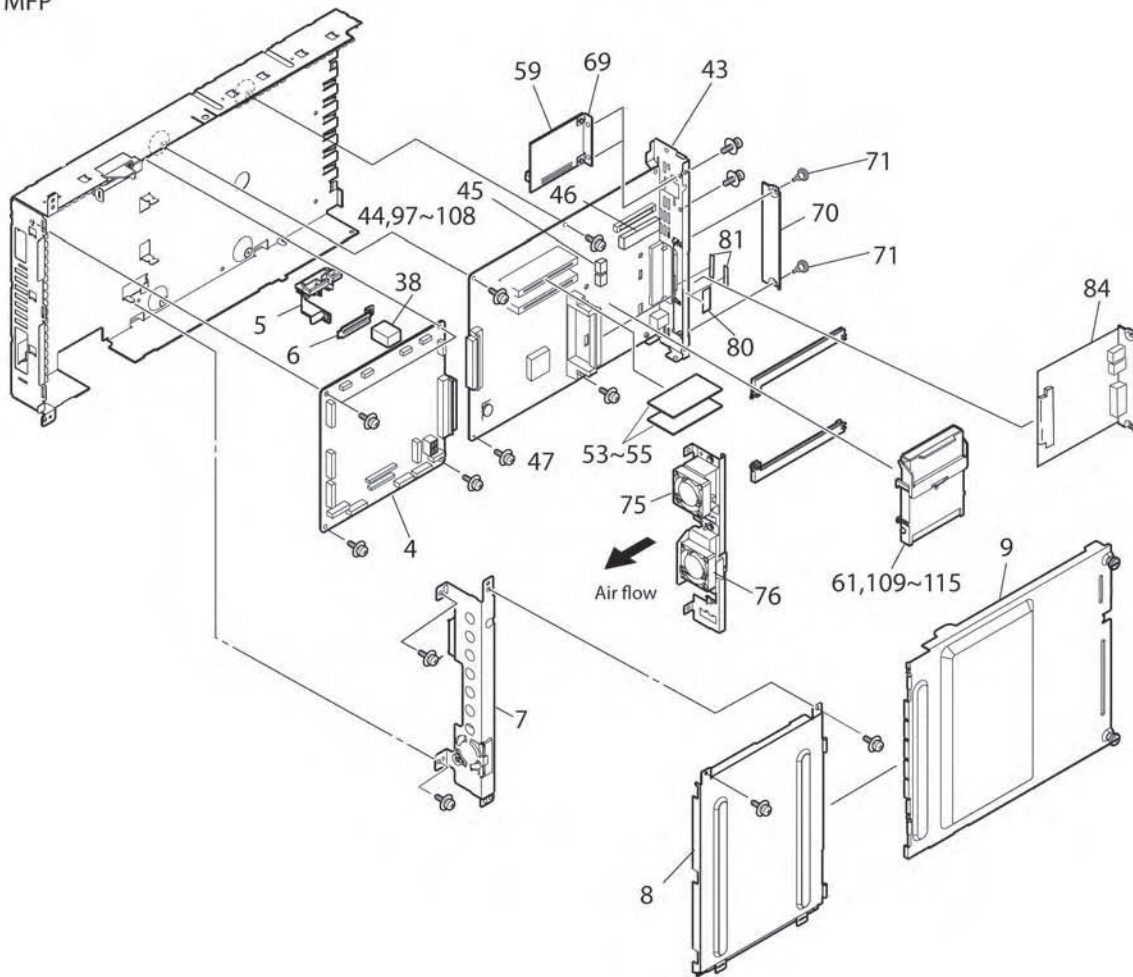
While all reasonable efforts have been made to make this document as accurate and helpful as possible, we make no warranty of any kind, expressed or implied, as to the accuracy or completeness of the information contained herein.

The most up-to-date drivers and manuals are available from the web site:
<http://www.okiprintingsolutions.com>

MAIN

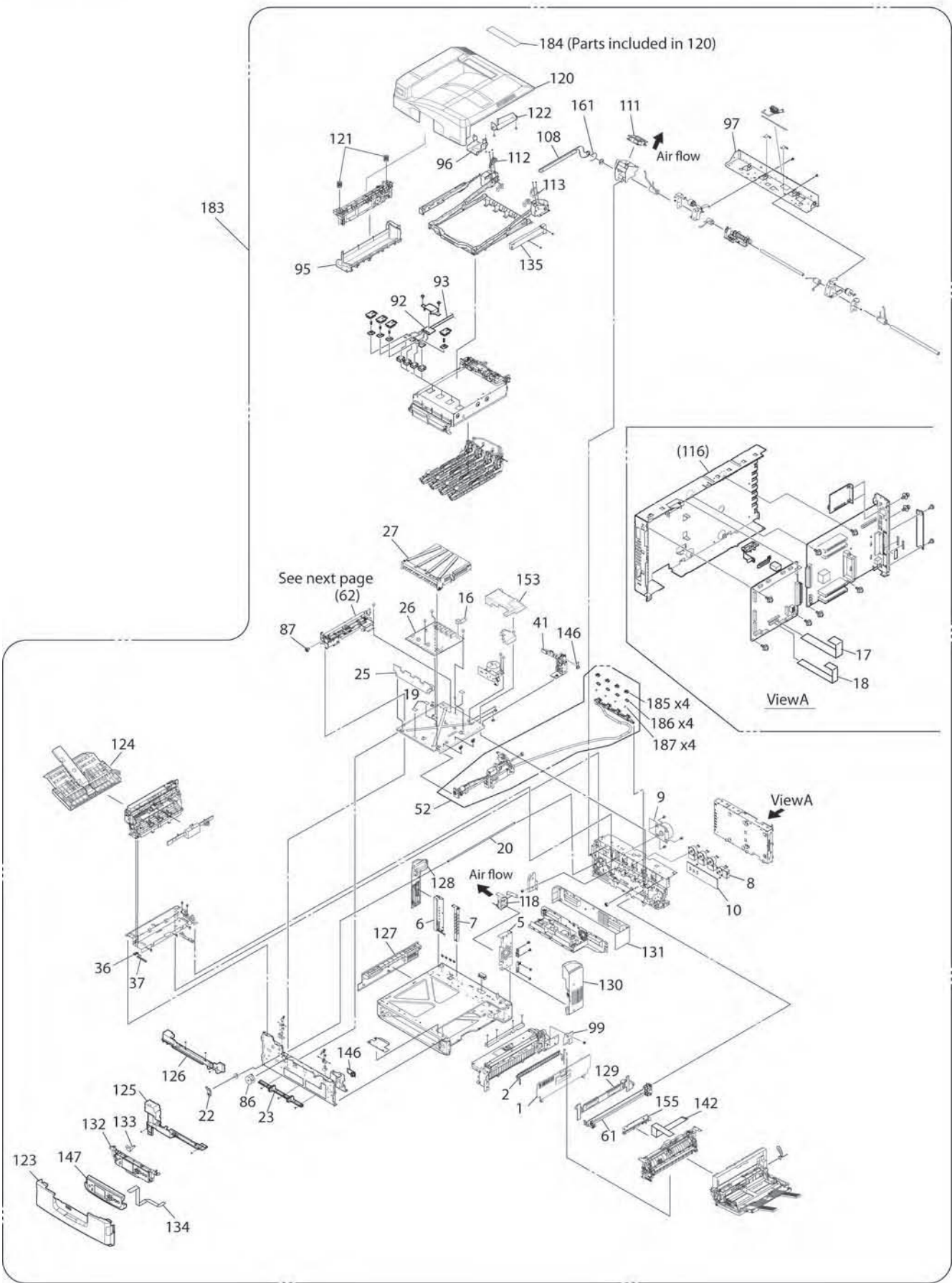


ES3640 MFP

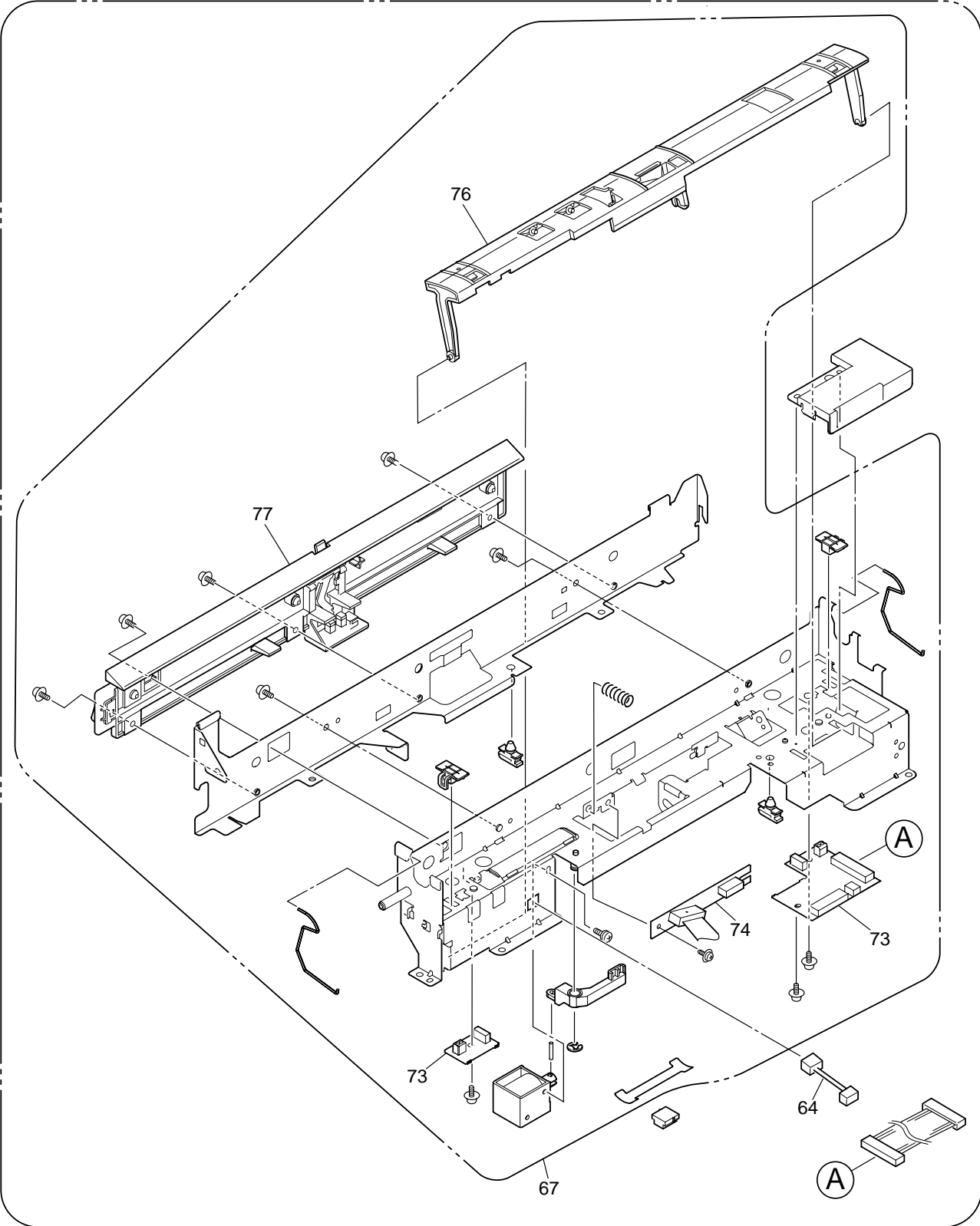


No.	Parts No.	Name	Remarks
1	42710201	Cover-Blank(Dup)	
2	42579001	LED Head-Unit-63MXF	1200dpi
3	42764301	Spring-Head	
4	42868013	OR-S2V	Engine (PU) Board 1200dpi
5	42780701	Code-Clump	
6	42859101	Plate-Clump-HCB	
7		Plate-Beam	
8		Plate-Shield	
9		Plate-Cover	1200dpi
38	43051901	Gasket-HCB	
39		Indicator-Paper-Size(OKI)	
40	42967901	Stopper-Paper	
41	42703601	Case-Cassette-Assy.	
43	42807602	Board-ASP	1200dpi
44		EEPROM(CU)	1200dpi
45	42968801	EEPROM(CU),Key-chip	1200dpi
46	42912201	BIOSROM	1200dpi
47		BT100	1200dpi
53	42314837	Board-Memory 128MB	
54	42314838	Board-Memory 256MB	
55	42314839	Board-Memory 512MB	
59	42921801	OkilAN 8200e	Soft NIC
61	55091103	ES3640 GA HDD (20GB)	
	55091003	ES3640 STD HDD (20GB)	
69		Plate-Blank-N	1200dpi
70	42854701	Plate-Blank-W	1200dpi
71	41723901	Screw-Knob	(Thumbscrew)
75	42861301	Motor-Fan(CU)	1200dpi
76	42925201	Motor-Fan(CU)	1200dpi
80	43037901	Gasket-Interface-A	
81	43038001	Gasket-Interface-B	
84	42887502	Board-BYN	MFP Board
100	43258604	EEPROM(CU)	ES3640
101	43258605	EEPROM(CU)	ES3640 GA

Printer-Unit 1/2



Printer-Unit 2/2



No.	Parts No.	Name	Remarks
1	42702301	Cover-Guide-1st-Assy	
2	42702701	Guide-Paper	
5		Plate-Support-A	
6		Plate-Support-B-Assy	
7		Plate-Support-C	
8	42985001	Motor-DC(ID)	
9	42864302	Motor-DC(FUSER)	
10	42868111	OR-S2M	Motor Driver Board
16		TW-VF-16-0.1X0.8-420 CONN PAR	
17		SMCD-40-160BD(1.0) CONN PAR	
18		SMCD-30-160BD(1.0) CONN PAR	
20	42736301	Shaft-LiftUp	
22	42736101	Planet Assy.-F	
23	42705901	Frame-Holder	
25	42737101	Bracket-HV-Assy	
26	43130502	PWR unit-(HIGH VOLTAGE)	Rev 6 HVPS
27	42737601	Cover-HV- Assy.-	(Includes:28-32)
36	40135301	Photo-Interrupter	
37		Cover-Cable-Heat A	
41	42738501	Gear-Duct-ID- Assy.	
52	43709501	Duct-Gear-Assy	(Includes:185-187)
61	42749801	Plate Assy.-MPT Lock	
62	42754701	Sensor-Regist- Assy.	(Includes:63-67)
64	42646501	CONN Cord-AMP2P-AMP2P	
67	42978901	Sensor-Regist-Sub-Assy	(Includes:68-85)
73	42888701	OR-S2Z	Color Drift (Color Registration) Sensor Board
74		GP2TC2 SENSOR-Density -	
76	42755401	Shutter- Assy.-	
77	42811301	TARUMI-Sensor Assy.-	Paper Slack Sensor
86	42756901	Motor-Pulse-Belt	
87	42757001	Gear-Idle-Belt	
92	43087701	RFID read witer system(incorprated type)	
93		SMCD-9-560BD(1.0) CONN PAR	
95	43465402	Job-Offset(Maintenance)	
96	42707301	Cover-Duct(L)	
97	42733401	Plate-Shaft-Base	
99	42703101	Cover-SNS	
108	42707401	Plate-Support(Top)	
111	42781701	Motor-Fan	
112	42894101	Gear-BKL2	
113	42894201	Gear-BKR2	
116	42780001	Plate-Shield-Box- Assy.	
118	42781701	Motor-Fan	
120	42708001	Cover Assy.-Top	(Includes.84)
121	42708401	Spring-Comp(Joboff)	
122		Cover-Duct(R)	
123	42708601	Cover Assy.-Front	
124	42709001	Cover Assy.-FU	
125	42709401	Cover-Guard(L)	
126	42709501	Cover-Guard(Front)	
127	42709701	Cover-Side(L)	
128	42709801	Cover-Side(L)Rear	
129	42709901	Cover-Side(R)	

Printer Unit

No.	Parts No.	Name	Remarks
130	42710001	Cover-Side(R)Rear	
131	42710101	Cover-Rear	
132	42706001	Cover Assy.-OP Panel	
133	42706701	Film-FG	
134		TW-VF-6-0.1X0.8-930 CONN PAR	
135	42919201	Guard-R	
142		SMCD-20-370-AD-P1.0 CONN PAR	
146	42970901	OR-HAL	Waste Toner, Gear, and Belt Rotation SNS Board
147	42706101	Cover-OP Panel	
153	42914601	Cover-Middle	
155	42744001	Cover-Snsor(S2S)	
161	43052901	Spring-Torsion-FG	
183		Printer-Unit	
184	42967801	Cover-Blank(Top)	Parts included in No.120
185		Cap-ID-Adhesive	Parts included in No.52
186		Sponge-Cap	Parts included in No.52
187		Spring-Cap	Parts included in No.52

Plate-Assy-Power 120V

Plate-Assy-Power 230V

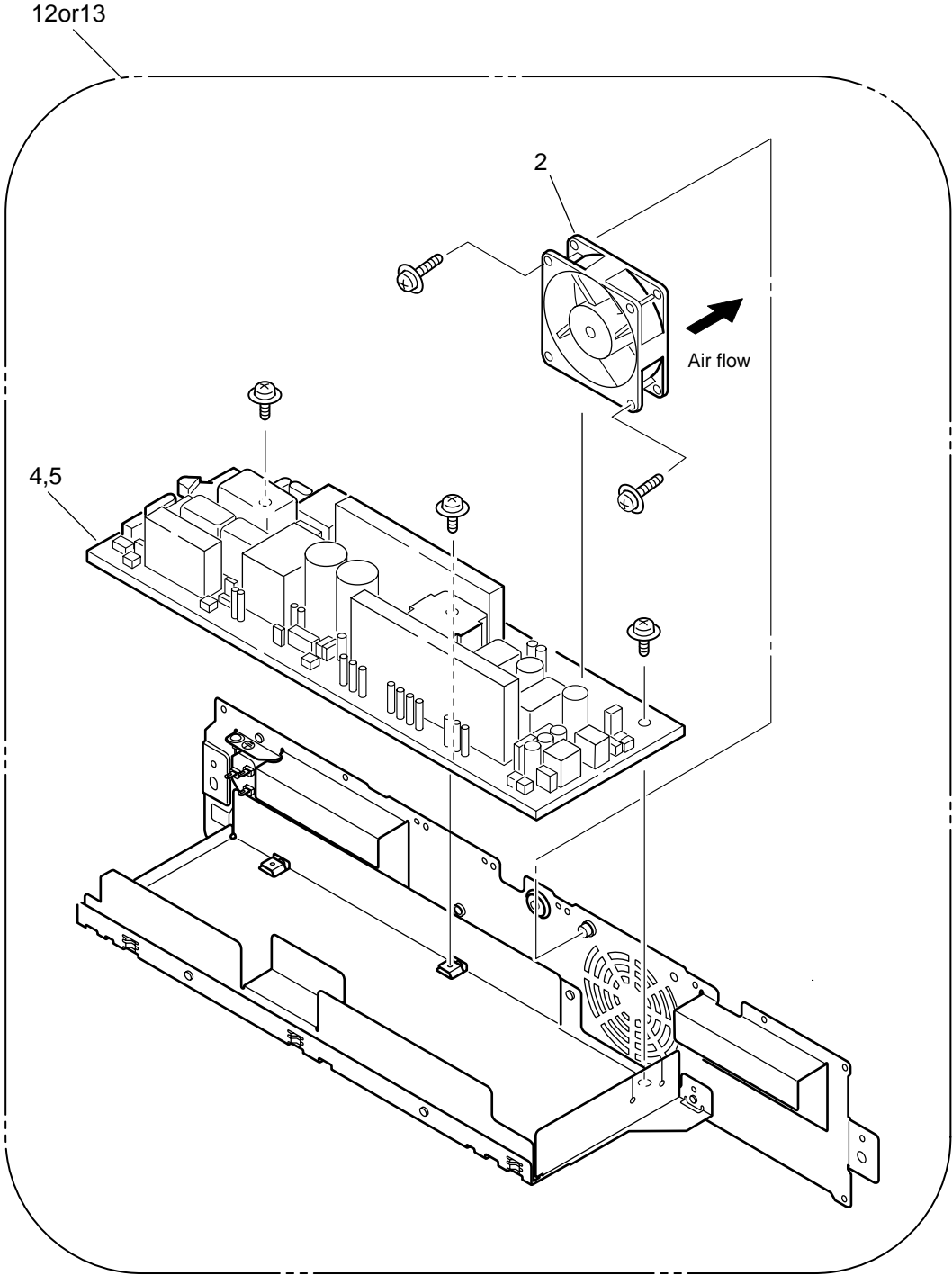
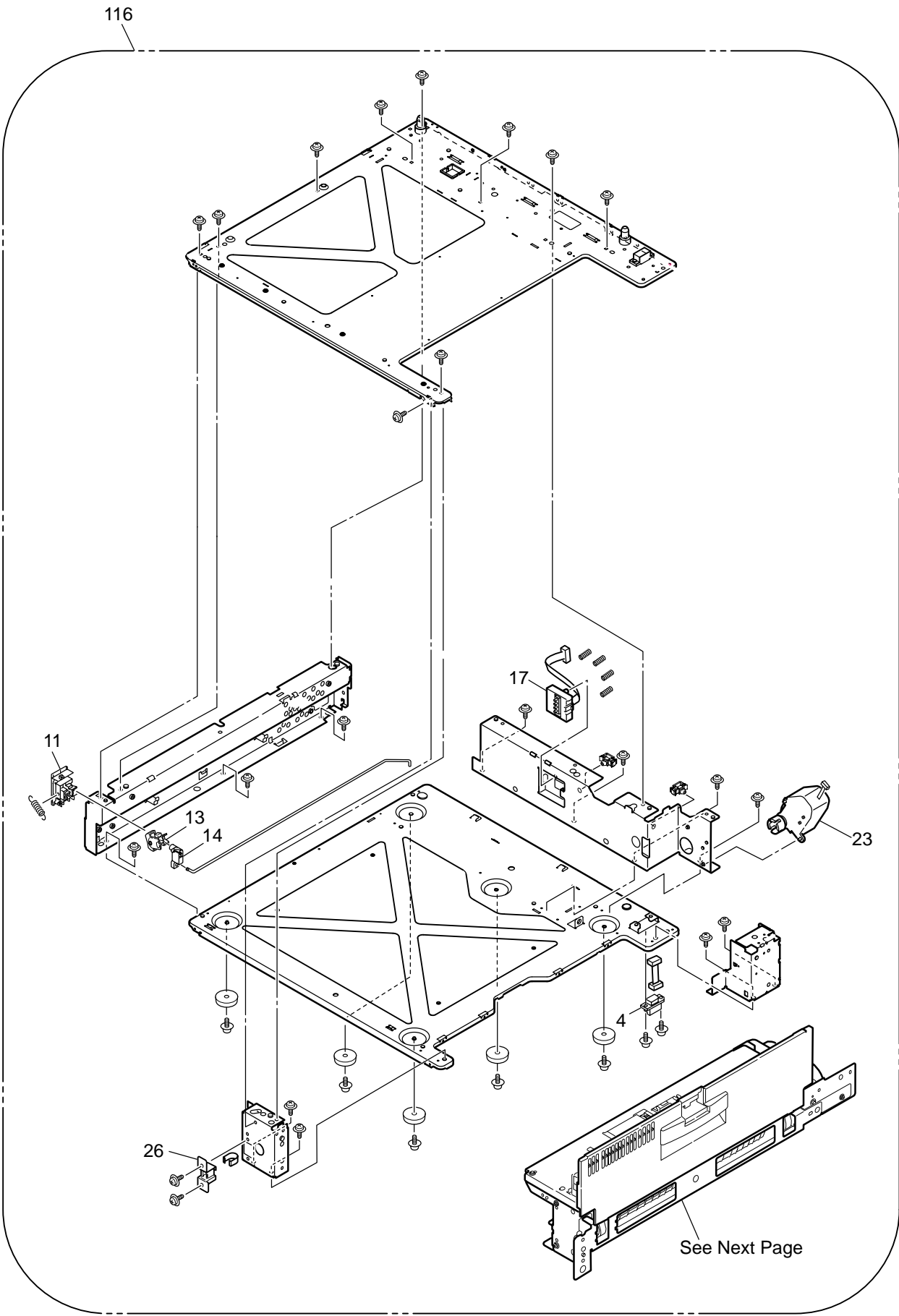


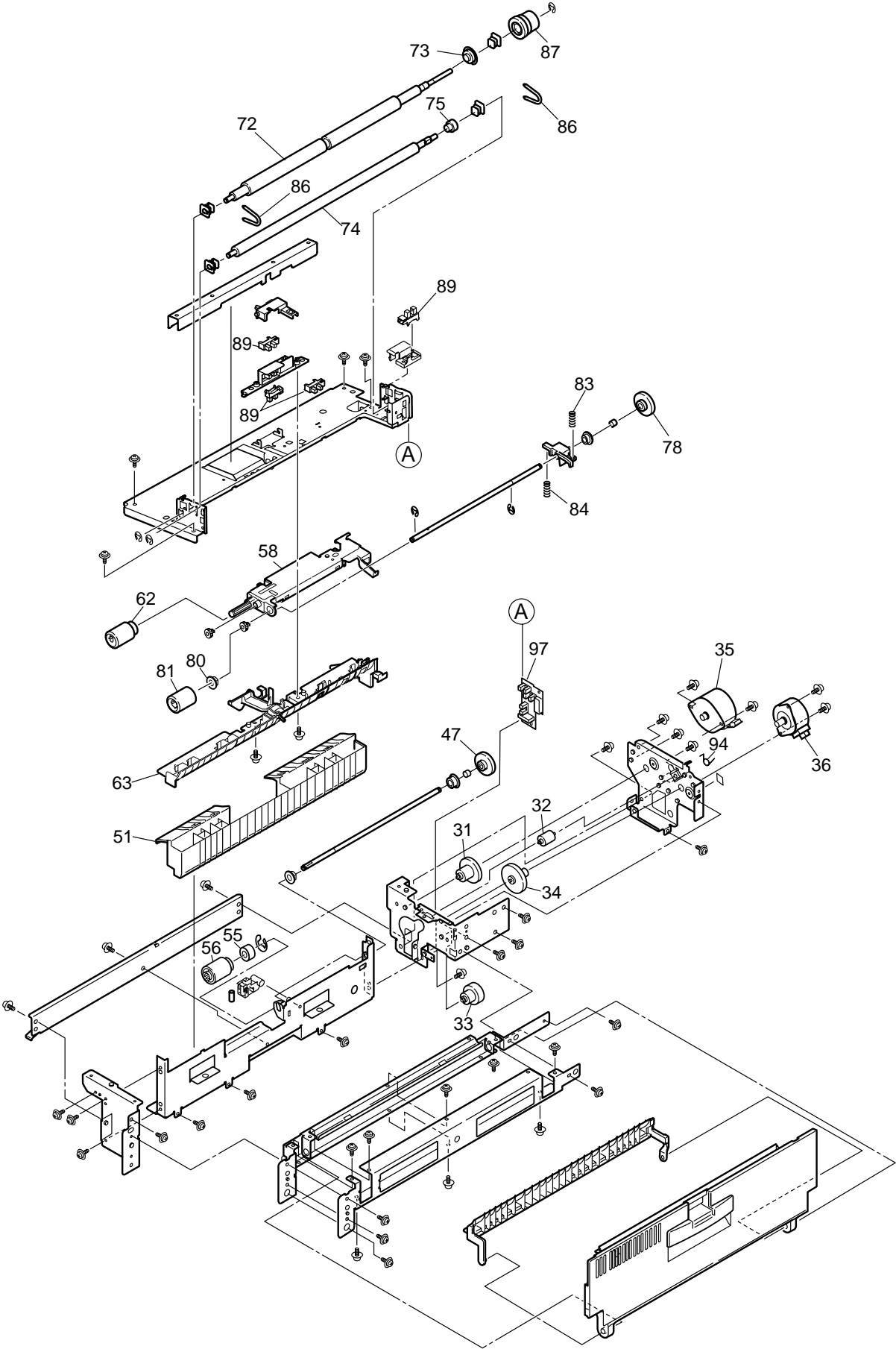
Plate Assy Power

No.	Parts No.	Name	Remarks
2	42703401	Motor-Fan	
4		PWR unit-ACDC Switch(120V)	Replaced by #12
5		PWR unit-ACDC Switch(230V)	Replaced by #13
12	42703201	Plate-Assy-Power (120V)	Contains #'s 2 & 4
13	42703202	Plate-Assy-Power (230V)	Contains #'s 2 & 5

Base-Assy 1/2



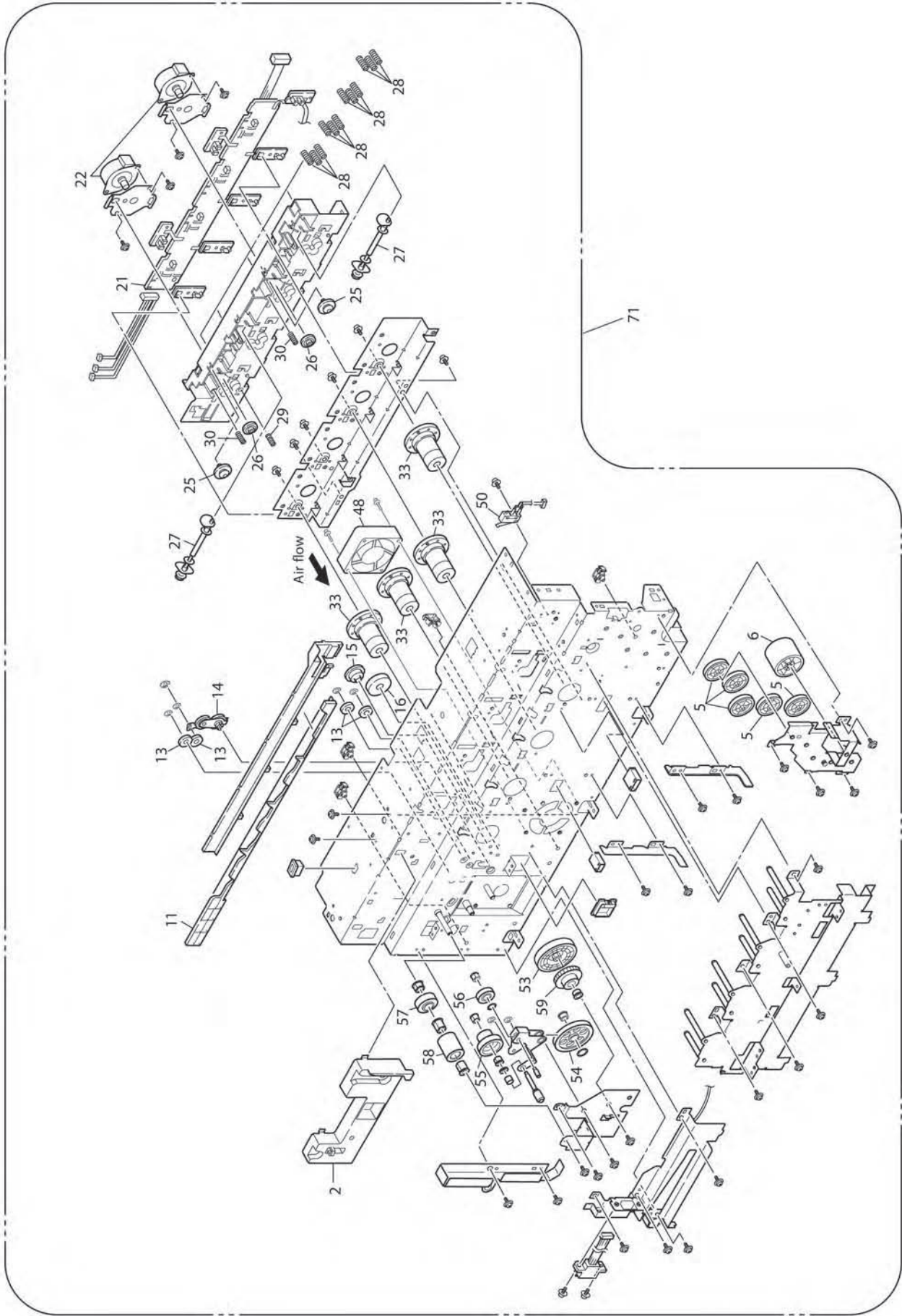
Base-Assy 2/2



Base Assy

No.	Parts No.	Name	Remarks
4		IMSA-9714N-14Z02 Connector-SQR -	
11	42693501	Cover-switch	
13	42693701	Switch-AC	
14	42693801	Link-Switch	
17	42694101	Sensor Assy	(Includes:18-20)
23	42694601	Geard-Motor(1st)	
26	42695101	Lock-Cassette	
31	42695701	Gear-Hopping-Z68-19	
32	42695801	Gear-Idle-Retard	
33	42695901	Gear-Feed-Z53-18	
34	42696001	Gear-Idle-Z48	
35	42629401	Motor-Pulse-Fuser	
36	42890201	Motor-Pulse-Regist	
47	42698001	Gear-Z38(one-way)	
51	42698201	Guide-Paper-Lower	
55	42988601	Torque-Limiter-OTLV	
56	41766501	Roller-Feed	
58	42699001	Roller Assy.-Pick-Up	(Includes:59-62)
62	42699401	Roller-Pick-Up	
63	42699601	Frame Assy.-Feed	(Includes:63-71)
72	42700601	Roller-Regist1	Registration Roller (Top Roller)
73	40301801	Gear-Regist	
74	42700801	Roller-Pressure1	Pressure Roller (Bottom Roller)
75	41066801	Gear-PRB	
78	42698001	Gear-Z38(one-way)	
80	42701201	Gear-Feed	
81	43000601	Roller-Feed-NOW	
83	42701501	Spring-PickUp	
84	42701601	Spring-Release	
86	42701801	Spring-Regist	
87	42863401	Gear-Assy-Clutch	
89	40135301	Photo-Interrupter	
94	42999001	Spring-FG-CL1	
97	42868401	OR-S2C	Entrance Sensor Board

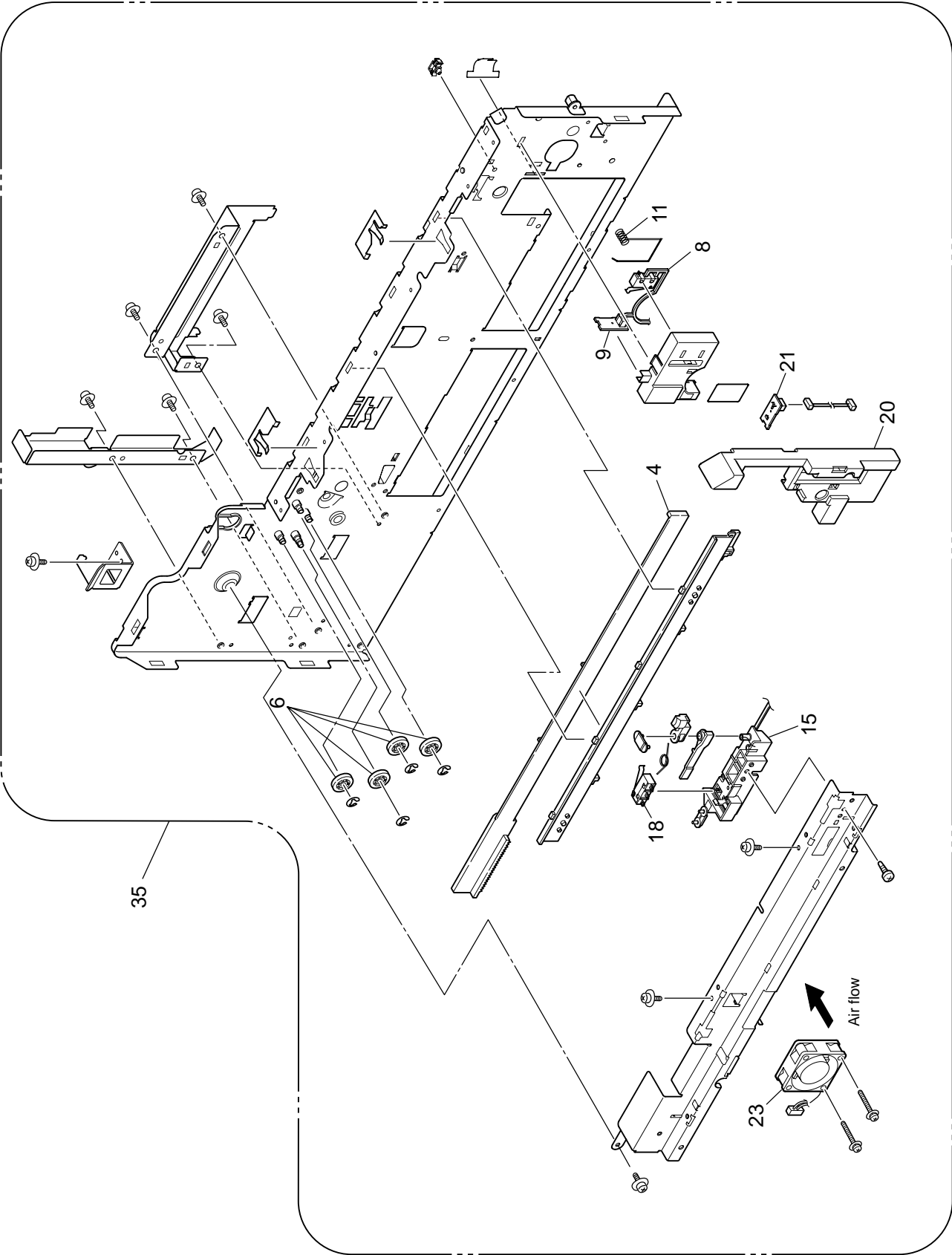
Side-R-Assy



Side R Assy

No.	Parts No.	Name	Remarks
2	42839601	Guide-Bracket-FU	
5	42724601	Gear-idle(Z39)	
6	42724801	Gear-Idle(Z44)	
11	42729901	Slider-Liftup-R	
13	42730101	Gear-Idle-Link	
14	42730301	Planet Assy.-R	
15	42828301	Gear-Idle-Liftup-Z20-30	
16	42730701	Gear-Idle-Lift-UP-Z37	
21	42868301	OR-SGG	
22	42863901	Motor-Pulse(Toner-Shutter)	
25	42732601	Gear-Z14-42	
26	42732701	Gear-Z14-35	
27	42732801	Camshat	
28	42732901	Spring-ID-Fuse	
29	42733001	Spring-FG	
30	43027601	Spring-Press-FG	
33	43027601	Gear-Idle-Drum	
48	42743801	Motor-Fan	
50	42983401	CONN Cord-JST5P-SW	
53	43049801	Gear-Z77-FU	
54	43049901	Gear-Z47-FU	
55	43050001	Gear-Z14-Z24-FU	
56	43050101	Gear-Planet-Z16-FU	
57	43050201	Gear-Z20-FU	
58	43050301	Gear-Z17-FU	
59	43050401	Gear-Z16-FU	
71	42721201	Side-R-Assy	

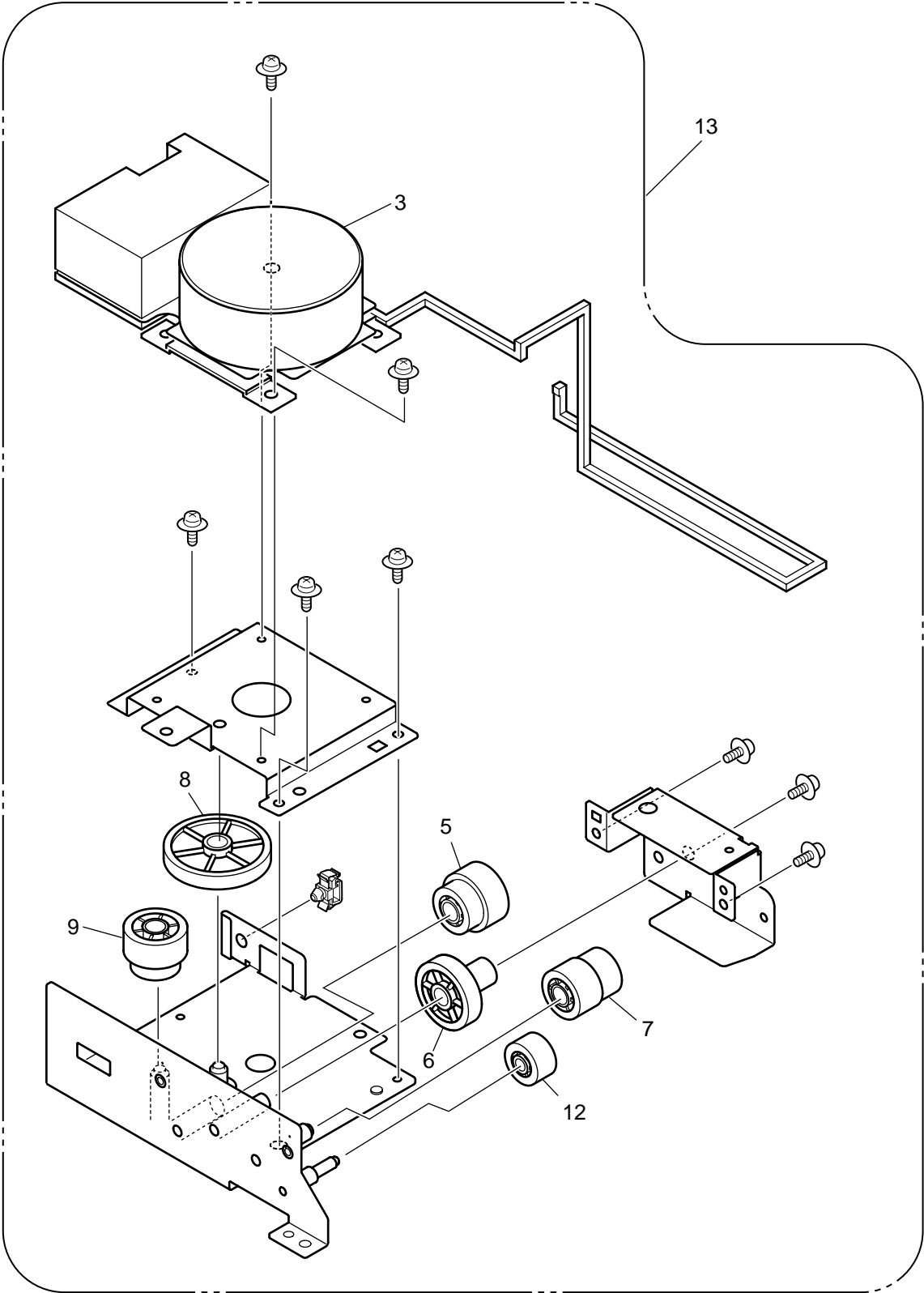
Side-F-Assy



Side F Assy

No.	Parts No.	Name	Remarks
4	42735701	Slider-LiftUP-F	
6	42730101	Gear-Idle-Link	
8	42650501	CONN Cord-AMP2P-SW	
9	42970901	OR-HAL	Waste Toner, Gear, and Belt Rotation SNS Board
11	43056301	Spring-FG-SW-F	
15	42736601	Holder-Cover-Open-SW	
18	42538001	CONN Cord-JST2P-SW	
20	42709601	Cover-Guard(R)	
21	42970901	OR-HAL	Waste Toner, Gear, and Belt Rotation SNS Board
23	42763302	Motor-Fan	
35	42734801	Side-F-Assy	

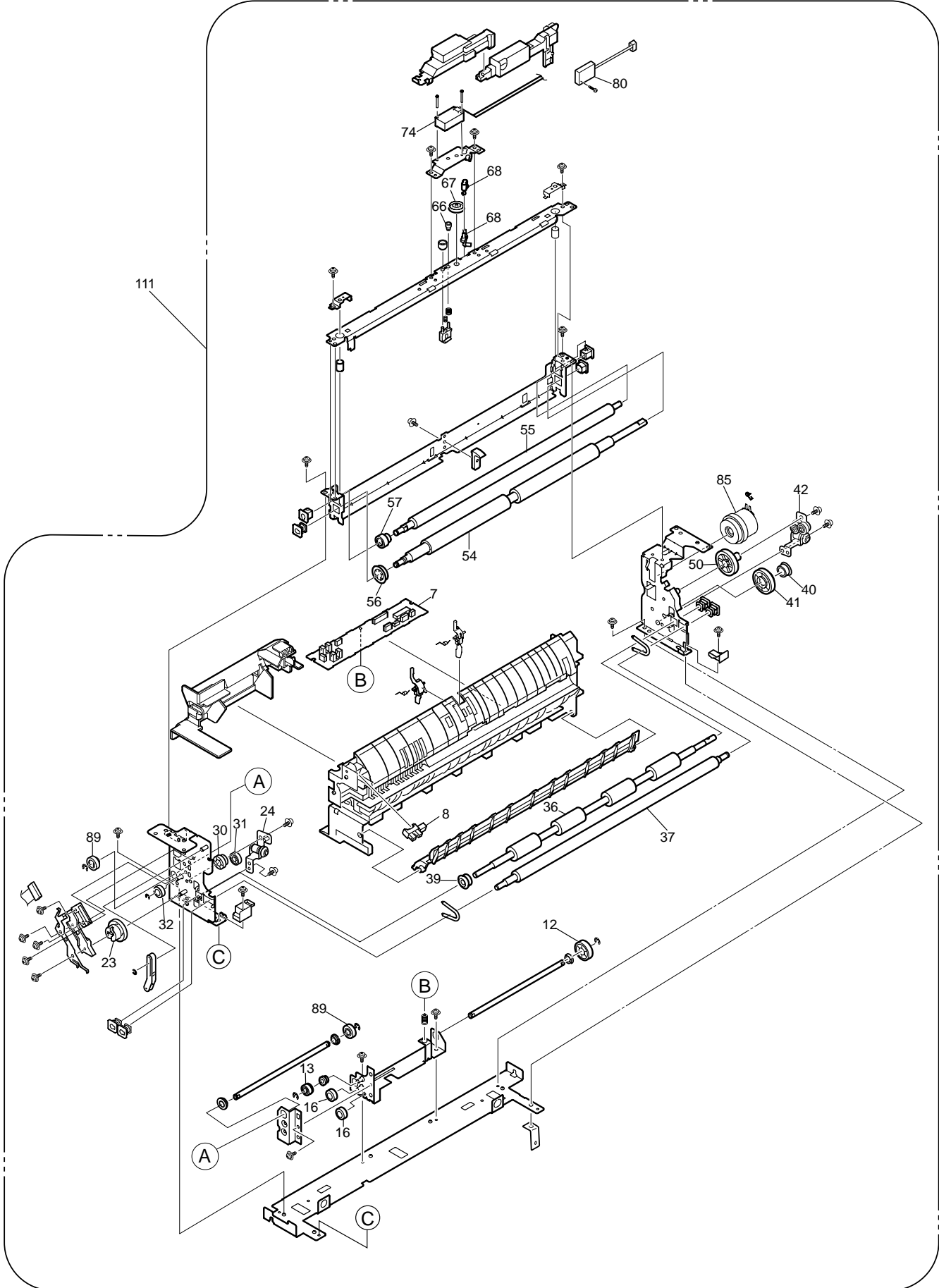
Duct-Drive-Assy



Duct Drive Assy

No.	Parts No.	Name	Remarks
3	42892401	Motor-DC(DISTONER)	
5	42913701	Gear-WT-Z18-Z20	
6	42978701	Gear-WT-Z30	
7	42913901	Gear-WT-Z15-Z21	
8	42914301	Gear-WT-Z56	
9	42914401	Gear-WT-Z18-Z25	
12	42967201	Gear-WT-Z14	
13	42740001	Duct-Drive-Assy	

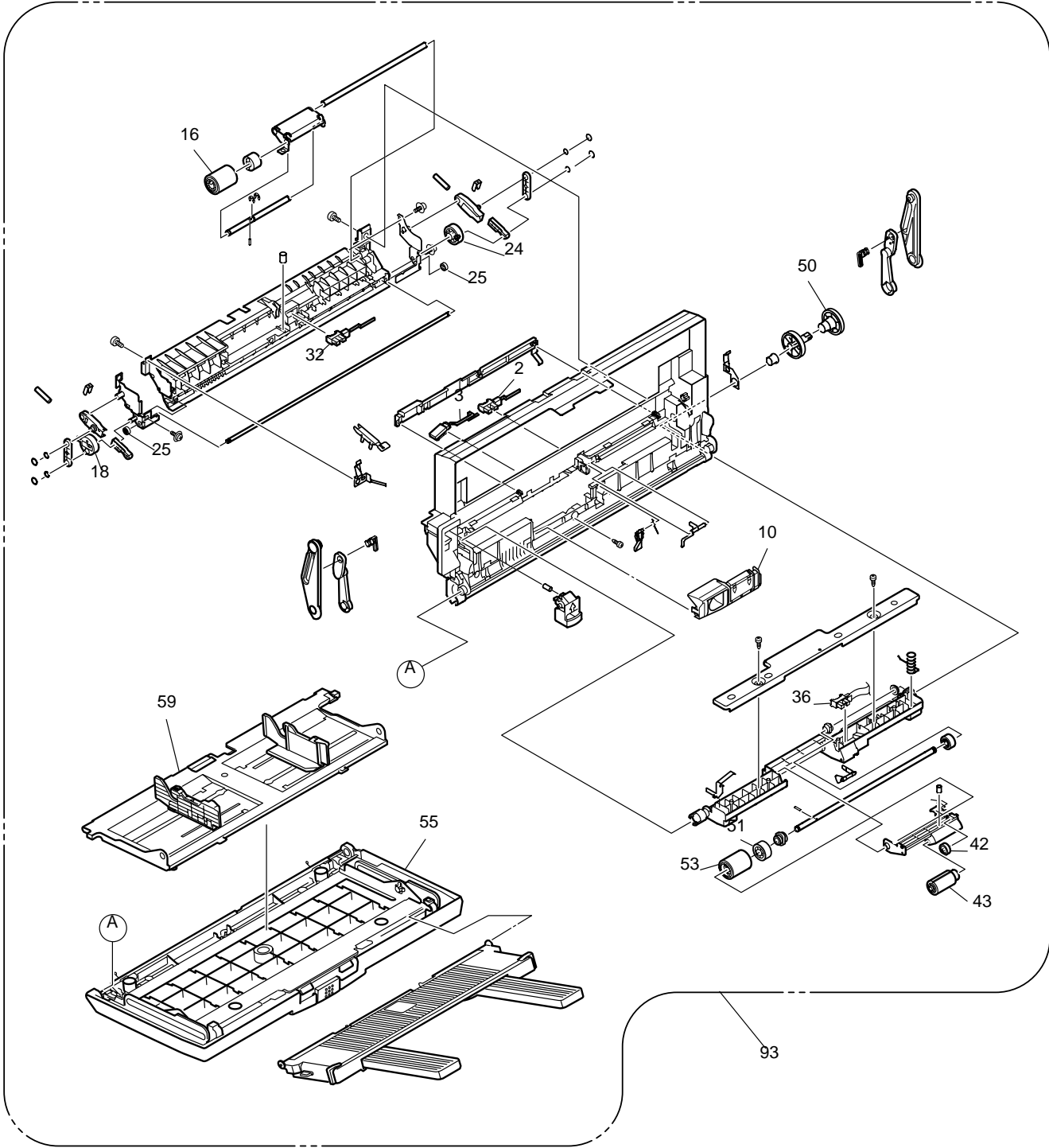
FDR-Unit-Regist



FDR Unit Registration

No.	Parts No.	Name	Remarks
7	42868201	OR-S2S	Paper Size Detection Board
8	40135301	Photo-Interrupter	
12	42978801	Gear-Connection-Z21	
13	42913101	Gear-Connection-Z14	
16	42739201	Gear-Idle-D	
23	43589701	Gear-Coupling-A-Kit_for_Mainte.	
24	42973101	Plate Assy.-Link(Front)	(Includes:25-29)
30	42745001	Gear-Wheel(Z30)-Front	
31	42746301	Gear-Idle(Z16)	
32	42739201	Gear-Idle-D	
36	42747201	Roller-Feed(M)	
37	42747301	Roller-Pressure(M)	
39	42747401	Gear-OnewayBevel(Z20)	
40	42747402	Gear-OnewayBevel(Z20)	
41	42747601	Gear-Feed-Z36	
42	42973701	Plate Assy.-Link(Rear)	(Includes:43-49)
50	42745801	Gear-Idle(Z37)	
54	42747901	Roller-Regist(2)	
55	42748001	Roller-Pressure(2)	
56	40301801	Gear-Regist	
57	41066801	Gear-PRB	
66	42748801	Gear-SH1	
67	42748901	Gear-SH2	
68	42749001	Gear-SH3	
74		D6E-K SENSOR-Magnet	
80		HSU-06A1T1 SENSOR-Temp	
85	43003201	Gear Assy.-CL(Reg2)	
89	42913401	Gear-Connection-Z18	
111	42743001	FDR-Unit-Regist	

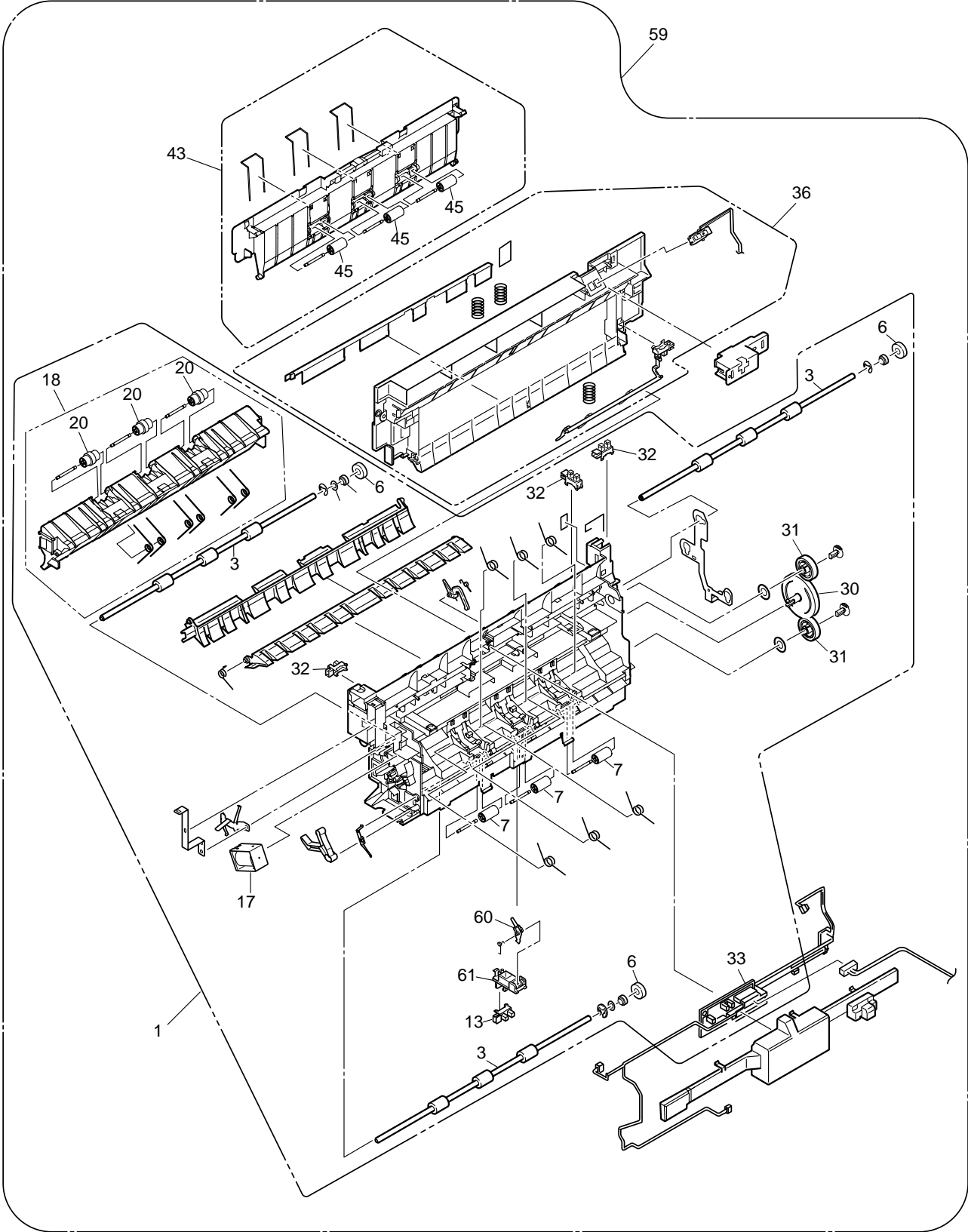
FDR-Unit-MPT



FDR Unit MPT

No.	Parts No.	Name	Remarks
2	40135301	Photo-Interrupter	
3	41842802	Photointerrupter	
10	43012701	Guide Assy.-Friction	
16	43013001	Roller-Feed	
18	42745201	Gear-Link(Z27)Front	
24	42810001	Gear-Link(Z27)Rear	
25	42961501	Gear-Link-Z12	
32	40135301	Photo-Interrupter	
36	40135301	Photo-Interrupter	
42	42052001	Gear-Planet(Z20)-HP	
43	42954401	Roller Assy.-Pickup	
50	42752801	Gear-Oneway(Z38/Z53)	
51	42752901	Gear-Feed(Z25)	
53	42701302	Roller-Feed(OW)	
55	42753701	Hopper Assy.-MPT	(Includes:56-59,69-71,88-90)
59	42934701	Sheet-Recieve-Assy.	(Includes:60-68)
93	42750401	FDR-Unit-MPT	

Ejest-Assy



Eject Assy

No.	Parts No.	Name	Remarks
1	42757501	Guide-Eject-Assy	(Includes:2-35)
3	42757401	Roller-Eject	
6	42757801	Gear-Eject_Z17	
7	42757901	Roller-Pinch-Eject	
13	40135301	Photo-Interrupter	
17	42758801	DC-Solenoid-10SL-144	
18	42758901	Guide-Sheet-FU-Assy	(Includes:19-23)
20	42759101	Roller Assy.-FU	
30	42760201	Gear-Idle-Eject-Z54	
31	42760301	GEAR-IDLE-Eject_Z27	
32	40135301	Photo-Interrupter	
33	42868501	OR-S2R	
36	42760401	Guide-Eject-Outer- Assy.-	(Includes:37-42)
43	42760801	Cover-Eject-Auter-Assy	(Includes:44-47)
45	42757901	Roller-Pinch-Eject	
59	42757101	Eject-Assy	
60	42759301	Lever-Exit_Sensor	
61		Holder-Lever	

Plate-Top-Assy

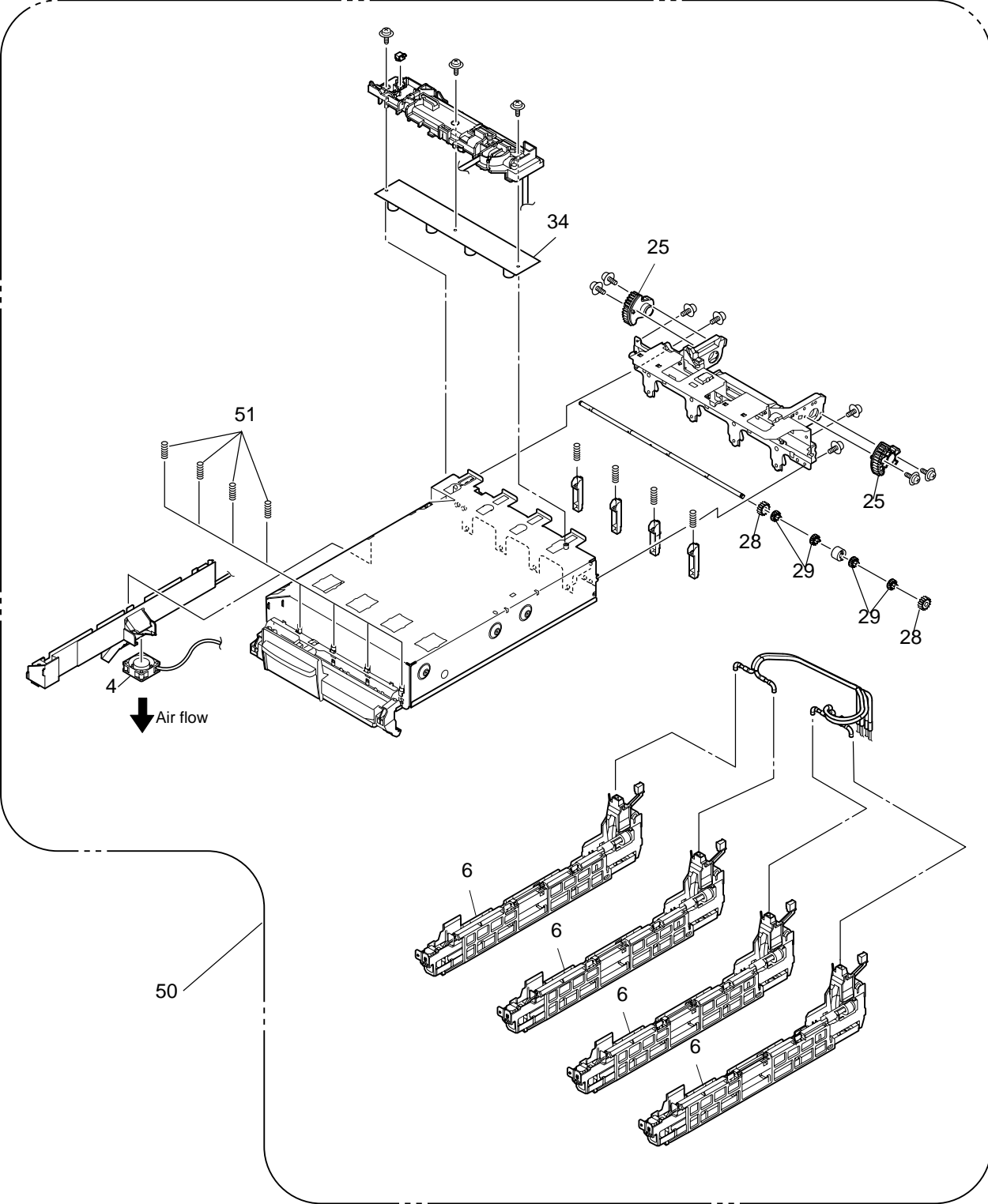
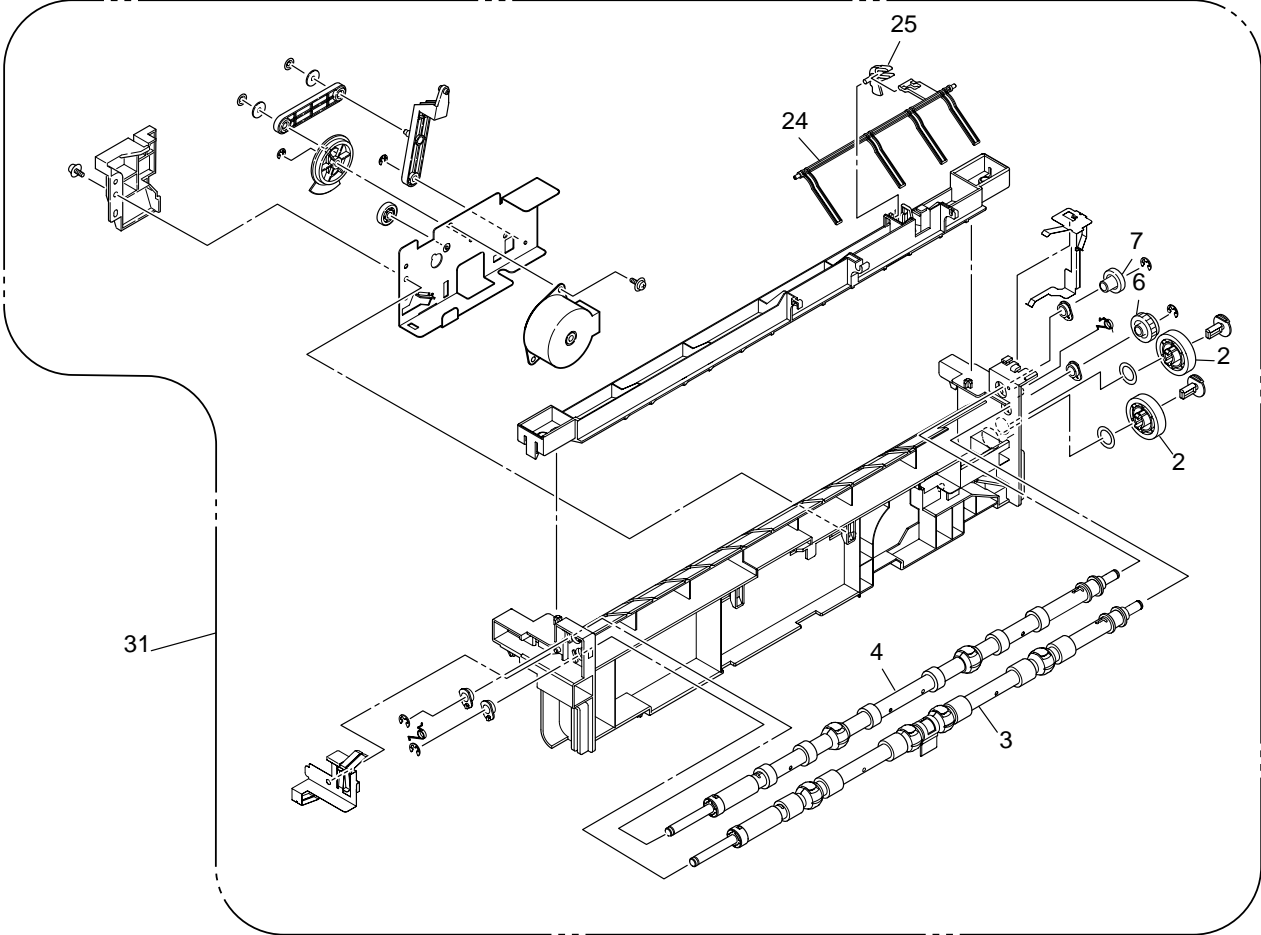


Plate Top Assy

No.	Parts No.	Name	Remarks
4	42763301	Motor-Fan	
6	42763801	Holder-Head- Assy.-	(Includes:7-19)
25	42762201	Gear-Damper-TOP	
28	42857301	Gear-LED2	
29	42857401	Gear-LED3	
34	42868601	OR-S2H	
50	42761401	Plate-Top-Assy	
51		Spring-Tension-F	

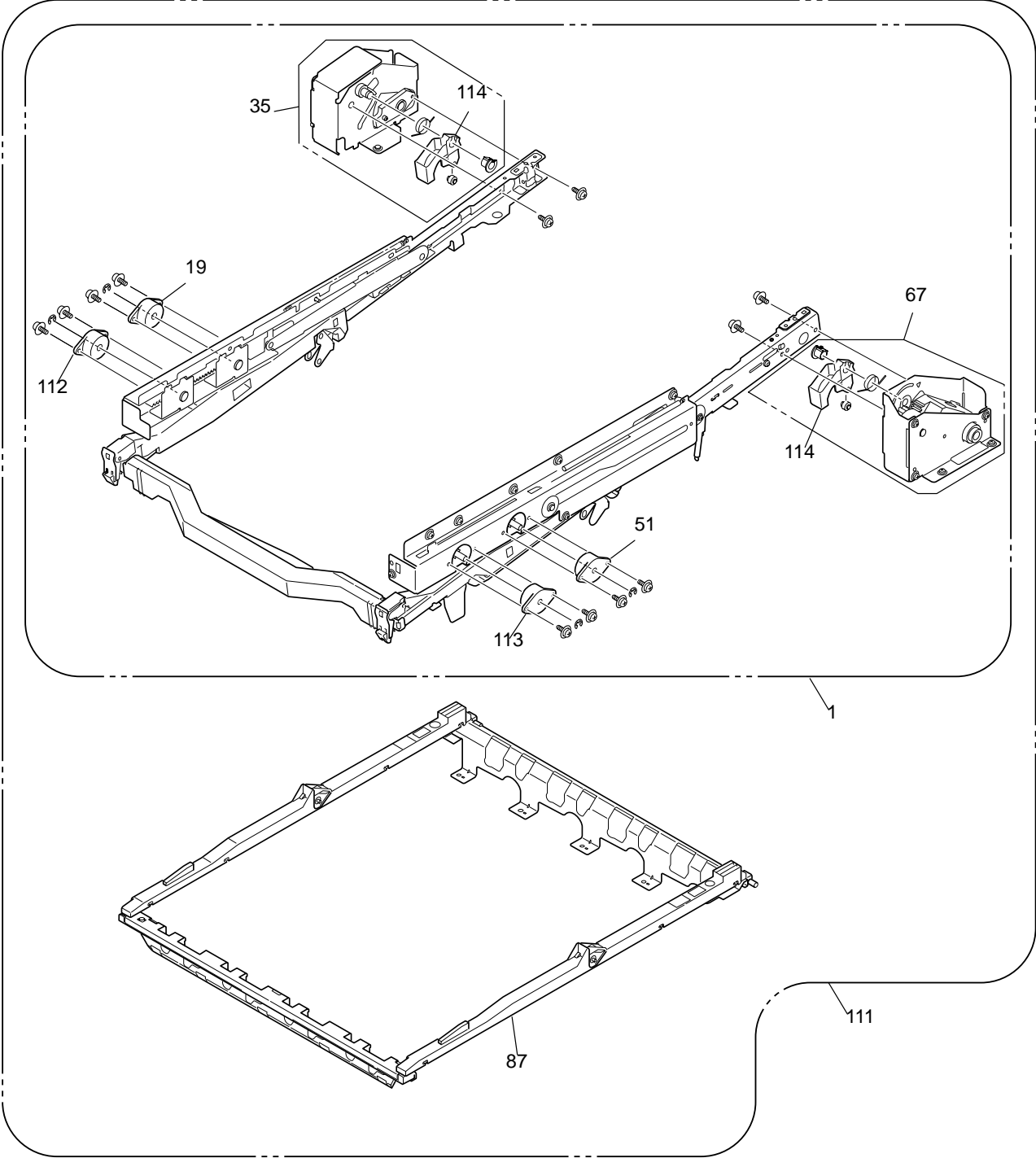
Job-Offset-Assy



Job Offset Assy

No.	Parts No.	Name	Remarks
2	42760301	GEAR-IDLE-Eject_Z27	
3	42809001	Pipe-Assy-Drive_723	
4	42765801	Pipe-Assy-Driven_723	
6	43034301	Gear-Drive	
7	41351101	Gear-Driven	
24	42767501	Lever-Stacker-Full-F	
25	42767601	Lever-Stacker-Full-Sub	
31	43465402	Job Offset Assy	

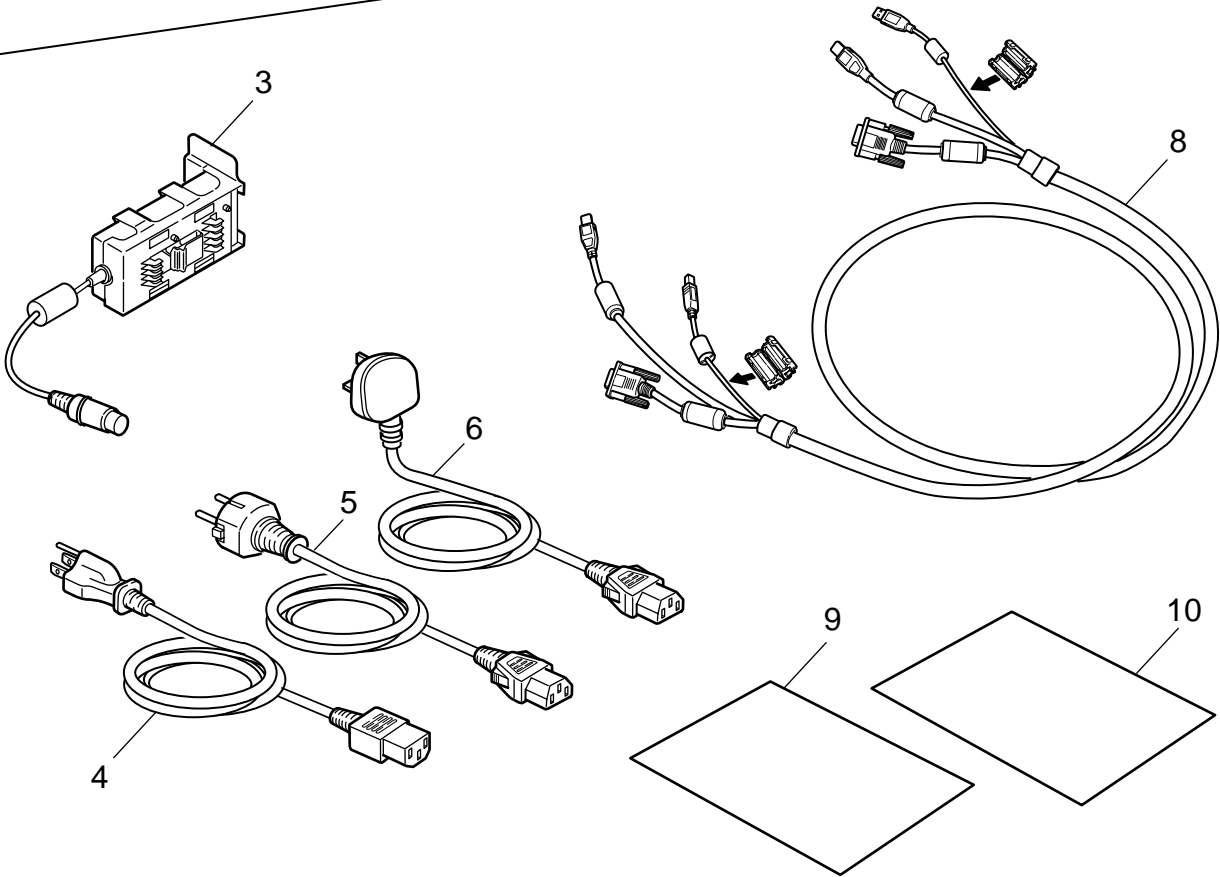
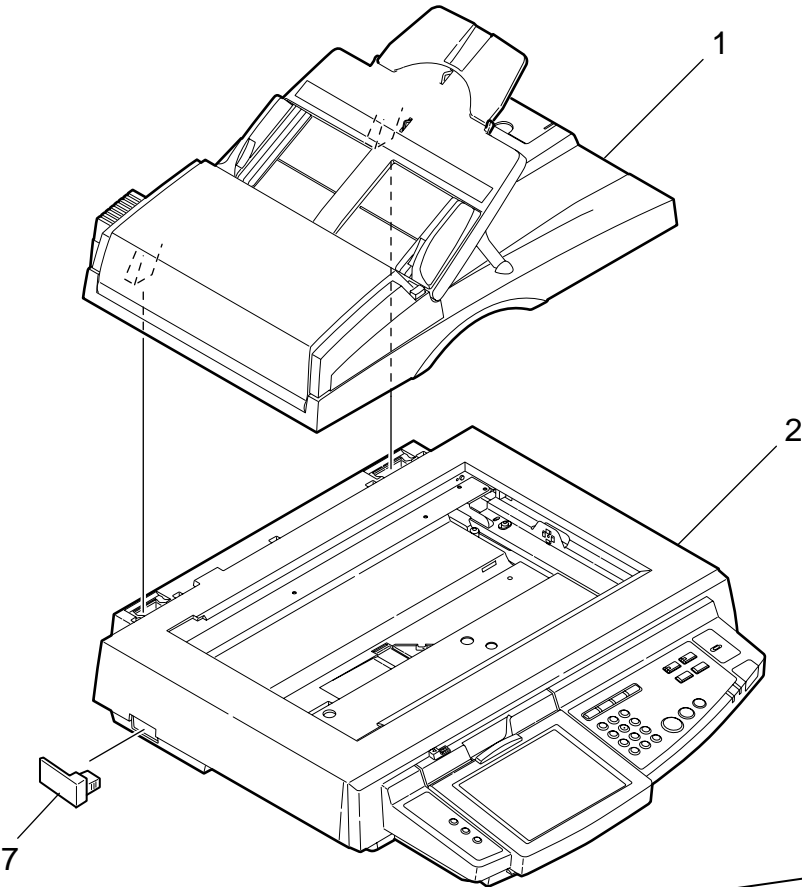
Basket-Assy



Basket Assy

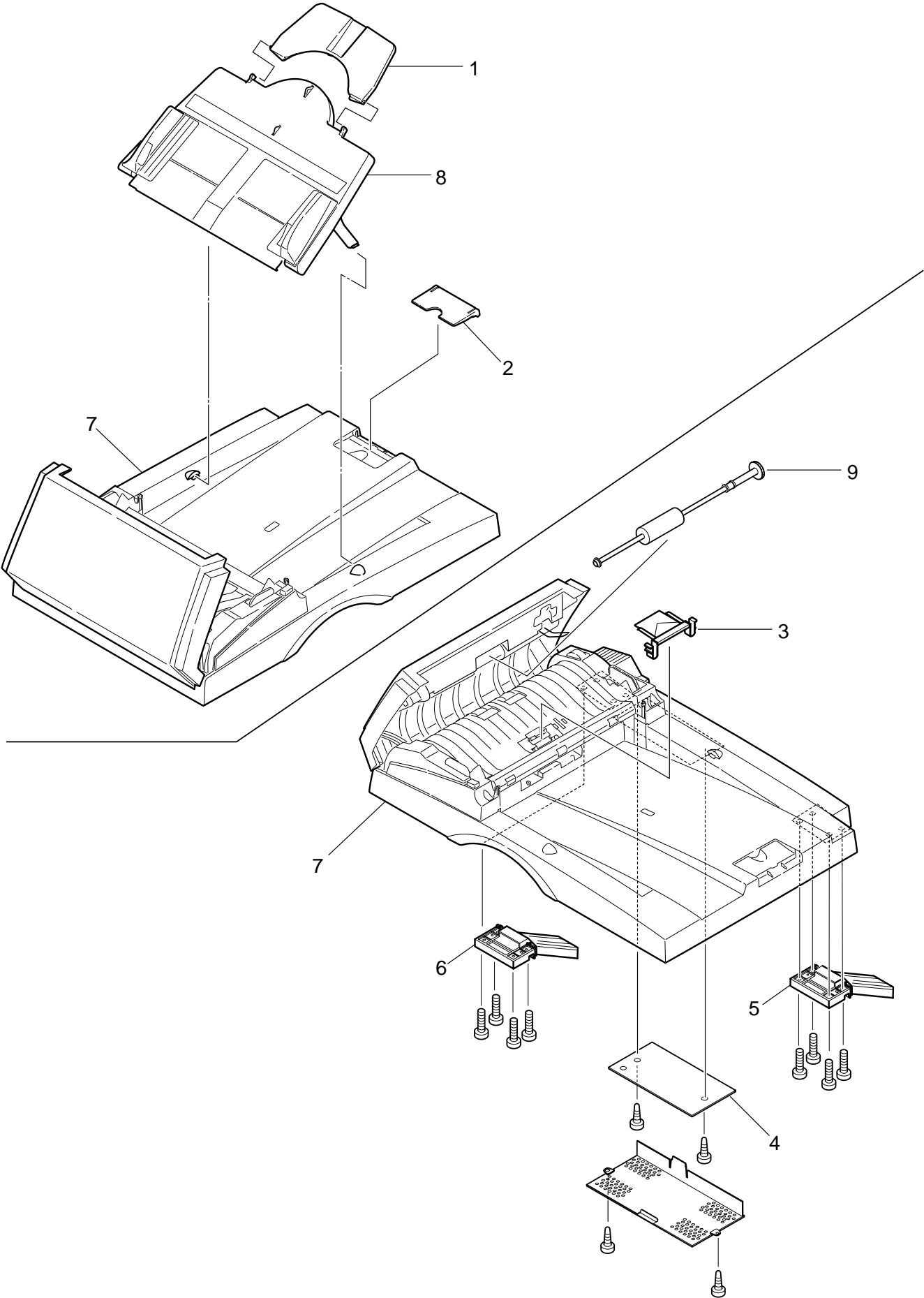
No.	Parts No.	Name	Remarks
1	42769001	Basket-Main-Assy	(Includes:2-17,49,81-86)
19	42919302	One-Way-Hinge-L	
35	42774401	Gear Assy.-L	(Includes:114)
51	42919402	One-Way-Hinge-R	
67	42777401	Gear Assy.-R	(Includes:114)
87	42771801	Basket-Inner- Assy.-	(Includes:88-97)
111	42768901	Basket-Assy	
112	42919302	One-Way-Hinge-L	
113	42919402	One-Way-Hinge-R	
114		Plate-Limiter	Included in 35 and 67

Parts Layout Scanner Unit



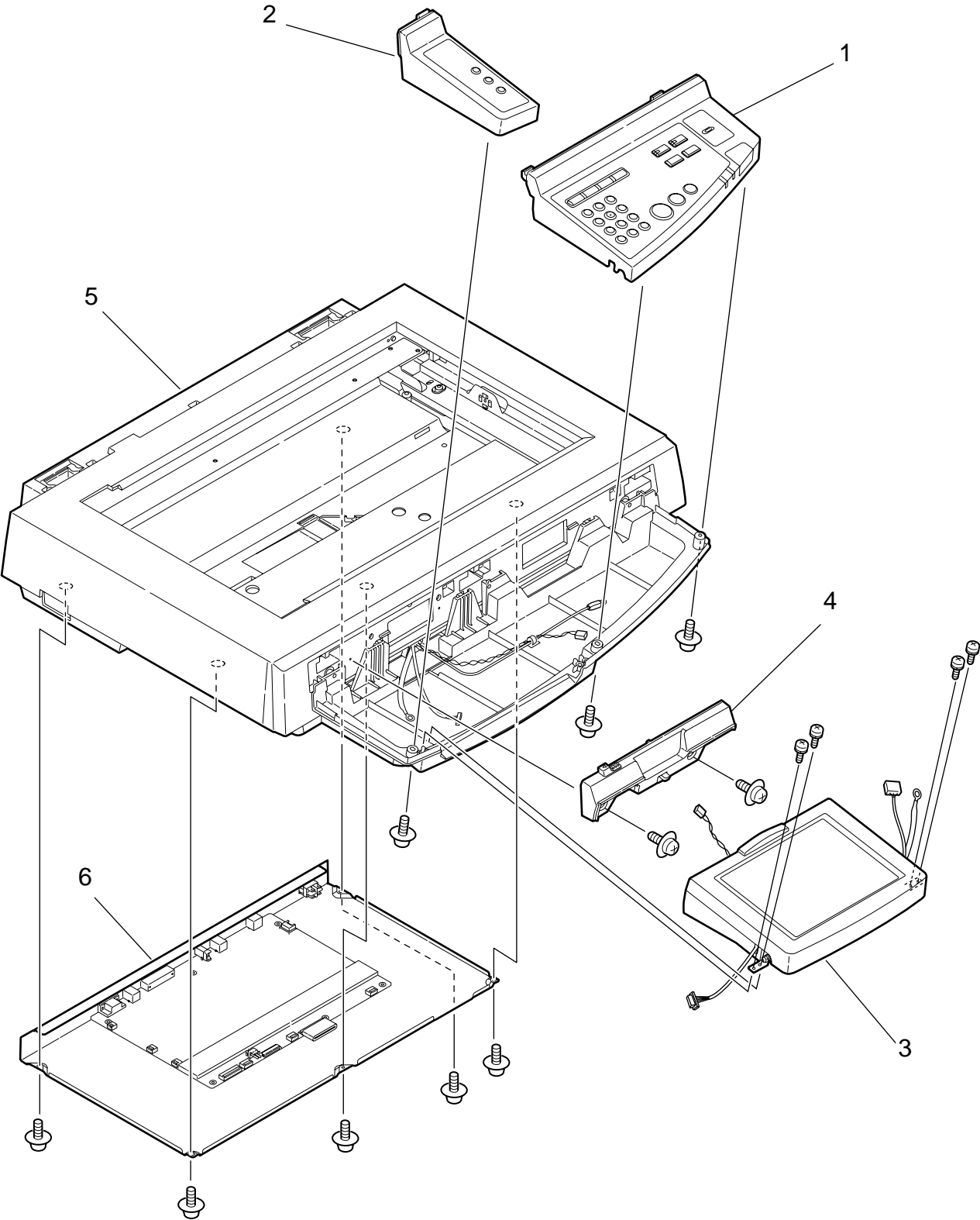
No.	Parts No.	Name	Remarks
1		ADF UNIT	
2		FLATBED UNIT	
3	43237701	AC ADOPTER WITH HOLDER	
4		POWER CORD,10A/125V,1.8m(UL/CSA)	
5	43237901	POWER CORD,10A/250V,1.8m(CEE)	
6		POWER CORD,10A/250V,1.8m(BSI)UK	
7		LOCK SWITCH COVER	
8	43238201	3-IN-1 CABLE	
9		CHART FOR ADF	
10		CHART FOR FLATBED	

ADF Unit



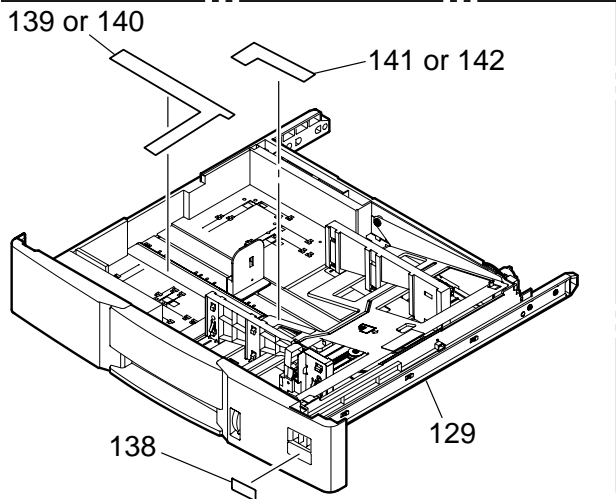
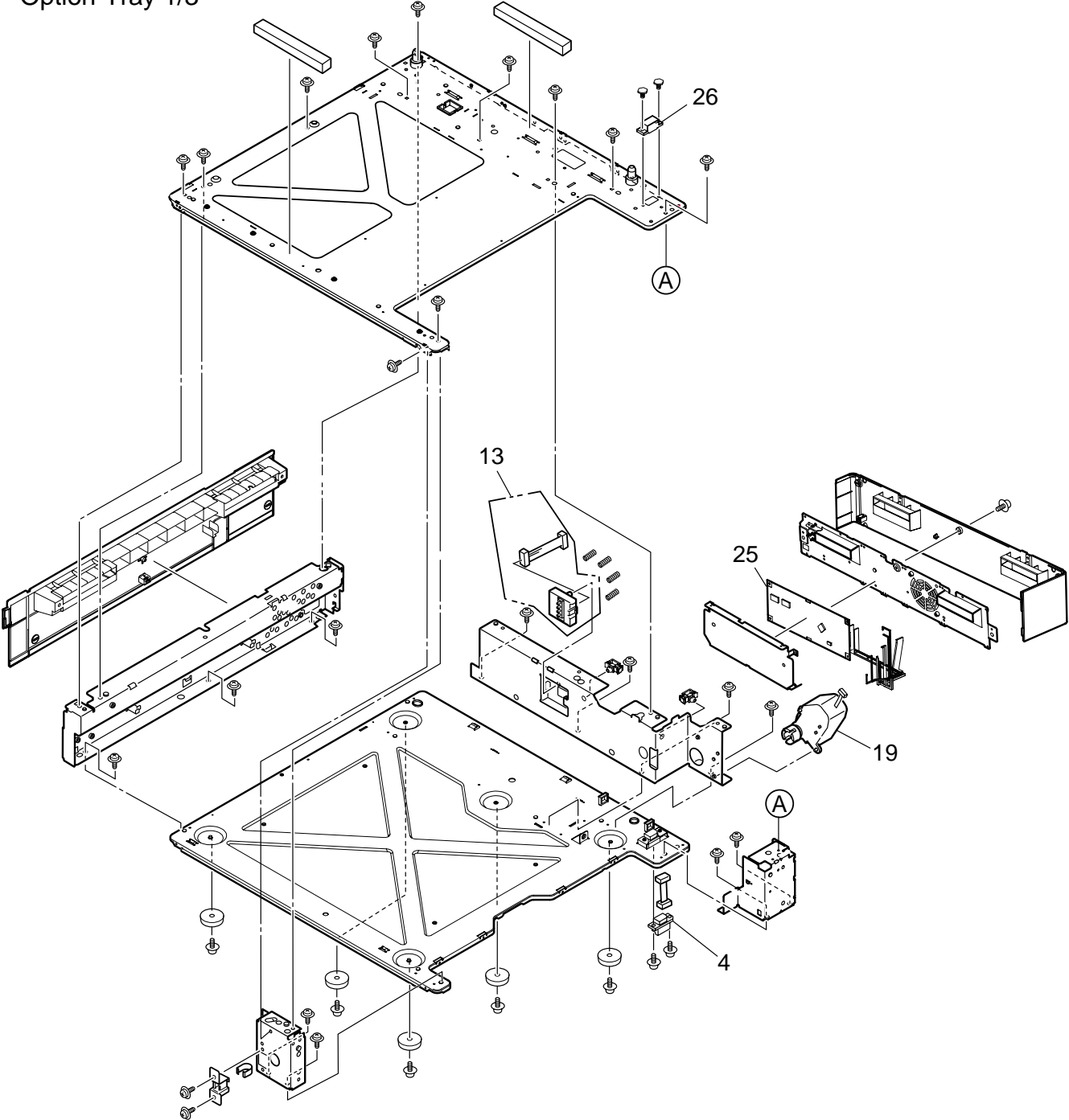
No.	Parts No.	Name	Remarks
1	43236201	ADF PAPER SUPPORT	
2	43236301	ADF PAPER STOPPER	
3	43236401	ASS'Y,PAD	
4	43236501	PCBA(for ADF)	
5		ASS'Y,HINGE,HEAVY	
6		ASS'Y,HINGE,LIGHT	
7	43236901	ADF UNIT	
8	43237001	ASS'Y,TRAY	
9	43238301	ASS'Y,ADF ROLLER	

FLATBED Unit

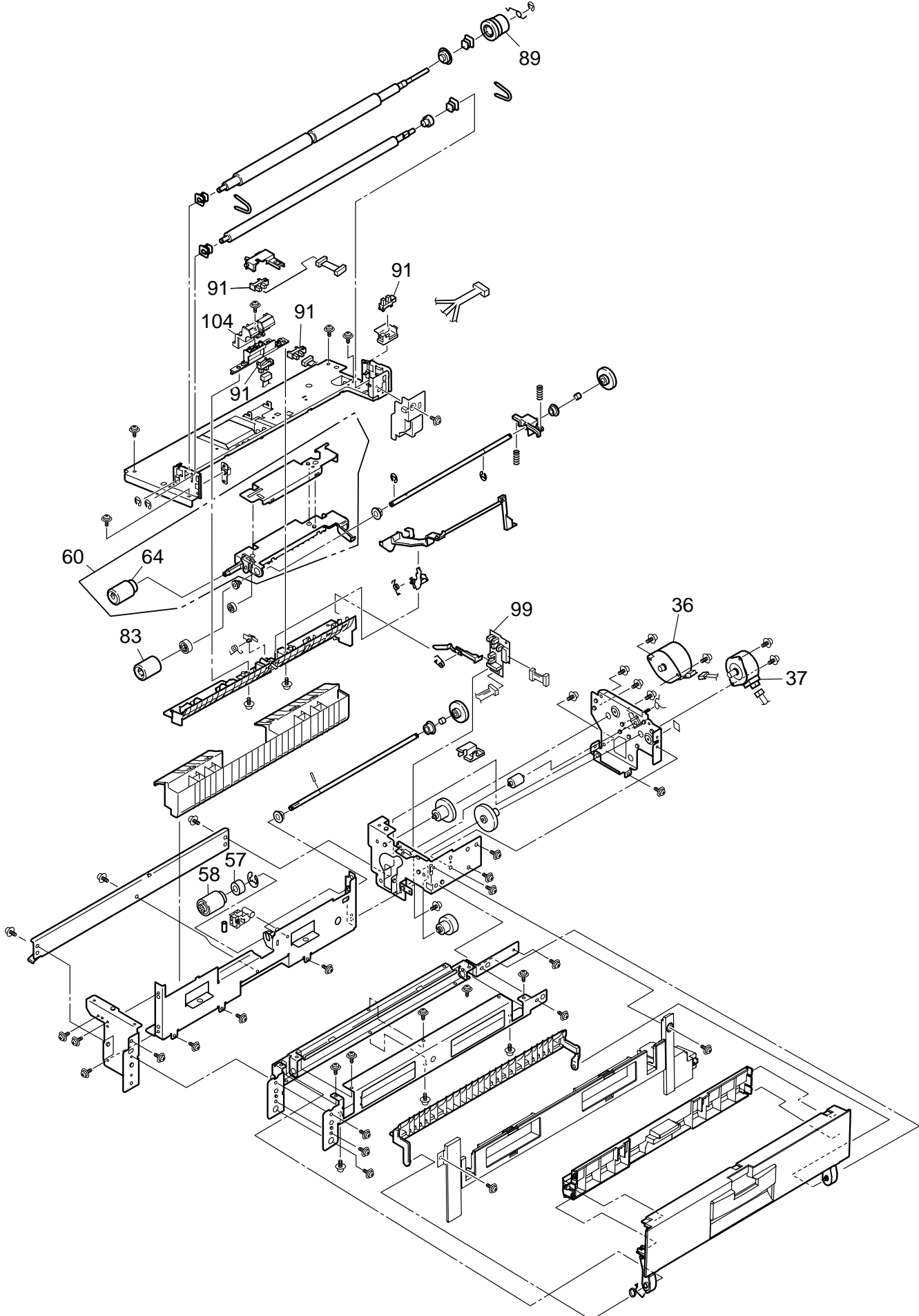


No.	Parts No.	Name	Remarks
1	43237101	COVER PANEL RIGHT ASSY	
2		COVER PANEL LEFT ASSY	
3	43237301	LCD ASSY	
4		COVER SPACER PANEL ASSY	
5	43237501	FLATBED UNIT	
6	43237601	ASS'Y,MAIN BOARD	

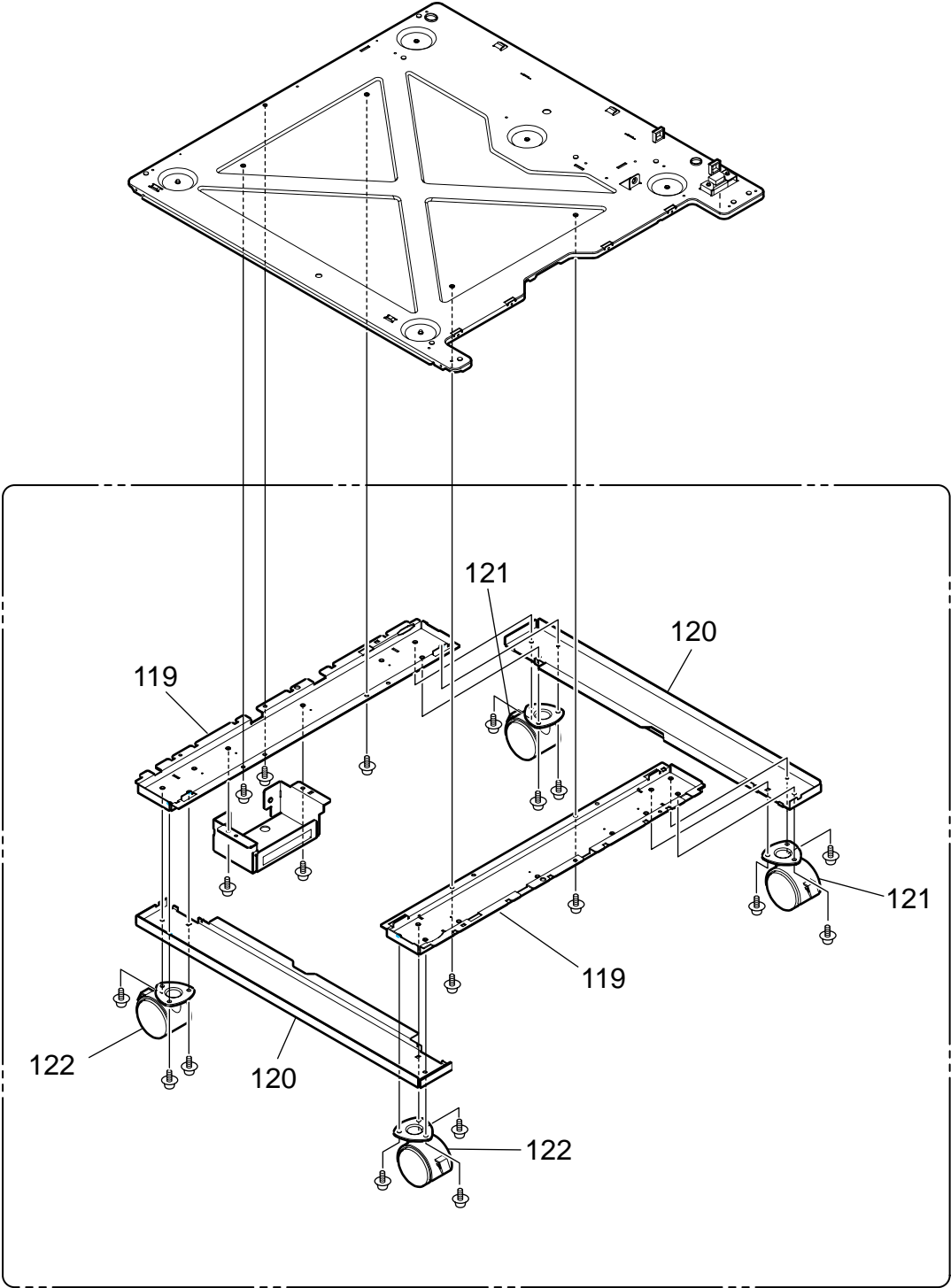
Option-Tray 1/3



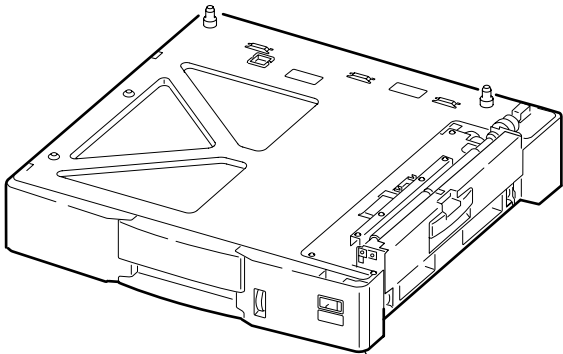
Option-Tray 2/3



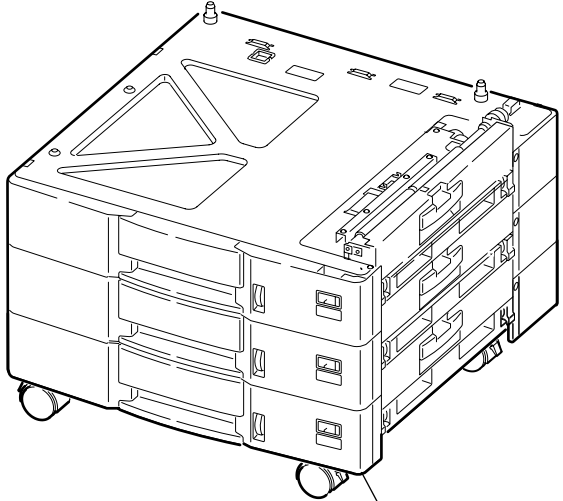
Option-Tray 3/3



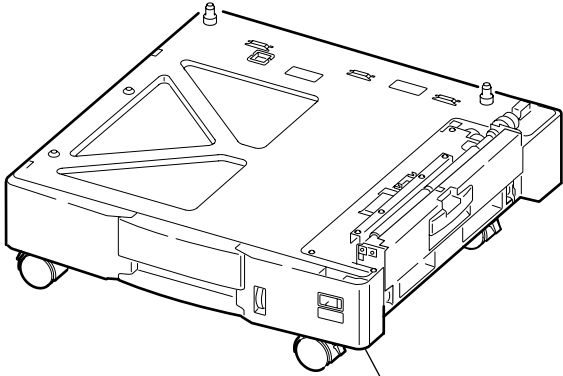
The second / third tray with casters and the lowest tray of the high-capacity tray only.



144 or 145 or 146 or 147



148 or 149 or 150 or 151



152

Option Trays Hi Cap Feeder

	Parts No.	Name	Remarks
4	56731640	IMSA-9714N-14Z02 Connector-SQR -	
13	42694102	Sensor Assy(2nd TRY)	Assy(Include:No.14-16)
19	42694602	Geard-Motor(Optional)	
25	42869611	OR-Board Assy.-V72	
26		IMSA-9714N-14Z03 Connector-SQR -	
36	42629401	Motor-Pulse-Fuser	
37	42058201	Motor-Resist	
57		Torque-Limiter-OTLV	
58	41766501	Roller-Feed	
60	42699001	Roller Assy.-Pick-Up	Assy(Include:No.61-64)
64	42699401	Roller-Pick-Up	
83	43000601	Roller-Feed-NOW	
89	42863403	Gear-Assy-Clutch	
91	40135301	Photo-Interrupter	
99	42868401	OR-S2C	
119		Plate-Base-Caster-V	with Caster
120		Plate-Base-Caster-H	with Caster
121		Caster(Optional LCF)	with Caster
122		Caster(Optional LCF)	with Caster
129	42703601	Case-Cassette-Assy.	
138		Label-Tray-No.(OKI)	
140		Label-Tray-A	
142		Label-Tray-B	
144		PX723-Option-Tray(ODA)	
148		PX723-LCF(ODA)	