

# CX3641MFP Scanner Spare Parts Illustration Manual

080325A

## Copyright Information

---

Copyright © 2008 by Oki Data. All Rights Reserved

## Disclaimer

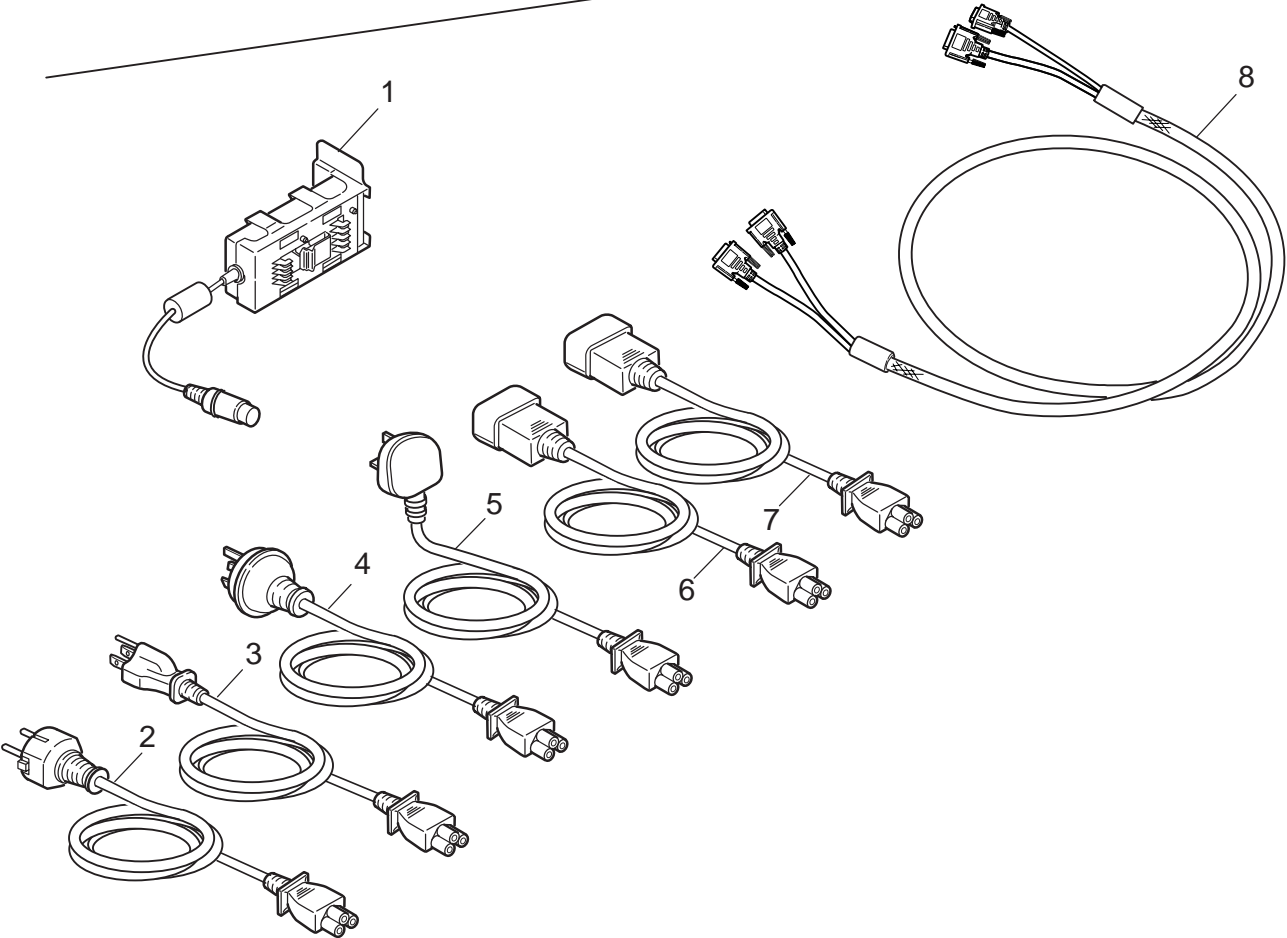
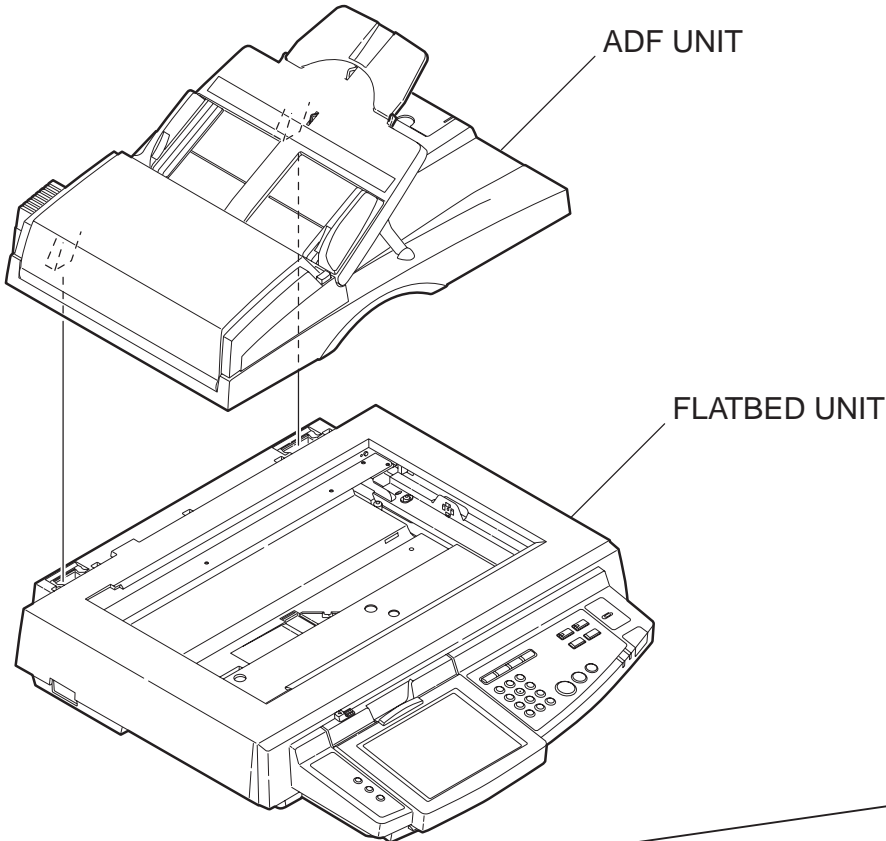
---

Every effort has been made to ensure that the information in this document is complete, accurate, and up-to-date. The manufacturer assumes no responsibility for the results of errors beyond its control. The manufacturer also cannot guarantee that changes in software and equipment made by other manufacturers and referred to in this guide will not affect the applicability of the information in it. Mention of software products manufactured by other companies does not necessarily constitute endorsement by the manufacturer.

While all reasonable efforts have been made to make this document as accurate and helpful as possible, we make no warranty of any kind, expressed or implied, as to the accuracy or completeness of the information contained herein.

The most up-to-date drivers and manuals are available from the web site:  
<http://www.okiprintingsolutions.com>

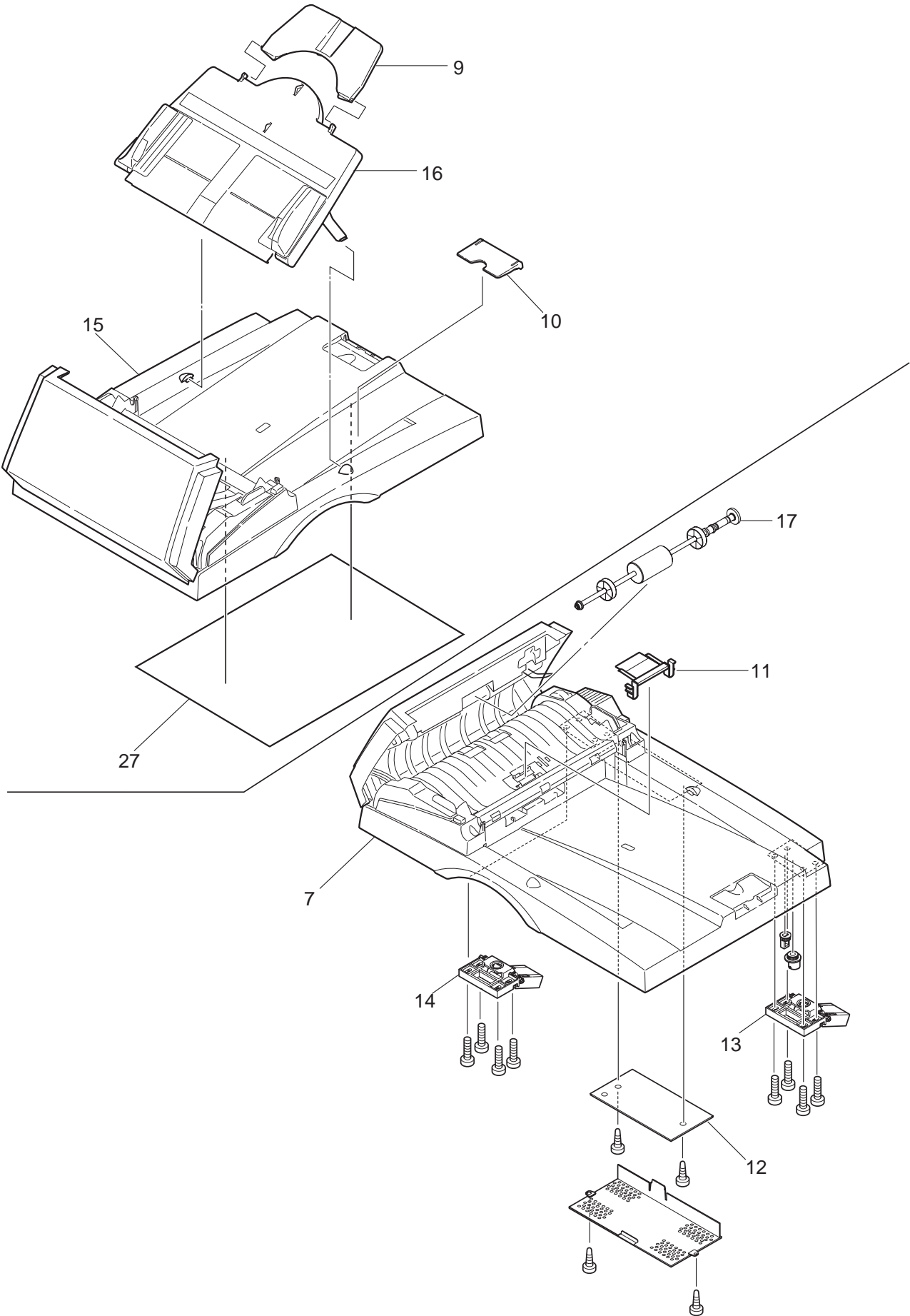
Parts Layout



Parts Layout

No.	Part No.	Part Name	Remarks
1	43758701	ADAPTER HOLDER	ROHS
2		AC POWER CORD	Europe
3	43758901	AC POWER CORD	USA
4		AC POWER CORD	Australia
5		AC POWER CORD	OEL
6	43759201	AC power cord(C5-C14)	USA
7		AC power cord(C5-C14)	Europe
8	43804001	DVI-DVI Cable	

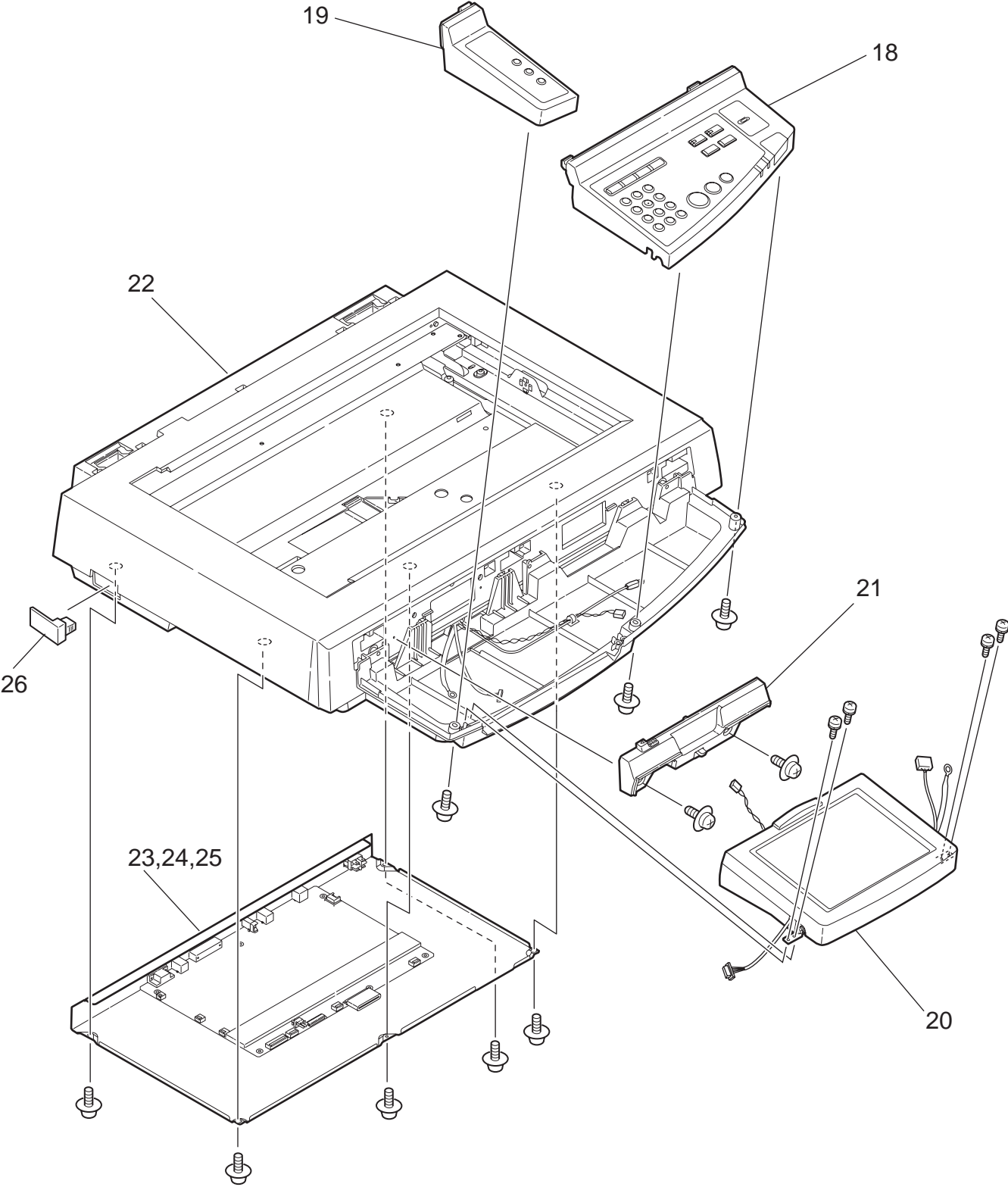
ADF Unit



ADF Unit

No.	Part No.	Part Name	Remarks
9		ADF PAPER SUPPORT	
10		ADF PAPER STOPPER	
11	43774401	ASS'Y-PAD	
12	43774501	PCBA-ABA61	
13	43774601	HINGE-FB	
14	43774701	HINGE-ADF	
15	43774801	ASS'Y-ADF	
16		ASS'Y_INPUT TRAY	
17	43760101	ASS'Y_ADF_ROLLER	
27		BACKGROUND-SHEET	

FLATBED Unit



Flatbed Unit

No.	Part No.	Part Name	Remarks
18		RIGHT PANEL	
19		LEFT PANEL	
20	43775101	LCM MODULE	
21		LCM LOCK	
22	43775301	FLATBED W/O Panel LCM	
23	43775401	MAIN BOARD	USA
24		MAIN BOARD	Australia
25		MAIN BOARD	Europe
26		LOCK SWITCH COVER	