

CX3535 / CX4545 MFP

MR-3022
Reversing Automatic
Document Feeder

V2
10-11-13

Illustrated Parts Manual

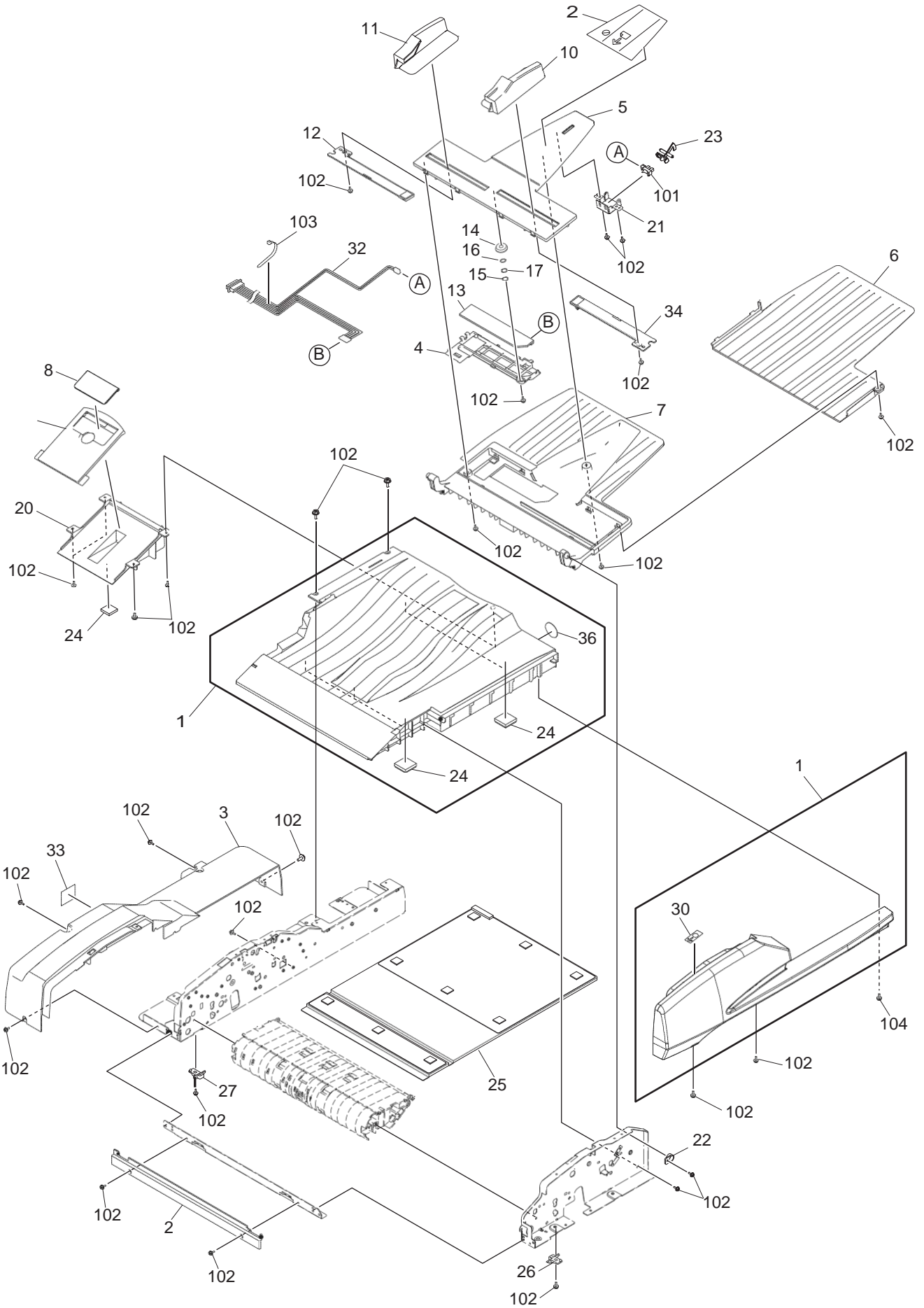
This Illustrated Parts Manual is to be used for part identification. Part numbers for the most often used parts are listed. To obtain parts for items that do not list an associated part number contact:

Oki Data Technical Support at 866.654.1725
for specific part numbers and part ordering information

Oki Data Confidential

CONTENTS

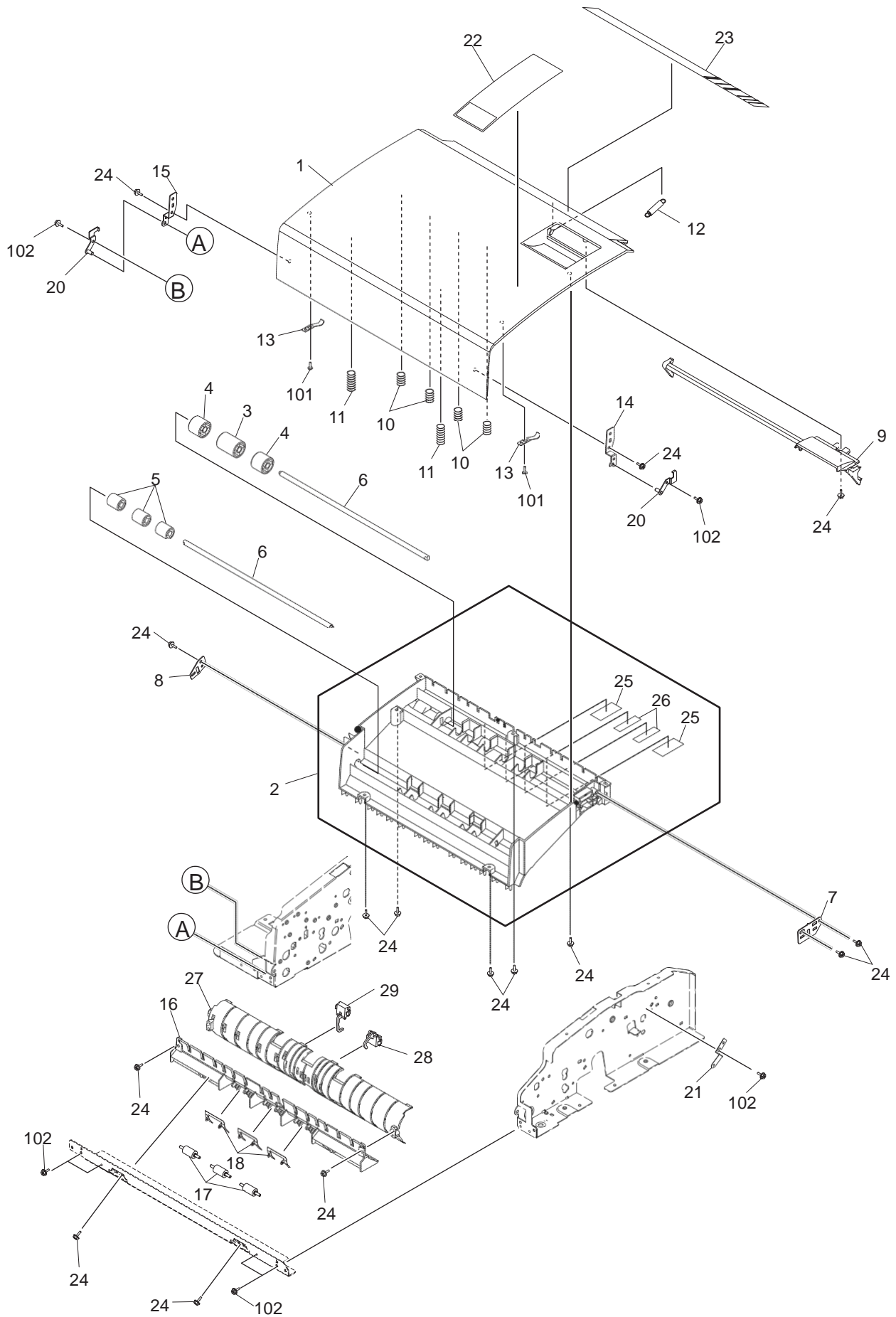
COVER-ASY	1
GUIDE-OPEN-ASY	2
FEED-1-ASY	3
FEED-2-ASY	4
FEED-3-ASY	5
FEED-DRIVE-ASY	6
HINGE-ASY.....	7
ACCESSARY & ROLLER-KIT.....	11
DOWNLOAD_JIGS	12



ITEM No.	PART No.	PART NAME	Q'TY / PAGE	Q'TY / PACK	REMARKS
1		ASYS-COV-FRONT-H502	1	1/PP	
2		COV-LEFT-U	1	1/PP	
3		ASYS-COV-REAR-H502	1	1/PP	
4		COVER-PWA-TRAY-SIZE-TQ	1	1/D	
5		TRAY-INNER-TQ	1	1/PP	
6		TRAY-MIDDLE	1	1/PP	
7		TRAY-ORIGINAL-PC	1	1/PP	
8		TRAY-SUB-EXT-IN	1	1/P	
9		TRAY-SUB-EXIT-OUT-H502	1	1/P	
10		ASYS-GID-TRY-F-502	1	1/D	
11		ASYS-GID-TRY-R-502	1	1/D	
12		RACK-TRAY-PC	1	1/P	
13		PWA-F-TRAY-623	1	1/S	
14		PINION-18-395	1	1/P	
15		WASHER-6R2X9R5XR13-PL	1	5/P	
16		STW-FT60 T0.25	1	5/P	
17		WASHER-W-6-10	1	10/P	
19		ASYS-TRAY-EXIT-H502	1	1/C	
20		ASYS-HLDR-TRAY-SUB-H502	1	1/PP	
21		HLDR-SENS-LENGTH	1	1/P	
22		HLDR-TRAY-F	1	1/P	
23		ACT-SENSOR-TRAY-H502	1	1/P	
24		ASYS-TAPE-MAGIC	6	1/P	
25		ASYS-SHEET-PLTN	1	1/KP	
26		STOP-SHEET-F-M	1	1/P	
27		STOP-SHEET-R-M	1	1/P	
29		LABEL-CAUTION-TQ	1	1/KP	
30		LABEL-JAM-1-623	1	5/P	
32		HRNS-RUBY-TRAY-623	1	1/P	
33		LBL.W-COV-PS	1	1/P	
34		ASYS-RACK-TRY-PC	1	1/PP	
36		SEAL-HIDE-HDL-HOLE	1	5/P	
101		GP1A73ARJ00F	1	1/P	
102		S/TPP/FHEXM-3X8-NI	28	10/P	
103		SKB-1	1	5/P	
104		S/TPP/BID-3X8-NI	1	10/P	

This Illustrated Parts Manual is to be used for part identification. Part numbers for the most often used parts are listed. To obtain parts for items that do not list an associated part number contact:

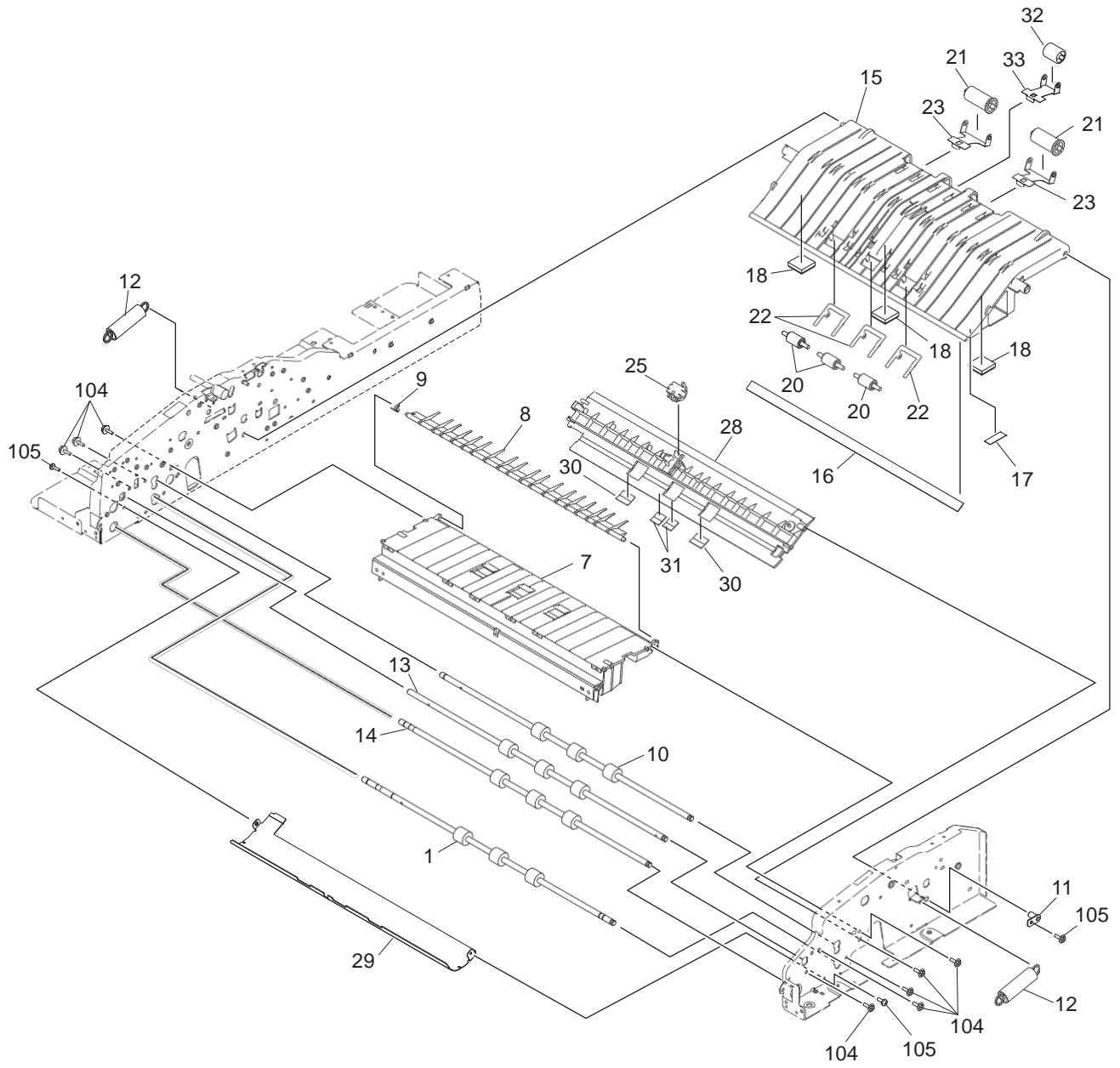
Oki Data Technical Support at 866.654.1725
for specific part numbers and part ordering information



ITEM No.	PART No.	PART NAME	Q'TY / PAGE	Q'TY / PACK	REMARKS
1		COV-JAM	1	1/PP	
2		ASYS-GID-COV-JAM-M	1	1/PP	
3		ROL-IDL-D22-L	1	1/P	
4		ROL-IDL-D22	2	1/P	
5		ROL-IDL-D16	3	1/P	
6		SFT-IDL-ALNG	2	1/P	
7		PLT-SFT-IDL-ALN	1	1/P	
8		PLT-SFT-D16-RD	1	1/P	
9		LEVER-COV-OPEN	1	1/PP	
10		SPG-C-ROL-ALNG	4	1/P	
11		SPG-C-ROL-MIDL	2	1/P	
12		SPG-E-COV-JAM	1	1/P	
13		SPG-F-GID-SB-PUSH	2	1/P	
14		BRKT-COV-JAM-F	1	1/P	
15		BRKT-COV-JAM-R	1	1/P	
16		ASYS-GID-RI-D-N	1	1/KP	
17		ASYS-ROL-IDL-D10	3	1/P	
18		SPG-F-READ-IN-1.4	3	1/P	
20		ASYS-PLT-COV-JAM	2	1/P	
21		SPG-F-EARTH-EXIT	1	1/P	
22		LABEL-CLN-623	1	1/KP	
23		LABEL-SIZE-502	1	1/KP	
24		S/TPP/FHEXM-3X8-NI	15	10/P	
25		CUSHION-RGST-1-L	2	1/P	
26		CUSHION-RGST-3-L	2	1/P	
27		ASYS-GID-RI-U-M	1	1/KP	
28		SNSR-RADF-EXIT-430	1	1/C	
29		SNSR-RADF-READ-502	1	1/C	
101		S/TPP/BID-3X8-NI	2	10/P	
102		SCR-M3X6BISR-NI	5	10/P	

This Illustrated Parts Manual is to be used for part identification. Part numbers for the most often used parts are listed. To obtain parts for items that do not list an associated part number contact:

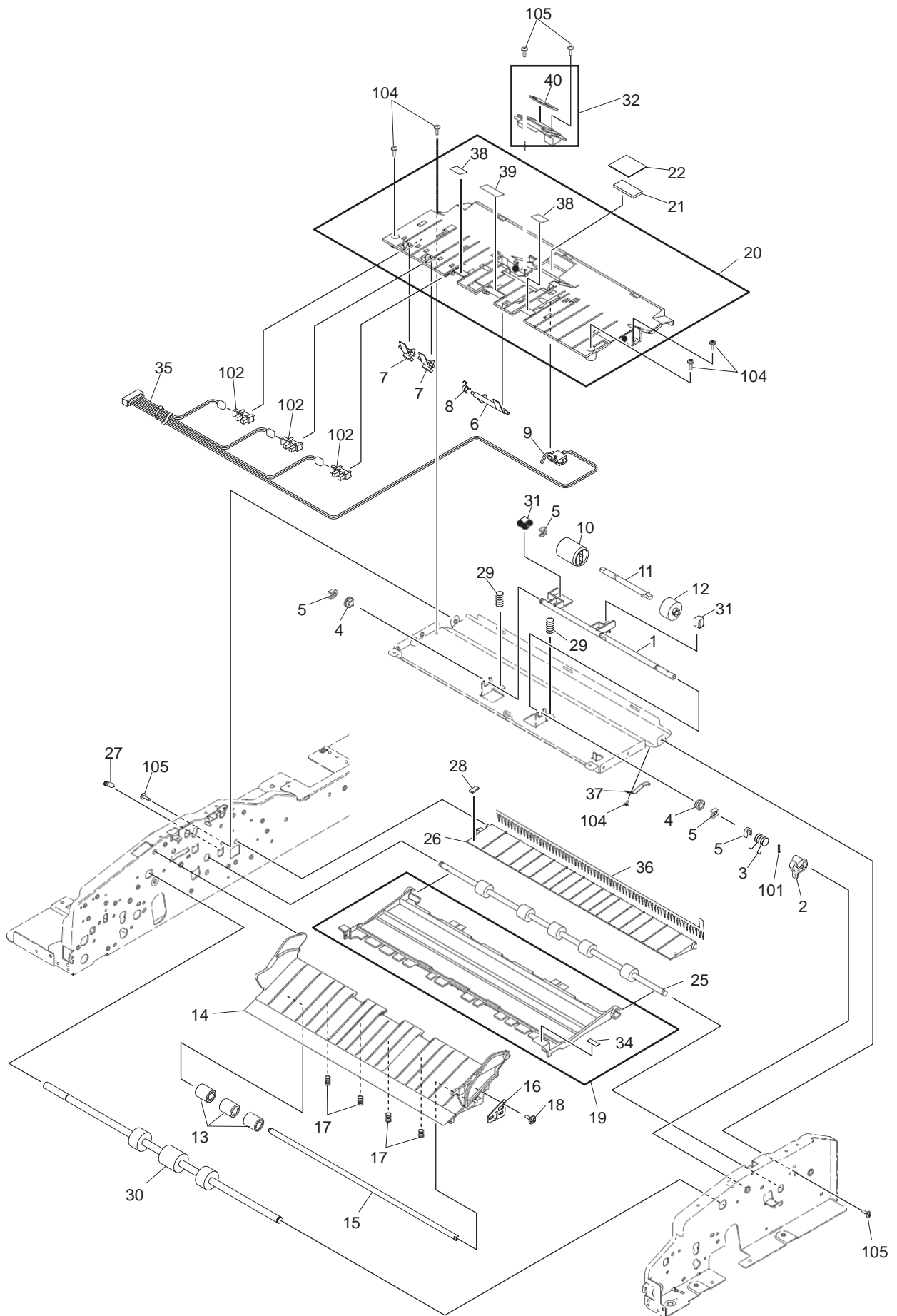
Oki Data Technical Support at 866.654.1725
for specific part numbers and part ordering information



ITEM No.	PART No.	PART NAME	Q'TY / PAGE	Q'TY / PACK	REMARKS
1		ROL-READ-OUT	1	1/KP	
7		GUIDE-RETURN-M	1	1/PP	
8		FLAP-RETURN	1	1/KP	
9		SPG-T-FLP-SB	1	1/P	
10		ROL-SB-ALNG	1	1/KP	
11		ASYS-PLT-GID-RO	1	1/P	
12		SPG-E-READ-OUT-D	2	1/P	
13		ROL-READ-MAIN-S	1	1/KP	
14		ROL-READ-IN-S	1	1/KP	
15		GUIDE-READ-OUT-D-PC	1	1/PP	
16		FILM-READ-OUT	1	1/KP	
17		LABEL-JAMOP-3	1	5/P	
18		ASYS-TAPE-MAGIC	3	1/P	
20		ASYS-ROL-IDL-D12	3	1/P	
21		ROL-IDL-D16-EXT	2	1/P	
22		SPG-F-READ-OUT-1.6-M	3	1/C	
23		SPG-F-IDL-EXIT	2	1/P	
25		SNSR-RADF-EXIT-430	1	1/C	
28		GUIDE-READ-OUT-U	1	1/PP	
29		GUIDE-PLTN-M	1	1/PP	
30		FILM-READ-OUT-1	2	5/P	
31		FILM-READ-OUT-2	2	5/P	
32		ROL-IDL-D16-EXT-PC	1	1/P	
33		SPG-F-IDL-EXIT-PC	1	1/P	
104		S/TPP/FHEXM-3X8-NI	3	10/P	
105		SCR-M3X6BISR-NI	3	10/P	

This Illustrated Parts Manual is to be used for part identification. Part numbers for the most often used parts are listed. To obtain parts for items that do not list an associated part number contact:

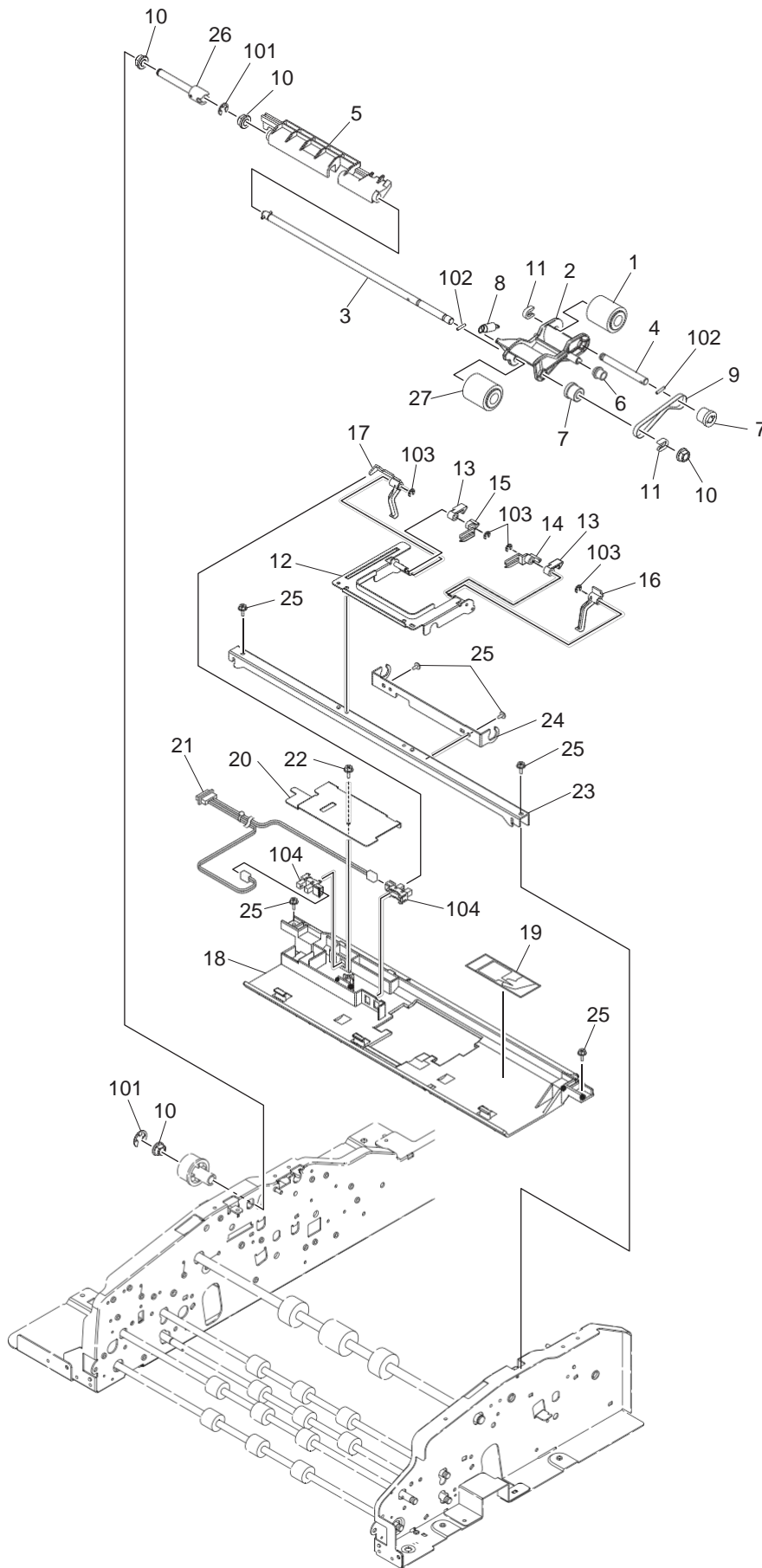
Oki Data Technical Support at 866.654.1725
for specific part numbers and part ordering information



ITEM No.	PART No.	PART NAME	Q'TY / PAGE	Q'TY / PACK	REMARKS
1		LEVER-CAM-RET	1	1/KP	
2		ARM-LVR-CAM-RET	1	1/P	
3		SPG-T-LVR-CAM-RET	1	1/P	
4		BUSH-6-POM	1	5/P	
5		STOP-RING-6-5-POM	4	5/P	
6		LEVER-SENS-ALNG	1	1/P	
7		LEVER-SENS-WIDTH	2	1/P	
8		SPG-T-LVR-ALNG	1	1/P	
9		SNSR-RUBY-LENG-502	1	1/C	
10	53363901	ASYS-ROL-RET (Maintenance Kit Item)	1	1/P	
11		ASYS-SFT-RET-1	1	1/P	
12		TL-SEP-ROL-Y-N	1	1/P	
13		ROL-IDL-D16	3	1/P	
14		ASYS-GID-SB-J-P	1	1/PP	
15		SFT-IDL-D16	1	1/P	
16		PLT-SFT-IDL-D16	1	1/P	
17		SPG-C-SB-ALNG	4	1/P	
18		S/TPP/FHEXM-4X10-NI	1	10/P	
19		ASYS-GID-EXT-U-PC	1	1/KP	
20		ASYS-GID-FD-D-P-M	1	1/PP	
21	51715301	CUSION-BRAKE-P	1	1/P	
22	51036901	SHEET-BRAKE-P	1	1/P	
25		ROL-EXIT-PC-PS	1	1/KP	
26		FLAP-EXIT	1	1/PP	
27		SPG-E-FLAP-EXIT	1	1/P	
28		CUSH-FLAP-EXIT	1	5/P	
29		SPG-C-ROL-RET-5UP	2	1/P	
30		ROL-ALNG-PS	1	1/KP	
31		HLDR-SFT-RET	2	1/P	
32	50244301	ASYS-COV-RET-H502	1	1/PP	
34		LABEL-JAMOP-2	1	5/P	
35		HRNS-RUBY-ALIGN2-623	1	1/P	
36		BRUSH-ERS	1	1/KP	
37		SPG-F-EARTH-BRS	1	1/P	
38		FILM-ALNG-IN-D-S-0.05	2	1/P	
39		FILM-ALNG-IN-D-L-0.05	1	1/P	
40	51715302	PAD-COV-RET-H502	1	1/P	
101		PIN-2X10	1	10/P	
102		GP1A73ARJ00F	3	1/P	
104		SCR-M3X6BISR-NI	5	10/P	
105		S/TPP/BID-3X8-NI	2	10/P	

This Illustrated Parts Manual is to be used for part identification. Part numbers for the most often used parts are listed. To obtain parts for items that do not list an associated part number contact:

Oki Data Technical Support at 866.654.1725
for specific part numbers and part ordering information



ITEM No.	PART No.	PART NAME	Q'TY / PAGE	Q'TY / PACK	REMARKS
1	53364001	ASYS-ROL-FEED (Maintenance Kit Item)	1	1/P	
2		ASYS-HLDR-PICK	1	1/P	
3		ASYS-SFT-FEED	1	1/D	
4		SFT-FEED-PIC	1	1/P	
5		LVR-PICK-JOINT	1	1/PP	
6		ROL-TNSN-PICK	1	1/P	
7		PULLY-1R5GT26-6	2	1/P	
8		SPG-E-PICKUP	1	1/P	
9		BELT-141-1R5GT-4	1	1/P	
10		BUSH-6-NU4	4	1/P	
11		STOP-RING-6-5-POM	2	5/P	
12		ASYS-BKT-STOP	1	1/P	
13		ARM-STOPPER	2	1/P	
14		LVR-STOPPER-F	1	1/P	
15		LVR-STOPPER-R	1	1/P	
16		STPR-PICK-F	1	1/P	
17		STPR-PICK-R	1	1/P	
18		GUIDE-FEED-U-M	1	1/PP	
19		LABEL-INST-623	1	1/KP	
20		PLT-COV-FEED	1	1/P	
21		HRNS-RUBY-FEED2-623	1	1/P	
22		S/TPP/FHEXM-3X8-NI	1	10/P	
23		STAY-FEED-UP	1	1/P	
24		BRKT-FEED-UP	1	1/P	
25		SCR-M3X6BISR-NI	5	10/P	
26	53364001	ASYS-CPG-FED	1	1/P	
27 A		ASYS-ROL-FEED (Maintenance Kit Item)	1	1/P	
27 B		ASYS-ROL-FEED ASYS-ROL-FEED-RU RR/E-	1	1/P	
27 C		5-SS	1	1/P	
101			2	10/P	
102		PIN-2X10	2	10/P	
103		RR/E-3-SS	4	10/P	
104		GP1A73ARJ00F	2	1/P	

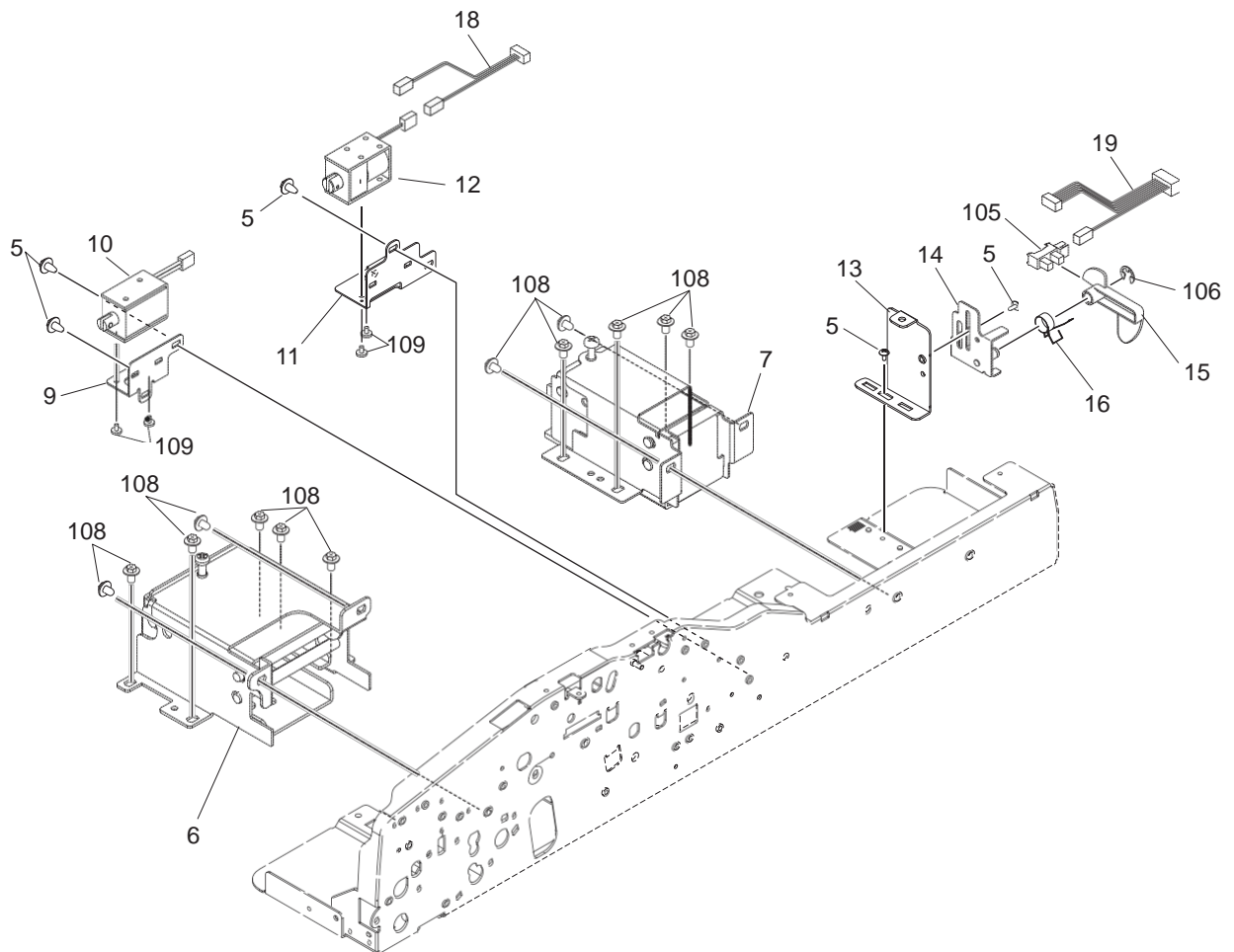
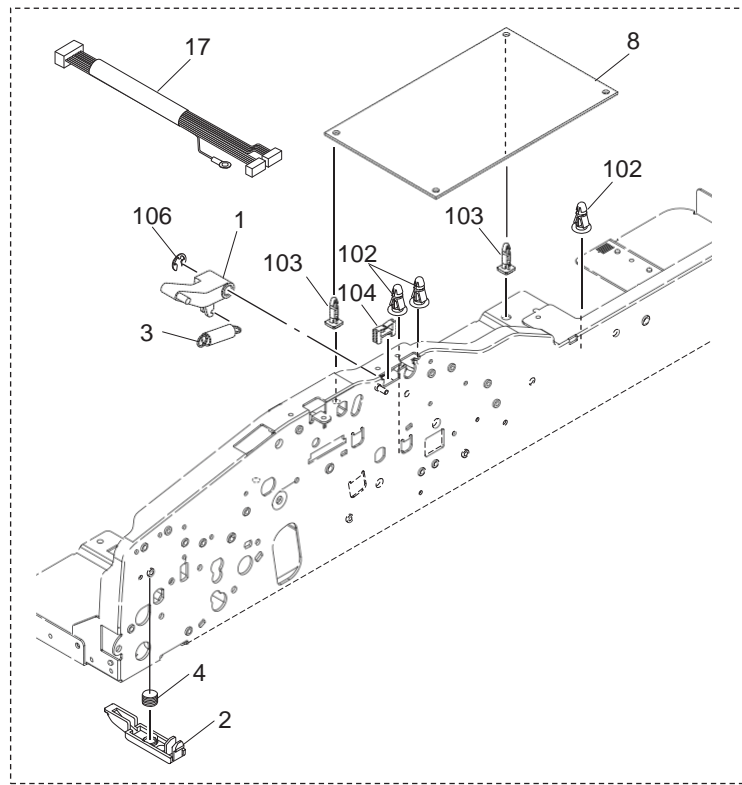
This Illustrated Parts Manual is to be used for part identification. Part numbers for the most often used parts are listed. To obtain parts for items that do not list an associated part number contact:

Oki Data Technical Support at 866.654.1725
for specific part numbers and part ordering information

ITEM No.	PART No.	PART NAME	Q'TY / PAGE	Q'TY / PACK	REMARKS
1		ASYS-BRKT-R-FED	1	1/P	
2		ROL-TNSN-FEED	2	1/P	
3		SPG-F-COV-JAM-SW	1	1/P	
4		DE2L-BAAA	1	1/P	
7		ESC-0912	1	10/P	
8		HRNS-RADF-FEED1-502	1	1/P	
9		SCREW20*D23	1	10/P	
10		PLT-MOT-FEED-643	1	1/P	
11	56525403	MOTR_S-RUBY-FEED-623	1	1/C	
12		SPG-E-MOT-FEED	1	1/P	
13		PLT-MOT-REED-643	1	1/P	
14	56525402	MOTR_S-RUBY-RD-623	1	1/C	
15		PLT-MOT-EXIT	1	1/P	
16	56525401	MOTR_S-RUBY-EXIT-623	1	1/C	
17		SCR-M3X6BISR-NI	20	10/P	
18		LF-1260ZZ	2	1/P	
19		PULLY-1R5GT40-6-W	1	1/P	
21		BELT-207-1R5GT-8	1	1/P	
22		BELT-150-1R5GT-10	1	1/P	
23		BUSH-0610*95N-P	2	5/P	
24		PULLY-1R5GT60-6	1	1/P	
25		BELT-123-1R5GT-6	1	1/P	
26		PULLY-1R5GT44-6-OW	1	1/P	
27		PULLY-1R5GT40-8-OW	1	1/P	
28		BELT-292R5-1R5GT-8	1	1/P	
29		DIAL-RD-JAM	1	1/P	
30		SPG-E-MOT-READ	1	1/P	
31		PLT-FAN-READ	1	1/P	
32		FAND-6015-390	1	1/D	
33		BRKT-ROL-READ-M	1	1/P	
34		ASYS-PLT-TNSN	1	1/P	
35		HRNS-RUBY-MOT-623	1	1/P	
36		SPG-E-TNSN-READ	1	1/P	
37		FLANGE-18-N	1	1/P	
38		PULLY-1R5GT40-6-C	1	1/P	
39		BUSH-6-NU4	8	1/P	
40		BUSH-8X12X8F-NU4	3	5/P	
41		STOP-RING-6-5-POM	6	5/P	
42		BUSH-6-POM	2	5/P	
43		PULLY-1R5GT40-6-SCW	2	1/P	
101		RR/E-5-SS	4	10/P	
102		PIN-2X10	3	10/P	
103		S/TPS/BID-4X8-NC	4	10/P	
104		DS-02S	2	5/P	
105		S/PAN/SWWP-M3X20-NI	2	10/P	
106		DS-2	1	5/P	
107		S/SET/K-M4X6-B	3	10/P	
108		RR/E-7-SS	2	10/P	
109		S/PAN-M3X8-NI	2	10/P	

This Illustrated Parts Manual is to be used for part identification. Part numbers for the most often used parts are listed. To obtain parts for items that do not list an associated part number contact:

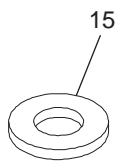
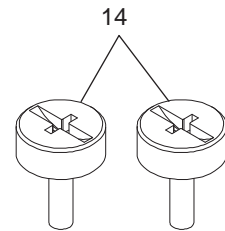
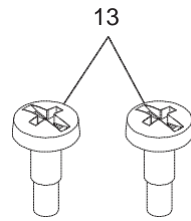
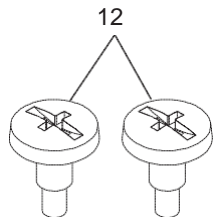
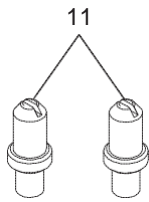
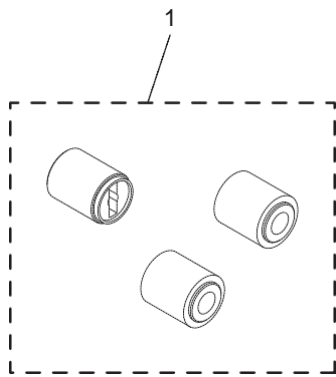
Oki Data Technical Support at 866.654.1725
for specific part numbers and part ordering information



ITEM No.	PART No.	PART NAME	Q'TY / PAGE	Q'TY / PACK	REMARKS
1		LEVER-PICK-SOL	1	1/P	
2		CAP-APS-R	1	1/P	
3		SPG-E-PICK-SOL	1	1/P	
4		SPG-C-CAP-APS-R	1	5/P	
5		SCR-M3X6BISR-NI	2	10/P	
6		HINGE-L-H502	1	1/D	
7		HINGE-R-623	1	1/D	
8 A		ASYB-PWA-DLG-L-502S	1	1/SB	
8 B	55120607	ASYB-PWA-DLG-H-502S	1	1/SB	
9		PLT-SND-FLAP	1	1/P	
10		SOL-RADF-GATE-430	1	1/D	
11		PLT-SOL-PICK	1	1/P	
12		SOL-RUBY-PICKUP-623	1	1/D	
13		PLT-INTRLOK-H502	1	1/P	
14		ASYS-PLT-OPEN-N	1	1/P	
15		LVR-OPEN-SW	1	1/P	
16		SPG-T-OPEN-SW	1	1/P	
17 A		HRNS-RADF-SCIF-659	1	1/P	
17 B		HRNS-RUBY-SCIF-623	1	1/P	
18		HRNS-RUBY-SOL-623	1	1/P	
19 A		HRNS-RADF-ALIGN1-L-502	1	1/P	
19 B		HRNS-RUBY-ALIGN1-623	1	1/P	
102		ELS-8U	3	5/P	
103		KGLS-8RT	2	5/P	
104		DS-2	1	5/P	
105		GP1A73ARJ00F	1	1/P	
106		RR/E-5-SS	2	10/P	
108		S/TPS/FHEX/R-4X6-ZU3	13	10/P	
109		S/BID-M3X4-NI	4	10/P	

This Illustrated Parts Manual is to be used for part identification. Part numbers for the most often used parts are listed. To obtain parts for items that do not list an associated part number contact:

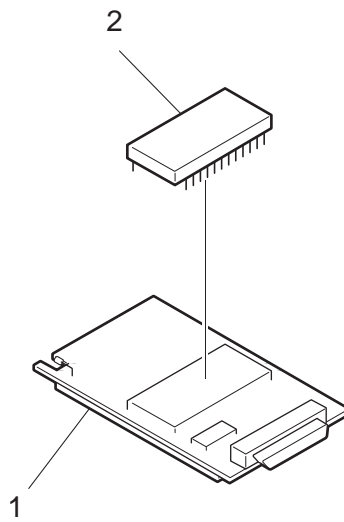
Oki Data Technical Support at 866.654.1725
for specific part numbers and part ordering information



ITEM No.	PART No.	PART NAME	Q'TY / PAGE	Q'TY / PACK	REMARKS
1	58285901	DF-KIT-3018	1	1/P	
11		SFT-PA-PIN-R	2	1/P	
12		SCR-HINGE-A	2	5/P	
13		SCR-HINGE-B	2	5/P	
14		SCR-HINGE-C	2	5/P	
15		W/PL/PJO-6-SS	1	10/P	

This Illustrated Parts Manual is to be used for part identification. Part numbers for the most often used parts are listed. To obtain parts for items that do not list an associated part number contact:

Oki Data Technical Support at 866.654.1725
for specific part numbers and part ordering information



ITEM No.	PART No.	PART NAME	Q'TY / PAGE	Q'TY / PACK	REMARKS
1		K-PWA-DLM-320	1	1/C	
2		WRROM-502H-101	1	1/S	

This Illustrated Parts Manual is to be used for part identification. Part numbers for the most often used parts are listed. To obtain parts for items that do not list an associated part number contact:

Oki Data Technical Support at 866.654.1725
for specific part numbers and part ordering information