

CX3535 / CX4545 MFP

MJ-6103

Hole Punch Unit

Illustrated Parts Manual

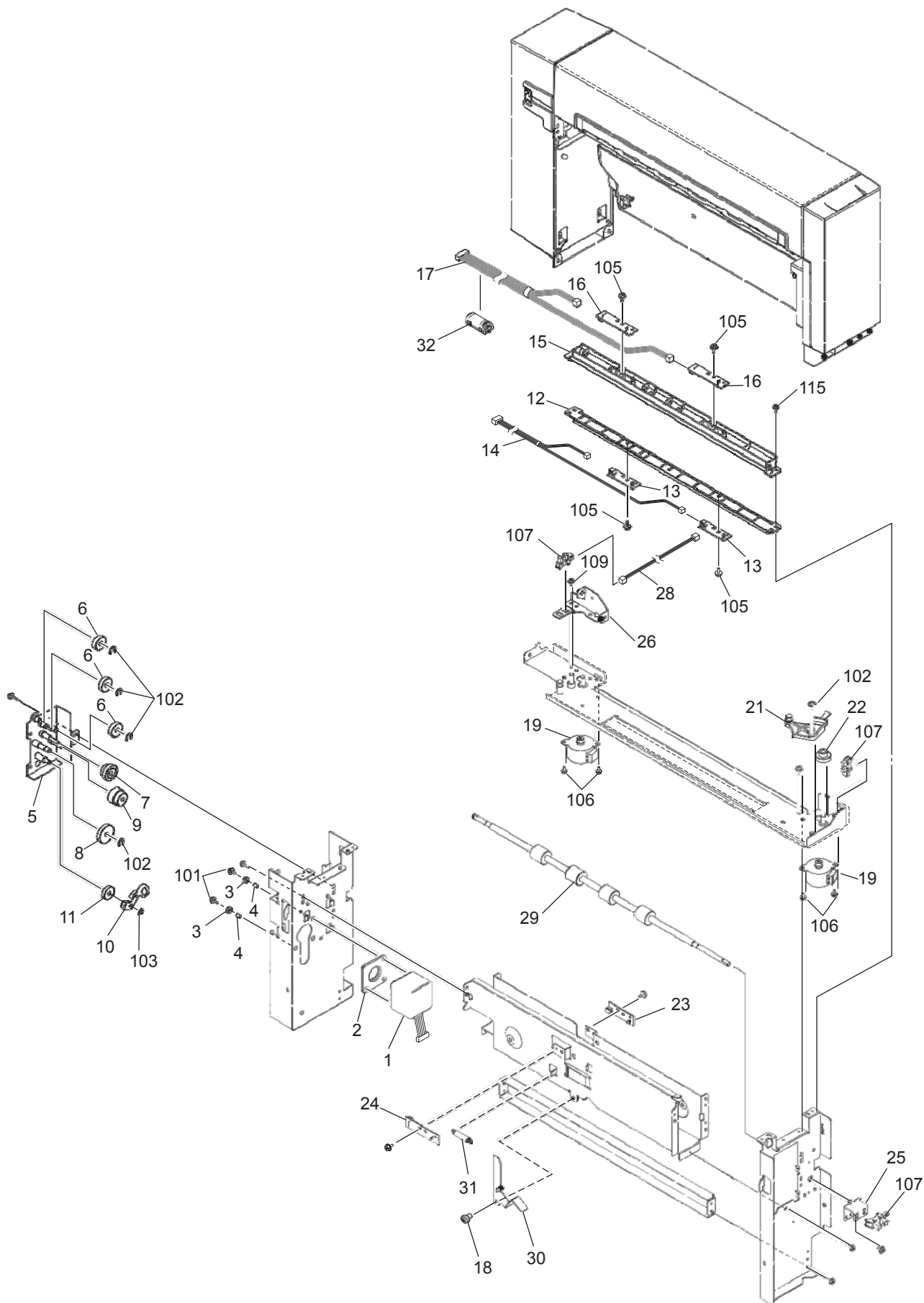
050213A

This Illustrated Parts Manual is to be used for part identification. Part numbers for the most often used parts are listed. To obtain parts for items that do not list an associated part number contact:

Oki Data Technical Support at 866.654.1725
for specific part numbers and part ordering information

CONTENTS

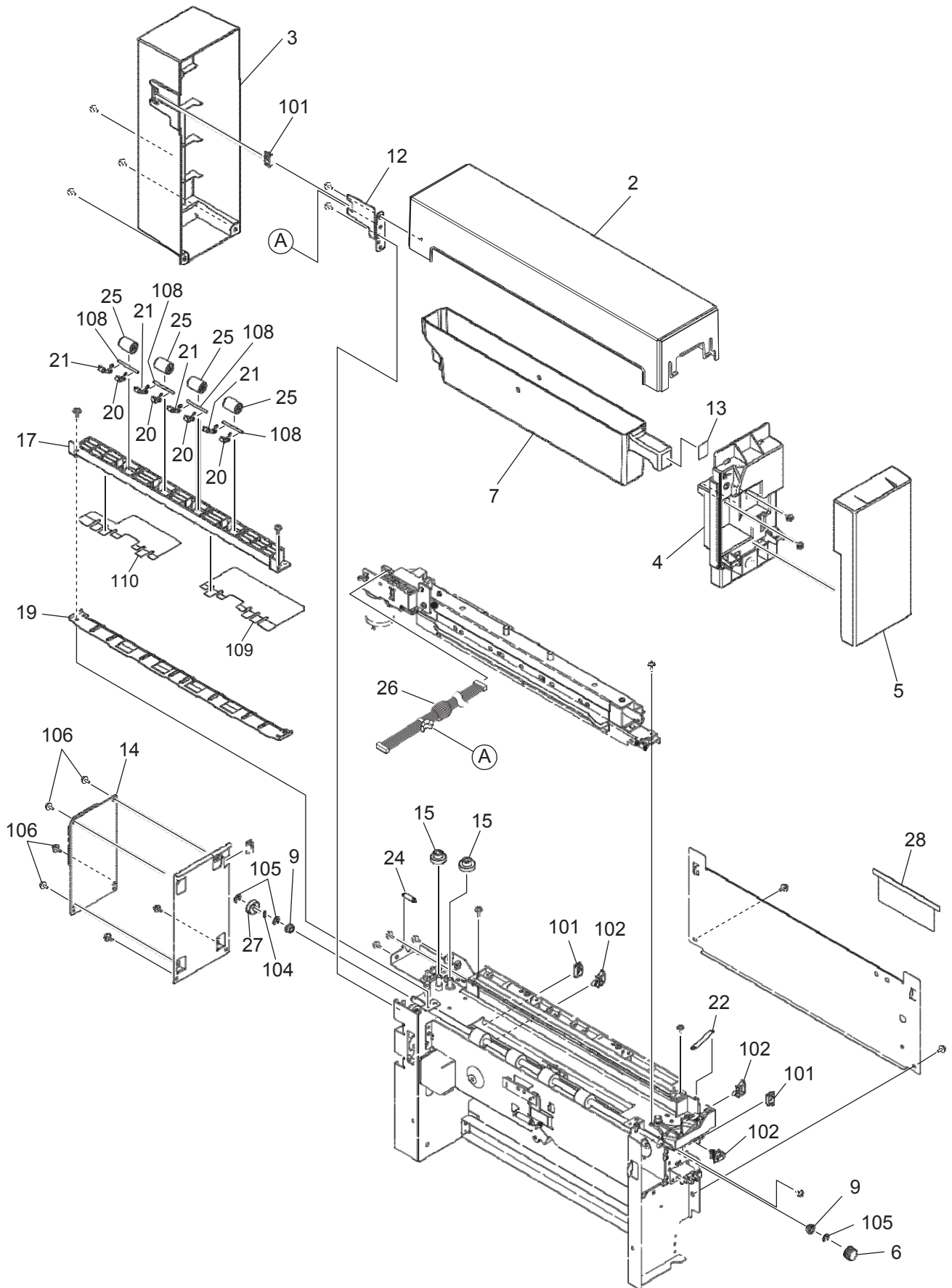
FRAMR-ASYB.....	1
PUNCH-ASYB-1	2
PUNCH-ASYB-2	3
ACCESSORIES	4
DOWNLOAD JIGS	20
HARNESS.....	31



ITEM No.	PART No.	PART NAME	Q'TY / PAGE	Q'TY / PACK	REMARKS
1	56527209	ASYB-MOTR-FEED-P	1	1/C	
2		DUMPER_MOTOR_4212	1	1/P	
3		DUMPER_SCREW	2	5/P	
4		3382330-30065	2	5/P	
5		ASYS-BRKT-FEED-GEAR-P	1	1/D	
6		GEAR-FEED-LOW-8	3	1/P	
7		GEAR-FEED-LOW-3	1	1/P	
8		GEAR-FEED-LOW-2	1	1/P	
9		GEAR-FEED-LOW-1	1	1/P	
10		ASYS-GEAR-FEED-1	1	1/P	
11	55122402	GEAR-FEED-LOW-5	1	1/P	
12		GUIDE-GATE-L-P2	1	1/P	
13		PWA-LED1-D-575	2	1/C	
14		HRNS-SK12L	1	1/P	
15		GUIDE-GATE-U-P2	1	1/P	
16	55120605	PWA-SNS1-D-575	2	1/C	
17	56527208	HRNS-SK12S	1	1/P	
18		SCREW-SLIDE-P	1	5/P	
19		MOTR-PM35-5S16-P	2	1/C	
21		ASYS-GEAR-VRG-P	1	1/P	
22		GEAR-5S39_5S21-6	1	1/P	
23		PWA-LED1-004-01	1	1/C	
24		PWA-SNS1-004-01	1	1/C	
25		BASE-P-OPN	1	1/P	
26		BRKT-HRHP-P	1	1/P	
28			HRNS-HRHP	1	1/P
29	RLR-FEED-PIP		1	1/KP	
30	SHUT-D-SNSR-P		1	1/P	
31	SPG-SHUT-P		1	1/P	
32	SFT-36SN		1	1/P	
101		S/PAN/SWWP-M3X12-NI	2	10/P	
102		RR/E-5-SS RR/E-4-SS	5	10/P	
103		S/TPP/FHEXM-3X6-NI	1	10/P	
105		S/PAN/SWWS-M3X6-NI	4	10/P	
106			4	10/P	
107	C0-10813000	GP1A73ARJ00F	3	1/P	
109		S/TPD3/FHEXM-3X6-ZU3	1	10/P	

This Illustrated Parts Manual is to be used for part identification. Part numbers for the most often used parts are listed. To obtain parts for items that do not list an associated part number contact:

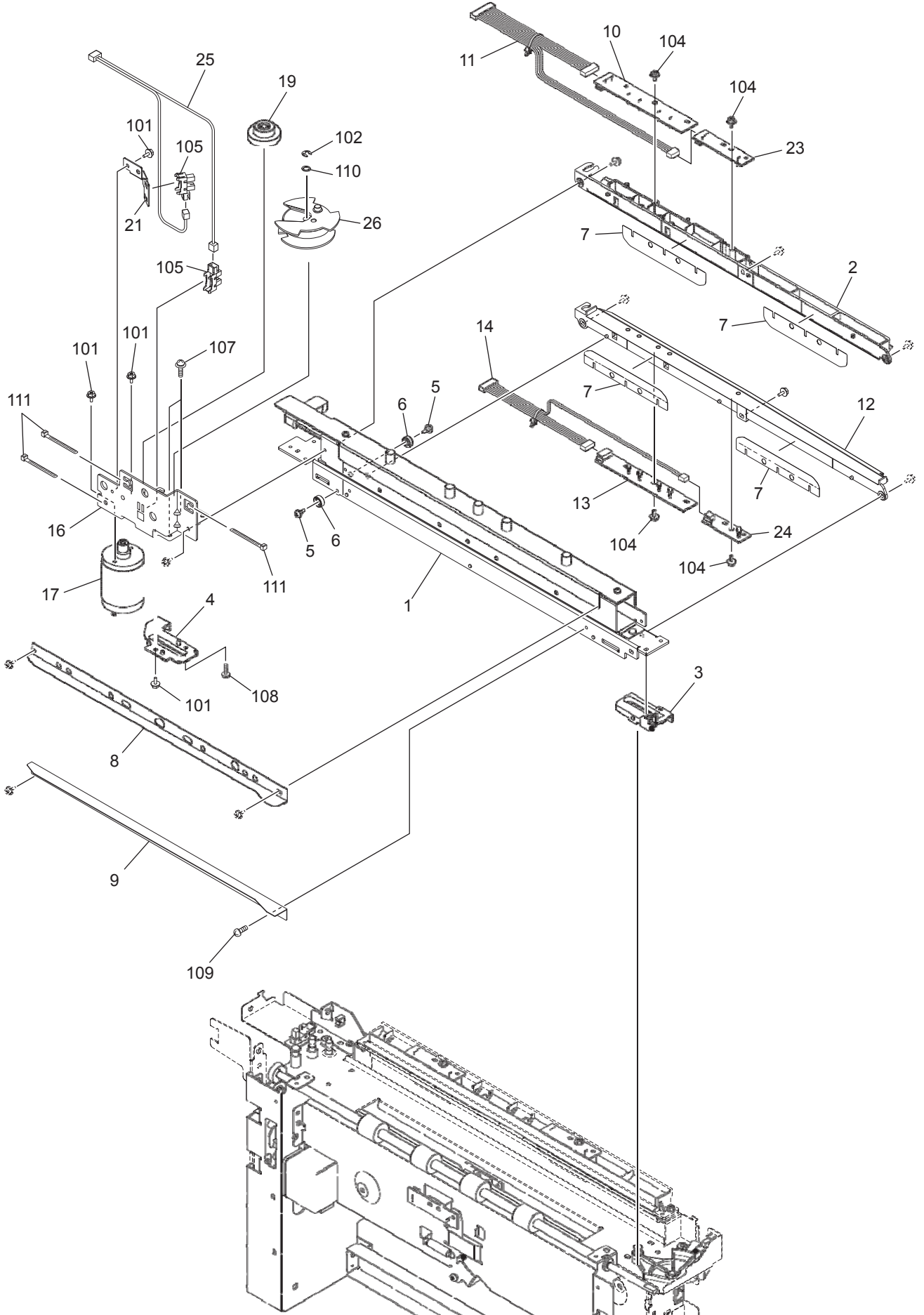
Oki Data Technical Support at 866.654.1725
for specific part numbers and part ordering information



ITEM No.	PART No.	PART NAME	Q'TY / PAGE	Q'TY / PACK	REMARKS
2		COVER-TOP-P-PIT	1	1/PP	
3		COVER-REAR-P	1	1/PP	
4		COVER-FRONT-P	1	1/PP	
5		COVER-F-DOOR-P	1	1/PP	
6		KNOB-RLR-FEED-P2	1	1/P	
7		BOX-DUST-P	1	1/PP	
9		BUSH-6X10X6F-SBK	2	5/P	
12		BRKT-CABLE-P	1	1/P	
13		LBL-DUST-P	1	5/P	
14	55120205	PWA-PNC-004	1	1/SB	
15		GEAR-5S39_5S21-6	2	1/P	
17		GUIDE-P-U-F5330	1	1/P	
19		P-GUIDE-L2	1	1/P	
20		SPG-P-RLR-F	4	1/P	
21		SPG-P-RLR-R	4	1/P	
22		SPG-VRG-P	1	1/P	
24		SPG-HRG-P	1	1/P	
25		RLR-D15XL20-BU-C	4	1/P	
26		HRNS-FINSAD	1	1/P	
27		GEAR-FEED-LOW-6	1	1/P	
28		MYLAR-BLIND-PNC	1	1/P	
101		ESC-0912	3	10/P	
102		LWS-1S	3	5/P	
104		P/PRL/AH7-2X10-SS	1	10/P	
105		RR/E-5-SS	3	10/P	
106		S/TPD3/FHEXM-3X6-ZU3	4	10/P	
107		S/TPD3/FHEXM-3X8-ZU3	4	10/P	
108		P/PRL/AH7-3X35-SS	4	10/P	
109		FILM-GUIDE-P-U-F	1	1/KP	
110		FILM-GUIDE-P-U-R	1	1/KP	

This Illustrated Parts Manual is to be used for part identification. Part numbers for the most often used parts are listed. To obtain parts for items that do not list an associated part number contact:

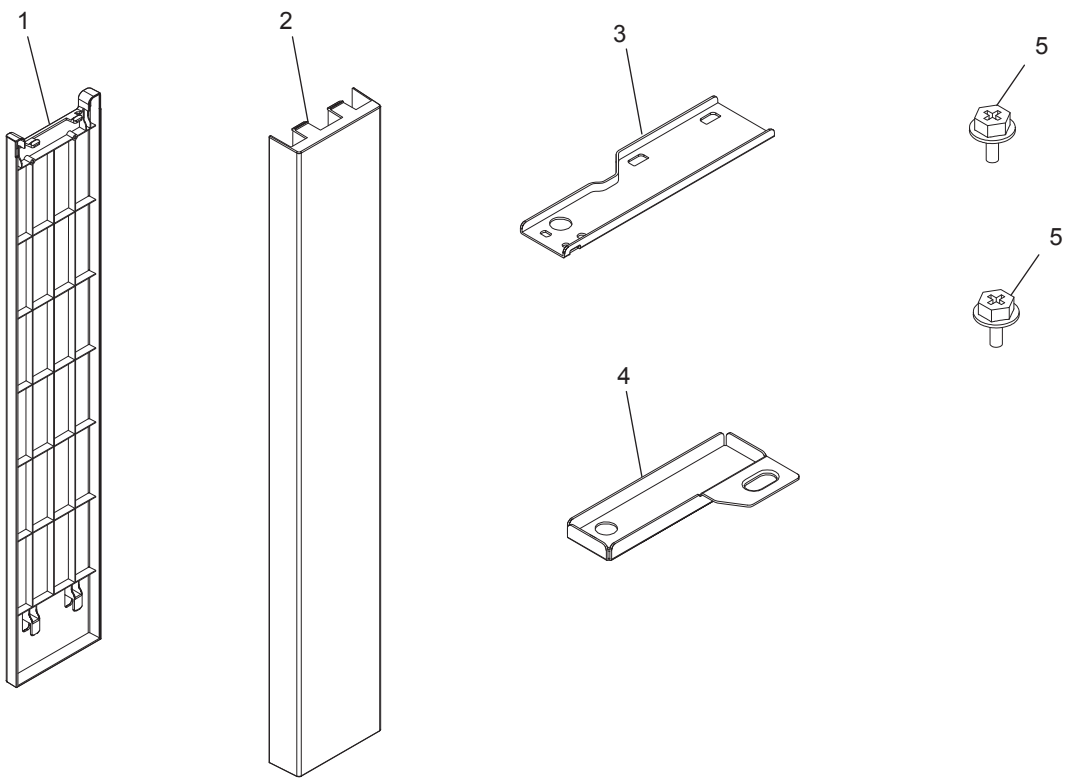
Oki Data Technical Support at 866.654.1725
for specific part numbers and part ordering information



ITEM No.	PART No.	PART NAME	Q'TY / PAGE	Q'TY / PACK	REMARKS
1 A		PUNCH-E	1	1/C	E
1 B		PUNCH-N	1	1/C	N
1 C		PUNCH-F	1	1/C	F
1 D		PUNCH-S	1	1/C	S
2		GUIDE-PNCH-U-P	1	1/P	
3		GUIDE-RG-PUNCH-P	1	1/P	
4		RACK-PNCH-RG-PIP	1	1/P	
5		SCREW-SLIDE-P	2	5/P	
6		WHEEL-PNCH-P	2	1/P	
7		MYLAR-PNCH-PIP	4	1/KP	
8		ASYS-GUIDE-PNC-U-P	1	1/P	
9		ASYS-GUIDE-PNC-L-P	1	1/P	
10	55120201	PWA-SNS4-004	1	1/C	
11		HRNS-RSSF2	1	1/P	
12		GUIDE-PNCH-L-P	1	1/P	
13	55122403	PWA-LED4-S-575	1	1/C	
14		HRNS-RSLFP2	1	1/P	
16		ASYS-PLATE-MOTR-PNCH-P	1	1/P	
17	6LB12164000	ASYS-MOTR-D-PNCH-P	1	1/C	
19		GEAR-5S55_10S16-4	1	1/P	
21		PLATE-SNSR-PNCH-P	1	1/P	
23	52120202	PWA-SNS1-004-00	1	1/C	
24	55120203	PWA-LED1-004-00	1	1/C	
25		HRNS-PHP2	1	1/P	
26 A		ASYS-GEAR-SLIDE-P-ENF	1	1/P	
26 B		ASYS-GEAR-SLIDE-P-S	1	1/P	
101		S/TPD3/FHEXM-3X6-ZU3	3	10/P	
102		RR/E-3-SS	1	10/P	
104		S/TPP/FHEXM-3X6-NI	4	10/P	
105	C0-10813000	GP1A73ARJ00F	2	1/P	
107		S/PAN/SWWP-M3X6-ZU3	2	10/P	
108		S/TPS/PAN-3X8-NI	1	10/P	
109		SCR-M3X6BISR-NI	1	10/P	
110		WSHR-4R1-6R5-R5-P	1	5/P	
111		SKB-1	3	5/P	

This Illustrated Parts Manual is to be used for part identification. Part numbers for the most often used parts are listed. To obtain parts for items that do not list an associated part number contact:

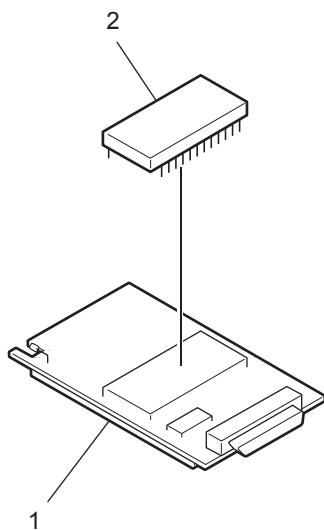
Oki Data Technical Support at 866.654.1725
for specific part numbers and part ordering information



ITEM No.	PART No.	PART NAME	Q'TY / PAGE	Q'TY / PACK	REMARKS
1		COVER-R-BLIND-P	1	1/PP	
2		COVER-F-BLIND-PIP	1	1/PP	
3		BRKT-RB-COV-P	1	1/P	
4		BRKT-B-COV-P	1	1/P	
5		S/PAN/SWWP-M4X8-ZU3	2	10/P	

This Illustrated Parts Manual is to be used for part identification. Part numbers for the most often used parts are listed. To obtain parts for items that do not list an associated part number contact:

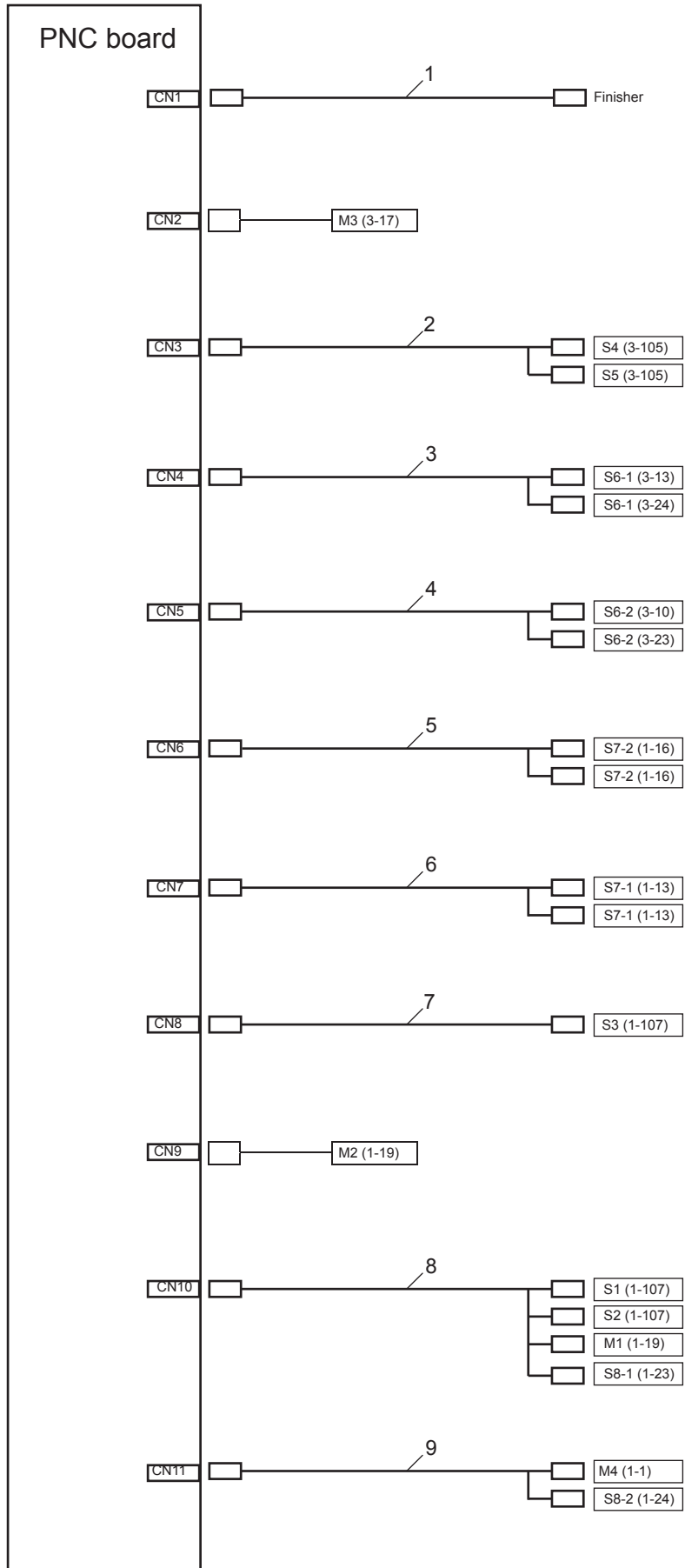
Oki Data Technical Support at 866.654.1725
for specific part numbers and part ordering information



ITEM No.	PART No.	PART NAME	Q'TY / PAGE	Q'TY / PACK	REMARKS
1		K-PWA-DLM-320	1	1/C	

This Illustrated Parts Manual is to be used for part identification. Part numbers for the most often used parts are listed. To obtain parts for items that do not list an associated part number contact:

Oki Data Technical Support at 866.654.1725
for specific part numbers and part ordering information



ITEM No.	PART No.	PART NAME	Q'TY / PAGE	Q'TY / PACK	REMARKS
1		HRNS-FINSAD	1	1/P	
2		HRNS-PHP2	1	1/P	
3		HRNS-RSLFP2	1	1/P	
4		HRNS-RSSFP2	1	1/P	
5		HRNS-SK12S	1	1/P	
6		HRNS-SK12L	1	1/P	
7		HRNS-HRHP	1	1/P	
8		HRNS-VR-CVTRL	1	1/P	
9		HRNS-FMT-TRS	1	1/P	

This Illustrated Parts Manual is to be used for part identification. Part numbers for the most often used parts are listed. To obtain parts for items that do not list an associated part number contact:

Oki Data Technical Support at 866.654.1725
for specific part numbers and part ordering information

