

**CX3535 / CX4545 MFP**

# **MJ-1106**

# **Saddle Stitch Finisher**

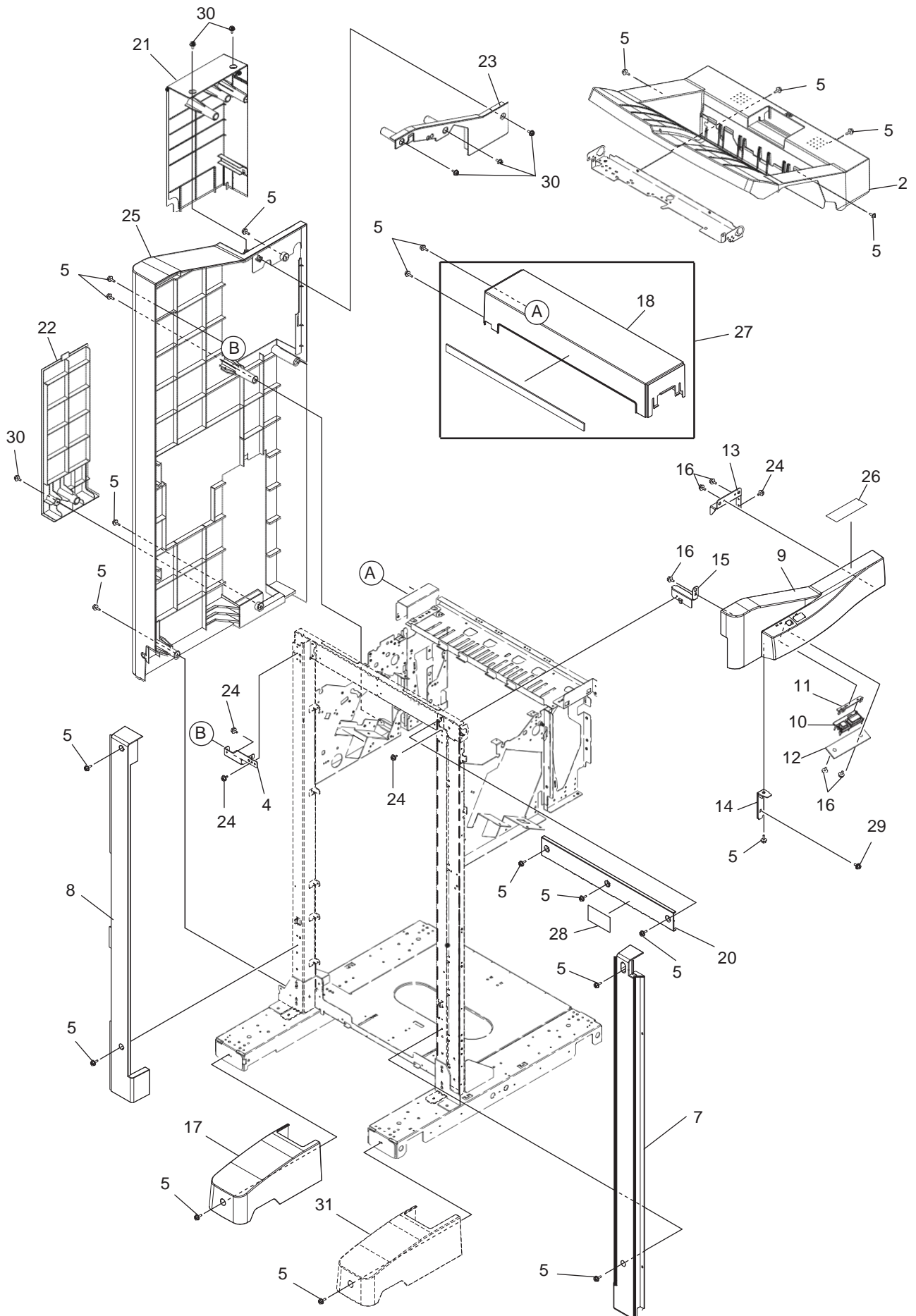
## **Illustrated Parts Manual**

This Illustrated Parts Manual is to be used for part identification. Part numbers for the most often used parts are listed. To obtain parts for items that do not list an associated part number contact:

**Oki Data Technical Support at 866.654.1725**  
for specific part numbers and part ordering information

# CONTENTS

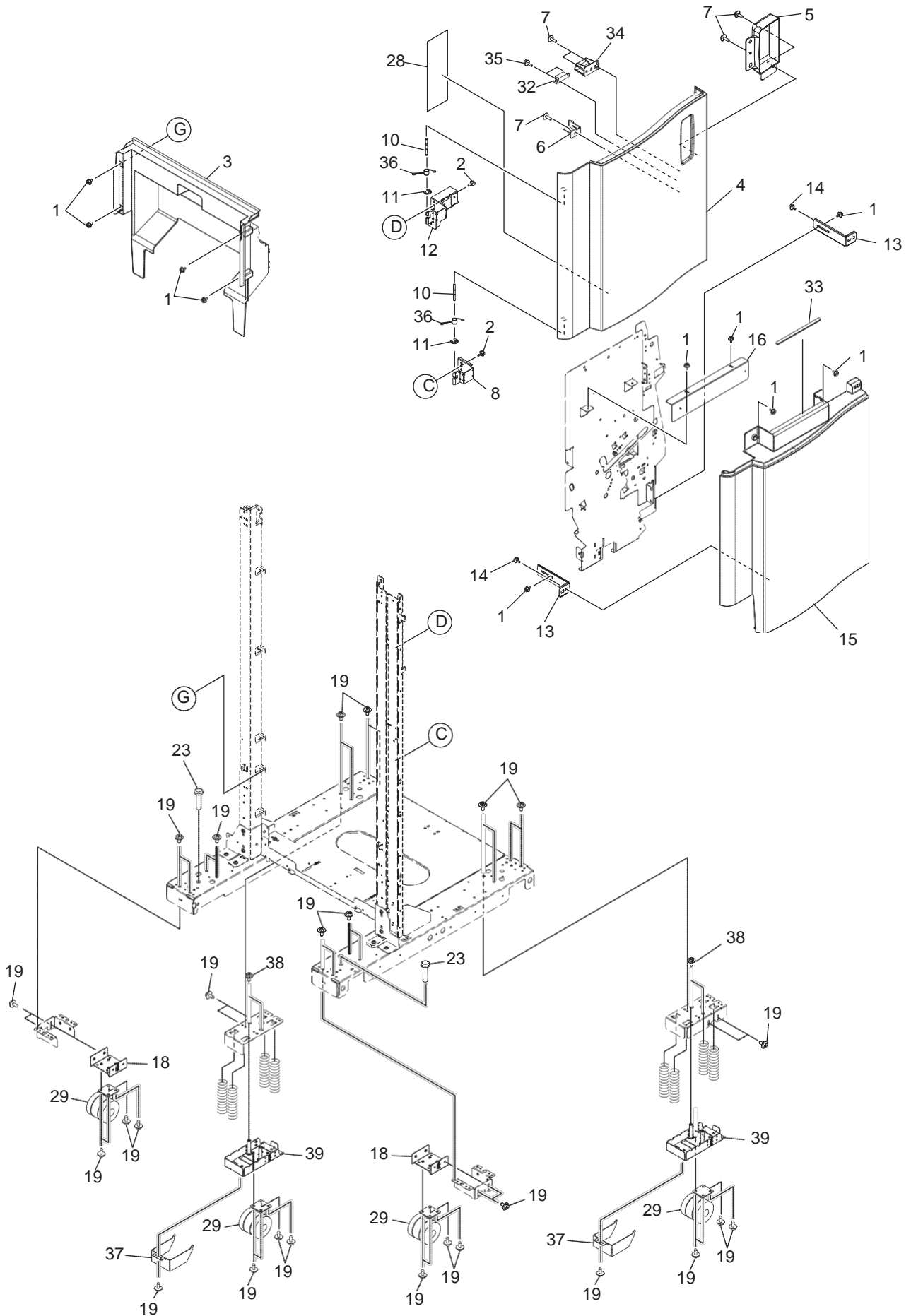
COVER-1-ASM .....	1
COVER-2-ASM .....	2
PAPER GUIDE-ASM.....	3
FRAME-BASE-TRAY-ASM.....	4
FRAME-ALGIN-1-ASM .....	5
FRAME-ALGIN-2-ASM .....	6
BUFFER-1-ASM.....	7
BUFFER-2-ASM.....	8
BUFFER-3-ASM.....	9
SORT-ASM.....	10
STAPLE-ASM.....	11
SORT-TRAY-ASM .....	12
ATTACHMENT-ASM .....	13
ACCESSORIES-ASM .....	14
JCT-BOX-ASYM-SDL.....	16
GUIDE-RAIL-SDL-ASM .....	17
FRAME-SD-ASM .....	18
FOLD-GEAR-ASM .....	19
STACK-ASM.....	20
P-PRESS-ASM .....	21
STAPLE-ASM-SDL.....	22
SORT-ASYM-SD .....	23
EFS-SDL-1-ASM.....	24
EFS-SDL-2-ASM.....	25
SW-BACK-1-ASM .....	26
SW-BACK-2-ASM .....	27
SW-BACK-3-ASM .....	28
ACCESSORIES-SDL-ASM .....	29
JIGS & GREASE .....	51
DOWNLOAD JIGS .....	52



ITEM No.	PART No.	PART NAME	Q'TY / PAGE	Q'TY / PACK	REMARKS
2		ASYB-TRAY-DBL-BU-C-PIT	1	1/PP	
4		STAY-CVR-RER-TOP-PIT	1	1/P	
5		S/TPS/FHEXM/R-3X8-ZU3	21	10/P	
7		COVER-RAIL-FRONT-PITA	1	1/KP	
8		COVER-RAIL-REAR-PITA	1	1/KP	
9		COV-FRONT-TOP-PITA	1	1/PP	
10		KEY-TOP-STPL-L	1	1/C	
11		LED-TOP	1	1/D	
12		PWA-CPL-101	1	1/C	
13		BRKT-TOP-R-PIT	1	1/P	
14		BRKT-COV-TOP-L	1	1/P	
15		BRKT-COV-TOP-L-PIT-2	1	1/P	
16		S/TPP/FHEXM-3X6-NI	5	10/P	
17		COVER-FOOT-REAR-PITA	1	1/P	
18		COVER-TOP-P-PIT	1	1/PP	
20		COV-LEFT-TOP-PIT	1	1/PP	
21		COVER-OPTION-PITA	1	1/PP	
22		COVER-OPTION-2-PITA	1	1/PP	
23		COVER-REAR-FRONT-PIT	1	1/PP	
24		S/TPS/FHEXM/R-3X6-ZU3	4	10/P	
25		COV-REAR-PITA	1	1/PP	
26		LBL-MNL-STPL-RBT	1	1/P	
27		ASYS-COVER-TOP-P-PIT	1	1/PP	
28		LBL-CAUTION-MJ-1101	1	1/KP	
29		S/PAN/SWWP-M3X6-ZU3	1	10/P	
30		S/TPP/FHEXM-3X8-NI	6	10/P	
31		COVER-FOOT-FRONT-PITA	1	1/PP	

This Illustrated Parts Manual is to be used for part identification. Part numbers for the most often used parts are listed. To obtain parts for items that do not list an associated part number contact:

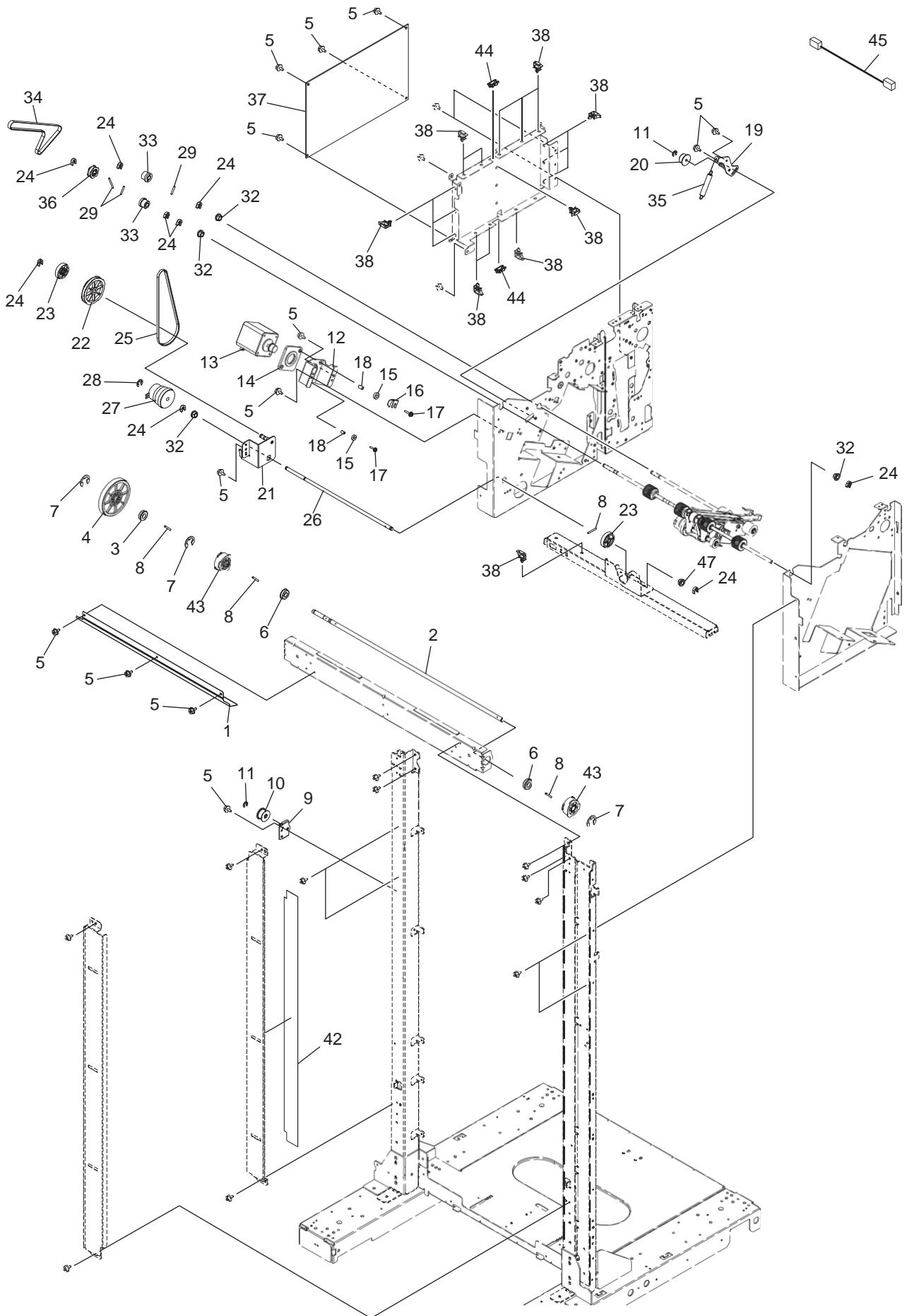
**Oki Data Technical Support at 866.654.1725**  
for specific part numbers and part ordering information



ITEM No.	PART No.	PART NAME	Q'TY / PAGE	Q'TY / PACK	REMARKS
1		S/TPS/FHEXM/R-3X8-ZU3	10	10/P	
2		S/TPS/FHEXM/R-3X6-ZU3	2	10/P	
3		COVER-L-BTM-SDL1	1	1/PP	
4		COVER-FRONT-PIT	1	1/PP	
5		HNDL-DOOR-PIT-TYP2	1	1/P	
6		BRKT-DOOR-LOCK-PIT	1	1/P	
7		S/TPP/FHEXM-4X10-NI	5	10/P	
8		BRKT-DOOR-HING-PIT-2	1	1/P	
10		PIN-DOOR-HING-PIT	2	1/P	
11		RR/E-3-SS	2	10/P	
12		BRKT-DOOR-HING-PIT1	1	1/P	
13		BRKT-COV-BTM	2	1/P	
14		S/TPP/FHEXM-3X6-NI	2	10/P	
15		COVER-FRONT-BTM-PIT	1	1/PP	
16		BRKT-FRT-BTM-TOP	1	1/P	
18		PLT-CASTER-FOOT	2	1/P	
19		S/TPS/FHEXM/R-4X8-ZU3	42	10/P	
23		S/PAN-M10X40-NI	2	10/P	
28		LABEL-STPL-MJ1106	1	1/KP	
29		CASTER_LZ-60N-ROTATE	4	1/D	
32		CA-0124B	1	1/P	
33		LABEL-GREEN-COV-RBT	1	1/KP	
34		GUIDE-PSN-DOOR-FRT-PIT	1	1/P	
35		S/TPP/FHEXM-3X8-NI	2	10/P	
36		SPG-DOOR-PITA	2	1/P	
37		GUIDE-CASTER	2	1/P	
38		S/FHEXM-M4X8-NI	4	10/P	
39		ASYS-PLT-CAS-RBT	2	1/P	

This Illustrated Parts Manual is to be used for part identification. Part numbers for the most often used parts are listed. To obtain parts for items that do not list an associated part number contact:

**Oki Data Technical Support at 866.654.1725**  
for specific part numbers and part ordering information



ITEM No.	PART No.	PART NAME	Q'TY / PAGE	Q'TY / PACK	REMARKS
1		PLATE-RAISE-BRUSH	1	1/KP	
2		SHAFT-DRV-TRAY-UD-PIT	1	1/P	
3		BUSH-8X12X8F-NU4	1	5/P	
4		GEAR-12R5S51-8-TRAY	1	1/P	
5		S/TPS/FHEXM/R-3X6-ZU3	13	10/P	
6		LNR-1680HHRPOP15LY13	2	1/P	
7		RR/E-7-SS	3	10/P	
8		P/PRL/AH7-2X16-SS	4	10/P	
9		ASYS-PLT-PLY-IDL-2-TD-PIT	1	1/P	
10		RLR-TENSION-PIT	1	1/P	
11		RR/E-3-SS	2	10/P	
12		BRKT-MOTR-VI	1	1/P	
13	56527206	MOTR-HB42K1-S2M20-VI	1	1/C	
14		DUMPER_MOTOR_4210	1	1/P	
15		DUMPER_SCREW	2	5/P	
16		PLT-EARTH-MTR	1	1/P	
17		S/PAN/SWWP-M3X12-NI	2	10/P	
18		3382330-30065	2	5/P	
19		ASYS-PLATE-PLY-IDL-SF	1	1/P	
20		BELT TENSION ROLLER	1	1/P	
21		ASYS-BRKT-EL-CLUTCH-TRAY	1	1/P	
22		PULLY-S3M50-6-TRAY	1	1/P	
23		GEAR-10S25-6-TRAY	2	1/P	
24		STOP-RING-6-5-POM	9	5/P	
25		BELT-SHUT-S3M-TRAY	1	1/P	
26		SHAFT-DRV-SHUT-TRAY	1	1/P	
27	51403703	EL-CLUTCH-SHUT-TRAY	1	1/D	
28		RR/E-4-SS	1	10/P	
29		P/PRL/AH7-2X12-SS	3	10/P	
32		BUSH-6-NU4	4	1/P	
33		PULLY-S2M21-6-SF-PIT	2	1/P	
34		BLT-60S2M-344-SF	1	1/P	
35		SPG-BLT-TENS-SF	1	1/P	
36		PULLY-S3M20-6-TRAY	1	1/P	
37	55120611	ASY-FIN-106-T	1	1/SB	
38		LWS-3S-V0	16	5/P	
42		MYLAR-BRKT-RAIL-COVER	1	1/KP	
43		PULLY-S5M18-8-PIT	2	1/P	
44		ESC-0912	2	10/P	
45		HRNS-RLY3-A	1	1/P	
47		BUSH-6-POM	1	5/P	

This Illustrated Parts Manual is to be used for part identification. Part numbers for the most often used parts are listed. To obtain parts for items that do not list an associated part number contact:

**Oki Data Technical Support at 866.654.1725**  
for specific part numbers and part ordering information

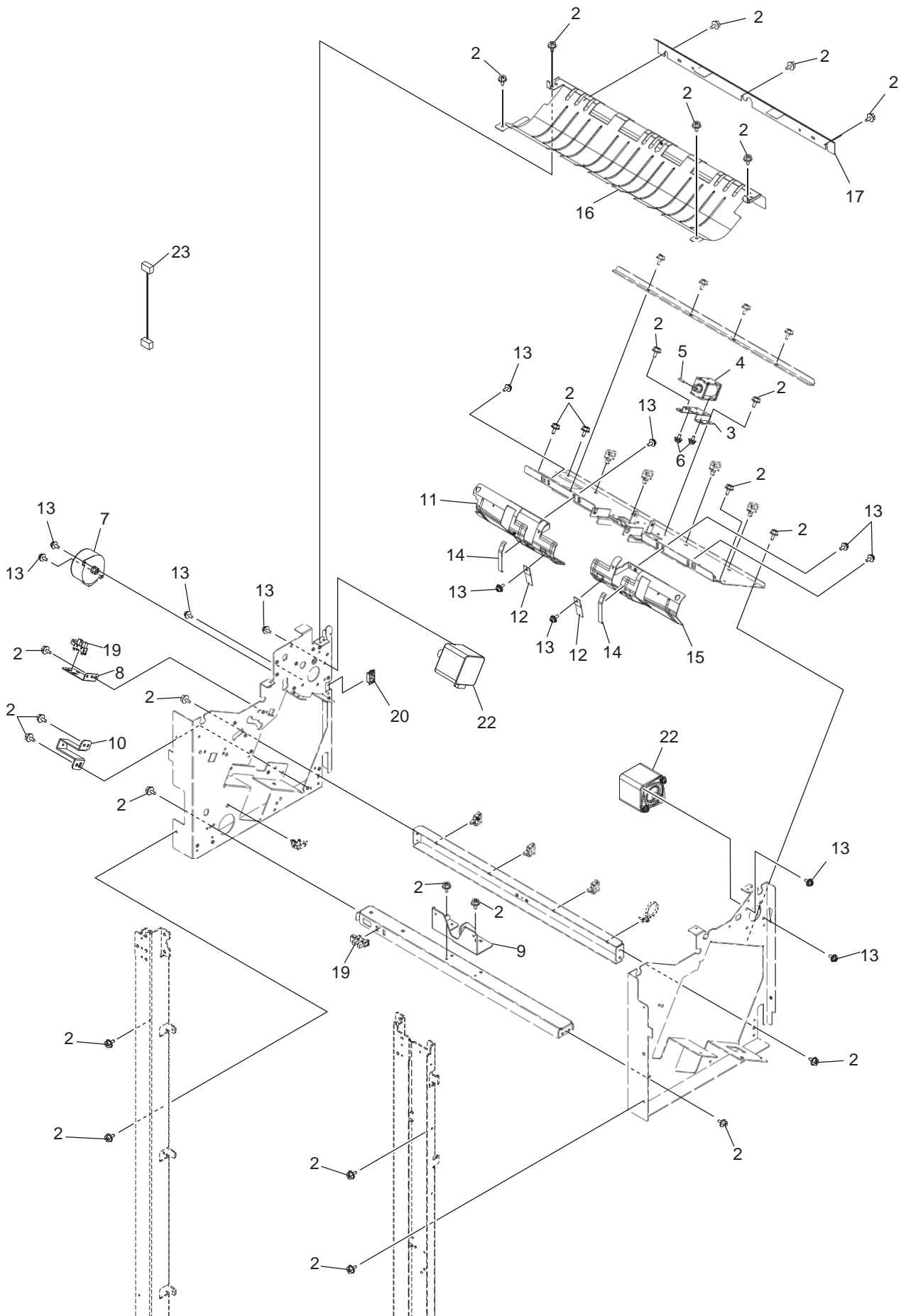




ITEM No.	PART No.	PART NAME	Q'TY / PAGE	Q'TY / PACK	REMARKS
1		FRAME-BASE-TRAY	1	1/P	
2		PLATE-P-SNSR-SO	1	1/P	
3		ROLLER-GUIDE-TRAY	4	1/P	
4		GUARD-CAP-SLIDERAIL-TRAY	2	1/P	
5		RR/E-7-SS	6	10/P	
6		ASYS-RAIL-BRKT-F-TRAY	1	1/P	
7		ASYS-RAIL-BRKT-R-TRAY	1	1/P	
8		PLATE-BLT-CLUMP-TRAY	2	1/P	
9		HRNS-SFTTRY-EAR	1	1/P	
10		BLT-70S5M-1595-PIT	2	1/P	
11		S/TPS/FHEXM/R-3X8-ZU3	11	10/P	
12		S/PAN/SWWP-M3X8-NI	5	10/P	
14		UAMS-05S-2	1	5/P	
15		GP1A73ARJ00F	5	1/P	
16		SKB-1	2	5/P	
17		ASYS-PLT-PLY-IDL-TRAY-PIT	2	1/P	
18		PULLY-S5M18-8-PIT	2	1/P	
19		SPG-TENS-PLY-TRAY-PIT	2	1/P	
20		S/TPS/FHEXM/R-4X8-ZU3	2	10/P	
21		SHUTTER-TRAY-PIT2	1	1/KP	
22		ACTR-01-SNSR-TRAY-PIT-L	1	1/KP	
23		SPG-ACTR-01-TRAY-40-PIT	1	5/P	
24		STOP-PAPER-PIT	2	1/P	
26		SPG-STOP-PIT	2	1/P	
27		SPG-PLT-SHUT	2	1/P	
28		HRNS-FIN3-A	1	1/P	
29		S/TPP/FHEXM-3X6-NI	2	10/P	
30		PLATE-EARTH-ENCL-PIT	2	1/P	
31		BRKT-ACTR-FN-PIT	1	1/P	
32		PLATE-BLT-RER-TRAY	1	1/P	
34		ACTR-SNSR-FN-PIT	1	1/P	

This Illustrated Parts Manual is to be used for part identification. Part numbers for the most often used parts are listed. To obtain parts for items that do not list an associated part number contact:

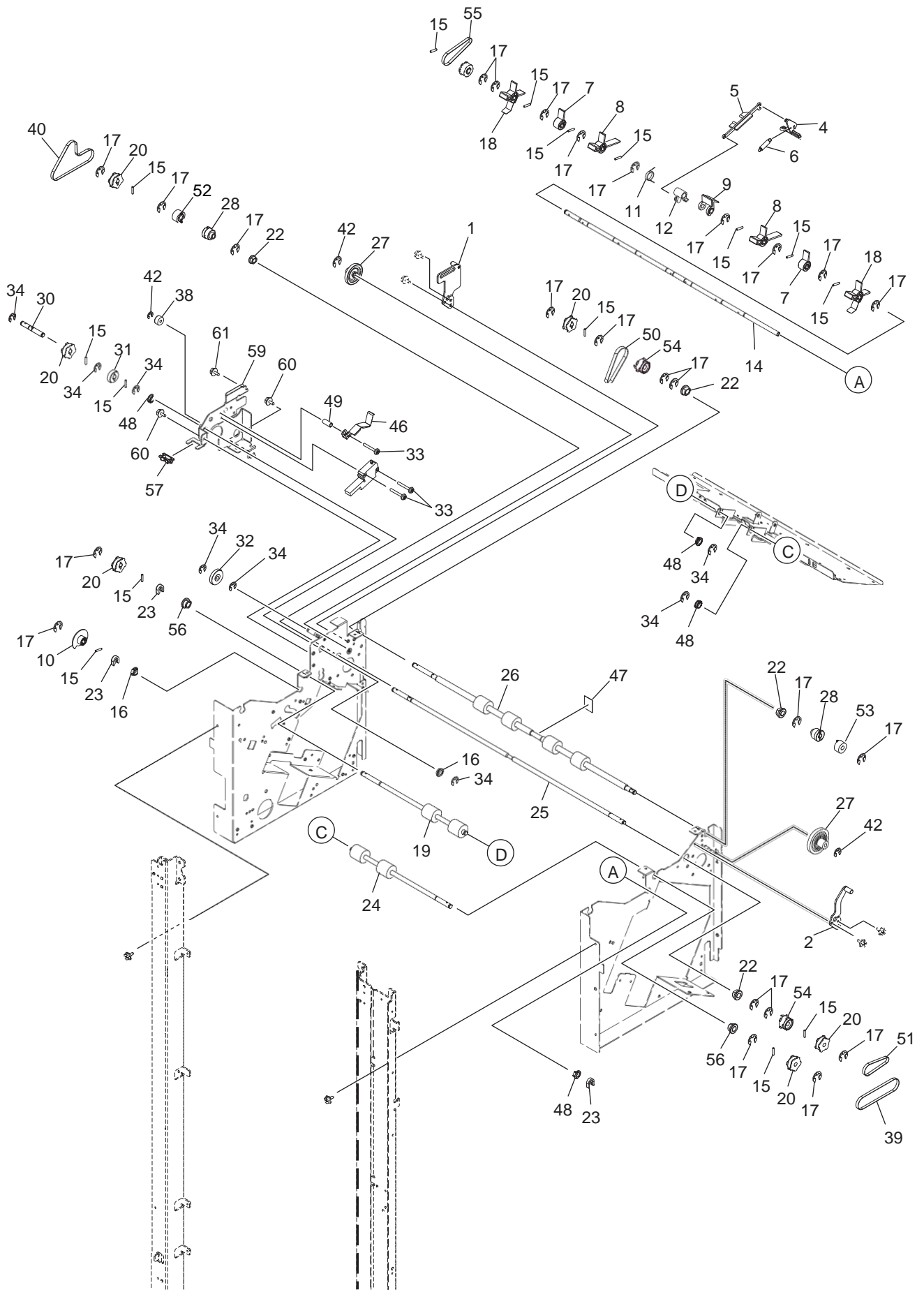
**Oki Data Technical Support at 866.654.1725**  
for specific part numbers and part ordering information



ITEM No.	PART No.	PART NAME	Q'TY / PAGE	Q'TY / PACK	REMARKS
2		S/TPS/FHEXM/R-3X6-ZU3	26	10/P	
3		BRKT-SOL-BASE SOL-	1	1/P	
4		08BM-51-VI P/SPW/AW-	1	1/D	
5		2X10-SS S/PAN/SWWP-	1	10/P	
6		M3X5-NI	2	10/P	
7	56527505	MOTR-S-PDL-ALIGN-RBT	1	1/C	
8		BRKT-PDL-SNSR	1	1/P	
9		BRKT-SFT-SHUT-PIT2	1	1/P	
10		PLT-SPCR-REAR-R-B	1	1/P	
11		ASYS-GID-PDL-RER	1	1/PP	
12		BRUSH-GID-PDL	2	1/KP	
13		S/PAN/SWWP-M3X6-ZU3	12	10/P	
14		MYLAR-GID-PDL-2	2	1/P	
15		ASYS-GID-PDL-FRT	1	1/PP	
16		GUIDE-FEED-LOW-PIT5	1	1/PP	
17		ASYS-MYLAR-FEED-IN-PIT	1	1/KP	
19		GP1A73ARJ00F	2	1/P	
20		ESC-0912	1	10/P	
22	56527506	MOTR-S-FEED2-RBT	2	1/C	
23		HRNS-RLY3-A	1	1/P	

This Illustrated Parts Manual is to be used for part identification. Part numbers for the most often used parts are listed. To obtain parts for items that do not list an associated part number contact:

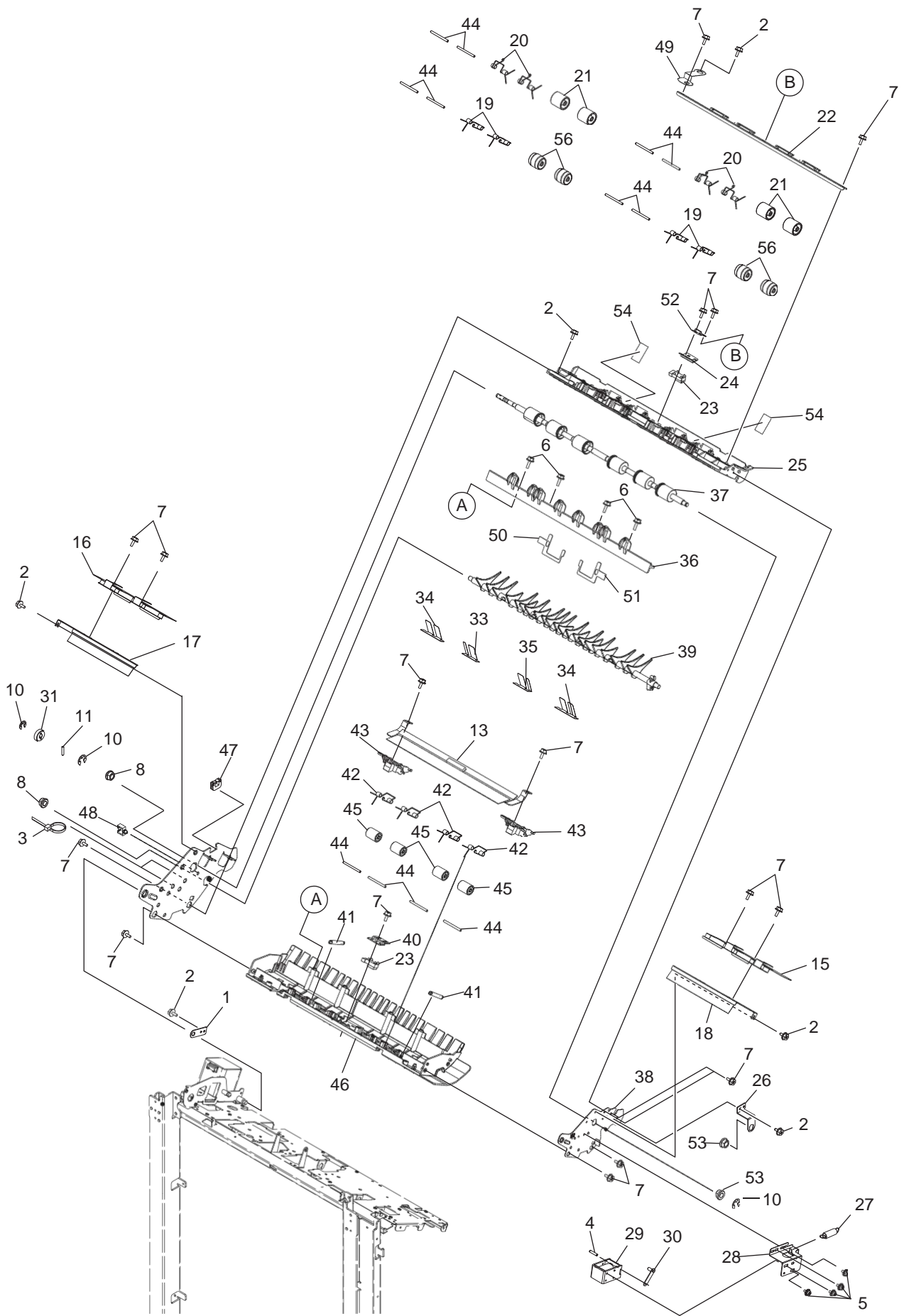
**Oki Data Technical Support at 866.654.1725**  
for specific part numbers and part ordering information



ITEM No.	PART No.	PART NAME	Q'TY / PAGE	Q'TY / PACK	REMARKS
1		ASYS-BRKT-TRAY-OPN-PIT	1	1/P	
2		ASYS-BRKT-TRY-F-BU-C	1	1/P	
4		LEVER-SOL-ALIGN	1	1/P	
5		ARM-SOL-ALIGN	1	1/P	
6		SPG-SOL-ALIGN	1	1/P	
7		ASYS-PDL-DRP-SID-VI	2	1/P	
8		ASYS-PDL-DRP-VI	2	1/P	
9		ASYS-ZIPPER-ALIGN-A	1	1/P	
10		WHEEL-SNSR-PDL-VI	1	1/P	
11		SPG-ZIPPER-ALIGN	1	1/P	
12		ZIPPER-ALIGN-B	1	1/P	
14		SHAFT-PDL-VI	1	1/P	
15		P/PRL/AH7-2X10-SS	15	10/P	
16		CAM METAL	2	1/P	
17		RR/E-5-SS	25	10/P	
18		ASYS-PDL-DRP-OUT-72	2	1/C	
19		RLR-FEED-2-R2-PIT3	1	1/KP	
20		PULLY-S2M30-6-5	6	1/P	
22		LF-1060ZZHP0P25LY727	4	1/P	
23		STOP-RING-6-5-POM	3	5/P	
24		RLR-FEED-2-L-PIT3	1	1/KP	
25		SHAFT-LOW-RBT RLR-	1	1/P	
26		FEED-1-RBT GEAR-	1	1/KP	
27		5S60_PS2M15-5	2	1/P	
28		GEAR-ATCMNT-CLT	2	1/P	
30		SFT-FEED-U-GEAR	1	1/P	
31		GEAR-FEED-LOW-6	1	1/P	
32		GEAR-FEED-LOW-8	1	1/P	
33		S/TPS/PAN-3X16-ZU3	3	10/P	
34		RR/E-4-SS	8	10/P	
38		RLR-BLTENS-FL-PIT	1	1/P	
39		BLT-40S2M-182-FL-PIT	1	1/P	
40		BLT-40S2M-216-FL-PIT	1	1/P	
42		RR/E-3-SS	3	10/P	
46		SPG-COV-OPENSU-RBT	1	1/P	
47		SHEET-FEDL-SNSR-PIT	1	5/P	
48		BUSH-6X8X3F-POM	4	1/P	
49		3382330-30090	1	5/P	
50		BLT-40-S2M-106	1	1/P	
51		BLT-40-S2M-116	1	1/P	
52	51403704	CLUTCH-6-RW-390	1	1/P	
53	51403705	CLUTCH-6-LB-390	1	1/P	
54		PULLY-S2M28-6-CLUTCH	2	1/P	
55		BLT-40-S2M-126	1	1/P	
56		BUSH-6-NU4	2	1/P	
57		ESC-0912	1	10/P	
59		ASYS-BRKT-FEED-R-RBT	1	1/P	
60		S/TPS/FHEXM/R-3X6-ZU3	2	10/P	
61		S/PAN/SWWP-M3X6-ZU3	1	10/P	

This Illustrated Parts Manual is to be used for part identification. Part numbers for the most often used parts are listed. To obtain parts for items that do not list an associated part number contact:

**Oki Data Technical Support at 866.654.1725**  
for specific part numbers and part ordering information

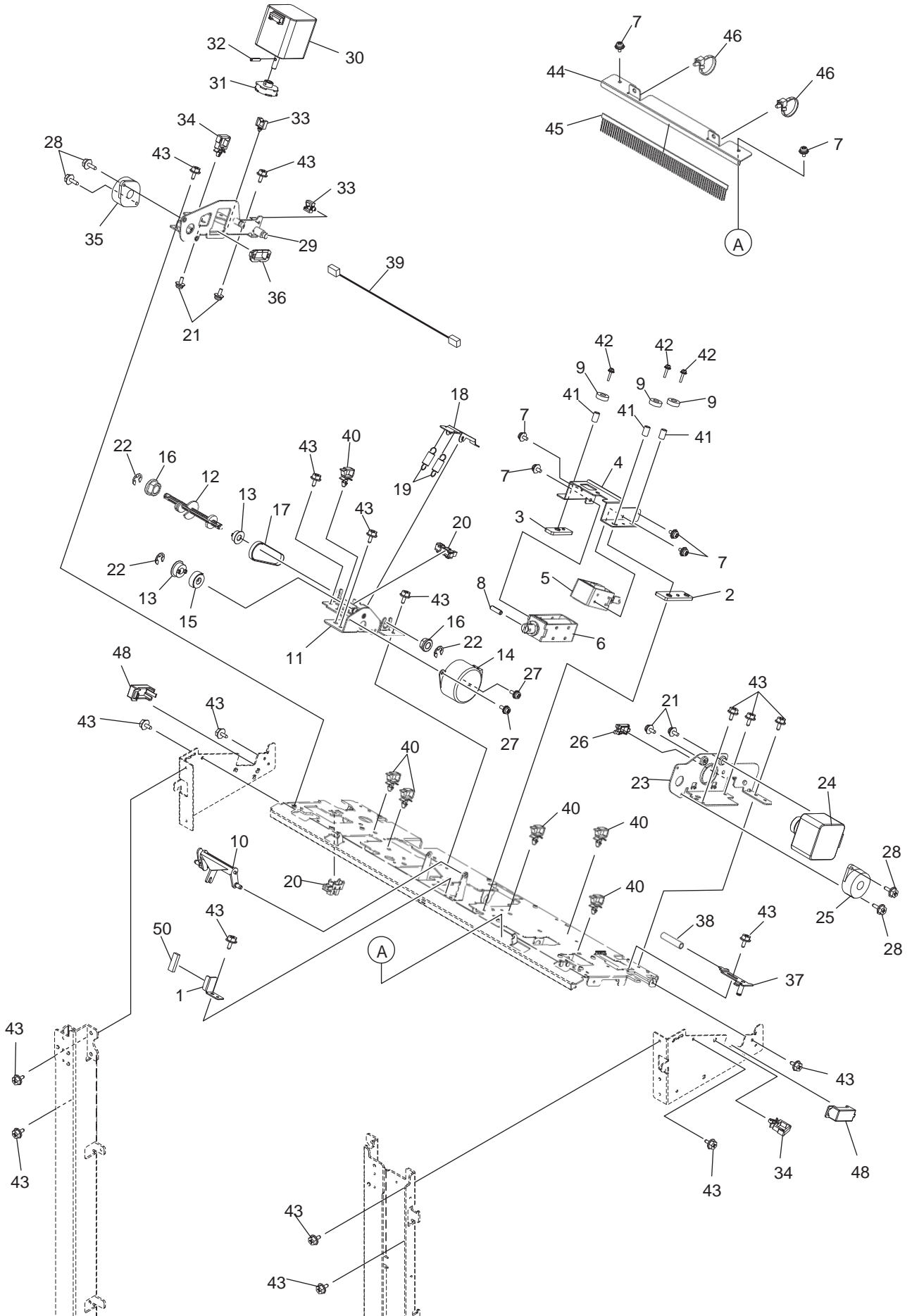


ITEM No.	PART No.	PART NAME	Q'TY / PAGE	Q'TY / PACK	REMARKS
1		PLT-SD-PIVOT-D-BU-C	1	1/P	
2		S/TPS/FHEXM/R-3X6-ZU3	6	10/P	
3		SKB-1	2	5/P	
4		P/SPW/AW-2X10-SS	1	10/P	
5		S/PAN/SWWP-M3X5-NI	4	10/P	
6		S/TPP/FHEXM-3X8-NI	4	10/P	
7		S/TPP/FHEXM-3X6-NI	17	10/P	
8		BUSH-6-NU4	2	1/P	
10		RR/E-5-SS	3	10/P	
11		P/PRL/AH7-2X10-SS	1	10/P	
13		ASYS-AST-ARM-PIT	1	1/KP	
15		SHIELD-FRT-BU-C	1	1/C	
16		SHIELD-RER-BU-C	1	1/KP	
17		BRUSH-TRAY-R-BU-C	1	1/KP	
18		BRUSH-TRAY-F-BU-C	1	1/KP	
19		SPG-UPR2-BU-C	4	1/P	
20		SPG-UPR1-BU-C	4	1/P	
21		RLR-D20XL20-BU-C	4	1/P	
22		PLT-CVR-UPPER-BU-PIT	1	1/P	
23		GP2A230LRSF	2	1/C	
24		BRKT2-GP2A231LR-PIT2	1	1/P	
25		CVR-UPPER-BU-C-F5330	1	1/PP	
26		BRKT-FLPA-BU-C	1	1/P	
27		SPG-FLP-BU-C-PIT3	1	1/P	
28		ASYS-BRKT-SOL-FLP-PIT	1	1/P	
29		ASYB-SOL-KN10SL-DC-FLAP	1	1/D	
30		ASYS-SOL-LINK-BU-C-2-PIT	1	1/P	
31		GEAR-FEED-LOW-6	1	1/P	
33		FILM3-SUPT-TRAY-BU-C	1	1/C	
34		FILM2-SUPT-TRAY-BU-C	2	1/C	
35		FILM1-SUPT-TRAY-BU-C	1	1/C	
36		TRAY-GUIDE-BU-C-F5330	1	1/PP	
37		RLR-FED-TRY-BU-C-RBT	1	1/KP	
38		FRM-SIDE-F-BU-C	1	1/P	
39		ASYS-FLAP-BU-C	1	1/D	
40		BRKT-GP2A231LR-PIT	1	1/P	
41		SPG-AST-ARM-BUF	2	1/P	
42		SPG-BTM-BU-C	4	1/P	
43		ARM-PAPER-PRESS-BUF-PIT	2	1/P	
44		PIN-3X35-PIP	12	1/P	
45		RLR-D15XL20-BU-C	4	1/P	
46		ASYS-CVR-BOTTOM-BU-C-RBT	1	1/PP	
47		DS-02S	1	5/P	
48		UAMS-05S-2	1	5/P	
49		PLT-EARTH-FEED-U	1	1/P	
50		FILM-TRAY-GUIDE-R-PIT	1	1/C	
51		FILM-TRAY-GUIDE-F-PIT	1	1/C	
52		PLATE-EARTH-IN-PIT	1	1/P	
53		BUSH-6-POM	2	5/P	
54		MYLAR-CVR-UP-T01	2	1/KP	
56	53367001	RLR-EXIT-BU-C-GR-PLC	4		

This Illustrated Parts Manual is to be used for part identification. Part numbers for the most often used parts are listed. To obtain parts for items that do not list an associated part number contact:

**Oki Data Technical Support at 866.654.1725**  
for specific part numbers and part ordering information

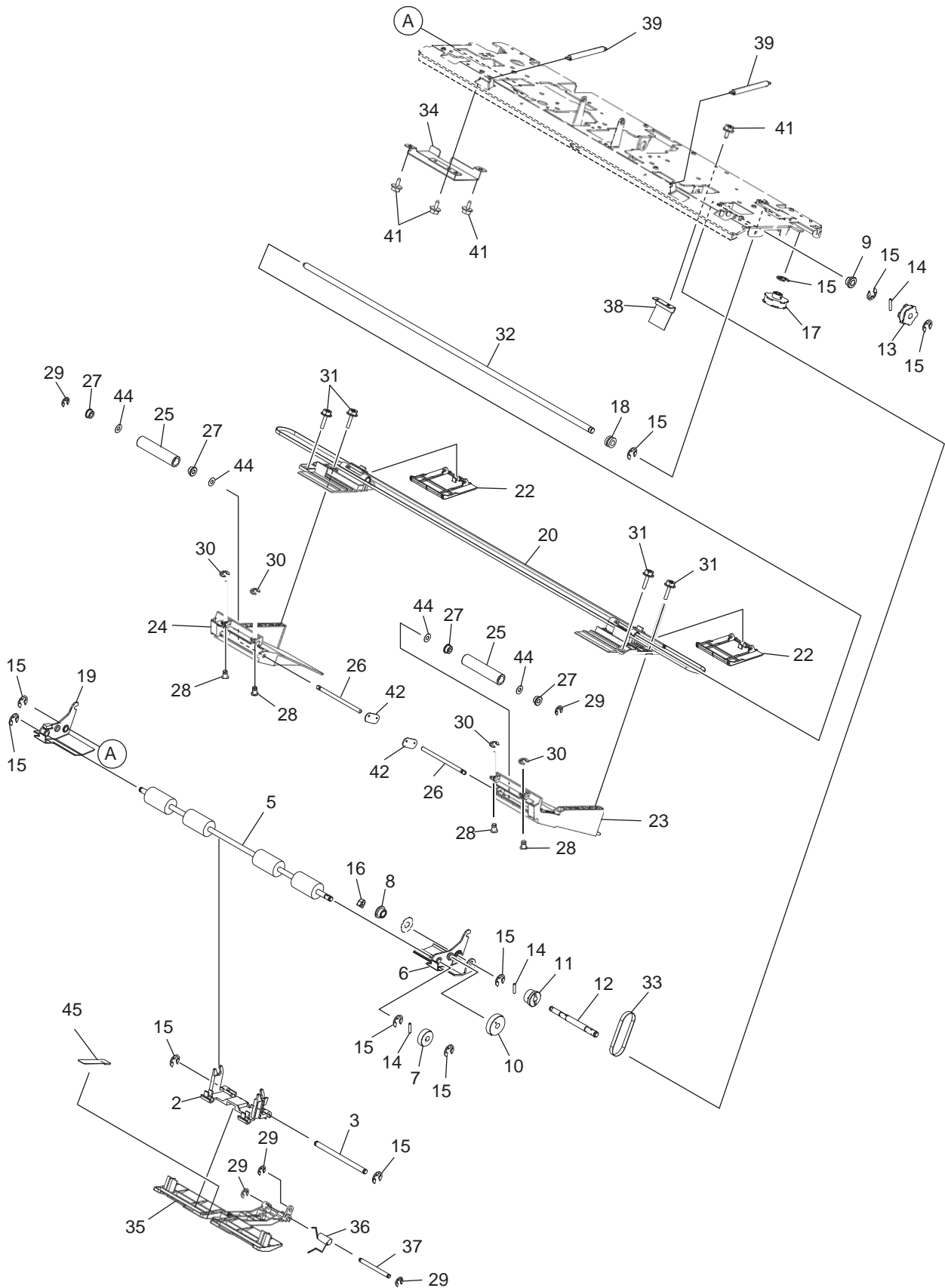




ITEM No.	PART No.	PART NAME	Q'TY / PAGE	Q'TY / PACK	REMARKS
1		PLATE-SOL-BUF-PIT	1	1/P	
2		DUMPER-BUF-F-PIT	1	1/P	
3		DUMPER-BUF-R-PIT	1	1/P	
4		BRKT-SOL-BUF-PIT	1	1/P	
5		ASYS-SOL-10-SL-BUF	1	1/D	
6		SOL-10LSA-BUF	1	1/D	
7		S/PAN/SWWP-M3X5-NI	6	10/P	
8		P/SPW/AW-3X10-SS	1	10/P	
9		DUMPER_SCREW	3	5/P	
10		ARM-E-RLR-2-BUF	1	1/P	
11		ASYS-BRKT-AST-ARM-PIT	1	1/P	
12		CAM-SHAFT-BUF-PIT	1	1/P	
13		PLY/T-2GT020-06	2	1/P	
14	56527204	MOTR-S-PDL-ALIGN	1	1/C	
15		GEAR-AST-ARM-PIT	1	1/P	
16		BUSH-6-POM	2	5/P	
17		BLT-136-2GT-4-BUF	1	1/P	
18		SEESAW-ARM-BUF	1	1/P	
19		SPG-SEESAW-ARM-BUF	2	1/P	
20		GP1A73ARJ00F	2	1/P	
21		S/PAN/SWWP-M3X6-ZU3	4	10/P	
22		RR/E-4-SS	3	10/P	
23		ASYS-HLDR-TRAY-BUF-PIT2	1	1/P	
24	56527508	MOTR-EXT-RLR-BUF-RBT	1	1/C	
25		DMPR-OWHF10-10NRS	1	1/D	
26		ESC-0912	1	10/P	
27		S/PAN/SWWS-M3X6-NI	2	10/P	
28		S/TPS/FHEXM/R-3X8-ZU3	4	10/P	
29		ASYS-HLDR-MOTR-BUF	1	1/P	
30	56527507	MOTR-S-TRAY-BUFFER-RBT	1	1/C	
31		PLY-MOTOR	1	1/P	
32		P/SPW/AW-2X10-SS	1	10/P	
33		UAMS-05S-2	2	5/P	
34		LWS-3S-V0	2	5/P	
35		DMPR-OWHF10-10NLS	1	1/D	
36		TSB-1909N	1	1/P	
37		ASYS-PLT-TENSSION-BUF	1	1/P	
38		SPG-TENSSION-BUF-RBT	1	1/P	
39		HRNS-CPL	1	1/P	
40		LWS-0711Z	6	5/P	
41		3382330-30065	3	5/P	
42		S/TPD3/FHEXM-3X12-ZU3	3	10/P	
43		S/TPS/FHEXM/R-3X6-ZU3	18	10/P	
44		PLATE-EARTH-EXIT-PIT	1	1/P	
45		BRUSH-EXIT-PIT	1	1/KP	
46		RSG-100	2	5/P	
48		COV-BUF-HRNS-PIT-L	2	1/P	
50		FELT-SOL-BUF-PIT	1	5/P	

This Illustrated Parts Manual is to be used for part identification. Part numbers for the most often used parts are listed. To obtain parts for items that do not list an associated part number contact:

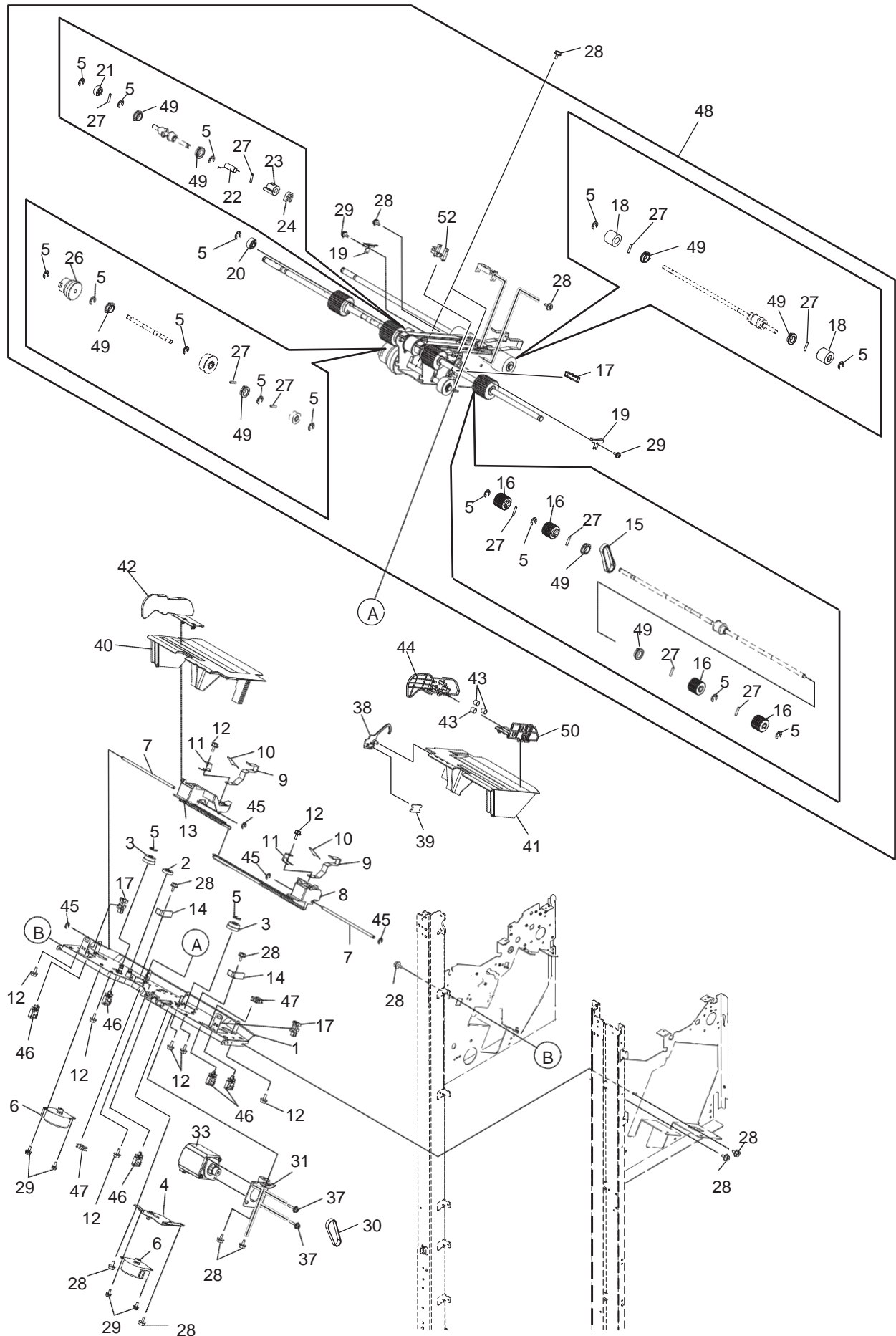
**Oki Data Technical Support at 866.654.1725**  
for specific part numbers and part ordering information



ITEM No.	PART No.	PART NAME	Q'TY / PAGE	Q'TY / PACK	REMARKS
2		ARM-E-RLR-BUFFER	1	1/P	
3		SFT-EXT-RLR-BUF-PIT	1	1/P	
5		RLR-EXIT-BUFFER-PIT	1	1/KP	
6		ASYS-DAMPER-LVR-F-RBT	1	1/C	
7		GEAR1-EXT-RLR-BUF	1	1/P	
8		BUSH-5-POM-BUF	1	5/P	
9		BUSH-6-NU4	1	1/P	
10		GEAR-IDLER-EXT-BUF	1	1/P	
11		GEAR2-EXT-RLR-BUF	1	1/P	
12		SFT-EXT-RLR-DRV-BUF-PIT	1	1/P	
13		PULLY-S2M30-6-5	1	1/P	
14		P/PRL/AH7-2X10-SS	3	10/P	
15		RR/E-4-SS	11	10/P	
16		STOP-RING-4	1	5/P	
17		PLY-MOTOR	1	1/P	
18		GLOMET-6X8X11	1	5/P	
19		ASYS-DAMPER-LVR-R-RBT	1	1/C	
20		ASYS-TRAY-BELT-BUF-RBT	1	1/KP	
22		GUIDE-TRAY-UP	2	1/P	
23		TRAY-F-BUF-PIT	1	1/PP	
24		TRAY-R-BUF-PIT	1	1/PP	
25		RLR-EXIT-TRAY-PIT	2	1/P	
26		SFT-EXT-PINCH-RLR-BUF-PIT	2	1/P	
27		BUSH-4X8X4.5XF10	4	1/P	
28		CHIP-TRAY-SLIDE-BUF	4	5/P	
29		RR/E-3-SS	5	10/P	
30		RR/E-2-SS	4	10/P	
31		S/TPP/FHEXM-3X10-NI	4	10/P	
32		SFT-TRY-BUF	1	1/P	
33		BLT-40S2M-122-BUF-PIT2	1	1/P	
34		CVR-BUF-R-PIT	1	1/P	
35		ASYS-ARM-DROP-PIT	1	1/PP	
36		SPG-ARM-BUF	1	1/P	
37		SFT-DROP-AST-BUF	1	1/P	
38		BRUSH-AST-ARM-BUF	1	1/C	
39		SPG-EXT-BUF	2	1/P	
41		S/TPS/FHEXM/R-3X6-ZU3	4	10/P	
42		DUMPER-TRAY-SIDE	2	1/P	
44		WASHER-4.3X10.6X0.075	4	5/P	
45		MYLAR-ARM-DROP-PIT	1	1/P	

This Illustrated Parts Manual is to be used for part identification. Part numbers for the most often used parts are listed. To obtain parts for items that do not list an associated part number contact:

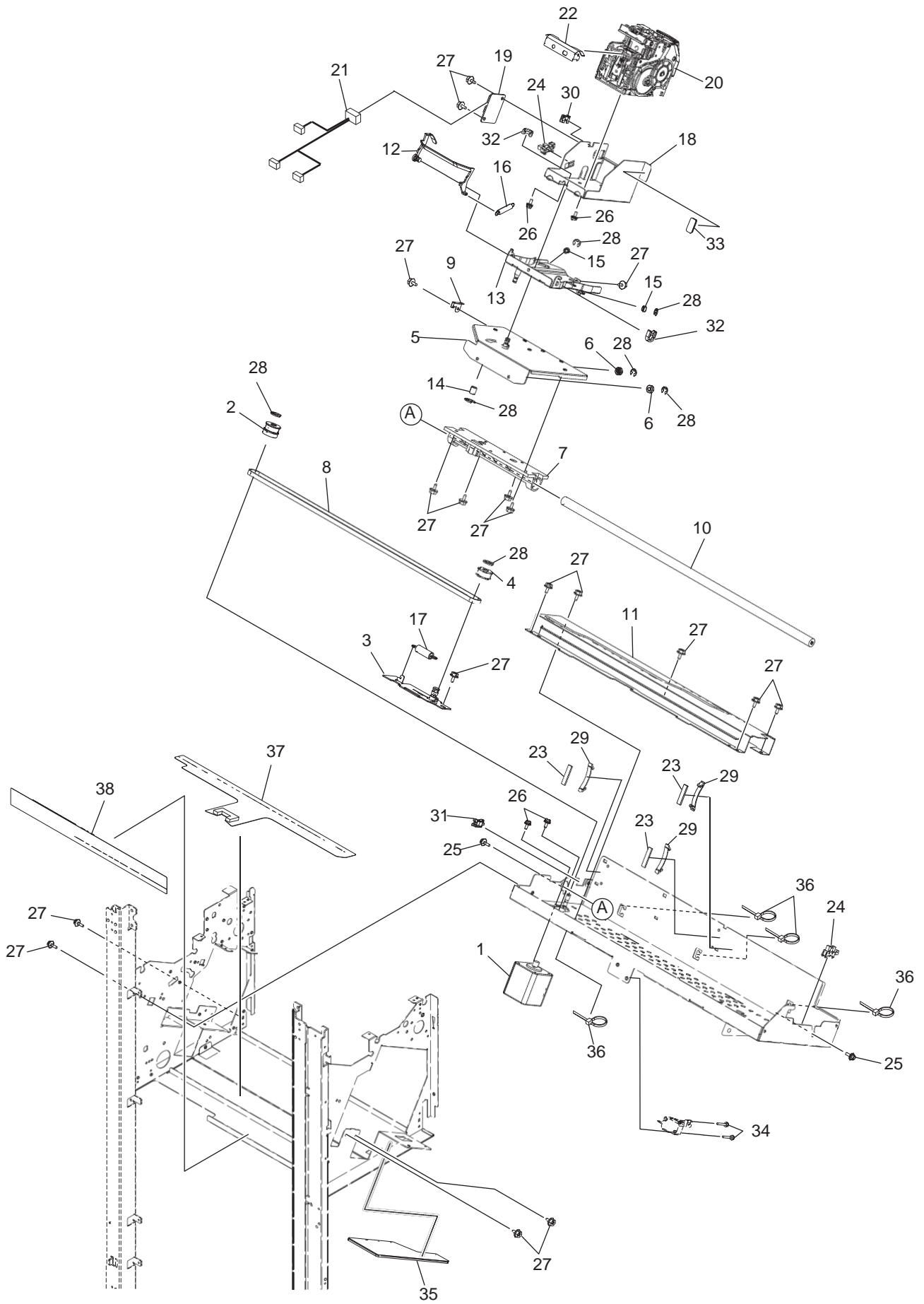
**Oki Data Technical Support at 866.654.1725**  
for specific part numbers and part ordering information



ITEM No.	PART No.	PART NAME	Q'TY / PAGE	Q'TY / PACK	REMARKS
1		ASYS-BASE-BTM-PLATE	1	1/P	
2		GEAR-10S16-6-SO	1	1/P	
3		GEAR-5S40-10S16-6-PIT	2	1/P	
4		ASYS-BRKT-MOTR-SO	1	1/P	
5		RR/E-4-SS	17	10/P	
6	56527201	MOTR-PM42-5S16-VI	2	1/C	
7		SHAFT-GUIDE-P-SIDE	2	1/P	
8		RACK-GUIDE-P-SIDE-FR	1	1/KP	
9		PLATE-STOP-RR-SIDE	2	1/P	
10		MYLAR-P-PRESS-SO	2	1/KP	
11		PLATE-EARTH-SO	2	1/C	
12		S/TPP/FHEXM-3X6-NI	8	10/P	
13		RACK-GUIDE-P-SIDE-RR	1	1/KP	
14		PLATE-SLIDE-GUIDE	2	1/P	
15		BLT-60S2M-134-SF	1	1/P	
16		ASYS-RLR-SF-22R5	4	1/P	
17		GP1A73ARJ00F	3	1/P	
18		ASYS-RLR-SF	2	1/P	
19		CVR-FRM-INSIDE-02	2	1/P	
20		GEAR-10S16-6	1	1/P	
21		GEAR-10S14-6-DV	1	1/P	
22		SPG-SFFD-SUPT-SF	1	5/P	
23		HLDR-SPG-SFAA	1	1/P	
24		STOP-RING-6-5-POM	1	5/P	
26		CLUCH-26G-6-10S30	1	1/D	
27		P/PRL/AH7-2X10-SS	10	10/P	
28		S/TPS/FHEXM/R-3X6-ZU3	13	10/P	
29		S/PAN/SWWS-M3X6-NI	6	10/P	
30		BLT-60S2M138-SF-PIT	1	1/P	
31		BRKT-MOTR-SF-RBT	1	1/P	
33	56527509	MOTR-HB42K4-S2M20-VI-RBT	1	1/C	
37		S/PAN/SWWP-M3X6-ZU3	2	10/P	
38		ACTR-P-SNSR-SO	1	1/P	
39		PLATE-P-SNSR-SO	1	1/P	
40		ASYS-TABLE-F-PR-TRAY-RBT	1	1/PP	
41		ASYS-TABLE-R-PR-TRAY-RBT	1	1/PP	
42		CARR-GUIDE-P-SIDE-RR	1	1/D	
43		SPG-GUIDE-P-SIDE-FR	3	5/P	
44		DMPR-GUIDE-P-SIDE-FR	1	1/P	
45		RR/E-3-SS	4	10/P	
46		LWS-3S-V0	5	5/P	
47		DS-02S	2	5/P	
48		ASYB-SHEAF-FEED-RBT	1	1/C	
49		CAM METAL	8	1/P	
50		CARR-GUIDE-P-SIDE-FR	1	1/P	
52		LG285D1	1	1/P	

This Illustrated Parts Manual is to be used for part identification. Part numbers for the most often used parts are listed. To obtain parts for items that do not list an associated part number contact:

**Oki Data Technical Support at 866.654.1725**  
for specific part numbers and part ordering information

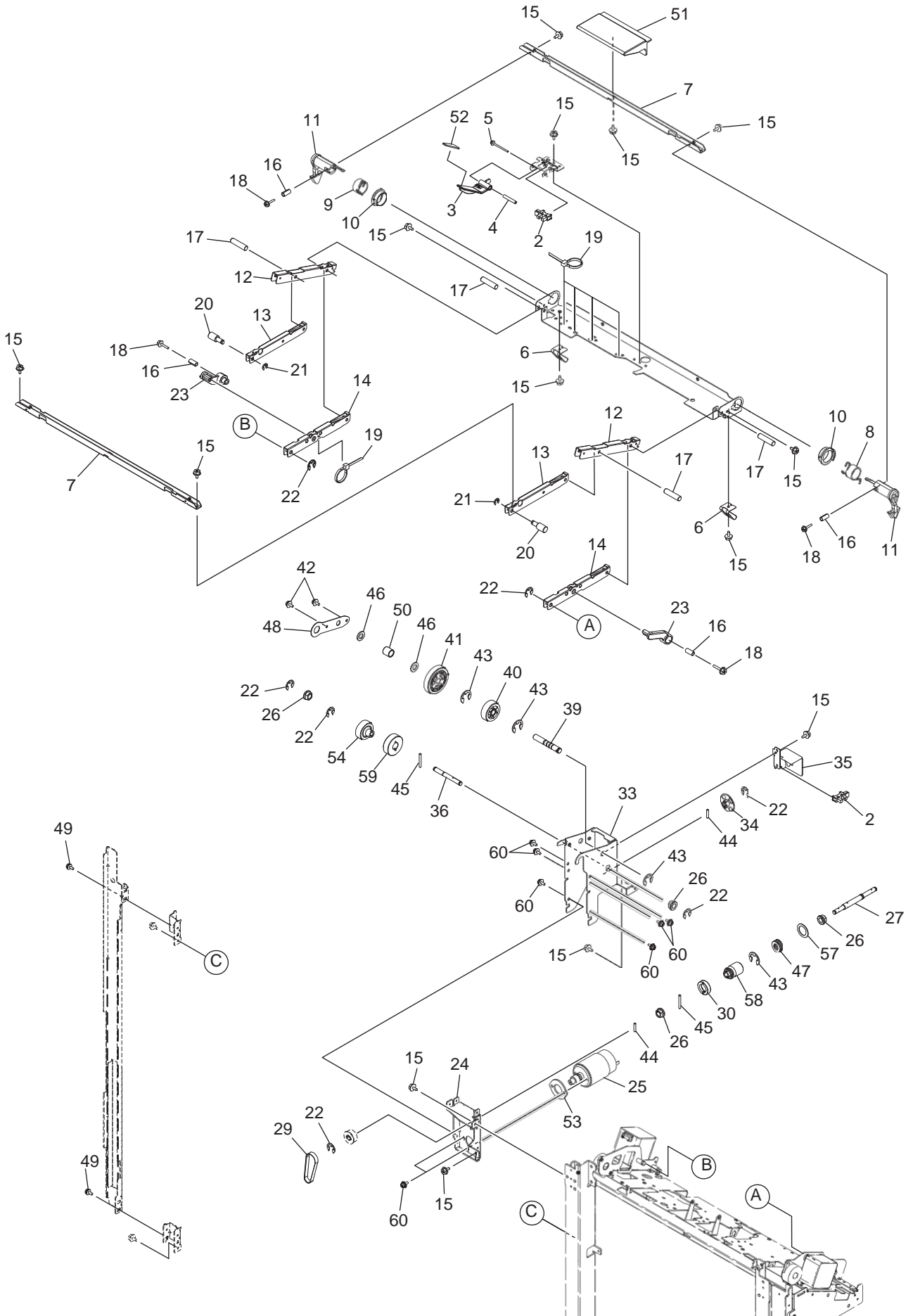


ITEM No.	PART No.	PART NAME	Q'TY / PAGE	Q'TY / PACK	REMARKS
1	56527207	MOTR-HB42-5S15-SP	1	1/C	
2		PLY-S3M20-GEAR-5S40	1	1/P	
3		ASYS-PLT-PLY-STPL	1	1/P	
4		PLY-CARR-STPL	1	1/P	
5		ASYS-CARR-STPL	1	1/P	
6		RLR-CARR-STPL	2	1/P	
7		ASYS-S-CARRIER	1	1/P	
8		BLT-60S3M-900-SP	1	1/P	
9		PLATE-EARTH-STPL	1	1/P	
10		SHAFT-CARR-STPL	1	1/P	
11		PLATE-TURN-RAIL	1	1/P	
12		ACTR-STPL	1	1/C	
13		ASYS-BASE-STPL	1	1/P	
14		RLR-SLIDE-STPL	1	1/P	
15		RLR-BASE-STPL	2	1/P	
16	55105101	SPG-ACRT-STPL	1	1/P	
17		SPG-CARR-STPL	1	1/P	
18		PLATE-TURN-STPL	1	1/P	
19		PWA-SPR-101	1	1/C	
20		EH590T-STPL	1	1/C	
21		HRNS-SPRCAR	1	1/P	
22		PLATE-GID-HOLD-ARM	1	1/C	
23		RUBR-STPL	3	5/P	
24		GP1A73ARJ00F	2	1/P	
25		S/PAN/SWWP-M3X8-NI	2	10/P	
26		S/PAN/SWWS-M3X6-NI	4	10/P	
27		S/TPS/FHEXM/R-3X6-ZU3	18	10/P	
28		RR/E-3-SS	7	10/P	
29		FCR-30	3	5/P	
30		DS-02S	1	5/P	
31		ESC-0912	1	10/P	
32		STOP-RING-6-5-POM	2	5/P	
33		LABEL-GREEN-1	1	5/P	
34		S/TPS/PAN-3X16-ZU3	2	10/P	
35		SHEET-FRM-FRT-ALIGN	1	1/KP	
36		SKB-1	4	5/P	
37		ASYS-MYLER-SPONGE-TOP-SDL	1	1/KP	
38		GUID-MYLER-TOP-SDL	1	1/KP	

This Illustrated Parts Manual is to be used for part identification. Part numbers for the most often used parts are listed. To obtain parts for items that do not list an associated part number contact:

**Oki Data Technical Support at 866.654.1725**  
for specific part numbers and part ordering information

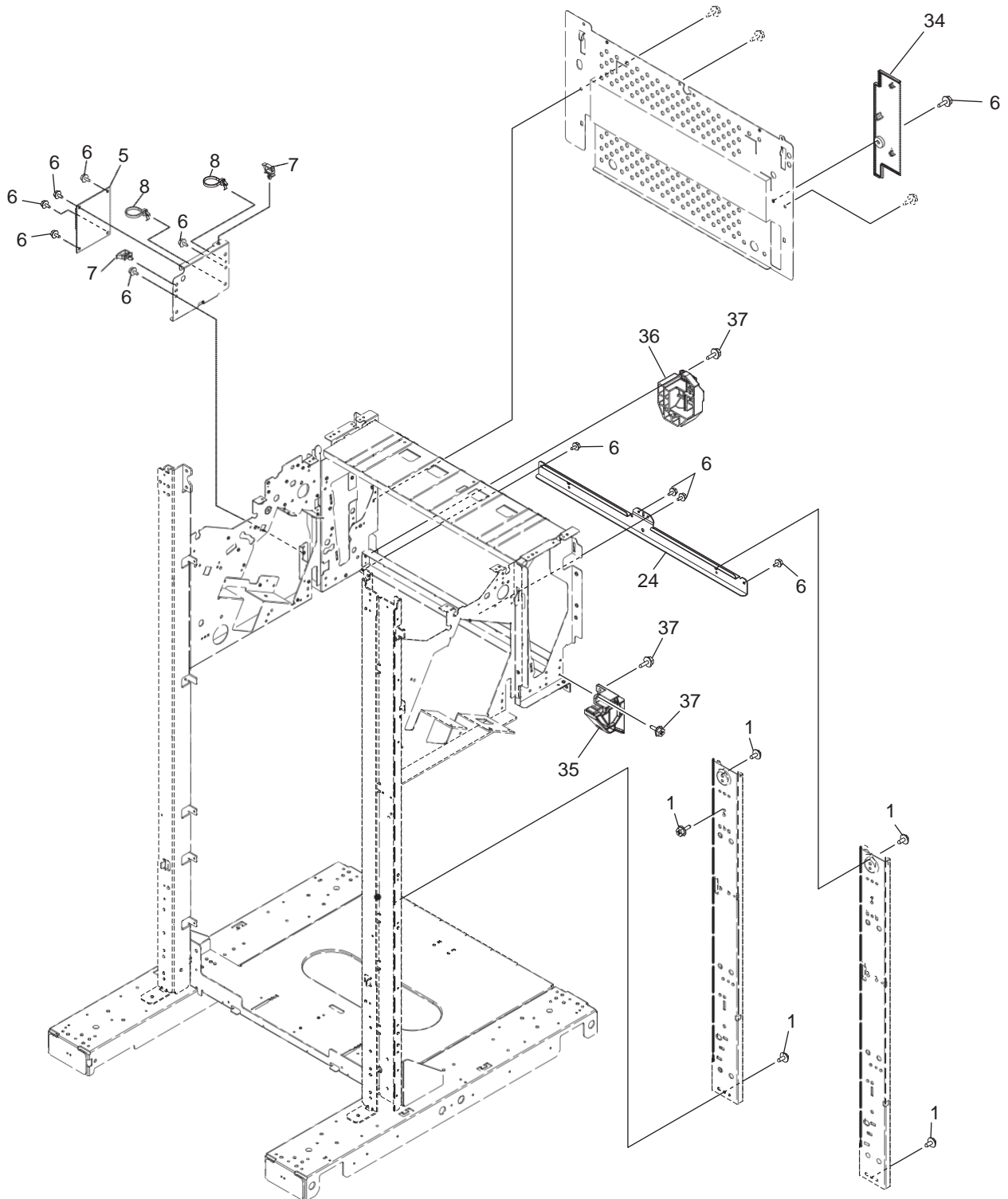




ITEM No.	PART No.	PART NAME	Q'TY / PAGE	Q'TY / PACK	REMARKS
2		GP1A73ARJ00F	2	1/P	
3		ACT-TRAY-BU-C	1	1/P	
4		3382330-30250	1	5/P	
5		S/PAN/SWWP-M3X30-NI	1	10/P	
6		PLT-SPG-TRAY-CH-BU-C	2	1/P	
7		LVR-PLT-SFT-BU-C	2	1/P	
8		SPG-LVR-OPN-F-BU-C	1	1/P	
9		SPG-LVR-OPN-R-BU-C	1	1/P	
10		BUSH-LEVER-BU-C	2	5/P	
11		LEVER-BU-C	2	1/P	
12		PLATE-LINK-BU-C	2	1/P	
13		LINK-TRAY-PIT-BU-C	2	1/P	
14		LINK-TRAY-BU-C	2	1/P	
15		S/TPS/FHEXM/R-3X6-ZU3	14	10/P	
16		3382330-30090	4	5/P	
17		PIN-5X20	4	10/P	
18		S/TPD3/FHEXM-3X12-ZU3	4	10/P	
19		SKB-1	5	5/P	
20		SD-PIVOT-D-BU-C	2	1/P	
21		RR/E-3-SS	2	10/P	
22		RR/E-5-SS	8	10/P	
23		LINK-COV-BTM-BU-C	2	1/P	
24	56527510	STAY-BOX-GEAR-RBT	1	1/P	
25		ASYS-DRV-MOTR-TRAY-RBT	1	1/C	
26		BUSH-6-NU4	4	1/P	
27		SHAFT-WORM-GEAR-PIT	1	1/P	
29		BLT-60S2M130-PIT	1	1/P	
30		CAP-WORM-PIT	1	1/P	
33		BOX-GEAR-DRV-RBT	1	1/P	
34		DISC-SNSR-TD-PIT	1	1/P	
35		BOX-SNSR-DISC-TD-PIT	1	1/P	
36		SHAFT-WORM-WHL-PIT	1	1/P	
39		SHAFT-IDL-DRV-TRAY-PIT	1	1/P	
40		GEAR-12R5S23-8-PIT	1	1/P	
41		GEAR-12R5S33-8-PIT	1	1/P	
42		S/PAN/SWWP-M3X6-ZU3	2	10/P	
43		RR/E-7-SS	4	10/P	
44		P/PRL/AH7-2X10-SS	2	10/P	
45		P/PRL/AH7-2X16-SS	2	10/P	
46		W/PL/SJ0-8-NI	2	5/P	
47		CRT6-12-GV22	1	1/P	
48		PLATE-BOX-G-R-PIT	1	1/P	
50		SPG-DRV-TRAY-PIT	1	1/P	
51		LEVER-TRAY-BU-C-PIT2	1	1/P	
52		DMPR-TRAY-BU-C-PIT	1	1/P	
53		DAMPER-GEAR-BOX-TRAY-RBT	1	1/P	
54		GEAR-12R5S21-6-TRAY	1	1/P	
56		PULLY-S2M30-6-SF	1	1/P	
57		RUBB-SPCR-TRAY	1	5/P	
58		WORM-GEAR-TRAY	1	1/P	
59		WORM-WHEEL-10-6-TRAY	1	1/P	
60		S/PAN/SWWP-M3X8-NI	8	10/P	

This Illustrated Parts Manual is to be used for part identification. Part numbers for the most often used parts are listed. To obtain parts for items that do not list an associated part number contact:

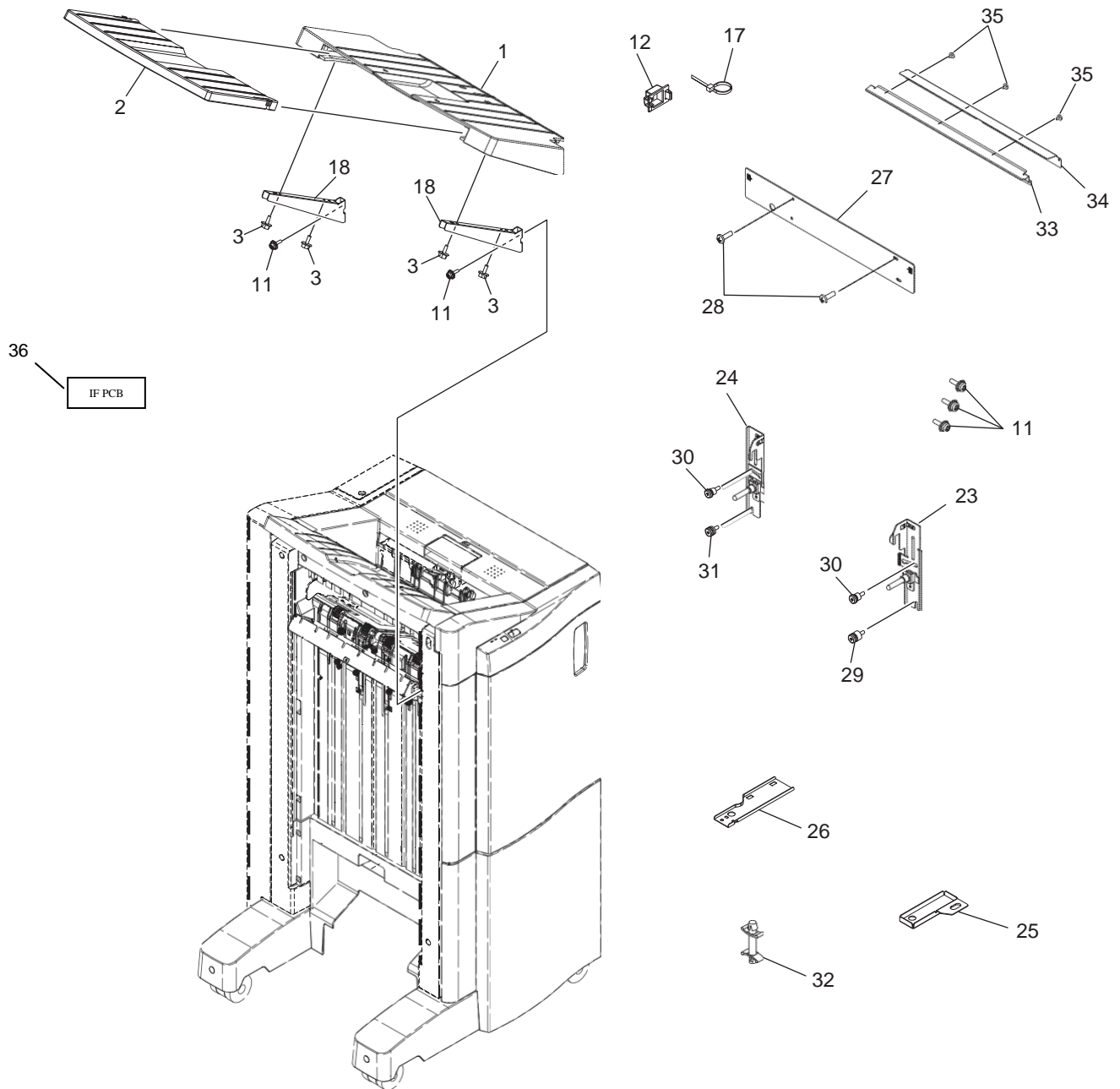
**Oki Data Technical Support at 866.654.1725**  
for specific part numbers and part ordering information



ITEM No.	PART No.	PART NAME	Q'TY / PAGE	Q'TY / PACK	REMARKS
1	55120206	S/TPS/FHEXM/R-4X8-ZU3	5	10/P	
5		PWA-PTJ-IF	1	1/SB	
6		S/TPS/FHEXM/R-3X6-ZU3	11	10/P	
7		LWS-3S-V0	2	5/P	
8		RSG-100	2	5/P	
24		BRKT-VER-MBR-SDL	1	1/P	
34		COVER-RIGHT HOLDER-	1	1/P	
35		STUD-CN-F HOLDER-	1	1/P	
36		STUD-CN-R	1	1/P	
37		S/TPS/FHEXM/R-3X8-ZU3	3	10/P	

This Illustrated Parts Manual is to be used for part identification. Part numbers for the most often used parts are listed. To obtain parts for items that do not list an associated part number contact:

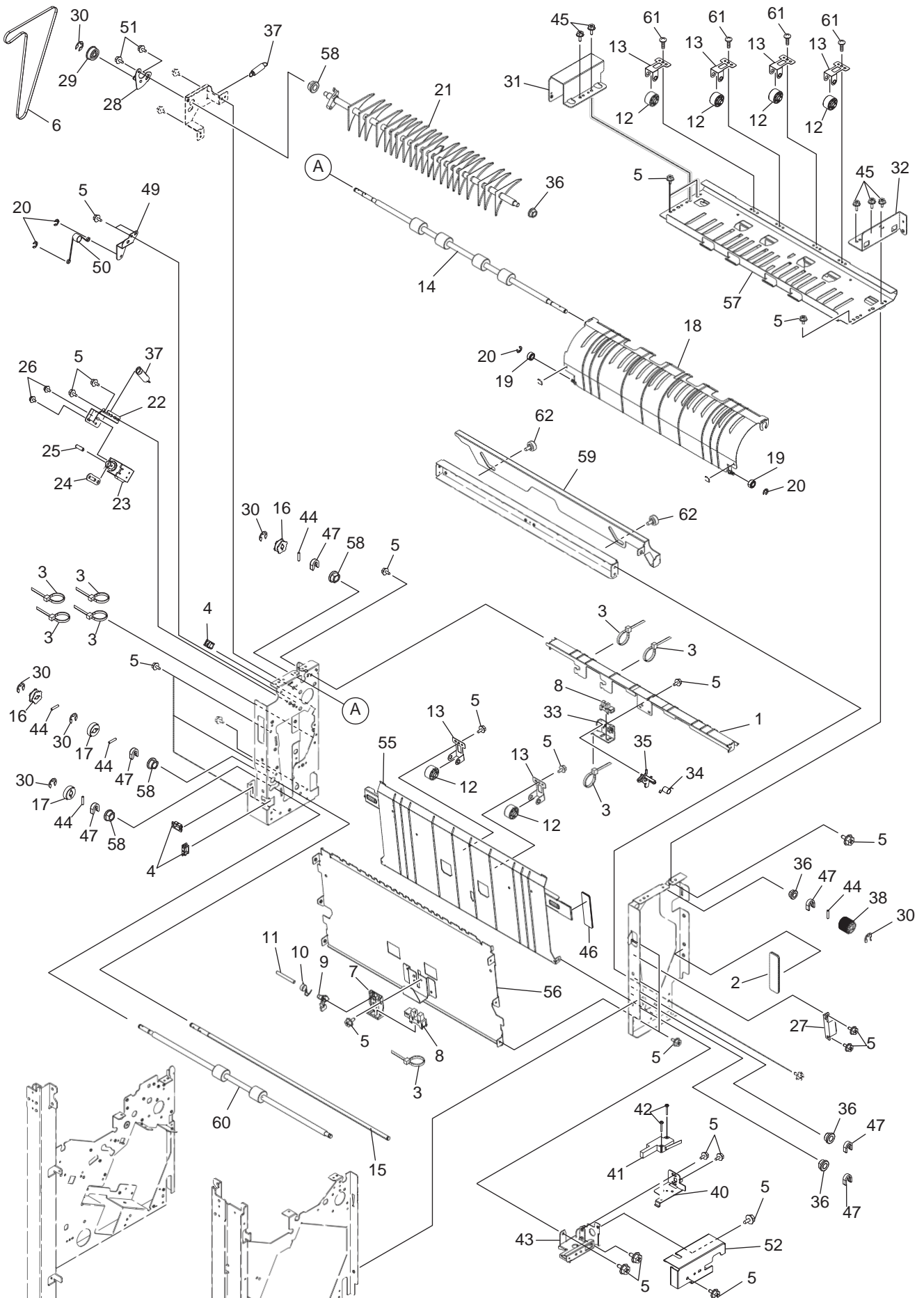
**Oki Data Technical Support at 866.654.1725**  
for specific part numbers and part ordering information



ITEM No.	PART No.	PART NAME	Q'TY / PAGE	Q'TY / PACK	REMARKS
1		TRAY-FN-PIT-02	1	1/PP	
2		SUBTRAY_MODEL_TRAY-PIT2	1	1/PP	
3		S/TPP/FHEXM-3X6-NI	4	10/P	
11		S/PAN/SWWP-M3X8-NI	5	10/P	
12		COVER-CABLE-REAR-RBT	1	1/P	
17		SKB-1	1	5/P	
18		STAY-BIN-TRAY-PIT-01	2	1/P	
23		ASYS-HOOK-LBL-FRT	1	1/P	
24		ASYS-HOOK-REAR-RBT	1	1/P	
25		BRKT-B-COV-P-RBT	1	1/P	
26		BRKT-RB-COV-PIP	1	1/P	
27		PLATE-RELAY-UNIT-DVG	1	1/P	
28		S/TPS/BID-4X10-NC	2	10/P	
29		SCREW-PIN-HOOK-F-2	1	5/P	
30		SCREW-PIN-HOOK-F-R	2	5/P	
31		SCREW-PIN-HOOK-R-2	1	5/P	
32		SPD-7U	1	5/P	
33		GUIDE-FEED-PH-U	1	1/P	
34		GUIDE-FEED-PH-L	1	1/P	
35		S/BID-M3X4-NI	3	10/P	
36	55102701	ASY-CNV-101	1	1/C	

This Illustrated Parts Manual is to be used for part identification. Part numbers for the most often used parts are listed. To obtain parts for items that do not list an associated part number contact:

**Oki Data Technical Support at 866.654.1725**  
for specific part numbers and part ordering information

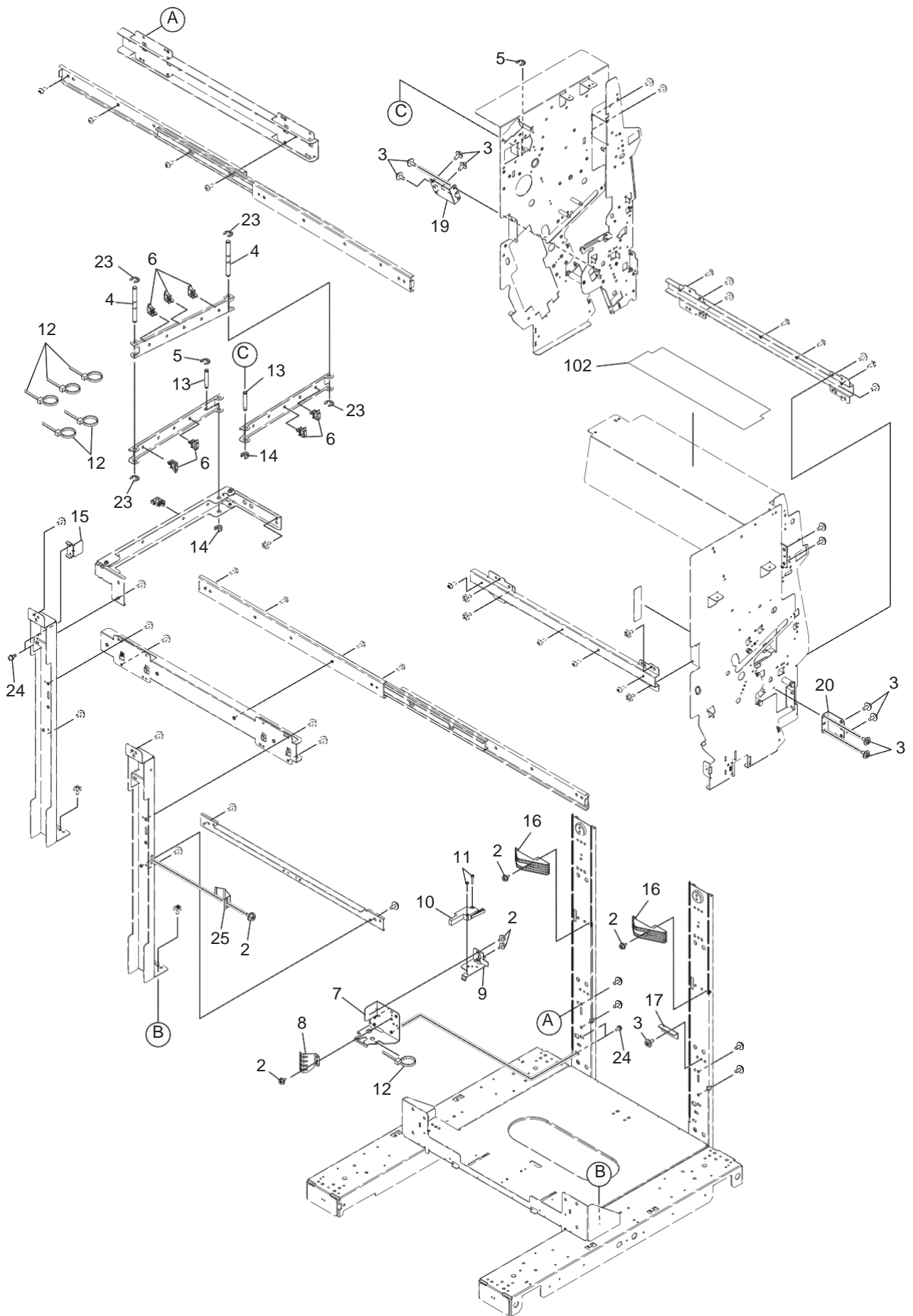


ITEM No.	PART No.	PART NAME	Q'TY / PAGE	Q'TY / PACK	REMARKS
1		GUIDE-JCT-IN-L-RBT	1	1/P	
2		SHEET-FRM-JCT-PIT	1	1/P	
3		SKB-1	8	5/P	
4		ESC-0912	3	10/P	
5		S/TPS/FHEXM/R-3X6-ZU3	27	10/P	
6		BLT-40S2M-520-JCT-PIT	1	1/P	
7		PLT-SEN-A-BU-C	1	1/P	
8		GP1A73ARJ00F	2	1/P	
9		ACT-SENS-PIT	1	1/P	
10		SPG-AC-BU-C	1	1/C	
11		P/PRL/AH7-3X25-SS	1	10/P	
12		RLR-D20XL11-SDL	6	1/P	
13		PLATE-RLR-JB-PIT	6	1/P	
14		RLR-FEED-1-JBP-PIT2	1	1/KP	
15		SHAFT-IDLE-JCT-PIT	1	1/P	
16		PULLY-S2M30-6-5	2	1/P	
17		GEAR-FEED-LOW-6	2	1/P	
18		ASYS-GUIDE-F3-JB-PIT	1	1/KP	
19		RLR-BASE-STPL	2	1/P	
20		RR/E-3-SS	4	10/P	
21		FLAP-JBP-PIT	1	1/KP	
22		ASYS-BRKT-SOL-FLP-BU-C	1	1/P	
23		SOL-10-SL-BUF	1	1/D	
24		ASYS-SOL-LINK-BU-C	1	1/P	
25		P/SPW/AW-3X10-SS	1	10/P	
26		S/PAN/SWWP-M3X5-NI	2	10/P	
27		CA-0124B	1	1/P	
28		ASYS-TENS-JBP-PIT	1	1/P	
29		PULLY-TEN-S2M30-6-5	1	1/P	
30		RR/E-5-SS	6	10/P	
31		BRKT-TOP-P-R	1	1/P	
32		BRKT-TOP-P	1	1/P	
33		BRKT-SNSR-RLR-1	1	1/P	
34		SPG-FEED-SNSR-1	1	1/P	
35		ACTR-SNSR-RLR-1	1	1/C	
36		BUSH-6-POM	4	5/P	
37		SPG-FLP-BU-C	2	1/P	
38		KNOB-PIT2	1	1/P	
40		PLT-TURN-SNSR	1	1/P	
41		AM51632C731N	1	1/D	
42		S/TPS/PAN-3X16-ZU3	2	10/P	
43		BRKT-DOOR-SNSR	1	1/P	
44		P/PRL/AH7-2X10-SS	5	10/P	
45		S/TPS/FHEXM/R-3X8-ZU3	7	10/P	
46		LABEL-GREEN-RBT	1	1/P	
47		STOP-RING-6-5-POM	6	5/P	
49		ASYS-HLD-SPG-FRM-PIT	1	1/P	
50		SPG-CLOSE-JBP-RER	1	1/P	
51		S/PAN/SWWP-M3X6-ZU3	2	10/P	
52		PLT-F-SNSR-PIT	1	1/P	
55		ASYS-GUIDE-F4-JB-RBT	1	1/D	
56		ASYS-GUIDE-F5-JB-RBT	1	1/P	
57		ASYS-GUIDE-JCT-IN-U	1	1/D	
58		BUSH-6-NU4	4	1/P	
59		LEVER-LOCK-RBT	1	1/P	
60		RLR-FEED-1-JBP-RBT2	1	1/KP	
61		S/BID-M3X4-NI	4	10/P	
62		SCREW-LEVER-M3_6	2	1/P	

This Illustrated Parts Manual is to be used for part identification. Part numbers for the most often used parts are listed. To obtain parts for items that do not list an associated part number contact:

**Oki Data Technical Support at 866.654.1725**  
for specific part numbers and part ordering information

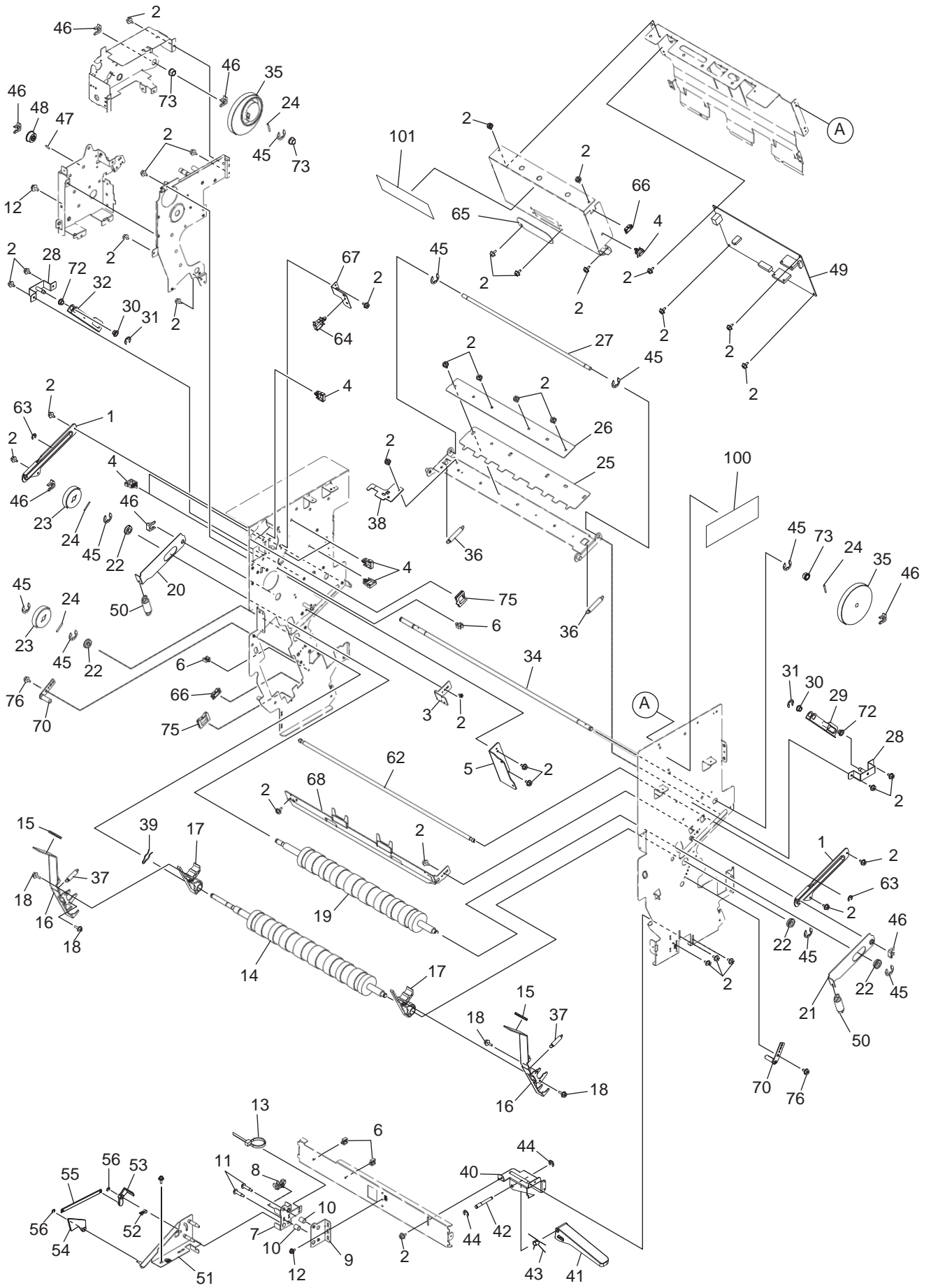




ITEM No.	PART No.	PART NAME	Q'TY / PAGE	Q'TY / PACK	REMARKS
2		S/TPS/FHEXM/R-3X6-ZU3	6	10/P	
3		S/TPS/FHEXM/R-4X8-ZU3	9	10/P	
4		SFT-BIG-GUIDE-HARNESS	2	1/P	
5		RR/E-5-SS	2	10/P	
6		LWS-0711Z	7	5/P	
7		BRKT-MGNT-SNSR-MTG	1	1/P	
8		EARTH-PLATE-SDL	1	1/D	
9		PLT-TURN-SNSR	1	1/P	
10		AM51632C731N	1	1/D	
11		S/TPS/PAN-3X16-ZU3	2	10/P	
12		SKB-1	6	5/P	
13		SFT-SMALL-GUIDE-HARNESS	2	1/P	
14		STOP-RING-4	2	5/P	
15		PLT-MAGNET-SDL	1	1/P	
16		GID-FEED-CLOSE-SWBK	2	1/P	
17		BRKT-STOPPER-FR-FRM-SDL	1	1/P	
19		BRKT-MOUNTED-SDL-RR	1	1/P	
20		BRKT-MOUNTED-SDL-FR	1	1/P	
23		RR/E-4-SS	4	10/P	
24		S/PAN/SWWS-M3X6-NI	4	10/P	
25		PLT-SPG-FOLD-SDL	1	1/D	
102		LABEL-JAM-ACCESS-SDL2	1	1/KP	

This Illustrated Parts Manual is to be used for part identification. Part numbers for the most often used parts are listed. To obtain parts for items that do not list an associated part number contact:

**Oki Data Technical Support at 866.654.1725**  
for specific part numbers and part ordering information



ITEM No.	PART No.	PART NAME	Q'TY / PAGE	Q'TY / PACK	REMARKS
1		RAIL-BLADE-FD-R	2	1/P	
2		S/TPS/FHEXM/R-3X6-ZU3	41	10/P	
3		BRKT8-PLT-FOLD-SDL	1	1/P	
4		LWS-3S-V0	7	5/P	
5		BLKT-STAPLE-MOUNT-SDL	1	1/P	
6		UAMS-05S-2	4	5/P	
7		PLT-SEN-SLIDE-SDL	1	1/P	
8		LG248NL1	1	1/P	
9		BRKT-SEN-STAY-SDL	1	1/P	
10		SPG-ACTR-SLIDE-SDL	2	1/P	
11		SCREW-SOCKET	2	1/P	
12		S/PAN/SWWP-M3X6-ZU3	2	10/P	
13		SKB-1	1	5/P	
14		RLR-FOLD-MAIN	1	1/KP	
15		LABEL-GREEN-2-SDL	2	5/P	
16		ARM3-FOLD-ROL-SDL	2	1/P	
17		LINK1-FOLD-ROL-SDL	2	1/P	
18		S/TPP/FHEXM-3X8-NI	4	10/P	
19		RLR-FOLD-UPR	1	1/KP	
20		PLT1-FOLD-RER-SDL	1	1/P	
21		PLT1-FOLD-FRT-SDL	1	1/P	
22		LNR-1680HHRP0P15LY13	4	1/P	
23		GEAR-25S16-8-SDL	2	1/P	
24		P/PRL/AH7-2X16-SS	4	10/P	
25		PLATE-BLADE	1	1/KP	
26		PLATE-COV-BLADE	1	1/KP	
27		SHAFT-BLADE-FOLD	1	1/P	
28		ASYS-BRACKET5-SDL	2	1/P	
29		ASYS-LINK-FOLD-FR-SDL	1	1/P	
30		BUSH-6-NU4	2	1/P	
31		RR/E-5-SS	2	10/P	
32		ASYS-LINK-FOLD-RR-SDL	1	1/P	
34		SHAFT-BLADE-CAM	1	1/P	
35		CAM-BLADE-SDL	2	1/P	
36		SPG-E-7R6XR6X42R-SDL2	2	1/P	
37		SPG-HRG-P	2	1/P	
38		PLT5-FOLD-SENS-SDL-L	1	1/P	
39		PIN ROUND HEAD EJECTOR	1	1/	
40		PLT-UNIT-SUPT-SDL	1	1/P	
41		BRKT-UNIT-SUPT-SDL	1	1/P	
42		SFT-UNIT-SUPT-SDL	1	1/P	
43		SPG-UNIT-SUPT-SDL	1	1/P	
44		RR/E-4-SS	2	10/P	
45		RR/E-7-SS	9	10/P	
46		STOP RING	7	1/P	
47		P/PRL/AH7-2X12-SS	1	10/P	
48		PULLY-S3M20-Y01-SDL	1	1/P	
49	55120612	ASY-SDL-106-T	1	1/SB	
50		SPG-E-14X1R6X45R6R-SDL1	2	1/P	
51		ASYS-ACTR-TRAY-SDL	1	1/P	
52		SPG-TRAY-SEN-Y01-SDL	1	1/P	
53		ACTR-TRAY-LINK-SDL	1	1/P	
54		ACTR-EXT-TRAY-Y01-SDL	1	1/P	
55		ARM-ACTR-TRAY-SDL-L	1	1/P	
56		RR/E-2-SS	2	10/P	
62		SFT-BARR-PLT-BLADE-SDL	1	1/P	
63		RR/E-3-SS	2	10/P	
64		LWS-1211Z	1	5/P	
65		CVR-MAIN-PCB-SDL-1	1	1/P	
66		ESC-0912	2	10/P	
67		BRKT-GUIDE-STAPLE-SDL	1	1/P	
68		ASYS-PLT-FOLD-RLR-SDL	1	1/KP	
70		ASYS-BRKT-PJ-SDL	2	1/P	

This Illustrated Parts Manual is to be used for part identification. Part numbers for the most often used parts are listed. To obtain parts for items that do not list an associated part number contact:

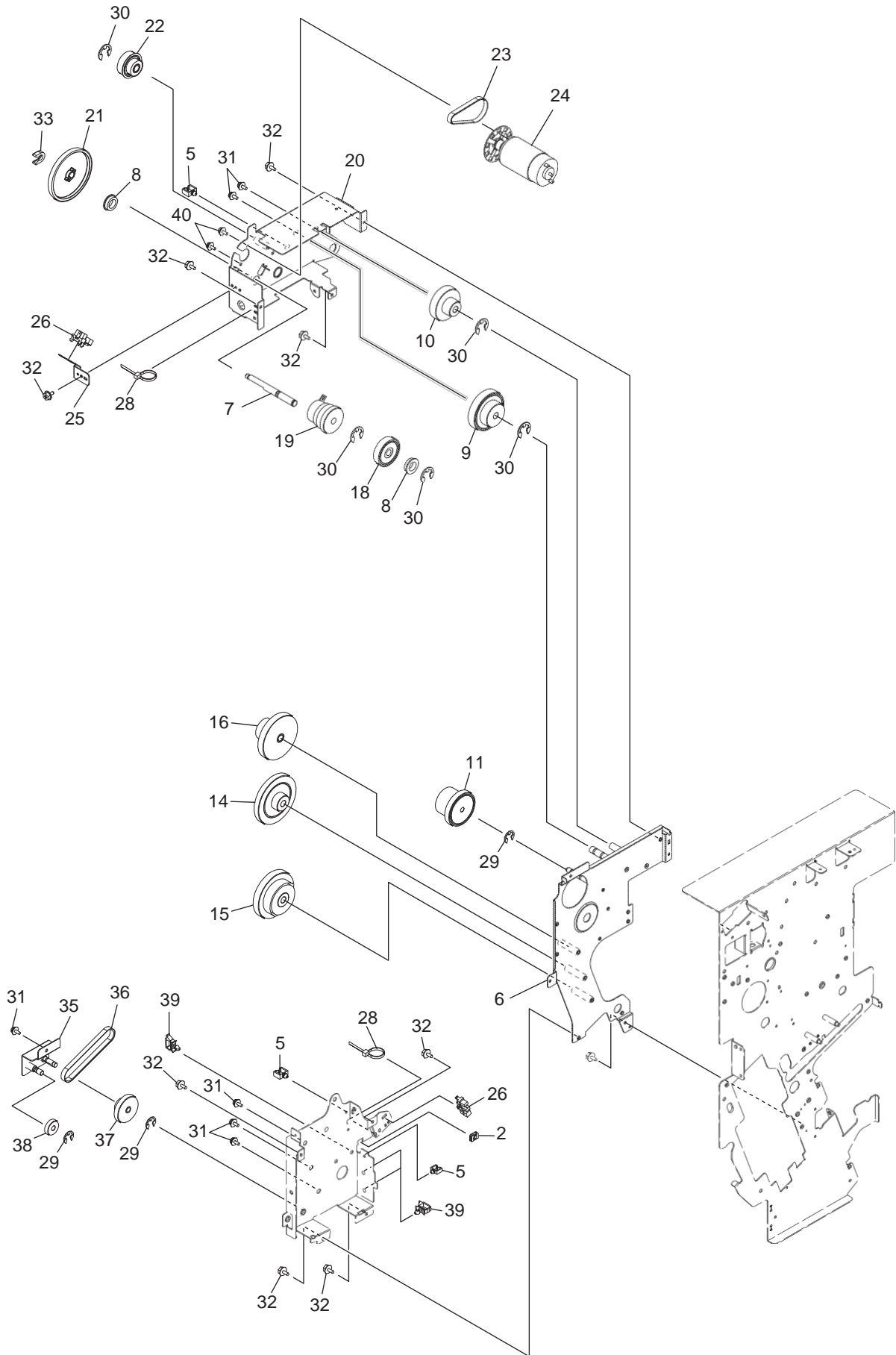
**Oki Data Technical Support at 866.654.1725**  
for specific part numbers and part ordering information

ITEM No.	PART No.	PART NAME	Q'TY / PAGE	Q'TY / PACK	REMARKS
72		BUSH-6-POM	2	5/P	
73		BUSH-8	3	5/P	
75		EDS-1717U	2	10/P	
76		S/TPS/FHEXM/R-4X8-ZU3	2	10/P	
100		LABEL-JAM-ACCESS-SDL1	1	1/KP	
101		LABEL-STPL-SDL	1	1/KP	

This Illustrated Parts Manual is to be used for part identification. Part numbers for the most often used parts are listed. To obtain parts for items that do not list an associated part number contact:

**Oki Data Technical Support at 866.654.1725**  
for specific part numbers and part ordering information



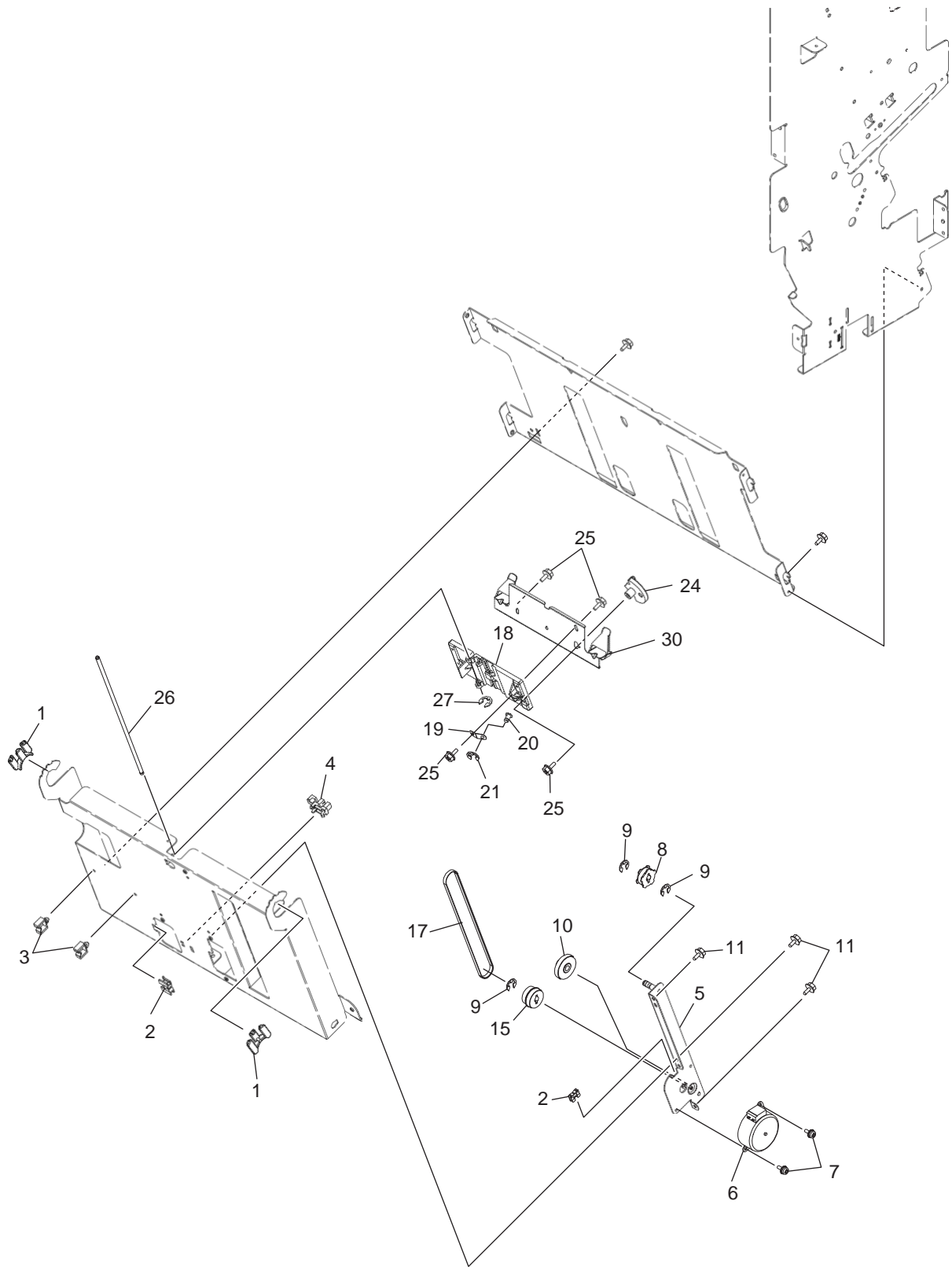


ITEM No.	PART No.	PART NAME	Q'TY / PAGE	Q'TY / PACK	REMARKS
2		DS-02S	1	5/P	
5		UAMS-05S-2	3	5/P	
6		ASYS-BRKT2-SDL	1	1/PP	
7		SHAFT-GEAR-FOLD-SDL	1	1/P	
8		DDL-1280ZZ	2	1/P	
9		GEAR-1S50_1S30-8-SDL	1	1/P	
10		GEAR-1S41_125S15-8-SDL	1	1/P	
11		GEAR-1S44_1S32-6-SDL	1	1/P	
14		GEAR-1H60_1S20-8-SDL	1	1/P	
15		GEAR-1S60-25S16-8-SDL	1	1/P	
16		GEAR-1H55_1H24-8-SDL	1	1/P	
18		GEAR-1H33L-8-CLUCH-SDL	1	1/P	
19		EL-CLUTCH-SDL	1	1/D	
20		ASYS-BRKT1-SDL	1	1/P	
21		GEAR-8H80-8-SDL	1	1/P	
22		GEAR-8H24_PS2M48-8-SDL	1	1/P	
23		BELT-60S2M-152-SDL	1	1/P	
24	56527210	ASYS-MOTOR-FOLD	1	1/C	
25		PLATE2-MTR-SENS-SDL	1	1/P	
26		LG248NL1	2	1/P	
28		SKB-1	2	5/P	
29		RR/E-5-SS	3	10/P	
30		RR/E-7-SS	5	10/P	
31		S/PAN/SWWP-M3X6-ZU3	6	10/P	
32		S/TPS/FHEXM/R-3X6-ZU3	8	10/P	
33		STOP-RING-6-5-POM	1	5/P	
35		ASYS-BRKT-GEAR-EX-F-SDL	1	1/P	
36		BLT-60S3M-201-SDL	1	1/P	
37		PLY-S3M20-GEAR-10S34	1	1/P	
38		GEAR-FEED-LOW-8	1	1/P	
39		LWS-3S-V0	3	5/P	
40		S/PAN/SWWP-M3X5-NI	2	10/P	

This Illustrated Parts Manual is to be used for part identification. Part numbers for the most often used parts are listed. To obtain parts for items that do not list an associated part number contact:

**Oki Data Technical Support at 866.654.1725**  
for specific part numbers and part ordering information

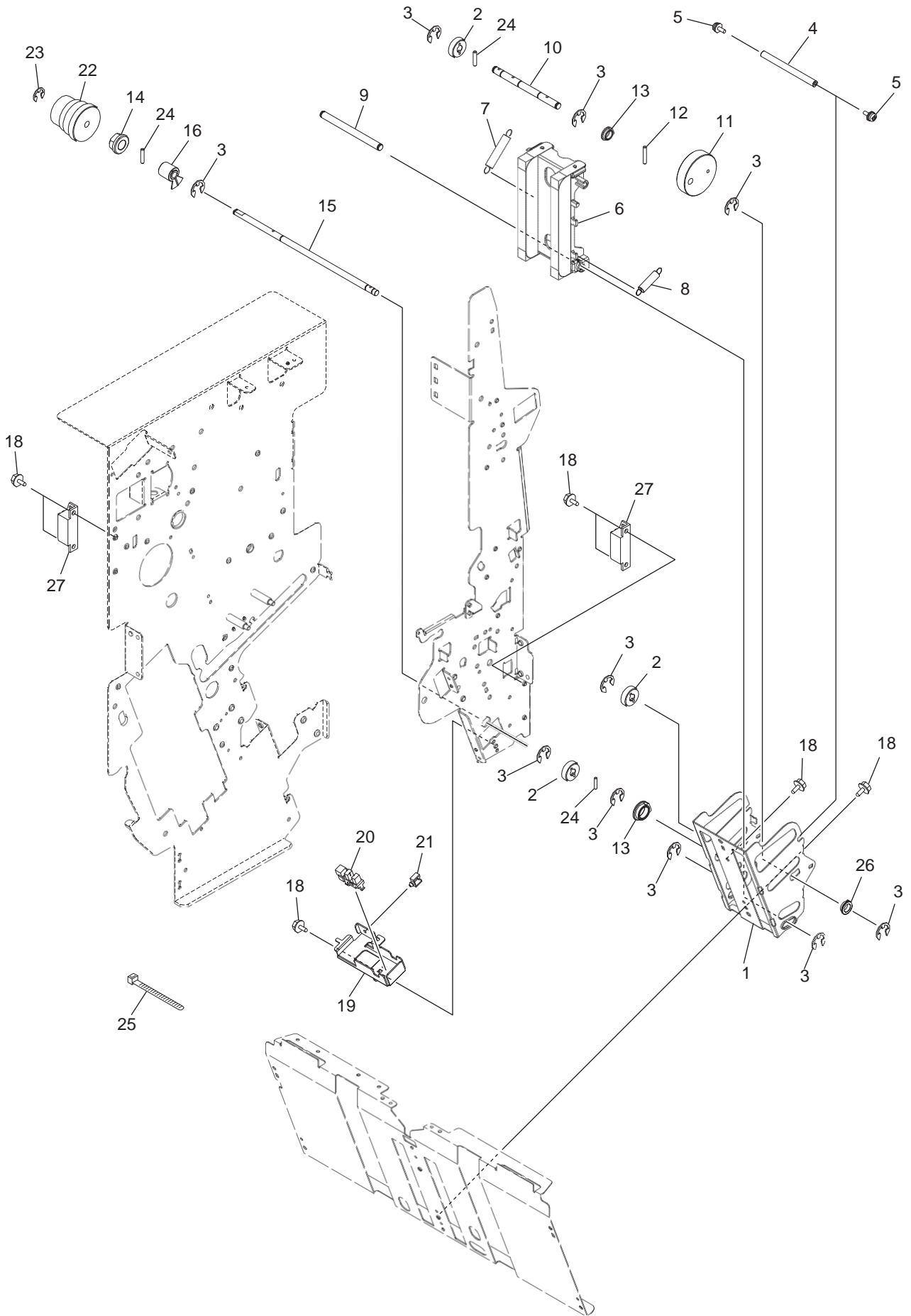




ITEM No.	PART No.	PART NAME	Q'TY / PAGE	Q'TY / PACK	REMARKS
1		BUSH-HANG-STACK-SDL	2	1/P	
2		DS-02S	2	5/P	
3		UAMS-05S-2	2	5/P	
4		LG248NL1	1	1/P	
5		ASYS-BRKT-MOTR-STACK-SDL	1	1/P	
6	56527201	MOTR-PM42-5S16-VI	1	1/C	
7		S/PAN/SWWS-M3X6-NI	2	10/P	
8		PULLY-S2M30-6-5	1	1/P	
9		RR/E-4-SS	3	10/P	
10		GEAR-5S43-5S17-5-SDL	1	1/P	
11		S/TPS/FHEXM/R-3X6-ZU3	3	10/P	
15		GEAR-5S40_PS2M30-6-SDL	1	1/P	
17		BLT-40S2M-396-SDL	1	1/P	
18		CARR-STACK-SDL	1	1/P	
19		PLATE-PUSH-CARR-SDL	1	1/P	
20		CHIP-TRAY-SLIDE-BUF	1	5/P	
21		RR/E-2-SS	1	10/P	
24		ADJSTR-STACK-SDL	1	1/P	
25		S/TPP/FHEXM-3X6-NI	4	10/P	
26		SHAFT-STACK-SDL	1	1/P	
27		RR/E-3-SS	1	10/P	
30		ASYB-ARM-STACK-SDL	1	1/PP	

This Illustrated Parts Manual is to be used for part identification. Part numbers for the most often used parts are listed. To obtain parts for items that do not list an associated part number contact:

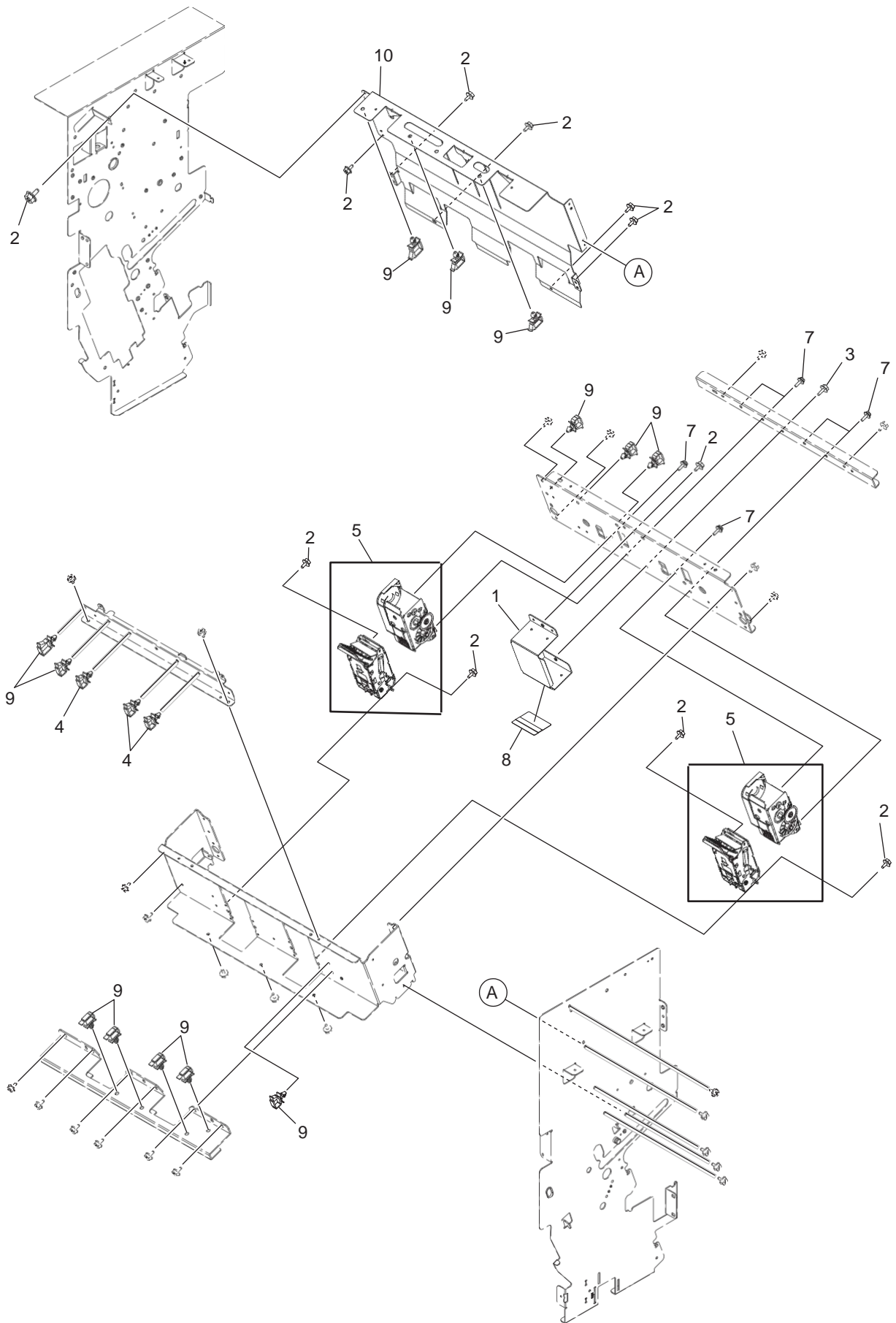
**Oki Data Technical Support at 866.654.1725**  
for specific part numbers and part ordering information



ITEM No.	PART No.	PART NAME	Q'TY / PAGE	Q'TY / PACK	REMARKS
1		ASYS-FRAME-P-PRESS-SDL	1	1/P	
2		GEAR-FEED-LOW-6	3	1/P	
3		RR/E-5-SS	10	10/P	
4		SHAFT-CAM-UPR-SDL	1	1/P	
5		S/PAN/SWWS-M3X6-NI	2	10/P	
6		ASYB-BASE-P-PRESS-SDL	1	1/P	
7		SPG-P-PRESS-UPR-SDL	1	1/P	
8		SPG-P-PRESS-LWR-SDL	1	1/P	
9		SHAFT-P-PRESS-SDL	1	1/P	
10		SHAFT-CAM-LWR-SDL2	1	1/P	
11		CAM-P-PRESS-SDL	1	1/P	
12		P/PRL/AH7-2X12-SS	1	10/P	
13		CAM METAL	2	1/P	
14		BUSH-6-POM	1	5/P	
15		SHAFT-CLUCH-SDL	1	1/P	
16		WHEEL-SNSR-P-PRESS-SDL-L	1	1/P	
18		S/TPS/FHEXM/R-3X6-ZU3	7	10/P	
19		BRKT-SNSR-P-PRESS-SDL	1	1/P	
20		LG248NL1	1	1/P	
21		UAMS-05S-2	1	5/P	
22	51403703	EL-CLUTCH-SHUT-TRAY	1	1/D	
23		RR/E-4-SS	1	10/P	
24		P/PRL/AH7-2X10-SS	3	10/P	
25		SKB-1	1	5/P	
26		BUSH-6X8X3F-POM	1	1/P	
27		CA-0124B	2	1/P	

This Illustrated Parts Manual is to be used for part identification. Part numbers for the most often used parts are listed. To obtain parts for items that do not list an associated part number contact:

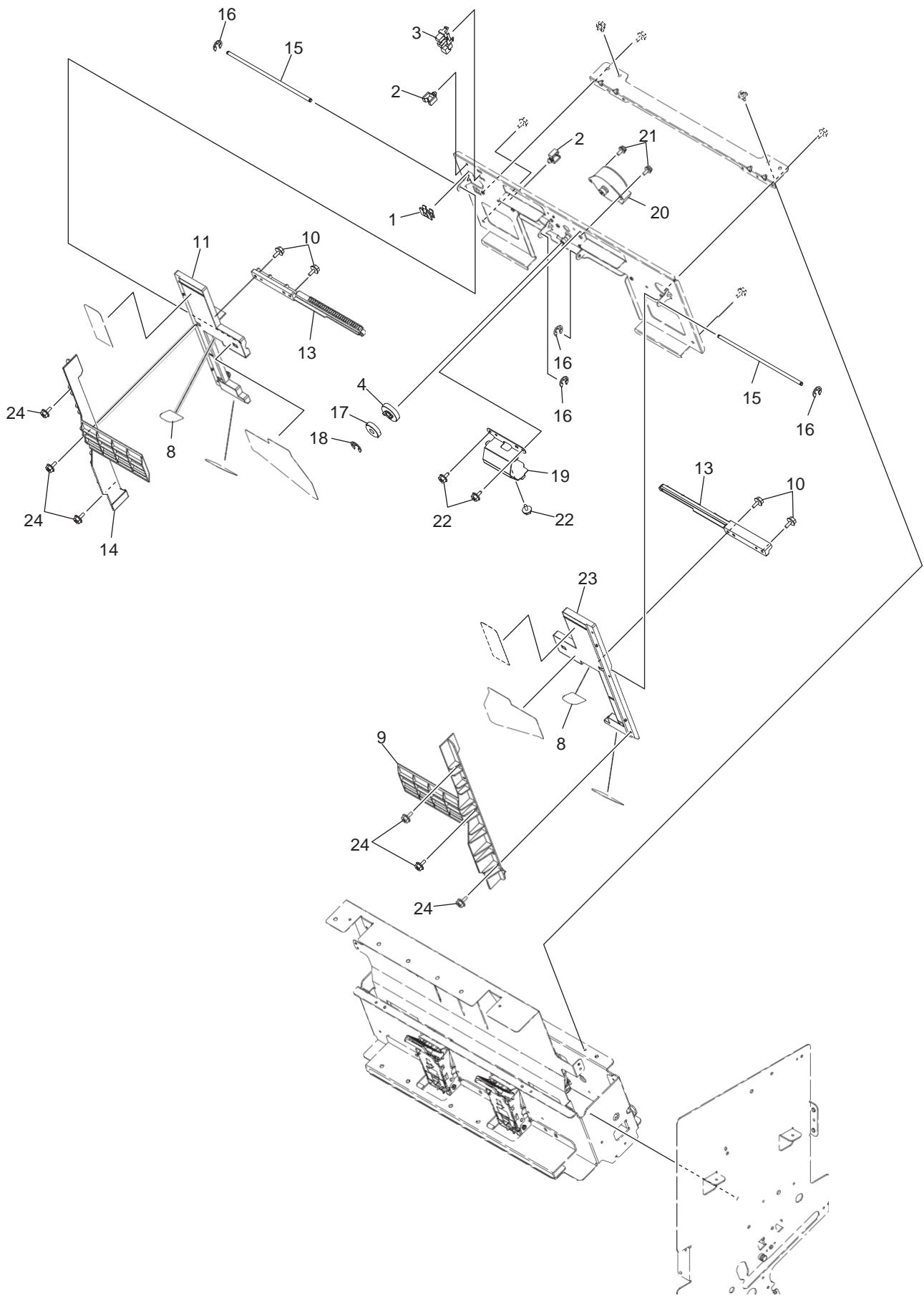
**Oki Data Technical Support at 866.654.1725**  
for specific part numbers and part ordering information



ITEM No.	PART No.	PART NAME	Q'TY / PAGE	Q'TY / PACK	REMARKS
1		PLT-GUIDE-STPLE-UP	1	1/P	
2		S/TPS/FHEXM/R-3X6-ZU3	11	10/P	
3		S/TPS/FHEXM/R-3X8-ZU3	1	10/P	
4		LWS-0711Z	3	5/P	
5		STAPLE_EH-185T-CHINA	2	1/C	
7		S/PAN/SWWP-M3X8-NI	6	10/P	
8		FILM-STAPLE-UP	1	5/P	
9		LWS-3S-V0	13	5/P	
10		PLT-GUIDE-STAPLE2-GXKS	1	1/P	

This Illustrated Parts Manual is to be used for part identification. Part numbers for the most often used parts are listed. To obtain parts for items that do not list an associated part number contact:

**Oki Data Technical Support at 866.654.1725**  
for specific part numbers and part ordering information

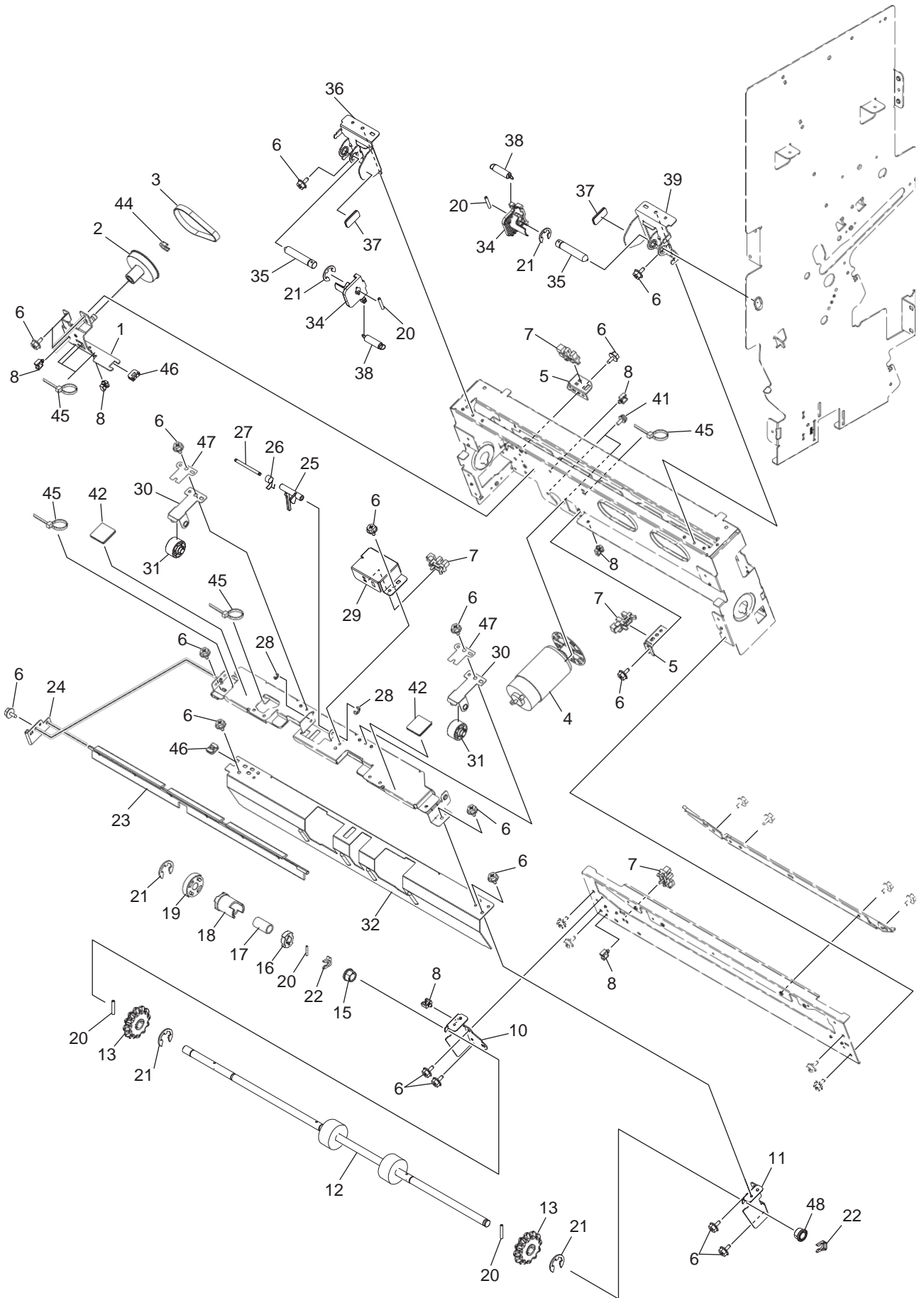


ITEM No.	PART No.	PART NAME	Q'TY / PAGE	Q'TY / PACK	REMARKS
1		DS-02S	1	5/P	
2		UAMS-05S-2	2	5/P	
3		LG248NL1	1	1/P	
4		GEAR-5S40-6-SO	1	1/P	
8		FILM-P-PRESS-UPR-SDL	2	1/P	
9		LID-GUIDE-P-SIDE-FR-SDL2	1	1/KP	
10		S/TPP/FHEXM-3X6-NI	4	10/P	
11		CARR-GUIDE-P-SIDE-RR-SDL	1	1/PP	
13		RACK-GUIDE-P-SIDE-SDL	2	1/D	
14		LID-GUIDE-P-SIDE-RR-SDL2	1	1/KP	
15		SHAFT-GUIDE-P-SIDE-SDL	2	1/P	
16		RR/E-3-SS	4	10/P	
17		GEAR-10S16-6-SO	1	1/P	
18		RR/E-5-SS	1	10/P	
19		PLATE-GUIDE-P-SIDE-SDL	1	1/P	
20	56527201	MOTR-PM42-5S16-VI	1	1/C	
21		S/PAN/SWWS-M3X6-NI	2	10/P	
22		S/TPS/FHEXM/R-3X6-ZU3	3	10/P	
23		CARR-GUIDE-P-SIDE-FR-SDL	1	1/PP	
24		S/TPP/FHEXM-3X8-NI	6	10/P	

This Illustrated Parts Manual is to be used for part identification. Part numbers for the most often used parts are listed. To obtain parts for items that do not list an associated part number contact:

**Oki Data Technical Support at 866.654.1725**  
for specific part numbers and part ordering information

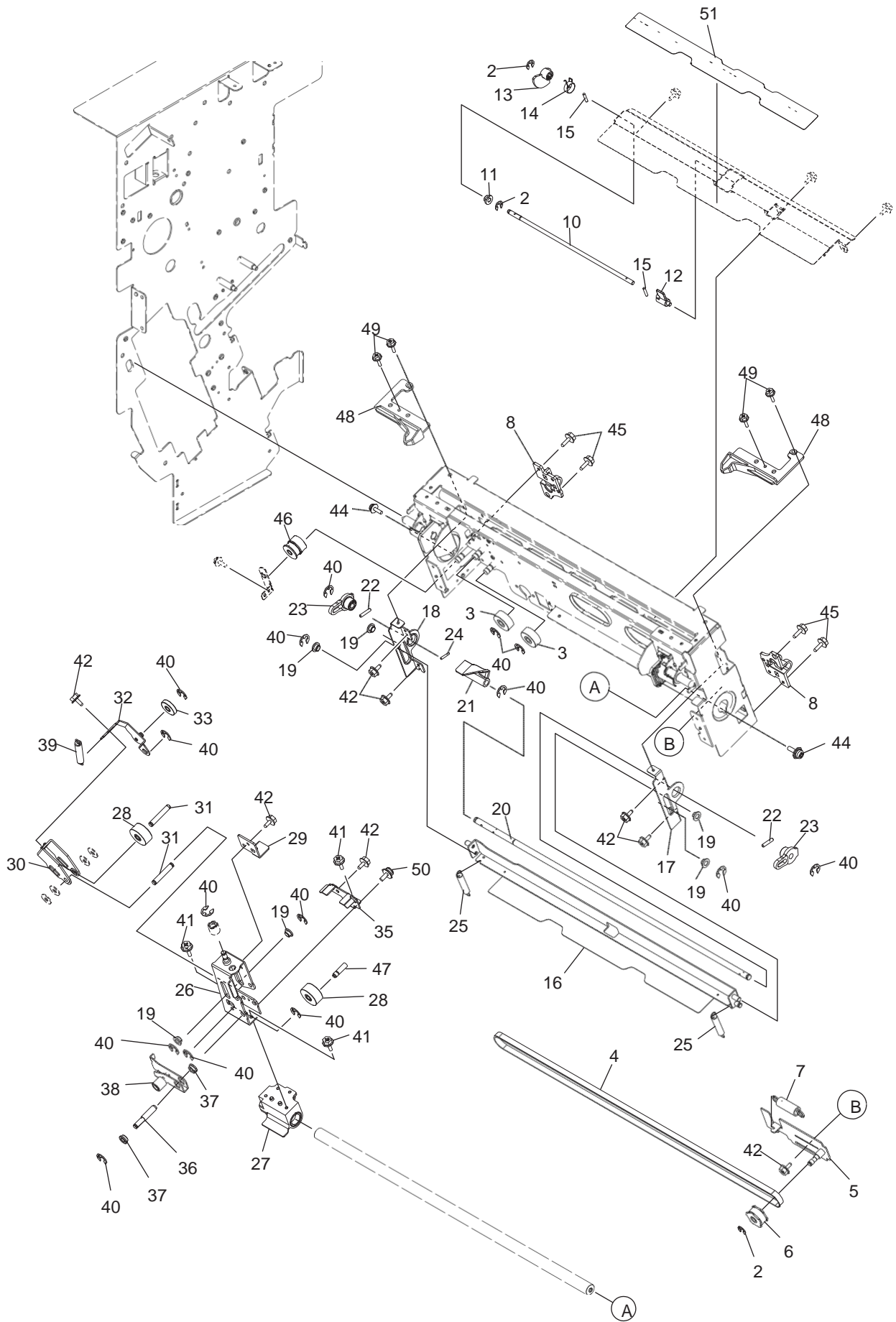




ITEM No.	PART No.	PART NAME	Q'TY / PAGE	Q'TY / PACK	REMARKS
1		ASYS-BRKT7-EFS	1	1/P	
2		GEAR-S2M60_5S24-6-EFS	1	1/P	
3		BELT-60S2M-156-EFS	1	1/P	
4		ASYS-MOTOR-EFS	1	1/C	
5		BRKT6-EFS	2	1/P	
6		S/TPS/FHEXM/R-3X6-ZU3	18	10/P	
7		LG248NL1	4	1/P	
8		UAMS-05S-2	6	5/P	
10		BRKT-EX-F-RER-SDL	1	1/P	
11		BRKT-EX-F-FRT-SDL	1	1/P	
12		RLR-EX-F-SDL	1	1/P	
13		RLR-COL-EX-F-SDL-RBT	2	1/P	
15		BUSH-8X12X8F-NU4	1	5/P	
16		RCHT-STAY-EX-F-SDL	1	1/P	
17		SPG-RCHT-EX-F-SDL	1	1/P	
18		RCHT-SLIDE-EX-F-SDL	1	1/P	
19		GEAR-RCHT-10S25-SDL	1	1/P	
20		P/PRL/AH7-2X12-SS	5	10/P	
21		RR/E-7-SS	5	10/P	
22		STOP RING	2	1/P	
23		BRIR-ROD-EX-F-SDL-F5330	1	1/KP	
24		PLT-BURR-ROD-EX-F-SDL	1	1/P	
25		ACTR-EX-F-SDL	1	1/P	
26		SPG-ACTR-EX-F-SDL	1	1/P	
27		SHAFT-ACTR-EX-F-SDL	1	1/P	
28		RR/E-2-SS	2	10/P	
29		PLT-SEN-EX-F-SDL_VE	1	1/P	
30		PLATE-RLR-SDL-035	2	1/P	
31		RLR-D20XL16-SDL	2	1/P	
32		PLT-GID-LOW-EX-F-SDL	1	1/P	
34		LEVER-PIVOT-SDL2	2	1/P	
35		PIVOT-SDL	2	1/P	
36		PLT7-ROD-RER-SDL	1	1/P	
37		LABEL-GREEN-1	2	5/P	
38		SPG-E-7R2XR6X26R4R-EFS7	2	1/P	
39		PLT7-ROD-FRT-SDL	1	1/P	
41		S/PAN/SWWP-M3X5-NI	2	10/P	
42		LABEL-GREEN-1-SDL	2	5/P	
44		STOP-RING-6-5-POM	1	5/P	
45		SKB-1	6	5/P	
46		DS-02S	2	5/P	
47		PLATE-SUPT-RLR-SDL	2	1/P	
48		BUSH-8	1	5/P	

This Illustrated Parts Manual is to be used for part identification. Part numbers for the most often used parts are listed. To obtain parts for items that do not list an associated part number contact:

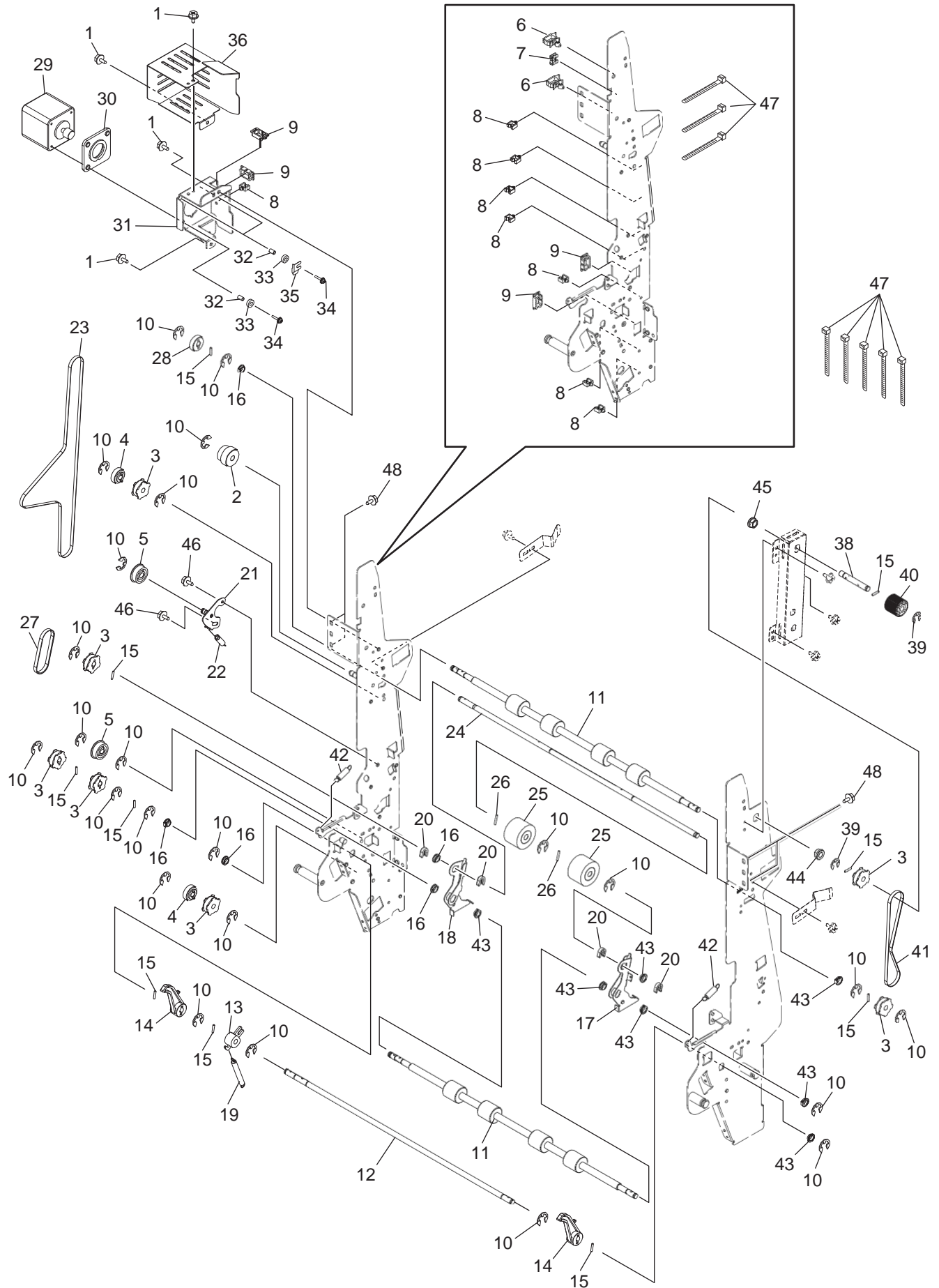
**Oki Data Technical Support at 866.654.1725**  
for specific part numbers and part ordering information



ITEM No.	PART No.	PART NAME	Q'TY / PAGE	Q'TY / PACK	REMARKS
2		RR/E-3-SS	3	10/P	
3		GEAR-5S34-6-EFS	2	1/P	
4		BELT-60S3M-852-EFS	1	1/P	
5		ASYS-PLT-PLY-EFS	1	1/P	
6		PLY-CARR-STPL	1	1/P	
7		SPG-CARR-STPL	1	1/P	
8		BRKT11-PJ-SDL	2	1/P	
10		SHAFT1-SENS-EFS	1	1/P	
11		BUSH-0410-05F-M	1	5/P	
12		ACTR1-EFS	1	1/P	
13		ACTR2-EFS	1	1/P	
14		SPG-T-11R5XR55X5R5L-SDL3	1	1/P	
15		P/PRL/AH7-1.6X8-SS	2	10/P	
16		ASYS-PLT3-FILM3-EFS	1	1/KP	
17		BRKT10-FRT-EFS	1	1/P	
18		BRKT10-RER-EFS	1	1/P	
19		BUSH-05-07-03-F	6	1/P	
20		SHAFT9-EFS	1	1/P	
21		LEVER2-EFS	1	1/P	
22		P/PRL/AH7-2X10-SS	2	10/P	
23		LEVER1-EFS	2	1/P	
24		P/PRL/AH7-2X12-SS	1	10/P	
25		SPG-E-6R6XR5X23R7-EFS4	2	1/P	
26		ASYS-FRAME3-CA-EFS	1	1/P	
27		ASYS-CARRIER-EFS	1	1/P	
28		ROLLER2-EFS	2	1/P	
29		BRACKET1-EFS-GXKS	1	1/P	
30		ARM1N-EFS	1	1/P	
31		SHAFT1-EFS	2	1/P	
32		ASYS-PLATE1-EFS	1	1/P	
33		ROLLER1-EFS	1	1/P	
35		PLATE2-EFS	1	1/P	
36		SHAFT3-EFS	1	1/P	
37		BUSH-5X8X4R2F-GCB-NU4	2	5/P	
38		ASYS-ARM2-EFS	1	1/P	
39		SPG-E-7X1X46R3R-EFS6	1	1/P	
40		RR/E-4-SS S/TPP/FHEXM-	15	10/P	
41		3X8-NI S/TPS/FHEXM/R-	3	10/P	
42		3X6-ZU3	8	10/P	
44		S/PAN/SWWP-M3X8-NI	2	10/P	
45		S/TPS/FHEXM/R-3X8-ZU3	4	10/P	
46		PLY-S3M20-GEAR-5S40-EFS	1	1/P	
47		SHAFT4-EFS	1	1/P	
48		RETAINER-EFS-SDL	2	1/P	
49		S/TPD3/FHEXM-3X10-ZU3	4	10/P	
50		S/PAN/SWWP-M3X6-ZU3	1	10/P	
51		FILM4-EFS	1	1/KP	

This Illustrated Parts Manual is to be used for part identification. Part numbers for the most often used parts are listed. To obtain parts for items that do not list an associated part number contact:

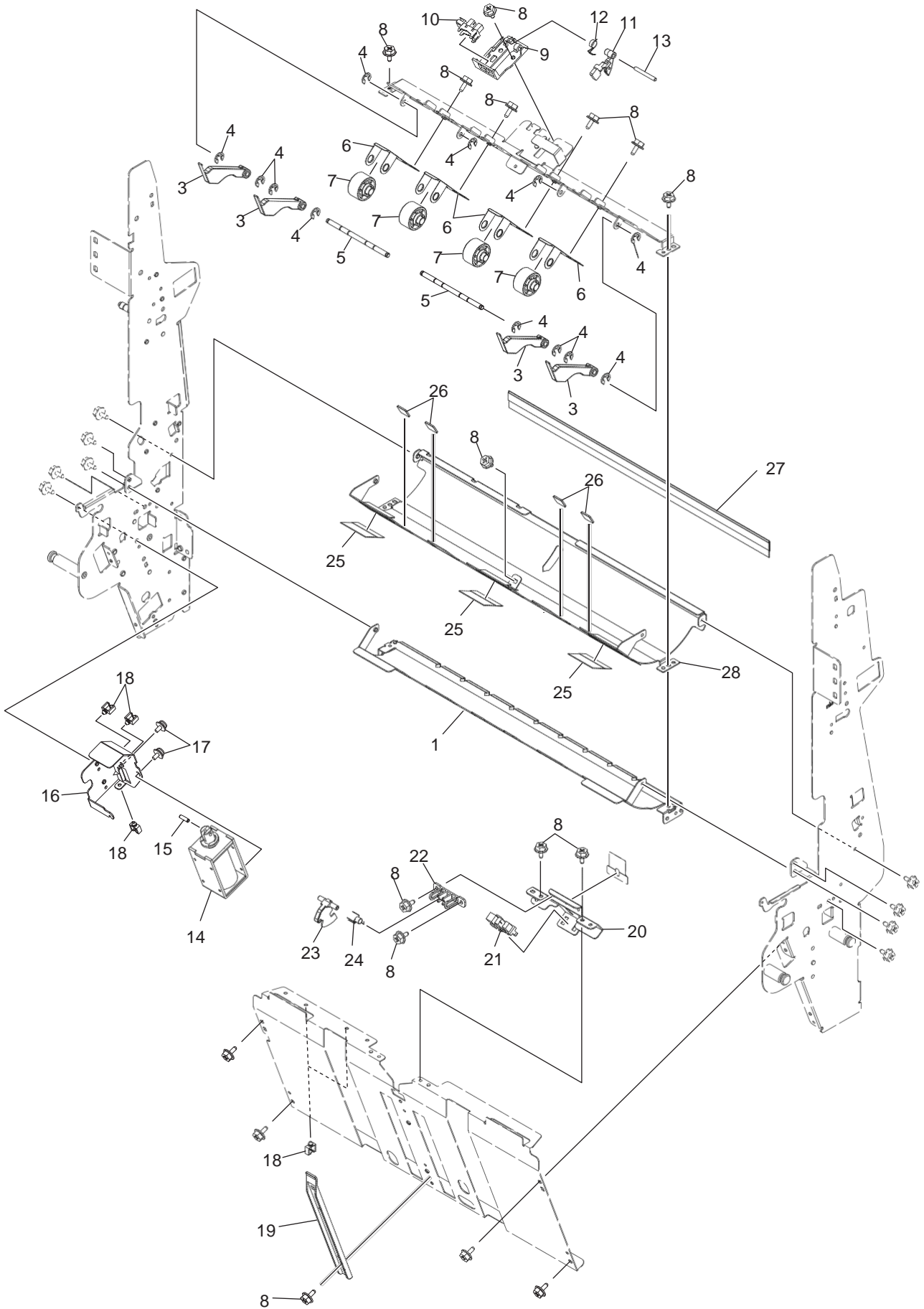
**Oki Data Technical Support at 866.654.1725**  
for specific part numbers and part ordering information



ITEM No.	PART No.	PART NAME	Q'TY / PAGE	Q'TY / PACK	REMARKS
1		S/TPS/FHEXM/R-3X6-ZU3	4	10/P	
2		GEAR-FEED-LOW-1	1	1/P	
3		PULLY-S2M30-6-5	7	1/P	
4		GEAR-FEED-SW-SDL	2	1/P	
5		PULLY-TEN-S2M30-6-5	2	1/P	
6		LWS-3S-V0	2	5/P	
7		DS-02S	1	5/P	
8		UAMS-05S-2	8	5/P	
9		ESC-0912	4	10/P	
10		RR/E-5-SS	24	10/P	
11		RLR-FEED-SWBK-SDL-1	2	1/KP	
12		SFT-ASST-RLR-MG-SDL	1	1/P	
13		PLT-AST-RLR-MG-SDL	1	1/P	
14		PLT-AST-ARM-MG-SDL	2	1/P	
15		P/PRL/AH7-2X10-SS	10	10/P	
16		CAM METAL	5	1/P	
17		ASYS-AST-ARM-FRT-SDL	1	1/P	
18		ASYS-AST-ARM-RER-SDL	1	1/P	
19		SPG-AST-RLR-MG-SDL	1	1/P	
20		STOP-RING-6-5-POM	4	5/P	
21		ASYS-TENS-JBP-PIT	1	1/P	
22		SPG-FLP-BU-C	1	1/P	
23		BLT-40-S2M-630	1	1/P	
24		SFT-AST-RLR-SWBK-SDL	1	1/P	
25		ASYS-AST-RLR-SW-DG	2	1/P	
26		P/PRL/AH7-2X12-SS	2	10/P	
27		BLT-40-S2M-130	1	1/P	
28		GEAR-FEED-LOW-6	1	1/P	
29	56527203	MOTR-S-FEED	1	1/C	
30		DUMPER_MOTOR_4212	1	1/P	
31		BRKT-FEED-MTR-SW-SDL	1	1/P	
32		3382330-30065	3	5/P	
33		DUMPER_SCREW	3	5/P	
34		S/PAN/SWWP-M3X12-NI	3	10/P	
35		PLT-EARTH-MTR	1	1/P	
36		COVER-FEED-MTR-SWBK	1	1/P	
38		SFT-KNOB-SWBK-SDL	1	1/P	
39		RR/E-4-SS	2	10/P	
40		KNOB-PIT2	1	1/P	
41		BLT-40-S2M-272	1	1/P	
42		SPG-ASST-RLR-ARM-SDL	2	1/P	
43		BUSH-6X8X3F-POM	7	1/P	
44		BUSH-6-NU4	1	1/P	
45		BUSH-6-POM	1	5/P	
46		S/PAN/SWWS-M3X6-NI	2	10/P	
47		SKB-1	8	5/P	
48		S/TPS/FHEXM/R-4X8-ZU3	4	10/P	

This Illustrated Parts Manual is to be used for part identification. Part numbers for the most often used parts are listed. To obtain parts for items that do not list an associated part number contact:

**Oki Data Technical Support at 866.654.1725**  
for specific part numbers and part ordering information

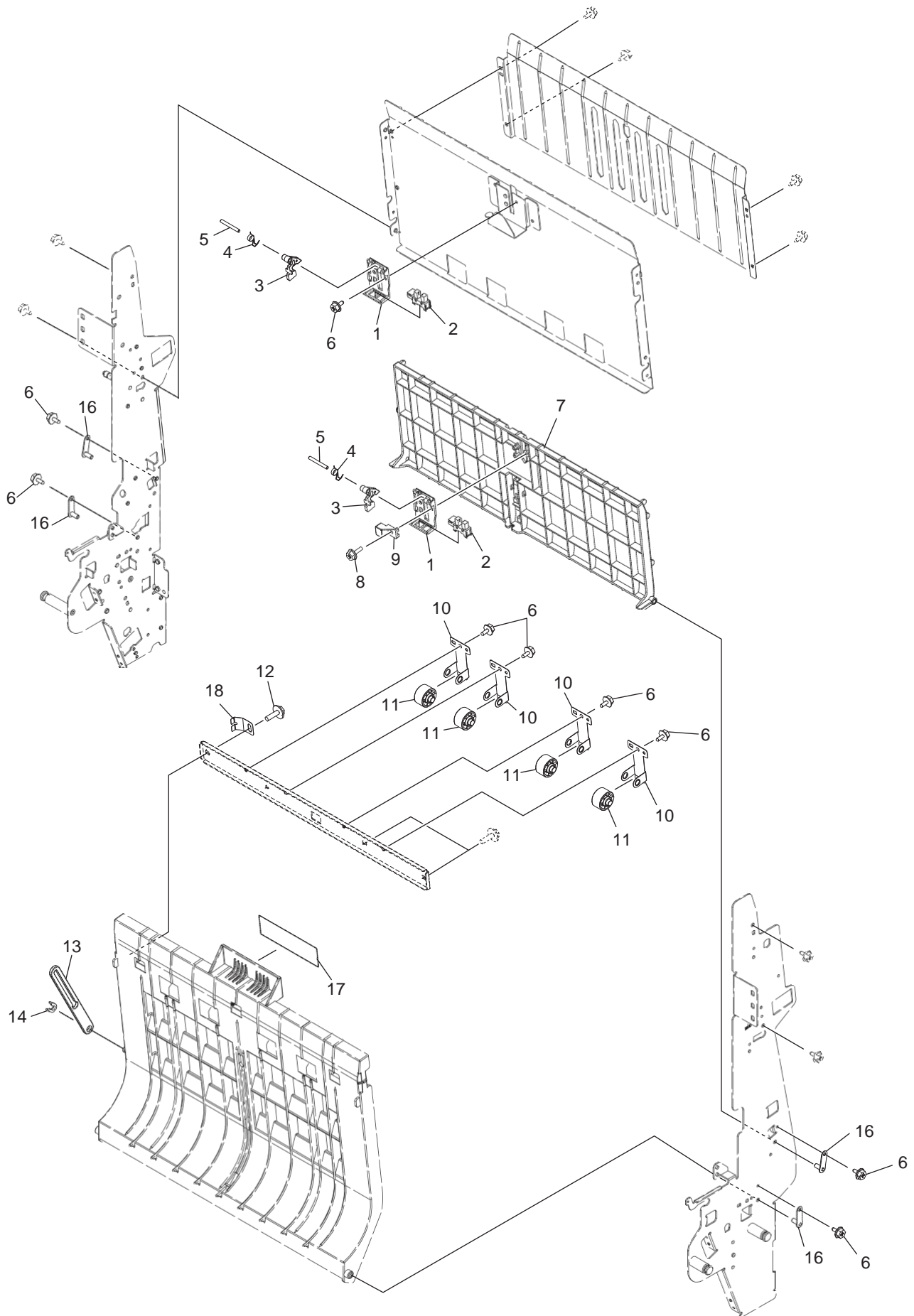


ITEM No.	PART No.	PART NAME	Q'TY / PAGE	Q'TY / PACK	REMARKS
1		GID-FEED-LOW-SWBK-GXKS	1	1/P	
3		GUIDE-FLAP-EXIT-SDL	4	1/P	
4		RR/E-3-SS	12	10/P	
5		SFT-FLAP-SWBK-SDL	2	1/P	
6		PLATE-RLR-SDL-035	4	1/P	
7		RLR-D20XL16-SDL	4	1/P	
8		S/TPS/FHEXM/R-3X6-ZU3	13	10/P	
9		PLT-SEN-A-BU-C	1	1/P	
10		GP1A73ARJ00F	1	1/P	
11		ACT-SENS-PIT	1	1/P	
12		SPG-AC-BU-C	1	1/C	
13		P/PRL/AH7-3X25-SS	1	10/P	
14		SOL-10E-SWBK-SDL	1	1/D	
15		P/SPW/AW-3X10-SS	1	10/P	
16		BRKT-AST-MG-SWBK-SDL	1	1/P	
17		S/PAN/SWWP-M3X5-NI	2	10/P	
18		UAMS-05S-2	5	5/P	
19		GID-RIB-REAR-SWBK	1	1/P	
20		BRKT-P-SNSR-SDL	1	1/P	
21		LG248NL1	1	1/P	
22		HLDR-P-SNSR-SDL	1	1/P	
23		ACTR-P-SNSR-SDL	1	1/P	
24		SPG-P-SNSR-SDL	1	1/P	
25		BRUSH-EXT-RLR-SW-SDL	3	1/KP	
26		FELT-SOL-BU-C	4	1/KP	
27		BRUSH-FEED-LOW-SWBK	1	1/KP	
28		ASYB-GID-FEED-LOW-UP-PIT	1	1/KP	

This Illustrated Parts Manual is to be used for part identification. Part numbers for the most often used parts are listed. To obtain parts for items that do not list an associated part number contact:

**Oki Data Technical Support at 866.654.1725**  
for specific part numbers and part ordering information

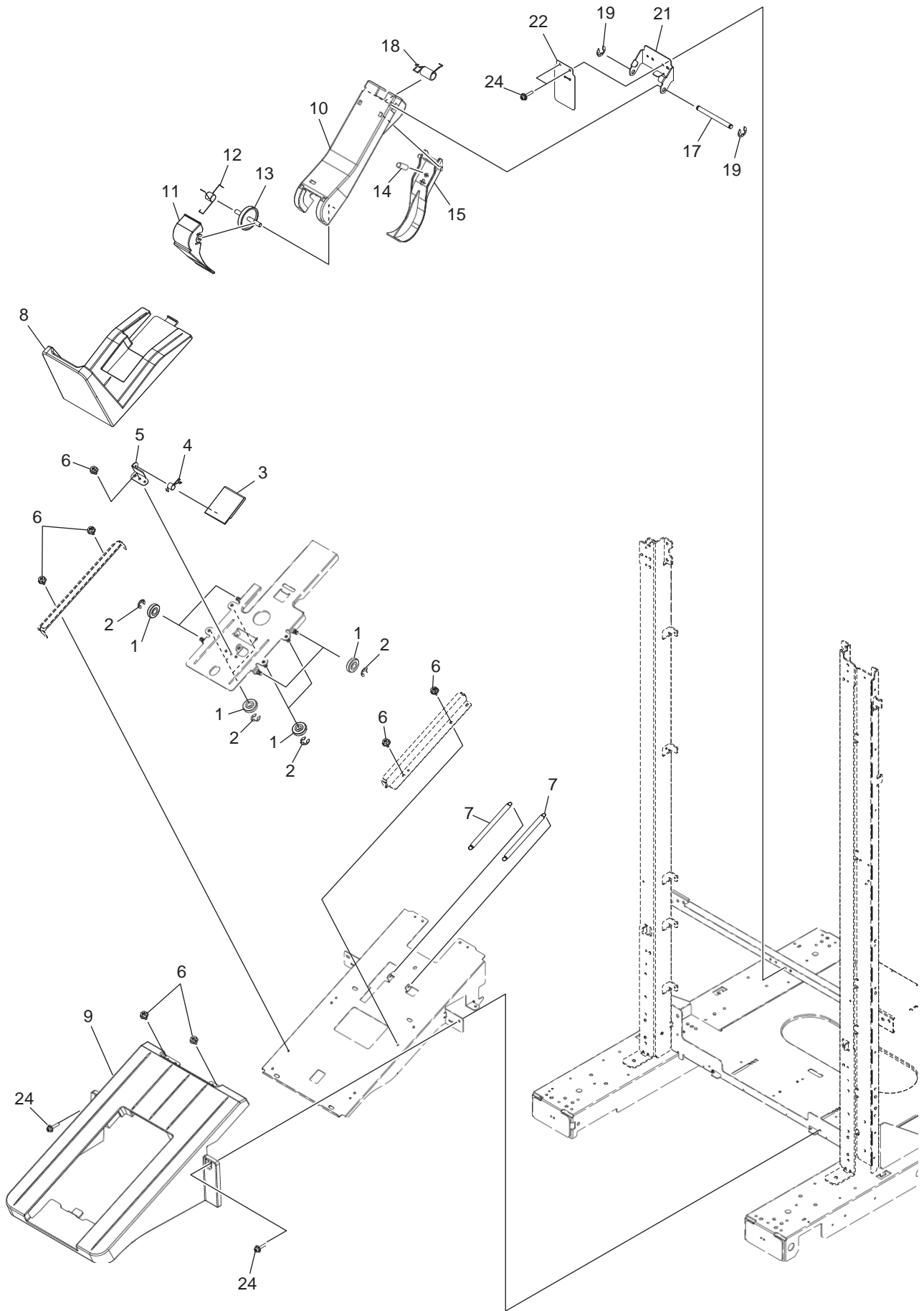




ITEM No.	PART No.	PART NAME	Q'TY / PAGE	Q'TY / PACK	REMARKS
1		PLT-SEN-A-BU-C	2	1/P	
2		GP1A73ARJ00F	2	1/P	
3		ACT-SENS-PIT	2	1/P	
4		SPG-AC-BU-C	2	1/C	
5		P/PRL/AH7-3X25-SS	2	10/P	
6		S/TPS/FHEXM/R-3X6-ZU3	9	10/P	
7		GID-FEED-OPN-SWB-LFT-L	1	1/PP	
8		S/TPP/FHEXM-3X8-NI	1	10/P	
9		PLT-STOP-ACT-SNS-SW	1	1/P	
10		PLATE-RLR-SDL-035	4	1/P	
11		RLR-D20XL16-SDL	4	1/P	
12		S/TPP/FHEXM-4X10-NI	1	10/P	
13		LINK-GID-FEED-OPN-SW	1	1/P	
14		STOP-RING-6-5-POM	1	5/P	
16		ASYS-SOL-LINK-BU-C	4	1/P	
17		LABEL-GREEN-RBT	1	1/P	
18		SPG-EARTH-SWBK	1	1/P	

This Illustrated Parts Manual is to be used for part identification. Part numbers for the most often used parts are listed. To obtain parts for items that do not list an associated part number contact:

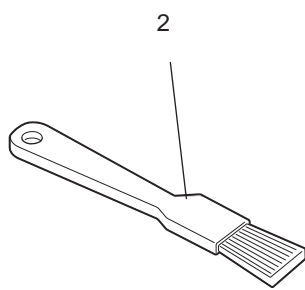
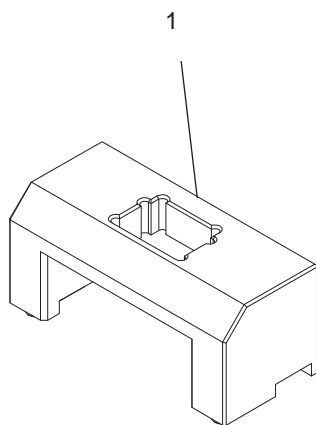
**Oki Data Technical Support at 866.654.1725**  
for specific part numbers and part ordering information



ITEM No.	PART No.	PART NAME	Q'TY / PAGE	Q'TY / PACK	REMARKS
1		RLR-STPR-TRAY-Y01-SDL	8	1/P	
2		RR/E-4-SS	8	10/P	
3		CATCHER-ARM-SDL	1	1/P	
4		SPG-3-CAT-ARM-SDL	1	1/P	
5		BRKT-CATCHER-ARM-SDL	1	1/P	
6		S/TPS/FHEXMR-3X6-ZU3	7	10/P	
7		SPG-STPR-TRAY1-Y01-SDL	2	1/P	
8		TRAY-SLIDE-WLS-SDL	1	1/PP	
9		TRAY-SDL	1	1/PP	
10		ARM-1-LV-A	1	1/P	
11		ARM-2-LV-A	1	1/P	
12		SPG-ARM-2-LV-A	1	1/P	
13		RLR-LV-A-SDL	1	1/P	
15		BARB-LV-A-SDL-RBT	1	1/P	
17		SHAFT-EXT-TRAY	1	1/P	
19		RR/E-5-SS	2	10/P	
21		HLDR-ARM-2-SDL MYLAR-	1	1/P	
22		LV-A-SDL-RBT SPG-BARB-	1	1/KP	
23		LV-A-SDL-RBT	1	1/P	
24		S/PAN/SWWP-M3X8-NI	4	10/P	

This Illustrated Parts Manual is to be used for part identification. Part numbers for the most often used parts are listed. To obtain parts for items that do not list an associated part number contact:

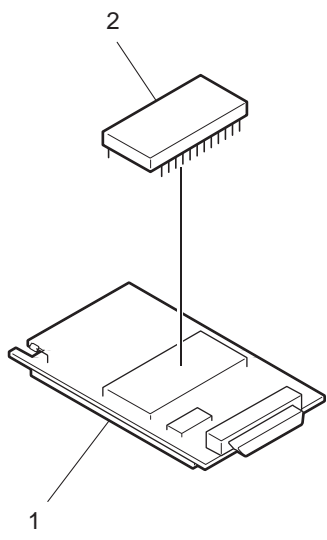
**Oki Data Technical Support at 866.654.1725**  
for specific part numbers and part ordering information



ITEM No.	PART No.	PART NAME	Q'TY / PAGE	Q'TY / PACK	REMARKS
1		JIG-STAPLE-2-SDL	1	1/P	
2		BRUSH-33	1	1/P	
11		SANKOL-CFD-409M-90G	1	1/D	

This Illustrated Parts Manual is to be used for part identification. Part numbers for the most often used parts are listed. To obtain parts for items that do not list an associated part number contact:

**Oki Data Technical Support at 866.654.1725**  
for specific part numbers and part ordering information



ITEM No.	PART No.	PART NAME	Q'TY / PAGE	Q'TY / PACK	REMARKS
1		K-PWA-DLM-320	1	1/C	

This Illustrated Parts Manual is to be used for part identification. Part numbers for the most often used parts are listed. To obtain parts for items that do not list an associated part number contact:

**Oki Data Technical Support at 866.654.1725**  
for specific part numbers and part ordering information