

CX3535 / CX4545 MFP

MJ-1101 Finisher

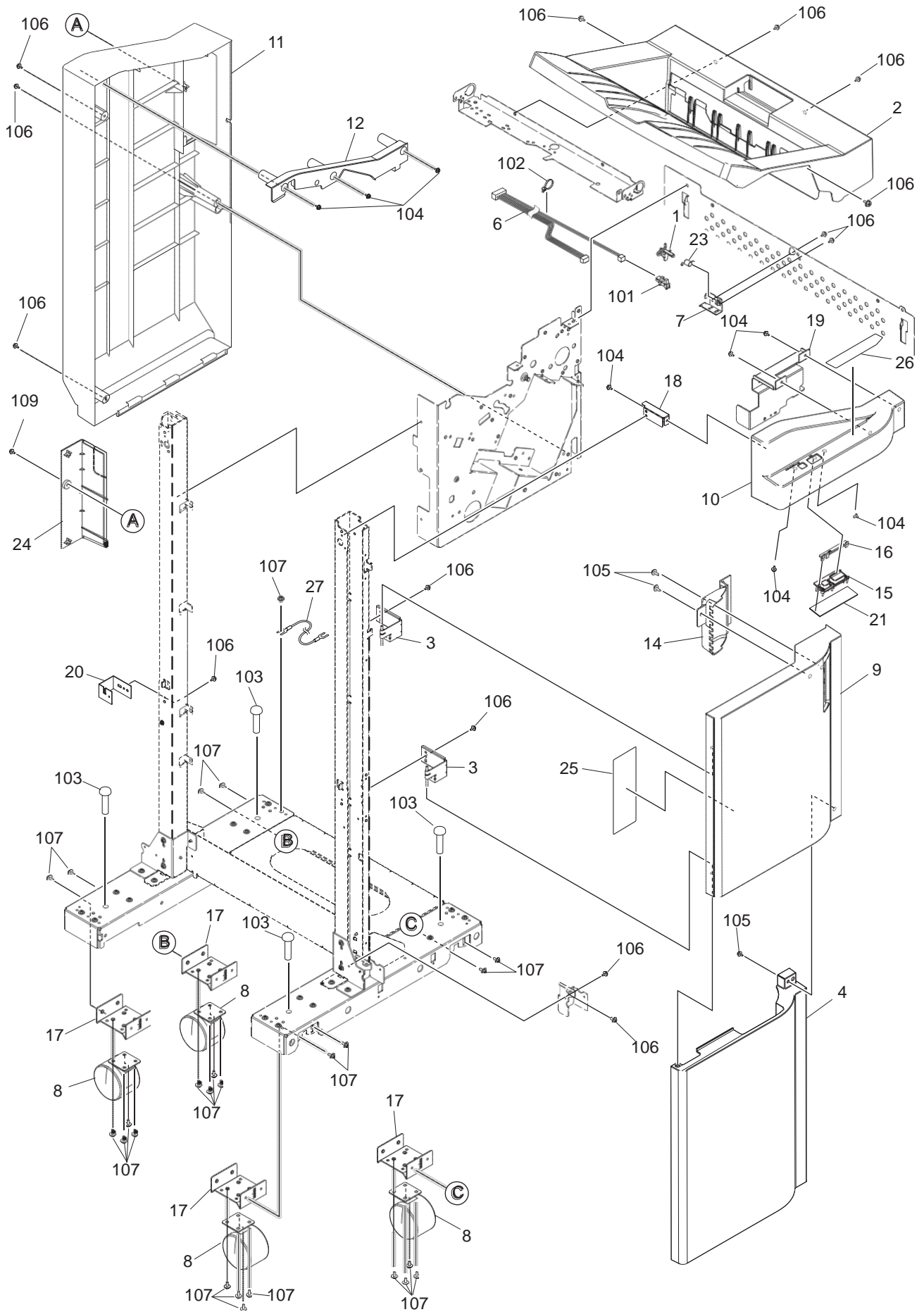
Illustrated Parts Manual

This Illustrated Parts Manual is to be used for part identification. Part numbers for the most often used parts are listed. To obtain parts for items that do not list an associated part number contact:

Oki Data Technical Support at 866.654.1725
for specific part numbers and part ordering information

CONTENTS

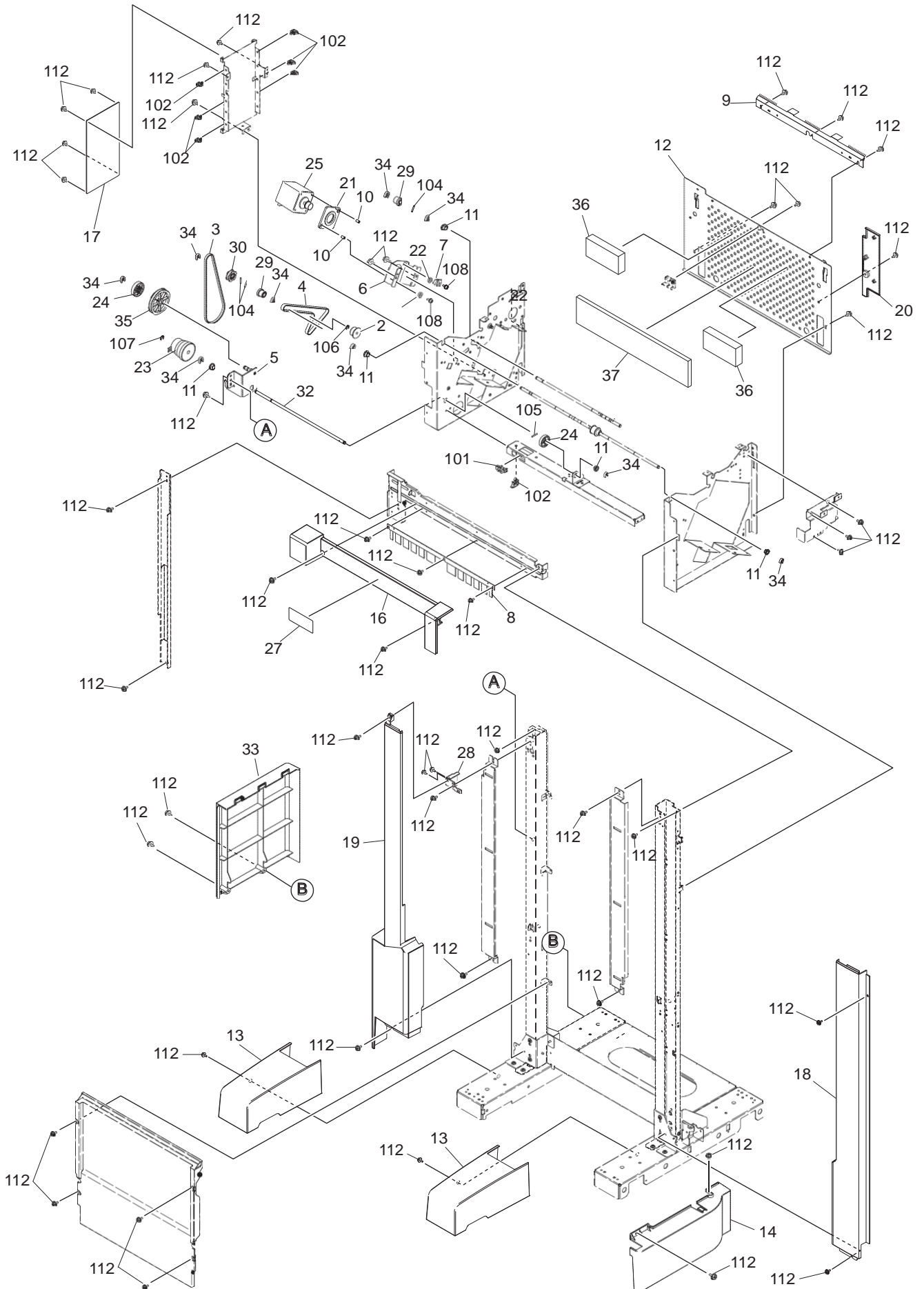
BASE-FRAME-ASYB	1
GUIDE-P-SIDE-ASYB	2
FRAME-BASE-TRAY	3
FRAME-ALGIN-ASYB-1	4
FRAME-ALGIN-ASYB-2	5
STAPLE-ASYB	6
SORT-ASYB	7
BUFFER-1-ASYB	8
BUFFER-2-ASYB	9
BUFFER-3-ASYB	10
SORT-TRAY-ASYB	11
ACCESSORIES	12
JIG	20



ITEM No.	PART No.	PART NAME	Q'TY / PAGE	Q'TY / PACK	REMARKS
1		ACTR-SNSR-RLR-1	1	1/C	
2		ASYB-TRAY-DBL-BU-C-DVG	1	1/PP	
3		ASYS-BRKT-DOOR-HNG	2	1/P	
4		ASYS-COV-DOOR-BTM	1	1/PP	
6		HRNS-INLET	1	1/P	
7		BRKT-SNSR-RLR-1	1	1/P	
8		CASTER-LZ-60P	4	1/D	
9		COVER-DOOR-TOP	1	1/PP	
10		COVER-FRONT-TOP	1	1/PP	
11		COVER-REAR	1	1/PP	
12		COVER-REAR-FRONT	1	1/PP	
14		HNDL-DOOR	1	1/P	
15		KEY-TOP-STPL	1	1/C	
16		LED-TOP	1	1/D	
17		PLT-CASTER-FOOT	4	1/P	
18		PLT-SPCR-FRONT-L	1	1/P	
19		PLT-SPCR-FRONT-R	1	1/P	
20		PLT-SPCR-REAR-L-B	1	1/P	
21		PWA-CPL-101	1	1/C	
23		SPG-FEED-SNSR-1	1	1/P	
24		COVER-OPTION	1	1/P	
25		LABEL-STPL-MJ1101	1	1/KP	
26		LBL-MNL-STPL-MJ-1101	1	1/KP	
27		HRNS-EMI-BROAD	1	1/P	
101		GP1A73ARJ00F	1	1/P	
102		T18R	1	5/P	
103		S/PAN-M10X40-NI	4	10/P	
104		S/TPP/FHEXM-3X6-NI	8	10/P	
105		S/TPP/FHEXM-4X10-NI	3	10/P	
106		S/TPS/FHEXM/R-3X6-ZU3	14	10/P	
107		S/TPS/FHEXM/R-4X8-ZU3	24	10/P	
109		S/TPP/FHEXM-3X8-NI	1	10/P	

This Illustrated Parts Manual is to be used for part identification. Part numbers for the most often used parts are listed. To obtain parts for items that do not list an associated part number contact:

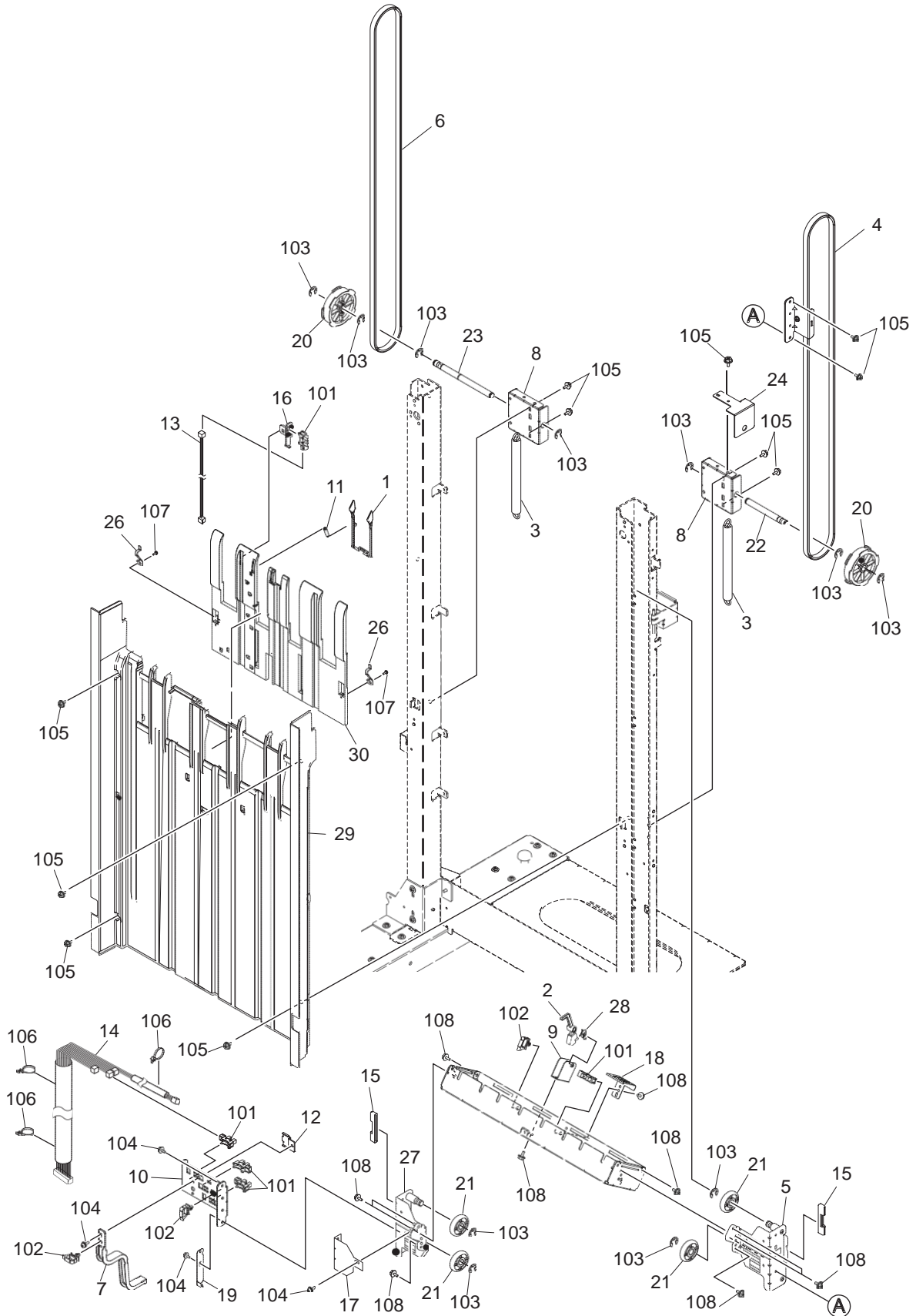
Oki Data Technical Support at 866.654.1725
for specific part numbers and part ordering information



ITEM No.	PART No.	PART NAME	Q'TY / PAGE	Q'TY / PACK	REMARKS
2		BELT TENSION ROLLER	1	1/P	
3		BELT-SHUT-S3M-TRAY	1	1/P	
4		BLT-60S2M-340-SF	1	1/P	
5		ASYS-BRKT-EL-CLUTCH-TRAY	1	1/P	
6		BRKT-MOTR-VI	1	1/P	
7		PLT-EARTH-MTR	1	1/P	
8		BRUSH-EXIT-BU-C	1	1/KP	
9		ASYS-MYLAR-FEED-IN-PIT	1	1/KP	
10		3382330-30065	2	5/P	
11		BUSH-6-GCB	5	5/P	
12		ASYS-COVER-FEED-LOW-IN	1	1/P	
13		COVER-FOOT	2	1/PP	
14		COVER-FOOT-FRONT	1	1/PP	
16		COVER-LEFT-TOP	1	1/PP	
17		ASY-FIN-101	1	1/SB	
18		COVER-RAIL-FRONT	1	1/PP	
19		COVER-RAIL-REAR	1	1/PP	
20		COVER-RIGHT	1	1/P	
21		DUMPER_MOTOR_4210	1	1/P	
22		DUMPER_SCREW	2	5/P	
23		EL-CLUTCH-SHUT-TRAY	1	1/D	
24		GEAR-10S25-6-TRAY	2	1/P	
25		MOTR-HB42K1-S2M20-VI	1	1/C	
27		LBL-CAUTION-MJ-1101	1	1/KP	
28		PLT-SPCR-REAR-L-T	1	1/P	
29		PULLY-S2M18-6-SF	2	1/P	
30		PULLY-S3M20-6-TRAY	1	1/P	
32		SHAFT-DRV-SHUT-TRAY	1	1/P	
33		COVER-REAR-BTM	1	1/PP	
34		STOP-RING-6-5	8	5/P	
35		PULLY-S3M50-6-TRAY	1	1/P	
36		ABSORBER-CVR-FEED-LOW-1	2	1/P	
37		ABSORBER-CVR-FEED-LOW-2	1	1/KP	
101		GP1A73ARJ00F	1	1/P	
102		LWS-0711Z	7	5/P	
104		P/PRL/AH7-2X12-SS	3	10/P	
105		P/PRL/AH7-2X16-SS	1	10/P	
106		RR/E-3-SS	1	10/P	
107		RR/E-4-SS	1	10/P	
108		S/PAN/SWWP-M3X12-NI	2	10/P	
112		S/TPS/FHEXM/R-3X6-ZU3	47	10/P	
113		NS-80	1	1/P	

This Illustrated Parts Manual is to be used for part identification. Part numbers for the most often used parts are listed. To obtain parts for items that do not list an associated part number contact:

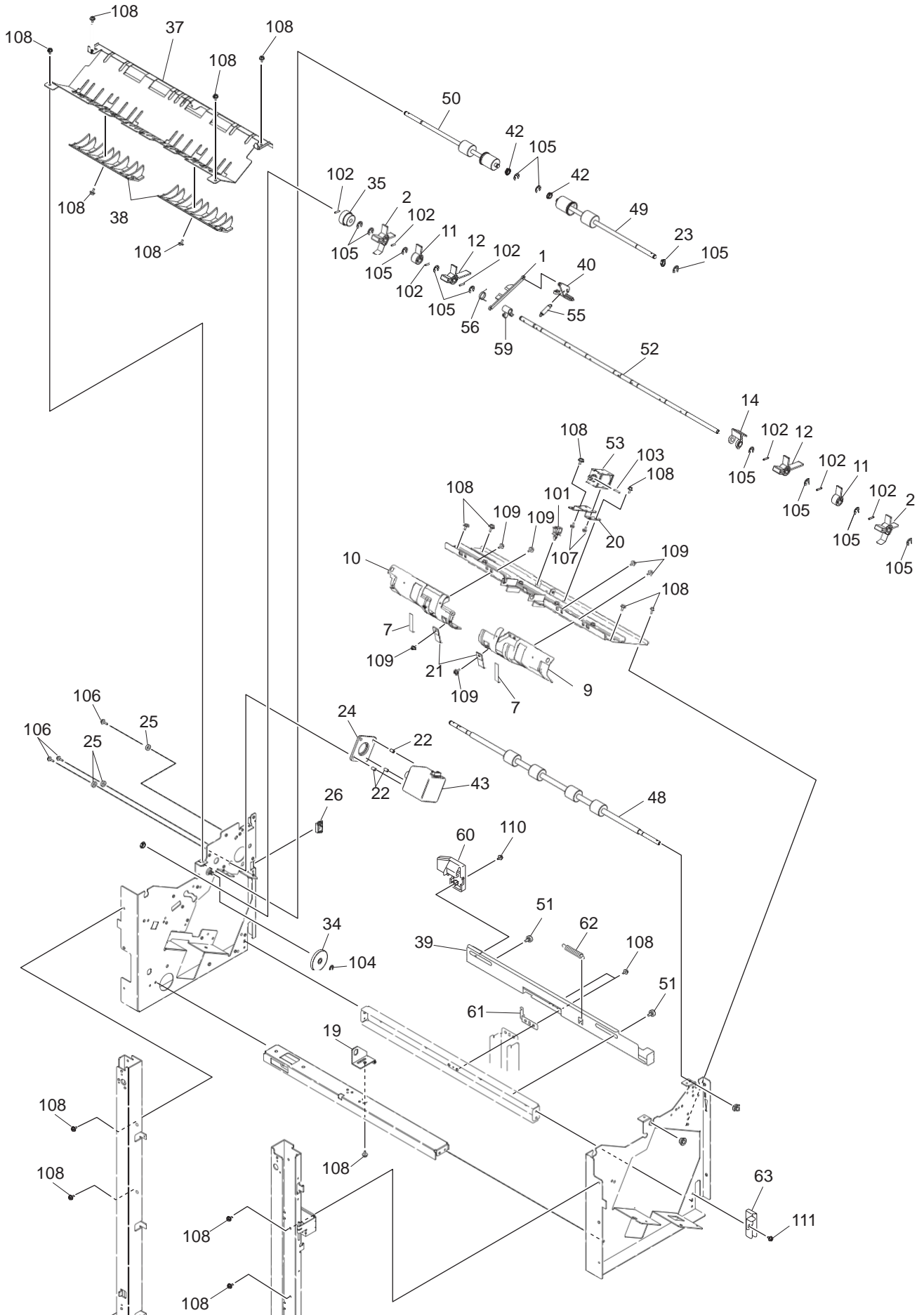
Oki Data Technical Support at 866.654.1725
for specific part numbers and part ordering information



ITEM No.	PART No.	PART NAME	Q'TY / PAGE	Q'TY / PACK	REMARKS
1		ACTR-01-SNSR-VER01-TRAY	1	1/D	
2		ACTR-02-SNSR-TRAY	1	1/P	
3		SPG-TENSION-PULLY-TRAY	2	1/P	
4		ASYB-CLUMP-BELT-B-TRAY	1	1/P	
5		ASYS-RAIL-BRKT-F-TRAY	1	1/P	
6		BLT-50S5M-1195-TRAY	1	1/P	
7		BRKT-HRNS-TRAY	1	1/P	
8		BRKT-LOW-PULLY-TRAY	2	1/P	
9		BRKT-SNSR-02-TRAY	1	1/P	
10		CLUMP-BELT-A-TRAY	1	1/P	
11		SPG-ACTR-01-TRAY	1	1/P	
12		CLUMP-BELT-C-TRAY	1	1/P	
13		HRNS-RLY3-A	1	1/P	
14		HRNS-SFTTRY-PTJ	1	1/P	
15		GUARD-CAP-SLIDERAIL-TRAY	2	1/P	
16		HOLDER-SNSR-01-TRAY	1	1/P	
17		MYLAR-TRAY	1	1/C	
18		PLATE-EARTH-1	1	1/C	
19		PLATE-EARTH-2	1	1/P	
20		PULLY-S5M32-8-TRAY	2	1/P	
21		ROLLER-GUIDE-TRAY	4	1/P	
22		SFT-TRAY-PULLY-LOW-F	1	1/P	
23		SFT-TRAY-PULLY-LOW-R	1	1/P	
24		BRKT-COVER-PULLY-TRAY	1	1/P	
25		SCR-M3X6BISR-NI	1	10/P	
26		SPG-PLT-SHUT	2	1/P	
27		ASYS-RAIL-BRKT-R-TRAY	1	1/P	
28		SPG-ACTR-02-TRAY	1	1/P	
29		ENCL-L-TRAY	1	1/PP	
30		SHUTTER-VER01-TRAY	1	1/PP	
101		GP1A73ARJ00F	5	1/P	
102		LWS-1S RR/E-7-SS	1	5/P	
103		S/PAN/SWWP-M3X8-NI	11	10/P	
104		S/TPS/FHEXM/R-3X6-ZU3	3	10/P	
105			10	10/P	
106		T18R	3	5/P	
107		S/TPP/PAN-3X6-NI	2	10/P	
108		S/TPS/FHEXM/R-3X8-ZU3	10	10/P	

This Illustrated Parts Manual is to be used for part identification. Part numbers for the most often used parts are listed. To obtain parts for items that do not list an associated part number contact:

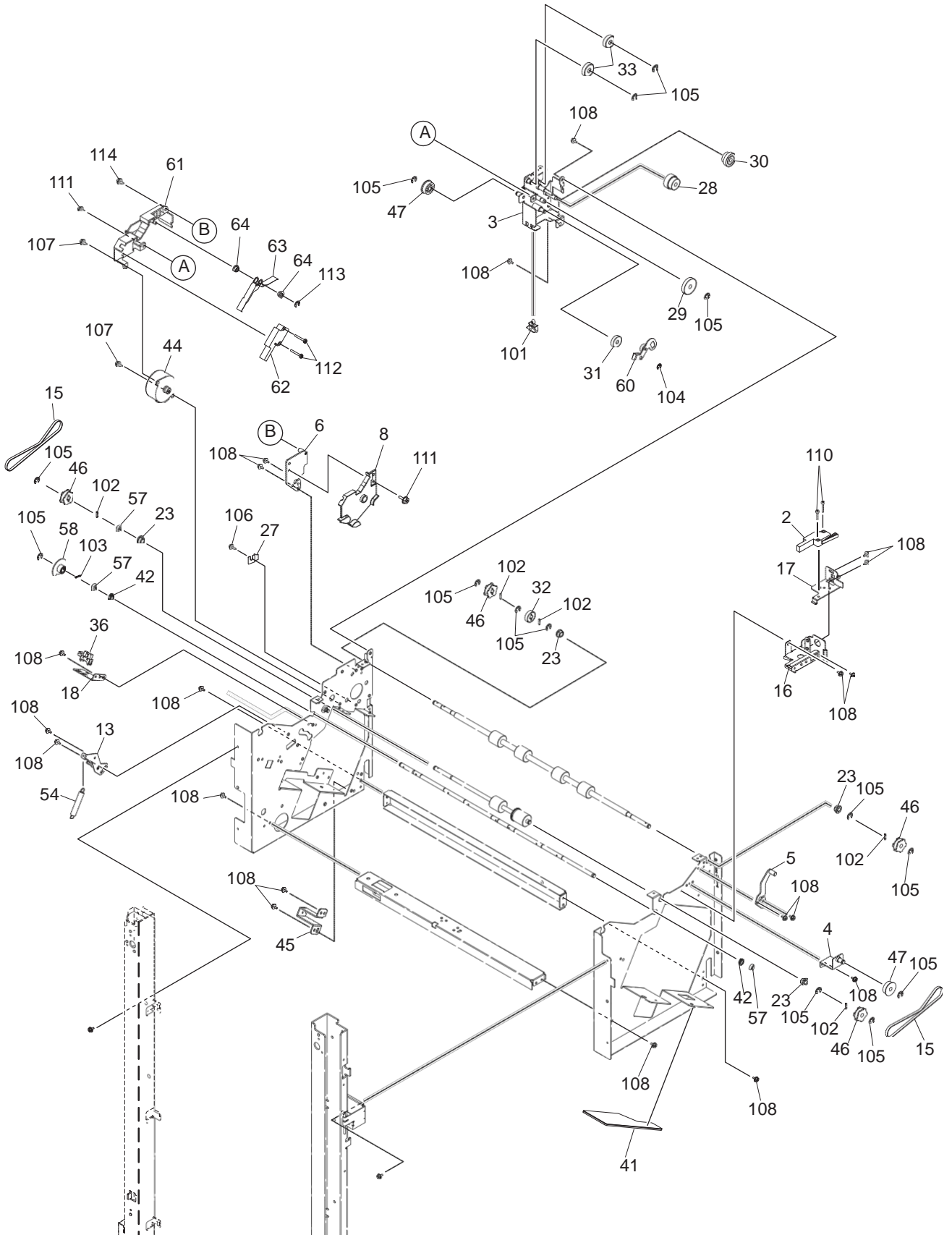
Oki Data Technical Support at 866.654.1725
for specific part numbers and part ordering information



ITEM No.	PART No.	PART NAME	Q'TY / PAGE	Q'TY / PACK	REMARKS
1		ARM-SOL-ALIGN	1	1/P	
2		ASYS-PDL-DRP-OUT-72	2	1/C	
7		MYLAR-GID-PDL-2	2	1/P	
9		ASYS-GID-PDL-FRT	1	1/PP	
10		ASYS-GID-PDL-RER	1	1/PP	
11		ASYS-PDL-DRP-SID-VI	2	1/P	
12		ASYS-PDL-DRP-VI ASYS-	2	1/P	
14		ZIPPER-ALIGN-A BRKT-	1	1/P	
19		SHAFT-SHUT-TRAY BRKT-	1	1/P	
20		SOL-BASE	1	1/P	
21		BRUSH-GID-PDL	2	1/KP	
22		3382330-30065	3	5/P	
23		BUSH-6-GCB	1	5/P	
24		DUMPER_MOTOR_4212	1	1/P	
25		DUMPER_SCREW	3	5/P	
26		ESC-0912	1	10/P	
34		GEAR-IDLER-PDL-A	1	1/P	
35		GEAR-PDL-VI	1	1/P	
37		GUIDE-FEED-LOW	1	1/PP	
38		GUIDE-FEED-LOW-RIB	2	1/D	
39		STAY-LOCK-2	1	1/P	
40		LEVER-SOL-ALIGN	1	1/P	
42		CAM METAL	2	1/P	
43		MOTR-S-FEED	1	1/C	
48		RLR-FEED-1	1	1/KP	
49		RLR-FEED-2	1	1/KP	
50		RLR-FEED-2-R	1	1/KP	
51		SCREW-LEVER-M3_6	2	1/P	
52		SHAFT-PDL-VI	1	1/P	
53		SOL-08BM-51-VI	1	1/D	
55		SPG-SOL-ALIGN	1	1/P	
56		SPG-ZIPPER-ALIGN	1	1/P	
59		ZIPPER-ALIGN-B	1	1/P	
60		SLOPE-LOCK2	1	1/P	
61		BRKT-HOOK-LOCK2	1	1/P	
62		SPG-LOCK2	1	1/P	
63		LVR-LOCK2	1	1/P	
101		LWS-0711Z	1	5/P	
102		P/PRL/AH7-2X10-SS	7	10/P	
103		P/SPW/AW-2X10-SS	1	10/P	
104		RR/E-4-SS	1	10/P	
105		RR/E-5-SS	12	10/P	
106		S/PAN/SWWP-M3X12-NI	3	10/P	
107		S/PAN/SWWP-M3X5-NI	2	10/P	
108		S/TPS/FHEXM/R-3X6-ZU3	17	10/P	
109		S/PAN/SWWP-M3X6-ZU3	6	10/P	
110		S/TPP/FHEXM-3X8-NI	1	10/P	
111		S/PAN/SWWP-M3X8-NI	1	10/P	

This Illustrated Parts Manual is to be used for part identification. Part numbers for the most often used parts are listed. To obtain parts for items that do not list an associated part number contact:

Oki Data Technical Support at 866.654.1725
for specific part numbers and part ordering information



ITEM No.	PART No.	PART NAME	Q'TY / PAGE	Q'TY / PACK	REMARKS
2		AM51632C731N	1	1/D	
3		ASYS-BRKT-FEED-GEAR	1	1/P	
4		ASYS-BRKT-TEN-RLR-F	1	1/P	
5		ASYS-BRKT-TRY-F-BU-C	1	1/P	
6		ASYS-BRKT-UPPER-TRAY-SW	1	1/P	
8		CVR-UPPER-TRAY-SW	1	1/PP	
13		ASYS-PLATE-PLY-IDL-SF	1	1/P	
15		BLT-40-S2M-272	2	1/P	
16		BRKT-DOOR-SNSR	1	1/P	
17		PLT-TURN-SNSR	1	1/P	
18		BRKT-PDL-SNSR	1	1/P	
23		BUSH-6-GCB	4	5/P	
27		PLT-EARTH-MTR	1	1/P	
28		GEAR-FEED-LOW-1	1	1/P	
29		GEAR-FEED-LOW-2	1	1/P	
30		GEAR-FEED-LOW-3	1	1/P	
31		GEAR-FEED-LOW-5	1	1/P	
32		GEAR-FEED-LOW-6	1	1/P	
33		GEAR-FEED-LOW-8	2	1/P	
36		GP1A73ARJ00F	1	1/P	
41		SHEET-FRM-FRT-ALIGN	1	1/KP	
42		CAM METAL	2	1/P	
44		MOTR-S-PDL-ALIGN	1	1/C	
45		PLT-SPCR-REAR-R-B	1	1/P	
46		PULLY-S2M30-6-5	4	1/P	
47		PULLY-TEN-S2M30-6-5	2	1/P	
54		SPG-BLT-TENS-SF	1	1/P	
57		STOP-RING-6-5	3	5/P	
58		WHEEL-SNSR-PDL-VI	1	1/P	
60		ASYS-GEAR-FEED-1	1	1/P	
61		ASYS-HLDR-UPPER-TRAY-SW	1	1/P	
62		HRNS-CVRSW	1	1/P	
63		PLATE-UPPER-TRAY-SW	1	1/P	
64		BUSH-0410-05F-M	2	5/P	
101		LWS-0711Z	1	5/P	
102		P/PRL/AH7-2X10-SS	5	10/P	
103		P/SPW/AW-2X10-SS	1	10/P	
104		RR/E-4-SS	1	10/P	
105		RR/E-5-SS	14	10/P	
107		S/PAN/SWWP-M3X8-NI	2	10/P	
108		S/TPS/FHEXM/R-3X6-ZU3	21	10/P	
110		S/TPS/PAN-3X16-ZU3	2	10/P	
111		S/TPS/FHEXM/R-3X8-ZU3	2	10/P	
112		S/TPP/PAN-3X16-NI	2	10/P	
113		RR/E-3-SS	1	10/P	
114		S/PAN/SWWP-M3X8-NI	1	10/P	

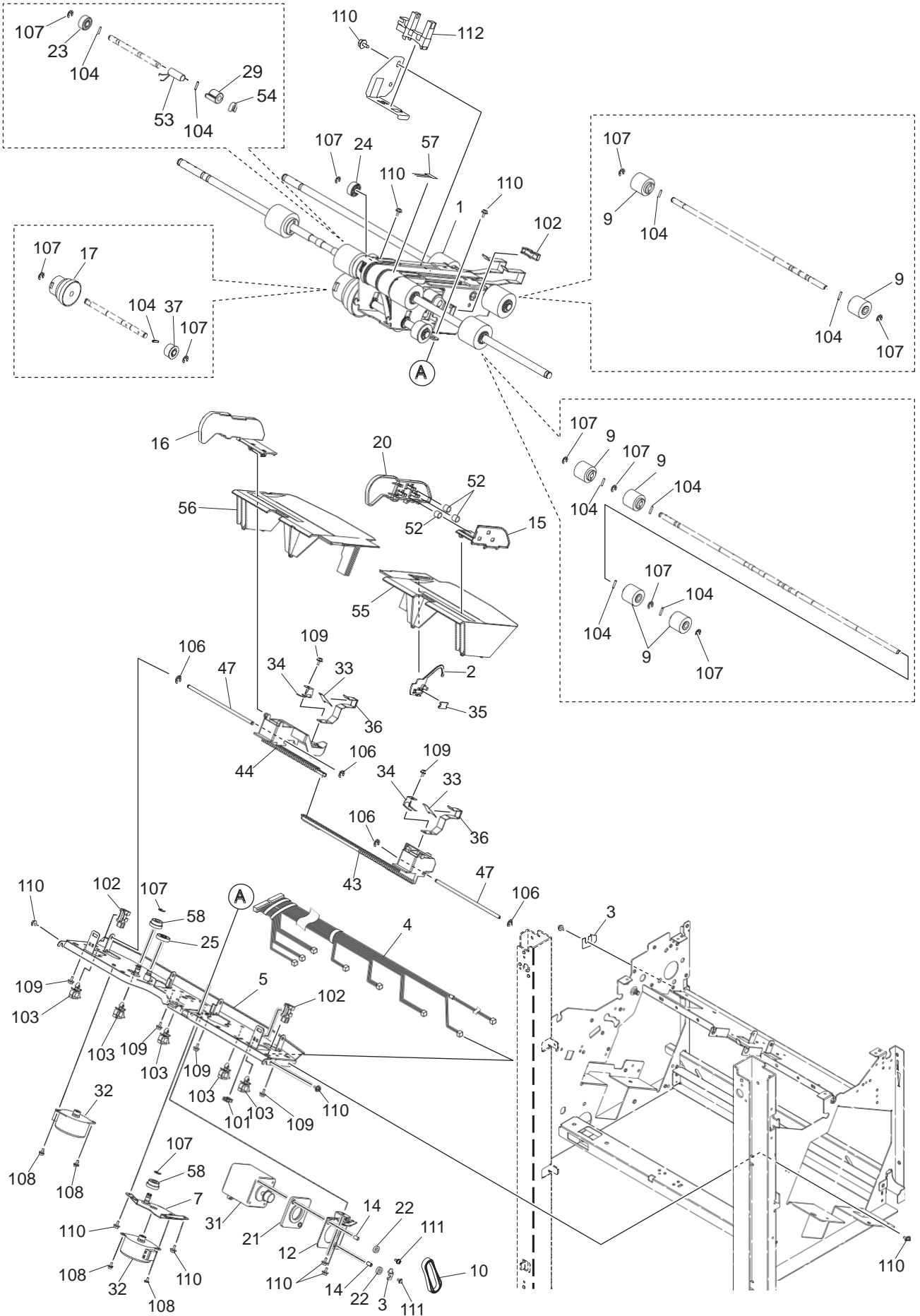
This Illustrated Parts Manual is to be used for part identification. Part numbers for the most often used parts are listed. To obtain parts for items that do not list an associated part number contact:

Oki Data Technical Support at 866.654.1725
for specific part numbers and part ordering information

ITEM No.	PART No.	PART NAME	Q'TY / PAGE	Q'TY / PACK	REMARKS
1		ACTR-STPL	1	1/C	
2		ASYS-BASE-STPL	1	1/P	
3		ASYS-CARR-STPL	1	1/P	
4		LABEL-GREEN-1	1	5/P	
5		ASYS-PLT-PLY-STPL	1	1/P	
6		ASYS-S-CARRIER	1	1/P	
7		BLT-60S3M-900-SP	1	1/P	
8		NO.C590	1	1/C	
9		MOTR-HB42-5S15-SP	1	1/C	
10		PLATE-EARTH-STPL	1	1/P	
11		PLATE-GID-HOLD-ARM	1	1/C	
12		PLATE-TURN-RAIL	1	1/P	
13		PLATE-TURN-STPL	1	1/P	
14		PLY-CARR-STPL	1	1/P	
15		PLY-S3M20-GEAR-5S40	1	1/P	
16		PWA-SPR-101	1	1/C	
17		RLR-BASE-STPL	2	1/P	
18		RLR-CARR-STPL	2	1/P	
19		RLR-SLIDE-STPL	1	1/P	
20		RUBR-STPL	3	5/P	
21		SHAFT-CARR-STPL	1	1/P	
22		SPG-ACRT-STPL	1	1/P	
23		SPG-CARR-STPL	1	1/P	
24		STOP-RING-6-5	2	5/P	
25		HRNS-SPRSFTSW	1	1/P	
26		HRNS-SPRCAR	1	1/P	
27		HRNS-SPRSFTHP	1	1/P	
28		HRNS-SPRFFC	1	1/P	
29		EH590T-STPL	1	1/C	
101		DS-02S	1	5/P	
102		ESC-0912	1	10/P	
103		FCR-30	3	5/P	
104		GP1A73ARJ00F RR/E-	2	1/P	
105		3-SS S/PAN/SWWP-	7	10/P	
106		M3X8-NI	2	10/P	
107		S/PAN/SWWS-M3X6-NI	4	10/P	
108		S/TPS/FHEXM/R-3X6-ZU3	20	10/P	
110		T18R	3	5/P	
111		S/TPS/PAN-3X16-ZU3	2	10/P	

This Illustrated Parts Manual is to be used for part identification. Part numbers for the most often used parts are listed. To obtain parts for items that do not list an associated part number contact:

Oki Data Technical Support at 866.654.1725
for specific part numbers and part ordering information



ITEM No.	PART No.	PART NAME	Q'TY / PAGE	Q'TY / PACK	REMARKS
1		ASYB-SHEAF-FEED	1	1/C	
2		ACTR-P-SNSR-SO	1	1/P	
3		PLT-EARTH-MTR	1	1/P	
4		HRNS-FIN3-BC2	1	1/P	
5		ASYS-BASE-BTM-PLATE	1	1/P	
7		ASYS-BRKT-MOTR-SO	1	1/P	
9		ASYS-RLR-SF-22R5	6	1/P	
10		BLT-60S2M-134-SF	1	1/P	
12		BRKT-MOTR-SF	1	1/P	
14		3382330-30065	2	5/P	
15		CARR-GUIDE-P-SIDE-FR	1	1/P	
16		CARR-GUIDE-P-SIDE-RR	1	1/D	
17		CLUCH-26G-6-10S30	1	1/D	
20		DMPR-GUIDE-P-SIDE-FR	1	1/P	
21		DUMPER_MOTOR_4210	1	1/P	
22		DUMPER_SCREW	2	5/P	
23		GEAR-10S14-6-DV	1	1/P	
24		GEAR-10S16-6	1	1/P	
25		GEAR-10S16-6-SO	1	1/P	
29		HLDR-SPG-SFAA	1	1/P	
31		MOTR-HB42K4-S2M20-VI	1	1/C	
32		MOTR-PM42-5S16-VI	2	1/C	
33		MYLAR-P-PRESS-SO	2	1/KP	
34		PLATE-EARTH-SO	2	1/C	
35		PLATE-P-SNSR-SO	1	1/P	
36		PLATE-STOP-RR-SIDE	2	1/P	
37		PULLY-S2M24-6-SF	1	1/P	
43		RACK-GUIDE-P-SIDE-FR	1	1/KP	
44		RACK-GUIDE-P-SIDE-RR	1	1/KP	
47		SHAFT-GUIDE-P-SIDE	2	1/P	
52		SPG-GUIDE-P-SIDE-FR	3	5/P	
53		SPG-SFFD-SUPT-SF	1	5/P	
54		STOP-RING-6-5	1	5/P	
55		TABLE-GUIDE-P-FR	1	1/PP	
56		TABLE-GUIDE-P-RR	1	1/PP	
57		BURUSH-CVR-FRM-FR	1	1/KP	
58		GEAR-5S40-10S16-6-PIT	2	1/P	
101		DS-02S	1	5/P	
102		GP1A73ARJ00F	2	1/P	
103		LWS-0711Z	5	5/P	
104		P/PRL/AH7-2X10-SS	9	10/P	
106		RR/E-3-SS RR/E-4-SS	4	10/P	
107		S/PAN/SWWS-M3X6-NI	12	10/P	
108		S/TPP/FHEXM-3X6-NI	4	10/P	
109			6	10/P	
110		S/TPS/FHEXM/R-3X6-ZU3	10	10/P	
111		S/PAN/SWWP-M3X12-NI	2	10/P	
112		LG285D1	1	1/P	

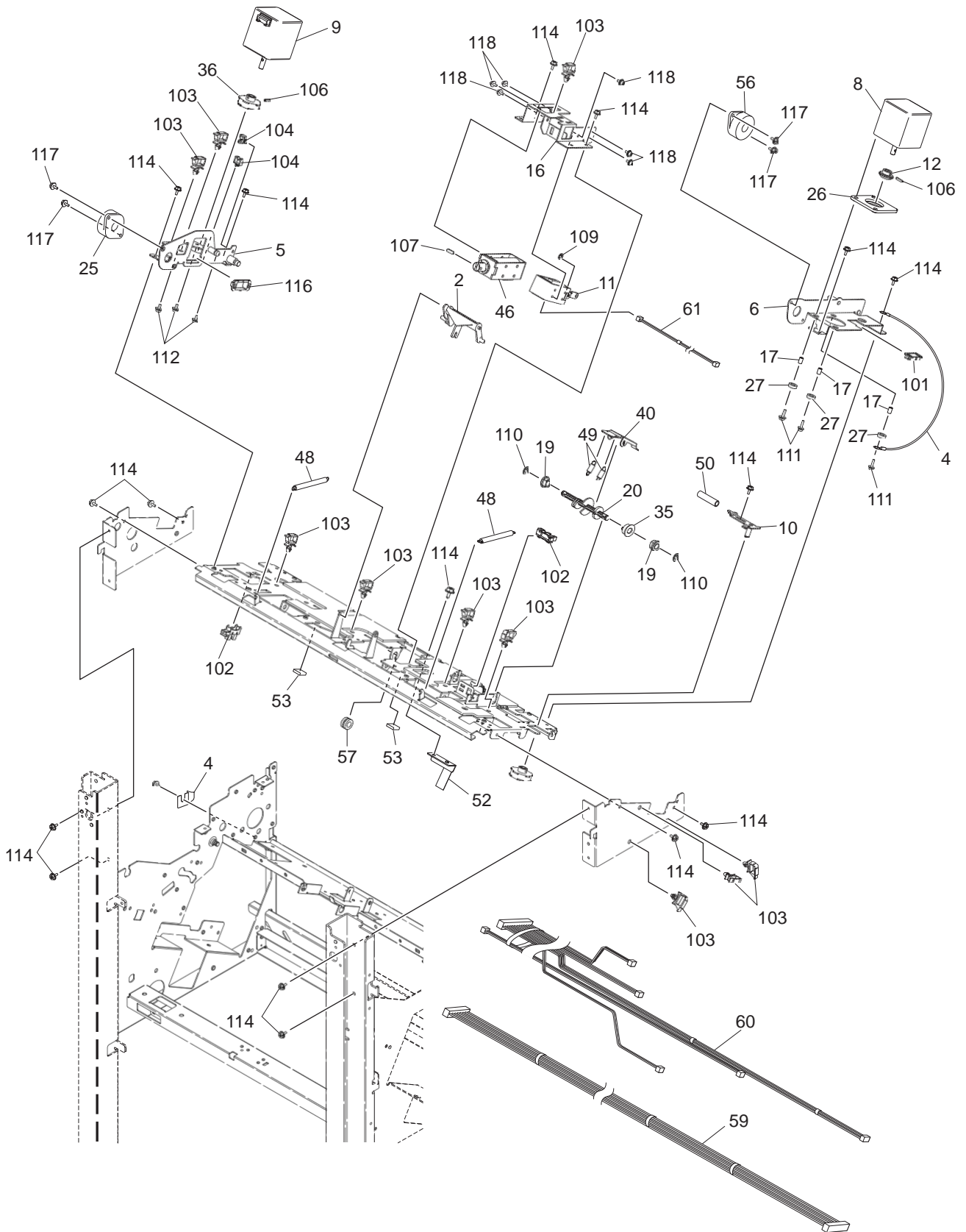
This Illustrated Parts Manual is to be used for part identification. Part numbers for the most often used parts are listed. To obtain parts for items that do not list an associated part number contact:

Oki Data Technical Support at 866.654.1725
for specific part numbers and part ordering information

ITEM No.	PART No.	PART NAME	Q'TY / PAGE	Q'TY / PACK	REMARKS
1		ACT-SEN-R2-BU-C	1	1/P	
2		ARM-PAPER-PRESS-BUF	2	1/P	
3		ASYS-FLAP-BU-C	1	1/D	
4		ASYS-SOL-LINK-BU-C	1	1/P	
5		BRKT-FLPA-BU-C	1	1/P	
6		ASYS-BRKT-SOL-FLP-BU-C	1	1/P	
7		BRUSH-TRAY-F-BU-C	1	1/KP	
8		BRUSH-TRAY-R-BU-C	1	1/KP	
9		BUSH-6-GCB	4	5/P	
10		ASYS-CVR-BOTTOM-BU-C	1	1/PP	
11		CVR-UPPER-BU-C	1	1/PP	
12		FRM-SIDE-F-BU-C	1	1/P	
13		PLT-SD-PIVOT-D-BU-C	1	1/P	
14		GEAR-FEED-LOW-6	1	1/P	
15		HRNS-FIN1-A	1	1/P	
16		P/PRL/AH7-3X25-SS	1	10/P	
17		P/PRL/AH7-3X35-SS	12	10/P	
18		PL-METAL-AST-ARM-BUF	1	1/P	
19		SHIELD-FRT-BU-C	1	1/C	
20		PLT-CVR-UPPER-BU-C	1	1/P	
21		PLT-SEN-A-BU-C	1	1/P	
22		RLR-D15XL20-BU-C	4	1/P	
23		RLR-D20XL20-BU-C	8	1/P	
24		RLR-FED-TRY-BU-C-PIT	1	1/KP	
25		SOL-10-SL-BUF	1	1/D	
26		SPG-AC-BU-C	1	1/C	
27		SPG-AST-ARM-BUF	2	1/P	
28		SPG-BTM-BU-C	4	1/P	
29		SPG-FLP-BU-C	1	1/P	
30		SPG-UPR1-BU-C	4	1/P	
31		SPG-UPR2-BU-C	4	1/P	
32		TRAY-GUIDE-BU-C	1	1/PP	
33		SHIELD-RER-BU-C	1	1/KP	
34		FELT-AST-ARM-BUF	1	5/P	
35		BRUSH-AST-ARM-PIT	1	1/KP	
36		FILM1-SUPT-TRAY-BU-C	1	1/C	
37		FILM2-SUPT-TRAY-BU-C	2	1/C	
38		FILM3-SUPT-TRAY-BU-C	1	1/C	
39		MYLAR-CVR-UP-T01	3	1/KP	
101		GP1A73ARJ00F	1	1/P	
102		P/PRL/AH7-2X10-SS	1	10/P	
103		RR/E-5-SS S/PAN/SWWP-	3	10/P	
104		M3X5-NI S/TPP/FHEXM-	4	10/P	
105		3X6-NI S/TPS/FHEXM/R-	23	10/P	
106		3X6-ZU3	7	10/P	
107		T18R	1	5/P	
108		P/SPW/AW-3X10-SS	1	10/P	

This Illustrated Parts Manual is to be used for part identification. Part numbers for the most often used parts are listed. To obtain parts for items that do not list an associated part number contact:

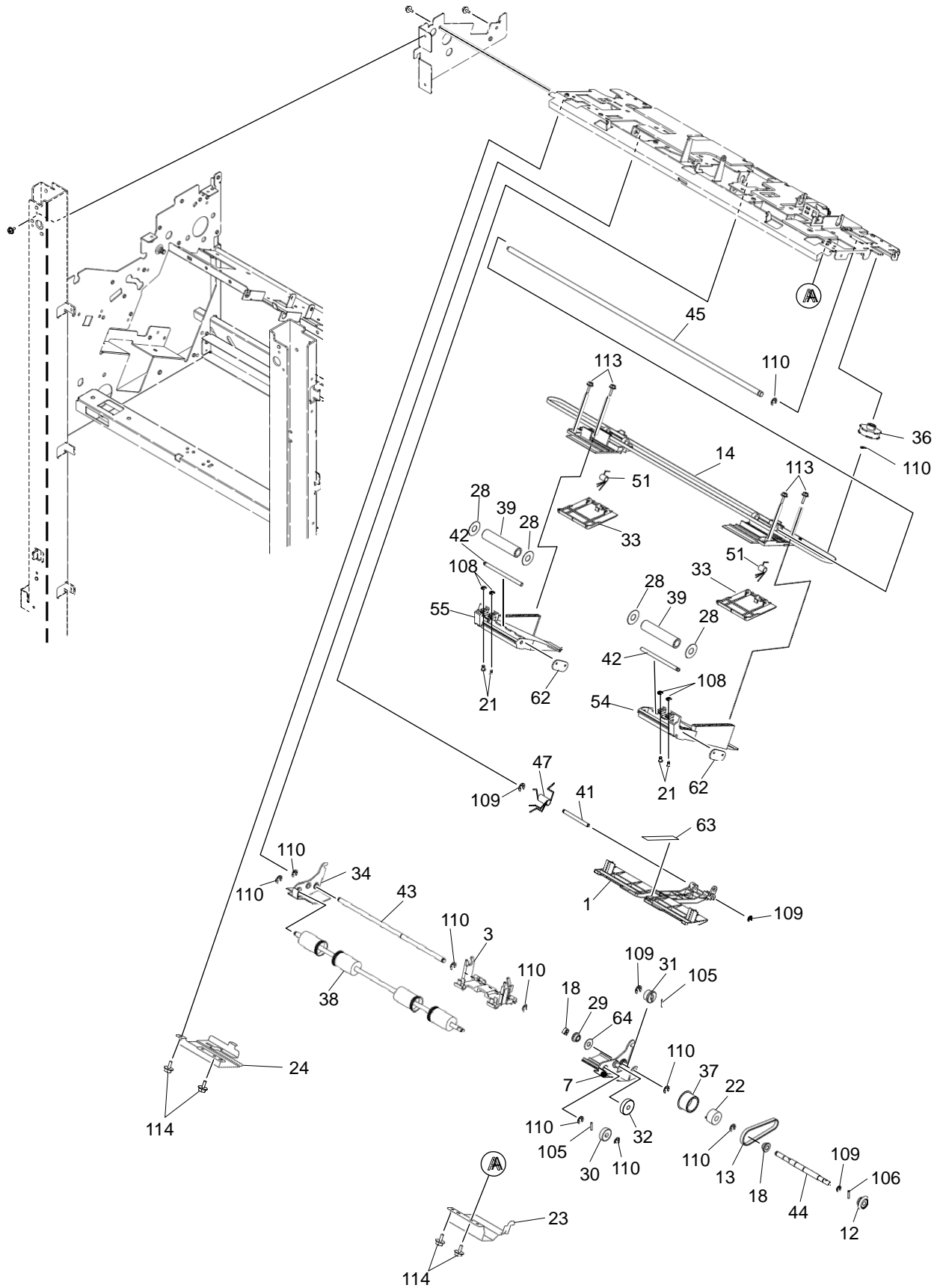
Oki Data Technical Support at 866.654.1725
for specific part numbers and part ordering information



ITEM No.	PART No.	PART NAME	Q'TY / PAGE	Q'TY / PACK	REMARKS
2		ARM-E-RLR-2-BUF	1	1/P	
4		HRNS-ERT	1	1/P	
5		ASYS-HLDR-MOTR-BUF	1	1/P	
6		ASYS-HLDR-TRAY-BUF	1	1/P	
8		MOTR.S-EXT-RLR-BUF	1	1/C	
9		MOTR.S-TRAY-BUFFER	1	1/C	
10		ASYS-PLT-TENSSION-BUF	1	1/P	
11		ASYS-SOL-10-SL-BUF	1	1/D	
12		BEVEL-GEAR-EXT-BUF	1	1/P	
16		BRKT-SOL-BUF	1	1/P	
17		3382330-30065	3	5/P	
19		BUSH-6-GCB CAM-	2	5/P	
20		SHAFT-BUF DMPR-	1	1/D	
25		OWHF10-10NLS	1	1/D	
26		DUMPER_MOTOR_4212	1	1/P	
27		DUMPER_SCREW	3	5/P	
35		PLY/T-2GT020-06	1	1/P	
36		PLY-MOTOR	1	1/P	
40		SEESAW-ARM-BUF	1	1/P	
46		SOL-10LSA-BUF	1	1/D	
48		SPG-EXT-BUF	2	1/P	
49		SPG-SEESAW-ARM-BUF	2	1/P	
50		SPG-TENSSION-BUF	1	1/P	
52		BRUSH-AST-ARM-BUF	1	1/C	
53		FELT-ARM-DROP-BUF	2	5/P	
56		DMPR-OWHF10-10NRS	1	1/D	
57		GLOMET-6X8X11	1	5/P	
59		HRNS-CPL	1	1/P	
60		HRNS-FIN2	1	1/P	
61		HRNS-MG3	1	1/P	
101		ESC-0912	1	10/P	
102		GP1A73ARJ00F	2	1/P	
103		LWS-0711Z	10	5/P	
104		MSB-1207	2	5/P	
106		P/SPW/AW-2X10-SS	2	10/P	
107		P/SPW/AW-3X10-SS	1	10/P	
109		RR/E-3-SS	1	10/P	
110		RR/E-4-SS	2	10/P	
111		S/PAN/SWWP-M3X12-NI	3	10/P	
112		S/PAN/SWWP-M3X6-ZU3	3	10/P	
114		S/TPS/FHEXM/R-3X6-ZU3	12	10/P	
116		TSB-1909N	1	1/P	
117		S/TPS/FHEXM/R-3X8-ZU3	4	10/P	
118		S/PAN/SWWP-M3X5-NI	6	10/P	

This Illustrated Parts Manual is to be used for part identification. Part numbers for the most often used parts are listed. To obtain parts for items that do not list an associated part number contact:

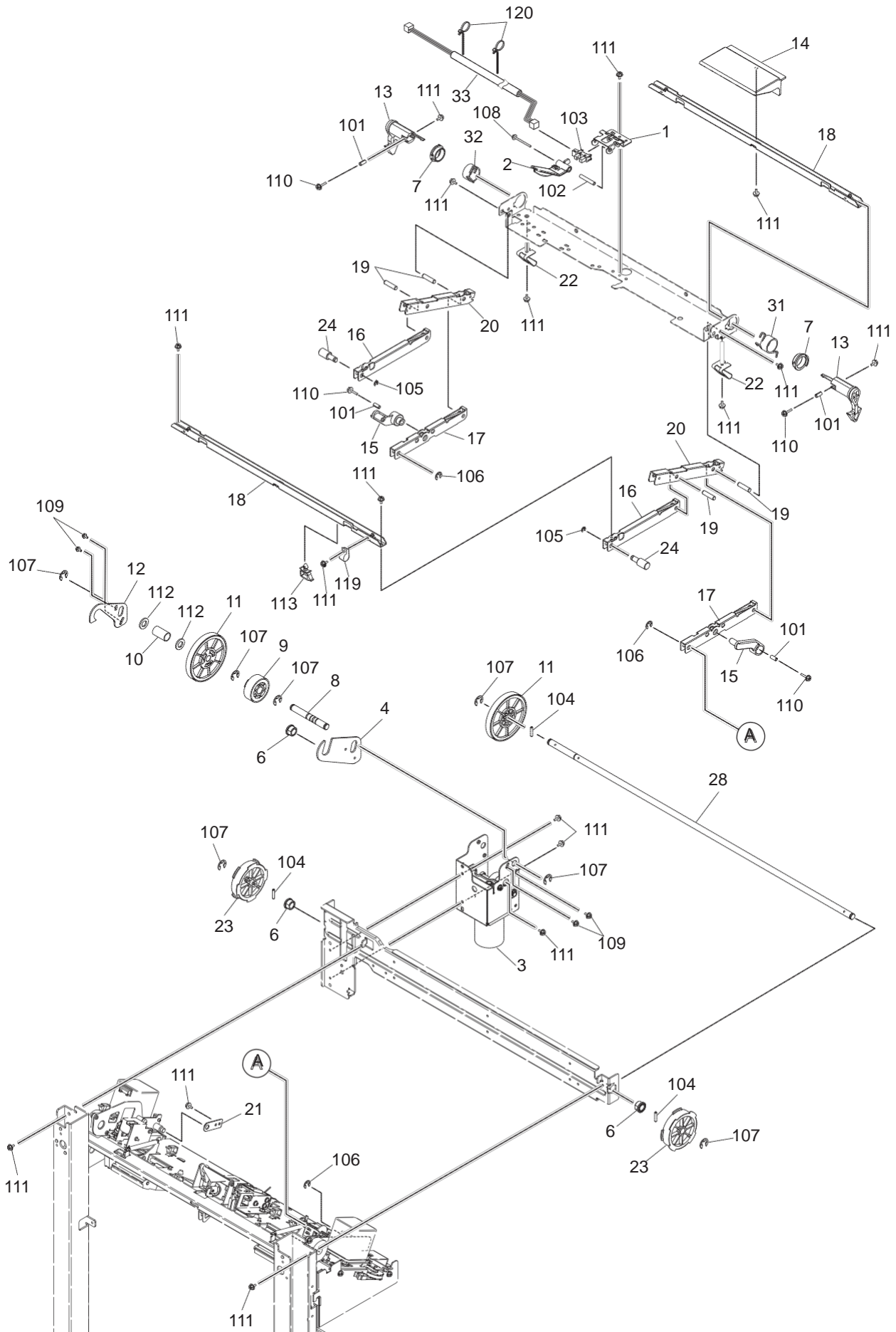
Oki Data Technical Support at 866.654.1725
for specific part numbers and part ordering information



ITEM No.	PART No.	PART NAME	Q'TY / PAGE	Q'TY / PACK	REMARKS
1		ARM-DROP-BUFFER-2	1	1/PP	
3		ARM-E-RLR-BUFFER	1	1/P	
7		ASYS-LVR-E-RLR-BUF-RBT	1	1/C	
12		BEVEL-GEAR-EXT-BUF	1	1/P	
13		BLT-136-2GT-4-BUF	1	1/P	
14		ASYS-TRAY-BELT-BUF	1	1/KP	
18		BUSH-5-POM-BUF	2	5/P	
21		CHIP-TRAY-SLIDE-BUF	4	5/P	
22		CLUTCH-6-08R2	1	1/P	
23		CVR-BELT-FRT	1	1/P	
24		CVR-BELT-RER	1	1/P	
28		WASHER-4.3X10.6X0.075	4	5/P	
29		STOP-RING-4	1	5/P	
30		GEAR1-EXT-RLR-BUF	1	1/P	
31		GEAR2-EXT-RLR-BUF	1	1/P	
32		GEAR-IDLER-EXT-BUF	1	1/P	
33		GUIDE-TRAY-UP	2	1/P	
34		LVR-E-RLR-BUF	1	1/P	
36		PLY-MOTOR	1	1/P	
37		PLY-P32-2GT-4-6-BUF	1	1/P	
38		RLR-EXIT-BUFFER	1	1/KP	
39		RLR-EXT-TRY	2	1/P	
41		SFT-DROP-AST-BUF	1	1/P	
42		SFT-EXT-PINCH-RLR-BUF	2	1/P	
43		SFT-EXT-RLR-BUF	1	1/P	
44		SFT-EXT-RLR-DRV-BUF	1	1/P	
45		SFT-TRY-BUF	1	1/P	
47		SPG-ARM-BUF	1	1/P	
51		SPG-TRAY-UP-BUF	2	1/P	
54		ASYS-TRAY-FRT-BUF	1	1/PP	
55		ASYS-TRAY-REAR-BUF	1	1/PP	
62		DUMPER-TRAY-SIDE	2	1/P	
63		MYLAR-ARM-DROP-PIT	1	1/P	
64		WSHR-5R3X13XR5-POM	1	5/P	
105		P/PRL/AH7-2X10-SS	2	10/P	
106		P/SPW/AW-2X10-SS	1	10/P	
108		RR/E-2-SS	4	10/P	
109		RR/E-3-SS	4	10/P	
110		RR/E-4-SS	10	10/P	
113		S/TPP/FHEXM-3X10-NI	4	10/P	
114		S/TPS/FHEXM/R-3X6-ZU3	4	10/P	

This Illustrated Parts Manual is to be used for part identification. Part numbers for the most often used parts are listed. To obtain parts for items that do not list an associated part number contact:

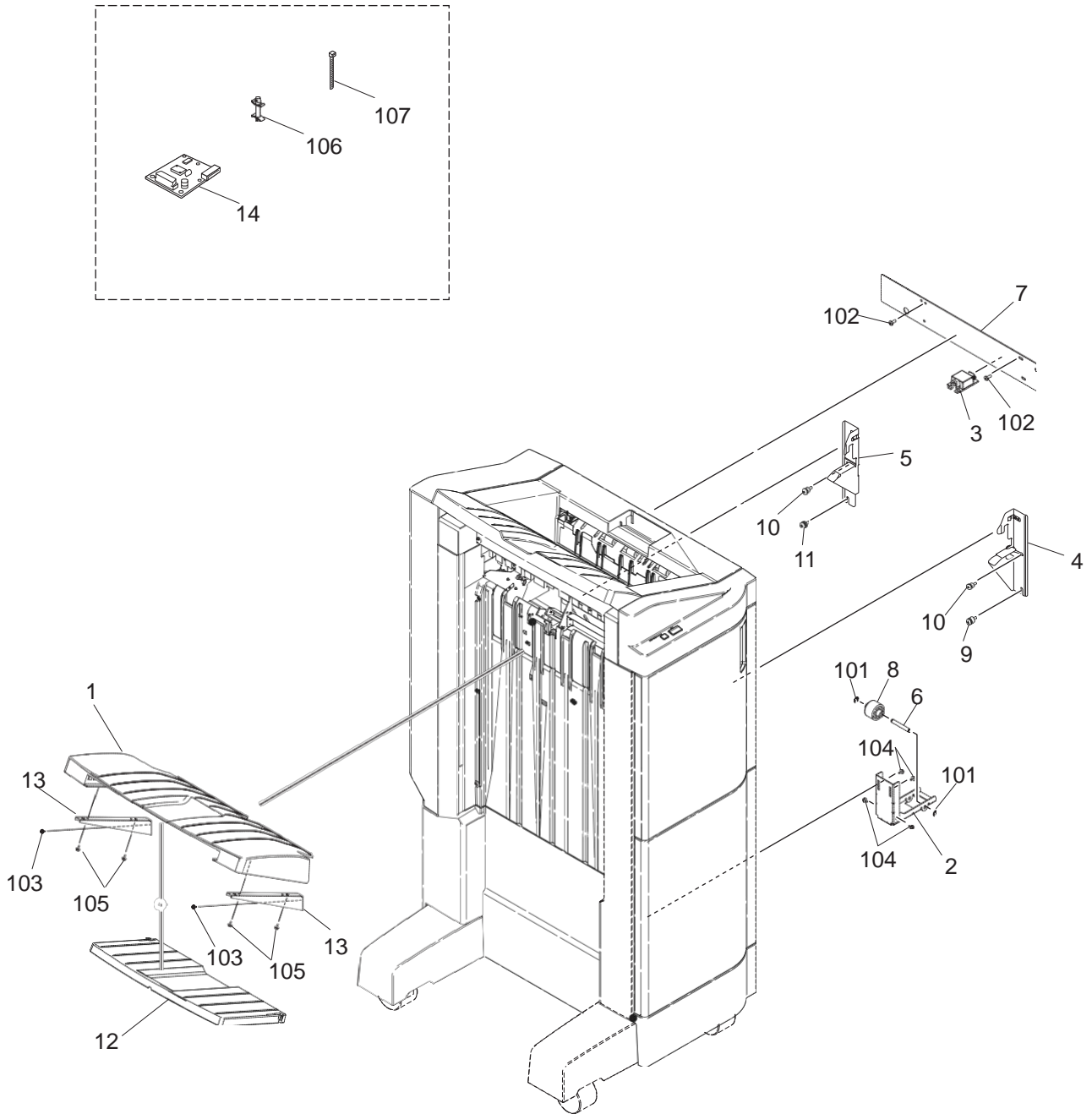
Oki Data Technical Support at 866.654.1725
for specific part numbers and part ordering information



ITEM No.	PART No.	PART NAME	Q'TY / PAGE	Q'TY / PACK	REMARKS
1		ACT-PLT-BU-C	1	1/P	
2		ACT-TRAY-BU-C	1	1/P	
3		ASYB-BOX-GEAR-TRAY	1	1/C	
4		PLT-GEAR-HOLD-FRT-TRAY	1	1/P	
6		BUSH-8X12X8F-NU4	3	5/P	
7		BUSH-LEVER-BU-C	2	5/P	
8		SHAFT3-DRV-TRAY	1	1/P	
9		GEAR-12R5S21-8-TRAY	1	1/P	
10		SPG-DRV-TRAY	1	1/P	
11		GEAR-12R5S51-8-TRAY	2	1/P	
12		PLT-GEAR-HOLD-RER-TRAY	1	1/P	
13		LEVER-BU-C LEVER-	2	1/P	
14		TRAY-BU-C LINK-	1	1/P	
15		COV-BTM-BU-C LINK-	2	1/P	
16		TRAY-PIT-BU-C	2	1/P	
17		LINK-TRAY-BU-C	2	1/P	
18		LVR-PLT-SFT-BU-C	2	1/P	
19		P/PRL/BH7-5X20-SS	4	10/P	
20		PLATE-LINK-BU-C	2	1/P	
22		PLT-SPG-TRAY-CH-BU-C	2	1/P	
23		PULLY-S5M32-8-TRAY	2	1/P	
24		SD-PIVOT-D-BU-C	2	1/P	
28		SHAFT4-DRV-TRAY	1	1/P	
31		SPG-LVR-OPN-F-BU-C	1	1/P	
32		SPG-LVR-OPN-R-BU-C	1	1/P	
33		HRNS-FIN1-B	1	1/P	
101		3382330-30090	4	5/P	
102		3382330-30250	1	5/P	
103		GP1A73ARJ00F	1	1/P	
104		P/PRL/AH7-2X16-SS	3	10/P	
105		RR/E-3-SS	2	10/P	
106		RR/E-5-SS	3	10/P	
107		RR/E-7-SS	7	10/P	
108		S/PAN/SWWP-M3X30-NI	1	10/P	
109		S/PAN/SWWS-M3X6-NI	4	10/P	
110		S/TPD3/FHEXM-3X12-ZU3	4	10/P	
111		S/TPS/FHEXM/R-3X6-ZU3	17	10/P	
112		W/PL/SJ0-8-NI	2	5/P	
113		LWS-0711Z	1	5/P	
119		NK-4N	1	5/P	
120		T18R	2	5/P	

This Illustrated Parts Manual is to be used for part identification. Part numbers for the most often used parts are listed. To obtain parts for items that do not list an associated part number contact:

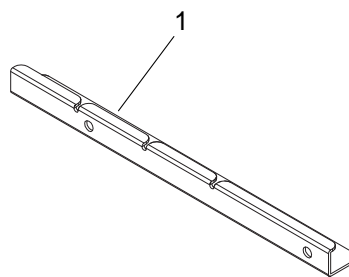
Oki Data Technical Support at 866.654.1725
for specific part numbers and part ordering information



ITEM No.	PART No.	PART NAME	Q'TY / PAGE	Q'TY / PACK	REMARKS
1		BIN-TRAY-LDVG	1	1/PP	
2		BRKT-SUPT-RLR	1	1/P	
3		COVER-CABLE-REAR-RBT	1	1/P	
4		ASYS-HOOK-LBL-FRT	1	1/P	
5		ASYS-HOOK-JOINT-RR-VI	1	1/P	
6		PIN-RLR-FRM-CENTER	1	1/P	
7		PLATE-RELAY-UNIT-DVG	1	1/P	
8		RLR-FRM-CENTER	1	1/P	
9		SCREW-PIN-HOOK-F-2	1	5/P	
10		SCREW-PIN-HOOK-F-R	2	5/P	
11		SCREW-PIN-HOOK-R-2	1	5/P	
12		SUBTRAY_MODEL_TRAY-PIT2	1	1/PP	
13		STAY-BIN-TRAY	2	1/P	
14		ASY-CNV-101	1	1/C	
101		RR/E-5-SS	2	10/P	
102		S/TPS/BID-4X10-NC	1	10/P	
103		S/PAN/SWWP-M3X8-NI	2	10/P	
104		S/TPS/FHEXM/R-3X6-ZU3	4	10/P	
105		S/TPP/FHEXM-3X6-NI	4	10/P	
106		SPD-7U	1	5/P	
107		T18R	1	5/P	

This Illustrated Parts Manual is to be used for part identification. Part numbers for the most often used parts are listed. To obtain parts for items that do not list an associated part number contact:

Oki Data Technical Support at 866.654.1725
for specific part numbers and part ordering information



ITEM No.	PART No.	PART NAME	Q'TY / PAGE	Q'TY / PACK	REMARKS
1		JIG-GID-PDL-2	1	1/P	

This Illustrated Parts Manual is to be used for part identification. Part numbers for the most often used parts are listed. To obtain parts for items that do not list an associated part number contact:

Oki Data Technical Support at 866.654.1725
for specific part numbers and part ordering information