

CX3535 / CX4545 MFP

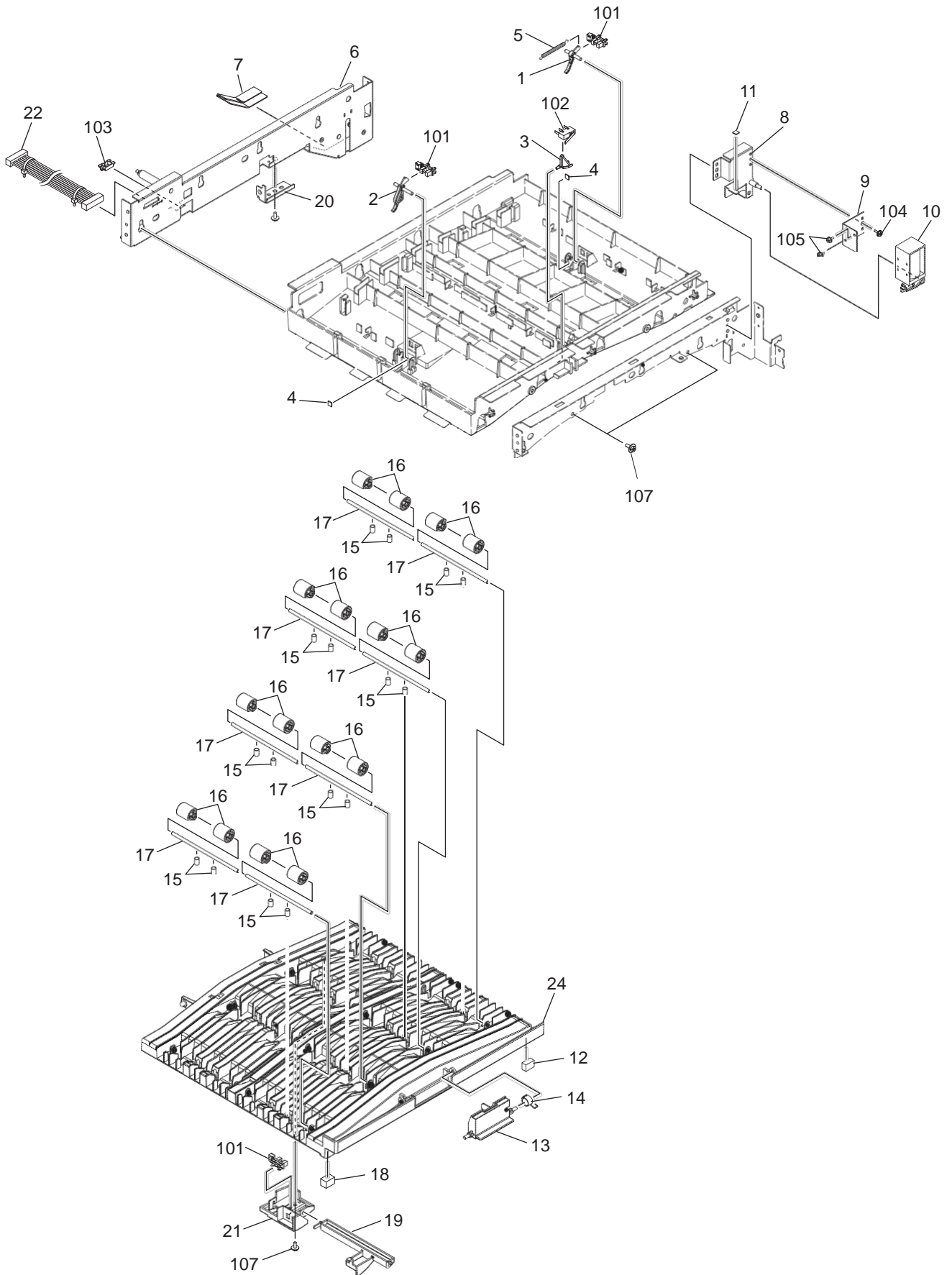
KN-4530
Bridge Kit
Illustrated
Parts Manual

This Illustrated Parts Manual is to be used for part identification. Part numbers for the most often used parts are listed. To obtain parts for items that do not list an associated part number contact:

Oki Data Technical Support at 866.654.1725
for specific part numbers and part ordering information

CONTENTS

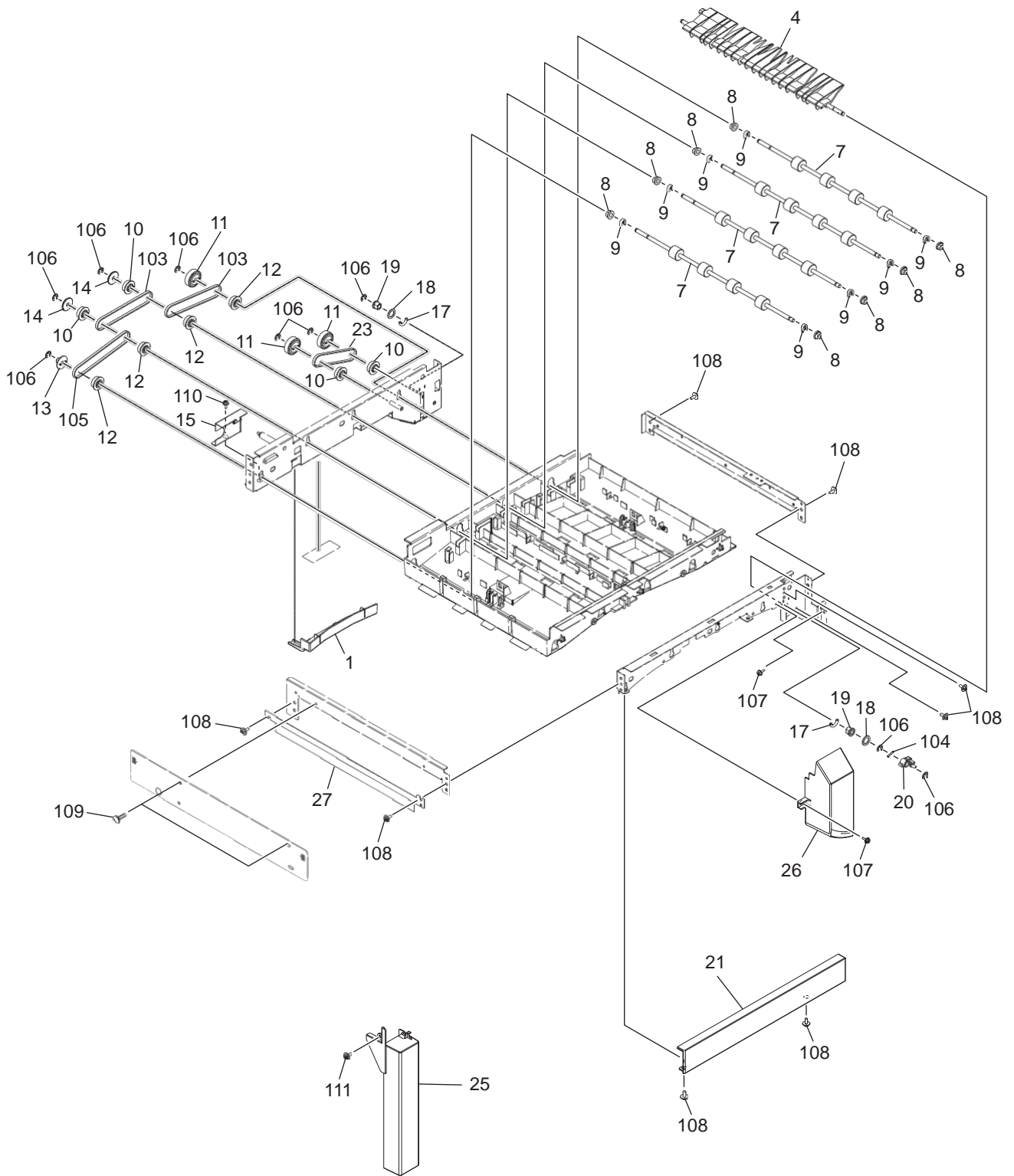
BRIDGE KIT 1	1
BRIDGE KIT 2	2



ITEM No.	PART No.	PART NAME	Q'TY / PAGE	Q'TY / PACK	REMARKS
1		ACTR-START-KN3500	1	1/P	
2		ACTR-END-KN3500	1	1/P	
3		LEVER-SENS	1	1/P	
4		CUSH-ACTR-KN4530	2	1/P	
5		SPG-ACTR	1	1/P	
6		ASYS-FRAME-SIDE-SODE-R	1	1/P	
7		CUSHION-E	1	1/P	
8		ASYS-PLATE-SOL-K2	1	1/P	
9		PLATE-SPACER-SOL-K2	1	1/P	
10		ASYS-SOL-KN4530	1	1/C	
11		CUSHION-C	1	5/P	
12		CUSHION-R-KN3500	1	1/P	
13		LEVER-OPEN-KN-4530	1	1/P	
14		SPG-COV-OPEN	1	1/P	
15		SPG-PINCH	16	1/P	
16		RLR-PINCH	16	1/P	
17		SHAFT-PINCH	8	1/P	
18		CUSHION-G	1	1/P	
19		ACTR-SENS-FULL	1	1/P	
20		FRAME-HINGE	1	1/P	
21		HOLDER-SENSFUL-KN4520	1	1/P	
22		ASY-HRNS-FULL-SENSOR	1	1/P	
24		COVER-BTM-KN-4530	1	1/PP	
101		LG248NL2	3	1/C	
102		SS-01GL111T	1	1/D	
103		ESC-0912	1	10/P	
104		S/TPD3/FHEXM-3X8-ZU3	1	10/P	
105		S/FHEXM-M3X6-NI	2	10/P	
107		S/TPP/FHEXM-4X8-NI	3	10/P	

This Illustrated Parts Manual is to be used for part identification. Part numbers for the most often used parts are listed. To obtain parts for items that do not list an associated part number contact:

Oki Data Technical Support at 866.654.1725
for specific part numbers and part ordering information



ITEM No.	PART No.	PART NAME	Q'TY / PAGE	Q'TY / PACK	REMARKS
1		COVER-HRNS	1	1/P	
4		ASYS-FLAPPER-KN-4530	1	1/P	
7		RLR-FEED	4	1/KP	
8		BUSH-TRACTOR	8	5/P	
9		STOP-RING-6-5-POM	8	5/P	
10		PULLY-S3M20-6-A	4	1/P	
11		GEAR-1S27	3	1/P	
12		PULLY-S3M20-6-B	4	1/P	
13		FLANGE-PULLEY-B	1	1/P	
14		FLANGE-PULLEY	2	1/P	
15		COVER-CONNECTOR	1	1/P	
17		SPG-FLAP	2	1/P	
18		FLANGE-WASHER	2	1/P	
19		BUSH-6X11-GCB	2	5/P	
20		LINK-FLAPPER	1	1/P	
21		COVER-FR_DV	1	1/P	
23		40-S3M-219R	1	1/P	
25		COV-PFPSIDE-KN-4530	1	1/P	
26		COVER-SL_DV	1	1/PP	
27		BRUSH-AST-ARM	1	1/KP	
103		40-S3M-270R	2	1/P	
104		P/PRL/AH7-2X12-SS	1	10/P	
105		40-S3M-276R RR/E-5-SS	1	1/P	
106		S/TPD3/FHEXM-3X8-ZU3	9	10/P	
107			2	10/P	
108		S/TPD3/FHEXM-4X8-ZU3	6	10/P	
109		S/TPS/BID-4X10-NC	2	10/P	
110		S/TPS/FHEXM/R-3X6-ZU3	1	10/P	
111		S/TPP/FHEXM-4X12-NI	1	10/P	

This Illustrated Parts Manual is to be used for part identification. Part numbers for the most often used parts are listed. To obtain parts for items that do not list an associated part number contact:

Oki Data Technical Support at 866.654.1725
for specific part numbers and part ordering information

