

CX3535 / CX4545 MFP

KD-1028

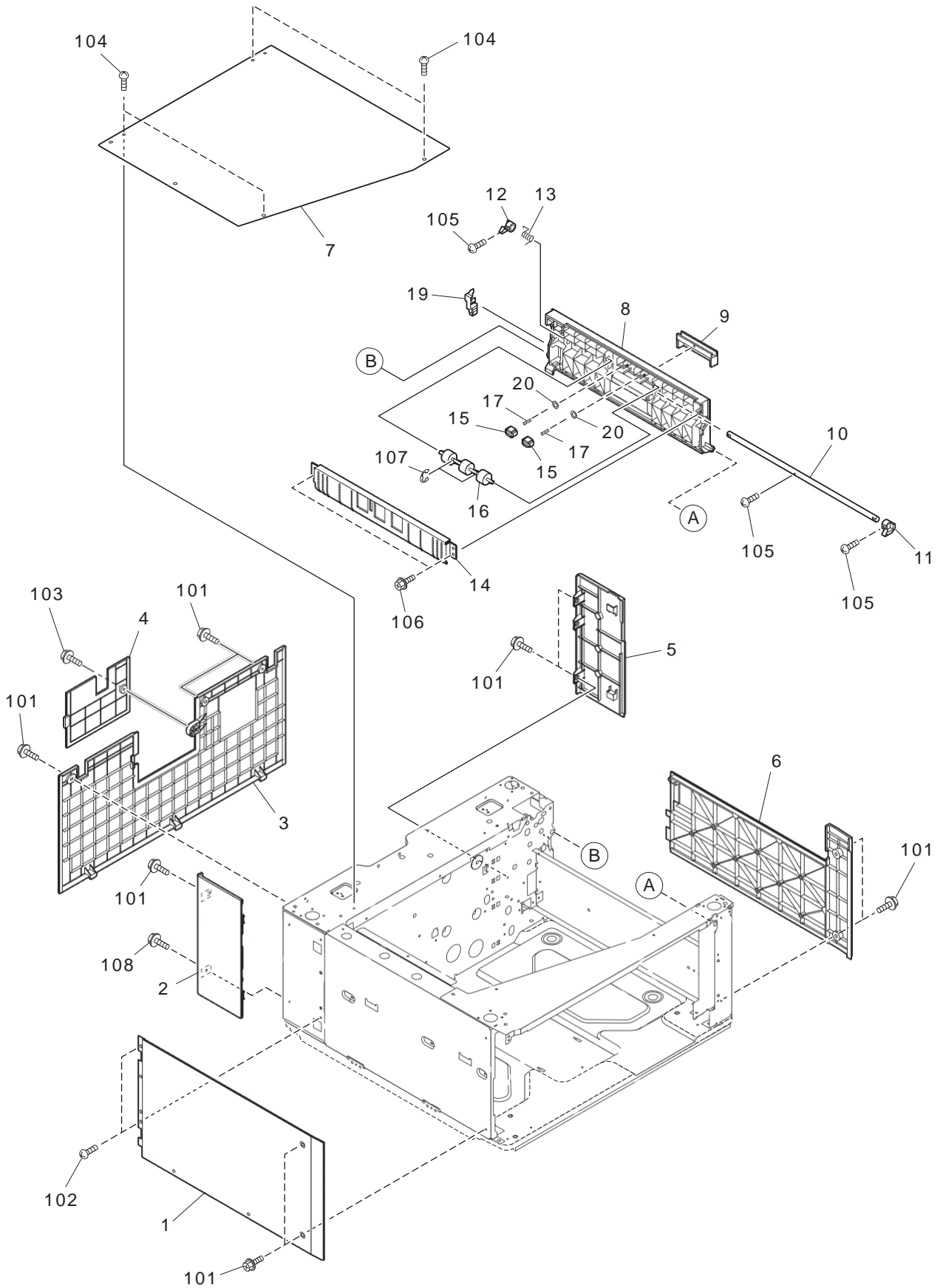
**Large Capacity Feeder
Illustrated
Parts Manual**

This Illustrated Parts Manual is to be used for part identification. Part numbers for the most often used parts are listed. To obtain parts for items that do not list an associated part number contact:

Oki Data Technical Support at 866.654.1725
for specific part numbers and part ordering information

CONTENTS

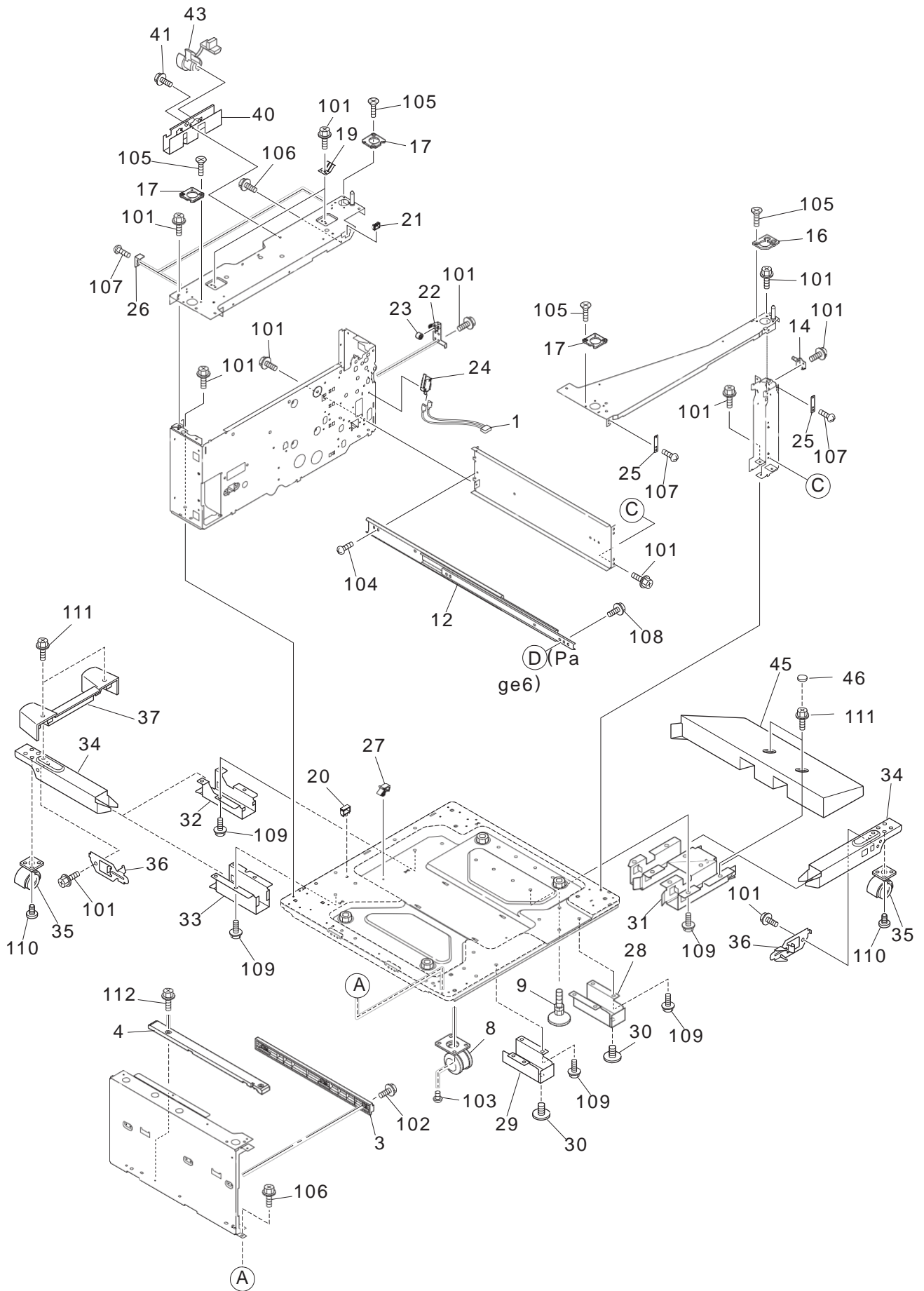
COVER	1
FRAME.....	2
DRIVE	3
FEEDER/TRANSPORT 1.....	4
FEEDER/TRANSPORT 2.....	5
DRAWER 1	6
DRAWER 2	7
DRAWER 3/TRAY	8



ITEM No.	PART No.	PART NAME	Q'TY / PAGE	Q'TY / PACK	REMARKS
1 B		COVER-LEFT-F-DVG	1	1/PP	
2 B		COVER-LEFT-R-DVG	1	1/PP	
3 B		COVER-REAR-DVG	1	1/PP	
4 B		COVER-R-I/F-EXP-DVG	1	1/D	
5 B		COVER-RIGHT-R-DVG	1	1/PP	
6		COVER-RIGHT-F-DVG	1	1/PP	
7		BRKT-COVER-TOP COV-	1	1/KP	
8		FEED-OPEN-DVG	1	1/PP	
9		HANDLE-COV-OPEN-DVG	1	1/P	
10		SHAFT-LOCK	1	1/P	
11		FOOK-LEVER-F	1	1/P	
12		FOOK-LEVER-R SP-	1	1/P	
13		LEVER-OPEN	1	5/C	
14		BRKT-GUIDE-FEED	1	1/P	
15		BUSH-PRESS-4	2	5/P	
16	53367103	ROLLER-FEED	1	1/KP	
17		SPC045-060-0133	2	5/P	
19		STOPPER-COV-FED	1	1/P	
20		WASHER-V-FEED	2	10/P	
101		TPHEX30X08-S-P	10	10/P	
102		TBID30X06-GLD	2	10/P	
103		TPHEX30X10-G-M	1	10/P	
104		SCREW-M3*6R	5	10/P	
105		BID30X06-GLD	3	10/P	
106		TPHEX30X10-G-M	2	10/P	
107		ERR030-BLK	2	10/P	
108		TPHEX30X06-S-P	1	10/P	

This Illustrated Parts Manual is to be used for part identification. Part numbers for the most often used parts are listed. To obtain parts for items that do not list an associated part number contact:

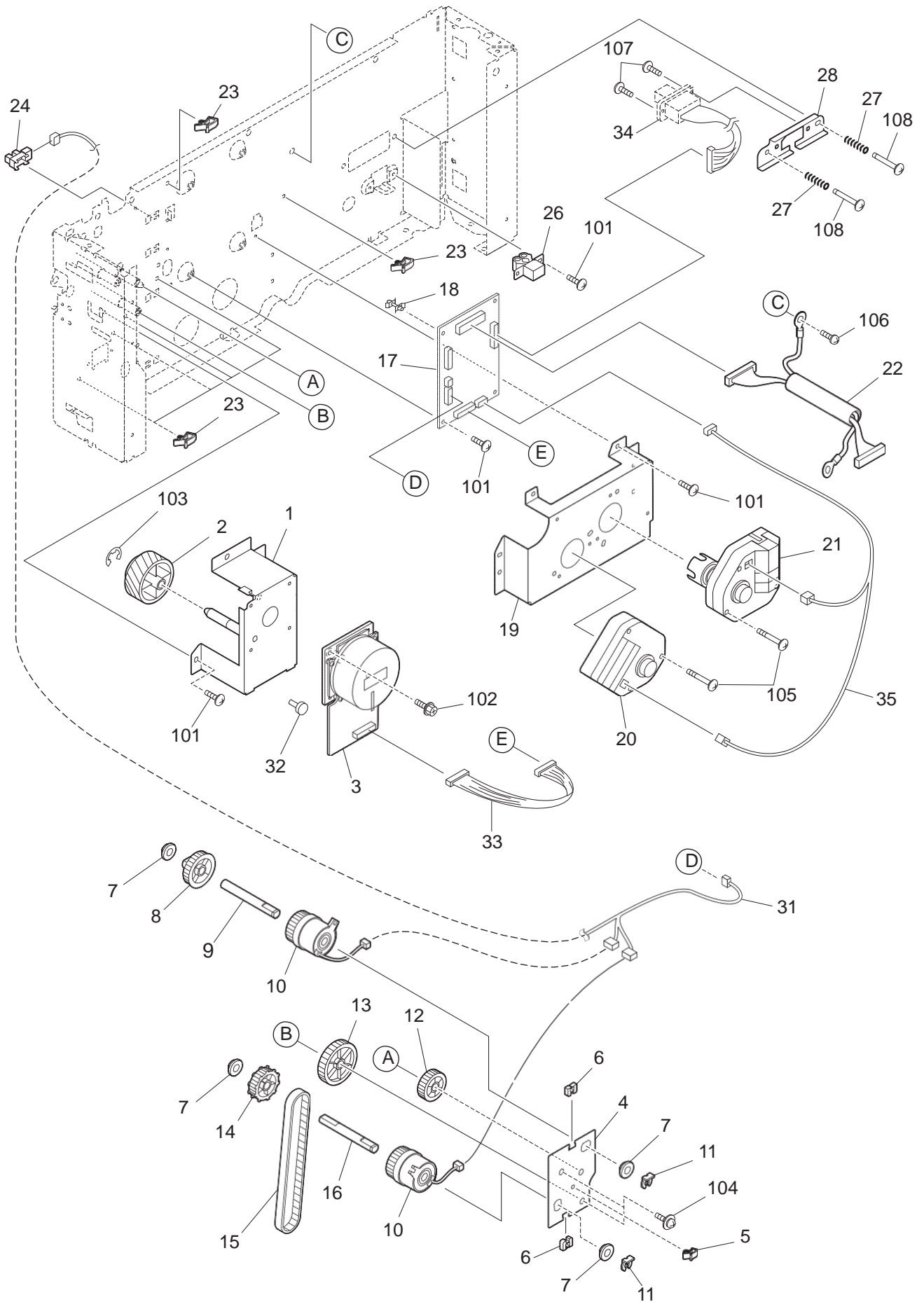
Oki Data Technical Support at 866.654.1725
for specific part numbers and part ordering information



ITEM No.	PART No.	PART NAME	Q'TY / PAGE	Q'TY / PACK	REMARKS
1		WH-SW-CONNECT	1	1/P	
3		RAIL-TOP-L	1	1/P	
4		RAIL-LOW-L	1	1/P	
8		CASTER-LCF-N	4	1/D	
9		ASY-STAND	4	1/P	
12		SLIDER-RAIL	1	1/P	
14		K-BRKT-LOCK-F	1	1/P	
16		SPACER-TOP-F-R	1	1/P	
17		SPACER-TOP-LCF	3	1/P	
19		SPL-EARTH-LCF	2	1/P	
20		CLP-LWS-1S	3	5/P	
21		CLP-ES-0510	1	5/P	
22		SPL-TENSION	1	1/P	
23		PLY-TENSION-12	1	1/P	
24		MICRO-SW	1	1/C	
25		BRKT-CONNECT-F	2	1/P	
26		BRKT-CONNECT-R	2	1/P	
27		CLP-H-1	1	5/P	
28		K-BRKT-ADJ-FR	1	1/D	
29		K-BRKT-ADJ-FL	1	1/D	
30		ADJ-FOOT-40	2	1/P	
31		BRKT-FOOT-R	1	1/D	
32		BRKT-FT-REAR-R	1	1/P	
33		BRKT-FT-REAR-L	1	1/P	
34		FOOT-SUB	4	1/P	
35		CASTOR-FOOT	4	1/P	
36		SPL-STP-FOOT	4	1/P	
37		COVER-FOOT-REAR-N	1	1/PP	
40		BRKT-INTERFACE	1	1/P	
41		TPHEX30X06-S-P	1	10/P	
43		CLAMP-HRNS-LARGE	1	5/P	
45		COVER-FOOT-SIDE-N	1	1/PP	
46		LID-SCREW-PFP-N	2	1/P	
101		TPHEX30*06-G-P	33	10/P	
102		TPHEX30X08-S-P	3	10/P	
103		SCREW-M5X6	8	10/P	
104		TBID30X06-GLD	2	10/P	
105		FLT-30X06	8	10/P	
106		SCREW-Z-M3*6	7	10/P	
107		TPHEX30X06-S-P	6	10/P	
108		BID40X06-GLD	2	10/P	
109		PAN40*05ZN3A	24	10/P	
110		SCREW-M4-7-R	16	10/P	
111		TPHEX30X08-S-P	4	10/P	
112		TPHEX30X08-S-P	2	10/P	

This Illustrated Parts Manual is to be used for part identification. Part numbers for the most often used parts are listed. To obtain parts for items that do not list an associated part number contact:

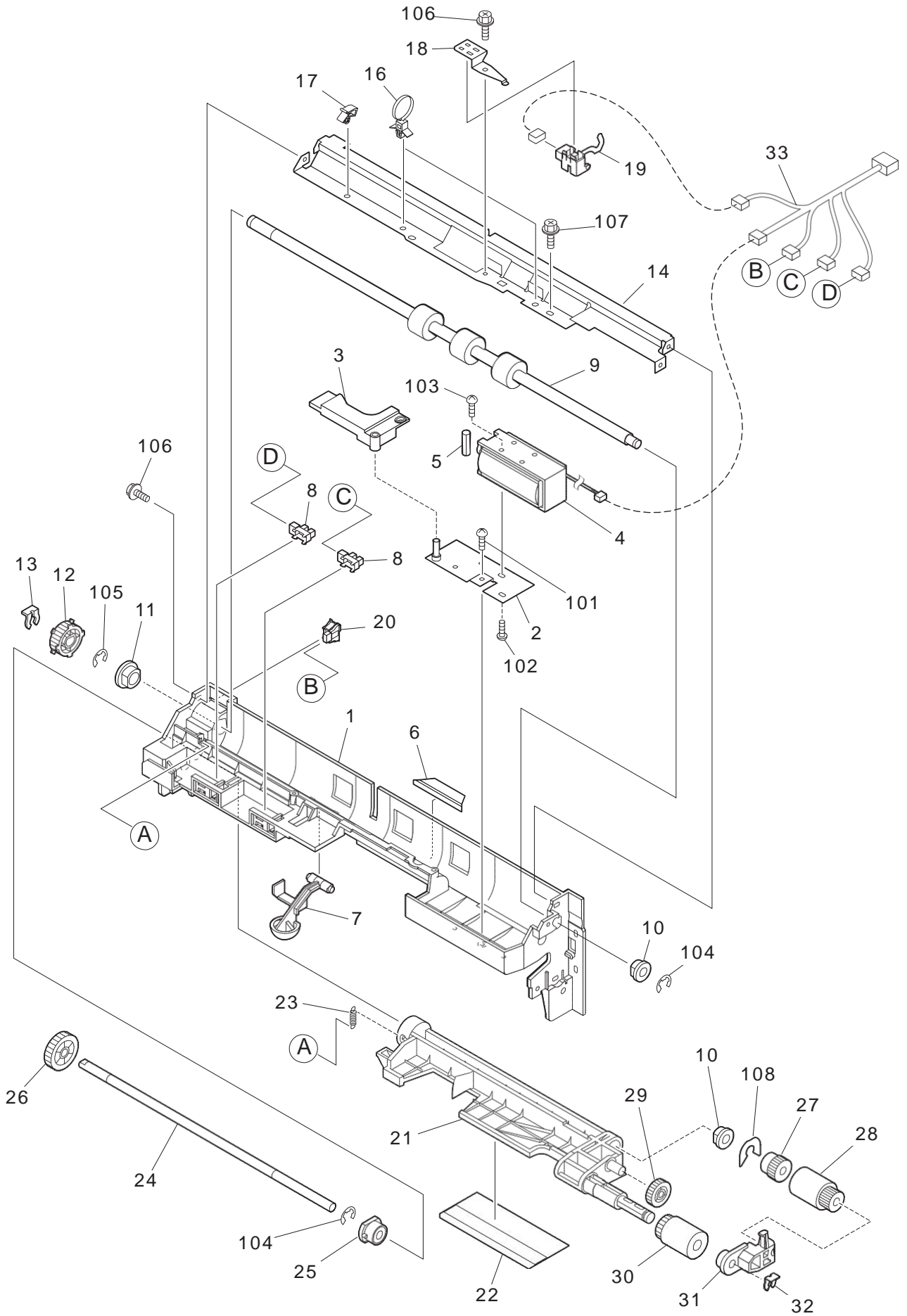
Oki Data Technical Support at 866.654.1725
for specific part numbers and part ordering information



ITEM No.	PART No.	PART NAME	Q'TY / PAGE	Q'TY / PACK	REMARKS
1	56527404	K-BRKT-MOT-LCF	1	1/P	
2		GEAR-MOT-27Z	1	1/P	
3		M/DC-DRIVE-LCF	1	1/C	
4		BRKT-DRIVE-LCF	1	1/P	
5		CLP-H-1	1	5/P	
6	51403706	CLP-ES-0505	2	5/P	
7		BUSH-8-DRV	4	5/P	
8		GEAR-IDLER-31Z	1	1/P	
9		SHAFT-CLT-FEED	1	1/P	
10		MAGNETIC-CLT	2	1/D	
11		STOP-RING-6	2	10/P	
12		GEAR-IDLER-27Z	1	1/P	
13		GEAR-IDLER-41Z	1	1/P	
14		PLY/T-DRIVE-31T	1	1/P	
15		BLT/T-S3M258	1	1/P	
16	55120505	SHAFT-CLT-FED-T	1	1/P	
17		PWA-LCF-T	1	1/SB	
18		CLP-4.8	1	5/P	
19	56525001	BRKT-MOT-TAN	1	1/P	
20		M/DC-TRAY-UP	1	1/D	
21	56525002	M/DC-SLIDER	1	1/D	
22		WH-I/F-LCF	1	1/P	
23		CLP-H-2	6	5/P	
24		PHD-EE	2	1/C	
26		HOLDER-TRAY	2	1/P	
27		SPC-DRAW-13.35N	2	1/P	
28		BRKT-DRW WH-	1	1/P	
31		CTL-LCF FOOT-	1	1/P	
32		PWA-LCF WH-M-	1	5/P	
33		DC-LCF	1	1/P	
34		WH-TRAY-CONNECT	1	1/P	
35		WH-MOT-LCF_A4	1	1/P	
101		SCREW-Z-M3*6	14	10/P	
102		TPHEX30X08-S-P	6	10/P	
103		ERR060-BLK	1	10/P	
104		ZPAN30X06-GLD	2	10/P	
105		SCREW-BKT-MOT	6	10/P	
106		BID40X06-GLD	1	10/P	
107		SCREW-CON	2	10/P	
108		SCREW-DRW-CON	2	10/P	

This Illustrated Parts Manual is to be used for part identification. Part numbers for the most often used parts are listed. To obtain parts for items that do not list an associated part number contact:

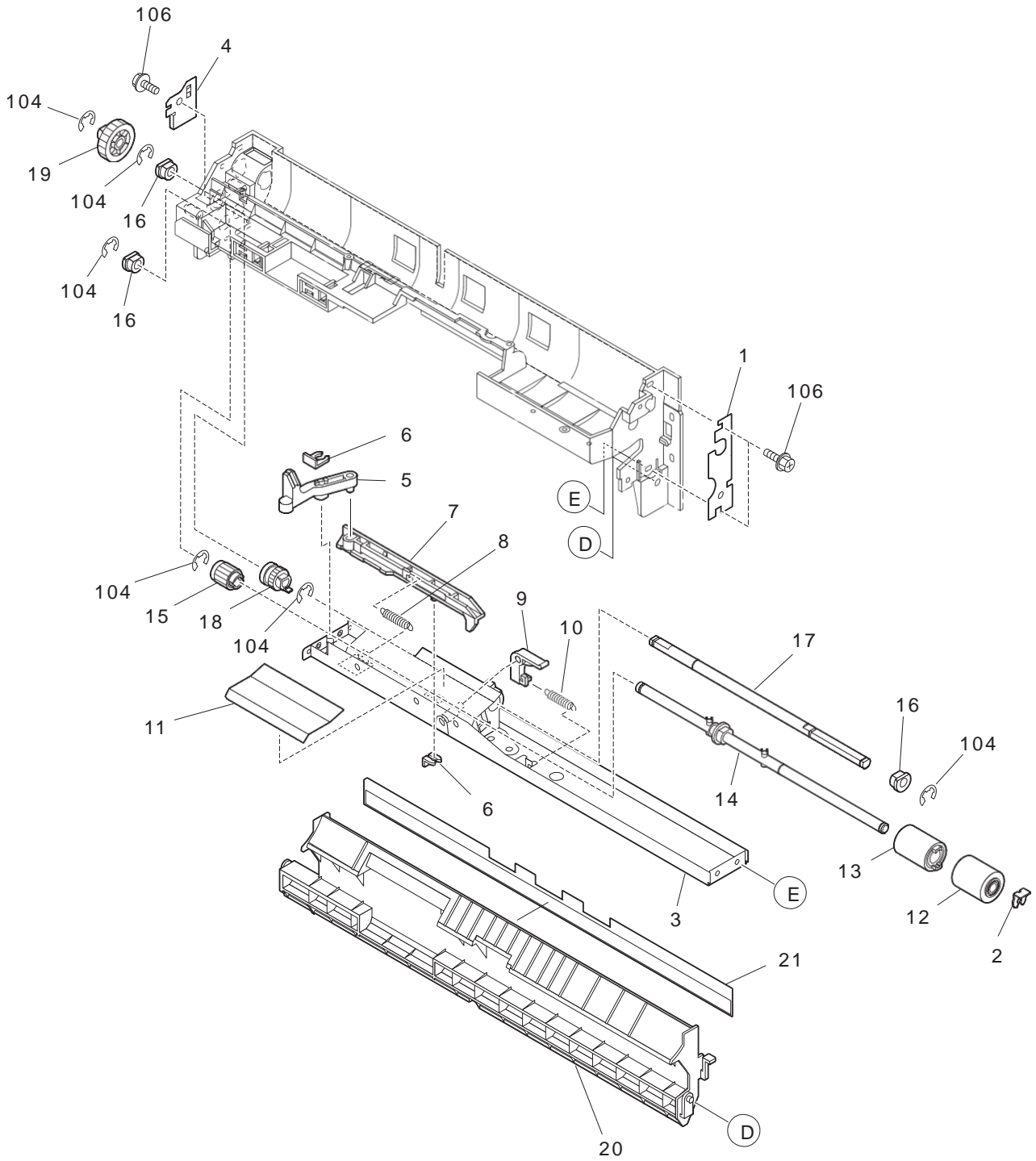
Oki Data Technical Support at 866.654.1725
for specific part numbers and part ordering information



ITEM No.	PART No.	PART NAME	Q'TY / PAGE	Q'TY / PACK	REMARKS
1		HSG-FEED-LCF	1	1/PP	
2		K-BKT-PICK-UP	1	1/P	
3		LEV-PICK-UP	1	1/P	
4		DCSOL-PICK-UP13.7	1	1/C	
5		WPIN30/10-BLK	1	10/P	
6		MYLAR-GUIDE-FED	1	1/P	
7		FEELER-PAPER	1	1/P	
8		PHD-H	2	1/C	
9		ROLLER-FEED-D	1	1/KP	
10		BUSH-6-3	2	5/P	
11		BUSH-8-1	1	5/P	
12		PLY/T-FEED-24T	1	1/P	
13		STOP-RING-6	1	10/P	
14		STAY-FEED	1	1/P	
16		BAND-SG-130	2	5/P	
17		CLP-H-1	1	5/P	
18		BRKT-SENSOR	1	1/P	
19		PHD-V	1	1/C	
20		PUSH-SW	1	1/C	
21		ARM-PICK-UP	1	1/P	
22		GUIDE-ARM-PICK	1	1/KP	
23		SPE-PRESS-PICK	1	5/P	
24		SHAFT-FEED	1	1/P	
25		ROLLER-CLUTCH	1	1/P	
26		GEAR-FEED-Z24	1	1/P	
27		GEAR-ROL-CLT	1	1/P	
28	53364110	ROL-PAPER-FED-F	1	1/P	
29		GEAR-IDL-PICK	1	1/P	
30	53364180	ROL-PICK-UP	1	1/P	
31		ARM-PICK-UP-SND	1	1/P	
32		STOP-RING-SEP	1	5/P	
33		WH-FEED-LCF	1	1/P	
101		TPHEX30X08-G-M	1	10/P	
102		BID30X04-GLD	2	10/P	
103		SCREW-SND-M3X3	1	10/P	
104		ERR040-BLK	2	10/P	
105		ERR060-BLK	1	10/P	
106		TPHEX30X08-S-P	5	10/P	
107		TPHEX30X10-G-M	2	10/P	
108		ERR-SILENCER	1	10/P	

This Illustrated Parts Manual is to be used for part identification. Part numbers for the most often used parts are listed. To obtain parts for items that do not list an associated part number contact:

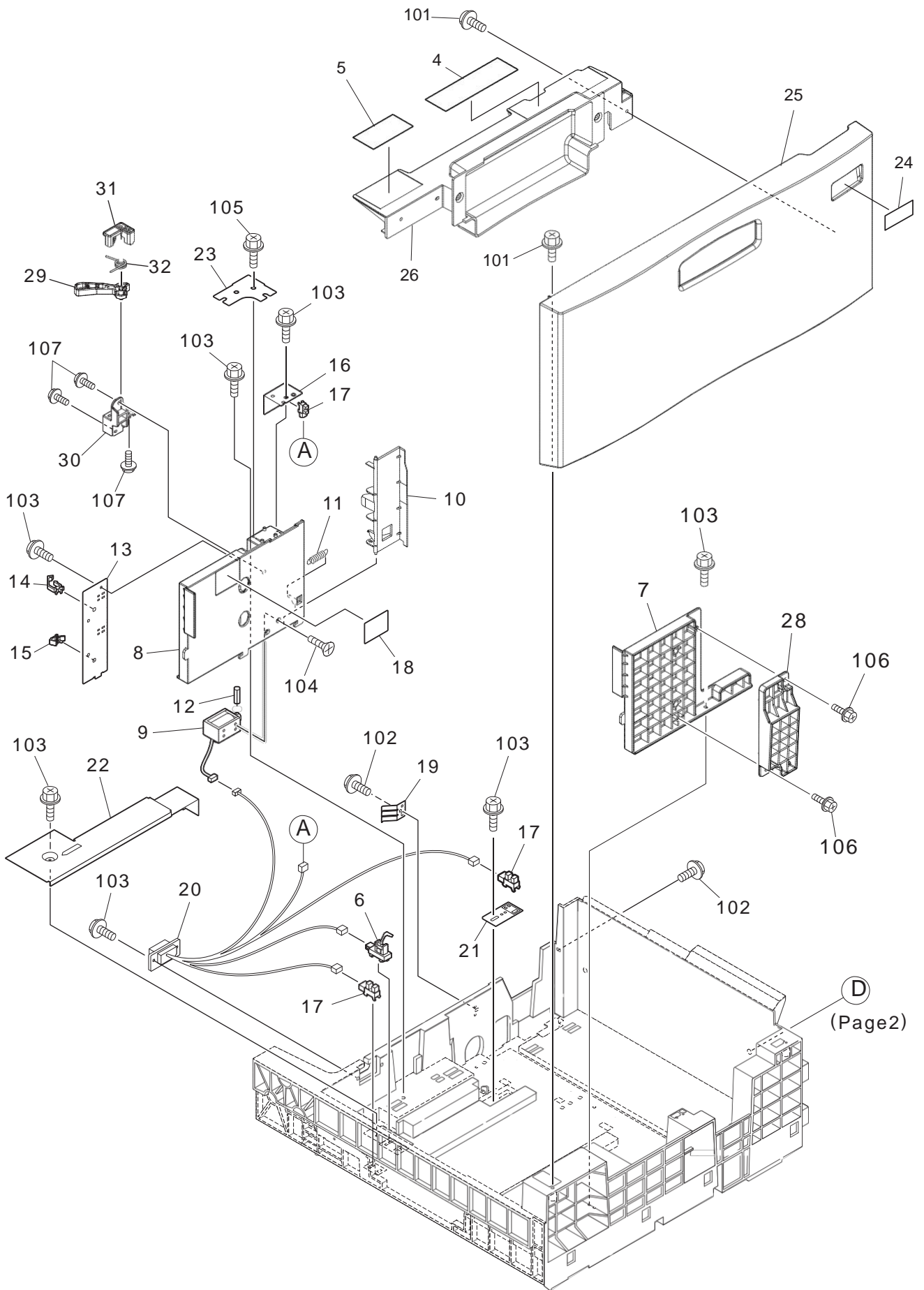
Oki Data Technical Support at 866.654.1725
for specific part numbers and part ordering information



ITEM No.	PART No.	PART NAME	Q'TY / PAGE	Q'TY / PACK	REMARKS
1		SPL-EARTH-FED-F	1	1/P	
2		STOP-RING-SEP	1	5/P	
3		ASY-STAY-SEP	1	1/P	
4		SPL-EARTH	1	1/P	
5		LEVER-PRESSURE	1	1/P	
6		STOP-RING-3	2	5/P	
7		LINK-RELEASE	1	1/P	
8		SPE-RELEASE	1	5/P	
9		LEV-PRESS-SEP	1	1/P	
10		SPE-PRESS-SEP	1	5/P	
11	53364120	GUIDE-SEP-BACK	1	1/P	
12		ROL-PAPER-FED-S	1	1/P	
13		TORQUE-LIMITER	1	1/P	
14		ASY-SFT-S-DRV-2	1	1/P	
15		GEAR-SEP-DRV-2	1	1/P	
16		BUSH-6-2	3	5/P	
17		SFT-SEP-DRV-1	1	1/P	
18		GEAR-SEP-DRV-1	1	1/P	
19		GEAR-SEP-INPUT	1	1/P	
20		GUIDE-FEED-OPEN	1	1/PP	
21		GUIDE-V	1	1/KP	
104		ERR040-BLK	6	10/P	
106		TPHEX30X08-S-P	4	10/P	

This Illustrated Parts Manual is to be used for part identification. Part numbers for the most often used parts are listed. To obtain parts for items that do not list an associated part number contact:

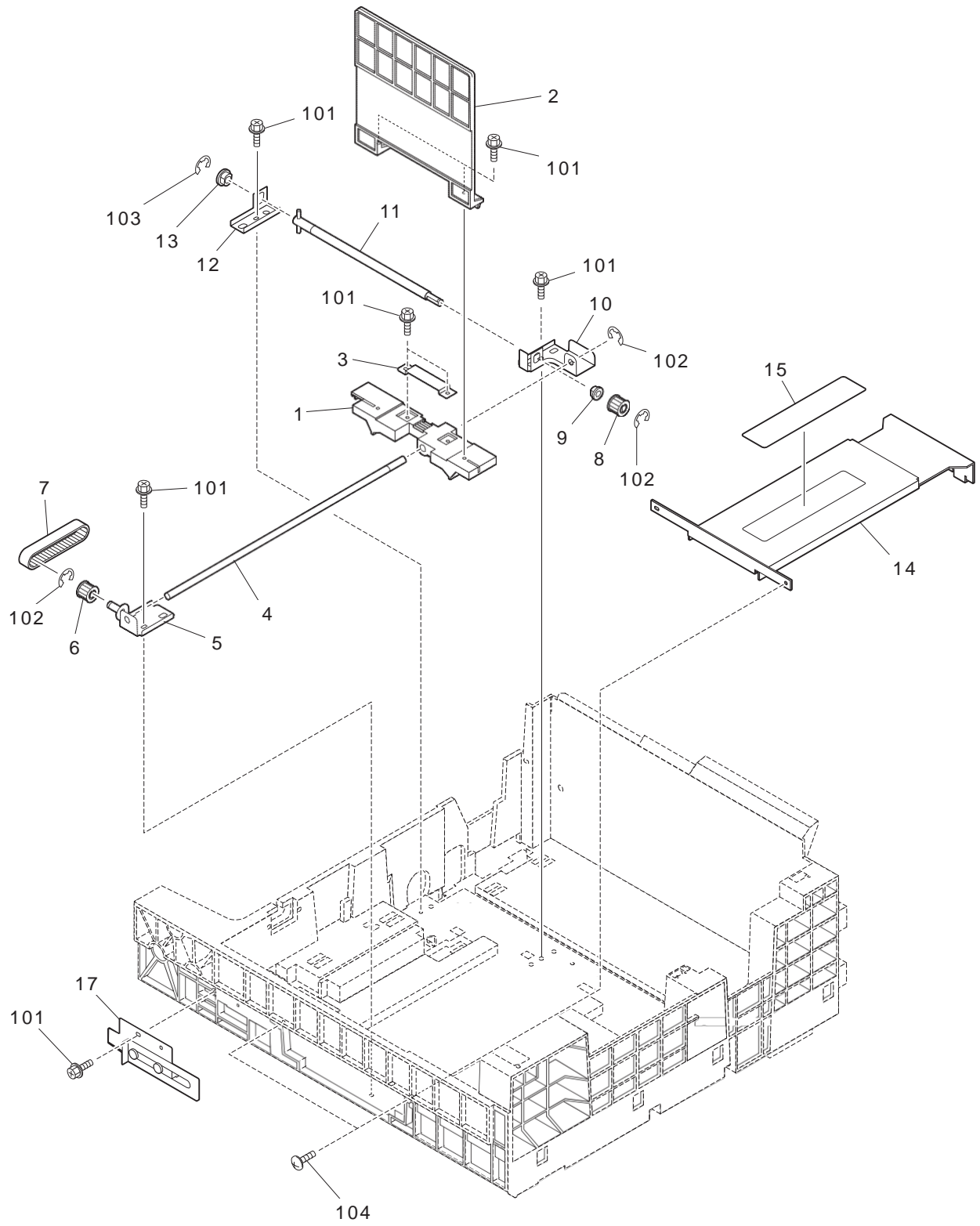
Oki Data Technical Support at 866.654.1725
for specific part numbers and part ordering information



ITEM No.	PART No.	PART NAME	Q'TY / PAGE	Q'TY / PACK	REMARKS
4		LBL-P-SET-MASH	1	1/KP	
5		LBL-TRAY-SET-F-MASH	1	1/KP	
6		PHD-ACT-390	1	1/C	
7		FENCE-SIDE-L-F	1	1/PP	
8		FENCE-SIDE-L-R	1	1/P	
9		DCSOL-24V-6.1N	1	1/C	
10		LEVER-TRAY-S	1	1/P	
11		SPE-030-040-0154	1	5/P	
12		WPIN30/10-BLK	1	10/P	
13		BRKT-P-G-L	1	1/P	
14		CLP-LWS-1S	1	5/P	
15		CLP-H-1	1	5/P	
16		BRKT-LEVER-TOP	1	1/P	
17		PHD-EE	3	1/C	
18		LBL-P-LIMIT	1	1/P	
19		SPL-EARTH-LCF	1	1/P	
20		WH-TRAY-MAIN	1	1/P	
21		BRKT-P-SIZE-SZ	1	1/P	
22		BRKT-COV-P-END	1	1/P	
23		BKT-FENCE-STOP	1	1/P	
24 A		SIZE-CST-450-A4	1	1/KP	
24 B		SIZE-CST-450-LT	1	1/KP	
25		COV-F-LCF-MASH	1	1/PP	
26		COV-F-IN-LCF-MASH-DVG	1	1/PP	
28 B		STPR-SIDE-FENCE-L-F	1	1/P	
29 B		STOPPER-LEVER	1	1/P	
30 B		BASE-LEVER-STOP	1	1/P	
31 B		BRKT-LEVER-STOP	1	1/P	
32 B		SPG-LEVER-STOP	1	1/P	
101		TPHEX30X10-G-M	9	10/P	
102		TPHEX30X08-S-P	2	10/P	
103		TPHEX30X10-G-M	7	10/P	
104		FLT-30X06	2	10/P	
105		SCREW-P-M3X10.3	1	10/P	
106 B		TPHEX30X10-G-M	2	10/P	
107 B		TPHEX30X10-G-M	3	10/P	

This Illustrated Parts Manual is to be used for part identification. Part numbers for the most often used parts are listed. To obtain parts for items that do not list an associated part number contact:

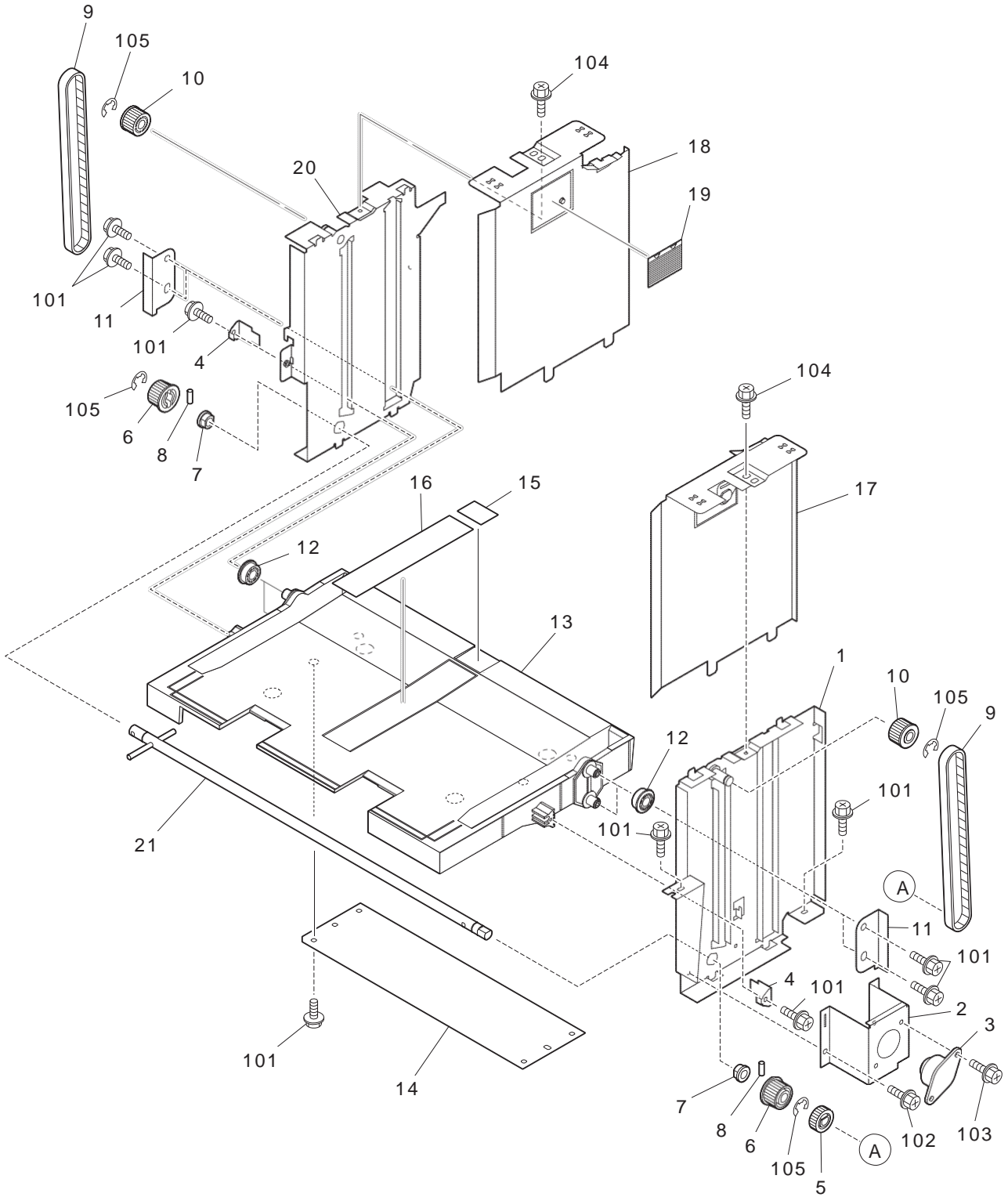
Oki Data Technical Support at 866.654.1725
for specific part numbers and part ordering information



ITEM No.	PART No.	PART NAME	Q'TY / PAGE	Q'TY / PACK	REMARKS
1		SLIDER-E-FENCE	1	1/P	
2		FENCE-E-TRAY	1	1/PP	
3		BRKT-STOP-BELT	1	1/P	
4		SFT-FENCE-E	1	1/P	
5		K-BKT-SLIDER-D3	1	1/P	
6		PLY-DRIVE-2	1	1/P	
7		BLT/T-S3M588	1	1/P	
8		PLY-DRIVE-1	1	1/P	
9		BUSH-6-3	1	5/P	
10		BRKT-SLIDER-D2	1	1/P	
11		ASY-SFT-SLID-D	1	1/P	
12		BRKT-SLIDER-D1	1	1/P	
13		BUSH-8-1	1	5/P	
14		BRKT-COV-BELT	1	1/P	
15		LBL-P-SET-TRY-L	1	5/P	
17		K-BKT-TRAY-STOP	1	1/P	
101		TPHEX30X10-G-M	8	10/P	
102		ERR040-BLK	3	10/P	
103		ERR060-BLK	1	10/P	
104		BID30X06-GLD	2	10/P	

This Illustrated Parts Manual is to be used for part identification. Part numbers for the most often used parts are listed. To obtain parts for items that do not list an associated part number contact:

Oki Data Technical Support at 866.654.1725
for specific part numbers and part ordering information



ITEM No.	PART No.	PART NAME	Q'TY / PAGE	Q'TY / PACK	REMARKS
1		K-GUIDE-SIDE-RF	1	1/P	
2		BRKT-DAMPER	1	1/P	
3		OIL-DAMPER	1	1/P	
4		BRKT-BELT-STOP	2	1/P	
5		GEAR-DUMP-Z18	1	1/P	
6		PLY-BRKT	2	1/P	
7		BUSH-8-1	2	5/P	
8		WPIN30/14-BLK	2	10/P	
9		BLT/T-B80S3M426	2	1/P	
10		PLY/T-3-020	2	1/P	
11		BRKT-ROL-STOP	2	1/P	
12		PLY-TRAY-ROL	4	1/P	
13		TRAY-TAN-LCF	1	1/PP	
14		PLT-BALANCER	1	1/P	
15		PAD-PLATE	1	5/P	
16		LBL-P-SET-TRY-R	1	1/KP	
17		K-FENCE-SIDE-RF	1	1/D	
18		K-FENCE-SIDE-RR	1	1/D	
19		LBL-P-LIMIT	1	1/P	
20		K-GUIDE-SIDE-RR	1	1/PP	
21		ASY-SFT-TRAY	1	1/P	
101		TPHEX30X10-G-M	12	10/P	
102		TPHEX30X08-S-P	2	10/P	
103		TPHEX40X08-G-P	2	10/P	
104		TPHEX30*06-G-P	2	10/P	
105		ERR060-BLK	4	10/P	

This Illustrated Parts Manual is to be used for part identification. Part numbers for the most often used parts are listed. To obtain parts for items that do not list an associated part number contact:

Oki Data Technical Support at 866.654.1725
for specific part numbers and part ordering information