

CX3535 / CX4545 MFP

KD-1027

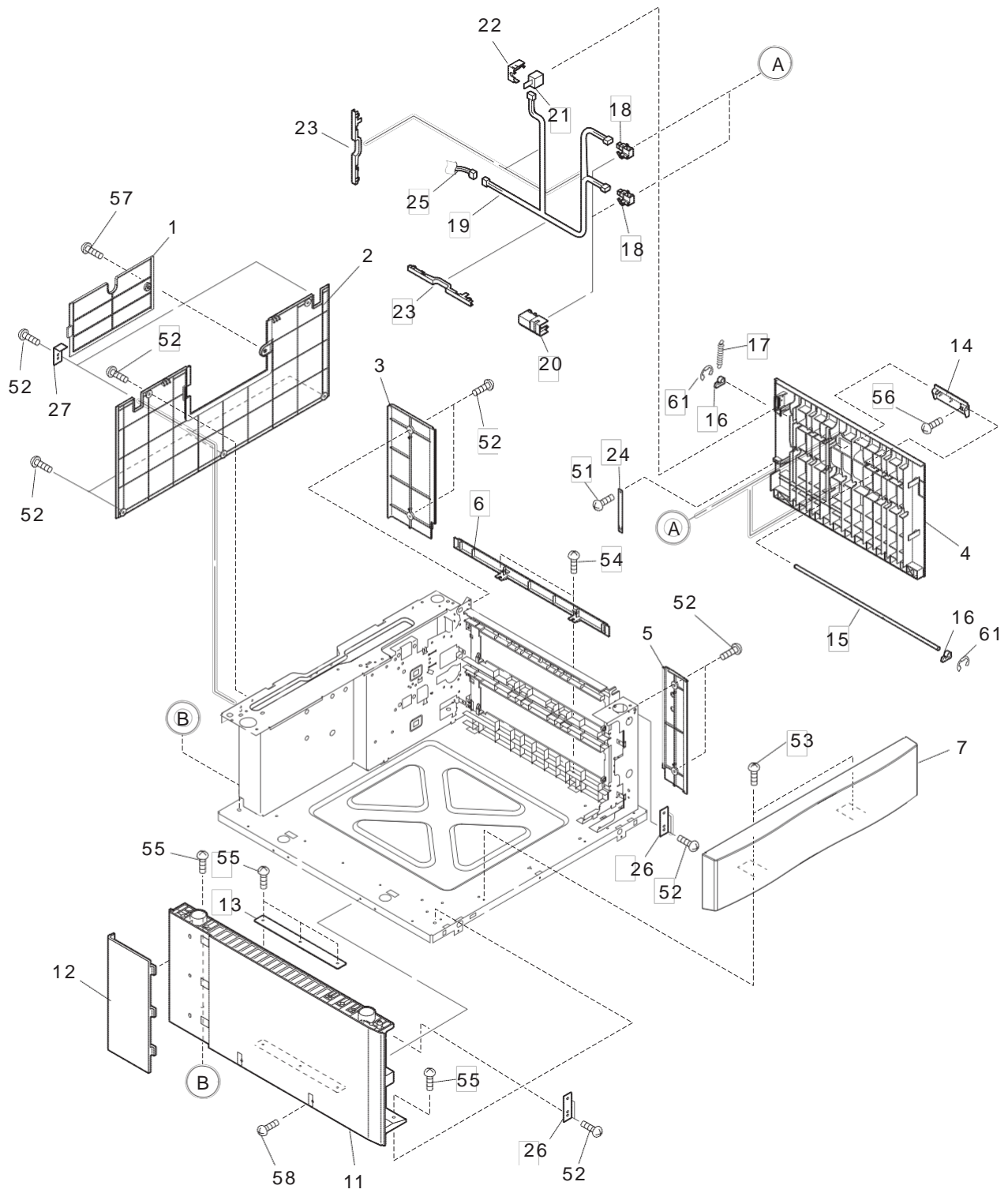
**Paper Feed Pedestal
Illustrated
Parts Manual**

This Illustrated Parts Manual is to be used for part identification. Part numbers for the most often used parts are listed. To obtain parts for items that do not list an associated part number contact:

Oki Data Technical Support at 866.654.1725
for specific part numbers and part ordering information

CONTENTS

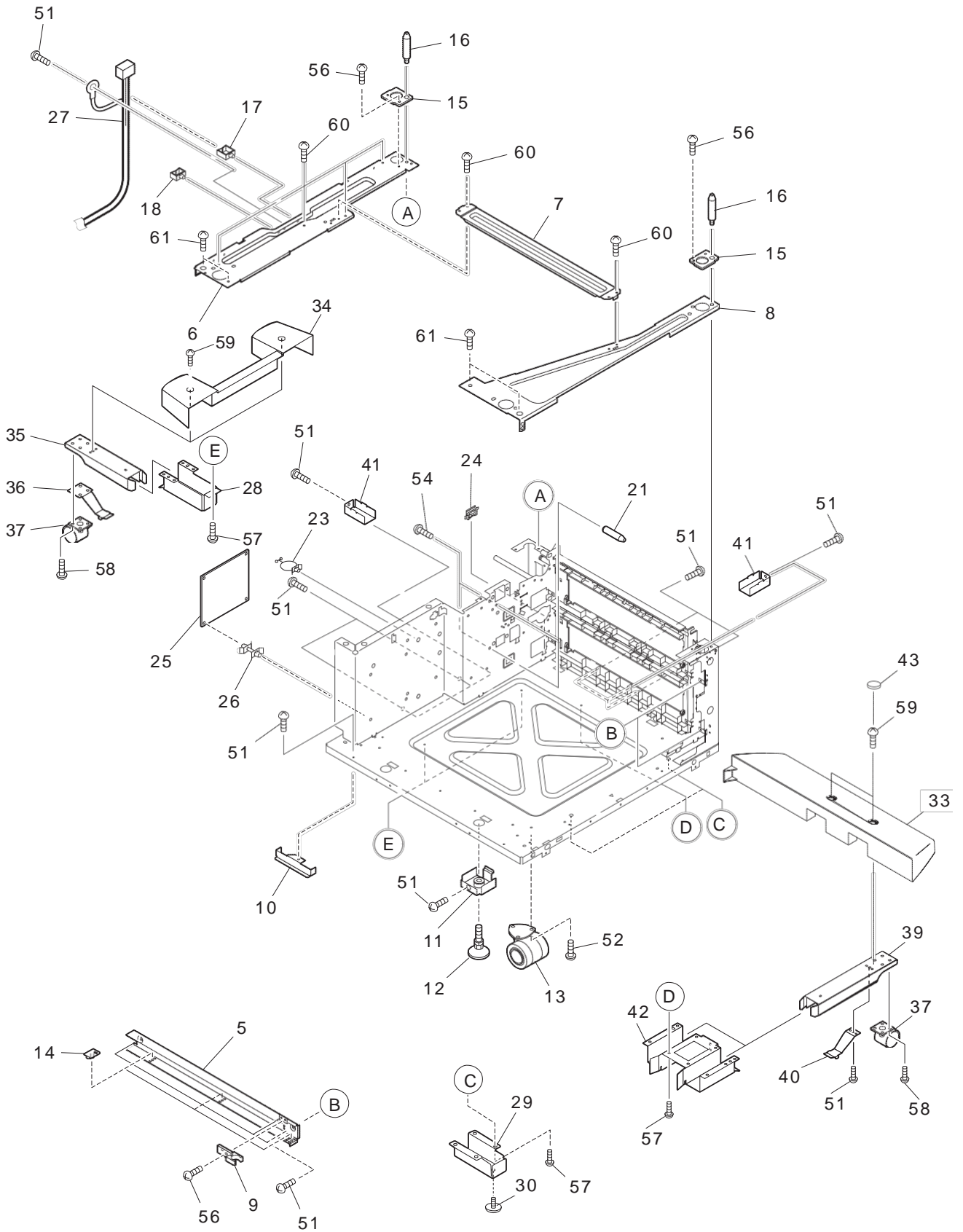
COVER-ASY	1
FRAME-ASY	2
DRIVE-ASY	3
FEED-ASY-1	4
FEED-ASY-2	5
DRAWER-ASY	6
Maintenance Kit	7



ITEM No.	PART No.	PART NAME	Q'TY / PAGE	Q'TY / PACK	REMARKS
1		COVER-REAR-CON-N	1	1/PP	
2		COVER-REAR-N	1	1/PP	
3		COVER-R-R_N	1	1/PP	
4		COVER-PAP-GUIDE-N	1	1/PP	
5		COVER-R-F_N	1	1/PP	
6		COVER-R-LOW_N	1	1/PP	
7		COV-F-PFP-MASH-D	1	1/PP	
11		COV-LEFT-PFP-EX	1	1/PP	
12		COVER-L-DSGN-EX	1	1/PP	
13		PLT-FOOT-LOCK	1	1/P	
14		KNOB-COVER-N	1	1/P	
15		SHAFT-HOOK	1	1/P	
16		HOOK-COVER	2	1/P	
17		SPE-HOOK	1	5/P	
18		SNSR-PFP-FED-672	2	1/C	
19		HRNS-PFP-FED-CV-576	1	1/P	
20		COVER-P-SENSOR	2	1/P	
21		SP-CS3A-B2BA	1	1/D	
22		COVER-D-SENSOR	1	1/P	
23		COVER-WIRING	3	1/P	
24		STOPPER-STRING	1	5/P	
25		HRNS-PFP-CV-576	1	1/P	
26		BRKT-JOINT-P-F	2	1/P	
27		BRKT-JOINT-P-R	2	1/P	
51		S/TPP/FHEXM-3X8-NI	1	10/P	
52		S/TPS/FHEXM-3X6-ZU3	18	10/P	
53		SCR-M3X6BISR-NI	2	10/P	
54		S/TPS/PAN-3X6-ZU3	3	10/P	
55		S/TPD3/FHEXM-3X8-ZU3	5	10/P	
56		S/PAN/SWWP-M3X6-ZU3	1	10/P	
57		S/TPP/BRZ-3X10-NC	1	10/P	
58		S/TPS/FHEXM/R-3X8-ZU3	2	10/P	
61		RR/E-4-SS	2	10/P	

This Illustrated Parts Manual is to be used for part identification. Part numbers for the most often used parts are listed. To obtain parts for items that do not list an associated part number contact:

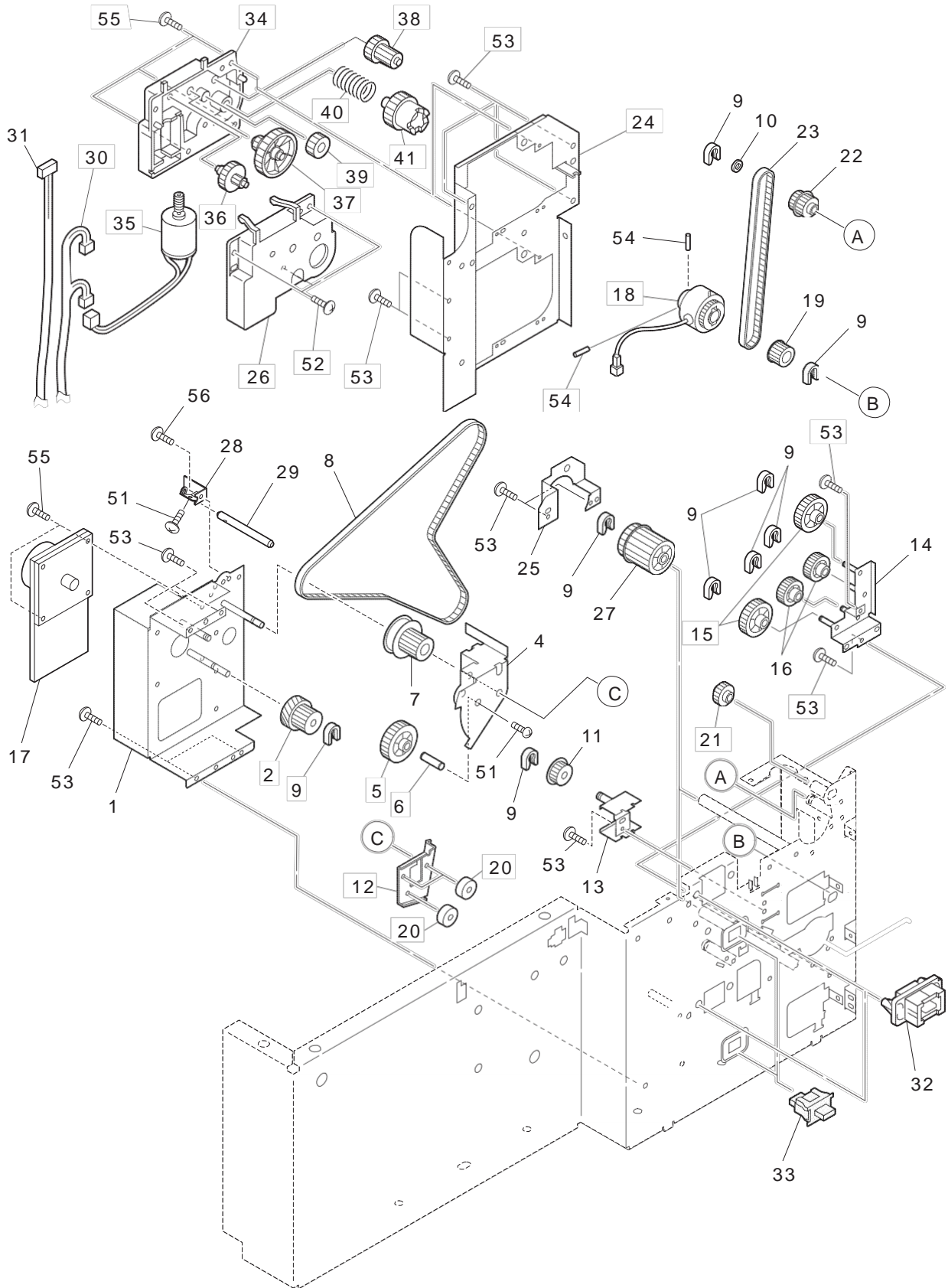
Oki Data Technical Support at 866.654.1725
for specific part numbers and part ordering information



ITEM No.	PART No.	PART NAME	Q'TY / PAGE	Q'TY / PACK	REMARKS
5		RAIL-CASSETTE-MASH	2	1/P	
6		STAY-TOP-R-PFP	1	1/P	
7		STAY-TOP-SUP	1	1/P	
8		STAY-TOP-F-PFP	1	1/P	
9		CATCH-CST-N2	2	1/P	
10		BRKT-HANDRING	4	1/P	
11		ASYS-BRKT-ADJ-PFP	4	1/P	
12		FOOT-PFP-ADJ	4	1/P	
13		CASTER-TKS-51	4	1/P	
14		SLIDER-CST	6	1/P	
15		PLT-SPACER	2	1/P	
16		PIN-LOCAT-PFP	2	5/P	
17		WS-2U	1	5/P	
18		WS-1U	1	5/P	
19		BRKT-CASE-DUMP	2	1/P	
20		COVER-DUMP	2	1/PP	
21		STUD-280	2	1/P	
22		D/H-F-CST-360	2	1/C	
23		RLWC-2SV0	6	5/P	
24		EDS-0607M	1	5/P	
25		PWA-F-PFP-646	1	1/SB	
26		SPLSN-8U	4	5/P	
27		HRNS-LGC-PFP-646	1	1/P	
28		BRKT-ARM-HLD-FR	2	1/P	
29		ASYS-BRKT-FOOT-PFP	2	1/P	
30		ADJ-FOOT-40	2	1/P	
31		HRNS-D/H-PFP-576	1	1/P	
33		COVER-FOOT-SIDE-N	1	1/PP	
34		COVER-FOOT-REAR-N	1	1/PP	
35		ASYS-BRKT-ARM-FR	4	1/P	
36		SPL-ARM-LOCK-FR	2	1/P	
37		CASTOR-FOOT-PFP-K	4	1/P	
39		ASYS-BRKT-ARM-SD	2	1/P	
40		SPL-ARM-LOCK-SD	2	1/P	
41		BRKT-SPACER-PFP	4	1/P	
42		BRKT-ARM-HLD-SD	1	1/D	
43		LID-SCREW-PFP-N	2	1/P	
51		S/TPS/PAN-3X6-ZU3	22	10/P	
52		S/TPD3/FHEXM-4X8-ZU3	26	10/P	
53		SCR-M3X6BISR-NI	2	10/P	
54		S/PAN/SWWP-M3X6-ZU3	2	10/P	
56		S/TPD3/FHEXM-3X8-ZU3	4	10/P	
57		S/TPD3/FHEXM-4X6-ZU3	26	10/P	
58		S/TPS/PAN-4X8-ZU3	16	10/P	
59		S/TPS/BID-3X6-ZU3	5	10/P	
60		S/TPS/BID-3X6-NI	8	10/P	
61		S/TPP/PAN-3X8-NI	4	10/P	

This Illustrated Parts Manual is to be used for part identification. Part numbers for the most often used parts are listed. To obtain parts for items that do not list an associated part number contact:

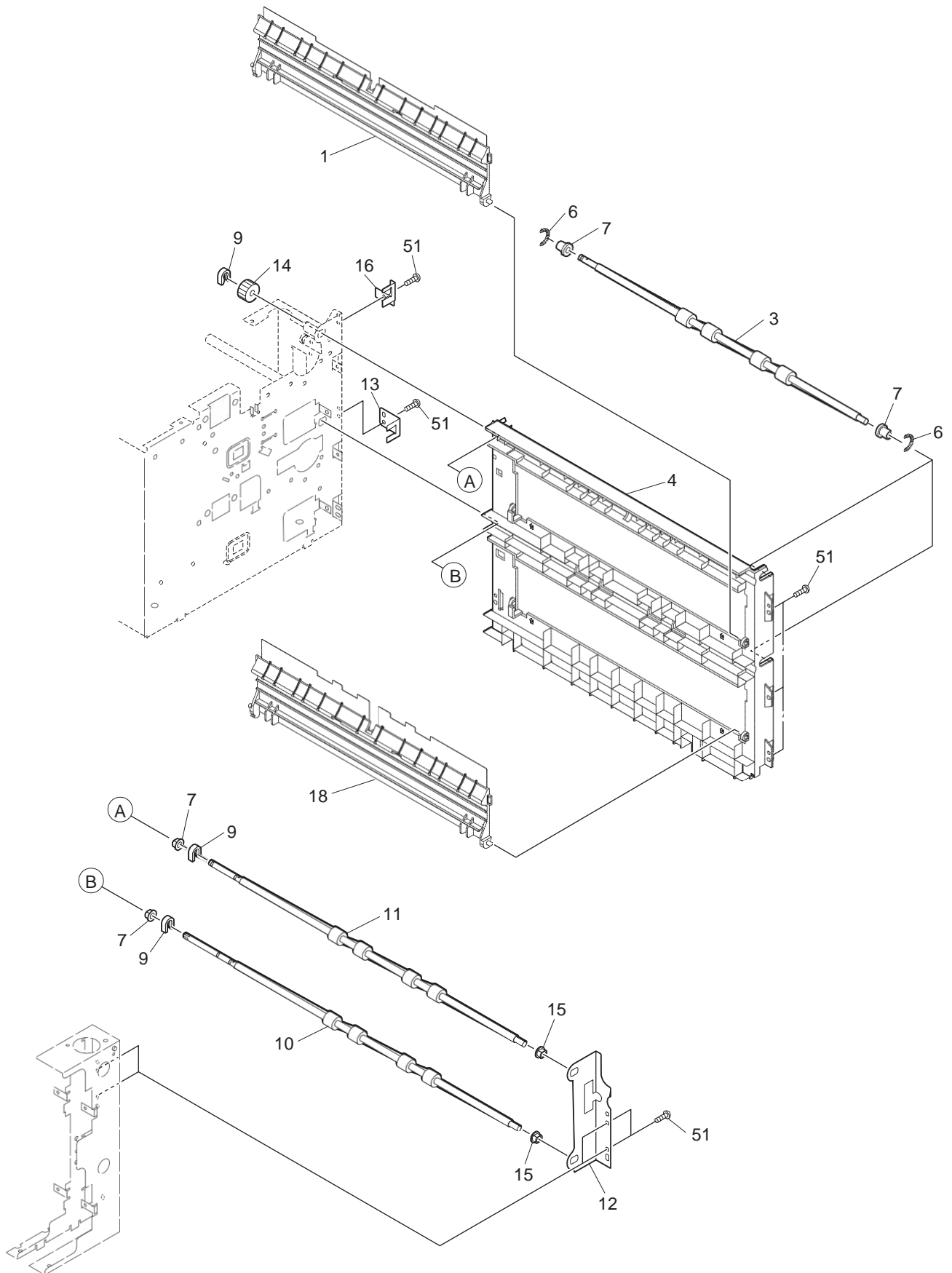
Oki Data Technical Support at 866.654.1725
for specific part numbers and part ordering information

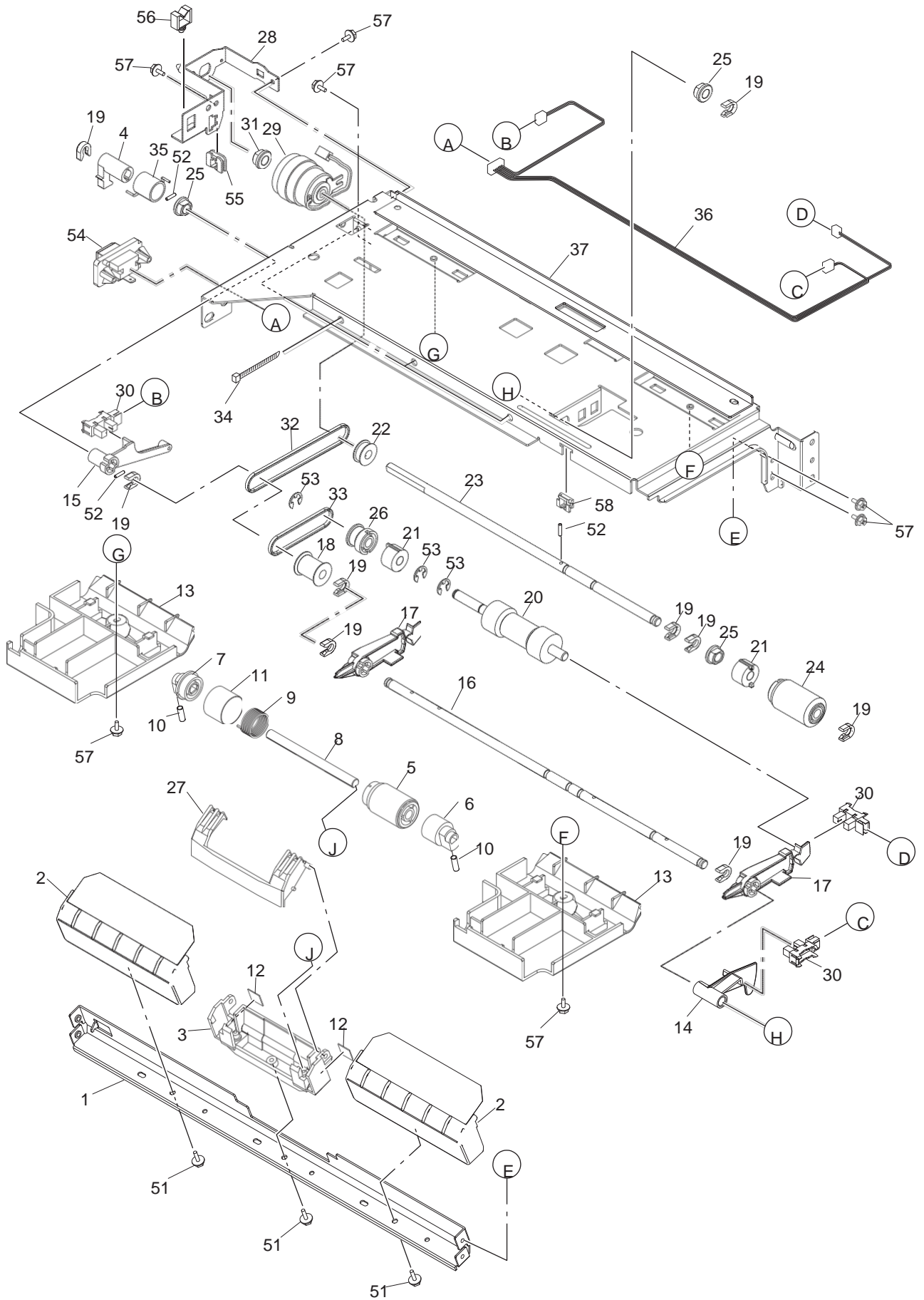


ITEM No.	PART No.	PART NAME	Q'TY / PAGE	Q'TY / PACK	REMARKS
1		ASYS-BRKT-MOTOR-MASH	1	1/P	
2		GG10S018/05H048	1	1/P	
4		BRKT-SHIFT-LVR	1	1/P	
5		GEAR-10S031-06	1	1/P	
6		SFT-SHIFT-185	1	1/P	
7		GP10S018/3GT031	1	1/P	
8		BLT/T-480-3GT-6	1	1/P	
9		STOP-RING-6-5	11	5/P	
10		HWAS-PFP-SUS	1	10/P	
11		PLY-TENSION	1	1/P	
12		BRKT-MTR-SUP	1	1/P	
13		ASYS-BRKT-TENS-1	1	1/P	
14		ASYS-BRKT-IDL-GEAR	1	1/P	
15		GEAR-10S028-06	2	1/P	
16		GEAR-10S020-06	2	1/P	
17		MOTR_D-FUSER-450	1	1/C	
18		CLUCH-33C-6-CCW-GEAR22	1	1/D	
19		K-PLY-2GT027	1	1/P	
20		WAS-MTR	3	10/P	
21		GEAR-10S016-06	1	1/P	
22		GP10S016/2GT027	1	1/P	
23		BLT/T-202-2GT-6	1	1/P	
24		BRKT-GEAR-BOX	1	1/P	
25		BRKT-FED-LOC-PFP	2	1/P	
26		CASE-TRY-DEV-F	2	1/PP	
27		GP10S028-3GT031-PFP	2	1/P	
28		BRKT-KNOB-PIN	1	1/P	
29		SFT-LEVER	1	1/P	
30		HRNS-PFP-TM-MM-672	1	1/P	
31		HRNS-PFP-FEDUNT-576	1	1/P	
32		55533-1219	2	5/P	
33		CS1A-B2CA	2	1/D	
34		CASE-TRY-DEV-R	2	1/D	
35		MOTR.D-TRAY-CST	2	1/D	
36		G05H-45/G05S-15	2	1/P	
37		GER-TRAY-80-13	2	1/P	
38		GER-TRAY-24-14	2	1/P	
39		GER-TRAY-21	2	1/P	
40		SPC-CPG-LIFT	2	1/P	
41		CPG-LIFT-28	2	1/P	
51		S/PAN/SWWP-M3X6-ZU3	2	10/P	
52		S/TPP/BRZ-3X10-NC	6	10/P	
53		S/TPS/PAN-3X6-ZU3	17	10/P	
54		S/SET/K-M3X4-B	2	10/P	
55		S/TPD3/FHEXM-3X10-ZU3	8	10/P	
56		SCR-M3X6BISR-NI	1	10/P	

This Illustrated Parts Manual is to be used for part identification. Part numbers for the most often used parts are listed. To obtain parts for items that do not list an associated part number contact:

Oki Data Technical Support at 866.654.1725
for specific part numbers and part ordering information

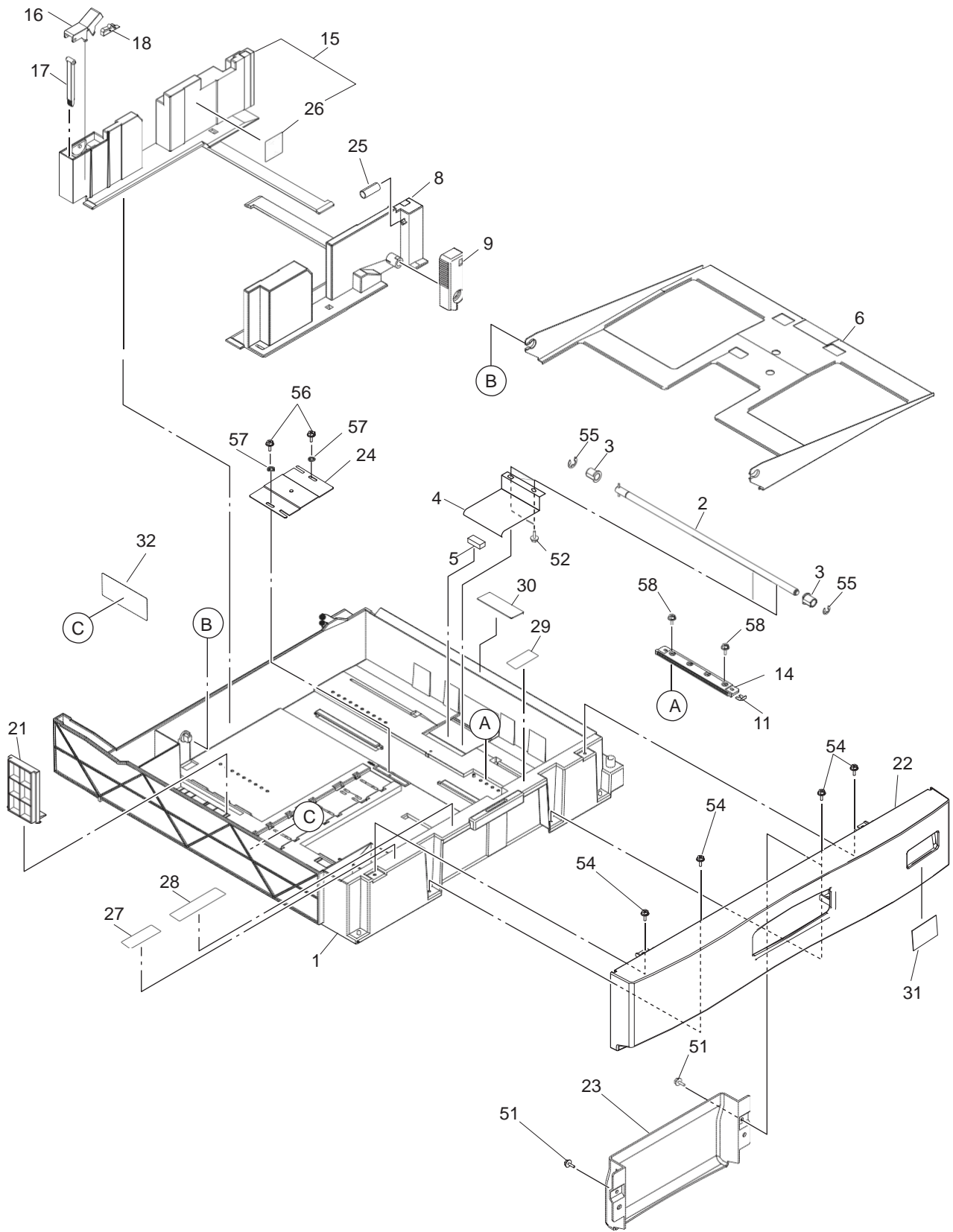




ITEM No.	PART No.	PART NAME	Q'TY / PAGE	Q'TY / PACK	REMARKS
1		BRKT-ROL-SEP	1	1/P	
2		ASYS-GUIDE-P-SEP	2	1/KP	
3		HLDR-SEP-ROL-DM	1	1/P	
4		LEVER-RLR-PICK	1	1/P	
5		ASYS-ROLL-SPT	1	1/P	
6		ARBOR-SPT-F	1	1/P	
7		ARBOR-SPT-R	1	1/P	
8		SFT-SEP-AT	1	1/P	
9		SPR-1.0-15.60RF	1	5/P	
10		SPC055-045-01525	2	5/P	
11		COV-SPE/ARBOR	1	1/P	
12		CHIP-HLDR-SEP	2	1/P	
13		GUIDE-P-FEED	2	1/P	
14		ACTR-EMPTY-PPR	1	1/P	
15		ARM-FEED-UNIT	1	1/P	
16		SFT-DRV-PICK	1	1/P	
17		ARM-RLR-PICK-380	2	1/P	
18		PLYT-PICK-20	1	1/P	
19		STOP-RING-6-5	9	5/P	
20		ROLLER-PICK-N	1	1/P	
21		CLUTCH-6-L	2	1/P	
22		PLY-20-2M	1	1/P	
23		SHAFT-ROL-FEED-380	1	1/P	
24		K-ROLL-FEED	1	1/P	
25		BUSH-6-POM	3	5/P	
26		PLYT-20-ROL-2G	1	1/P	
27		LEV-ROL-SEP-DM	1	1/P	
28		ASYS-BRKT-CLT-380	1	1/P	
29		CLUTCH-G28-06D-30AK	1	1/D	
30		GP1A73ARJ00F	3	1/P	
31		BUSH-6-NU4	1	1/P	
32		BLT/T-194-2GT-2	1	1/P	
33		BLT/T-124-2GT-2	1	1/P	
34		T18R	4	5/P	
35		SPR-LVR-PICK	1	1/P	
36		HRNS-PFP-FED-380	1	1/P	
37		ASYS-BRKT-FEED-UNIT	1	1/PP	
51		S/TPP/FHEXM-3X8-NI	3	10/P	
52		P/PRL/AH7-2X8-SS	3	10/P	
53		RR/E-5-SS	3	10/P	
54		54702-1219	1	5/P	
55		ES-0505	1	5/P	
56		MSB-1207	1	5/P	
57		S/TPS/PAN-3X6-ZU3	8	10/P	
58		EDS-0607M	1	5/P	
59		S/TPD3/FHEXM-3X8-ZU3	1	10/P	

This Illustrated Parts Manual is to be used for part identification. Part numbers for the most often used parts are listed. To obtain parts for items that do not list an associated part number contact:

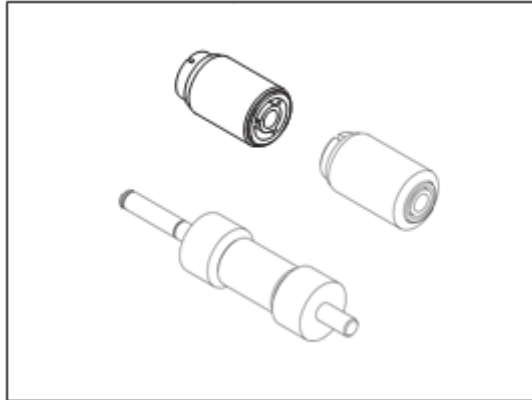
Oki Data Technical Support at 866.654.1725
for specific part numbers and part ordering information



ITEM No.	PART No.	PART NAME	Q'TY / PAGE	Q'TY / PACK	REMARKS
1		CASE-CST-N_PW	1	1/PP	
2		K-SFT-LIFT-TRAY	1	1/P	
3		BUSH-SFT-LIFT	2	5/P	
4		LEVER-LIFT-TRAY	1	1/P	
5		CUSH-LVR-LIFT	1	5/P	
6		ASY-TRAY-CST-AT/DM	1	1/PP	
8		ASYS-WALL-SIDE-F-TEC	1	1/PP	
9		LVR-ADJUST-WALL-MG	1	1/P	
11		SPACER-RACK-CST	1	1/P	
14		PLATE-RACK-CST	1	1/P	
15		ASYS-WALL-SIDE-R-SV-TEC	1	1/PP	
16		LEVER-LOCK-WALL-RER	1	1/P	
17		LOCK-WALL-R	1	1/P	
18		SPL-LOCK-WALL-R	1	1/P	
21		WALL-CSSTT-END	1	1/P	
22		COV-CSSTT-450-D	1	1/PP	
23		COV-CSSTT-HNDL-450	1	1/PP	
24		ASYS-PL-PINION-TRY	1	1/P	
25		SPC-LVR-WALL-F	1	1/P	
26		LBL/O-P-MAX	1	5/KP	
27		LBL_O-PAPER-2	1	1/KP	
28		LBL_O-GUIDE-2	1	1/KP	
29		LBL_O-GUIDE-CONP-450	1	1/P	
30		SHEET-CST	1	1/KP	
31 A		SIZE-CST-450-LT	1	1/KP	
31 B		SIZE-CST-450-A4	1	1/KP	
32		LBL_O-LD-2	1	1/KP	
51		S/TPP/BRZ-3X6-ZU3	2	10/P	
52		S/BID-M3X8-NI	2	10/P	
54		S/TPP/FHEXM-3X8-NI	9	10/P	
55		RR/E-7-SS	2	10/P	
56		S/TPP/BID-3X8-NI	2	10/P	
57		W/TH/A-3-SS	2	10/P	
58		S/TPP/BID-3X6-NC	2	10/P	

This Illustrated Parts Manual is to be used for part identification. Part numbers for the most often used parts are listed. To obtain parts for items that do not list an associated part number contact:

Oki Data Technical Support at 866.654.1725
for specific part numbers and part ordering information



	58287601	Maintenance Kit			
--	----------	-----------------	--	--	--

